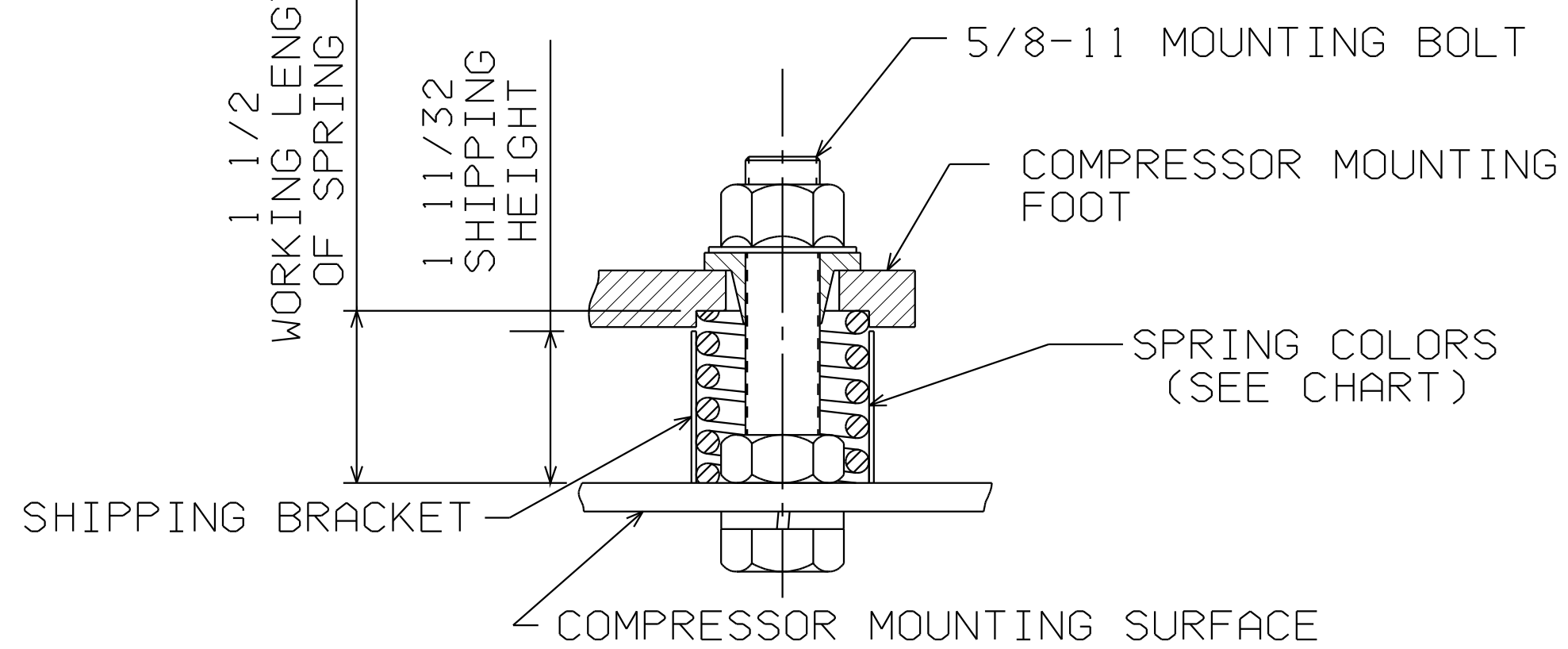


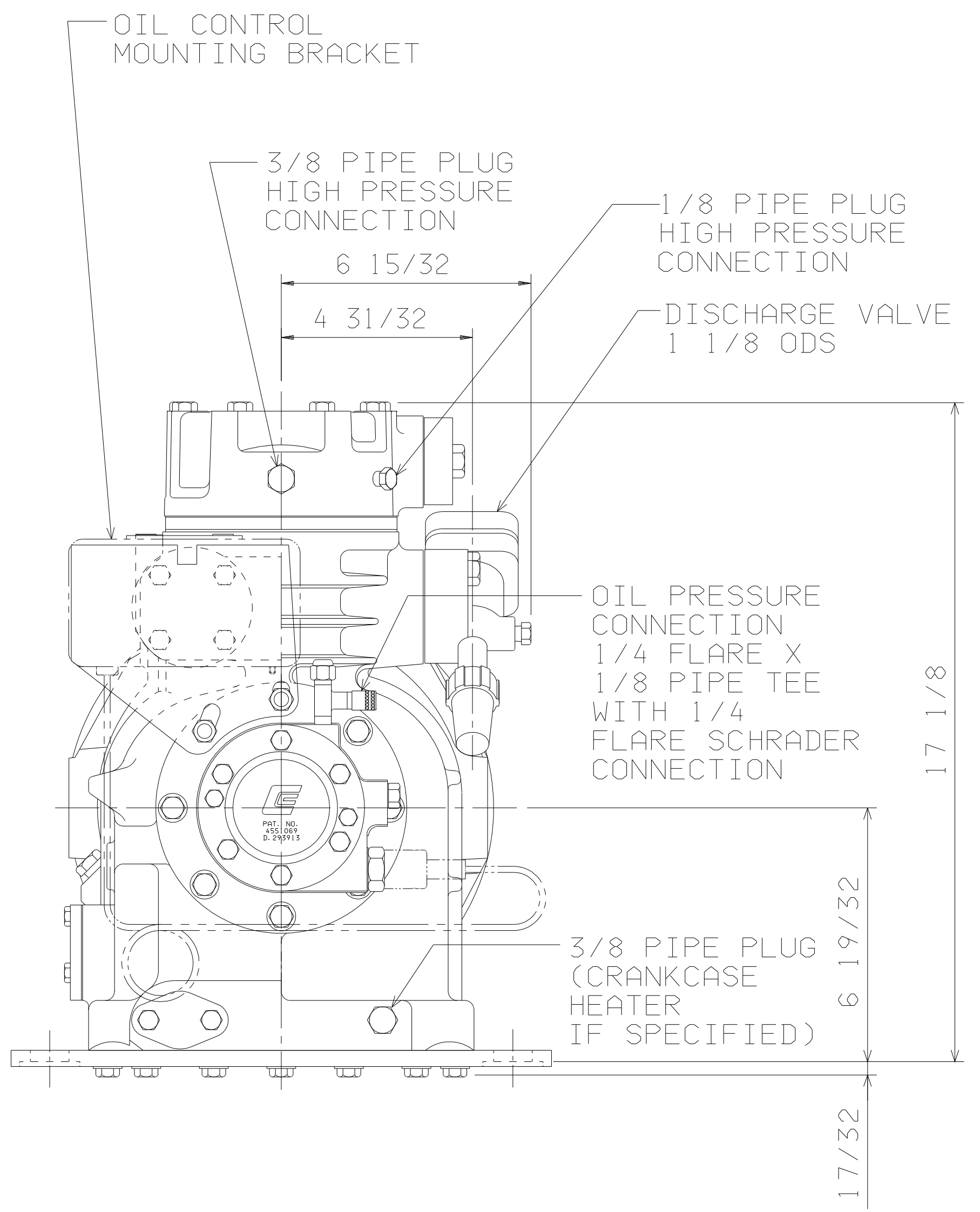
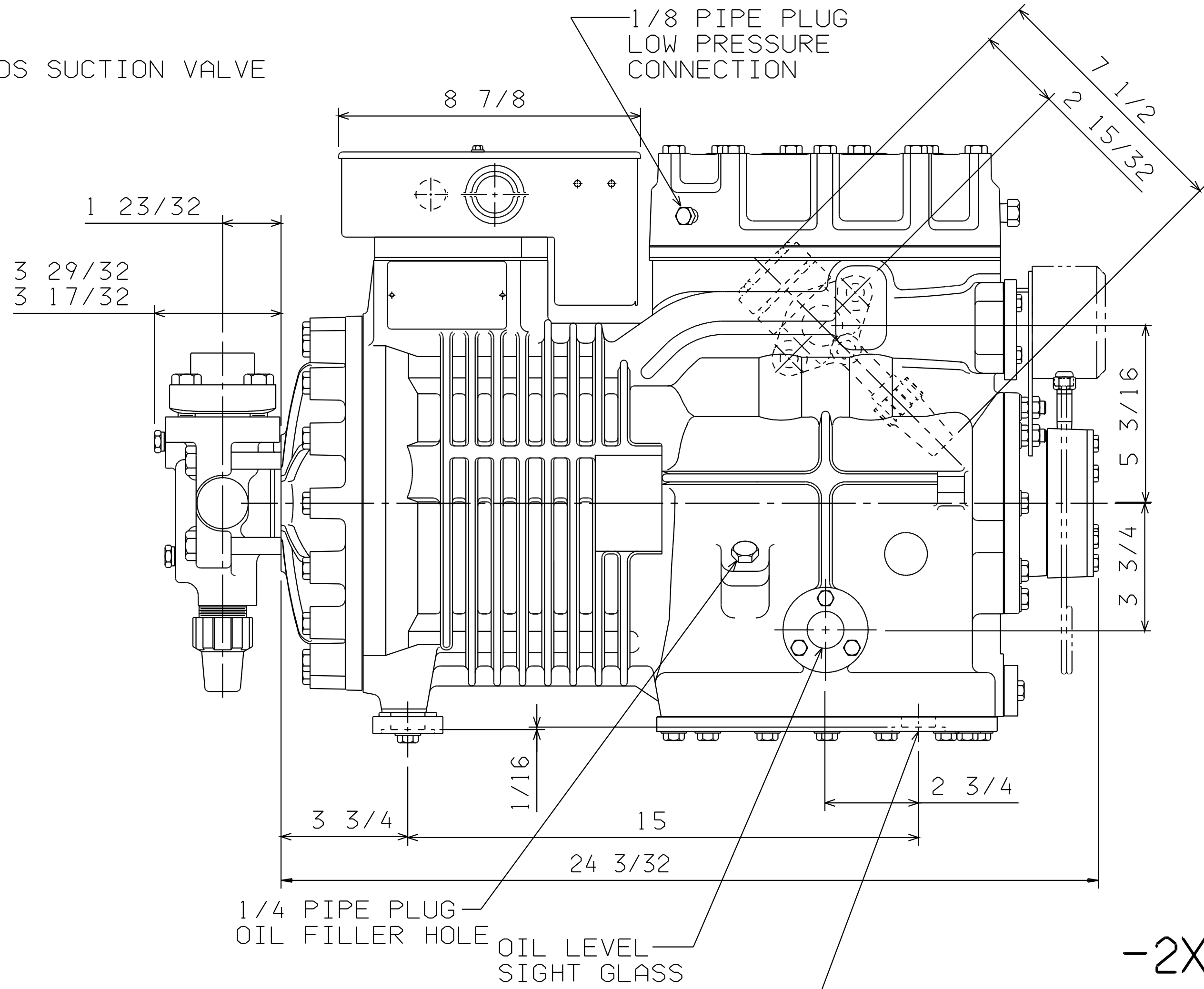
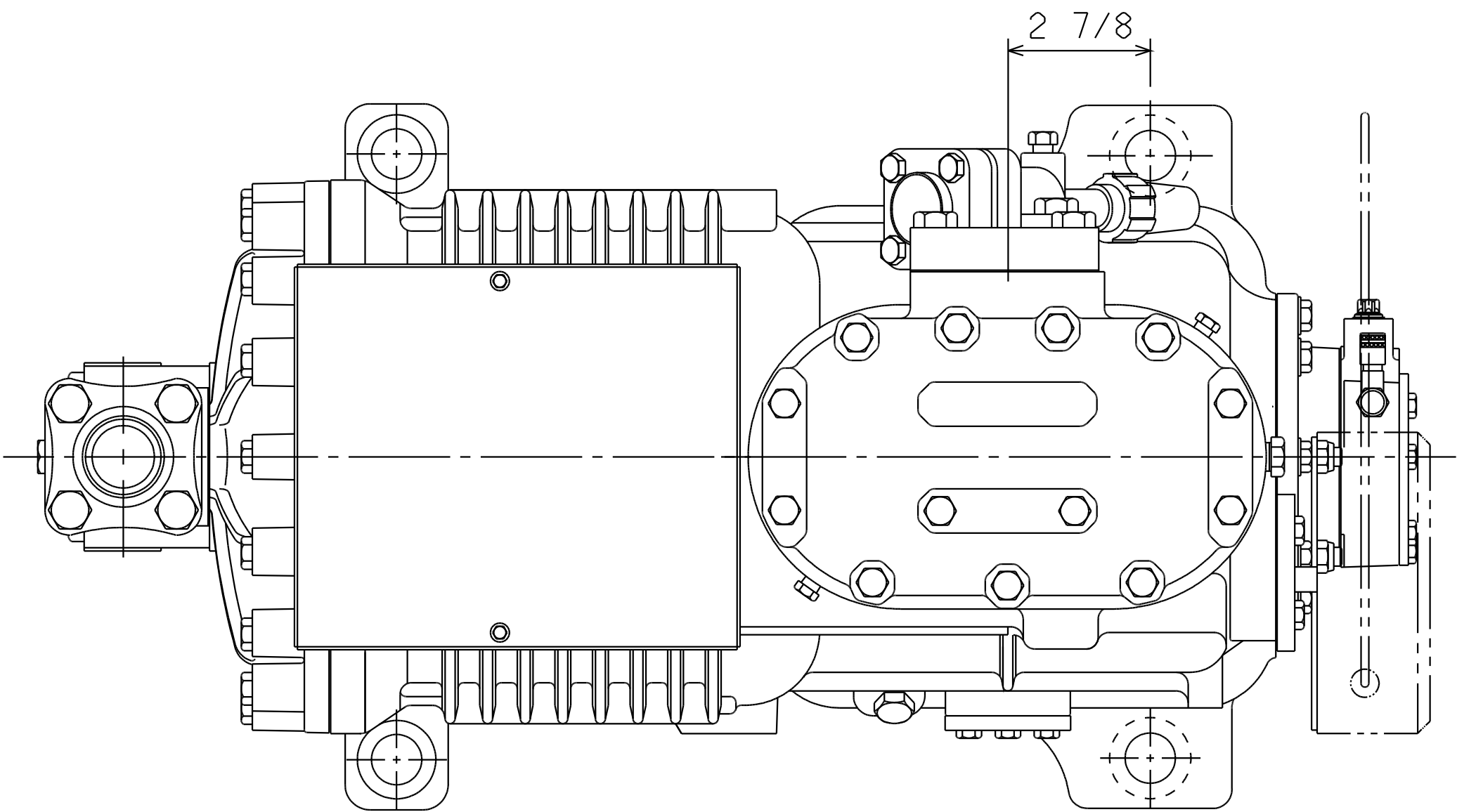
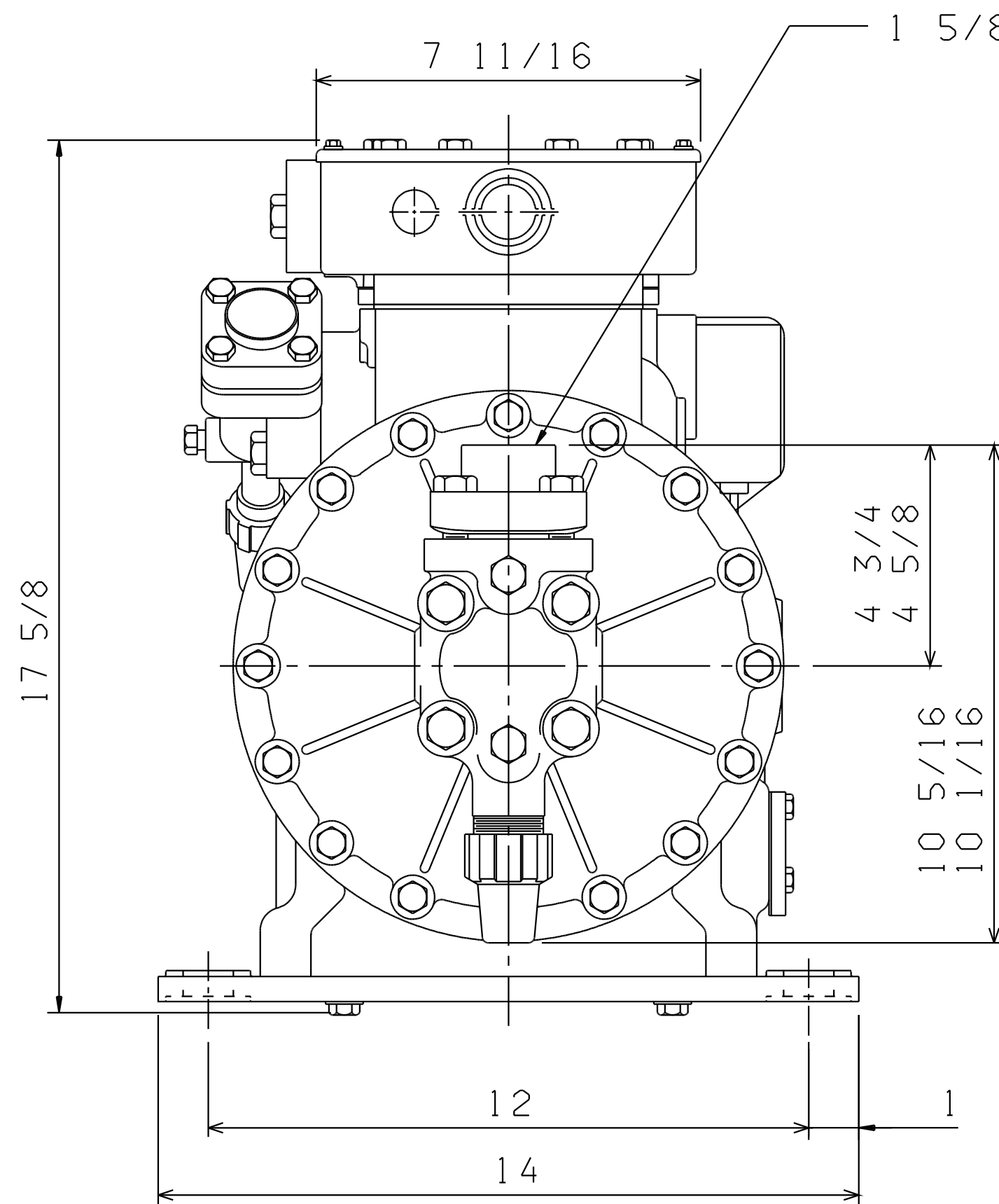
MODEL	SPRING COLORS	
	CYLINDER END	MOTOR END
9RS1-1015-TSU	WHITE	PURPLE
9RS1-1505-ES*,FS*	RED	YELLOW
9RS1-150*-TSC	RED	YELLOW
9RS2-0765-ESL	PURPLE	PURPLE

SPECIFICATIONS	
ES NO.	DESCRIPTION

NOTE:  
 1 ALL TOLERANCES ARE  $\pm 3/32$ , EXCEPT INDUSTRY STANDARDS APPLY TO VALVES AND FITTINGS.



COMPRESSOR MOUNTING PARTS



-2XX SERIES

1 DIAMETER THRU  
 1 9/16 DIAMETER  
 COUNTERBORE 1/8 DEEP  
 4 PLACES

THIRD ANGLE PROJECTION

**Copeland**

ALLOWABLE TOLERANCES UNLESS OTHERWISE SPECIFIED ON THIS DRAWING OR IN COPELAND ENGINEERING SPECIFICATION FOR MATERIAL ARE AS FOLLOWS:  
 2-PLACES  $\pm$   
 3-PLACES  $\pm$   
 ANGULAR TOLERANCE  $\pm$  1

NOTICE  
 THIS DRAWING AND THE INFORMATION CONTAINED HEREIN ARE THE EXCLUSIVE PROPERTY OF COPELAND. IT SHALL BE RETURNED TO COPELAND UPON DEMAND AND SHALL NOT BE REPRODUCED IN WHOLE OR IN PART, DISCLOSED TO ANYONE ELSE OR USED WITHOUT THE WRITTEN CONSENT OF COPELAND.

31-0502-011	1	REDRAWN WITH CHANGES	05-21-02	BF	DE
31-0296-026		RELEASED	3-25-97	BF	
CHANGE NOTICE NO.	REV. NO.	REVISIONS	DATE	BY	CHK'D
MATERIAL SPECIFICATIONS	DRAWN BY	CHECKED BY	APPROVED BY	SCALE	SUPERSEDES DWG. NO.
	BF	DE	DATE	HALF	497-0254-00-4
	05-21-02	03-15-06	DATE	DO NOT SCALE THIS DRAWING	DATED 3-25-97
TITLE	DRAWING NUMBER		REV. NO.		
REF DWG-COPE COMP ASSM	497-0254-00		0	DWG SIZE 4	