



The new degree of comfort.™



Residential Electric
Professional *Prestige*
Hybrid Water Heaters

Professional *Prestige*® Hybrid Electric is the most efficient water heater available – with up to \$4,000 in lifetime savings and less than 2 year payback*

Efficiency

- High 3.50 EF reduces operating cost \$404 annually compared to a standard 50-gallon electric model
- ENERGY STAR® rated

Performance

- Delivers hot water faster than most standard electric water heaters – 70 gallons first-hour delivery for 50-gallon model, 78 gallons FHD for 65-gallon model and 90 gallons FHD for 80-gallon model
- Ambient operating range: 37-145° F is widest in class, offering more days of HP operation annually; designed to meet Northern Climate Spec (Tier 3)

Easy Installation

- Easy access side connections
- Quick access to electrical junction box
- Easily replaces a standard electric water heater

Integration

- LCD Screen with built-in water sensor alert with audible alarm



- EcoNet™ WiFi-connected† technology and free mobile app gives users control over water systems, allowing for customizable temperature, vacation settings, energy savings and system monitoring at home or away. Visit Rheem.com/EcoNetConnect
- Water sensor detects water outside of the unit and sends an alert via the free Rheem EcoNet™ mobile app to the homeowner



Operation Modes

- Energy Saver
- Heat Pump
- High Demand
- Electric
- Vacation: 2-28 days (or placed on hold indefinitely)

Plus...

- Premium grade anode rod with resistor extends the life of the tank
- 3/4" NPT water inlet and outlet; 3/4" condensate drain connections
- Incoloy stainless steel resistor elements
- Dry-fire protection
- Easy access, top mounted washable air filter
- 2" Non-CFC foam insulation
- Enhanced flow brass drain valve
- Temperature and pressure relief valve installed
- Low lead compliant

Accessories

- Earthquake Kit part number SP20882, sold separately
- Vibration Isolation Kit part number SP20883, sold separately

Warranty

- 10-Year limited tank and parts warranty
See Residential Warranty Certificate for complete information

Units meet or exceed ANSI requirements and have been tested according to D.O.E. procedures. Units meet or exceed the energy efficiency requirements of NAECA, ASHRAE standard 90, ICC Code and all state energy efficiency performance criteria.

*Based on comparison of a 50-gallon Rheem *Prestige* Series Hybrid Electric Water Heater with a 3.50EF and a 50-gallon standard residential electric water heater with a .95EF.

† WiFi broadband internet connection required.



Professional *Prestige* Hybrid

50, 65 and 80-Gallon Capacities
208-240 Volt / 1 PH / 24 Amps
Electric



LEED Points = 3

See specifications chart on back.



INTEGRATED HOME COMFORT



The new degree of comfort.™

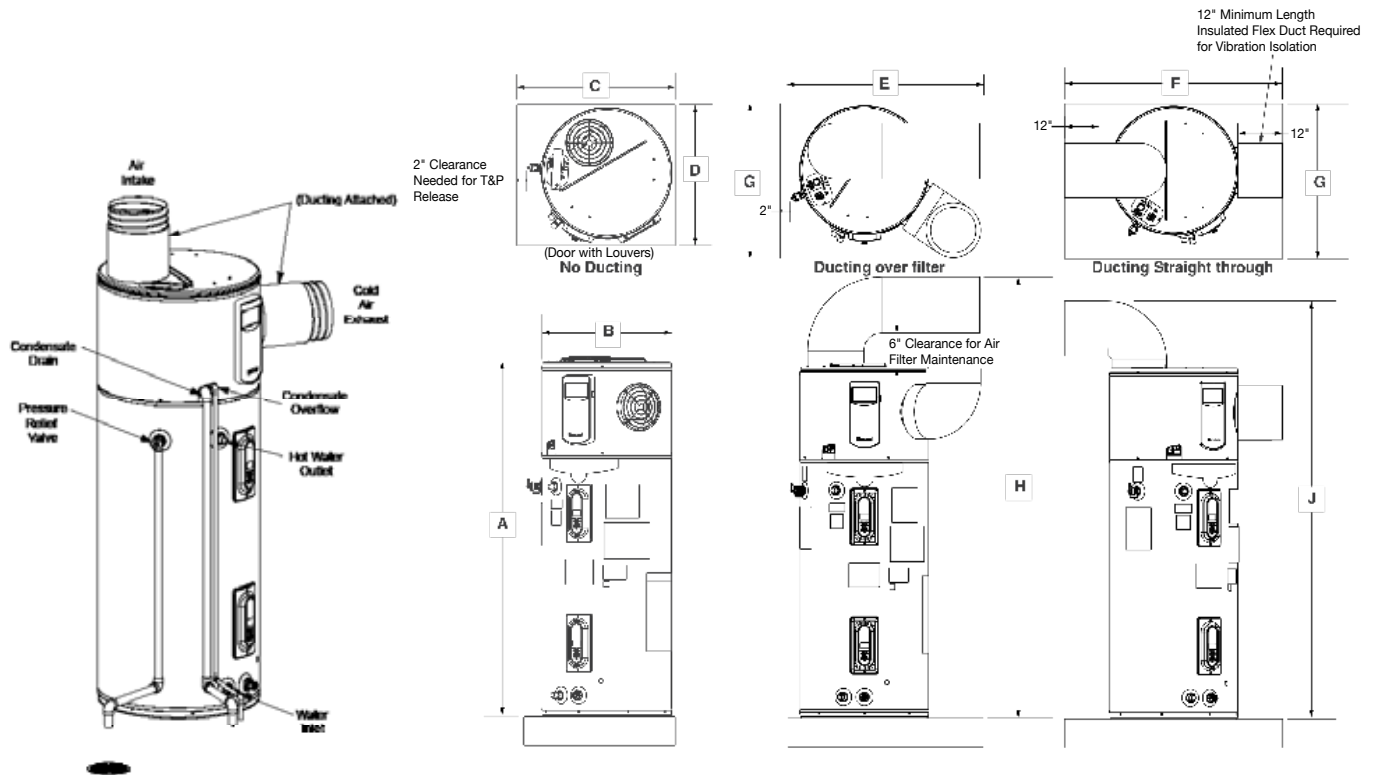


Residential Electric
Professional Prestige
Hybrid Water Heaters

Professional Prestige® Hybrid Specifications

DESCRIPTION		ENERGY INFO.		FEATURES				TANK DIMENSIONS (SEE SPACE REQUIREMENTS IN DIAGRAMS BELOW)					
GAL. CAP.	MODEL NUMBER	ENERGY FACTOR	ESTIMATED YEARLY ENERGY COST	COMPRESSOR BTU/H	SOUND LEVEL (dBa)	FIRST HOUR RATING G.P.H.	RECOVERY IN G.P.H. 90° F RISE	HEIGHT A	DIAM. B	HEIGHT TO COLD INLET & DRAIN VALVE	HEIGHT TO HOT OUTLET & T&P	UNIT WT. (LBS)	APPROX. SHIP WT. (LBS)
50	PROPH50 T2 RH350 D	3.50 EF	\$151	4200	49	70	29	61"	22-1/4"	3-5/8"	39-5/8"	178	218
65	PROPH65 T2 RH350 D	3.50 EF	\$151	4200	49	78	29	64"	24-1/4"	3-7/8"	42-3/8"	225	262
80	PROPH80 T2 RH350 D	3.50 EF	\$151	4200	49	90	29	74"	24-1/4"	3-7/8"	52-3/8"	244	281

Estimated energy cost based on a national average electricity cost of 12.00 /kWh. Energy Factor determined by U.S. Department of Energy (DOE) test procedures.



DESCRIPTION		DIMENSIONS (SHOWN IN INCHES)								
GAL. CAP.	MODEL NUMBER	A	B	C	D	E	F	G	H	J
50	PROPH50 T2 RH350 D	61	22-1/4	28	24	36	50	27	77	73
65	PROPH65 T2 RH350 D	64	24-1/4	30	26	38	52	29	80	76
80	PROPH80 T2 RH350 D	74	24-1/4	30	26	38	52	29	90	86

In keeping with its policy of continuous progress and product improvement, Rheem reserves the right to make changes without notice.

Rheem Water Heating • 101 Bell Road
Montgomery, Alabama 36117-4305 • 1.800.621.5622

Rheem Canada Ltd./Ltée • 125 Edgeware Road, Unit 1
Brampton, Ontario L6Y 0P5 • 1.800.268.6966



INTEGRATED HOME COMFORT