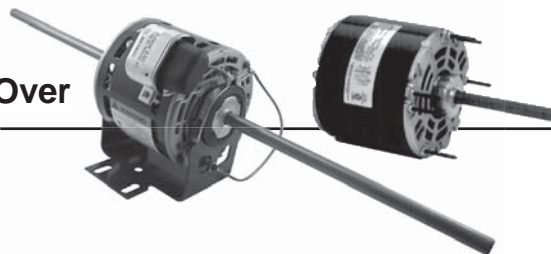


Direct Drive Fan Single & Double Shaft 5.0" Diameter, Open, Air Over



APPLICATIONS:

Designed to meet manufacturer's requirements for direct drive fans & blowers.

FEATURES:

- Bearings Have All Angle Thrust System
- Continuous Duty, Air Over
- 24" Line Leads Unless Otherwise Noted
- Automatic Reset Thermal Overload Protector
- Connection Information Furnished in the Nameplate Data
- Shaded Pole Design Except Where Noted

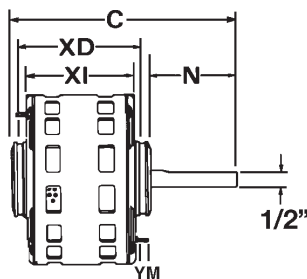


Figure A

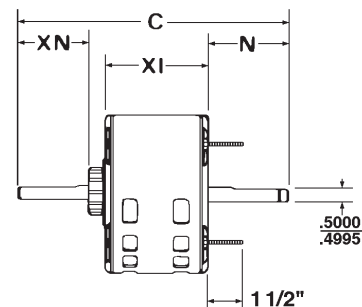


Figure B

5.0" Diameter, Stud or Hub Ring Mount (2.5") (Fig. A)

HP	RPM/ Spds.	Voltage	Catalog Number	Bearings	NEMA Frame	Amps	Shaft N	Base XD	Shell XI	Total C	Stud YM	Ship Wt.	Notes
1/15	1050	115	1342	SAB	42	2.6	2.8	N/A	3.8	6.6	0.6	10	84, H16, H19
	1050/2	115	1333	SAB	42	3	1.9	N/A	3.3	5.2	0.6	11	84, H3, H16
1/10	1050	115	1336	SAB	42	3.7	1.8	N/A	3.8	5.7	0.6	11	84, H3, H6, H16
1/8	1050	115	1337	SAB	42	5.5	5	5	4.5	10.4	0.9	13	84, H3, H16
1/6	1050	115	1127P	SAB	42	3.0	4.0	5.0	4.3	9.4	N/A	12	84, H3, H16, H38
	1050	115	2166P	SAB	42	2.6	3.5	4.2	3.6	8.2	-	8.4	84, H16
1/5	1050	115	1340	SAB	42	7.1	2.2	5.2	4.7	7.9	0.9	14	84, H3, H16
	1050/3	115	1338P	SAB	42	3.2	4.9	5.5	5.0	10.9	0.9	14	84, H3, H16, H38
	1075	208-230	1124	SAB	42	1.3	5.7	5.7	4.1	16.5	12		No Base Included
1/4	1050	115	1341	SAB	42	8.9	2.6	5.7	5.2	8.7	0.9	15	84, H3, H16

5.0" Diameter, Resilient Base, Double Shaft (Fig. B)

HP	RPM/ Spds.	Voltage	Catalog Number	Bearings	Rotation LE	Amps	Shaft N	Shaft XN	Shell XI	Total C	Ship Wt.	Notes	OEM
1/20	1075/4	115	1270	Ball	CW	0.9	10.1	10.1	4.3	25.6	8.0	H38	
1/15	1050/3	208-230	1261	SAB	Rev	0.5	8.3	8.3	4.6	22.2	7.8	H38	
1/10	1050	115	1182	Ball	CWLE	1.7	9.5	9.5	4.1	24.6	7.0	H38	
	1050/5	115	2832	SAB	CW	2.5	10.0	10.0	4.3	24.3	7.1	H38	
	1050/5	115	2827P	SAB	CW	2.5	10.0	10.0	4.1	25.2	9	H34, H38	
	1550/3	115	2817	SAB	CCW	3.8	8.4	8.4	4.6	22.4	8		
1/8	1550/4	115	1180	Ball	CW	2.0	10.2	10.2	3.6	24.0	7.1	Belly Band	
1/6	1625/2	115	1238	SAB	CCW	2.3	7.0	7.0	3.9	18.9	11	H38	
1/4	1550/3	230	1221P	SAB	CCW	1.6	8.0	8.0	4.3	20.9	14	H3, H21, H38	

Note 84: Non-reversible

Note H3: 20" Leads

Note H6: 3/8" Shaft

Note H16: Rotation CCW L.E.

Note H19: Conduit Box on Motor

Note H21: Fig. B Type, Includes Mounting Kit;
Non-Reversible

Note H34: Non-Reversible; 54" Leads; Includes Resilient Base

Note H37: PSC, 5.0 MFD Capacitor Required

Note H38: PSC, Capacitor Included and Attached
* Not RB

+ No base Included

† All marks shown within this document are properties of their respective owners.

