

4AC13

PRODUCT SPECIFICATIONS

13 SEER SPLIT SYSTEM AIR CONDITIONER

FORM NO. 4AC13-100 (07/2019)



FEATURES

- R410a Refrigerant
- High-quality condenser coil with copper tubing and enhanced louvered fin for maximum heat transfer capacity
- Top discharge with fan orifice to direct hot air away from living area and shrubbery
- All units factory run tested
- Available with louvered panel or wire guard coil protection
- Easy access to electrical panels
- Corner mounted service valves for easy hook-up and service
- Liquid line filter drier shipped loose
- Charged for 15 feet of interconnecting tubing
- All units are ETL and ETL certified and AHRI certified

WARRANTY

- 10 year limited warranty on compressor,
- 10 year limited warranty on all parts, extended warranty available*

**Warranty provides for a total of 10 years of limited warranty coverage (Standard 5-year limited parts warranty plus an additional 5-year limited extended parts warranty). Warranty must be registered online within 60 days of installation to qualify for 10-year coverage. Unregistered equipment defaults to 5-year coverage. Lifetime limited heat exchanger warranty applies to registered equipment only (Standard 20 years with no online registration). See full warranty at www.alliedair.com for terms, conditions and exclusions.*

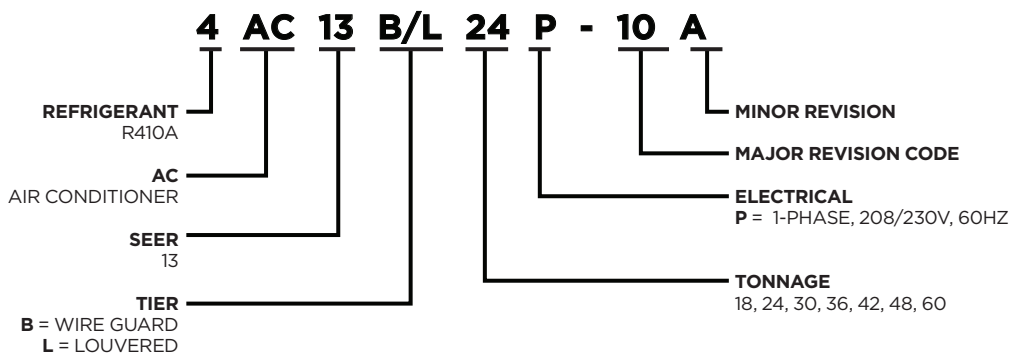


NOTE:

For the latest AHRI system matches please visit www.alliedratings.com or www.AHRIdirectory.org



MODEL NUMBER GUIDE



ELECTRICAL AND PHYSICAL DATA

| Model | Voltage/ Hz/Phase | Voltage Range | Min. Circuit Amp. | Max. Fuse (amps) [†] | Compressor | | Outdoor Fan Motor | | |
|--------------|-------------------|---------------|-------------------|-------------------------------|-------------------|---------------------|-------------------|----------|----------|
| | | | | | Rated Load (amps) | Locked Rotor (amps) | Rated Load (amps) | Rated HP | Nom. RPM |
| 4AC13*18P-10 | 208-230/60/1 | 197-253 | 10.9 | 15 | 8.1 | 39 | 0.7 | 1/10 | 1010 |
| 4AC13*24P-10 | 208-230/60/1 | 197-253 | 14.1 | 20 | 10.7 | 53 | 0.7 | 1/10 | 1010 |
| 4AC13*30P-10 | 208-230/60/1 | 197-253 | 15.6 | 25 | 11.6 | 59 | 1.1 | 1/5 | 1090 |
| 4AC13*36P-10 | 208-230/60/1 | 197-253 | 20.1 | 35 | 15.2 | 70 | 1.1 | 1/5 | 1090 |
| 4AC13*42P-10 | 208-230/60/1 | 197-253 | 28.1 | 45 | 21.1 | 90 | 1.7 | 1/4 | 825 |
| 4AC13*48P-10 | 208-230/60/1 | 197-253 | 31.9 | 50 | 24.1 | 100 | 1.7 | 1/4 | 825 |
| 4AC13*60P-10 | 208-230/60/1 | 197-253 | 29.4 | 60 | 22.1 | 120 | 1.7 | 1/4 | 825 |

[†] Overcurrent protection device

^{††} Factory charge adequate for 15 feet of line set. Adjust per Installation Instructions.

* = B or L B = Wire Guard

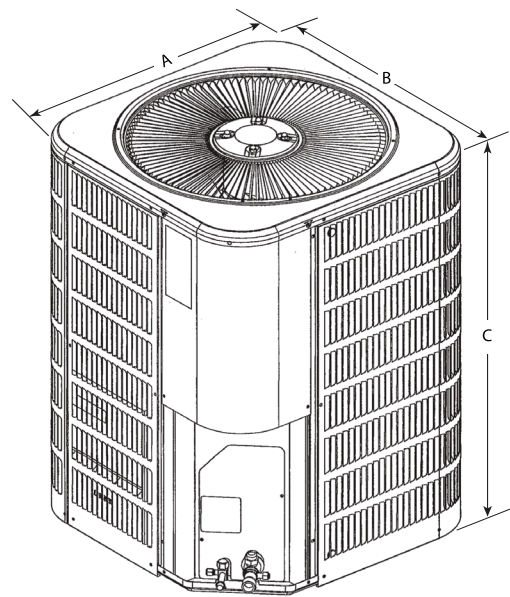
L = Louvered

UNIT DIMENSIONS

| Model | Dimensions (inch) | | | Weight (lbs.) | |
|--------------|-------------------|-----------|------------|---------------|----------|
| | A - Width | B - Depth | C - Height | Wire Guard | Louvered |
| 4AC13*18P-10 | 24.25 | 24.25 | 25 | 125 | 136 |
| 4AC13*24P-10 | 24.25 | 24.25 | 25 | 126 | 137 |
| 4AC13*30P-10 | 24.25 | 24.25 | 29 | 139 | 147 |
| 4AC13*36P-10 | 24.25 | 24.25 | 29 | 141 | 149 |
| 4AC13*42P-10 | 28.25 | 28.25 | 29 | 184 | 194 |
| 4AC13*48P-10 | 28.25 | 28.25 | 33 | 181 | 192 |
| 4AC13*60P-10 | 28.25 | 28.25 | 29 | 194 | 205 |

* = B or L B = Wire Guard L = Louvered

Note: Dimensions listed are unit sizes w/o packaging



SOUND RATINGS

| Model | Sound Power ¹ | Estimated Sound Pressure (dBA) ² | | |
|--------------|--------------------------|---|-----------------------|-------------------------|
| | | Approximate Distance ³ | | |
| | | One Meter (3.3 feet) | Two Meters (6.6 feet) | Three Meters (9.8 feet) |
| 4AC13*18P-10 | 74 | 66 | 60 | 56 |
| 4AC13*24P-10 | 74 | 66 | 60 | 56 |
| 4AC13*30P-10 | 74 | 66 | 60 | 56 |
| 4AC13*36P-10 | 74 | 66 | 60 | 56 |
| 4AC13*42P-10 | 79 | 71 | 65 | 61 |
| 4AC13*48P-10 | 79 | 71 | 65 | 61 |
| 4AC13*60P-10 | 80 | 72 | 66 | 62 |

¹ Rated in accordance with AHRI standard 270 (2015)

² Rated in accordance with AHRI standard 275 (2010)

³ Based only on distance factor; other factors may change this value such as:

- Unit location (reflective surfaces adjacent to the unit)
- Barrier shielding sources
- Sound path/elevation
- Outside noise sources

ACCESSORIES

| Description | Where Used | Kit Number |
|---|----------------|------------|
| TXV Kit | 18, 24, 30 | H4TXV01 |
| | 36, 42, 48 | H4TXV02 |
| | 60 | H4TXV03 |
| Crankcase Heater | 18, 24, 30, 36 | 93M04 |
| Crankcase Heater | 42, 48, 60 | 93M05 |
| Sound Cover | 18, 24, 30, 36 | 14W00 |
| Sound Cover | 42, 48, 60 | 14W01 |
| Loss of Charge Kit | All models | 84M23 |
| Liquid Line solenoid | All models | 60M5201 |
| Low ambient AC units (cooling operation) ¹ | All models | 34M72 |
| Compressor Short Cycle protector | All models | 47J27 |
| Hard Start | 18 | 10J42 |
| Hard Start | 24 thru 60 | 88M91 |
| Outdoor Thermostat - electric heat | All models | 56A87 |
| Over flow switch | All models | 11U75 |
| Freeze stat | All models | 93G35 |
| Blower time delay | All models | 58M81 |
| Single point power supply | All models | 21H39 |
| Relay (multi indoor speed) | All models | 85W66 |

¹ Low ambient AC units will require freeze stat, TXV kit, and crankcase heater

REFRIGERATION DATA

| Outdoor Model | Charge (oz) ⁵ | Refrigerant Connection | | | | Refrigerant Line Size | | Indoor Expansion Device | |
|---------------|--------------------------|------------------------|--------|---------------------------|--------|---------------------------|-------------------------|-------------------------|------------------|
| | | Outdoor | | Indoor (DTC) ⁶ | | Suction | Liquid | Piston | TXV ¹ |
| | | Suction | Liquid | Suction | Liquid | | | | |
| 4AC13*18P-10 | 65 | 5/8 | 3/8 | 3/4 | 3/8 | 5/8 or 3/4 ³ | 3/8 or 1/4 ² | 0.053 | H4TXV01 |
| 4AC13*24P-10 | 62 | 5/8 | 3/8 | 3/4 | 3/8 | 5/8 or 3/4 ³ | 3/8 or 1/4 ² | 0.057 | H4TXV01 |
| 4AC13*30P-10 | 82 | 3/4 | 3/8 | 3/4 | 3/8 | 3/4 | 3/8 | 0.063 | H4TXV01 |
| 4AC13*36P-10 | 84 | 3/4 | 3/8 | 7/8 | 3/8 | 3/4 | 3/8 | 0.072 | H4TXV02 |
| 4AC13*42P-10 | 104 | 3/4 | 3/8 | 7/8 | 3/8 | 3/4 | 3/8 | 0.074 | H4TXV02 |
| 4AC13*48P-10 | 124 | 7/8 | 3/8 | 7/8 | 3/8 | 7/8 | 3/8 | 0.082 | H4TXV02 |
| 4AC13*60P-10 | 144 | 7/8 | 3/8 | 7/8 | 3/8 | 7/8 or 1 1/8 ⁴ | 3/8 | 0.090 | H4TXV02 |

Note:
¹ Required to achieve AHRI rating. If NA (Not Applicable) is in the piston column, then TXV is required.
² Use 3/8 if over 24 feet of line set
³ Use 3/4 if over 24 feet of line set
⁴ Use 1 1/8 if over 24 feet of line set. Adapter provided with OD unit
⁵ Charged for 15 ft of line set
⁶ DTC = Designated Tested Combination

COOLING PERFORMANCE (DTC)¹

| Outdoor Model | Indoor Model | Capacity (BTUH) | EER | SEER |
|---------------|-------------------------|-----------------|------|------|
| 4AC13*18P-10 | E(C,M,U)1P24(A,B)+TDR | 17600 | 11 | 13 |
| 4AC13*24P-10 | E(C,M,U)1P24(A,B)+TDR | 22800 | 11 | 13 |
| 4AC13*30P-10 | E(C,M,U)1P24(A,B)+TDR | 28000 | 10.7 | 13 |
| 4AC13*36P-10 | E(C,H,M,U)1P36(B,C)+TDR | 34000 | 10.5 | 13 |
| 4AC13*42P-10 | E(C,H,M,U)1P43C+TDR | 40000 | 10.7 | 13 |
| 4AC13*48P-10 | E(C,H,U)1P49C+TDR | 47000 | 11 | 13 |
| 4AC13*60P-10 | E(C,H,U)1P49C+TDR | 57000 | 10.7 | 13 |

¹ DTC = Designated Tested Combination

NOTE:

For the latest AHRI system matches please visit www.alliedratings.com or www.AHRIdirectory.org

COOLING PERFORMANCE EXTENDED RATINGS

| Outdoor Model | Indoor Model | Indoor Temp DB/WB °F | Outdoor Air Temperature Entering Outdoor Coil | | | | | | | | | | | | | | |
|---------------|--------------|----------------------|---|------|------|--------|------|------|--------|------|------|--------|------|------|--------|------|------|
| | | | 65 | | | 82 | | | 95 | | | 105 | | | 115 | | |
| | | | Btuh | S/T | kW | Btuh | S/T | kW | Btuh | S/T | kW | Btuh | S/T | kW | Btuh | S/T | kW |
| 4AC13*18P | E*1P19 | 85/72 | 19,900 | 0.67 | 1.49 | 19,000 | 0.71 | 1.61 | 18,500 | 0.74 | 1.71 | 17,400 | 0.76 | 1.78 | 16,300 | 0.77 | 1.38 |
| | | 80/67 | 18,800 | 0.69 | 1.38 | 18,300 | 0.73 | 1.74 | 18,000 | 0.76 | 1.64 | 16,700 | 0.78 | 2.19 | 15,300 | 0.80 | 1.33 |
| | | 75/63 | 17,400 | 0.74 | 1.33 | 16,900 | 0.78 | 1.47 | 16,700 | 0.81 | 1.58 | 15,500 | 0.83 | 1.65 | 14,200 | 0.85 | 1.28 |
| | | 75/57 | 16,400 | 0.83 | 1.30 | 16,100 | 0.88 | 1.44 | 16,000 | 0.91 | 1.55 | 14,900 | 0.93 | 1.61 | 13,600 | 0.95 | 1.25 |
| 4AC13*24P | E*1P24 | 85/72 | 23,200 | 0.65 | 1.66 | 23,100 | 0.70 | 1.90 | 23,100 | 0.74 | 2.08 | 22,300 | 0.76 | 2.20 | 21,400 | 0.77 | 1.90 |
| | | 80/67 | 22,900 | 0.69 | 1.65 | 23,000 | 0.73 | 2.03 | 23,000 | 0.76 | 2.06 | 21,700 | 0.79 | 2.51 | 20,300 | 0.81 | 1.69 |
| | | 75/63 | 22,700 | 0.74 | 1.65 | 22,000 | 0.78 | 1.84 | 21,400 | 0.81 | 1.99 | 20,100 | 0.83 | 2.06 | 18,800 | 0.85 | 1.76 |
| | | 75/57 | 22,300 | 0.83 | 1.64 | 21,500 | 0.88 | 1.82 | 20,800 | 0.91 | 1.95 | 19,500 | 0.93 | 2.02 | 18,200 | 0.95 | 1.72 |
| 4AC13*30P | E*1P29 | 85/72 | 31,900 | 0.66 | 2.14 | 30,700 | 0.70 | 2.46 | 29,700 | 0.73 | 2.72 | 27,900 | 0.75 | 2.81 | 26,200 | 0.76 | 3.02 |
| | | 80/67 | 30,100 | 0.66 | 2.12 | 28,900 | 0.72 | 2.03 | 28,000 | 0.75 | 2.61 | 26,300 | 0.77 | 2.51 | 24,700 | 0.78 | 2.91 |
| | | 75/63 | 27,900 | 0.79 | 2.11 | 26,800 | 0.80 | 2.34 | 25,900 | 0.80 | 2.51 | 24,300 | 0.82 | 2.60 | 22,800 | 0.84 | 2.80 |
| | | 75/57 | 27,100 | 0.82 | 2.07 | 26,000 | 0.87 | 2.29 | 25,100 | 0.90 | 2.46 | 23,600 | 0.92 | 2.55 | 22,200 | 0.94 | 2.74 |
| 4AC13*36P | E*1P36 | 85/72 | 42,100 | 0.61 | 2.4 | 39,890 | 0.64 | 2.86 | 38,200 | 0.67 | 3.22 | 35,650 | 0.7 | 3.61 | 33,100 | 0.73 | 3.99 |
| | | 80/67 | 39,900 | 0.68 | 2.38 | 37,010 | 0.73 | 2.85 | 34,800 | 0.76 | 3.21 | 32,150 | 0.79 | 3.58 | 29,500 | 0.81 | 3.95 |
| | | 75/63 | 37,900 | 0.71 | 2.36 | 34,727 | 0.75 | 2.82 | 32,300 | 0.78 | 3.17 | 29,600 | 0.82 | 3.53 | 26,900 | 0.86 | 3.88 |
| | | 75/57 | 35,800 | 1.00 | 2.33 | 32,570 | 1.00 | 2.77 | 30,100 | 1.00 | 3.11 | 27,150 | 1.00 | 3.47 | 24,200 | 1.00 | 3.82 |
| 4AC13*42P | E*1P43 | 85/72 | 46,800 | 0.65 | 1.66 | 44,900 | 0.68 | 2.91 | 43,500 | 0.71 | 3.86 | 41,000 | 0.73 | 4.02 | 38,500 | 0.74 | 6.17 |
| | | 80/67 | 44,500 | 0.67 | 1.65 | 42,500 | 0.7 | 2.03 | 41,000 | 0.73 | 3.73 | 39,600 | 0.75 | 2.51 | 38,200 | 0.77 | 6.13 |
| | | 75/63 | 44,200 | 0.68 | 1.65 | 40,600 | 0.74 | 2.75 | 37,900 | 0.78 | 3.59 | 35,600 | 0.8 | 3.72 | 33,400 | 0.82 | 5.71 |
| | | 75/57 | 40,800 | 0.71 | 1.64 | 38,600 | 0.80 | 2.70 | 36,800 | 0.87 | 3.51 | 34,600 | 0.89 | 3.64 | 32,400 | 0.91 | 5.60 |
| 4AC13*48P | E*1P49 | 85/72 | 61,100 | 0.63 | 3.56 | 57,870 | 0.65 | 4.50 | 55,400 | 0.66 | 4.57 | 52,000 | 0.69 | 5.03 | 48,600 | 0.71 | 5.48 |
| | | 80/67 | 56,800 | 0.69 | 3.49 | 53,230 | 0.71 | 4.06 | 50,500 | 0.73 | 4.50 | 46,800 | 0.76 | 4.95 | 43,100 | 0.79 | 5.39 |
| | | 75/63 | 53,300 | 0.72 | 3.44 | 49,447 | 0.75 | 4.01 | 46,500 | 0.77 | 4.44 | 42,800 | 0.80 | 4.92 | 39,100 | 0.83 | 5.39 |
| | | 75/57 | 47,000 | 1.00 | 3.39 | 43,713 | 1.00 | 3.95 | 41,200 | 1.00 | 4.38 | 38,500 | 1.00 | 4.85 | 35,800 | 1.00 | 5.31 |
| 4AC13*60P | E*1P49 | 85/72 | 69,800 | 0.61 | 4.02 | 66,457 | 0.63 | 4.75 | 63,900 | 0.64 | 5.30 | 59,950 | 0.67 | 5.87 | 56,000 | 0.69 | 6.44 |
| | | 80/67 | 65,400 | 0.68 | 3.96 | 61,490 | 0.70 | 4.72 | 58,500 | 0.71 | 5.30 | 54,600 | 0.74 | 5.83 | 50,700 | 0.77 | 6.36 |
| | | 75/63 | 61,400 | 0.71 | 3.90 | 56,923 | 0.73 | 4.59 | 53,500 | 0.75 | 5.12 | 49,650 | 0.78 | 5.70 | 45,800 | 0.81 | 6.27 |
| | | 75/57 | 45,400 | 1.00 | 3.83 | 46,760 | 1.00 | 4.54 | 47,800 | 1.00 | 5.09 | 45,600 | 1.00 | 5.67 | 43,400 | 1.00 | 6.24 |



1-800-448-5872

All specifications and illustrations subject to change without notice and without incurring obligations.