

# 4AC13

## PRODUCT SPECIFICATIONS

## 13 SEER SPLIT SYSTEM AIR CONDITIONER

FORM NO. 4AC13-100 (07/2019)



### FEATURES

- R410a Refrigerant
- High-quality condenser coil with copper tubing and enhanced louvered fin for maximum heat transfer capacity
- Top discharge with fan orifice to direct hot air away from living area and shrubbery
- All units factory run tested
- Available with louvered panel or wire guard coil protection
- Easy access to electrical panels
- Corner mounted service valves for easy hook-up and service
- Liquid line filter drier shipped loose
- Charged for 15 feet of interconnecting tubing
- All units are ETL and ETL certified and AHRI certified

### WARRANTY

- 10 year limited warranty on compressor,
- 10 year limited warranty on all parts, extended warranty available\*

*\*Warranty provides for a total of 10 years of limited warranty coverage (Standard 5-year limited parts warranty plus an additional 5-year limited extended parts warranty). Warranty must be registered online within 60 days of installation to qualify for 10-year coverage. Unregistered equipment defaults to 5-year coverage. Lifetime limited heat exchanger warranty applies to registered equipment only (Standard 20 years with no online registration). See full warranty at [www.alliedair.com](http://www.alliedair.com) for terms, conditions and exclusions.*

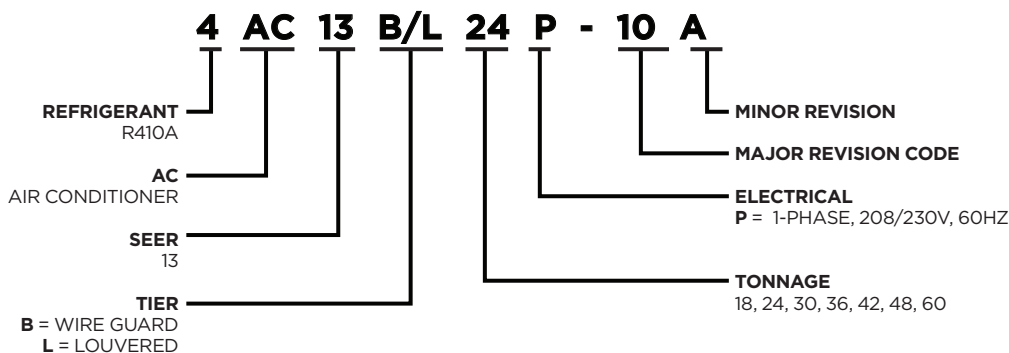


### NOTE:

For the latest AHRI system matches please visit [www.alliedratings.com](http://www.alliedratings.com) or [www.AHRIdirectory.org](http://www.AHRIdirectory.org)



**MODEL NUMBER GUIDE**



**ELECTRICAL AND PHYSICAL DATA**

Model	Voltage/ Hz/Phase	Voltage Range	Min. Circuit Amp.	Max. Fuse (amps) <sup>†</sup>	Compressor		Outdoor Fan Motor		
					Rated Load (amps)	Locked Rotor (amps)	Rated Load (amps)	Rated HP	Nom. RPM
4AC13*18P-10	208-230/60/1	197-253	10.9	15	8.1	39	0.7	1/10	1010
4AC13*24P-10	208-230/60/1	197-253	14.1	20	10.7	53	0.7	1/10	1010
4AC13*30P-10	208-230/60/1	197-253	15.6	25	11.6	59	1.1	1/5	1090
4AC13*36P-10	208-230/60/1	197-253	20.1	35	15.2	70	1.1	1/5	1090
4AC13*42P-10	208-230/60/1	197-253	28.1	45	21.1	90	1.7	1/4	825
4AC13*48P-10	208-230/60/1	197-253	31.9	50	24.1	100	1.7	1/4	825
4AC13*60P-10	208-230/60/1	197-253	29.4	60	22.1	120	1.7	1/4	825

<sup>†</sup> Overcurrent protection device

<sup>††</sup> Factory charge adequate for 15 feet of line set. Adjust per Installation Instructions.

\* = B or L B = Wire Guard

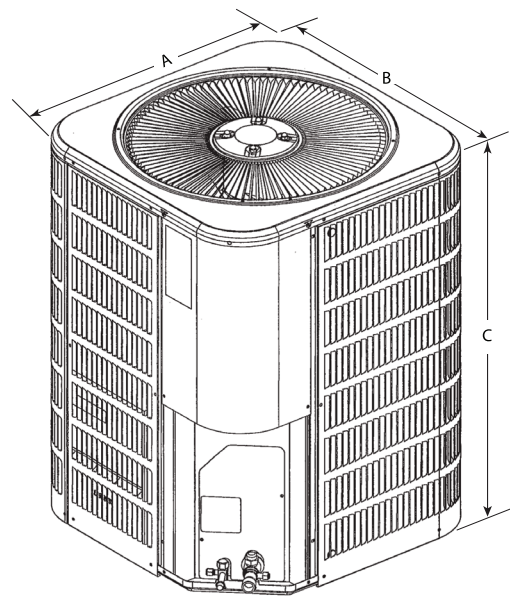
L = Louvered

**UNIT DIMENSIONS**

Model	Dimensions (inch)			Weight (lbs.)	
	A - Width	B - Depth	C - Height	Wire Guard	Louvered
4AC13*18P-10	24.25	24.25	25	125	136
4AC13*24P-10	24.25	24.25	25	126	137
4AC13*30P-10	24.25	24.25	29	139	147
4AC13*36P-10	24.25	24.25	29	141	149
4AC13*42P-10	28.25	28.25	29	184	194
4AC13*48P-10	28.25	28.25	33	181	192
4AC13*60P-10	28.25	28.25	29	194	205

\* = B or L B = Wire Guard L = Louvered

Note: Dimensions listed are unit sizes w/o packaging



## SOUND RATINGS

Model	Sound Power <sup>1</sup>	Estimated Sound Pressure (dBA) <sup>2</sup>		
		Approximate Distance <sup>3</sup>		
		One Meter (3.3 feet)	Two Meters (6.6 feet)	Three Meters (9.8 feet)
4AC13*18P-10	74	66	60	56
4AC13*24P-10	74	66	60	56
4AC13*30P-10	74	66	60	56
4AC13*36P-10	74	66	60	56
4AC13*42P-10	79	71	65	61
4AC13*48P-10	79	71	65	61
4AC13*60P-10	80	72	66	62

<sup>1</sup> Rated in accordance with AHRI standard 270 (2015)

<sup>2</sup> Rated in accordance with AHRI standard 275 (2010)

<sup>3</sup> Based only on distance factor; other factors may change this value such as:

- Unit location (reflective surfaces adjacent to the unit)
- Barrier shielding sources
- Sound path/elevation
- Outside noise sources

## ACCESSORIES

Description	Where Used	Kit Number
TXV Kit	18, 24, 30	H4TXV01
	36, 42, 48	H4TXV02
	60	H4TXV03
Crankcase Heater	18, 24, 30, 36	93M04
Crankcase Heater	42, 48, 60	93M05
Sound Cover	18, 24, 30, 36	14W00
Sound Cover	42, 48, 60	14W01
Loss of Charge Kit	All models	84M23
Liquid Line solenoid	All models	60M5201
Low ambient AC units (cooling operation) <sup>1</sup>	All models	34M72
Compressor Short Cycle protector	All models	47J27
Hard Start	18	10J42
Hard Start	24 thru 60	88M91
Outdoor Thermostat - electric heat	All models	56A87
Over flow switch	All models	11U75
Freeze stat	All models	93G35
Blower time delay	All models	58M81
Single point power supply	All models	21H39
Relay (multi indoor speed)	All models	85W66

<sup>1</sup> Low ambient AC units will require freeze stat, TXV kit, and crankcase heater

**REFRIGERATION DATA**

Outdoor Model	Charge (oz) <sup>5</sup>	Refrigerant Connection				Refrigerant Line Size		Indoor Expansion Device	
		Outdoor		Indoor (DTC) <sup>6</sup>		Suction	Liquid	Piston	TXV <sup>1</sup>
		Suction	Liquid	Suction	Liquid				
4AC13*18P-10	65	5/8	3/8	3/4	3/8	5/8 or 3/4 <sup>3</sup>	3/8 or 1/4 <sup>2</sup>	0.053	H4TXV01
4AC13*24P-10	62	5/8	3/8	3/4	3/8	5/8 or 3/4 <sup>3</sup>	3/8 or 1/4 <sup>2</sup>	0.057	H4TXV01
4AC13*30P-10	82	3/4	3/8	3/4	3/8	3/4	3/8	0.063	H4TXV01
4AC13*36P-10	84	3/4	3/8	7/8	3/8	3/4	3/8	0.072	H4TXV02
4AC13*42P-10	104	3/4	3/8	7/8	3/8	3/4	3/8	0.074	H4TXV02
4AC13*48P-10	124	7/8	3/8	7/8	3/8	7/8	3/8	0.082	H4TXV02
4AC13*60P-10	144	7/8	3/8	7/8	3/8	7/8 or 1 1/8 <sup>4</sup>	3/8	0.090	H4TXV02

Note:  
<sup>1</sup> Required to achieve AHRI rating. If NA (Not Applicable) is in the piston column, then TXV is required.  
<sup>2</sup> Use 3/8 if over 24 feet of line set  
<sup>3</sup> Use 3/4 if over 24 feet of line set  
<sup>4</sup> Use 1 1/8 if over 24 feet of line set. Adapter provided with OD unit  
<sup>5</sup> Charged for 15 ft of line set  
<sup>6</sup> DTC = Designated Tested Combination

**COOLING PERFORMANCE (DTC)<sup>1</sup>**

Outdoor Model	Indoor Model	Capacity (BTUH)	EER	SEER
4AC13*18P-10	E(C,M,U)1P24(A,B)+TDR	17600	11	13
4AC13*24P-10	E(C,M,U)1P24(A,B)+TDR	22800	11	13
4AC13*30P-10	E(C,M,U)1P24(A,B)+TDR	28000	10.7	13
4AC13*36P-10	E(C,H,M,U)1P36(B,C)+TDR	34000	10.5	13
4AC13*42P-10	E(C,H,M,U)1P43C+TDR	40000	10.7	13
4AC13*48P-10	E(C,H,U)1P49C+TDR	47000	11	13
4AC13*60P-10	E(C,H,U)1P49C+TDR	57000	10.7	13

<sup>1</sup> DTC = Designated Tested Combination

**NOTE:**

For the latest AHRI system matches please visit [www.alliedratings.com](http://www.alliedratings.com) or [www.AHRIdirectory.org](http://www.AHRIdirectory.org)

**COOLING PERFORMANCE EXTENDED RATINGS**

Outdoor Model	Indoor Model	Indoor Temp DB/WB °F	Outdoor Air Temperature Entering Outdoor Coil														
			65			82			95			105			115		
			Btuh	S/T	kW	Btuh	S/T	kW	Btuh	S/T	kW	Btuh	S/T	kW	Btuh	S/T	kW
4AC13*18P	E*1P19	85/72	19,900	0.67	1.49	19,000	0.71	1.61	18,500	0.74	1.71	17,400	0.76	1.78	16,300	0.77	1.38
		80/67	18,800	0.69	1.38	18,300	0.73	1.74	18,000	0.76	1.64	16,700	0.78	2.19	15,300	0.80	1.33
		75/63	17,400	0.74	1.33	16,900	0.78	1.47	16,700	0.81	1.58	15,500	0.83	1.65	14,200	0.85	1.28
		75/57	16,400	0.83	1.30	16,100	0.88	1.44	16,000	0.91	1.55	14,900	0.93	1.61	13,600	0.95	1.25
4AC13*24P	E*1P24	85/72	23,200	0.65	1.66	23,100	0.70	1.90	23,100	0.74	2.08	22,300	0.76	2.20	21,400	0.77	1.90
		80/67	22,900	0.69	1.65	23,000	0.73	2.03	23,000	0.76	2.06	21,700	0.79	2.51	20,300	0.81	1.69
		75/63	22,700	0.74	1.65	22,000	0.78	1.84	21,400	0.81	1.99	20,100	0.83	2.06	18,800	0.85	1.76
		75/57	22,300	0.83	1.64	21,500	0.88	1.82	20,800	0.91	1.95	19,500	0.93	2.02	18,200	0.95	1.72
4AC13*30P	E*1P29	85/72	31,900	0.66	2.14	30,700	0.70	2.46	29,700	0.73	2.72	27,900	0.75	2.81	26,200	0.76	3.02
		80/67	30,100	0.66	2.12	28,900	0.72	2.03	28,000	0.75	2.61	26,300	0.77	2.51	24,700	0.78	2.91
		75/63	27,900	0.79	2.11	26,800	0.80	2.34	25,900	0.80	2.51	24,300	0.82	2.60	22,800	0.84	2.80
		75/57	27,100	0.82	2.07	26,000	0.87	2.29	25,100	0.90	2.46	23,600	0.92	2.55	22,200	0.94	2.74
4AC13*36P	E*1P36	85/72	42,100	0.61	2.4	39,890	0.64	2.86	38,200	0.67	3.22	35,650	0.7	3.61	33,100	0.73	3.99
		80/67	39,900	0.68	2.38	37,010	0.73	2.85	34,800	0.76	3.21	32,150	0.79	3.58	29,500	0.81	3.95
		75/63	37,900	0.71	2.36	34,727	0.75	2.82	32,300	0.78	3.17	29,600	0.82	3.53	26,900	0.86	3.88
		75/57	35,800	1.00	2.33	32,570	1.00	2.77	30,100	1.00	3.11	27,150	1.00	3.47	24,200	1.00	3.82
4AC13*42P	E*1P43	85/72	46,800	0.65	1.66	44,900	0.68	2.91	43,500	0.71	3.86	41,000	0.73	4.02	38,500	0.74	6.17
		80/67	44,500	0.67	1.65	42,500	0.7	2.03	41,000	0.73	3.73	39,600	0.75	2.51	38,200	0.77	6.13
		75/63	44,200	0.68	1.65	40,600	0.74	2.75	37,900	0.78	3.59	35,600	0.8	3.72	33,400	0.82	5.71
		75/57	40,800	0.71	1.64	38,600	0.80	2.70	36,800	0.87	3.51	34,600	0.89	3.64	32,400	0.91	5.60
4AC13*48P	E*1P49	85/72	61,100	0.63	3.56	57,870	0.65	4.50	55,400	0.66	4.57	52,000	0.69	5.03	48,600	0.71	5.48
		80/67	56,800	0.69	3.49	53,230	0.71	4.06	50,500	0.73	4.50	46,800	0.76	4.95	43,100	0.79	5.39
		75/63	53,300	0.72	3.44	49,447	0.75	4.01	46,500	0.77	4.44	42,800	0.80	4.92	39,100	0.83	5.39
		75/57	47,000	1.00	3.39	43,713	1.00	3.95	41,200	1.00	4.38	38,500	1.00	4.85	35,800	1.00	5.31
4AC13*60P	E*1P49	85/72	69,800	0.61	4.02	66,457	0.63	4.75	63,900	0.64	5.30	59,950	0.67	5.87	56,000	0.69	6.44
		80/67	65,400	0.68	3.96	61,490	0.70	4.72	58,500	0.71	5.30	54,600	0.74	5.83	50,700	0.77	6.36
		75/63	61,400	0.71	3.90	56,923	0.73	4.59	53,500	0.75	5.12	49,650	0.78	5.70	45,800	0.81	6.27
		75/57	45,400	1.00	3.83	46,760	1.00	4.54	47,800	1.00	5.09	45,600	1.00	5.67	43,400	1.00	6.24



1-800-448-5872

All specifications and illustrations subject to change without notice and without incurring obligations.