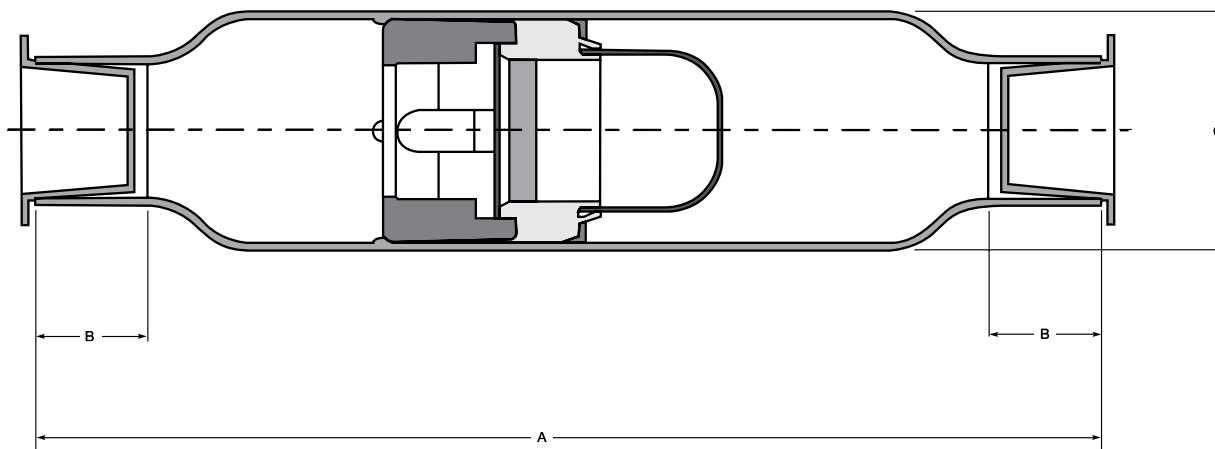


In-Line Magnetic Check Valves

900MA Series In-Line Check Valve

- Copper connection sizes 3/8" through 2 1/2".
- Hermetically sealed spun copper body.
- Thirty-mesh screen to protect seat surface from debris.
- Temperature range: -40° F up to 300° F
- Full range of sizes.
- Magnetic actuation.
- Arrow indicates direction of flow.
- Can be installed in any position.
- Minimal pressure drop.
- UL® and cUL Recognized, File No. SA2989(N).
- For use with CO₂, CFC, HFC and HCFC refrigerants listed in CAN/CSA B52 and ANSI/ASHRAE 15 Section 9.2.
- Proprietary seat design minimizes leaks.



Part Number	IBCA No.	Connection		A ± .125	B ± .030	C	Opening Pressure oz./sq. in.	MWP (PSIG)	Burst Pressure (PSIG)	Leak Rate CIM @ 60 psi	Nominal Tons R22 Suction 40° @ 1 psi	Nominal Tons R22 Liquid 40° @ 1 psi	Weight (lbs.)
		(ODS)	Cup Size										
900MA-6S	25694	3/8	0.378/0.381	4.00	0.31	0.875	1.3	800	4000	<0.015	0.6	3.1	.22
900MA-8S	25693	1/2	0.503/0.506	5.00	0.38	1.125	3.5	760	3800	<0.034	1.2	9.4	.22
900MA-10S	25692	5/8	0.628/0.631	5.00	0.50	1.125	3.5	760	3800	<0.034	1.4	13	.38
900MA-14S	25690	7/8	0.878/0.881	7.00	0.75	1.625	3.8	700	3000	<0.074	3.7	29	.40
900MA-11S	25689	1 1/8	1.128/1.132	8.38	0.94	2.125	6.8	700	3000	<0.122	6.0	51	1.66
900MA-13S	25688	1 3/8	1.378/1.382	9.38	1.00	2.625	10.2	700	2900	<0.172	9.5	79	2.6
900MA-15S	25687	1 5/8	1.628/1.633	10.50	1.09	3.125	11.4	700	2900	<0.272	17.0	102	3.8
900MA-21S	25686	2 1/8	2.128/ 2.133	12.00	1.34	3.625	18.1	700	2500	<0.386	30.0	213	5.5
900MA-25S	25685	2 3/4	2.628/2.633	13.00	1.50	4.125	23.0	700	2300	<0.512	50.0	375	7.8