



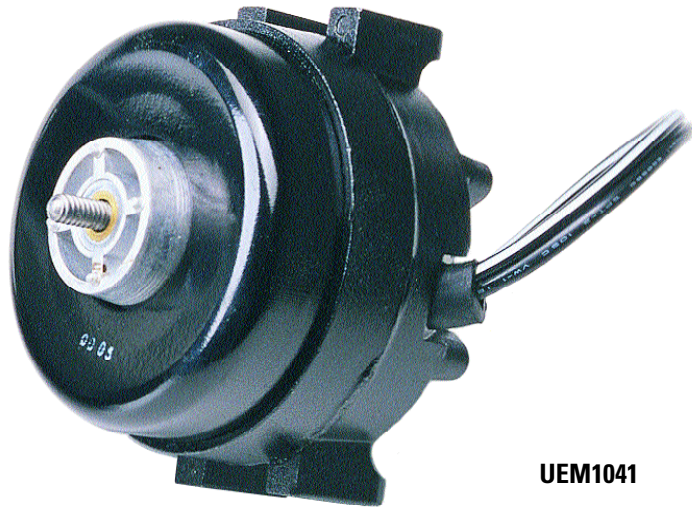
Motors

Cast Iron & Aluminum Housing

DURABLE MOTORS FOR ALL YOUR NEEDS!

■ **Cast Iron Motor**

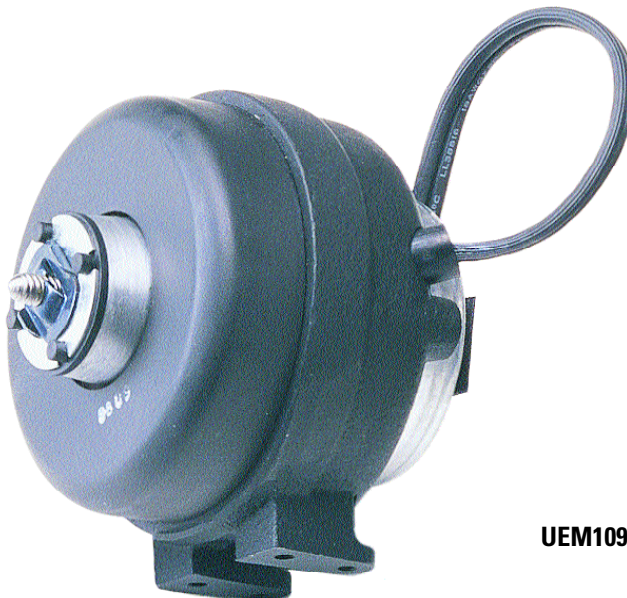
- 50/60 Hz
- 1550 rpm at 60 Hz
- Fully enclosed cast iron housing
- External oil port
- All angle operation
- UL and CSA listed



UEM1041

■ **Aluminum Housing**

- 50/60 Hz
- 1550 rpm at 60 Hz
- Fully enclosed aluminum housing
- External oil port
- All angle operation
- UL and listed



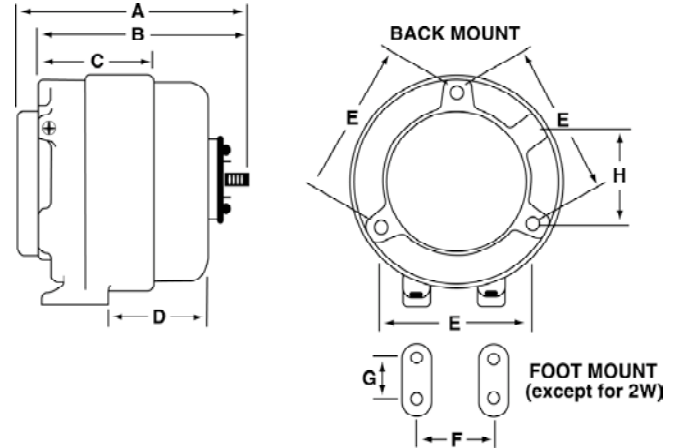
UEM1091

MOTORS • Cast Iron & Aluminum Housing

Cast Iron Housing

Part Number	Watts	Voltage	UL	Industry Reference	Rotation
UEM1021	2W	115VAC	Yes	5109	CW
UEM1025	2.5W	115VAC	Yes	5111	CW
UEM1041	4W	115VAC	Yes	5211	CW
UEM1042	4W	115VAC	Yes	5212	CCW
UEM1061	6W	115VAC	Yes	5311	CW
UEM1062	6W	115VAC	Yes	5312	CCW
UEM1091	9W	115VAC	Yes	5411	CW
UEM1092	9W	115VAC	Yes	5412	CCW
UEM1161	16W	115VAC	Yes	5811	CW
UEM2091	9W	230VAC	Yes	5421	CW
UEM2092	9W	230VAC	Yes	5422	CCW
UEM2161	16W	230VAC	Yes	5821	CW

Each motor furnished with hub washer, speed nut, neoprene silencer/vibration damper, and 3 mounting screws.

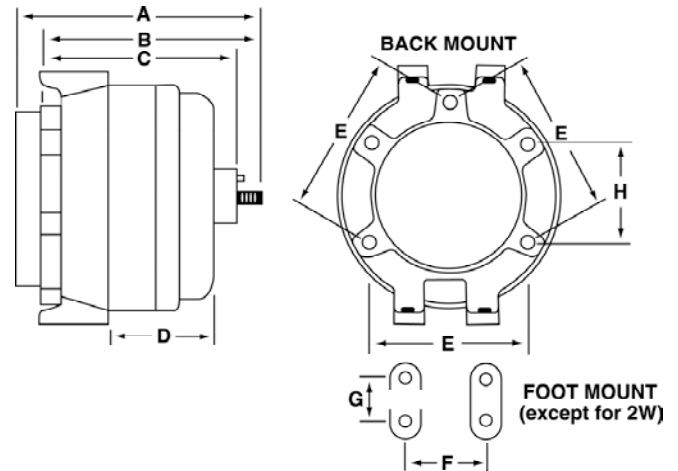


Cast Iron Motors	A	B	C	D	E	F	G
2W	3.275	2.920	1.250		2.5		
2.5 & 4W	3.245	2.895	1.350	1.395	2.5	1.125	.625
6 & 9W	3.775	3.410	1.865	1.810	2.5	1.125	.625
16W	4.030	3.6655	1.862	2.09	2.5	1.125	.625

Aluminum Housing

Part Number	Watts	Voltage	UL	Industry Reference	Rotation
UEM1021AL	2W	115VAC	Yes	5109	CW
UEM1041AL	4W	115VAC	Yes	5213	CW
UEM1042AL	4W	115VAC	Yes	5214	CCW
UEM1061AL	6W	115VAC	Yes	5313	CW
UEM1091AL	9W	115VAC	Yes	5413	CW
UEM1092AL	9W	115VAC	Yes	5415	CCW

All motors sold in 12 lot quantities.



Aluminum Motors	A	B	C	D	E	F	G	H
2W					2.5			
4W	3.250	2.875	2.5	1.225	2.4	1.1225	.625	1.4
6 & 9W	3.525	3.150	2.80	1.475	2.4	1.125	.625	1.4

Distributed By:



1-800-547-5740 • Fax: (503) 643-6322
www.ueitest.com • Email: info@ueitest.com

IN CANADA

Vancouver: Phone: 1-877-475-0648 • (604) 278-4511 • Fax: (604) 278-8299
Toronto: Phone: 1-877-475-0648 • Fax: (905) 238-5117

IN EUROPE

Phone: +44 1707 375550 • Fax: +44 1707 393277

