

# Concord Evaporator Coils

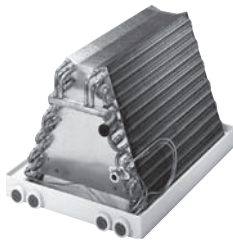
Form No. REC/M/U/H1P-100 (05/2010)



**EC1P**



**EM1P**



**EU1P**



**EH1P**

**Warranty**  
10 year limited parts warranty available when applied with a system. See limited warranty document for details.

## Features

All piston coils are compatible with R22 or R410A  
All drain pans are compatible with UV lights

### EC1P/EM1P

#### Cased

Upflow/Counterflow (EC1P) for application flexibility  
Upflow/Horizontal (EM1P) for application flexibility  
Microban® antimicrobial additive in the drain pan to resist mold and mildew growth

One of the lowest water retention drain pans in the industry to minimize mold and mildew growth

Insulated galvanized steel coil case with durable embossed finish  
Interlocking door assemblies and snug line seal grommets to minimize air leakage

External cabinet mounted distributor body designed for easy changing of orifice sizes and fast TXV connections

Foil-face insulation for easy cleaning

Two dual drain connections on front of coil for installation flexibility of drain lines around furnace vent and utility connections

Side drain pan built in for easy horizontal coil installations (EM1P only)

Tube located at door split for easy coil service or coil cleaning

### EU1P

#### Uncased

Upflow/Counterflow for application flexibility

Microban® antimicrobial additive in the drain pan to resist mold and mildew growth

One of the lowest water retention drain pans in the industry to minimize mold and mildew growth

Two dual drain connections on front of coil for installation flexibility of drain lines around furnace vent and utility connections

Orifice assembly designed for easy changing of orifice sizes and fast TXV connections

### EH1P

#### Cased

Dedicated horizontal

Microban® antimicrobial additive in the drain pan to resist mold and mildew growth

Drain pan has trough to fully drain condensate away

Insulated galvanized steel coil case with durable embossed finish  
Top, front, and back panels are removable for easy service or coil cleaning

Dual condensate drains on front and back of coil allows flexibility of placement to accommodate left or right airflow furnaces

Foil faced insulation for easy cleaning

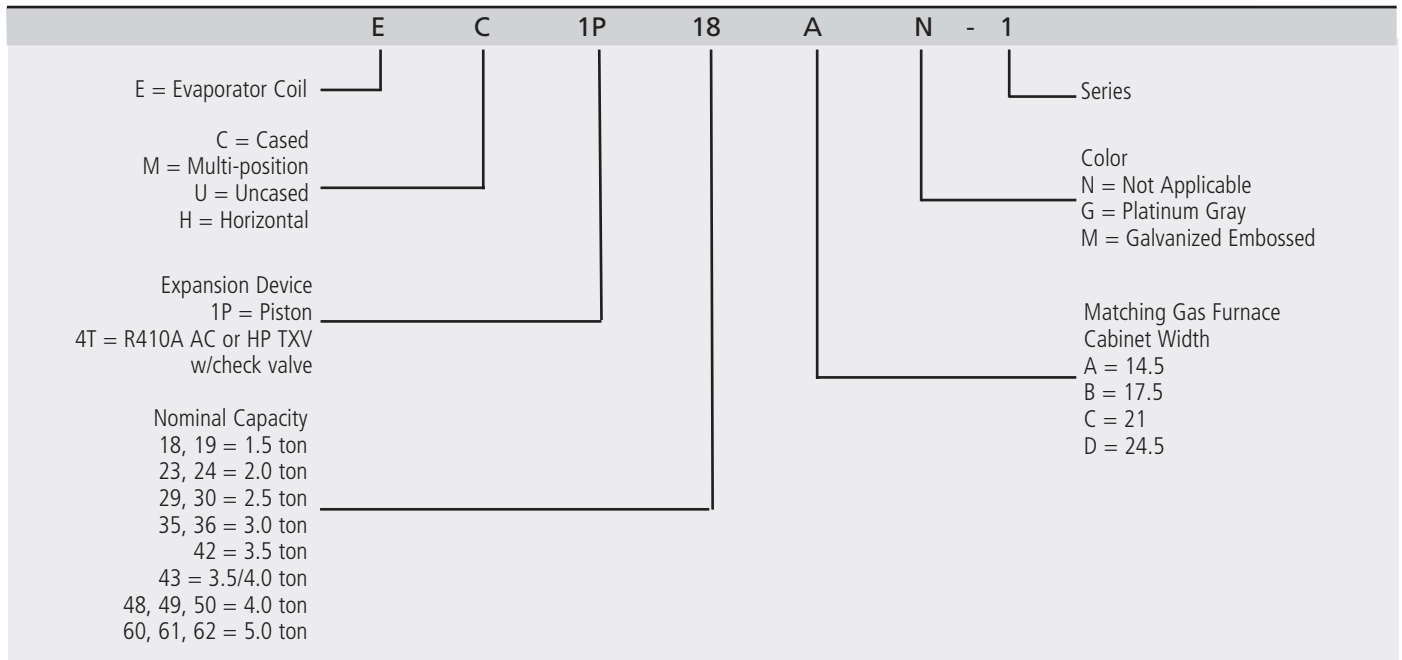
Refrigerant connections on top of coil for ease of installation in left or right airflow furnaces



**CONCORD**™  
Quality heating and cooling products

# Evaporator Coils

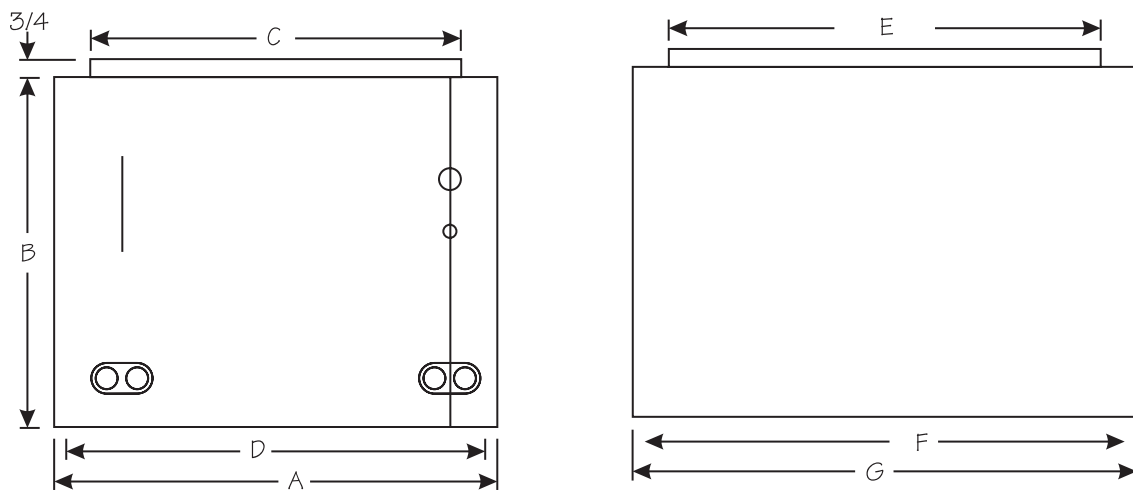
## Model Number Guide



## Coil Pressure Drop

Evaporator	Wet Coil Pressure Drop CFM									
	600	800	1000	1200	1400	1600	1800	2000	2200	2400
E**19A	.09	.16	.24	--	--	--	--	--	--	--
E**18A,B	.17	.25	.39	.52	--	--	--	--	--	--
E**23A	.10	.18	.26	.36	--	--	--	--	--	--
E**23B	.09	.15	.22	.31	--	--	--	--	--	--
E**24A,B	.12	.21	.30	.43	.55	--	--	--	--	--
E**29A	.08	.13	.20	.28	.37	--	--	--	--	--
E**29B	.06	.11	.16	.23	.31	--	--	--	--	--
E**30A	--	.14	.21	.30	.39	.51	--	--	--	--
E**30B,C	--	.11	.16	.21	.28	.34	--	--	--	--
E**36A	--	.14	.21	.30	.39	.51	--	--	--	--
E**36B	--	.11	.16	.21	.28	.34	--	--	--	--
E**36C	--	.06	.11	.17	.23	.29	--	--	--	--
E**43B	--	--	.13	.18	.24	.31	.40	--	--	--
E**43C	--	--	.09	.12	.16	.20	.24	--	--	--
E**48B	--	--	.13	.18	.24	.31	.40	--	--	--
E**48C	--	--	--	.17	.23	.29	.37	.43	--	--
E**49C	--	--	--	.12	.17	.22	.28	.35	--	--
E**50C	--	--	--	.17	.23	.29	.37	.43	--	--
E**60D	--	--	--	--	.15	.18	.21	.27	.32	.37
E**62C	--	--	--	--	.19	.23	.28	.34	.40	.46
E**62D	--	--	--	--	.15	.18	.21	.27	.32	.37

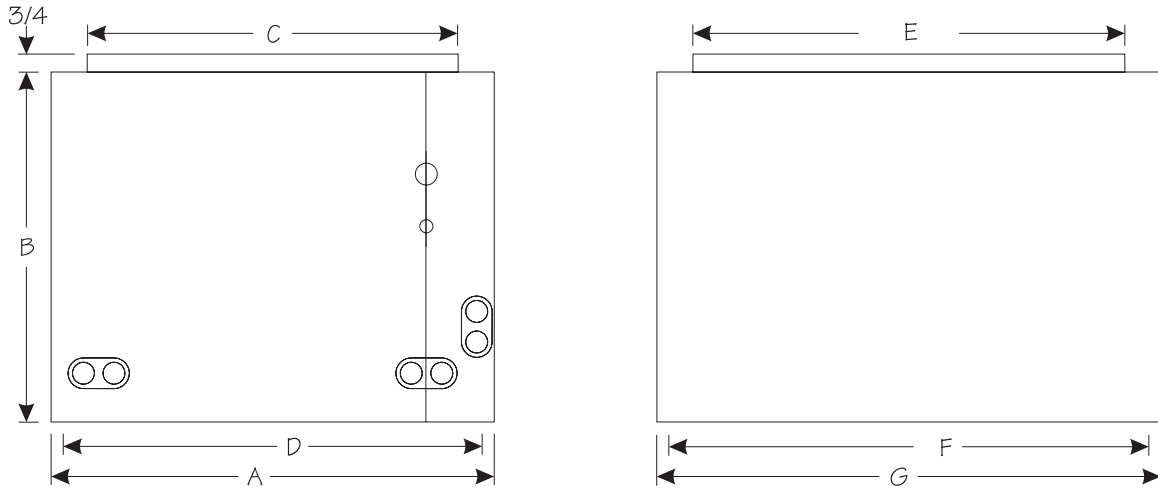
Dimensions - Cased



Model	A (in.)	B (in.)	C (in.)	D (in.)	E (in.)	F (in.)	G (in.)	Orifice	Refrigerant Connections		Weight (lbs.)
									Liquid (in.)	Vapor (in.)	
EC1P18AM	14-1/2	16-1/2	13	13-1/2	18	20-1/2	21	.051	3/8	3/4	31
EC1P19AM	14-1/2	16-1/2	13	13-1/2	18	20-1/2	21	.051	3/8	3/4	35
EC1P23AM	14-1/2	18-1/2	13	13-1/2	18	20-1/2	21	.057	3/8	3/4	39
EC1P23BM	17-1/2	18-1/2	16	16-1/2	18	20-1/2	21	.057	3/8	3/4	41
EC1P24AM	14-1/2	20-1/2	13	13-1/2	18	20-1/2	21	.057	3/8	3/4	37
EC1P29AM	14-1/2	25-1/2	13	13-1/2	18	20-1/2	21	.065	3/8	3/4	47
EC1P30AM	14-1/2	24-1/2	13	13-1/2	18	20-1/2	21	.065	3/8	3/4	45
EC1P30BM	17-1/2	24-1/2	16	16-1/2	18	20-1/2	21	.065	3/8	3/4	46
EC1P36AM	14-1/2	24-1/2	13	13-1/2	18	20-1/2	21	.073	3/8	3/4	49
EC1P36BM	17-1/2	24-1/2	16	16-1/2	18	20-1/2	21	.073	3/8	3/4	51
EC1P36CM	21	24-1/2	19-1/2	20	18	20-1/2	21	.073	3/8	3/4	55
EC1P43BM	17-1/2	29-1/2	16	16-1/2	18	20-1/2	21	.076	3/8	7/8	60
EC1P43CM	21	29-1/2	19-1/2	20	18	20-1/2	21	.076	3/8	7/8	63
EC1P48BM	17-1/2	24-1/2	16	16-1/2	18	20-1/2	21	.082	3/8	7/8	52
EC1P48CM	21	24-1/2	19-1/2	20	18	20-1/2	21	.082	3/8	7/8	55
EC1P49CM	21	29-1/2	19-1/2	20	19	21-1/2	22	.093	3/8	7/8	72
EC1P50CM	21	27-1/2	19-1/2	20	18	20-1/2	21	.082	3/8	7/8	66
EC1P59DM	25-1/2	28-1/2	24	24-1/2	18	20-1/2	21	.090	3/8	7/8	76
EC1P60DM	24-1/2	25-1/2	23	23-1/2	18	20-1/2	21	.093	3/8	7/8	66
EC1P62CM	21	31-1/2	19-1/2	20	19	21-1/2	22	.093	3/8	7/8	76
EC1P62DM	24-1/2	29-1/2	23	23-1/2	18	20-1/2	21	.093	3/8	7/8	77

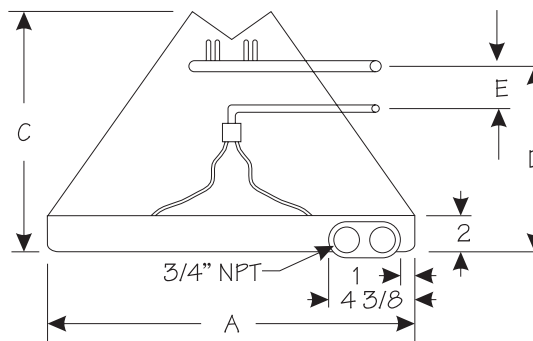
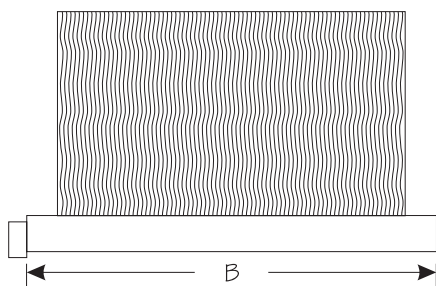
# Evaporator Coils

## Dimensions - Multi-Position



Model	A (in.)	B (in.)	C (in.)	D (in.)	E (in.)	F (in.)	G (in.)	Orifice	Refrigerant Connections		Weight (lbs.)
									Liquid (in.)	Vapor (in.)	
EM1P18AM	14-1/2	25-1/2	13	13-1/2	19-1/2	20-1/2	21	.051	3/8	3/4	45
EM1P19AM	14-1/2	25-1/2	13	13-1/2	19-1/2	20-1/2	21	.051	3/8	3/4	33
EM1P23AM	14-1/2	25-1/2	13	13-1/2	19-1/2	20-1/2	21	.057	3/8	3/4	40
EM1P23BM	17-1/2	25-1/2	16	16-1/2	19-1/2	20-1/2	21	.057	3/8	3/4	40
EM1P24AM	14-1/2	25-1/2	13	13-1/2	19-1/2	20-1/2	21	.057	3/8	3/4	42
EM1P24BM	17-1/2	25-1/2	16	16-1/2	19-1/2	20-1/2	21	.057	3/8	3/4	42
EM1P29AM	14-1/2	25-1/2	13	13-1/2	19-1/2	20-1/2	21	.065	3/8	3/4	40
EM1P29BM	17-1/2	25-1/2	16	16-1/2	19-1/2	20-1/2	21	.065	3/8	3/4	41
EM1P30AM	14-1/2	25-1/2	13	13-1/2	19-1/2	20-1/2	21	.065	3/8	3/4	42
EM1P30BM	17-1/2	25-1/2	16	16-1/2	19-1/2	20-1/2	21	.065	3/8	3/4	42
EM1P36AM	14-1/2	25-1/2	13	13-1/2	19-1/2	20-1/2	21	.073	3/8	3/4	57
EM1P36BM	17-1/2	25-1/2	16	16-1/2	19-1/2	20-1/2	21	.073	3/8	3/4	57
EM1P36CM	21	25-1/2	19-1/2	20	19-1/2	20-1/2	21	.073	3/8	7/8	57
EM1P43BM	17-1/2	27-1/2	16	16-1/2	19-1/2	20-1/2	21	.076	3/8	7/8	45
EM1P43CM	21	27-1/2	19-1/2	20	19-1/2	20-1/2	21	.076	3/8	7/8	45
EM1P48BM	17-1/2	25-1/2	16	16-1/2	19-1/2	20-1/2	21	.082	3/8	7/8	48
EM1P48CM	21	25-1/2	19-1/2	20	19-1/2	20-1/2	21	.082	3/8	7/8	48
EM1P50CM	21	27-1/2	19-1/2	20	19-1/2	20-1/2	21	.082	3/8	7/8	77

## Dimensions - Uncased

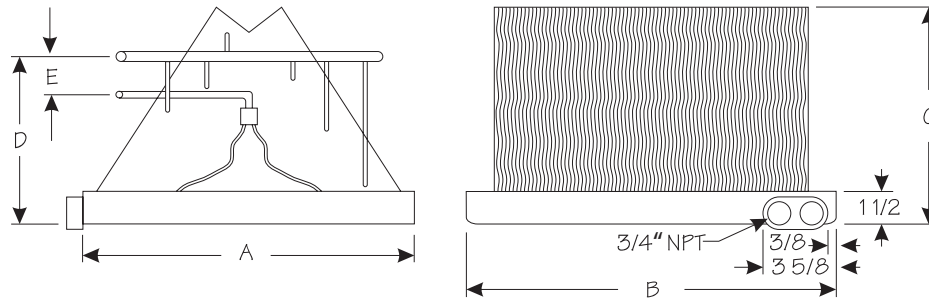


Model	A (in.)	B (in.)	C (in.)	D (in.)	E (in.)	Orifice	Refrigerant Connections		Weight (lbs.)
							Liquid (in.)	Vapor (in.)	
EU1P18AN	13	19-1/2	15	9-1/2	4-1/2	.051	3/8	3/4	18
EU1P19AN	13	19-1/2	15-1/8	9-1/2	4-1/2	.051	3/8	3/4	19
EU1P23AN	13	19-1/2	17-3/16	12-1/2	4-1/2	.057	3/8	3/4	22
EU1P24AN	13	19-1/2	19-3/16	14-1/2	6	.057	3/8	3/4	22
EU1P24BN	15-1/2	19-1/2	18-3/4	14-1/2	6	.057	3/8	3/4	23
EU1P29AN	13	19-1/2	21-1/4	17-1/4	6-1/2	.065	3/8	3/4	24
EU1P29BN	15-1/2	19-1/2	21-1/4	17-1/4	6-1/2	.065	3/8	3/4	25
EU1P30AN	13	19-1/2	23-1/4	17-1/4	6-1/2	.065	3/8	3/4	26
EU1P30BN	15-1/2	19-1/2	23	17-1/4	6-1/2	.065	3/8	3/4	27
EU1P30CN	20	19-1/2	22-1/4	17-1/4	6-1/2	.065	3/8	3/4	29
EU1P36AN	13	19-1/2	23-3/8	17-1/4	6-1/2	.073	3/8	3/4	31
EU1P36BN	15-1/2	19-1/2	23-1/8	17-1/4	6-1/2	.073	3/8	3/4	33
EU1P36CN	20	19-1/2	22-1/2	17-1/4	4-1/2	.073	3/8	3/4	34
EU1P43BN	15-1/2	19-1/2	27-1/4	23-1/4	5-1/2	.076	3/8	7/8	43
EU1P43CN	20	19-1/2	26-3/4	23-1/4	5-1/2	.076	3/8	7/8	44
EU1P48BN	15-1/2	19-1/2	23-1/8	9-1/4	4-1/2	0.82	3/8	7/8	33
EU1P48CN	20	19-1/2	22-1/2	9-1/4	4-1/2	0.82	3/8	7/8	35
EU1P49CN	19-1/2	21-1/2	28-5/8	15	*3	0.93	3/8	7/8	53
EU1P50CN	20	19-1/2	26-3/4	23-1/4	5-1/2	0.82	3/8	7/8	40
EU1P62CN	19-1/2	21-1/2	30-5/8	18-1/8	*3	0.93	3/8	7/8	58

\* Suction line is above liquid line.

Dimensions - Uncased continued on next page

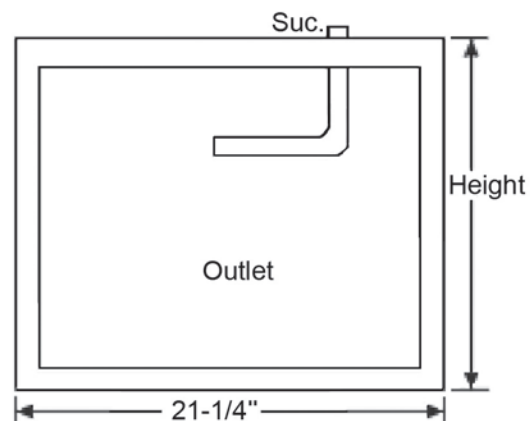
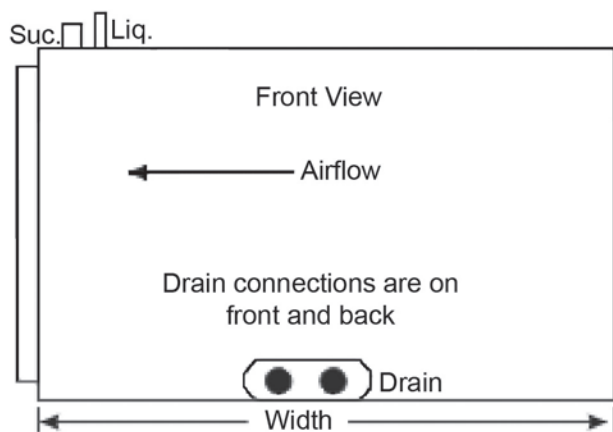
Dimensions - Uncased (continued)



Model	A (in.)	B (in.)	C (in.)	D (in.)	E (in.)	Orifice	Refrigerant Connections		Weight (lbs.)
							Liquid (in.)	Vapor (in.)	
EU1P59DN	25-1/8	20	24-1/2	16-3/4	5	.090	3/8	7/8	49
EU1P60DN	23	19-1/2	24	11-3/8	*3	.093	3/8	7/8	42
EU1P62DN	23	19-1/2	28-1/8	18-1/4	4-5/8	.093	3/8	7/8	48

\* Liquid line is located above suction line.

## Dimensions - Horizontal



Model	Height	Width	Supply		Return		Weight (lbs.)	Orifice	Liquid	Vapor
			Height	Width	Height	Width				
EH1P19AM-1	14-1/2	26-1/2	13	19-3/4	13-1/2	20	38	.051	3/8	3/4
EH1P18BM-1	17-1/2	26-1/2	16	19-3/4	16-1/2	20	50	.051	3/8	3/4
EH1P29AM-1	14-1/2	31-1/2	13	19-3/4	13-1/2	20-1/4	56	.065	3/8	3/4
EH1P29BM-1	17-1/2	26-1/2	16	19-3/4	16-1/2	20	45	.065	3/8	3/4
EH1P36BM-1	17-1/2	26-1/2	16	19-3/4	16-1/2	20	56	.073	3/8	3/4
EH1P36CM-1	21	26-1/2	19-1/2	19-3/4	20	20	64	.073	3/8	3/4
EH1P43BM-1	17-1/2	31-1/2	16	19-3/4	16-1/2	20-1/4	52	.076	3/8	7/8
EH1P43CM-1	21	26-1/2	19-1/2	19-3/4	20	20	56	.076	3/8	7/8
EH1P49CM-1	21	31-1/2	19-1/2	19-3/4	20	20-1/4	58	.093	3/8	7/8
EH1P49DM-1	24-1/2	31-1/2	23	19-3/4	23-1/2	20-1/4	66	.090	3/8	7/8
EH1P62CM-1	21	31-1/2	19-1/2	19-3/4	20	20-1/4	63	.093	3/8	7/8
EH1P62DM-1	24-1/2	31-1/2	23	19-3/4	23-1/2	20-1/4	63	.093	3/8	7/8

**CONCORD**<sup>™</sup>  
*Quality heating and cooling products*  
www.concord-air.com  
1-800-448-5872

All specifications and illustrations  
subject to change without notice  
and without incurring obligations.