

Series WFE

Universal Water Feeder

McDonnell & Miller **Universal Water Feeders** are ideal for use in residential or small commercial applications.

Versatile and compact, they are easily installed to operate with either a probe- or float-type low water cut-off. The feeders are always ready to add water when given the signal from the LWCO - no need to manually add water.

Features and Benefits Include:

Multi-Color LED.

The series WFE features a multi-color LED that makes verification of operation and troubleshooting easier.

Dwell/Feed Selector Switch

The water feeder has a DIP type switch block with four on/off switches. Each switch has a specific dwell/feed cycle which is activated upon receiving a signal from the LWCO. The feeder will be deactivated when the LWCO is satisfied or if the dwell/feed period has been exceeded.

Manual Feed

There is a manual feed button which when pressed will add water to the boiler.

Dwell /Feed Cycle Limit

For all cycles on the WFE, the feeder will stop feeding when the selected dwell/feed cycle has timed out. By limiting the cycle time, the potential for flooding the system is reduced.



For over 85 years, McDonnell & Miller has been a name you can trust and rely on for boiler safety controls.



McDonnell & Miller
a xylem brand

We invented the universal water feeder.

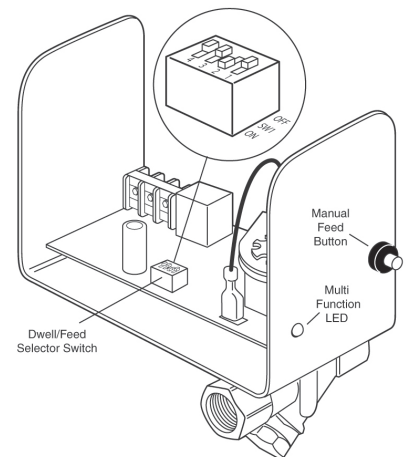
McDonnell & Miller designed the first universal water feeder, compatible with a variety of manufacturers' low water cut-offs. Its simplicity, ease of installation and reliable operation have made it the number one universal water feeder in the market today. We have maintained the reliability and simplicity of operation while updating features/functions to meet the needs of today's boilers.

Multi-Color LED

Flashing Green	Dwell Period - Solenoid Closed
Solid Green	Feed Period - Solenoid Open
Flashing Red	Invalid Feed Cycle Switch Selection
Solid Red	Dwell/Feed Cycle Exceeded and still receiving signal from LWCO

Four Position On/Off Dip Switch for Selecting Feed Cycles.

Switch Position		Initial Dwell (secs)	Initial Feed (secs)	Dwell/Feed Cycles
1	Immediate Feed (5 minute max.)	0	300	1
2	60 sec dwell/feed (5 cycles max.)	60	60	5
3	30 sec dwell 270 sec feed	30	270	1
4	120 sec dwell 180 sec feed	120	180	1



Ordering Information

Model Number	Part Number	Description
WFE-24	169550	Electrical Water Feeder, 24V
WFE-120	169560	Electrical Water Feeder, 120V



Xylem Inc.
 8200 N. Austin Avenue
 Morton Grove, Illinois 60053
 Phone: (847) 966-3700
 Fax: (847) 965-8379
www.xylem.com/brands/mcdonnellmiller

McDonnell & Miller is a trademark of Xylem Inc. or one of its subsidiaries.
 © 2012 Xylem, Inc. MPF-005 June 2012