

Wet Environments? No Problem.

Introducing the game changer for the refrigeration industry.
The RESCUE[®] ECM Watt Motor.



- IP67 (Capable of being submerged in water up to 30 minutes)
- Wide range of motor strength covered (4 to 25 Watt)
- Efficiency: Up to 70%

Nidec Motor Corporation, 2017; All Rights Reserved.

The U.S. MOTORS[®] is a registered trademark of Nidec Motor Corporation. Nidec Motor Corporation trademarks followed by the © symbol are registered with the U.S. Patent and Trademark Office.



www.usmotors.com

RESCUE® ECM Watt Motors

Refrigeration Evaporator and Condensing Applications



Part Number: EC5411E, EC5412E

Horsepower: 4 to 25 Watts

Speed Range: 1550 to 1725 RPM applications

Rated Voltages: 115V-230V

Temperature Rating: -40° C to +55° C (-40° F to +130° F)

Amps: 0.15 to 0.75

Hertz: Rated 50/60 Hz

Enclosure: Totally Enclosed Air Over (TEAO)

Warranty: Two years from installation



Product Overview and Options

The new RESCUE® ECM watt motor is the next addition of the RESCUE motor family to support refrigeration contractors. It covers a range of wattage and speed specifications, thereby reducing your inventory. It is packaged with the adapters for single and four post fan hubs.

The back of the motor features the holes to support various OEM evaporator mounting brackets and two sets of mounting feet for condenser mounting.

The front of the motor features four threaded holes designed to easily adapt to Elco top-mount applications.

What is IP67?

"IP" means "Ingress Protection" rating. The numbers describe the level of protection versus solids and liquids.

First digit:

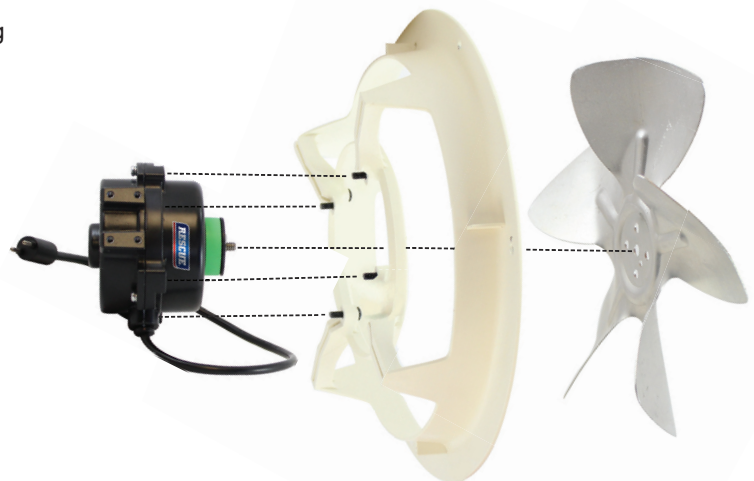
- **Ingress of solids:** "Dust Tight" protection against entry of dust.

Second digit:

- **Ingress of liquids:** Protection against "heavy seas or a strong jet of water from all practicable directions and submersible for short periods of time."
- **Submersible design:** In situations where the drains are unknowingly clogged (which typically leads to premature motor failure due to overexposure to liquids), rest assured, the robust design of the Rescue ECM watt motor will handle these extreme conditions. It is capable of operating while the motor is submerged in noncorrosive liquids in as much as 3 feet deep for up to 30 minutes.

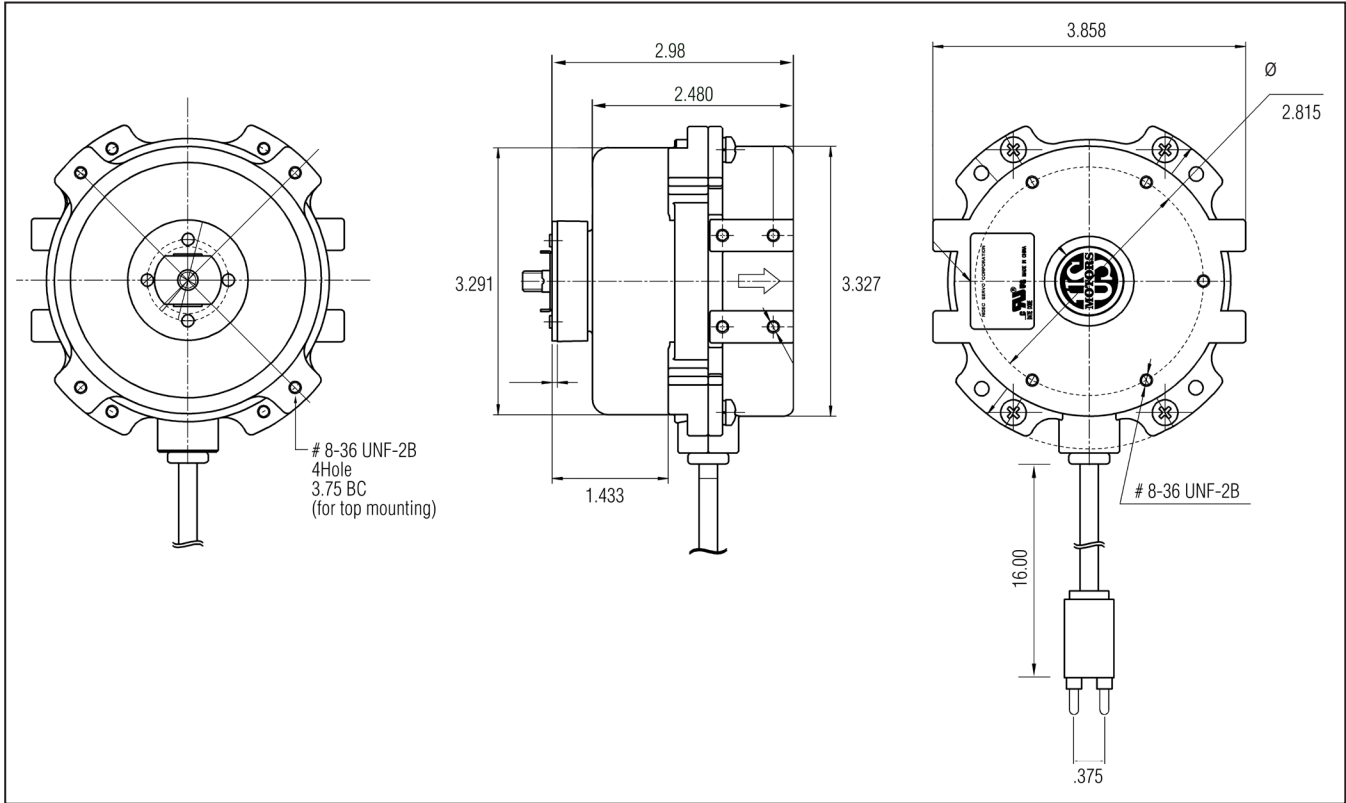
Product Features:

- **IP67:** Capable of being submerged in water up to 30 minutes
- Suitable for use in Evaporator and Condenser Applications
- High Efficiency up to 70%
- Universal Mounting – Including Elco top-mount
- Standard 3 hole style/Hussmann
4 hole on back of motor
- Dual Voltage: No connection change required
- Thermally protected
- Robust Ball Bearing System
- Aluminum Frame
- Stainless Steel Shaft, Shaft Size ¼-20 thread
- Operating Temperature Range: -40°C to 55°C
- Meets ATEX Directive 94/9/EC



Catalog Number	Rotation	RPM/ Spds	Amps*	HP	Voltage	Shaft Height	Shaft Diameter	Ship Weight
EC5411E	CWOSE	1550-1725	.22 -.75@115V	4-25W	115-230	0.425	1/2-20 thd	2.0
EC5412E	CCWOSE	1550-1725	.15 -.45@230V					

*Amp draw varies by voltage, applies to both ratings in group



Kit 58 available to be used when replacing rectangular, 51 frame, EC motors to adjust for fan position or when a flat mounting surface is needed



Kit 58



Kit 40

58mm OEM Fan Pack Replacements, assembled with blade and shroud



Catalog Number	CFM	Voltage	RPM	Rotation	Ship Weight	Industry Numbers
EC5470FP	250	115-230	1550-1625	CWOSE	4.0	5470, 5R026, 5R027, 477668, 5SME58AAF1027, 461802
EC5472FP	360	115-230	1550-1725	CWOSE	4.0	5472, 5R028, 477669, 5SME58AAF1031, 461802



NIDEC MOTOR CORPORATION

8050 W. Florissant Avenue | St. Louis, MO 63136
Phone: 855-487-6686 | Fax: 800-899-2887

† All marks shown within this document are properties of their respective owners.

RESCUE® ECM Walk-in Evaporator Motors



High Efficiency ECM Refrigeration Motor designed for Walk-in Coolers / Freezer Applications

Product Overview

Product Features:

- IP67 Dust Tight with All Angle Moisture Protection
- High Efficiency up to 70%
- UL/CUL Approved
- Operating Temperature Range -40°C to 55°C
- Dual Voltage: No Connection Change Required
- Rated 50/60 Hertz
- Body Style - Low Profile
- Stainless steel shaft with flat
- Standard 10-32 Thread Mounting Studs
- 18" cord Lyall/OEM Plug
- Electronically Protected
- Robust Ball Bearing System
- Meets ATEX Directive 94/9/EC
- 2 year warranty from installation



EC5408E



EC5407E



Kit 40
90° Cable
Adapter



Kit 42 (5/8") and / Kit 42T (1 5/8")
Rear Stud Mount Adapter

HP	RPM/ Spds	Voltage	Catalog Number	Amps*	Rotation	Shaft Height	Total Length	Shaft Diameter	Ship Weight
1/15-1/25 (50W-30W)	1550/800	115-230	EC5408E	.60-.72@115V	CCWOSE REV	3.07	6.4	0.313	3.0
1/15-1/25 (50W-30W)	1550-1625	115-230	EC5407E**	.40-.67@230V	CCWOSE	2.50	5.0	0.313	3.0

* Amp draw varies by voltage, applies to both ratings in group
** 3 Studs 120 degrees apart

EC5404D and EC5405D replaced by EC5408E
EC5407D replaced by EC5407E

† All marks shown within this document are properties of their respective owners.

Nidec Motor Corporation, 2017; All Rights Reserved. U.S. MOTORS® is a registered trademark of Nidec Motor Corporation.
Nidec Motor Corporation trademarks followed by the ® symbol are registered with the U.S. Patent and Trademark Office.



8050 W. Florissant Avenue | St. Louis, MO 63136
Phone: 855-487-6686 | Fax: 800-899-2887