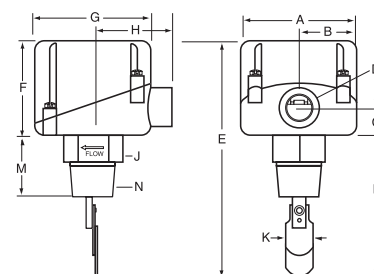
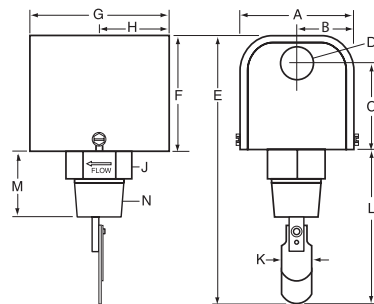


## Flow Switches – Liquid

### Series FS250

#### General Purpose Liquid Flow Switches

- Universal design serves the widest variety of applications
- For starting or stopping electrically operated equipment such as signal lights, alarms, motors, automatic burners, metering devices and others
- Replacement for common flow switches from Johnson/Penn, Potter/Taco, Watts, Hydrolevel and other manufacturers
- 1" NPTM Pipe Connection
- Sensitivity adjusting screw makes flow adjustment easy
- Single pole, double throw snap switch
- EPDM O-ring sealed
- Four stainless steel paddles included - 1", 2", 3" & 6" (25, 50, 80, & 150mm)
- Minimum temperature (fluid or ambient) 32°F (0°C)
- Maximum temperature 250°F (121°C)
- Maximum pressure 160 psi (11.2 kg/cm<sup>2</sup>)
- **Models:**  
 FS251 - NEMA1 enclosure  
 FS254 - NEMA4 enclosure



### Dimensions, in. (mm)

	A	B	C	D	E	F	G
FS251	3 (76)	1-1/2 (38)	2-7/32 (56)	7/8 (22)	8-7/16 (211)	2-15/16 (75)	3-3/8 (86)
FS254	3-1/4 (83)	1-5/8 (41)	3/4 (19)	1/2 NPTF	8-3/8 (213)	2-3/4 (70)	3-7/8 (98)

	H	J	K	L	M	N	O Turn-in Radius (not shown)
FS251	1-11/16 (43)	1-1/2 (38)	1-1/8 (29)	3-7/16 (87)	2-1/16 (52)	1" NTPM	2-5/16 (59)
FS254	2-1/4 (57)	1-1/2 (38)	1-1/8 (29)	3-7/16 (87)	1-7/8 (48)	1" NTPM	2-5/16 (59)

## Flow Switches – Liquid

### Series FS250 (continued) General Purpose Liquid Flow Switches

#### Flow Rates

Pipe Size NPT in.	Settings	Mode of Operation		Max. Flow Rate gpm (lpm) w/o Paddle Damage
		Flow gpm (lpm)	No Flow gpm (lpm)	
1	Factory or			27 (102)
	Minimum	5.8 (22)	5.1 (19)	
	Maximum	12.6 (48)	11.9 (45)	
1¼	Factory or			47 (178)
	Minimum	6.7 (25)	6.0 (23)	
	Maximum	19.1 (72)	18.0 (68)	
1½	Factory or			63 (242)
	Minimum	8.4 (32)	7.0 (26)	
	Maximum	25.3 (96)	24.1 (91)	
2	Factory or			105 (397)
	Minimum	12.9 (49)	11.2 (42)	
	Maximum	31.5 (119)	30.2 (114)	
2½	Factory or			149 (564)
	Minimum	17.9 (68)	14.5 (55)	
	Maximum	43.2 (164)	40.0 (151)	
3	Factory or			230 (871)
	Minimum	26.2 (99)	20.2 (76)	
	Maximum	54.9 (208)	49.8 (188)	
4	Factory or			397 (1503)
	Minimum	42.0 (159)	33.7 (128)	
	Maximum	75.6 (286)	68.0 (257)	
5	Factory or			654 (2475)
	Minimum	54.6 (207)	46.7 (177)	
	Maximum	109.4 (414)	98.4 (372)	
6	Factory or			900 (3407)
	Minimum	67.7 (256)	60.2 (228)	
	Maximum	131.1 (496)	123.5 (467)	

Values are ± 10%

**NOTE: DO NOT USE LIQUID FLOW SWITCHES ON SYSTEMS WITH FLOW GREATER THAN 10 FEET (3M) PER SECOND.**

#### Electrical Ratings

Voltage	Motor Switch Rating (Amperes)		Pilot Duty
	Full Load	Locked Rotor	
120 VAC	7.4	44.4	125 VA at 120 or 240 VAC 50 or 60 cycles
240 VAC	3.7	22.2	

#### Ordering Information

Model Number	Part Number	Description	Weight lbs. (kg)
FS251	120611	General purpose flow switch-- NEMA1	1.9 (0.9)
FS254	120610	General purpose flow switch-- NEMA4	1.9 (0.9)