

**embraco**

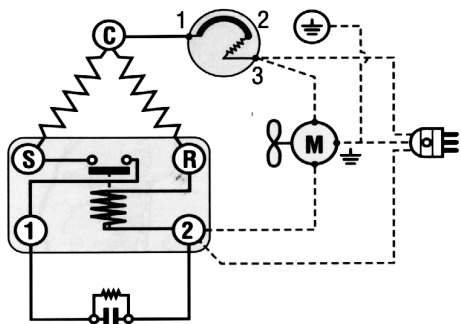
**NEK2134GK**

**LBP**

**115 V**

**404A**

**Wiring Diagram**



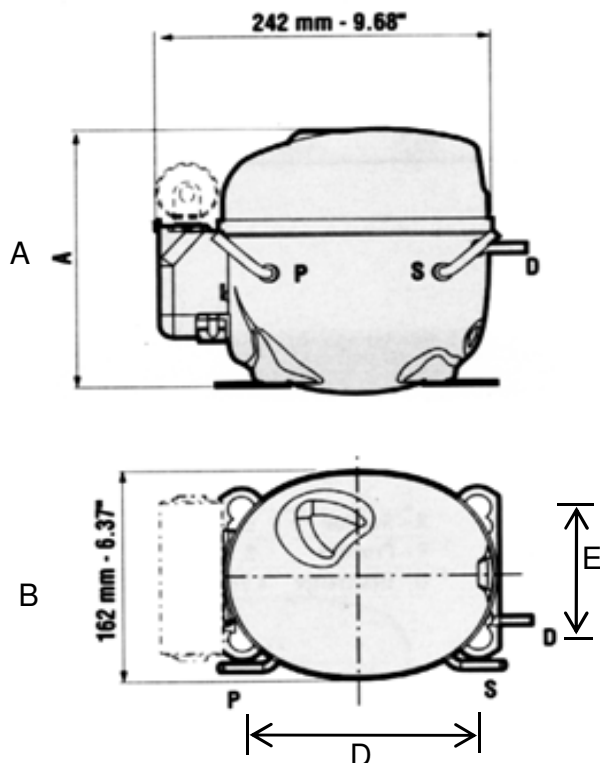
**Compressor Terminals**

- C = Common
- R = Run
- S = Start

Electrical components are supplied unassembled. Use of components other than specified will void warranty.

**Dimensions (inches)**

A:7.9" B: 6.37" C: 9.68" D: 6.5" E: 4"



**Tube Diameter**

ID	Inch	MM
process	.254	6.45
suction	.316	8.03
discharge	.254	6.45

**Technical Specifications**

Rev 10/12

Mechanical Data	English	Metric	Electrical Data	
Bore	1.04 in	26.5 mm	<b>motor:</b> 2 pole - 1 phase	CSIR
Stroke	.63 in	15.92 mm	voltage	115v / 60 Hz
Displacement	.535 cu. In	8.77 cc	voltage range	103-127v
Speed	3,500 rpm	3,500 rpm	run winding resistance at 25° C	.96 Ω
Weight	24.25 lb	11 kg	start winding resistance at 25° C	6.1 Ω
Oil Charge	11.84 oz.	350 ml	locked rotor current	37.5 amps

**Compressor Cooling:**

Fan cooled by forced draft over shell with 6 watt minimum fan.


**Restrictor:**

Expansion valve or capillary tube

**capacitor:**

capacitance  
voltage

189-227 mfd  
165v

	<b>NEK2134GK</b>	<b>LBP</b>	<b>115 V</b>	<b>404A</b>
<b>Specifications</b> Approximate H. P. 1/2 Starting Torque High Refrigerant 404A Evaporator Temperature Low Evaporator Temperature -40° to 14°F			<b>Usage</b> Drinking Water Coolers Dehumidifiers Ice Machines Reach In Refrigerators Beer Coolers	

<b>LBP Performance</b>					
<b>Temperature °F</b>	-22	<b>-10</b>	-4	5	14
<b>Capacity BTU/Hr</b>	1,372	<b>1,948</b>	2,277	2,824	3,435
<b>Power W</b>	362	<b>433</b>	471	526	581
<b>Current Amps</b>	5.1	<b>5.5</b>	5.73	6.1	6.51
<b>Temperature °C</b>	-30	<b>-23.3</b>	-20	-15	-10
<b>Capacity Kcal/Hr</b>	346	<b>491</b>	574	712	866

<b>LBP Rating</b>		<b>Rating Point (Bolded above)</b>	<b>HBP Rating</b>	
Condensing	130°F		Condensing	130°F
Evaporator	-10°F		Evaporator	45°F
Return Gas	90°F		Return Gas	95°F
Ambient	90°F		Ambient	95°F
Liquid Temp.	90°F		Liquid Temp.	115°F

<b>Material</b>	<b>Part number</b>	<b>Description</b>	<b>Compressor Cross Ref.</b>
Compressor	958AG71		Model            Appl.
Relay	2283012		
Overload	2321086		
Start Cap	2252335	189-227 mfd / 165v	
Grommet	2221003		
Sleeve	2222015		

**EMBRACO NORTH AMERICA, INC.**  
2800 Vista Ridge Dr. Suite 100, Suwanee Ga, 30024 Phone: 678-804-1337