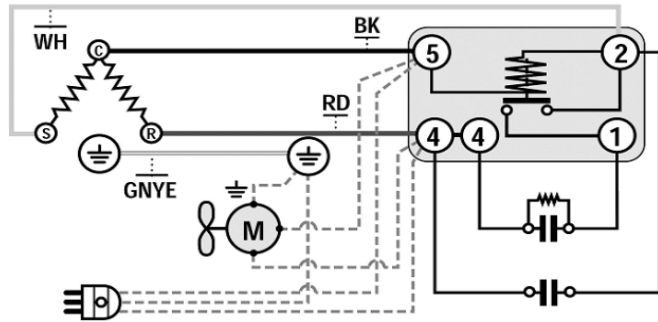


Wiring Diagram



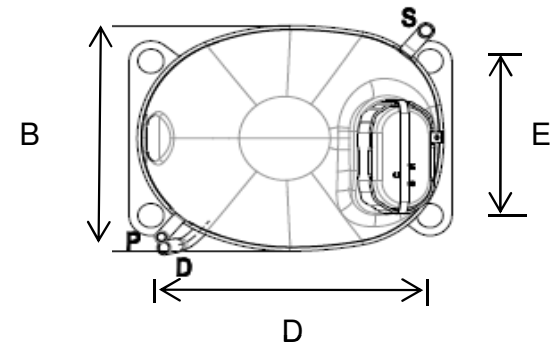
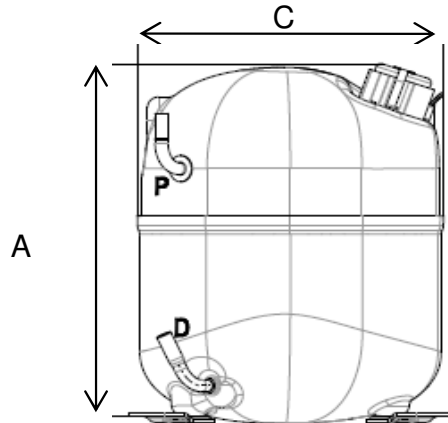
Compressor Terminals

- C = Common
- R = Run
- S = Start

Electrical components are supplied unassembled. Use of components other than specified will void warranty.

Dimensions (inches)

A:10.9" B: 7.05" C: 8.8" D: 8" E: 4.8"



Tube Diameter

ID	Inch	MM
Process	.253-1/4	6.42
Suction	.503-1/2	12.77
Discharge	.315-5/16	8

Technical Specifications

Rev 10-2016

Mechanical	English	Metric	Electrical Data	
Bore	1.64 in	41.77 mm	Motor:	CSR
Stroke	.75 in	19.07 mm	Voltage	208-230
Displacement	1.593 cu. In	26.11 cc	Voltage range	187-253
Speed	3,500 rpm	3,500 rpm	Run winding resistance at 25°C	1.23 Ω
Weight	48.06 lb	21.8 kg	Start winding resistance at 25°C	5.11 Ω
Oil Charge	25.36 oz.	750 ml	Locked rotor current	44 amps
Oil type	POE	ISO22	RLA: LBP-60Hz	7.5 amps

Compressor Cooling:

Fan cooled by forced draft over shell with 6 watt minimum fan.

Restrictor:

Capillary tube or Expansion valve

Capacitor:

Start Cap	88-108 mfd	330V
Run Cap	17.5 mfd	440V

embraco	NJ2192GJ2	LBP	208-230	404A
Specifications Approximate H. P. 1 1/4 Starting Torque High Refrigerant 404A Evaporator Temperature Low Evaporator Temperature -40° to 14°F			Usage Drinking Water Coolers Dehumidifiers Ice Machines Reach In Refrigerators Beer Coolers	

LBP Performance 208V					
Temperature °F	-22	-10	-4	5	14
Capacity BTU/Hr		4,775			
Power W		1,055			
Current Amps		5.44			
Temperature °C	-30	-23.3	-20	-15	-10
Capacity Kcal/Hr		1,203			

LBP Rating	ASHRAE	Rating Point (Bolded above)	HBP Rating	
Condensing	130°F		Condensing	N/A
Evaporator	-10°F		Evaporator	N/A
Return Gas	90°F		Return Gas	N/A
Ambient	90°F		Ambient	N/A
Liquid Temp.	90°F		Liquid Temp.	N/A

Material	Part number	Description	Compressor Cross Ref.	
			Model	Appl.
Compressor	943CD11	NJ2192GJ2		
Relay	1253003-ESP			
Overload	Internal			
Start Cap	2252269-ESP	88-108 mfd / 330V		
Run Cap	2253311-ESP	17.5 mfd / 440V		
Electrical box	1272375			
Grommet	2221004			
Sleeve	2222016			

EMBRACO NORTH AMERICA, INC.
1610 Satellite Blvd. Suite B, Duluth Ga, 30097 Phone: 678-805-3074