

**embraco**

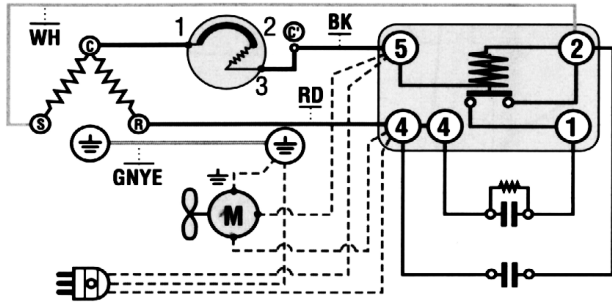
**NT2192GKV**

**LBP**

**115V**

**404A**

**Wiring Diagram**



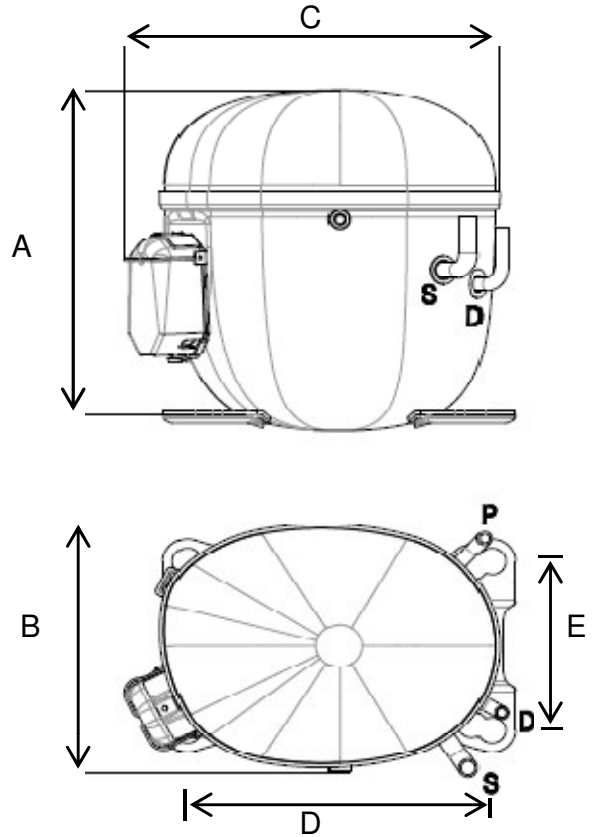
**Compressor Terminals**

- C = Common
- R = Run
- S = Start

Electrical components are supplied unassembled. Use of components other than specified will void warranty.

**Dimensions (inches)**

A:9.2" B: 7" C: 10" D: 8" E: 4.8"




**Tube Diameter**

ID	Inch	MM
process	.253	6.42
suction	.378	9.6
discharge	.253	6.42

**Technical Specifications**

Rev 5-2013

Mechanical Data	English	Metric	Electrical Data	
Bore	1.46 in	36.99 mm	<b>Motor:</b> 2 pole - 1 phase	CSCR
Stroke	.82 in	20.83 mm	Voltage	115v / 60 Hz
Displacement	1.365 cu. In	22.37 cc	Voltage range	103-127v
Speed	3,500 rpm	3,500 rpm	Run winding resistance at 25° C	.34 Ω
Weight	38.58 lb	17.5 kg	Start winding resistance at 25° C	2.59 Ω
Oil Charge	15.22 oz.	450 ml	Locked rotor current	56 Amps
Oil type	ESTER ISO22			
<b>Compressor Cooling:</b> Fan cooled by forced draft over shell with 6 watt minimum fan.				
<b>Restrictor:</b> Capillary tube or Expansion valve			<b>Capacitor:</b> Start Cap            243-292 mfd Run Cap              35 mfd	165v 440v

	<b>NT2192GKV</b>	<b>LBP</b>	<b>115 V</b>	<b>404A</b>
<b>Specifications</b> Approximate H. P. 1 1/4 Starting Torque High Refrigerant 404A Evaporator Temperature Low Evaporator Temperature -40° to 14°F			<b>Usage</b> Drinking Water Coolers Dehumidifiers Ice Machines Reach In Refrigerators Beer Coolers	

<b>LBP Performance ARI</b>					
<b>Temperature °F</b>	-22	<b>-10</b>	-4	5	14
<b>Capacity BTU/Hr</b>	1,845	<b>3,219</b>	3,129	3,959	4,907
<b>Power W</b>	773	<b>922</b>	1,026	1,169	1,323
<b>Current Amps</b>	7.52	<b>8.77</b>	9.73	11.03	12.46
<b>Temperature °C</b>	-30	<b>-23.3</b>	-20	-15	-10
<b>Capacity Kcal/Hr</b>	465	<b>811</b>	788	998	1,237

<b>LBP Rating</b>	<b>ARI</b>	<b>Rating Point (Bolded above)</b>	<b>HBP Rating</b>	N/A
Condensing	120°F		Condensing	
Evaporator	-10°F		Evaporator	
Return Gas	40°F		Return Gas	
Ambient	95°F		Ambient	
Liquid Temp.	120°F		Liquid Temp.	

<b>Material</b>	<b>Part number</b>	<b>Description</b>	<b>Compressor Cross Ref.</b>	
			<b>Model</b>	<b>Appl.</b>
Compressor	923DG02	NT2192GKV		
Relay	1253001	RVA2AE3C-105		
Overload	2295004	CRA1773-3029		
Start Cap	2252273	243-292 mfd / 165v		
Run Cap	2253315	35 mfd / 440v		
Grommet	2221004			
Sleeve	2222016			

**EMBRACO NORTH AMERICA, INC.**  
 2800 Vista Ridge Dr. Suite 100, Suwanee Ga, 30024 Phone: 678-804-1337