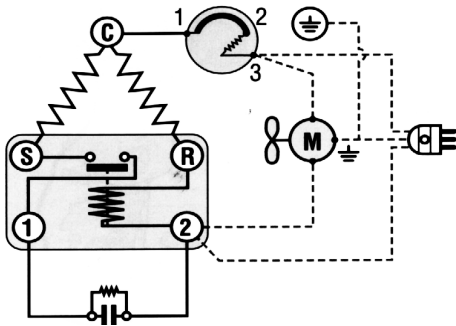


**Wiring Diagram**



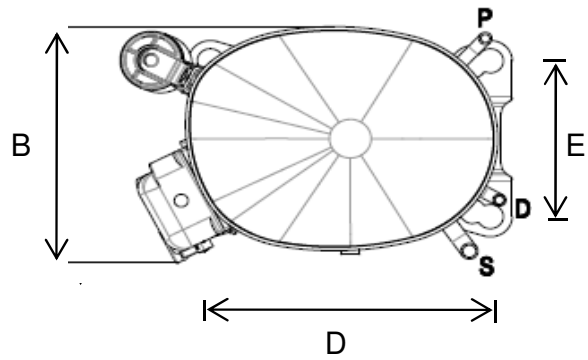
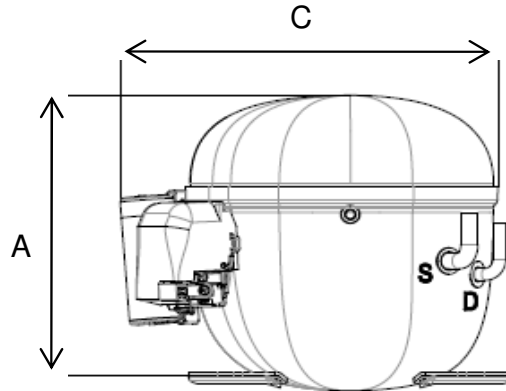
**Compressor Terminals**

- C = Common
- R = Run
- S = Start

Electrical components are supplied unassembled. Use of components other than specified will void warranty.

**Dimensions (inches)**

A:8.1" B: 7.3" C: 10.7" D: 8" E: 4.8"




**Tube Diameter**

ID	Inch	MM
Process	.378-3/8	9.6
Suction	.378-3/8	9.6
Discharge	.253-1/4	6.42

**Technical Specifications**

Rev 1-2014

Mechanical Data	English	Metric	Electrical Data	
Bore	1.34 in	34.12 mm	<b>Motor:</b> 2 pole - 1 phase	CSIR
Stroke	.75 in	19.03 mm	Voltage	115V / 60 Hz
Displacement	1.061 cu. In	17.39 cc	Voltage range	103-127v
Speed	3,500 rpm	3,500 rpm	Run winding resistance at 25° C	.6 Ω
Weight	36.38 lb	16.5 kg	Start winding resistance at 25° C	4.3 Ω
Oil Charge	15.22 oz.	450 ml	Locked rotor current	44 amps
Oil Type	POE	ISO22	FLA: MBP/HBP-60Hz	9.5 amps
<b>Compressor Cooling:</b> Fan cooled by forced draft over shell with 6 watt minimum fan.				
<b>Restrictor:</b> Capillary tube or Expansion valve			<b>Capacitor:</b>	
			Start Cap	145-175 mfd 165V
			Run Cap	N/A N/A

	<b>NT6215Z</b>	<b>HBP</b>	<b>115 V</b>	<b>134a</b>
<b>Specifications</b> Approximate H. P. 1/2+ Starting Torque High Refrigerant 134a Evaporator Temperature Med/High Evaporator Temperature 5° to 50°F			<b>Usage</b> Drinking Water Coolers Dehumidifiers Ice Machines Reach In Refrigerators Beer Coolers	

<b>HBP Performance</b>					
<b>Temperature °F</b>	14	23	32	<b>45</b>	50
<b>Capacity BTU/Hr</b>	3,120	3,968	4,946	<b>6,626</b>	7,315
<b>Power W</b>	576	650	720	<b>810</b>	843
<b>Current Amps</b>	7.26	7.76	8.26	<b>8.95</b>	9.24
<b>Temperature °C</b>	-10	-5	0	<b>7.2</b>	10
<b>Capacity Kcal/Hr</b>	786	1,000	1,246	<b>1,670</b>	1,843

<b>LBP Rating</b>	<b>ASHRAE</b>	<b>Rating Point (Bolded above)</b>	<b>HBP Rating</b>	<b>ASHRAE</b>
Condensing	N/A		Condensing	130°F
Evaporator	N/A		Evaporator	45°F
Return Gas	N/A		Return Gas	95°F
Ambient	N/A		Ambient	95°F
Liquid Temp.	N/A		Liquid Temp.	115°F

<b>Material</b>	<b>Part number</b>	<b>Description</b>	<b>Compressor Cross Ref.</b>	
			<b>Model</b>	<b>Appl.</b>
Compressor	211AG04	NT6215Z		
Relay	2271016	9660C-3018-189		
Overload	2324074	TO878/J5		
Start Cap	2252356	145-174 mfd / 165V		
Grommet	2221004			
Sleeve	2222016			

**EMBRACO NORTH AMERICA, INC.**  
 2800 Vista Ridge Dr. Suite 100, Suwanee Ga, 30024 Phone: 678-804-1337