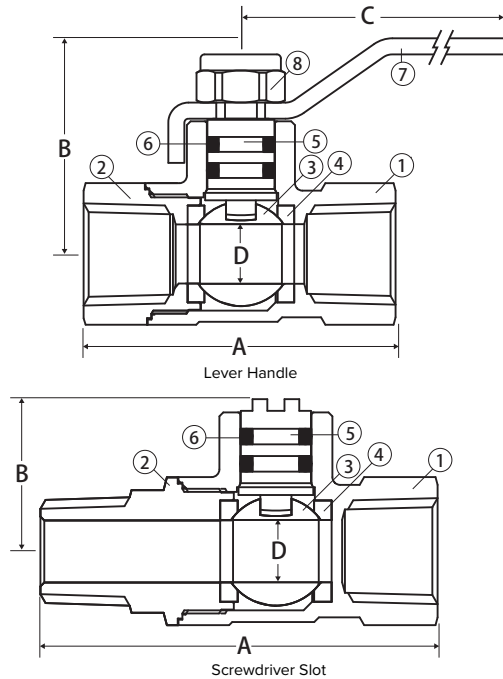
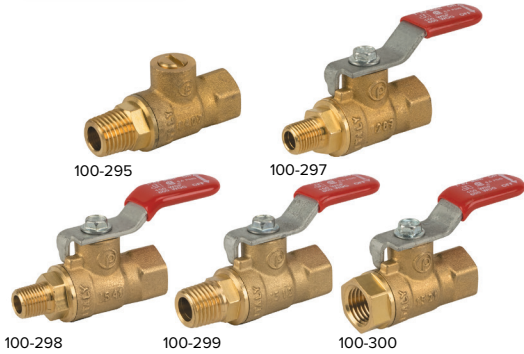


Brass Ball Valve

Mini Valves, 2 Piece, Full Port, Threaded Connection, 600 WOG

T-82-M



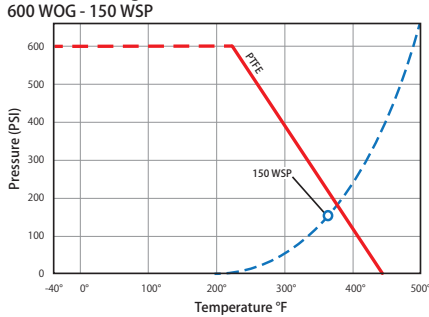
FEATURES

- 2 FKM O-Rings
- Greater Flow Rate
- Large Raised Wrench Flats
- Blow-Out Proof Stem
- 100% Leak Tested
- 100% Made in Italy
- Leakproof Stem - Lifetime Warranty
- 29 in.-Hg Vacuum Rating

CERTIFICATIONS/APPROVALS

- CSA Certified
- ANSI Z21.15 (.5 PSIG) (1/4" - 2")
- MSS SP-110
- ANSI B1.20.1

VALVE SEAT RATING



MATERIALS

No.	Part	Material
1	Body	Brass - CW617N
2	End Connection	Brass - CW617N
3	Ball	Chrome Plated Brass - CW617N
4	Seat (2)	PTFE
5	Stem	Brass - CW614N
6	Stem O-ring (2)	FKM
7	Handle*	Steel - Geomet® Plated
8	Handle screw*	Steel - Geomet® Plated

*Lever Handle Only

DIMENSIONS

Part No	Size	A	B	C	D
100-295	1/4" FIP x 1/4" MIP*	2.01	0.77	-	0.31
100-297	1/8" FIP x 1/8" MIP	1.96	1.14	1.69	0.31
100-298	1/4" FIP x 1/8" MIP	1.96	1.14	1.69	0.31
100-299	1/4" FIP x 1/4" MIP	2.01	1.14	1.69	0.31
100-300	1/4" FIP x 1/4" FIP	1.65	1.14	1.69	0.31

*Mini Screwdriver Slot Handle



WARNING: This product can expose you to chemicals including lead, which is known to the State of California to cause cancer, birth defects or other reproductive harm. For more information go to www.P65Warnings.ca.gov.