

- Prevents rooms (zones) from overheating due to gravity circulation
- Elastomer seal provides positive check eliminating the need for an isolation valve
- Brass body and non-ferrous internals
- Straight-Angle configuration allows for quick and easy installation
- Vertical design option saves installation time and material
- 1/2 turn knob for system draining or valve bypass
- Compact, light weight design
- Available in 3/4", 1" & 1-1/4" sizes



Hydrotrol™ Flow Control Valve

A-411A

 **Bell & Gossett**
a xylem brand

Hydrotrol™ Flow Control Valve



Description

The Hydrotrol (HT) flow control valve is used to prevent overheating of zones due to gravity flow in hydronic heating systems and will permit summer-winter operation of indirect water heater. The HT valve allows fluid to pass when the system or zone pumps start. When the system or zone pumps are not operating, the HT valve remains closed, preventing gravity circulation. The HT valves are designed with a 1/2 turn knob that manually opens for system draining or valve bypass. The positive check feature eliminates the need of an isolation valve. The HT valve can be installed in either the horizontal or vertical orientation.

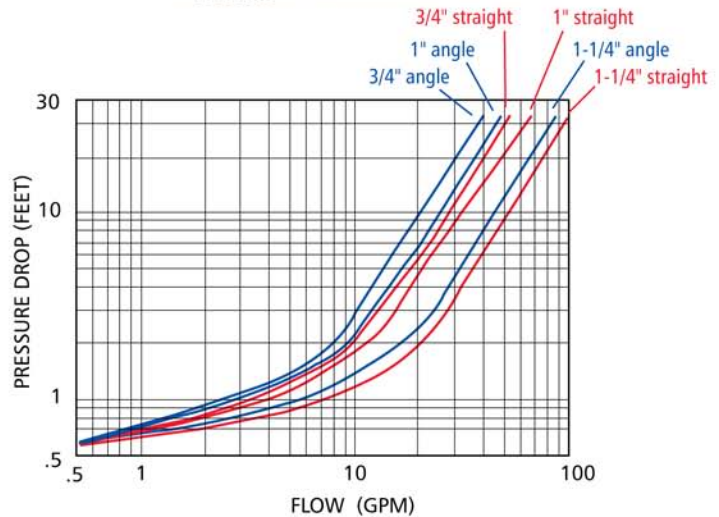
Operating Data

Maximum working pressure 150 psi (10 bar)
Maximum operating temperature 250°F (121°C)

Materials of Construction

Body Brass
Internal Components Non-Ferrous

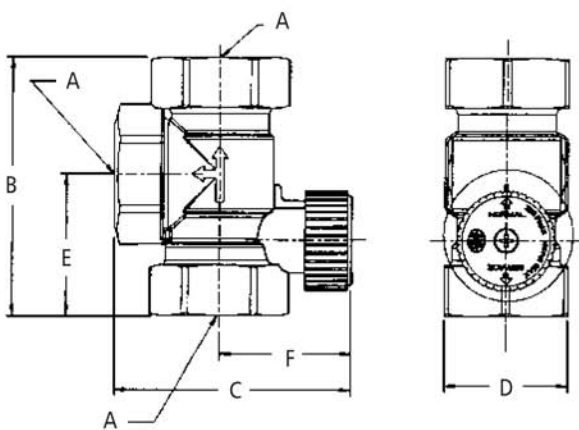
Performance Characteristics Curve



Dimension & Weights

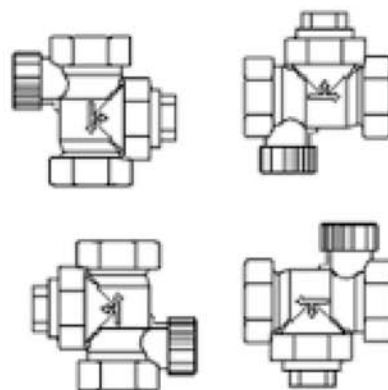
Model No.	Part No.	Dimensions — Inches (mm)						Approx. Shpg. Wt. lbs. (Kg)
		A	B	C	D	E	F	
HT-3/4	107035	3/4" NPTF	3-3/16" (82)	3" (76)	1-9/16" (40)	1-3/4" (44)	1-11/16" (43)	1.3 lbs. (0.6)
HT-1	107037	1" NPTF	3-5/8" (93)	3-3/16" (82)	1-9/16" (40)	1-15/16" (50)	1-11/16" (43)	1.2 lbs. (0.5)
HT - 1-1/4	103038	1-1/4" NPTF	4" (101)	3-11/16" (93)	1-11/16" (43)	2-1/4" (57)	1-7/8" (48)	1.8 lbs. (0.8)

Do not use for construction. Dimensions are approximate and subject to change. Contact factory for certified dimensions.



Flexible Installation

The valve can be installed to discharge in any direction.



Xylem Inc.
8200 N. Austin Avenue
Morton Grove, Illinois 60053
Phone: (847) 966-3700
Fax: (847) 965-8379
www.xylem.com/brands/bellgossett

Bell & Gossett is a trademark of Xylem Inc. or one of its subsidiaries.
© 2012 Xylem Inc. A-411A November 2010