

# Model Gar-Ber Spin On Fuel Oil Filters Installation & Owners Manual

Oil Filter

## Read and Save These Instructions



Manufacturers of Whole House Residential Indoor Air Quality Products.  
Humidifiers - Dehumidifiers - Air Cleaners - UV Air Purifiers - Heat/Energy Recovery Ventilators  
Fuel Oil Filters & Parts

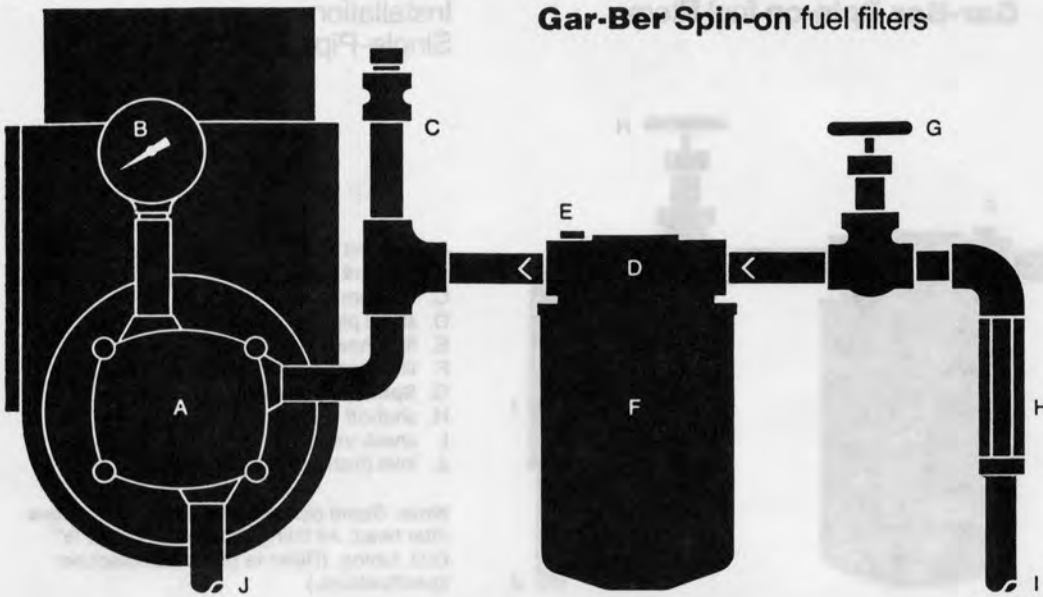
[www.generalfilters.com](http://www.generalfilters.com)

General Filters, Inc  
43800 Grand River Ave.  
Novi, MI 48375  
(866) 476-5101  
[www.generalfilters.com](http://www.generalfilters.com)



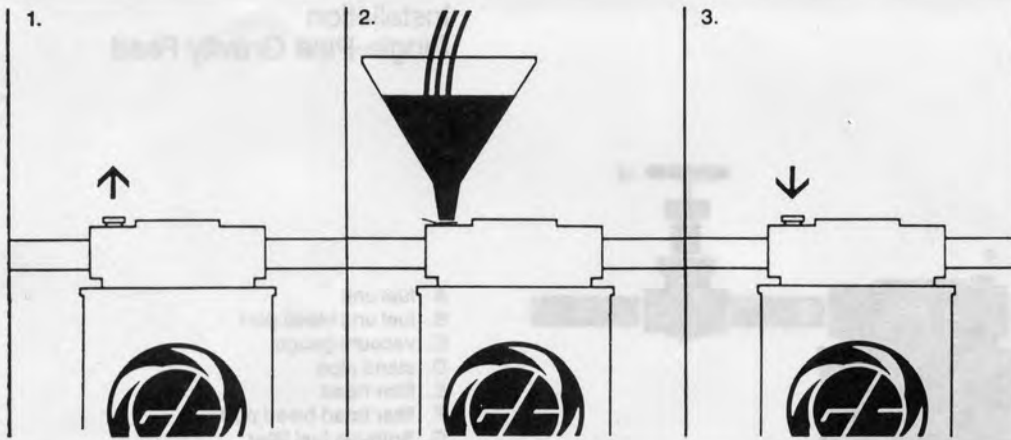
## Gar-Ber Spin-on fuel filters

## Installation 2-Pipe Lift Condition



- A. fuel unit
- B. vacuum gauge
- C. stand pipe
- D. filter head
- E. filter head bleed port
- F. **Spin-on** fuel filter
- G. shut-off valve
- H. check valve
- I. inlet (from storage tank)
- J. outlet (to storage tank)

**Note:** Stand pipe must be a min. of 3" above filter head. All fittings should be flared, 1/2" O.D. tubing. (Refer to pump manufacturer specifications.)

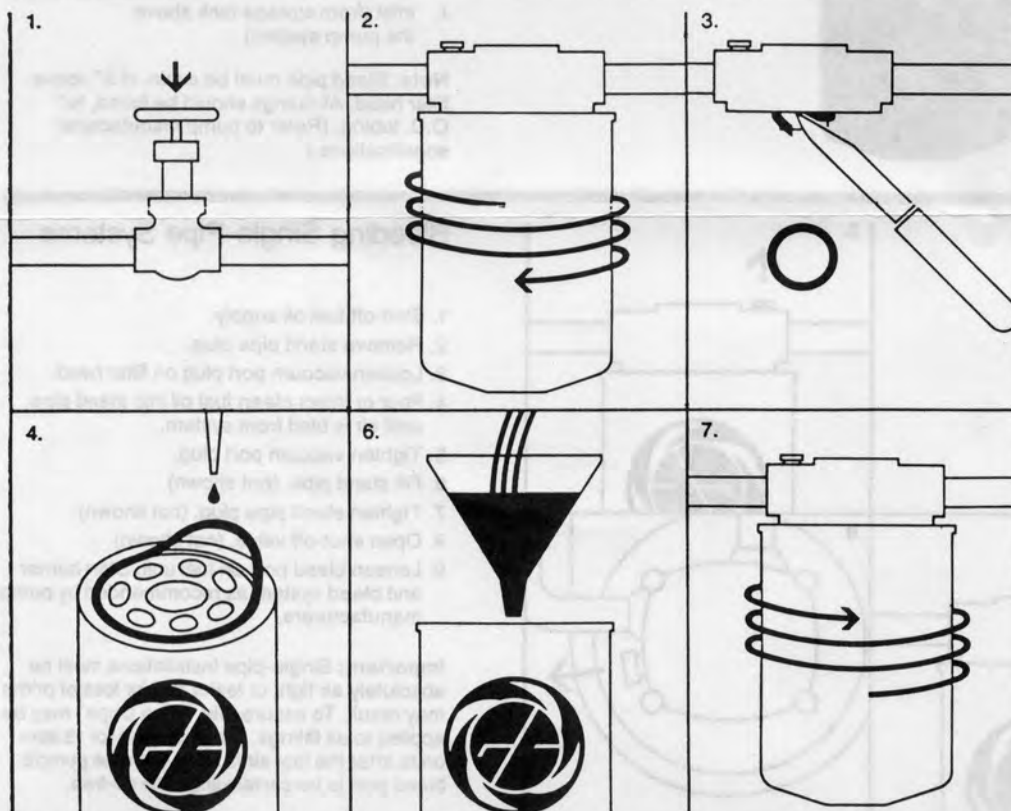


## Priming System

2-pipe lift condition systems are not necessary to bleed. Air bleeding is automatic. Priming may be assisted by injecting fuel oil into vacuum port.

1. Remove vacuum port plug.
2. Pour or inject **clean** fuel oil into filter head vacuum port plug.
3. Replace vacuum port plug.

**Note:** Return line must run within 3" from the bottom of the fuel oil storage tank. Failure to do so may introduce air into the system and could result in loss of prime.

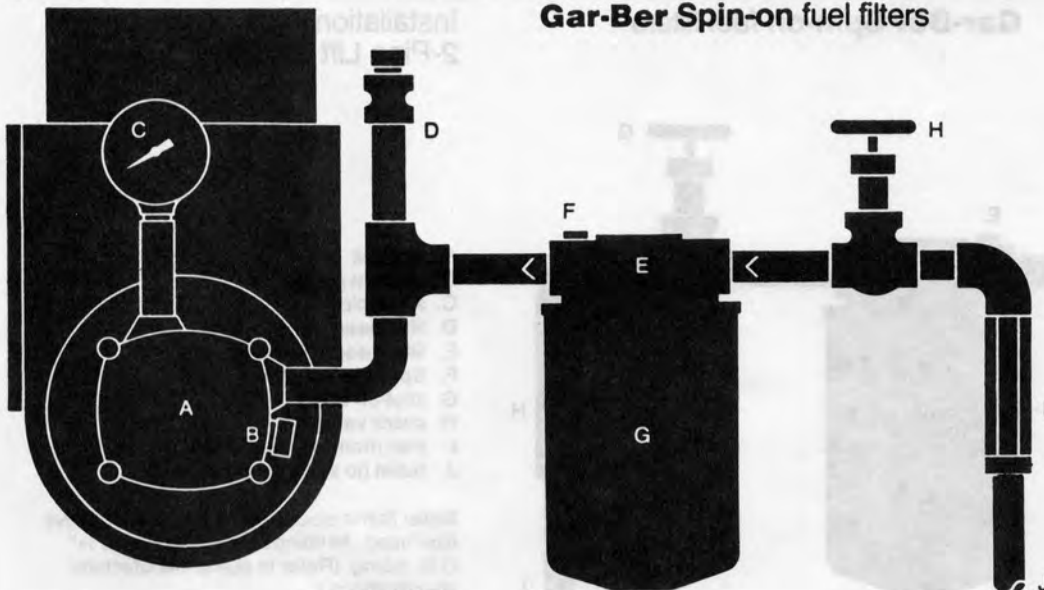


## Instructions Replacing **Spin-on** fuel filter

1. Shut-off fuel oil supply.
2. Using a filter wrench, loosen and **spin-off** old cartridge. Discard in plastic bag supplied with each new filter cartridge.
3. Cut and remove old center stud "O" ring and replace it with the new "O" ring supplied.
4. Remove outside filter gasket on new replacement cartridge. Apply a thin coat of petroleum jelly, or equivalent, to both sides of the gasket.
5. Carefully replace filter gasket. (not shown)
6. Fill filter replacement cartridge with **clean** fuel oil.
7. **Spin-on** new filter cartridge. Tighten 3/4 turn after the gasket contacts the filter head.
8. Bleed air as recommended by pump manufacturers. (not shown)

## Gar-Ber Spin-on fuel filters

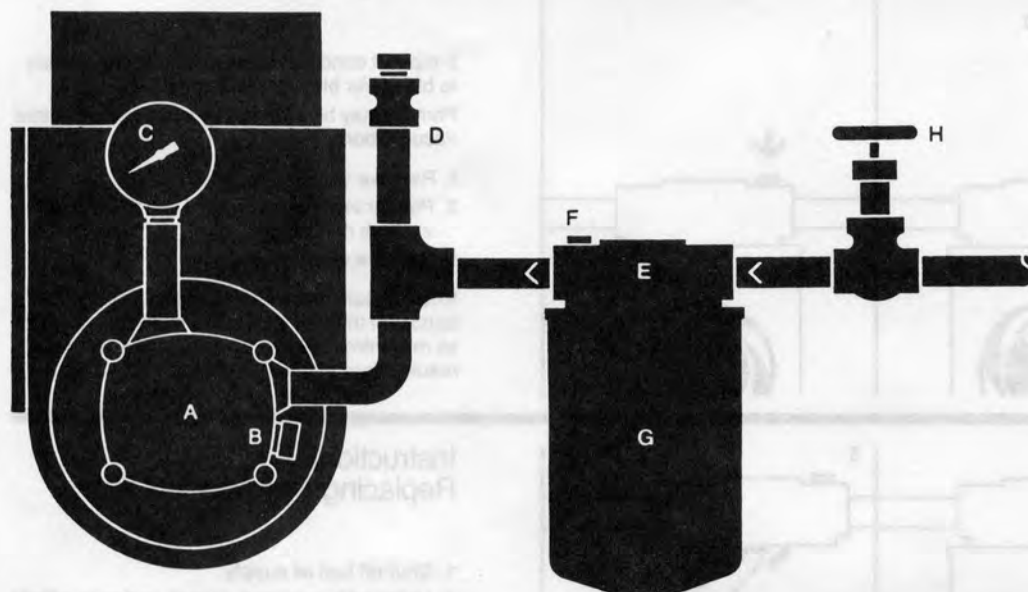
### Installation Single-Pipe Lift Condition



- A. fuel unit
- B. fuel unit bleed port
- C. vacuum gauge
- D. stand pipe
- E. filter head
- F. filter head bleed port
- G. Spin-on fuel filter
- H. shut-off valve
- I. check valve
- J. inlet (from storage tank)

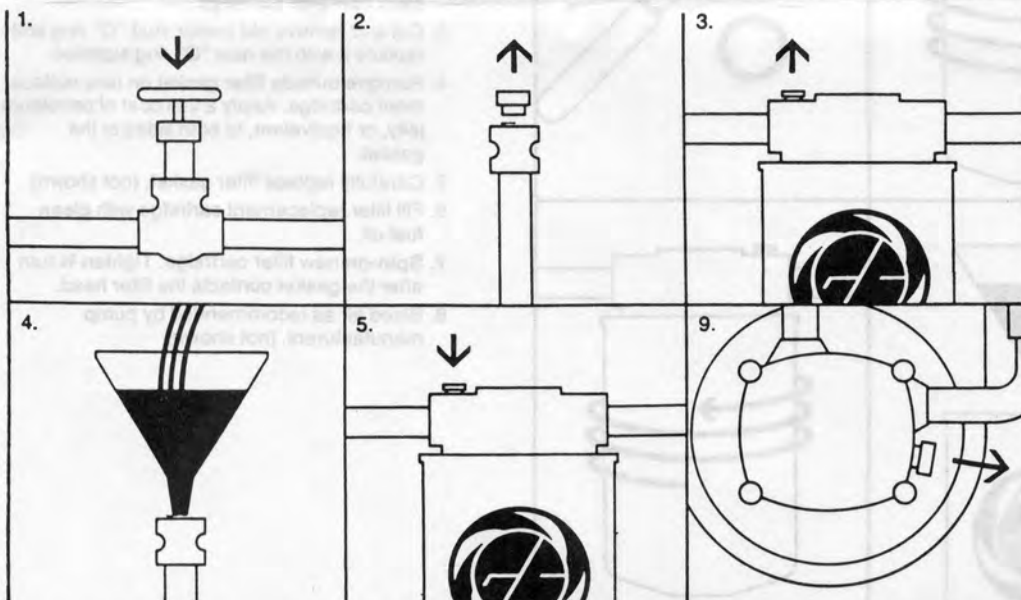
**Note:** Stand pipe must be a min. of 3" above filter head. All fittings should be flared, 1/2" O.D. tubing. (Refer to pump manufacturer specifications.)

### Installation Single-Pipe Gravity Feed



- A. fuel unit
- B. fuel unit bleed port
- C. vacuum gauge
- D. stand pipe
- E. filter head
- F. filter head bleed port
- G. Spin-on fuel filter
- H. shut-off valve
- I. inlet (from storage tank above the pump system)

**Note:** Stand pipe must be a min. of 3" above filter head. All fittings should be flared, 1/2" O.D. tubing. (Refer to pump manufacturer specifications.)



### Bleeding Single-Pipe Systems

1. Shut-off fuel oil supply.
2. Remove stand pipe plug.
3. Loosen vacuum port plug on filter head.
4. Pour or inject clean fuel oil into stand pipe until air is bled from system.
5. Tighten vacuum port plug.
6. Fill stand pipe. (not shown)
7. Tighten stand pipe plug. (not shown)
8. Open shut-off valve. (not shown)
9. Loosen bleed port on fuel unit. Start burner and bleed system as recommended by pump manufacturers.

**Important:** Single-pipe installations must be absolutely air tight or leaks and/or loss of prime may result. To assure this, "Pipe Dope" may be applied to all fittings. Bleed system for 15 seconds after the last air is seen from the pump's bleed port to be certain lines are air-free.