



A CSW Industrials Company

TRUaire 150TS Series

Stamped Steel 1/2" Blade Spacing 2-Way Toe Space Grille

Model: _____ Size: _____

Project Information:

Job Name: _____

Location: _____

Engineer: _____

Submitted to: _____

For: Reference Approval Construction

Submitted by: _____

Reference: _____

Submittal Information:

Approval: _____

Date: _____

Construction: _____

Unit #: _____

Drawing #: _____

Finish Options

Pristine White Powder Coat Finish

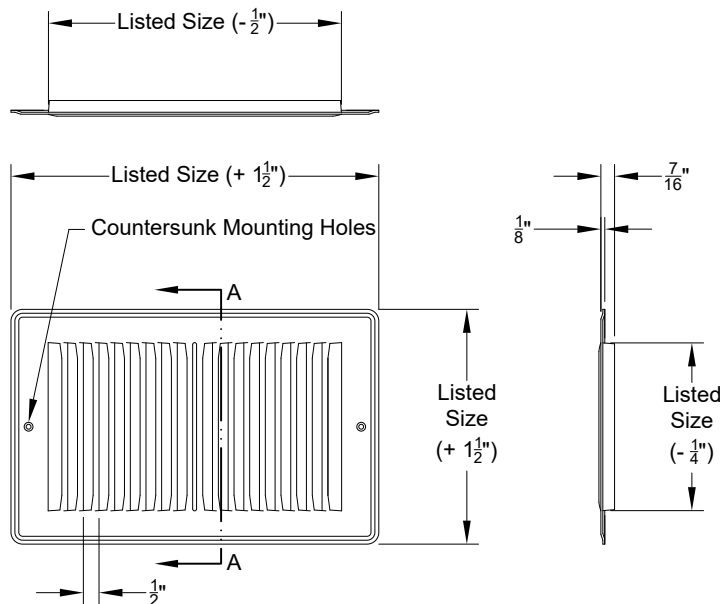
Textured Non-Scuff White Powder Coat Finish

Textured Non-Scuff Brown Coat Finish

(Sec. I) Features

- #8 x 2" Long Mounting Hardware

(Fig. I) Product Image:



Note: This submittal is meant to demonstrate the general dimensions of this product. The illustrations are not meant to detail every aspect of the product. Drawings are not to scale.



RectorSeal® • 2601 Spenwick Drive • Houston, TX 77055 • 800-231-3345 • rectorseal.com

A CSW Industrials Company. RectorSeal, the logos and other trademarks are property of RectorSeal, LLC, its affiliates or its licensors and are protected by copyright, trademark and other intellectual property laws, and may not be used without permission. RectorSeal reserves the right to change specifications without prior notice. ©2022 RectorSeal. All rights reserved. R50956-1022