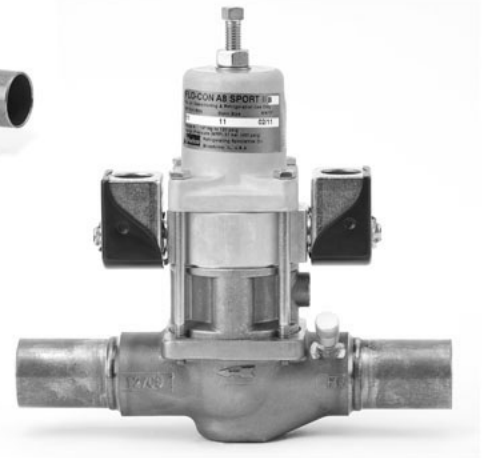
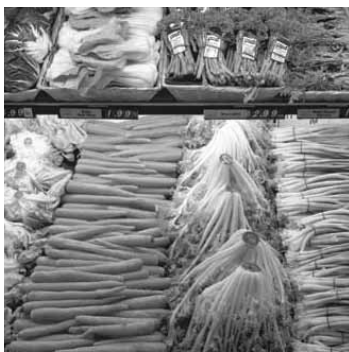




aerospace
climate control
electromechanical
filtration
fluid & gas handling
hydraulics
pneumatics
process control
sealing & shielding



Flo-Con Commercial Valve Parts Kit Reference

Catalog FPKR-12/US



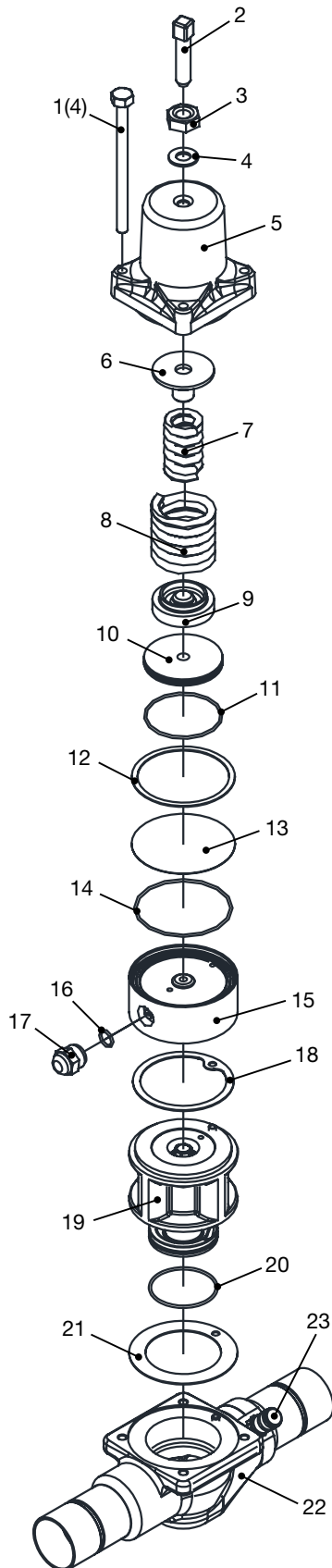
ENGINEERING YOUR SUCCESS.

Table of Contents

A8 Series Pressure Regulators	
Inlet Pressure Regulators	<u>3</u>
Inlet Pressure Regulators with Electric Shut-Off Feature	<u>5</u>
Inlet Pressure Regulators with Wide Open Feature	<u>7</u>
Inlet Pressure Regulators with Electric Shut-Off and Wide Open Feature	<u>9</u>
Differential Pressure Regulators	<u>10</u>
Differential Pressure Regulators with Electric Wide Open Feature	<u>12</u>
Outlet (Crankcase) Pressure Regulators - Externally Equalized	<u>14</u>
Outlet (Crankcase) Pressure Regulators with Electric Shut-Off Feature - Externally Equalized	<u>16</u>
A9 Series Hot Gas Bypass Regulators	
Outlet (Hot Gas Bypass) Pressure Regulators	<u>17</u>
Outlet (Hot Gas Bypass) Pressure Regulators - Externally Equalized	<u>18</u>
Outlet (Hot Gas Bypass) Pressure Regulators with Electric Wide Open Feature	<u>19</u>
Outlet (Hot Gas Bypass) Pressure Regulators with Electric Shut-Off Feature	<u>20</u>
Outlet (Hot Gas Bypass) Pressure Regulators with Electric Shut-Off Feature - Externally Equalized	<u>21</u>
Evaporator Pressure Regulators (EPR)	
PORT & PORT II Evaporator Pressure Regulators	<u>22</u>
SPORT & SPORT II Evaporator Pressure Regulators with Electric Shut-Off Feature	<u>24</u>
PORT B & PORT II B Evaporator Pressure Regulators with Wide Open Feature	<u>26</u>
SPORT B & SPORT II B Evaporator Pressure Regulators with Electric Shut-Off and Wide Open Feature	<u>27</u>
Solenoid Valves	
SC1 & SC II Solenoid Valves	<u>29</u>
SC2 Solenoid Valves	<u>30</u>
S81 Solenoid Valves	<u>31</u>
S82 Solenoid Valves	<u>32</u>
Coils	<u>33</u>
Flo-Con Valve Identification	
A8, A8 PORT, & A8 SPORT Series Valves	<u>34</u>
A9 Series Valves	<u>35</u>
SC & S8 Series Valves	<u>36</u>
Valve Bolt Torque Recommendations	<u>37</u>

A8A/A81

Inlet Pressure Regulator

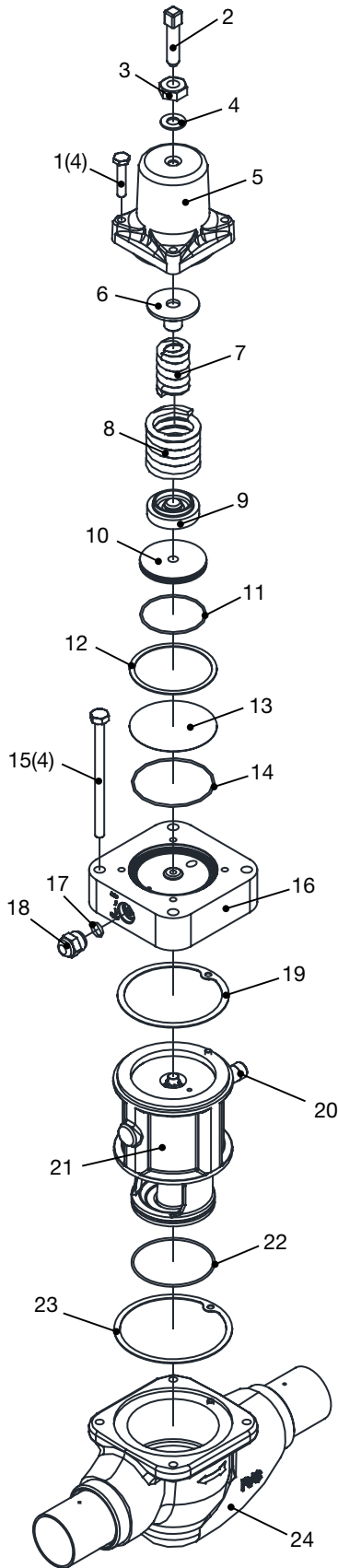


Item	Part Description	Kit Description	Kit
1(4)	Bolts, Bonnet	Bolt Pkg, Bonnet	202717
2	Adjustment Stem	Adjustment Stem	209371
3	Seal Nut		
4	Washer		
4(12)	Washer	Washer Package	209417
5	Bonnet	Bonnet	200910
11	O-ring, Diaphragm Follower		
12	Gasket, Bonnet		
6	Upper Spring Plate	Spring	202205
7	Inner Range Spring		
8	Outer Range Spring		
9	Lower Spring Plate		
11	O-ring, Diaphragm Follower		
12	Gasket, Bonnet		
10	Diaphragm Follower	Diaphragm Follower	200911
11	O-ring, Diaphragm Follower	Diaphragm	200873
12	Gasket, Bonnet		
13	Diaphragm		
14	O-ring, Adaptor	Adaptor, A8A/A81	202721
12	Gasket, Bonnet		
14	O-ring, Adaptor		
15 - 17	Adaptor Assembly		
18	Gasket, Adaptor	O-ring Package	202424
16(12)	O-ring, Stem Valve		
16(10)	O-ring, Stem Valve	Seal Cap, A8	205792
17(10)	Seal Cap, A8		
18	Gasket, Adaptor	Cartridge, A8A/A81 3/8" (9mm) Port 5/8" (15mm) Port 7/8" (22mm) Port 1 1/8" (28mm) Port 1 3/8" (35mm) Port	202712
19	Cartridge Assembly		202711
20	O-ring, Cartridge		202710
21	Gasket, Body		202709
			202708
11	O-ring, Diaphragm Follower	Gasket/O-ring	202701
12	Gasket, Bonnet		
14	O-ring, Adaptor		
16	O-ring, Stem Valve		
18	Gasket, Adaptor		
20	O-ring, Cartridge		
21	Gasket, Body	O-ring, Cartridge	205017
20(10)	O-ring, Cartridge		
23	Access Valve	Access Valve	204971

Range A/D: 250mm Hg to 27.6 bar (10" Hg to 400 psi)

A82

Inlet Pressure Regulator

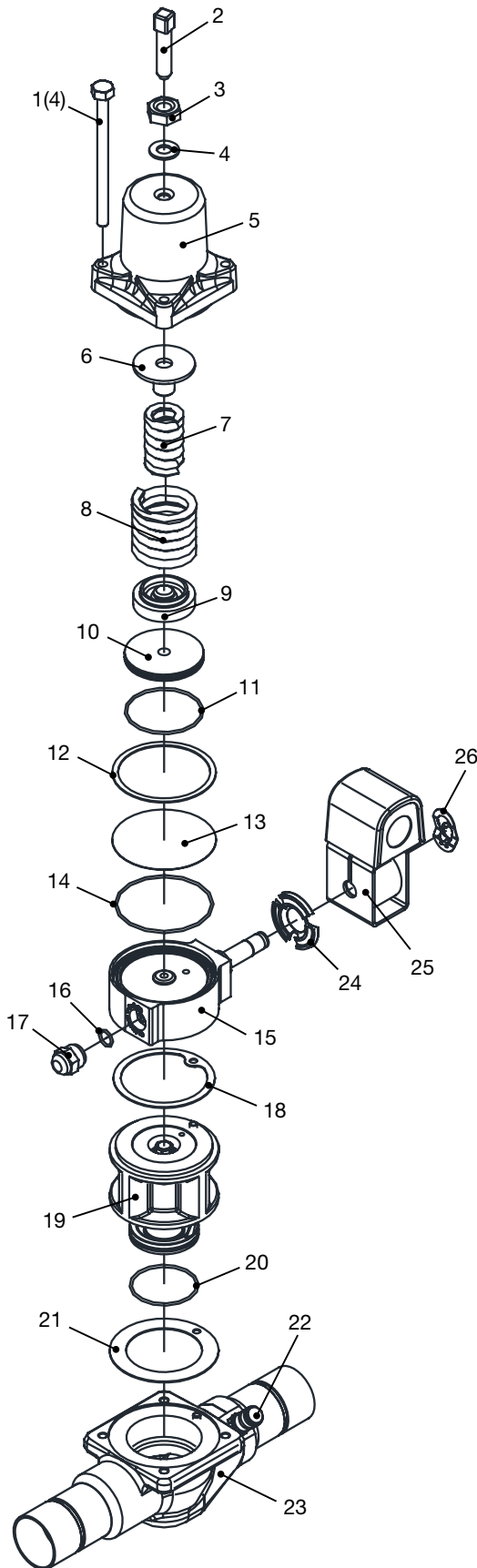


Item	Part Description	Kit Description	Kit
1(4) 15(4)	Bolts, Bonnet Bolts, Adaptor	Bolt Pkg	203820
2 3 4	Adjustment Stem Seal Nut Washer	Adjustment Stem	209371
4(12)	Washer	Washer Package	209417
5 11 12	Bonnet O-ring, Diaphragm Follower Gasket, Bonnet	Bonnet	200910
6 7 8 9 11 12	Upper Spring Plate Inner Range Spring Outer Range Spring Lower Spring Plate O-ring, Diaphragm Follower Gasket, Bonnet	Spring	202205
10 11 12	Diaphragm Follower O-ring, Diaphragm Follower Gasket, Bonnet	Diaphragm Follower	200911
12 13 14	Gasket, Bonnet Diaphragm O-ring, Adaptor	Diaphragm	200873
12 14 16 - 18 19	Gasket, Bonnet O-ring, Adaptor Adaptor Assembly Gasket, Adaptor	Adaptor, A82	203803
17(12)	O-ring, Stem Valve	O-ring Package	202424
17(10) 18(10)	O-ring, Stem Valve Seal Cap, A8	Seal Cap, A8	205792
19 20 21 22 23	Gasket, Adaptor Access Valve Cartridge Assembly O-ring, Cartridge Gasket, Body	Cartridge, A82 1 ⁵ / ₈ " (42mm) Port 2 ¹ / ₈ " (54mm) Port 2 ⁵ / ₈ " (66mm) Port	203811 203812 203813
11 12 14 17 19 22 23	O-ring, Diaphragm Follower Gasket, Bonnet O-ring, Adaptor O-ring, Stem Valve Gasket, Adaptor O-ring, Cartridge Gasket, Body	Gasket/O-ring	203818
20	Access Valve	Access Valve	204971
22(10)	O-ring, Cartridge	O-ring, Cartridge	205018

Range A/D: 250mm Hg to 27.6 bar (10" Hg to 400 psi)

A8AS/A81S

Inlet Pressure Regulator with Electric Shut-Off Feature



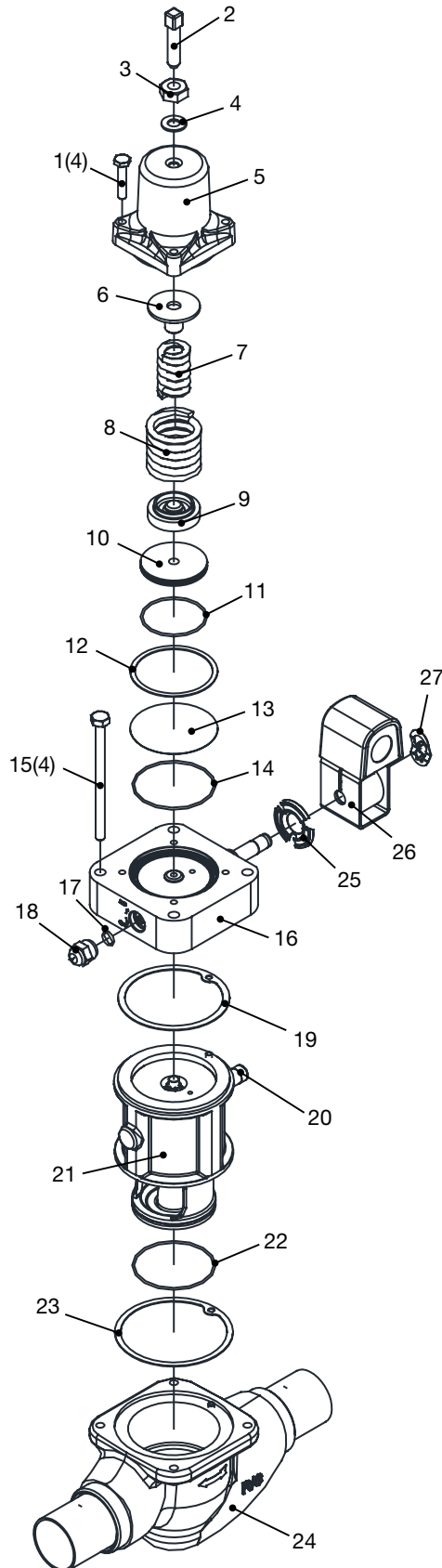
Item	Part Description	Kit Description	Kit
1(4)	Bolts, Bonnet	Bolt Pkg, Bonnet	202717
2	Adjustment Stem		
3	Seal Nut	Adjustment Stem	209371
4	Washer		
4(12)	Washer	Washer Package	209417
5	Bonnet		
11	O-ring, Diaphragm Follower	Bonnet	200910
12	Gasket, Bonnet		
6	Upper Spring Plate		
7	Inner Range Spring		
8	Outer Range Spring	Spring	202205
9	Lower Spring Plate		
11	O-ring, Diaphragm Follower		
12	Gasket, Bonnet		
10	Diaphragm Follower	Diaphragm Follower	200911
11	O-ring, Diaphragm Follower		
12	Gasket, Bonnet		
13	Diaphragm	Diaphragm	200873
14	O-ring, Adaptor		
12	Gasket, Bonnet		
14	O-ring, Adaptor		
15 - 17	Adaptor Assembly	Adaptor, A8AS/A81S	202722
18	Gasket, Adaptor		
16(12)	O-ring, Stem Valve	O-ring Package	202424
16(10)	O-ring, Stem Valve		
17(10)	Seal Cap, A8	Seal Cap, A8	205792
18	Gasket, Adaptor	Cartridge, A8A/A81 3/8" (9mm) Port	202712
19	Cartridge Assembly	5/8" (15mm) Port	202711
20	O-ring, Cartridge	7/8" (22mm) Port	202710
21	Gasket, Body	1 1/8" (28mm) Port	202709
		1 3/8" (35mm) Port	202708
11	O-ring, Diaphragm Follower		
12	Gasket, Bonnet		
14	O-ring, Adaptor		
16	O-ring, Stem Valve	Gasket/O-ring	202701
18	Gasket, Adaptor		
20	O-ring, Cartridge		
21	Gasket, Body		
20(10)	O-ring, Cartridge	O-ring, Cartridge	205017
22	Access Valve	Access Valve	204971

Range A/D: 250mm Hg to 27.6 bar (10" Hg to 400 psi)

Item	Note
24 - 26	See page 33 for solenoid coils and coil kits

A82S

Inlet Pressure Regulator with Electric Shut-Off Feature



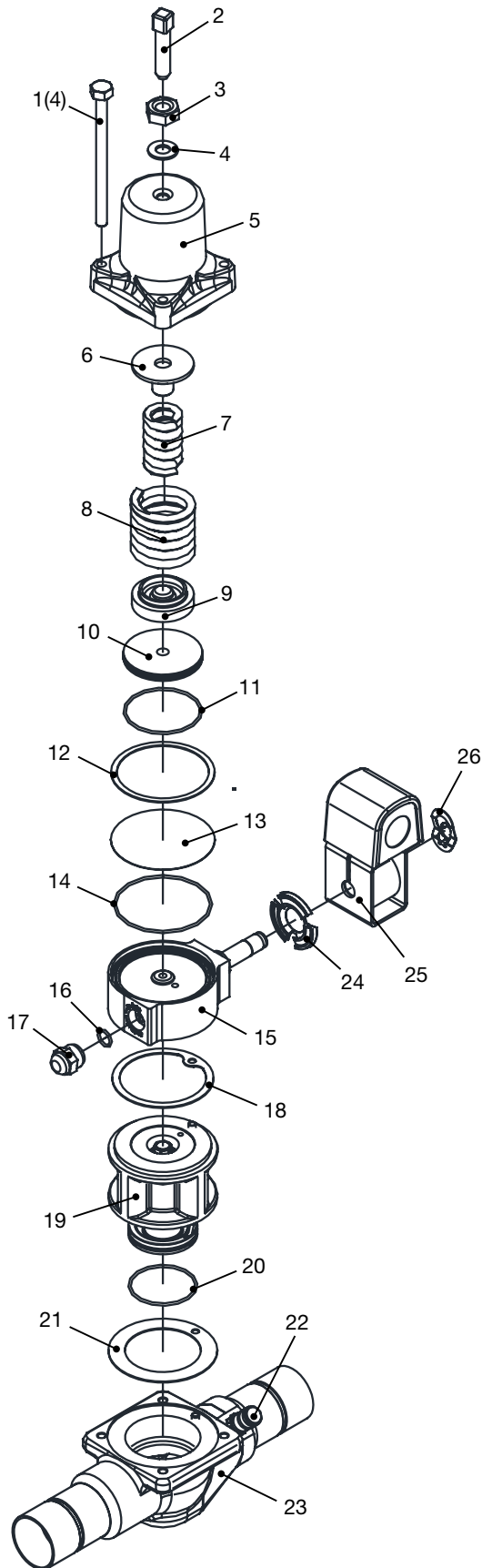
Item	Part Description	Kit Description	Kit
1(4) 15(4)	Bolts, Bonnet Bolts, Adaptor	Bolt Pkg	203820
2 3 4	Adjustment Stem Seal Nut Washer	Adjustment Stem	209371
4(12)	Washer	Washer Package	209417
5 11 12	Bonnet O-ring, Diaphragm Follower Gasket, Bonnet	Bonnet	200910
6 7 8 9 11 12	Upper Spring Plate Inner Range Spring Outer Range Spring Lower Spring Plate O-ring, Diaphragm Follower Gasket, Bonnet	Spring	202205
10 11 12	Diaphragm Follower O-ring, Diaphragm Follower Gasket, Bonnet	Diaphragm Follower	200911
12 13 14	Gasket, Bonnet Diaphragm O-ring, Adaptor	Diaphragm	200873
12 14 16 - 18 19	Gasket, Bonnet O-ring, Adaptor Adaptor Assembly Gasket, Adaptor	Adaptor, A82S	203804
17(12)	O-ring, Stem Valve	O-ring Package	202424
17(10) 18(10)	O-ring, Stem Valve Seal Cap, A8	Seal Cap, A8	205792
19 20 21 22 23	Gasket, Adaptor Access Valve Cartridge Assembly O-ring, Cartridge Gasket, Body	Cartridge, A82 1 ⁵ / ₈ " (42mm) Port 2 ¹ / ₈ " (54mm) Port 2 ⁵ / ₈ " (66mm) Port	203811 203812 203813
11 12 14 17 19 22 23	O-ring, Diaphragm Follower Gasket, Bonnet O-ring, Adaptor O-ring, Stem Valve Gasket, Adaptor O-ring, Cartridge Gasket, Body	Gasket/O-ring	203818
20	Access Valve	Access Valve	204971
22(10)	O-ring, Cartridge	O-ring, Cartridge	205018

Range A/D: 250mm Hg to 27.6 bar (10" Hg to 400 psi)

Item	Note
25 - 27	See page 33 for solenoid coils and coil kits

A8AB/A81B

Inlet Pressure Regulator with Electric Wide Open Feature



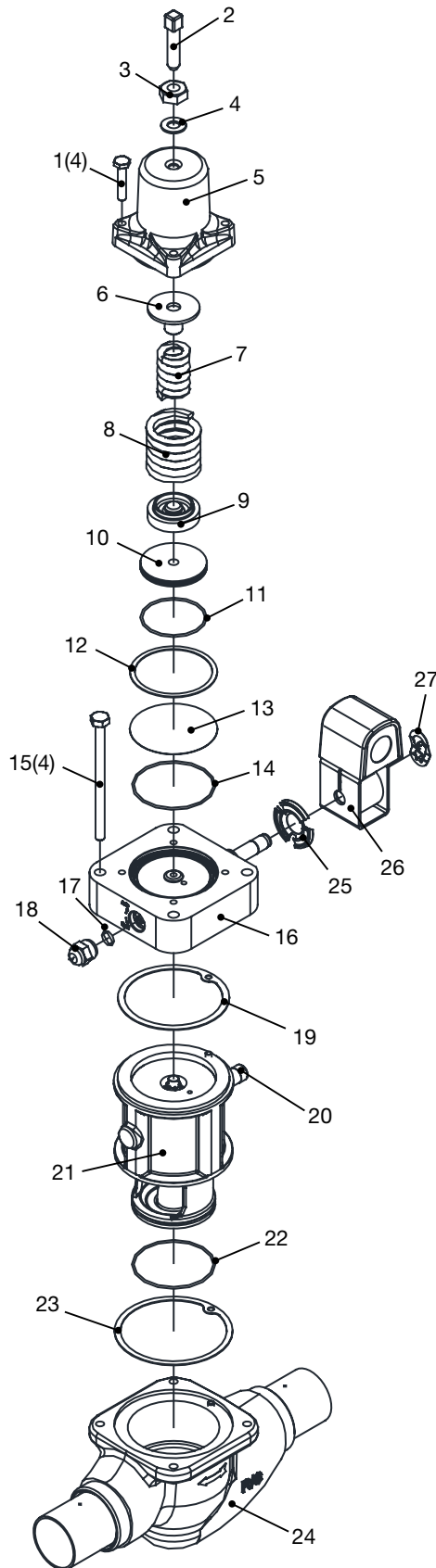
Item	Part Description	Kit Description	Kit
1(4)	Bolts, Bonnet	Bolt Pkg, Bonnet	202717
2	Adjustment Stem	Adjustment Stem	209371
3	Seal Nut		
4	Washer	Washer Package	209417
4(12)	Washer		
5	Bonnet	Bonnet	200910
11	O-ring, Diaphragm Follower		
12	Gasket, Bonnet		
6	Upper Spring Plate	Spring	202205
7	Inner Range Spring		
8	Outer Range Spring		
9	Lower Spring Plate		
11	O-ring, Diaphragm Follower		
12	Gasket, Bonnet		
10	Diaphragm Follower	Diaphragm Follower	200911
11	O-ring, Diaphragm Follower		
12	Gasket, Bonnet	Diaphragm	200873
13	Diaphragm		
14	O-ring, Adaptor	Adaptor, A8AB/A81B	202723
12	Gasket, Bonnet		
14	O-ring, Adaptor		
15 - 17	Adaptor Assembly		
18	Gasket, Adaptor		
16(12)	O-ring, Stem Valve	O-ring Package	202424
16(10)	O-ring, Stem Valve	Seal Cap, A8	205792
17(10)	Seal Cap, A8		
24	Gasket, Adaptor	Cartridge, A8A/A81 3/8" (9mm) Port	202712
25	Cartridge Assembly		202711
26	O-ring, Cartridge		202710
27	Gasket, Body		202709
			1 1/8" (28mm) Port
		1 3/8" (35mm) Port	
11	O-ring, Diaphragm Follower	Gasket/O-ring	202701
12	Gasket, Bonnet		
14	O-ring, Adaptor		
16	O-ring, Stem Valve		
18	Gasket, Adaptor		
19	O-ring, Cartridge		
21	Gasket, Body		
20(10)	O-ring, Cartridge	O-ring, Cartridge	205017
22	Access Valve	Access Valve	204971

Range A/D: 250mm Hg to 27.6 bar (10" Hg to 400 psi)

Item	Note
24 - 26	See page 33 for solenoid coils and coil kits

A82B

Inlet Pressure Regulator with Electric Wide Open Feature



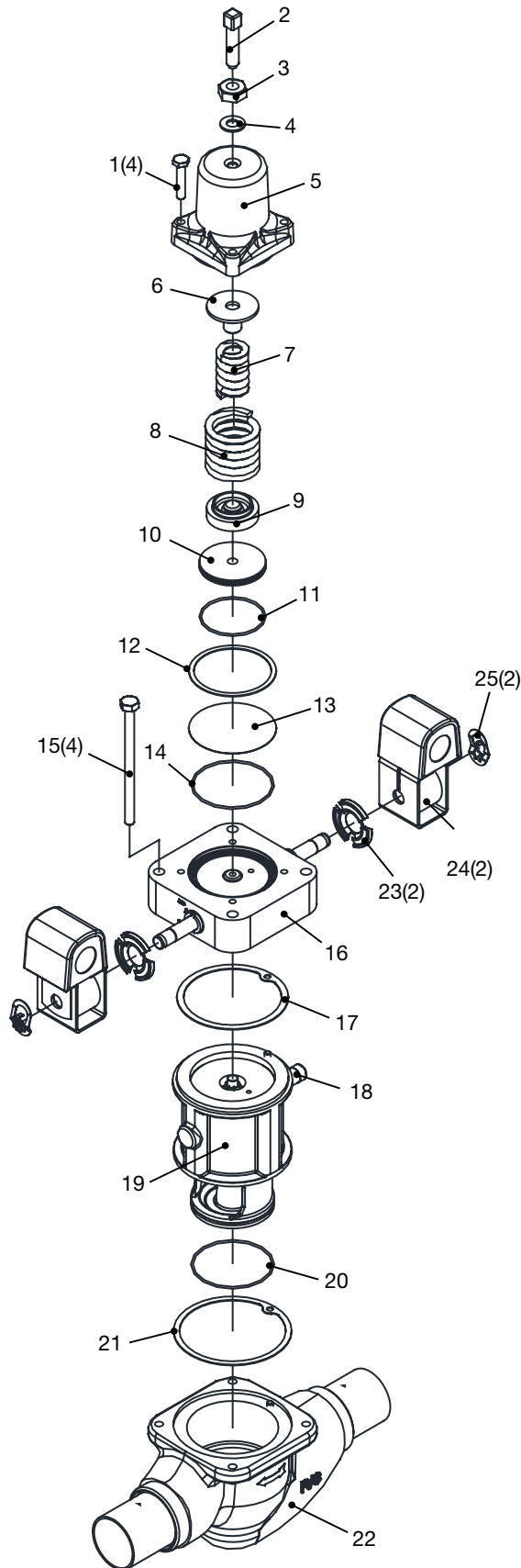
Item	Part Description	Kit Description	Kit
1(4) 15(4)	Bolts, Bonnet Bolts, Adaptor	Bolt Pkg	203820
2 3 4	Adjustment Stem Seal Nut Washer	Adjustment Stem	209371
4(12)	Washer	Washer Package	209417
5 11 12	Bonnet O-ring, Diaphragm Follower Gasket, Bonnet	Bonnet	200910
6 7 8 9 11 12	Upper Spring Plate Inner Range Spring Outer Range Spring Lower Spring Plate O-ring, Diaphragm Follower Gasket, Bonnet	Spring	202205
10 11 12	Diaphragm Follower O-ring, Diaphragm Follower Gasket, Bonnet	Diaphragm Follower	200911
12 13 14	Gasket, Bonnet Diaphragm O-ring, Adaptor	Diaphragm	200873
12 14 16 - 18 19	Gasket, Bonnet O-ring, Adaptor Adaptor Assembly Gasket, Adaptor	Adaptor, A82B	203805
17(12)	O-ring, Stem Valve	O-ring Package	202424
17(10) 18(10)	O-ring, Stem Valve Seal Cap, A8	Seal Cap, A8	205792
19 20 21 22 23	Gasket, Adaptor Access Valve Cartridge Assembly O-ring, Cartridge Gasket, Body	Cartridge, A82 1 ⁵ / ₈ " (42mm) Port 2 ¹ / ₈ " (54mm) Port 2 ⁵ / ₈ " (66mm) Port	203811 203812 203813
11 12 14 17 19 22 23	O-ring, Diaphragm Follower Gasket, Bonnet O-ring, Adaptor O-ring, Stem Valve Gasket, Adaptor O-ring, Cartridge Gasket, Body	Gasket/O-ring	203818
26	Access Valve	Access Valve	204971
28(10)	O-ring, Cartridge	O-ring, Cartridge	205018

Range A/D: 250mm Hg to 27.6 bar (10" Hg to 400 psi)

Item	Note
25 - 27	See page 33 for solenoid coils and coil kits

A82BS

Inlet Pressure Regulator with Electric Shut-Off and Wide Open Feature



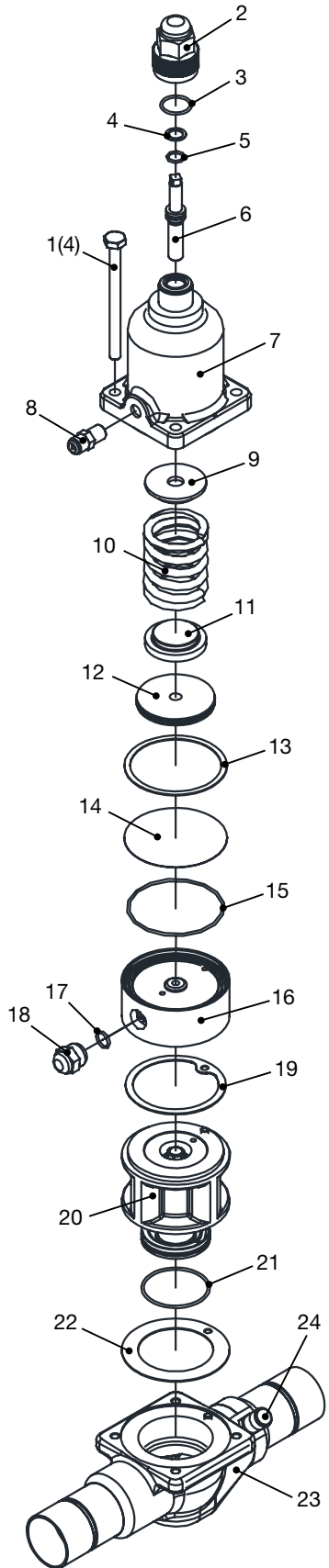
Item	Part Description	Kit Description	Kit
1(4) 14(4)	Bolts, Bonnet Bolts, Adaptor	Bolt Pkg	203820
2 3 4	Adjustment Stem Seal Nut Washer	Adjustment Stem	209371
4(12)	Washer	Washer Package	209417
5 11 12	Bonnet O-ring, Diaphragm Follower Gasket, Bonnet	Bonnet	200910
6 7 8 9 11 12	Upper Spring Plate Inner Range Spring Outer Range Spring Lower Spring Plate O-ring, Diaphragm Follower Gasket, Bonnet	Spring	202205
10 11 12	Diaphragm Follower O-ring, Diaphragm Follower Gasket, Bonnet	Diaphragm Follower	200911
12 13 14	Gasket, Bonnet Diaphragm O-ring, Adaptor	Diaphragm	200873
12 14 16 17	Gasket, Bonnet O-ring, Adaptor Adaptor Assembly Gasket, Adaptor	Adaptor, A82BS	204592
17 18 19 20 21	Gasket, Adaptor Access Valve Cartridge Assembly O-ring, Cartridge Gasket, Body	Cartridge, A82 13 (1 ⁵ / ₈ " Port 17 (2 ¹ / ₈ " Port 21 (2 ⁵ / ₈ " Port	203811 203812 203813
11 12 14 17 20 21	O-ring, Diaphragm Follower Gasket, Bonnet O-ring, Adaptor Gasket, Adaptor O-ring, Cartridge Gasket, Body	Gasket/O-ring	203818
18	Access Valve	Access Valve	204971
20(10)	O-ring, Cartridge	O-ring, Cartridge	205018
23(12)	Washer, Spring	Washer Pkg, Spring	208594

Range A/D: 250mm Hg to 27.6 bar (10" Hg to 400 psi)

Item	Note
23 - 25	See page 33 for solenoid coils and coil kits

A8AL/A81L

Differential Pressure Regulator

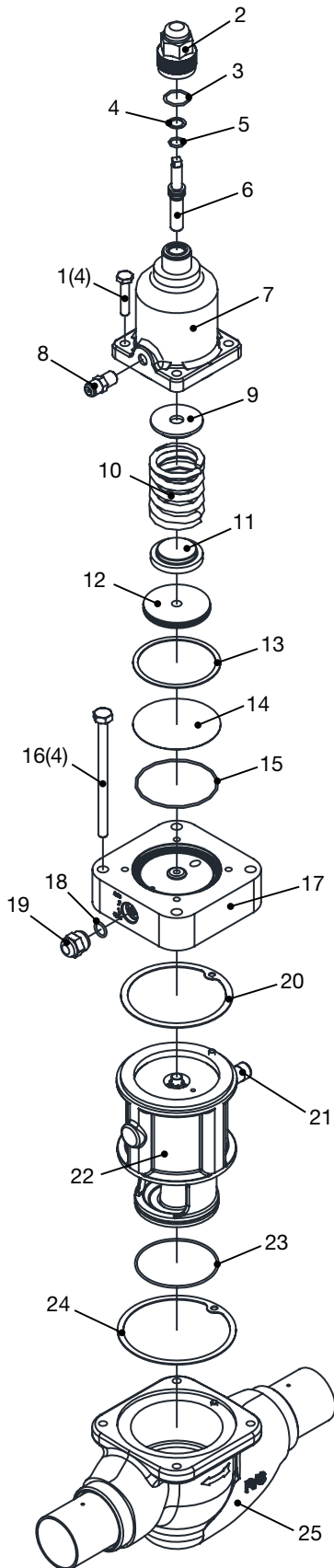


Item	Part Description	Kit Description	Kit
1(4)	Bolts, Bonnet	Bolt Pkg, Bonnet	202718
2	Seal Cap	Seal Cap	202713
3	O-ring, Seal Cap		
5	O-ring, Adjustment Stem		
4(12)	Washer	Washer Package	209417
4	Retaining Ring	Adjustment Stem	201698
5	O-ring, Adjustment Stem		
6	Adjustment Stem		
3	O-ring, Seal Cap	Bonnet, A8_L	202714
4	Retaining Ring		
5	O-ring, Adjustment Stem		
7	Bonnet, A8_L		
8	Connector, 1/4" SEA Flare		
13	Gasket, Bonnet		
15	O-ring, Diaphragm		
8	Connector, 1/4" SEA Flare	Connector	302043
9	Upper Spring Plate	Spring	202702
10	Spring		
11	Lower Spring Plate		
13	Gasket, Bonnet		
12	Diaphragm Follower	Diaphragm Follower	200911
13	Gasket, Bonnet	Diaphragm	200873
14	Diaphragm		
15	O-ring, Adaptor		
13	Gasket, Bonnet	Adaptor, A8A/A81	202721
15	O-ring, Adaptor		
16 - 18	Adaptor Assembly		
19	Gasket, Adaptor		
17(12)	O-ring, Stem Valve	O-ring Package	202424
17(10)	O-ring, Stem Valve	Seal Cap, A8	205792
18(10)	Seal Cap, A8		
19	Gasket, Adaptor	Cartridge, A8A/A81 3/8" (9mm) Port 5/8" (15mm) Port 7/8" (22mm) Port 1 1/8" (28mm) Port 1 3/8" (35mm) Port	202712
20	Cartridge Assembly		202711
21	O-ring, Cartridge		202710
22	Gasket, Body		202709
22	Gasket, Body		202708
3	O-ring, Seal Cap	Gasket/O-ring	203714
4	Retaining Ring		
5	O-ring, Adjustment Stem		
13	Gasket, Bonnet		
15	O-ring, Adaptor		
17	O-ring, Stem Valve		
19	Gasket, Adaptor		
21	O-ring, Cartridge		
22	Gasket, Body		
21(10)	O-ring, Cartridge		
24	Access Valve	Access Valve	204971

Range A: 0 to 8.3 bar (0 to 120 psi)

A82L

Differential Pressure Regulator

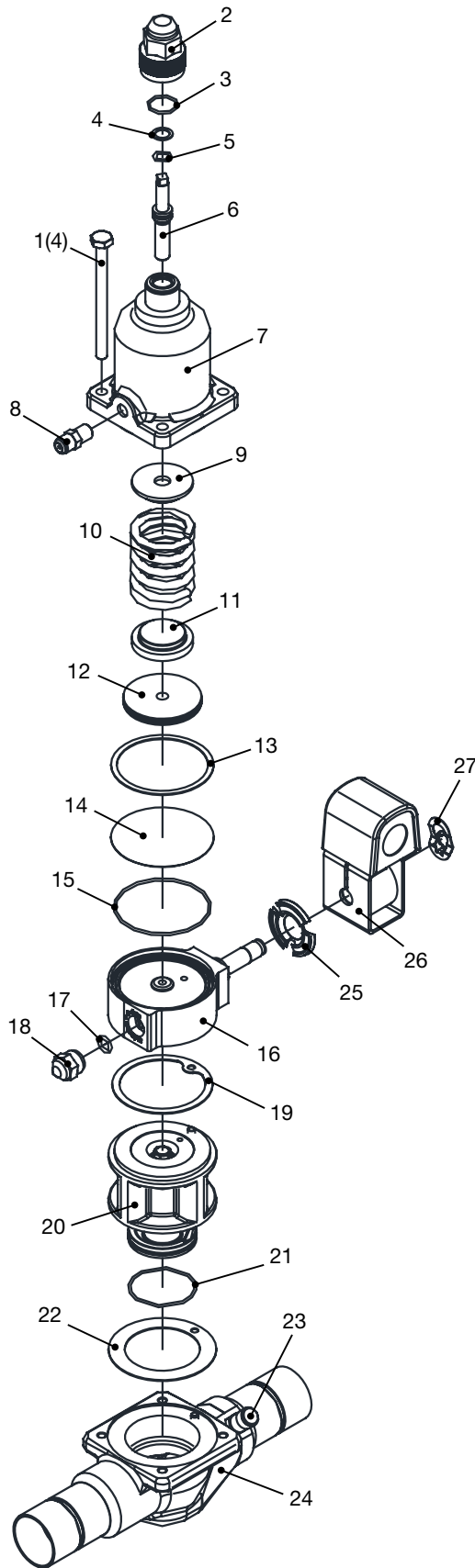


Item	Part Description	Kit Description	Kit
1(4) 16(4)	Bolts, Bonnet Bolts, Adaptor	Bolt Pkg	203822
2	Seal Cap	Seal Cap	202713
3	O-ring, Seal Cap		
5	O-ring, Adjustment Stem		
4(12)	Washer	Washer Package	209417
4	Retaining Ring		
5	O-ring, Adjustment Stem		
6	Adjustment Stem	Adjustment Stem	201698
3	O-ring, Seal Cap		
4	Retaining Ring		
5	O-ring, Adjustment Stem		
7	Bonnet, A8_L	Bonnet, A8_L	202714
8	Connector, 1/4" SEA Flare		
13	Gasket, Bonnet		
15	O-ring, Diaphragm		
8	Connector, 1/4" SEA Flare	Connector	302043
9	Upper Spring Plate		
10	Spring	Spring	202702
11	Lower Spring Plate		
13	Gasket, Bonnet		
12	Diaphragm Follower	Diaphragm Follower	200911
13	Gasket, Bonnet		
14	Diaphragm	Diaphragm	200873
15	O-ring, Adaptor		
13	Gasket, Bonnet		
15	O-ring, Adaptor		
17 - 19	Adaptor Assembly	Adaptor, A82	203803
20	Gasket, Adaptor		
18(12)	O-ring, Stem Valve	O-ring Package	202424
18(10)	O-ring, Stem Valve		
19(10)	Seal Cap, A8	Seal Cap, A8	205792
20	Gasket, Adaptor		
21	Access Valve	Cartridge, A82	208284
22	Cartridge Assembly	1 5/8" (42mm) Port	208285
23	O-ring, Cartridge	2 1/8" (54mm) Port	208286
24	Gasket, Body	2 5/8" (66mm) Port	208286
3	O-ring, Seal Cap		
4	Retaining Ring		
5	O-ring, Adjustment Stem		
13	Gasket, Bonnet		
15	O-ring, Adaptor		
18	O-ring, Stem Valve		
20	Gasket, Adaptor		
23	O-ring, Cartridge		
24	Gasket, Body	Gasket/O-ring	203819
21	Access Valve	Access Valve	204971
23(10)	O-ring, Cartridge	O-ring, Cartridge	205018

Range A: 0 to 8.3 bar (0 to 120 psi)

A8ABL/A81BL

Differential Pressure Regulator with Electric Wide Open Feature



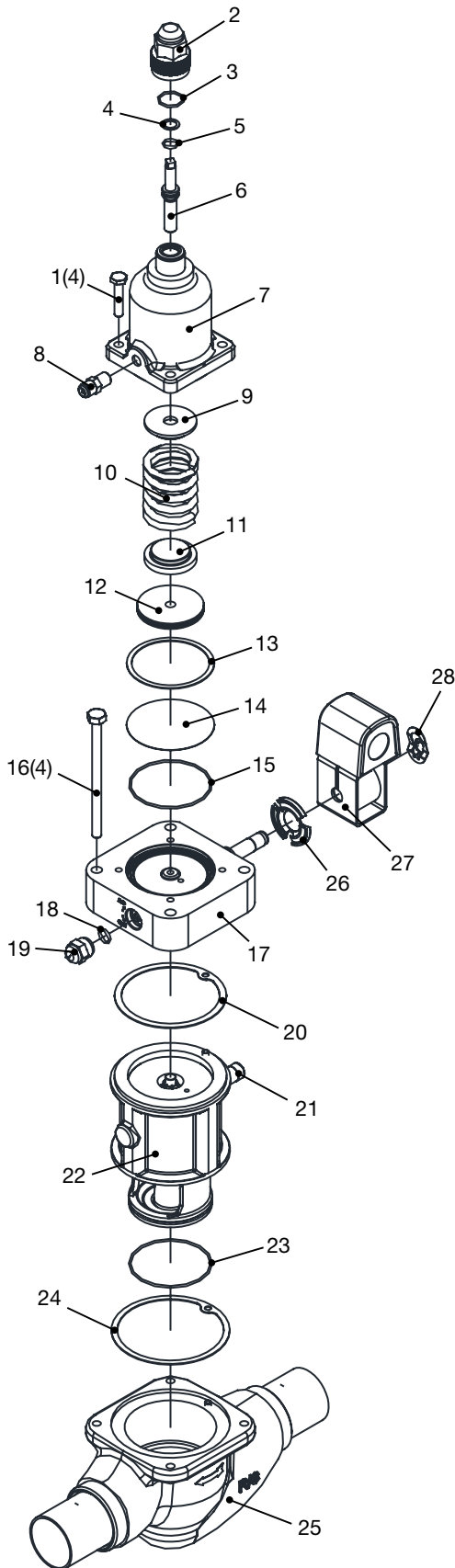
Item	Part Description	Kit Description	Kit
1(4)	Bolts, Bonnet	Bolt Pkg, Bonnet	202718
2	Seal Cap	Seal Cap	202713
3	O-ring, Seal Cap		
5	O-ring, Adjustment Stem		
4	Retaining Ring	Adjustment Stem	201698
5	O-ring, Adjustment Stem		
6	Adjustment Stem		
3	O-ring, Seal Cap	Bonnet, A8_L	202714
4	Retaining Ring		
5	O-ring, Adjustment Stem		
7	Bonnet, A8_L		
8	Connector, 1/4" SEA Flare		
13	Gasket, Bonnet	Connector	302043
15	O-ring, Diaphragm		
8	Connector, 1/4" SEA Flare		
9	Upper Spring Plate	Spring	202702
10	Spring		
11	Lower Spring Plate		
13	Gasket, Bonnet	Diaphragm Follower	200911
12	Diaphragm Follower		
13	Gasket, Bonnet	Diaphragm	200873
14	Diaphragm		
15	O-ring, Adaptor		
13	Gasket, Bonnet	Adaptor, A8AB/A81B	202723
15	O-ring, Adaptor		
16 - 18	Adaptor Assembly		
19	Gasket, Adaptor		
17(12)	O-ring, Stem Valve	O-ring Package	202424
17(10)	O-ring, Stem Valve	Seal Cap, A8	205792
18(10)	Seal Cap, A8		
19	Gasket, Adaptor	Cartridge, A8A/A81 3/8" (9mm) Port 5/8" (15mm) Port 7/8" (22mm) Port 1 1/8" (28mm) Port 1 3/8" (35mm) Port	202712
20	Cartridge Assembly		202711
21	O-ring, Cartridge		202710
22	Gasket, Body		202709
			202708
3	O-ring, Seal Cap	Gasket/O-ring	203714
4	Retaining Ring		
5	O-ring, Adjustment Stem		
13	Gasket, Bonnet		
15	O-ring, Adaptor		
17	O-ring, Stem Valve		
19	Gasket, Adaptor		
21	O-ring, Cartridge		
22	Gasket, Body		
21(10)	O-ring, Cartridge	O-ring, Cartridge	205017
23	Access Valve	Access Valve	204971

Range A: 0 to 8.3 bar (0 to 120 psi)

Item	Note
25 - 27	See page 33 for solenoid coils and coil kits

A82BL

Differential Pressure Regulator with Electric Wide Open Feature



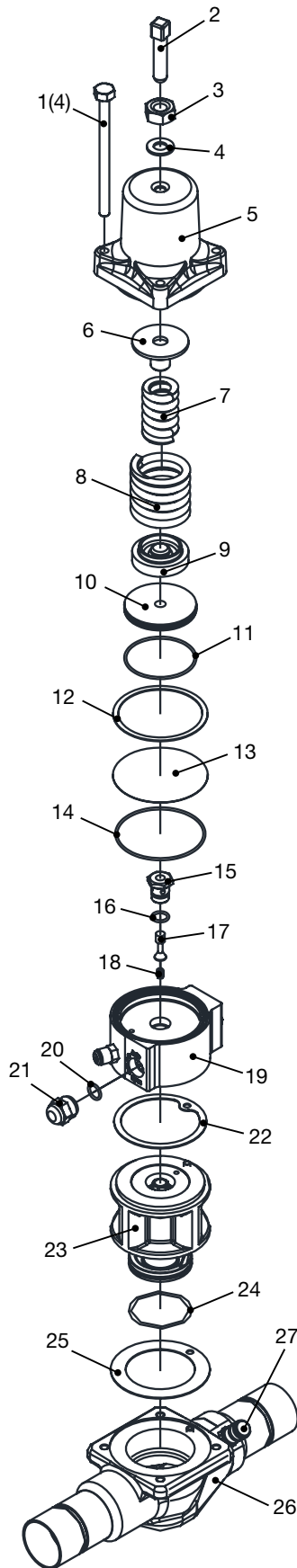
Item	Part Description	Kit Description	Kit
1(4) 16(4)	Bolts, Bonnet Bolts, Adaptor	Bolt Pkg	203822
2 3 5	Seal Cap O-ring, Seal Cap O-ring, Adjustment Stem	Seal Cap	202713
4 5 6	Retaining Ring O-ring, Adjustment Stem Adjustment Stem	Adjustment Stem	201698
3 4 5 7 8 13 15	O-ring, Seal Cap Retaining Ring O-ring, Adjustment Stem Bonnet, A8_L Connector, 1/4" SEA Flare Gasket, Bonnet O-ring, Diaphragm	Bonnet, A8_L	202714
8	Connector, 1/4" SEA Flare	Connector	302043
9 10 11 13	Upper Spring Plate Spring Lower Spring Plate Gasket, Bonnet	Spring	202702
12 13	Diaphragm Follower Gasket, Bonnet	Diaphragm Follower	200911
13 14 15	Gasket, Bonnet Diaphragm O-ring, Adaptor	Diaphragm	200873
13 15 17 - 19 20	Gasket, Bonnet O-ring, Adaptor Adaptor Assembly Gasket, Adaptor	Adaptor, A82B	203805
18(12)	O-ring, Stem Valve	O-ring Package	202424
18(10) 19(10)	O-ring, Stem Valve Seal Cap, A8	Seal Cap, A8	205792
20 21 22 23 24	Gasket, Adaptor Access Valve Cartridge Assembly O-ring, Cartridge Gasket, Body	Cartridge, A82 1 5/8" (42mm) Port 2 1/8" (54mm) Port 2 5/8" (66mm) Port	208284 208285 208286
3 4 5 13 15 18 20 23 24	O-ring, Seal Cap Retaining Ring O-ring, Adjustment Stem Gasket, Bonnet O-ring, Adaptor O-ring, Stem Valve Gasket, Adaptor O-ring, Cartridge Gasket, Body	Gasket/O-ring	203819
21	Access Valve	Access Valve	204971
23(10)	O-ring, Cartridge	O-ring, Cartridge	205018

Range A: 0 to 8.3 bar (0 to 120 psi)

Item	Note
26 - 28	See page 33 for solenoid coils and coil kits

A8AOE/A810E

Outlet (Crankcase) Pressure Regulator - Externally Equalized

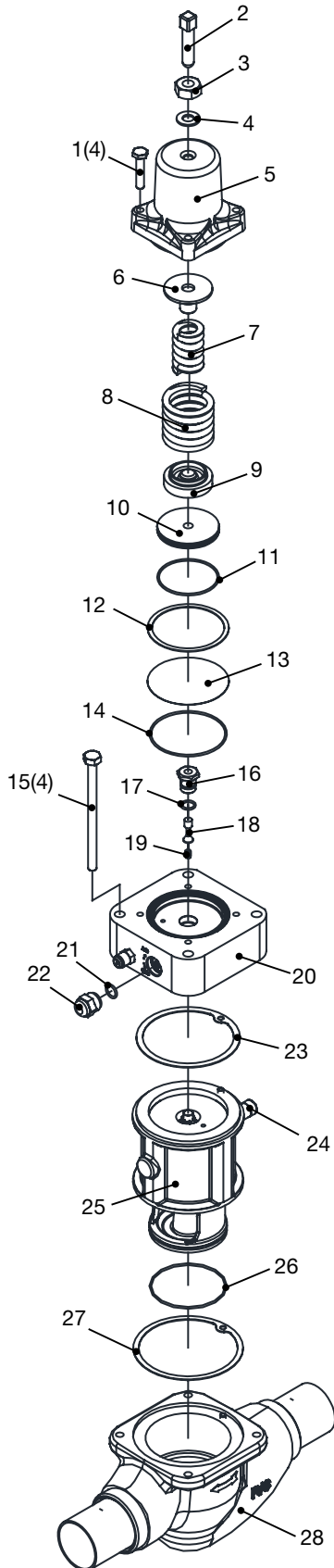


Item	Part Description	Kit Description	Kit
1(4)	Bolts, Bonnet	Bolt Pkg, Bonnet	202716
2	Adjustment Stem	Adjustment Stem	209371
3	Seal Nut		
4	Washer		
4(12)	Washer	Washer Package	209417
5	Bonnet	Bonnet	200910
11	O-ring, Diaphragm Follower		
12	Gasket, Bonnet		
6	Upper Spring Plate	Spring	202205
7	Inner Range Spring		
8	Outer Range Spring		
9	Lower Spring Plate		
11	O-ring, Diaphragm Follower		
12	Gasket, Bonnet	Diaphragm Follower	200911
10	Diaphragm Follower		
11	O-ring, Diaphragm Follower		
12	Gasket, Bonnet	Diaphragm	200873
13	Diaphragm		
14	O-ring, Adaptor		
12 - 14	Diaphragm Kit	Pilot Seat	202715
15	Pilot Seat		
16	O-ring, Pilot Seat		
17	Pilot Plug		
18	Spring, Pilot Seat		
12	Gasket, Bonnet	Adaptor, A8AOE/A810E	202720
14	O-ring, Adaptor		
15 - 21	Adaptor Assembly		
22	Gasket, Adaptor		
20(12)	O-ring, Stem Valve	O-ring Package	202424
20(10)	O-ring, Stem Valve	Seal Cap, A8	205792
21(10)	Seal Cap, A8		
22	Gasket, Adaptor	Cartridge, A8A/A81 3/8" (9mm) Port 5/8" (15mm) Port 7/8" (22mm) Port 1 1/8" (28mm) Port 1 3/8" (35mm) Port	202712
23	Cartridge Assembly		202711
24	O-ring, Cartridge		202710
25	Gasket, Body		202709
			202708
11	O-ring, Diaphragm Follower	Gasket/O-ring	202701
12	Gasket, Bonnet		
14	O-ring, Adaptor		
16	O-ring, Pilot Seat		
20	O-ring, Stem Valve		
22	Gasket, Adaptor		
24	O-ring, Cartridge		
25	Gasket, Body		
24(10)	O-ring, Cartridge	O-ring, Cartridge	205017
27	Access Valve	Access Valve	204971

Range A/D: 250mm Hg to 27.6 bar (10" Hg to 400 psi)

A820E

Outlet (Crankcase) Pressure Regulator - Externally Equalized

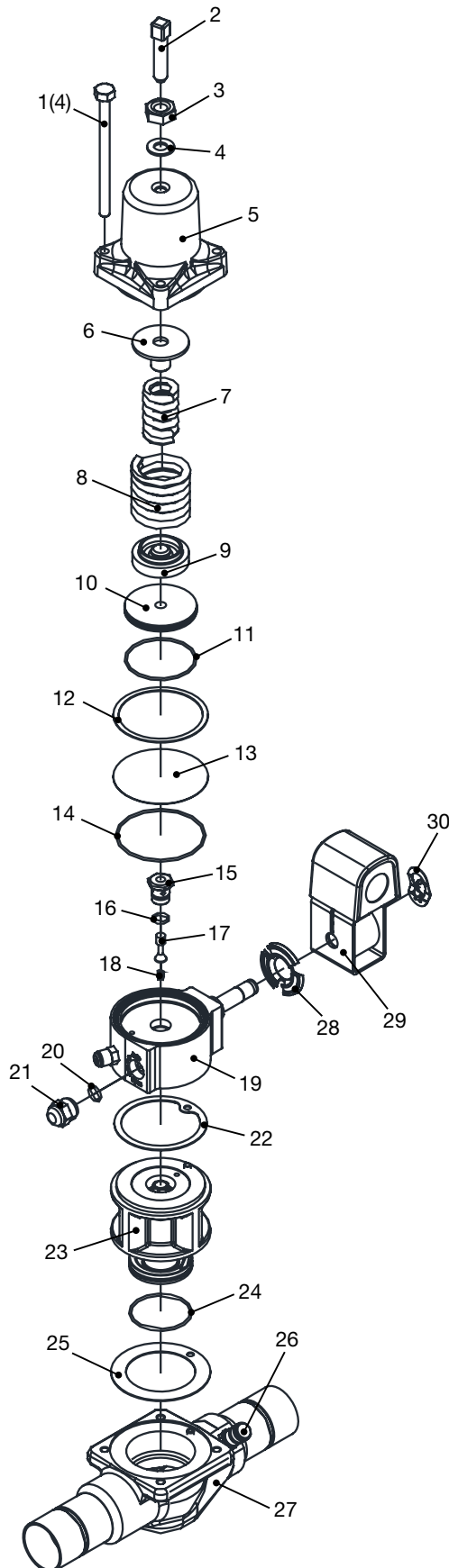


Item	Part Description	Kit Description	Kit
1(4) 15(4)	Bolts, Bonnet Bolts, Adaptor	Bolt Pkg	203821
2 3 4	Adjustment Stem Seal Nut Washer	Adjustment Stem	209371
4(12)	Washer	Washer Package	209417
5 11 12	Bonnet O-ring, Diaphragm Follower Gasket, Bonnet	Bonnet	200910
6 7 8 9 11 12	Upper Spring Plate Inner Range Spring Outer Range Spring Lower Spring Plate O-ring, Diaphragm Follower Gasket, Bonnet	Spring	202205
10 11 12	Diaphragm Follower O-ring, Diaphragm Follower Gasket, Bonnet	Diaphragm Follower	200911
12 13 14	Gasket, Bonnet Diaphragm O-ring, Adaptor	Diaphragm	200873
12 - 14 16 17 18 19	Diaphragm Kit Pilot Seat O-ring, Pilot Seat Pilot Plug Spring, Pilot Seat	Pilot Seat	202715
12 14 16 - 22 23	Gasket, Bonnet O-ring, Adaptor Adaptor Assembly Gasket, Adaptor	Adaptor, A820E	203806
21(12)	O-ring, Stem Valve	O-ring Package	202424
21(10) 22(10)	O-ring, Stem Valve Seal Cap, A8	Seal Cap, A8	205792
23 24 25 26 27	Gasket, Adaptor Access Valve Cartridge Assembly O-ring, Cartridge Gasket, Body	Cartridge, A82 1 ⁵ / ₈ " (42mm) Port 2 ¹ / ₈ " (54mm) Port 2 ⁵ / ₈ " (66mm) Port	203811 203812 203813
11 12 14 21 23 26 27	O-ring, Diaphragm Follower Gasket, Bonnet O-ring, Adaptor O-ring, Stem Valve Gasket, Adaptor O-ring, Cartridge Gasket, Body	Gasket/O-ring	203818
24	Access Valve	Access Valve	204971
26(10)	O-ring, Cartridge	O-ring, Cartridge	205018

Range A/D: 250mm Hg to 27.6 bar (10" Hg to 400 psi)

A8A0ES/A810ES

Outlet (Crankcase) Pressure Regulator with Electric Shut-Off Feature - Externally Equalized



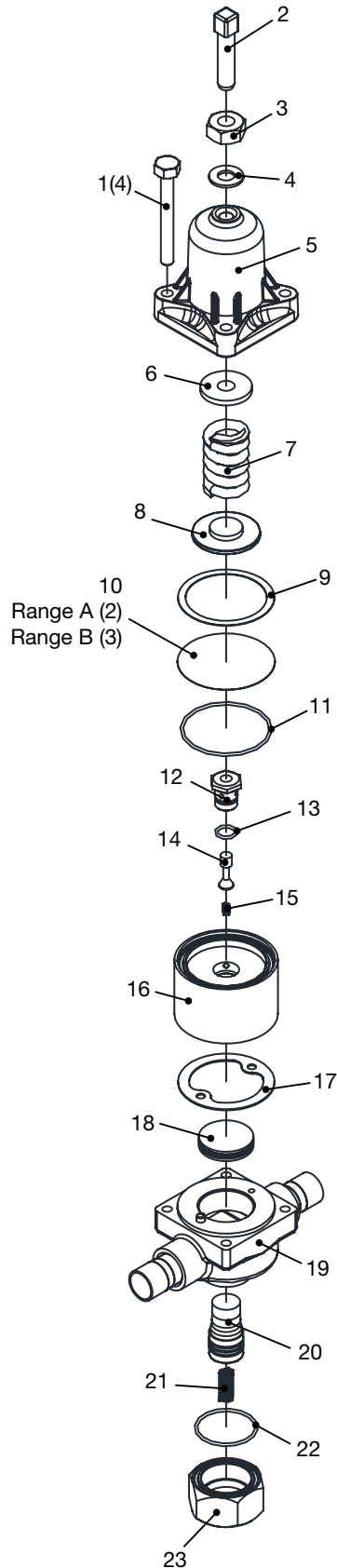
Item	Part Description	Kit Description	Kit
1(4)	Bolts, Bonnet	Bolt Pkg, Bonnet	202716
2	Adjustment Stem	Adjustment Stem	209371
3	Seal Nut		
4	Washer		
4(12)	Washer	Washer Package	209417
5	Bonnet	Bonnet	200910
11	O-ring, Diaphragm Follower		
12	Gasket, Bonnet		
6	Upper Spring Plate	Spring	202205
7	Inner Range Spring		
8	Outer Range Spring		
9	Lower Spring Plate		
11	O-ring, Diaphragm Follower		
12	Gasket, Bonnet		
10	Diaphragm Follower	Diaphragm Follower	200911
11	O-ring, Diaphragm Follower		
12	Gasket, Bonnet		
12	Gasket, Bonnet	Diaphragm	200873
13	Diaphragm		
14	O-ring, Adaptor		
12 - 14	Diaphragm Kit	Pilot Seat	202715
15	Pilot Seat		
16	O-ring, Pilot Seat		
17	Pilot Plug		
18	Spring, Pilot Seat		
12	Gasket, Bonnet	Adaptor, A8A0ES/ A810ES	202719
14	O-ring, Adaptor		
15 - 21	Adaptor Assembly		
22	Gasket, Adaptor		
20(12)	O-ring, Stem Valve	O-ring Package	202424
20(10)	O-ring, Stem Valve	Seal Cap, A8	205792
21(10)	Seal Cap, A8		
22	Gasket, Adaptor	Cartridge, A8A/A81 3/8" (9mm) Port 5/8" (15mm) Port 7/8" (22mm) Port 1 1/8" (28mm) Port 1 3/8" (35mm) Port	202712
23	Cartridge Assembly		202711
24	O-ring, Cartridge		202710
25	Gasket, Body		202709
			202708
11	O-ring, Diaphragm Follower	Gasket/O-ring	202701
12	Gasket, Bonnet		
14	O-ring, Adaptor		
16	O-ring, Pilot Seat		
20	O-ring, Stem Valve		
22	Gasket, Adaptor		
24	O-ring, Cartridge		
25	Gasket, Body		
24(10)	O-ring, Cartridge	O-ring, Cartridge	205017
26	Access Valve	Access Valve	204971

Range A/D: 250mm Hg to 27.6 bar (10" Hg to 400 psi)

Item	Note
28 - 30	See page 33 for solenoid coils and coil kits

A9

Outlet (Hot Gas Bypass) Pressure Regulator

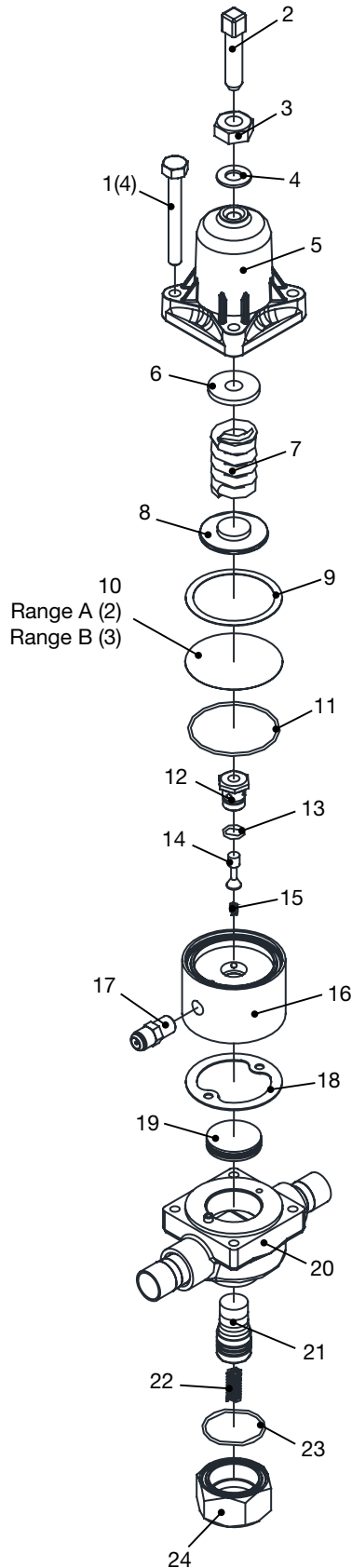


Item	Part Description	Kit Description	Kit
1(4)	Bolts, Bonnet	Bolt Pkg, Bonnet	202254
2	Adjustment Stem		
3	Seal Nut	Adjustment Stem	209416
4	Washer		
4(12)	Washer	Washer Package	209417
5	Bonnet	Bonnet	200907
9	Gasket, Bonnet		
6	Upper Spring Plate		
7	Spring	Spring, Range A	202200
8	Diaphragm Follower	Spring, Range B	202201
9	Gasket, Bonnet		
8	Diaphragm Follower		
9	Gasket, Bonnet	Diaphragm Follower	200896
9	Gasket, Bonnet		
10	Diaphragm	Diaphragm, Range A	200860
11	O-ring, Adaptor	Diaphragm, Range B	200862
9 - 11	Diaphragm Kit		
12	Pilot Seat		
13	O-ring, Pilot Seat	Pilot Seat, Range A/B	200859
14	Pilot Plug		
15	Spring, Pilot Seat		
11	O-ring, Adaptor		
12 - 16	Adaptor Assembly, A9	Adaptor	200890
17	Gasket, Adaptor		
17	Gasket, Adaptor		
18	Piston	Piston	200897
20	Plug	Plug 3/8" (9mm) Port	200895
22	O-ring, Cover	5/8" (15mm) Port	200894
		7/8" (22mm) Port	200892
		1 1/8" (28mm) Port	200893
21(3)	Spring, Plug	Compression Spring	202438
22	O-ring, Cover		
23	Cover	Cover	200891
9	Gasket, Bonnet		
11	O-ring, Adaptor	Gasket/O-ring	202420
13	O-ring, Pilot Seat		
17	Gasket, Adaptor		
22	O-ring, Cover		

Range A: 250mm Hg to 8.3 bar (10" Hg to 120 psi)
Range B: 5.5 to 15.1 bar (80 to 220 psi)

A9E

Outlet (Hot Gas Bypass) Pressure Regulator - Externally Equalized



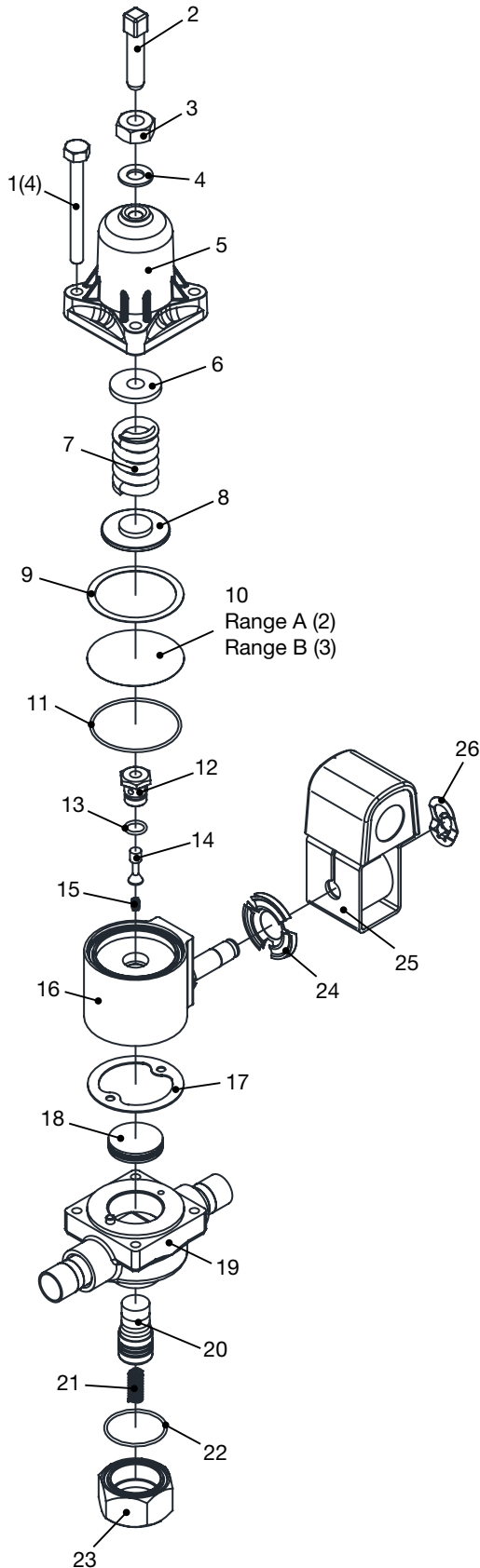
Item	Part Description	Kit Description	Kit		
1(4)	Bolts, Bonnet	Bolt Pkg, Bonnet	202254		
2	Adjustment Stem	Adjustment Stem	209416		
3	Seal Nut				
4	Washer				
4(12)	Washer	Washer Package	209417		
5	Bonnet	Bonnet	200907		
9	Gasket, Bonnet				
6	Upper Spring Plate	Spring, Range A Spring, Range B	202200 202201		
7	Spring				
8	Diaphragm Follower				
9	Gasket, Bonnet	Diaphragm Follower	200896		
8	Diaphragm Follower				
9	Gasket, Bonnet	Diaphragm, Range A Diaphragm, Range B	200860 200862		
10	Diaphragm				
11	O-ring, Adaptor				
9 - 11	Diaphragm Kit	Pilot Seat, Range A/B	200859		
12	Pilot Seat				
13	O-ring, Pilot Seat				
14	Pilot Plug				
15	Spring, Pilot Seat				
11	O-ring, Adaptor	Adaptor	200889		
12 - 17	Adaptor Assembly, A9E				
18	Gasket, Adaptor				
17	Connector, 1/4" SEA Flare	Connector	302043		
18	Gasket, Adaptor	Piston	200897		
19	Piston				
21	Plug	Plug 3/8" (9mm) Port 5/8" (15mm) Port 7/8" (22mm) Port 1 1/8" (28mm) Port	200895 200894 200892 200893		
23	O-ring, Cover				
22(3)	Spring, Plug			Compression Spring	202438
23	O-ring, Cover			Cover	200891
24	Cover				
9	Gasket, Bonnet	Gasket/O-ring	202420		
11	O-ring, Adaptor				
13	O-ring, Pilot Seat				
18	Gasket, Adaptor				
23	O-ring, Cover				

Range A: 250mm Hg to 8.3 bar (10" Hg to 120 psi)

Range B: 5.5 to 15.1 bar (80 to 220 psi)

A9B

Outlet (Hot Gas Bypass) Pressure Regulator with Electric Wide Open Feature



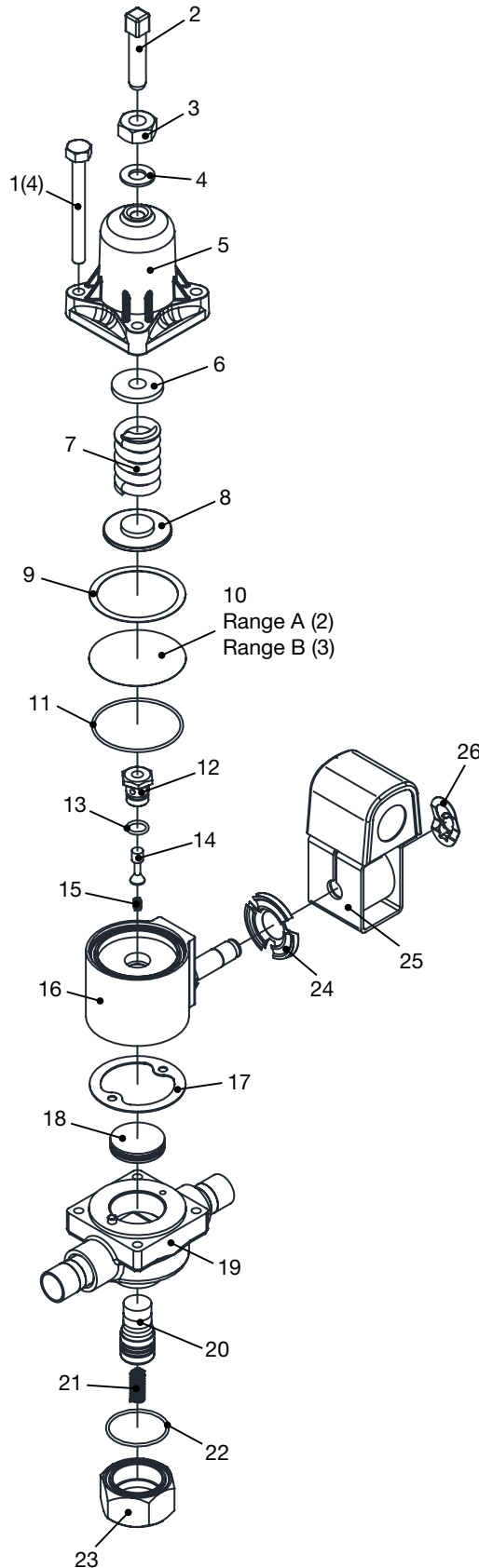
Item	Part Description	Kit Description	Kit
1(4)	Bolts, Bonnet	Bolt Pkg, Bonnet	202255
2	Adjustment Stem	Adjustment Stem	209416
3	Seal Nut		
4	Washer		
4(12)	Washer	Washer Package	209417
5	Bonnet	Bonnet	200907
9	Gasket, Bonnet		
6	Upper Spring Plate	Spring, Range A	202200
7	Spring		
8	Diaphragm Follower		
9	Gasket, Bonnet	Spring, Range B	202201
8	Diaphragm Follower	Diaphragm Follower	200896
9	Gasket, Bonnet		
9	Gasket, Bonnet	Diaphragm, Range A	200860
10	Diaphragm		
11	O-ring, Adaptor	Diaphragm, Range B	200862
9 - 11	Diaphragm Kit	Pilot Seat, Range A/B	200859
12	Pilot Seat		
13	O-ring, Pilot Seat		
14	Pilot Plug		
15	Spring, Pilot Seat		
11	O-ring, Adaptor	Adaptor	207031
12 - 16	Adaptor Assembly, A9B		
17	Gasket, Adaptor		
17	Gasket, Adaptor	Piston	200897
18	Piston		
20	Plug	Plug	200894
22	O-ring, Cover	$\frac{5}{8}$ " (15mm) Port	200892
		$\frac{7}{8}$ " (22mm) Port	200893
		$1\frac{1}{8}$ " (28mm) Port	
21(3)	Spring, Plug	Compression Spring	202438
22	O-ring, Cover	Cover	200891
23	Cover		
9	Gasket, Bonnet	Gasket/O-ring	202420
11	O-ring, Adaptor		
13	O-ring, Pilot Seat		
17	Gasket, Adaptor		
22	O-ring, Cover		

Range A: 250mm Hg to 8.3 bar (10" Hg to 120 psi)
Range B: 5.5 to 15.1 bar (80 to 220 psi)

Item	Note
24 - 26	See page 33 for solenoid coils and coil kits

A9S

Outlet (Hot Gas Bypass) Pressure Regulator with Electric Shut-Off Feature



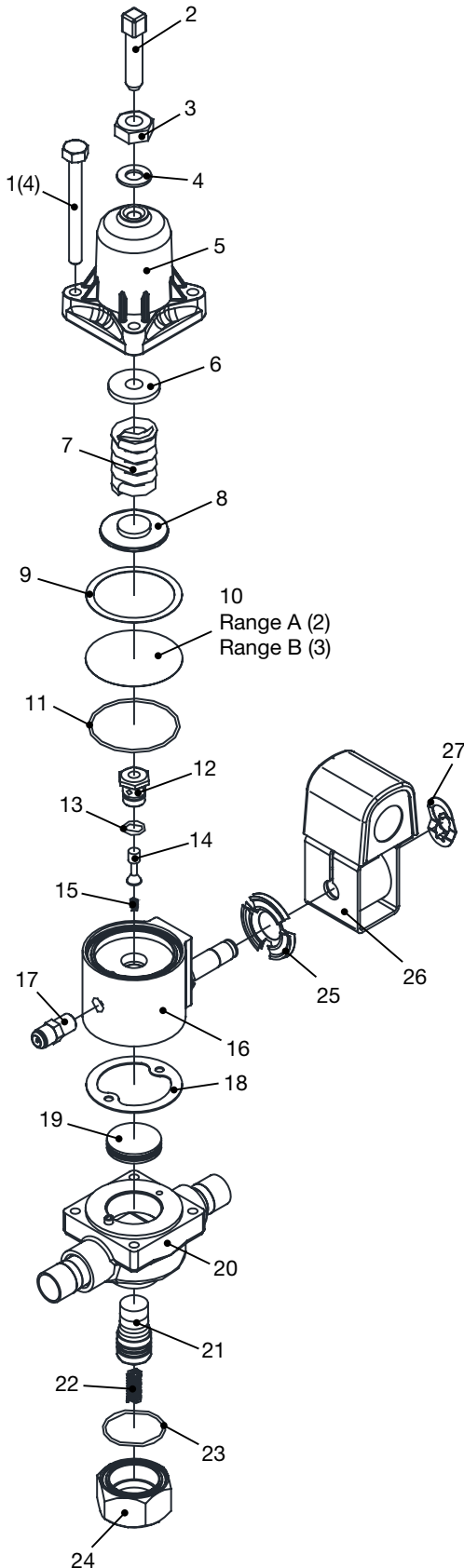
Item	Part Description	Kit Description	Kit
1(4)	Bolts, Bonnet	Bolt Pkg, Bonnet	202255
2	Adjustment Stem	Adjustment Stem	209416
3	Seal Nut		
4	Washer		
4(12)	Washer	Washer Package	209417
5	Bonnet	Bonnet	200907
9	Gasket, Bonnet		
6	Upper Spring Plate	Spring, Range A Spring, Range B	202200
7	Spring		
8	Diaphragm Follower		
9	Gasket, Bonnet	Diaphragm Follower	200896
8	Diaphragm Follower		
9	Gasket, Bonnet	Diaphragm, Range A Diaphragm, Range B	200860
10	Diaphragm		
11	O-ring, Adaptor		
9 - 11	Diaphragm Kit	Pilot Seat, Range A/B	200859
12	Pilot Seat		
13	O-ring, Pilot Seat		
14	Pilot Plug		
15	Spring, Pilot Seat		
11	O-ring, Adaptor	Adaptor	202402
12 - 16	Adaptor Assembly, A9S		
17	Gasket, Adaptor		
17	Gasket, Adaptor	Piston	200897
18	Piston		
20	Plug	Plug 3/8" (9mm) Port	200895
22	O-ring, Cover	5/8" (15mm) Port	200894
		7/8" (22mm) Port	200892
		1 1/8" (28mm) Port	200893
21(3)	Spring, Plug	Compression Spring	202438
22	O-ring, Cover	Cover	200891
23	Cover		
9	Gasket, Bonnet	Gasket/O-ring	202420
11	O-ring, Adaptor		
13	O-ring, Pilot Seat		
17	Gasket, Adaptor		
22	O-ring, Cover		

Range A: 250mm Hg to 8.3 bar (10" Hg to 120 psi)
Range B: 5.5 to 15.1 bar (80 to 220 psi)

Item	Note
24 - 26	See page 33 for solenoid coils and coil kits

A9SE

Outlet (Hot Gas Bypass) Pressure Regulator with Electric Shut-Off Feature - Externally Equalized



Item	Part Description	Kit Description	Kit		
1(4)	Bolts, Bonnet	Bolt Pkg, Bonnet	202255		
2	Adjustment Stem	Adjustment Stem	209416		
3	Seal Nut				
4	Washer				
4(12)	Washer	Washer Package	209417		
5	Bonnet	Bonnet	200907		
9	Gasket, Bonnet				
6	Upper Spring Plate	Spring, Range A Spring, Range B	202200 202201		
7	Spring				
8	Diaphragm Follower				
9	Gasket, Bonnet	Diaphragm Follower	200896		
8	Diaphragm Follower				
9	Gasket, Bonnet	Diaphragm, Range A Diaphragm, Range B	200860 200862		
10	Diaphragm				
11	O-ring, Adaptor	Diaphragm Kit			
12	Pilot Seat				
13	O-ring, Pilot Seat				
14	Pilot Plug				
15	Spring, Pilot Seat				
11	O-ring, Adaptor	Adaptor	202401		
12 - 17	Adaptor Assembly, A9SE				
18	Gasket, Adaptor				
17	Connector, 1/4" SEA Flare	Connector	302043		
18	Gasket, Adaptor	Piston	200897		
19	Piston				
21	Plug	Plug 3/8" (9mm) Port 5/8" (15mm) Port 7/8" (22mm) Port 1 1/8" (28mm) Port	200895 200894 200892 200893		
23	O-ring, Cover				
22(3)	Spring, Plug			Compression Spring	202438
23	O-ring, Cover			Cover	200891
24	Cover				
9	Gasket, Bonnet	Gasket/O-ring	202420		
11	O-ring, Adaptor				
13	O-ring, Pilot Seat				
18	Gasket, Adaptor				
23	O-ring, Cover				

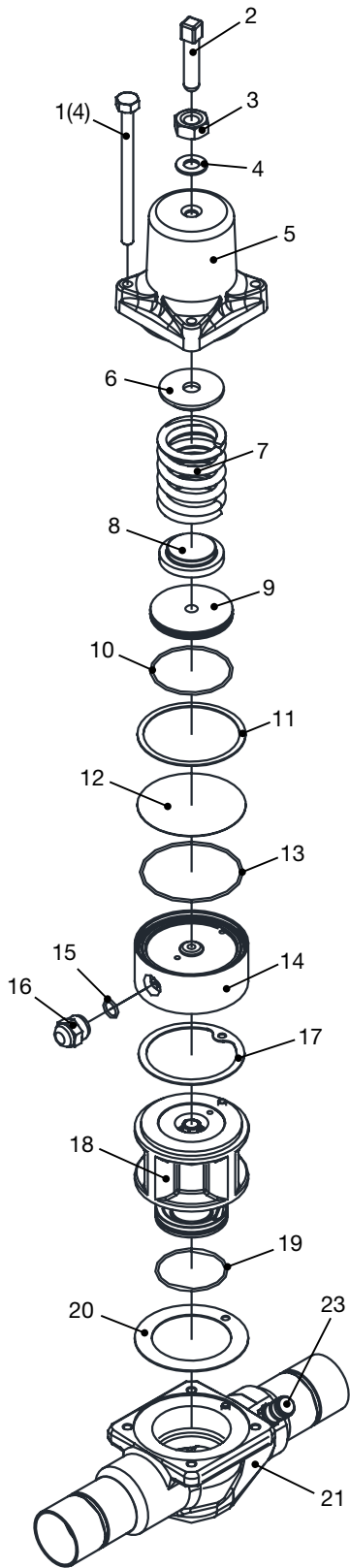
Range A: 250mm Hg to 8.3 bar (10" Hg to 120 psi)

Range B: 5.5 to 15.1 bar (80 to 220 psi)

Item	Note
25 - 27	See page 33 for solenoid coils and coil kits

A8 PORT, A8 PORT II

Evaporator Pressure Regulator (EPR) - Port Sizes 03 thru 11

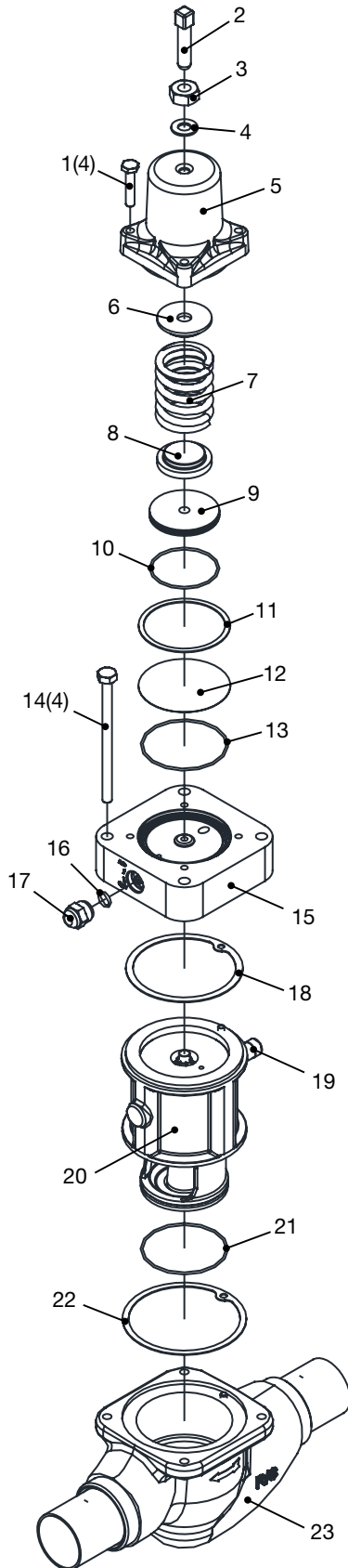


Item	Part Description	Kit Description	Kit
1(4)	Bolts, Bonnet	Bolt Pkg, Bonnet	202717
2	Adjustment Stem	Adjustment Stem	209371
3	Seal Nut		
4	Washer		
4(12)	Washer	Washer Package	209417
5	Bonnet	Bonnet	200910
10	O-ring, Diaphragm Follower		
11	Gasket, Bonnet		
6	Upper Spring Plate	Spring	204368
7	Range Spring		
8	Lower Spring Plate		
9	O-ring, Diaphragm Follower		
11	Gasket, Bonnet		
9	Diaphragm Follower	Diaphragm Follower	200911
10	O-ring, Diaphragm Follower		
11	Gasket, Bonnet		
11	Gasket, Bonnet	Diaphragm	200873
12	Diaphragm		
13	O-ring, Adaptor		
11	Gasket, Bonnet		
13	O-ring, Adaptor	Adaptor, A8A/A81	202721
14 - 16	Adaptor Assembly		
17	Gasket, Adaptor		
11	Gasket, Bonnet		
15(12)	O-ring, Stem Valve	O-ring Package	202424
15(10)	O-ring, Stem Valve	Seal Cap, A8	205792
16(10)	Seal Cap, A8		
17	Gasket, Adaptor	Cartridge, A8 PORT 03 (3/8") Port 05 (1/2") Port 07 (3/4") Port 09 (1 1/8") Port 11 (1 3/8") Port	202712
18	Cartridge Assembly		202711
19	O-ring, Cartridge		202710
20	Gasket, Body		202709
			202708
17	Gasket, Adaptor	Cartridge, A8 PORT II 03 (3/8") Port 05 (1/2") Port 07 (3/4") Port 09 (1 1/8") Port 11 (1 3/8") Port	204927
18	Cartridge Assembly		204928
19	O-ring, Cartridge		204929
20	Gasket, Body		204930
			204931
10	O-ring, Diaphragm Follower	Gasket/O-ring	202701
11	Gasket, Bonnet		
13	O-ring, Adaptor		
15	O-ring, Stem Valve		
17	Gasket, Adaptor		
19	O-ring, Cartridge		
20	Gasket, Body		
19(10)	O-ring, Cartridge	O-ring, Cartridge	205017
22	Access Valve	Access Valve	204971

Range A: 250mm Hg to 8.3 bar (10" Hg to 120 psi)

A8 PORT

Evaporator Pressure Regulator (EPR) - Port Sizes 13 thru 21

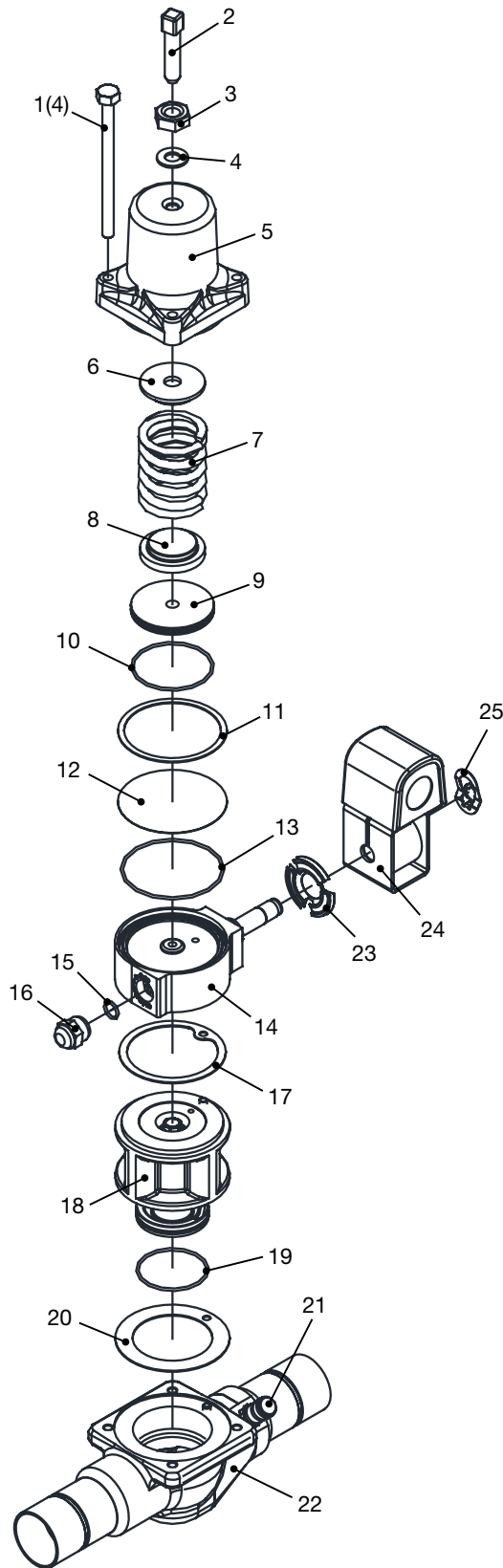


Item	Part Description	Kit Description	Kit
1(4) 14(4)	Bolts, Bonnet Bolts, Adaptor	Bolt Pkg	203820
2 3 4	Adjustment Stem Seal Nut Washer	Adjustment Stem	209371
4(12)	Washer	Washer Package	209417
5 10 11	Bonnet O-ring, Diaphragm Follower Gasket, Bonnet	Bonnet	200910
6 7 8 9 11	Upper Spring Plate Range Spring Lower Spring Plate O-ring, Diaphragm Follower Gasket, Bonnet	Spring	204368
9 10 11	Diaphragm Follower O-ring, Diaphragm Follower Gasket, Bonnet	Diaphragm Follower	200911
11 12 13	Gasket, Bonnet Diaphragm O-ring, Adaptor	Diaphragm	200873
11 13 15 - 17 18	Gasket, Bonnet O-ring, Adaptor Adaptor Assembly Gasket, Adaptor	Adaptor, A82	203803
16(12)	O-ring, Stem Valve	O-ring Package	202424
16(10) 17(10)	O-ring, Stem Valve Seal Cap, A8	Seal Cap, A8	205792
18 19 20 21 22	Gasket, Adaptor Access Valve Cartridge Assembly O-ring, Cartridge Gasket, Body	Cartridge, A8 PORT 13 (1 ⁵ / ₈ " Port 17 (2 ¹ / ₈ " Port 21 (2 ⁵ / ₈ " Port	203811 203812 203813
10 11 13 16 18 21 22	O-ring, Diaphragm Follower Gasket, Bonnet O-ring, Adaptor O-ring, Stem Valve Gasket, Adaptor O-ring, Cartridge Gasket, Body	Gasket/O-ring	203818
19	Access Valve	Access Valve	204971
21(10)	O-ring, Cartridge	O-ring, Cartridge	205018

Range A: 250mm Hg to 8.3 bar (10" Hg to 120 psi)

A8 SPORT, A8 SPORT II

Evaporator Pressure Regulator (EPR) with Electric Shut-Off Feature - Port Sizes 03 thru 11



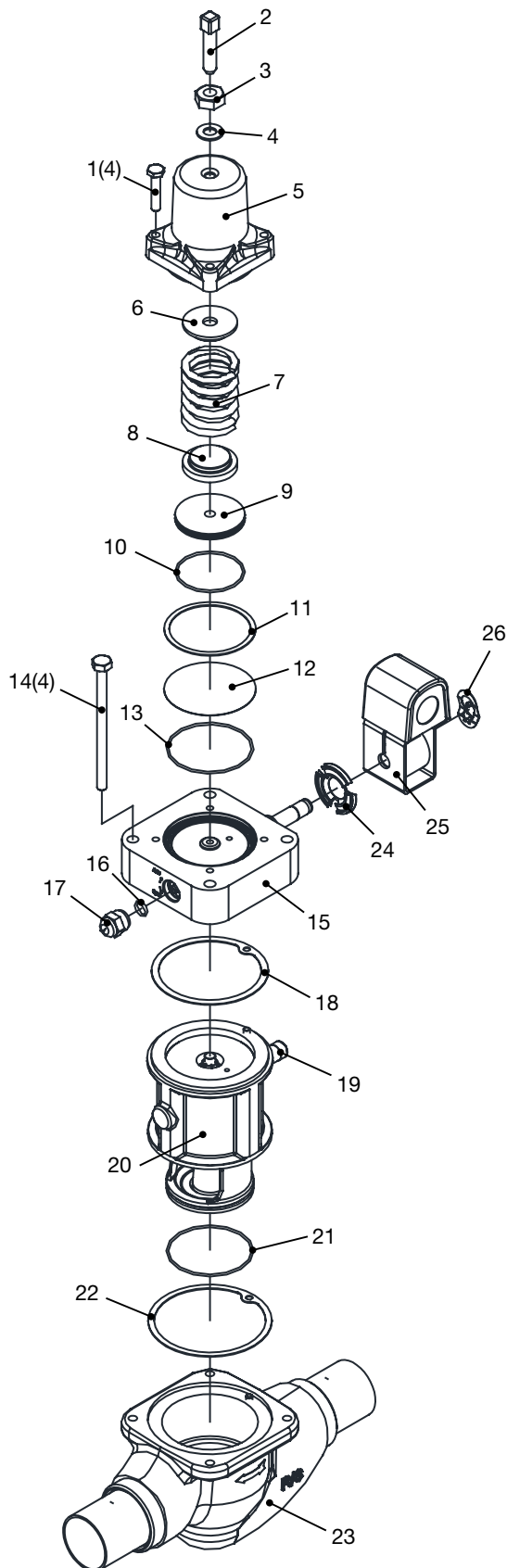
Item	Part Description	Kit Description	Kit
1(4)	Bolts, Bonnet	Bolt Pkg, Bonnet	202717
2	Adjustment Stem	Adjustment Stem	209371
3	Seal Nut		
4	Washer	Washer Package	209417
4(12)	Washer		
5	Bonnet	Bonnet	200910
11	O-ring, Diaphragm Follower		
12	Gasket, Bonnet		
6	Upper Spring Plate	Spring	204368
7	Outer Range Spring		
8	Lower Spring Plate		
9	O-ring, Diaphragm Follower		
11	Gasket, Bonnet		
9	Diaphragm Follower	Diaphragm Follower	200911
10	O-ring, Diaphragm Follower		
11	Gasket, Bonnet		
11	Gasket, Bonnet	Diaphragm	200873
12	Diaphragm		
13	O-ring, Adaptor		
11	Gasket, Bonnet	Adaptor, A8AS/A81S	202722
13	O-ring, Adaptor		
14 - 16	Adaptor Assembly		
17	Gasket, Adaptor		
15(12)	O-ring, Stem Valve	O-ring Package	202424
15(10)	O-ring, Stem Valve	Seal Cap, A8	205792
16(10)	Seal Cap, A8		
17	Gasket, Adaptor	Cartridge, A8 SPORT 03 (3/8") Port 05 (1/2") Port 07 (3/4") Port 09 (1 1/8") Port 11 (1 3/8") Port	202712
18	Cartridge Assembly		202711
19	O-ring, Cartridge		202710
20	Gasket, Body		202709
			202708
17	Gasket, Adaptor	Cartridge, A8 SPORT II 03 (3/8") Port 05 (1/2") Port 07 (3/4") Port 09 (1 1/8") Port 11 (1 3/8") Port	204927
18	Cartridge Assembly		204928
19	O-ring, Cartridge		204929
20	Gasket, Body		204930
			204931
10	O-ring, Diaphragm Follower	Gasket/O-ring	202701
11	Gasket, Bonnet		
13	O-ring, Adaptor		
15	O-ring, Stem Valve		
17	Gasket, Adaptor		
19	O-ring, Cartridge		
20	Gasket, Body		
19(10)	O-ring, Cartridge	O-ring, Cartridge	205017
21	Access Valve	Access Valve	204971

Range A: 250mm Hg to 8.3 bar (10" Hg to 120 psi)

Item	Note
23 - 25	See page 33 for solenoid coils and coil kits

A8 SPORT

Evaporator Pressure Regulator (EPR) with Electric Shut-Off Feature - Port Sizes 13 thru 21



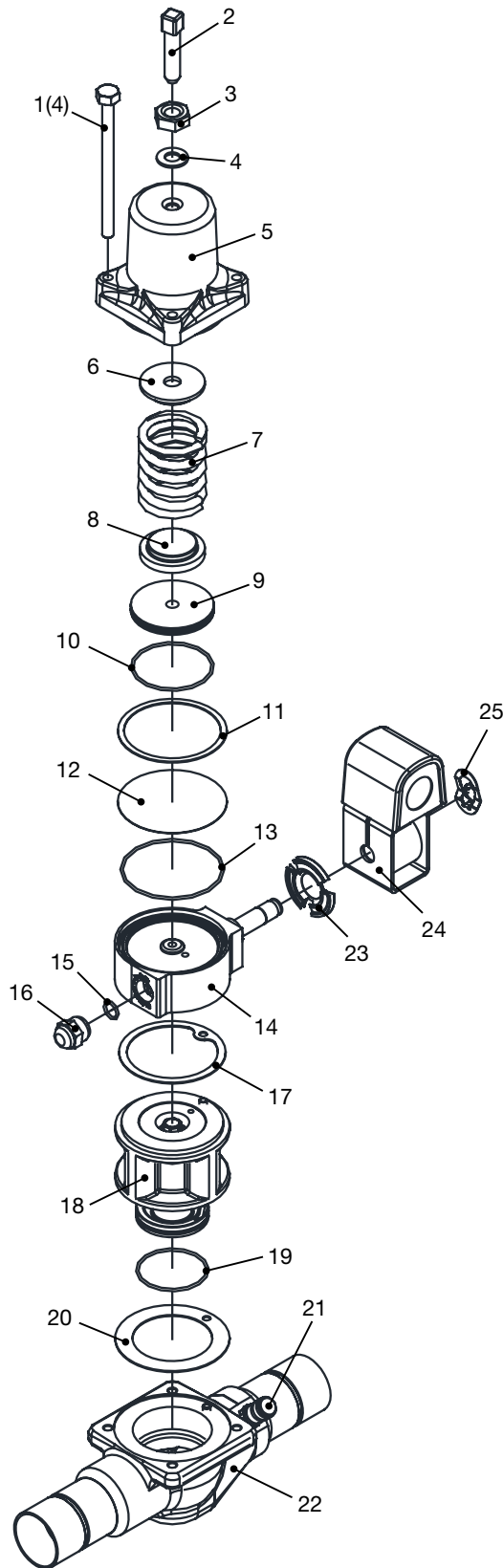
Item	Part Description	Kit Description	Kit
1(4) 14(4)	Bolts, Bonnet Bolts, Adaptor	Bolt Pkg	203820
2 3 4	Adjustment Stem Seal Nut Washer	Adjustment Stem	209371
4(12)	Washer	Washer Package	209417
5 11 12	Bonnet O-ring, Diaphragm Follower Gasket, Bonnet	Bonnet	200910
6 7 8 9 11	Upper Spring Plate Outer Range Spring Lower Spring Plate O-ring, Diaphragm Follower Gasket, Bonnet	Spring	204368
9 10 11	Diaphragm Follower O-ring, Diaphragm Follower Gasket, Bonnet	Diaphragm Follower	200911
11 12 13	Gasket, Bonnet Diaphragm O-ring, Adaptor	Diaphragm	200873
11 13 15 - 17 18	Gasket, Bonnet O-ring, Adaptor Adaptor Assembly Gasket, Adaptor	Adaptor, A82S	203804
16(12)	O-ring, Stem Valve	O-ring Package	202424
16(10) 17(10)	O-ring, Stem Valve Seal Cap, A8	Seal Cap, A8	205792
18 19 20 21 22	Gasket, Adaptor Access Valve Cartridge Assembly O-ring, Cartridge Gasket, Body	Cartridge, A8 SPORT 13 (1 ⁵ / ₈ " Port) 17 (2 ¹ / ₈ " Port) 21 (2 ⁵ / ₈ " Port)	203811 203812 203813
10 11 13 16 18 21 22	O-ring, Diaphragm Follower Gasket, Bonnet O-ring, Adaptor O-ring, Stem Valve Gasket, Adaptor O-ring, Cartridge Gasket, Body	Gasket/O-ring	203818
19	Access Valve	Access Valve	204971
21(10)	O-ring, Cartridge	O-ring, Cartridge	205018

Range A: 250mm Hg to 8.3 bar (10" Hg to 120 psi)

Item	Note
24 - 26	See page 33 for solenoid coils and coil kits

A8 PORT B, A8 PORT II B

Evaporator Pressure Regulator (EPR) with Electric Wide Open Feature - Port Sizes 03 thru 11



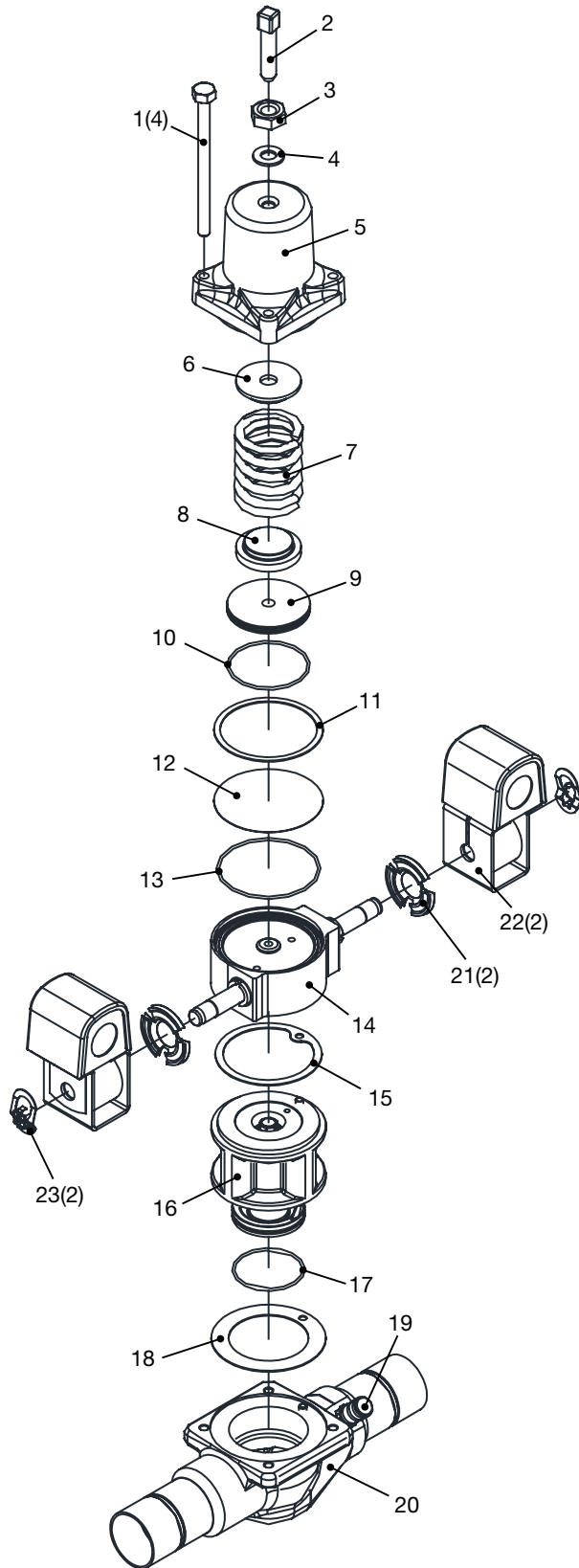
Item	Part Description	Kit Description	Kit
1(4)	Bolts, Bonnet	Bolt Pkg, Bonnet	202717
2	Adjustment Stem	Adjustment Stem	209371
3	Seal Nut		
4	Washer		
4(12)	Washer	Washer Package	209417
5	Bonnet	Bonnet	200910
11	O-ring, Diaphragm Follower		
12	Gasket, Bonnet		
6	Upper Spring Plate	Spring	204368
7	Outer Range Spring		
8	Lower Spring Plate		
9	O-ring, Diaphragm Follower		
11	Gasket, Bonnet		
9	Diaphragm Follower	Diaphragm Follower	200911
10	O-ring, Diaphragm Follower		
11	Gasket, Bonnet		
11	Gasket, Bonnet	Diaphragm	200873
12	Diaphragm		
13	O-ring, Adaptor		
11	Gasket, Bonnet	Adaptor, A8AB/A81B	202723
13	O-ring, Adaptor		
14 - 16	Adaptor Assembly		
17	Gasket, Adaptor		
15(12)	O-ring, Stem Valve	O-ring Package	202424
15(10)	O-ring, Stem Valve	Seal Cap, A8	205792
16(10)	Seal Cap, A8		
17	Gasket, Adaptor	Cartridge, A8 PORT B 03 (3/8") Port 05 (1/2") Port 07 (3/4") Port 09 (1 1/8") Port 11 (1 3/8") Port	202712
18	Cartridge Assembly		202711
19	O-ring, Cartridge		202710
20	Gasket, Body		202709
			202708
17	Gasket, Adaptor	Cartridge, A8 PORT II B 03 (3/8") Port 05 (1/2") Port 07 (3/4") Port 09 (1 1/8") Port 11 (1 3/8") Port	204927
18	Cartridge Assembly		204928
19	O-ring, Cartridge		204929
20	Gasket, Body		204930
			204931
10	O-ring, Diaphragm Follower	Gasket/O-ring	202701
11	Gasket, Bonnet		
13	O-ring, Adaptor		
15	O-ring, Stem Valve		
17	Gasket, Adaptor		
19	O-ring, Cartridge		
20	Gasket, Body		
19(10)	O-ring, Cartridge	O-ring, Cartridge	205017
21	Access Valve	Access Valve	204971

Range A: 250mm Hg to 8.3 bar (10" Hg to 120 psi)

Item	Note
23 - 25	See page 33 for solenoid coils and coil kits

A8 SPORT B, A8 SPORT II B

Evaporator Pressure Regulator (EPR) with Electric Shut-Off and Wide Open Feature - Port Sizes 03 thru 11



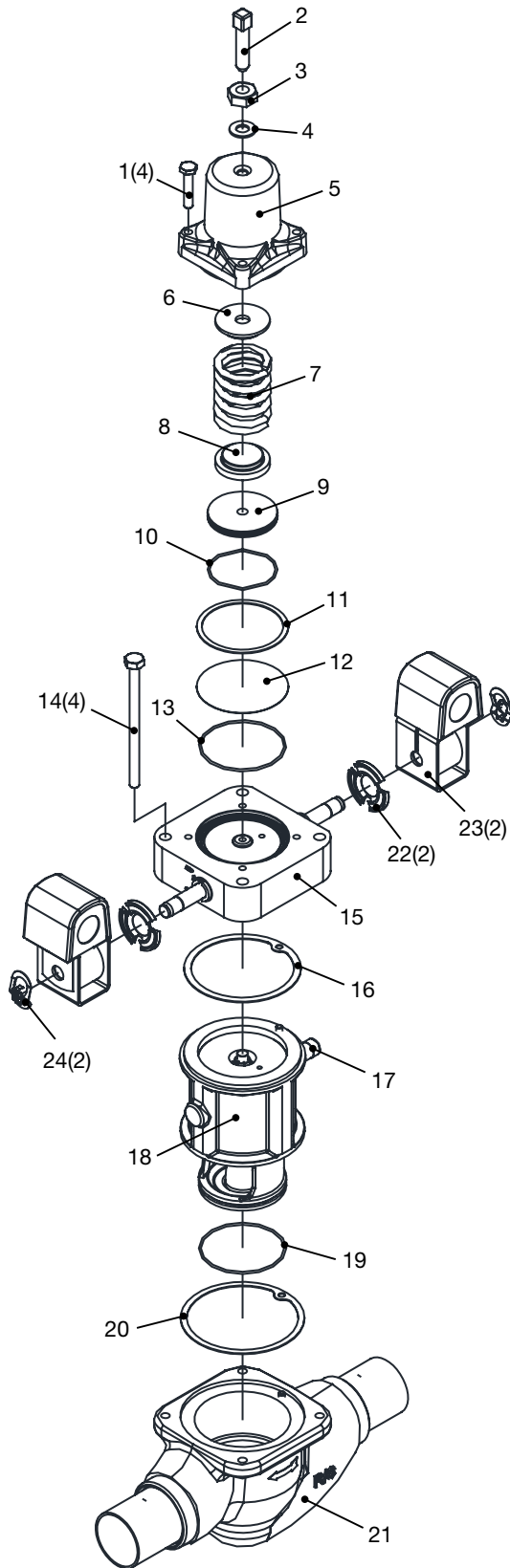
Item	Part Description	Kit Description	Kit
1(4)	Bolts, Bonnet	Bolt Pkg, Bonnet	202717
2	Adjustment Stem	Adjustment Stem	209371
3	Seal Nut	Adjustment Stem	209371
4	Washer	Washer Package	209417
4(12)	Washer	Washer Package	209417
5	Bonnet	Bonnet	200910
11	O-ring, Diaphragm Follower	Bonnet	200910
12	Gasket, Bonnet	Bonnet	200910
6	Upper Spring Plate	Spring	204368
7	Outer Range Spring		
8	Lower Spring Plate		
9	O-ring, Diaphragm Follower		
11	Gasket, Bonnet		
9	Diaphragm Follower	Diaphragm Follower	200911
10	O-ring, Diaphragm Follower	Diaphragm Follower	200911
11	Gasket, Bonnet	Diaphragm	200873
12	Diaphragm		
13	O-ring, Adaptor		
11	Gasket, Bonnet	Adaptor, A8ABS/A81BS	204363
13	O-ring, Adaptor		
14	Adaptor Assembly		
15	Gasket, Adaptor		
15	Gasket, Adaptor	Cartridge, A8 SPORT B	202712
16	Cartridge Assembly		
17	O-ring, Cartridge		
18	Gasket, Body		
18	Gasket, Body		
15	Gasket, Adaptor	Cartridge, A8 SPORT II B	204927
16	Cartridge Assembly		
17	O-ring, Cartridge		
18	Gasket, Body		
18	Gasket, Body		
10	O-ring, Diaphragm Follower	Gasket/O-ring	202701
11	Gasket, Bonnet		
13	O-ring, Adaptor		
15	Gasket, Adaptor		
17	O-ring, Cartridge		
18	Gasket, Body		
17(10)	O-ring, Cartridge	O-ring, Cartridge	205017
19	Access Valve	Access Valve	204971

Range A: 250mm Hg to 8.3 bar (10" Hg to 120 psi)

Item	Note
21 - 23	See page 33 for solenoid coils and coil kits

A8 SPORT B

Evaporator Pressure Regulator (EPR) with Electric Shut-Off and Wide Open Feature - Port Sizes 13 thru 21



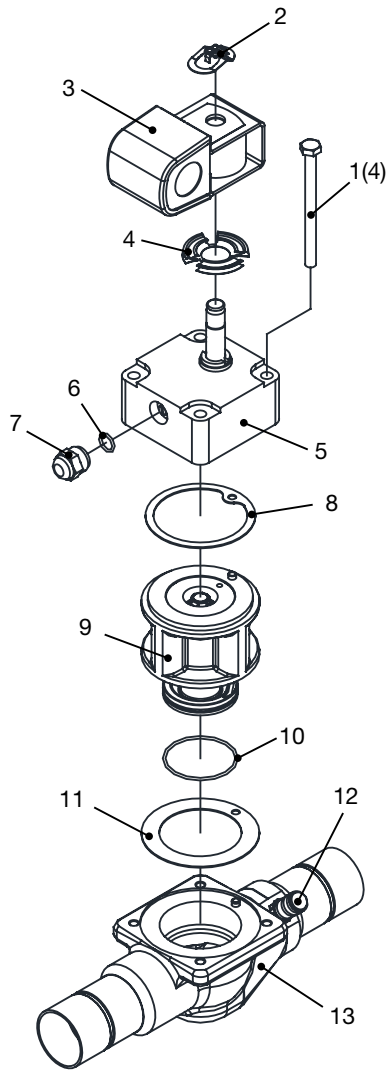
Item	Part Description	Kit Description	Kit
1(4) 14(4)	Bolts, Bonnet Bolts, Adaptor	Bolt Pkg	203820
2 3 4	Adjustment Stem Seal Nut Washer	Adjustment Stem	209371
4(12)	Washer	Washer Package	209417
5 11 12	Bonnet O-ring, Diaphragm Follower Gasket, Bonnet	Bonnet	200910
6 7 8 9 11	Upper Spring Plate Outer Range Spring Lower Spring Plate O-ring, Diaphragm Follower Gasket, Bonnet	Spring	204368
9 10 11	Diaphragm Follower O-ring, Diaphragm Follower Gasket, Bonnet	Diaphragm Follower	200911
11 12 13	Gasket, Bonnet Diaphragm O-ring, Adaptor	Diaphragm	200873
11 13 15 16	Gasket, Bonnet O-ring, Adaptor Adaptor Assembly Gasket, Adaptor	Adaptor, A82BS	204592
16 17 18 19 20	Gasket, Adaptor Access Valve Cartridge Assembly O-ring, Cartridge Gasket, Body	Cartridge, A8 SPORT B 13 (1 ⁵ / ₈ " Port) 17 (2 ¹ / ₈ " Port) 21 (2 ⁵ / ₈ " Port)	203811 203812 203813
10 11 13 16 19 20	O-ring, Diaphragm Follower Gasket, Bonnet O-ring, Adaptor Gasket, Adaptor O-ring, Cartridge Gasket, Body	Gasket/O-ring	203818
17	Access Valve	Access Valve	204971
19(10)	O-ring, Cartridge	O-ring, Cartridge	205018
22(12)	Washer, Spring	Washer Pkg, Spring	208594

Range A: 250mm Hg to 8.3 bar (10" Hg to 120 psi)

Item	Note
22 - 24	See page 33 for solenoid coils and coil kits

SC1, SC II

Solenoid Valve - Port Sizes 03 thru 11

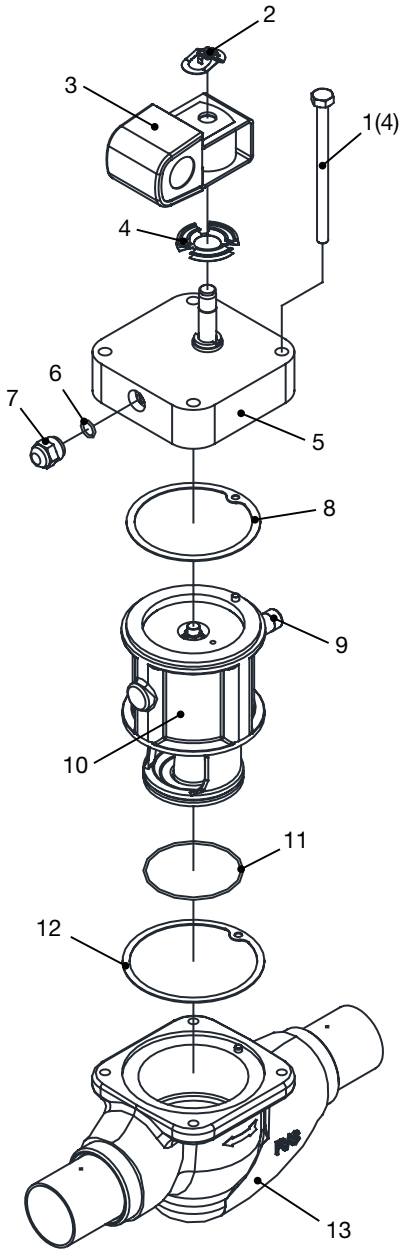


Item	Part Description	Kit Description	Kit
1(4)	Bolts, Adaptor	Bolt Pkg, Adaptor	204677
5 - 7 8	Adaptor Assembly Gasket, Adaptor	Adaptor	204671
8	Gasket, Adaptor	Cartridge, SC1 03 (3/8") Port 05 (5/8") Port 07 (7/8") Port 09 (1 1/8") Port 11 (1 3/8") Port	202712
9	Cartridge Assembly		202711
10	O-ring, Cartridge		202710
11	Gasket, Body		202709
			202708
8	Gasket, Adaptor	Cartridge, SC II 03 (3/8") Port 05 (5/8") Port 07 (7/8") Port 09 (1 1/8") Port 11 (1 3/8") Port	204927
9	Cartridge Assembly		204928
10	O-ring, Cartridge		204929
11	Gasket, Body		204930
			204931
6	O-ring, Adaptor	Gasket/O-ring	202701
8	Gasket, Adaptor		
10	O-ring, Cartridge		
12	Gasket, Body		
10(10)	O-ring, Cartridge	O-ring, Cartridge	205017
12	Access Valve	Access Valve	204971

Item	Note
2 - 4	See page 33 for solenoid coils and coil kits

SC2

Solenoid Valve - Port Sizes 13 thru 21

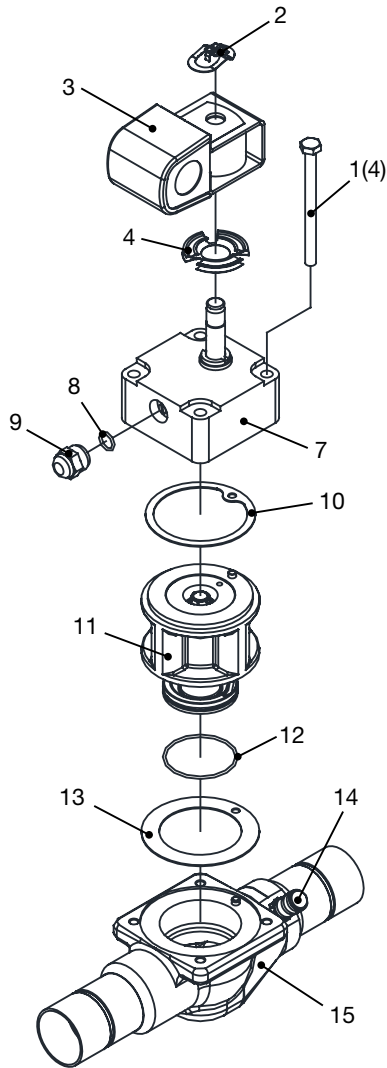


Item	Part Description	Kit Description	Kit	
1(4)	Bolts, Adaptor	Bolt Pkg, Adaptor	204676	
5 - 7	Adaptor Assembly	Adaptor	204670	
8	Gasket, Adaptor			
8	Gasket, Adaptor	Cartridge, SC2		
9	Access Valve			13 (1 ⁵ / ₈ " Port)
10	Cartridge Assembly			17 (2 ¹ / ₈ " Port)
11	O-ring, Cartridge	21 (2 ⁵ / ₈ " Port)	203813	
12	Gasket, Body			
6	O-ring, Adaptor	Gasket/O-ring	203818	
8	Gasket, Adaptor			
11	O-ring, Cartridge			
12	Gasket, Body			
12(10)	O-ring, Cartridge	O-ring, Cartridge	205018	
9	Access Valve	Access Valve	204971	

Item	Note
2 - 4	See page 33 for solenoid coils and coil kits

S81

Solenoid Valve - Port Sizes 03 thru 11

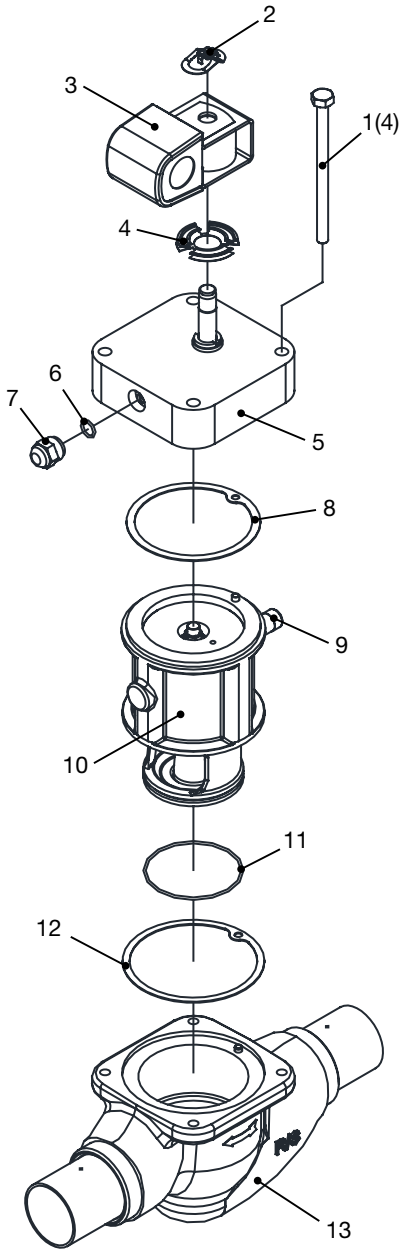


Item	Part Description	Kit Description	Kit
1(4)	Bolts, Adaptor	Bolt Pkg, Adaptor	204677
7 - 9	Adaptor Assembly	Adaptor	204671
10	Gasket, Adaptor	Cartridge, SC1 03 (3/8") Port 05 (1/2") Port 07 (3/4") Port 09 (1 1/8") Port 11 (1 3/8") Port	202712
11	Cartridge Assembly		202711
12	O-ring, Cartridge		202710
13	Gasket, Body		202709 202708
8	O-ring, Adaptor	Gasket/O-ring	202701
10	Gasket, Adaptor		
12	O-ring, Cartridge		
13	Gasket, Body		
12(10)	O-ring, Cartridge	O-ring, Cartridge	205017
14	Access Valve	Access Valve	204971

Item	Note
2 - 4	See page 33 for solenoid coils and coil kits

S82

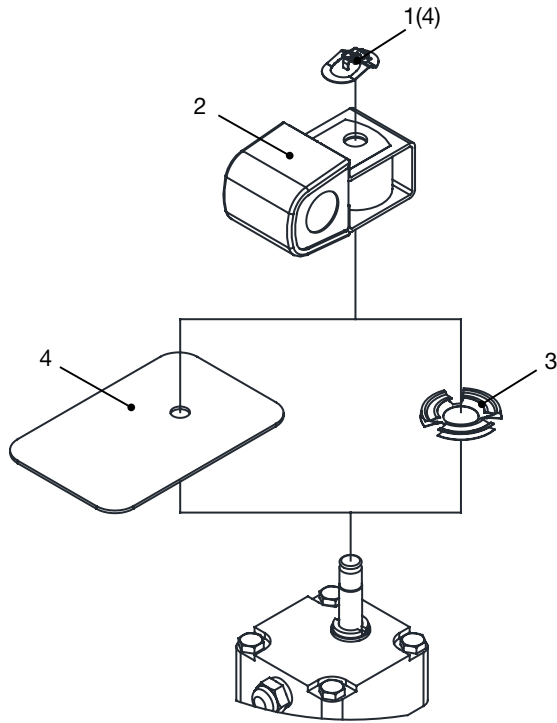
Solenoid Valve - Port Sizes 13 thru 21



Item	Part Description	Kit Description	Kit	
1(4)	Bolts, Adaptor	Bolt Pkg, Adaptor	204676	
5 - 7	Adaptor Assembly	Adaptor	204670	
8	Gasket, Adaptor			
8	Gasket, Adaptor	Cartridge, SC2		
9	Access Valve			13 (1 ⁵ / ₈ " Port)
10	Cartridge Assembly			17 (2 ¹ / ₈ " Port)
11	O-ring, Cartridge	21 (2 ⁵ / ₈ " Port)	207159	
12	Gasket, Body		201160	
6	O-ring, Adaptor	Gasket/O-ring	203818	
8	Gasket, Adaptor			
11	O-ring, Cartridge			
12	Gasket, Body		207161	
12(10)	O-ring, Cartridge	O-ring, Cartridge	205018	
9	Access Valve	Access Valve	204971	

Item	Note
2 - 4	See page 33 for solenoid coils and coil kits

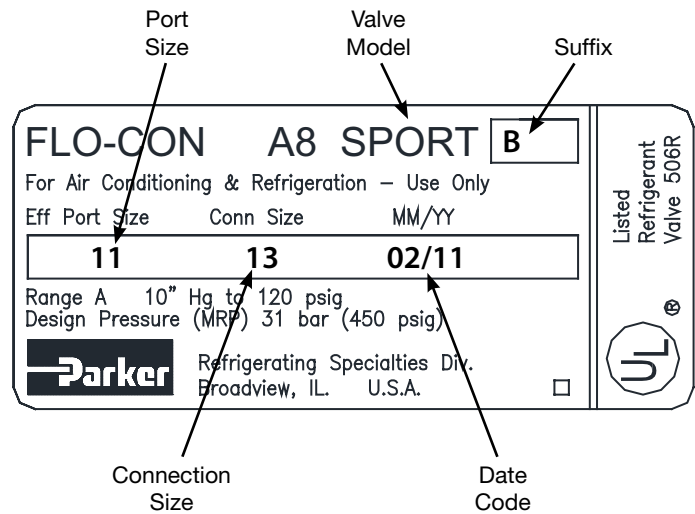
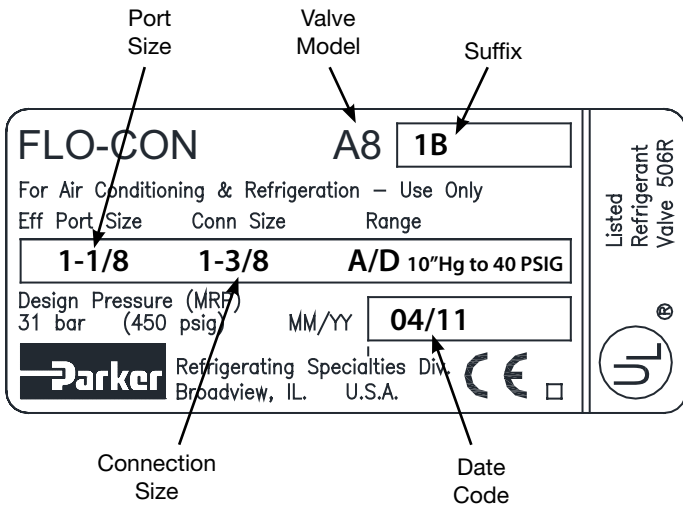
Coils



Item	Part Description	Kit Description	Kit
1(12)	Retainer, Coil (Clip)	Retainer Pkg, Coil	203360
1 2 3	Retainer, Coil (Clip) Coil with Housing Washer, Spring	A8, A9, & S8 Series Valves	
		110-120VAC ~ 50/60Hz 10.5W	202940
		220-240VAC ~ 50/60Hz 10.5W	202941
		208VAC ~ 60Hz	202942
		440-480VAC ~ 50/60Hz 10.5W	202943
		24VAC ~ 60Hz	202944
		240VAC ~ 50Hz	202945
		120/6VAC ~ 60Hz	202946
		208/6VAC ~ 60Hz	202947
		240/6VAC ~ 60Hz	202948
		Q/D 24VAC ~ 60Hz 10.5W	203733
		Q/D 240VAC ~ 50Hz 10.5W	203734
		Q/D 24VAC ~ 50Hz 10.5W	203735
Q/D 110-120VAC ~ 50/60Hz 10.5W	203736		
24V DC	204567		
1 2	Retainer, Coil (Clip) Coil with Housing	SPORT, SPORT II, & SC Series Valves	
		110-120VAC ~ 50/60Hz 10.0W	206004
		208-240VAC ~ 50/60Hz 10.0W	206005
		220VAC ~ 50Hz 10.0W	206005
		440-480VAC ~ 50/60Hz 10.0W	206006
		24VAC ~ 60Hz	206007
240VAC ~ 50Hz	206009		
3(12)	Washer, Spring	Washer Pkg, Spring	208594
4(10)	Dielectric Protective Silicon	Gasket Pkg, Coil	205933

Flo-Con Valve Identification

A8, A8 PORT, & A8 SPORT Series Valve Labels



Valve/Suffix	Valve Description
A8_	Inlet Pressure Regulator
A8_S	Inlet Pressure Regulator with Electric Shut-Off
A8_B	Inlet Pressure Regulator with Electric Bypass
A8_BS	Inlet Pressure Regulator with Electric Bypass and Shut-Off
A8_L	Differential Pressure Regulator
A8_BL	Differential Pressure Regulator with Electric Bypass
A8_OE	Outlet Pressure Regulator - Externally Equalized
A8_OES	Outlet Pressure Regulator with Electric Shut-Off - Externally Equalized

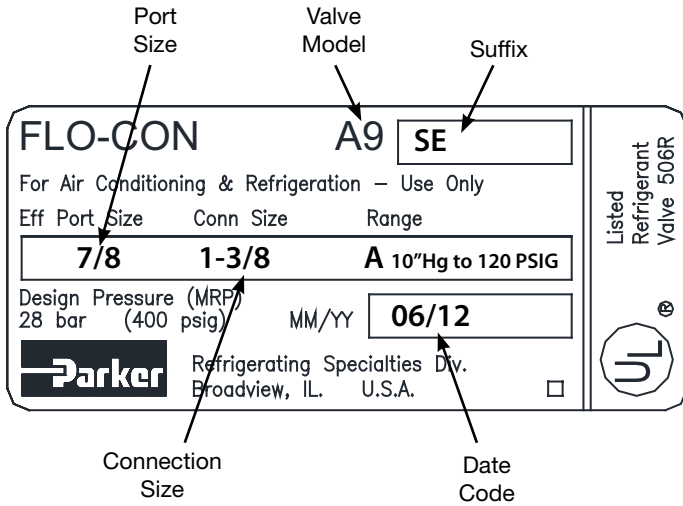
Valve/Suffix	Valve Description
A8 PORT	Evaporator Pressure Regulator
A8 PORT II	Evaporator Pressure Regulator - Aluminum Bronze Body
A8 PORT II B	Evaporator Pressure Regulator with Electric Bypass - Aluminum Bronze Body
A8 SPORT	Evaporator Pressure Regulator with Electric with Electric Shut-Off
A8 SPORT B	Evaporator Pressure Regulator with Electric with Electric Shut-Off and Bypass
A8 SPORT II	Evaporator Pressure Regulator with Electric with Electric Shut-Off - Aluminum Bronze Body
A8 SPORT II B	Evaporator Pressure Regulator with Electric with Electric Shut-Off and Bypass - Aluminum Bronze Body

A8, A8 PORT, & A8 SPORT Plug Diameter Dimension		
Plug	Port	A (inch)
	03 (3/8")	0.467"
	05 (5/8")	0.560"
	07 (7/8")	0.654"
	09 (1 1/8")	0.779"
	11 (1 3/8")	0.967"
	13 (1 5/8")	1.038"
	17 (2 1/8")	1.375"
	21 (2 5/8")	1.648"

Note: when unable to identify the port size of the valve from the label, use the table above to match the A dimension that best fits the plug diameter.

Flo-Con Valve Identification

A9 Series Valve Labels



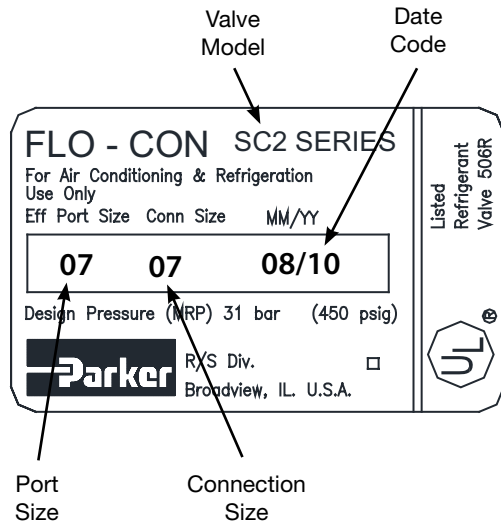
Valve/Suffix	Valve Description
A9	Hot Gas Bypass Pressure Regulator - Internally Equalized
A9E	Hot Gas Bypass Pressure Regulator - Externally Equalized
A9S	Hot Gas Bypass Pressure Regulator with Electric Shut-Off - Internally Equalized
A9SE	Hot Gas Bypass Pressure Regulator with Electric Shut-Off - Externally Equalized

A9, A9E, A9S, & A9SE Plug	
Port	Visual (Actual Size)
3/8"	
5/8"	
7/8"	
1 1/8"	

Note: when unable to identify the port size of the valve from the label, use the table above to identify the A9 plug by matching the drawing that best fits the shape of the plug.

Flo-Con Valve Identification

SC & S8 Series Valve Labels



Valve	Valve Description
SC1	Solenoid Valve
SC2	Solenoid Valve
SC II	Solenoid Valve - Aluminum Bronze Body
S81	Solenoid Valve
S82	Solenoid Valve

S8 & SC Plug Diameter Dimension		
Plug	Port	A (inch)
	03 (3/8")	0.467"
	05 (5/8")	0.560"
	07 (7/8")	0.654"
	09 (1 1/8")	0.779"
	11 (1 3/8")	0.967"
	13 (1 5/8")	1.038"
	17 (2 1/8")	1.375"
	21 (2 5/8")	1.648"

Note: when unable to identify the port size of the valve from the label, use the table above to match the A dimension that best fits the plug diameter.

Valve Bolt Torque Recommendations

A8_, A8 PORT, & A8 SPORT Regulators			
Valve Type	Bolt Size	Item Description	Torque (ft. lb.)
All	$\frac{5}{16}$ " - 24	Mod Plug/Piston Connection	8 - 10 -1/4" Turn
All	1/4" S.A.E.	Gage and "L" Bonnet Fittings	10 - 11
All	-	Manual Opening Seal Cap	Snug
"OE"	-	Pilot Seat	10
"L"	-	Bonnet Seal Cap	Hand Tight
A8A_, A81_, A8 SPORT Port Sizes $\leq 1\frac{3}{8}$ " (11)	1/4" - 20	Bonnet Screws	10
A82_, A8 SPORT Port Sizes $\geq 1\frac{5}{8}$ " (13)	1/4" - 20	Bonnet Screws	9
A82_, A8 SPORT Port Sizes $\geq 1\frac{5}{8}$ " (13)	$\frac{5}{16}$ " - 18	Adapter Screws	26

A9 Regulators			
Valve Type	Bolt Size	Item Description	Torque (ft. lb.)
All	-	Pilot Seat	10
All	1/4" - 28	Bonnet Screws	6
All	-	Bottom Cap	100

SC1, SC2, S81, & S82 Solenoids			
Valve Type	Bolt Size	Item Description	Torque (ft. lb.)
All	$\frac{5}{16}$ " - 24	Mod Plug/Piston Connection	8 - 10 -1/4" Turn
All	1/4" S.A.E.	Gage Connector	10 - 11
All	-	Manual Opening Seal Cap	Snug
SC1, S81	1/4" - 20	Adapter Screws	10
SC2, S82	$\frac{5}{16}$ " - 18	Adapter Screws	26

Notes

Notes

