

May 2018

## SpeediChannel™

### Product

SpeediChannel™

### Application

Air conditioning line sets

### Purpose

DiversiTech SpeediChannel™ is a system used to cover line sets, drain lines, and control cables when they can not be installed inside a wall.

### Composition

U.V. inhibited virgin resin

### Advantages

SpeediChannel™ is the perfect universal installation system - combining high quality resins in a paintable natural color easily adapted to any colored mounting, and SpeediClip™, a unique sliding rail system that makes line set installation a one man job. DiversiTech SpeediChannel™ is easier to inventory, transport and install than competing brands, and the flat pack design reduces warehouse storage and contractor transport space. Tight fit corner design & installation accessories deliver the contractor a clean install every time.

### Colorfast Stability

The stability of the color of the Product is such that after 5 years external exposure in the climate zone defined within following paragraph, the contrast on the Grey scale according to ISO EN 105 A02 of the finished goods made from the Product will not be below level 3, when compared to an unexposed control sample of the same grade. This statement is limited to the climate zones where the annual global irradiation is less than 100,000 Langley's : North American climate.

### Painting Specifications

DiversiTech recommends any 100% acrylic latex or 100% acrylic latex with a urethane additive when painting SpeediChannel products. The reason for this recommendation is because of the paint's flexibility. Lacquers are not recommended with PVC products because lacquers are more brittle and won't flex with the channel. Some suggestions: Duration by Sherwin Williams, Manor Hall paints by PPG and Moorelife by Benjamin Moore. In addition to paint type, only light-to-medium colored paints (Light Reflectance Value of 55% units or greater) should be applied to SpeediChannel or most any exterior PVC products. Light Reflectance Value (LRV) is a measurement that indicates how much light a color reflects. An LRV of 0% is absolute black and an LRV of 100% is perfectly reflective white. LRV is on the back of most color swatches and in the index of all major brands' fan decks. It is not safe to assume the paint is a light color. Some paints that appear light beige can have an LRV in the 20s or 30s.

### Hardware

Stainless steel

### Unique Pieces

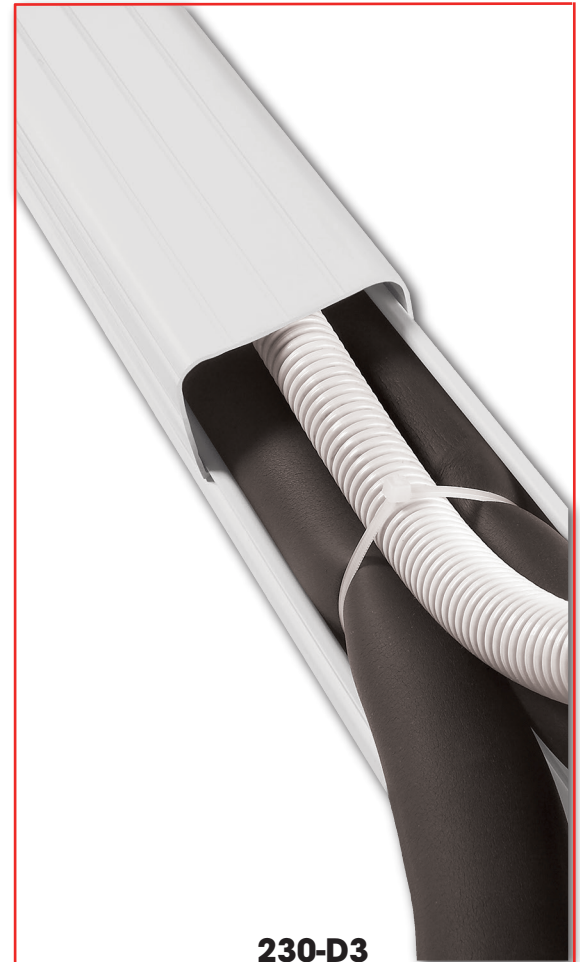
- Flex hose kit
- Flat wall escutcheon
- Integrated flex joint
- Long radius 90o flat elbow

### Sleeve Style

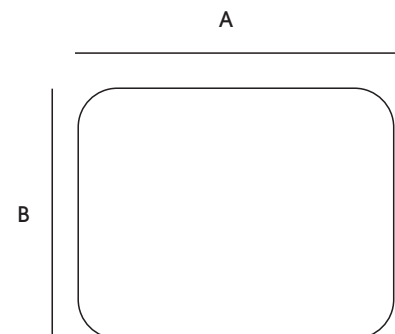
Single piece

### Certification

UL recognized in the US and Canada



**230-D3**



## Package Metrics

Producer of Goods      Domestic/Foreign Commodity  
 DiversiTech              Foreign

Item Number	Channel Dimension		Overall Length
	A	B	C
230-D3	2.75 in	2.55 in	78.74 in
230-D4	4.13 in	2.95 in	78.74 in
230-D6	5.90 in	3.14 in	78.74 in

## Specifications

### SpeediChannel™ - 6-1/2' Long Channel

- Available in 3 widths
- Includes pack of SpeediClips™

Size	Natural	Brown	White	A	B
3"	230-D3	230-D3B	230-B3W	2.75 in	2.55 in
4"	230-D4	230-D4B	230-D4W	4.13 in	2.95 in
6"	230-D6		230-D6W	5.90 in	3.14 in

### Wall Penetration

- U.V. resistant
- Packed each separately in plastic film

Size	Natural	Brown	White	A	B	C
3"	230-WC3	230-WC3B	230-WC3W	4.33 in	7.08 in	2.77 in
4"	230-WC4	230-WC4B	230-WC4W	5.70 in	7.48 in	4.14 in
6"	230-WC6		230-WC6W	6.29 in	7.87 in	5.92 in

### Wall Sleeve

Size	A	B	C
2-1/2" 230-WS2			

### Union Coupling

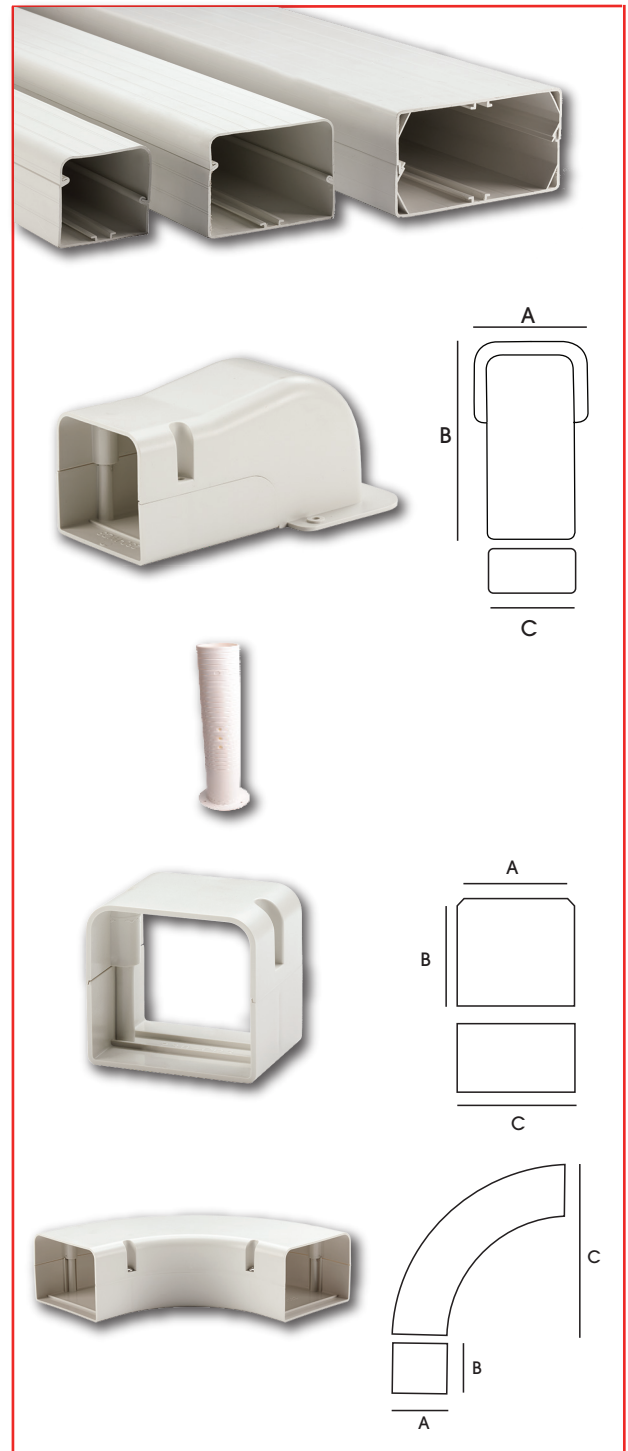
- U.V. resistant
- Packed each separately in plastic film

Size	Natural	Brown	White	A	B	C
3"	230-CP3	230-CP3B	230-CP3W	2.96 in	2.77 in	2.77 in
4"	230-CP4	230-CP4B	230-CP4W	4.34 in	3.16 in	4.14 in
6"	230-CP6		230-CP6W	6.11 in	3.36 in	5.92 in

### 90° Long Radius Bend

- U.V. resistant
- Packed each separately in plastic film

Size	Natural	Brown	White	A	B	C
3"	230-LFB3	230-LFB3B	230-LFB3W	2.96 in	2.77 in	9.84 in
4"	230-LFB4	230-LFB4B	230-LFB4W	4.34 in	3.16 in	9.84 in
6"	230-LFB6		230-LFB6W	6.11 in	3.36 in	9.84 in



## 90° Flat Bend

- U.V. resistant
- Packed each separately in plastic film

Size	Natural	Brown	White	A	B	C
3"	230-FB3	230-FB3B	230-FB3W	4.33 in	4.52 in	2.77 in
4"	230-FB4	230-FB4B	230-FB4W	5.90 in	5.90 in	4.14 in
6"	230-FB6		230-FB6W	6.69 in	6.69 in	5.92 in

## 90° Inside Elbow

- U.V. resistant
- Packed each separately in plastic film
- To place around the internal corner

Size	Natural	Brown	White	A	B	C
3"	230-EB3	230-EB3B	230-EB3W	3.74 in	3.74 in	2.70 in
4"	230-EB4	230-EB4B	230-EB4W	4.33 in	4.33 in	4.14 in
6"	230-EB6		230-EB6W	6.10 in	6.10 in	5.92 in

## 90° Outside Elbow

- U.V. resistant
- Packed each separately in plastic film
- To place around the outside corner

Size	Natural	Brown	White	A	B	C
3"	230-EIN3	230-EIN3B	230-EIN3W	3.74 in	3.74 in	2.77 in
4"	230-EIN4	230-EIN4B	230-EIN4W	4.33 in	4.33 in	4.14 in
6"	230-EIN6		230-EIN6W	6.10 in	6.10 in	5.92 in

## 45° Flat Bend

- U.V. resistant
- Packed each separately in plastic film
- To place around an obstacle

Size	Natural	Brown	White	A	B	C
3"	230-FB453	230-FB453B	230-FB453W	3.64 in	5.72 in	2.77 in
4"	230-FB454	230-FB454B	230-FB454W	3.64 in	6.70 in	4.14 in
6"	230-FB456		230-FB456W	3.64 in	7.49 in	5.92 in

## T-Joint

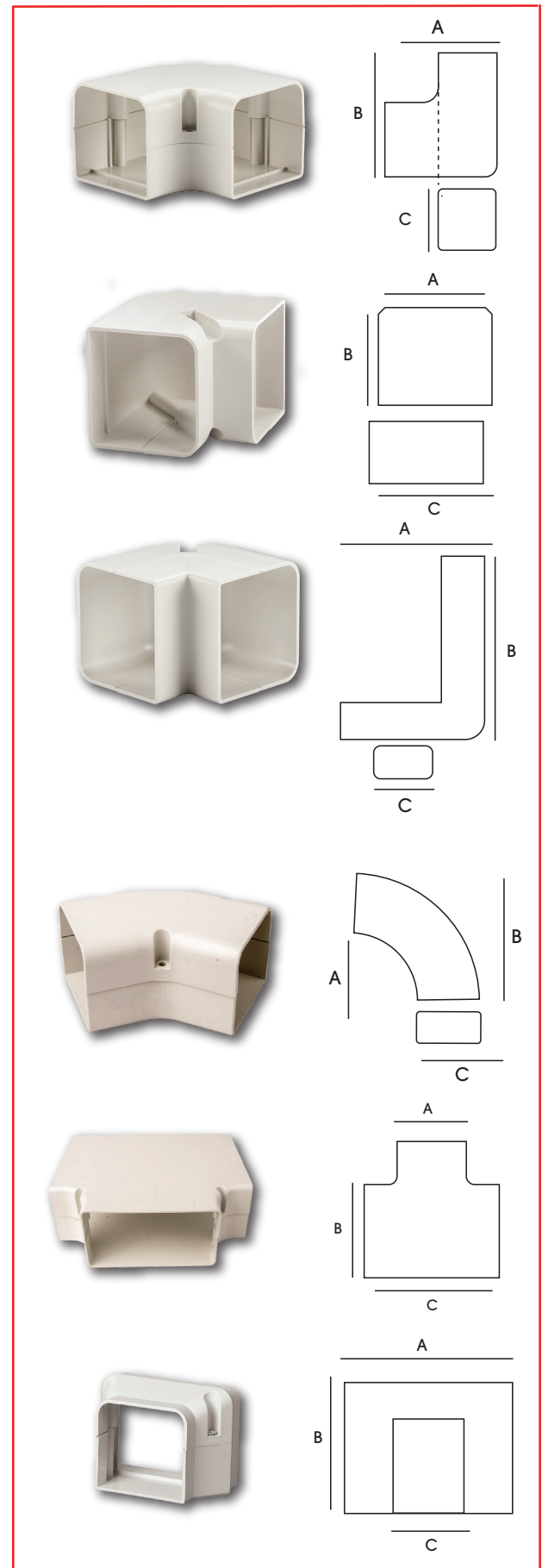
- U.V. resistant
- Packed each separately in plastic film
- To create a tee connection between three pieces of SpeediChannel™

Size	Natural	Brown	White	A	B	C
4"	230-TJ4	230-TJ4B	230-TJ4W	4.14 in	4.14 in	7.87 in
6"	230-TJ6		230-TJ6W	5.92 in	5.92 in	9.84 in

## Reducer Coupling

- U.V. resistant
- Packed each separately in plastic film
- To join two pieces of SpeediChannel™

Size	Natural	Brown	White	A	B	C
3" x 4"	230-TC34		230-TC34W	4.14 in	3.16 in	2.77 in
4" x 6"	230-TC46		230-TC46W	5.92 in	6.11 in	4.14 in



## Flex Joint

- U.V. resistant
- Packed each separately in plastic film

Size	Natural	Brown	White	A	B	C
3"	230-FJ3			19.68 in	2.55 in	2.55 in
4"	230-FJ4			19.68 in	3.93 in	3.93 in

## Duct End

- U.V. resistant
- Packed each separately in plastic film
- To terminate a run of SpeediChannel™ to a small opening

Size	Natural	Brown	White	A	B	C
3"	230-DE3	230-DE3B	230-DE3W	4.72 in	2.77 in	1.77 in
4"	230-DE4	230-DE4B	230-DE4W	4.72 in	4.14 in	1.96 in
6"	230-DE6		230-DE6W	4.72 in	5.92 in	2.36 in

## Cap

- U.V. resistant
- Packed each separately in plastic film
- To cap the end of the SpeediChannel™

Size	Natural	Brown	White	A	B	C
3"	230-DC3		230-DC3W	2.75 in	2.55 in	
4"	230-DC4		230-DC4W	4.13 in	2.95 in	
6"	230-DC6		230-DC6W	5.90 in	3.14 in	

## Flat Wall Escutcheon

- U.V. resistant
- Packed each separately in plastic film
- To cover a rough opening in a soffit, wall, or ceiling penetration

Size	Natural	Brown	White	A	B	C
3"	230-FR3		230-FR3W	6.11 in	3.54 in	2.77 in
4"	230-FR4		230-FR4W	5.92 in	3.93 in	4.14 in
6"	230-FR6		230-FR6W	7.48 in	4.33 in	5.92 in

## Wall Escutcheon

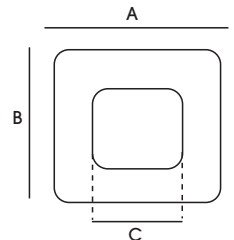
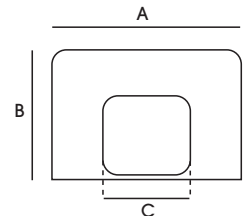
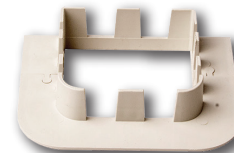
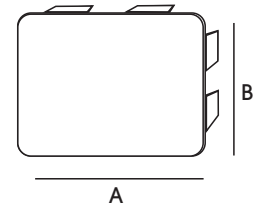
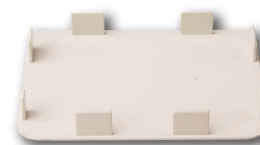
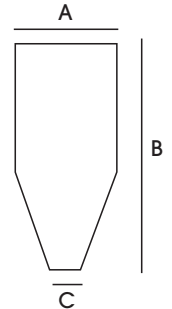
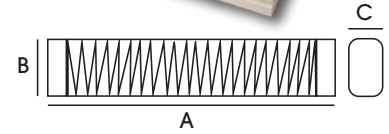
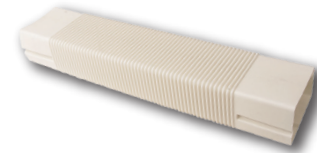
- U.V. resistant
- Packed each separately in plastic film
- To cover a rough opening in a wall or ceiling penetration

Size	Natural	Brown	White	A	B	C
3"	230-WR3		230-WR3W	4.54 in	4.34 in	2.77 in
4"	230-WR4		230-WR4W	5.92 in	4.74 in	4.14 in
6"	230-WR6		230-WR6W	7.49 in	6.51 in	5.92 in

## Soffit Fittings

- U.V. resistant
- Packed each separately in plastic film
- Ideal for outdoor applications

Size	Natural	Brown	White	A	B	C
3"	230-SF3		230-SF3W			
4"	230-SF4		230-SF4W			



## Adjustable Flat Bend

- U.V. resistant
- Packed each separately in plastic film
- Flex from 45 to 90 degrees

Size	Natural	Brown	White	A	B	C
3"	230-AFB3		230-AFB3W			
4"	230-AFB4		230-AFB4W			

## Flex Hose Connection Kit

- U.V. resistant
- Packed each separately in plastic film

Size	Natural	Brown	White	A	B	C
3"	230-FH3-KIT		230-FH3W-KIT	39 in	3 in	
4"	230-FH4-KIT		230-FH4W-KIT	39 in	4 in	

