

**TO THE INSTALLER:**

Please attach these instructions next to the water heater.

**TO THE CONSUMER:**

Read these and all component instructions. Please keep for future reference. Please remember to return the registration card.

Waranty, registration card & parts list included.



**INSTALLATION, OPERATION & MAINTENANCE INSTRUCTIONS**

## **BOCK RESIDENTIAL OIL-FIRED WATER HEATERS**

**Model numbers: 32E, 32PPC, 33E, 50ES, 51EC, 51PPC, 120E**

**WARNING:**

Improper installation, adjustment, alteration, service or maintenance can cause serious injury or property damage. Refer to this manual. For assistance or additional information, consult a qualified installer or service agency.

**WARNING:**

If the information in these instructions is not followed exactly, fire or explosion may result and can cause property damage, personal injury or death.

**WARNING:**

Follow minimum combustible clearance as noted on water heater label. Do not install on combustible flooring (see Figure 2, Page 3). Install in accordance with all local codes. In the absence of local codes, refer to NFPA 31.

**CAUTION:**

The recommended temperature for normal residential use is 120°F. The dial on the aquastat does not always reflect the outcoming water temperature, which could occasionally exceed 120°F. The variation in outcoming temperature could be based on factors including but not limited to usage patterns and type of installation. Test your water at the tap nearest to the water heater. (See page 5 for measuring the outcoming water temperature).

**WARNING:**

Hotter water increases the risk of scald injury. Before changing the temperature setting, read the instruction manual. Temperatures at which injury occurs vary with the individual's age and length of exposure.

The slower reaction times of children, elderly and physically or mentally impaired persons increases the scalding hazard to them. It is recommended lower water temperatures be used where these situations exist.

Households with small children or invalids may require a temperature setting less than 120°F to prevent accidental contact with hot water.

**To lower water temperature use point-of-use temperature limiting devices.**

**WARNING:**

Flammable vapors may be drawn to this water heater from other areas of the structure by air currents.

***Do not store or use any flammable liquids in the vicinity of this heater.***

**WARNING:**

Water heater blankets may not be used on the heater and may cause fire, asphyxiation, personal injury or death.

**Bock Water Heaters, Inc.**

110 South Dickinson Street • Madison, WI 53703

Phone: 608/257-2225 • Fax: 608/257-5304 • [www.bockwaterheaters.com](http://www.bockwaterheaters.com)

## CONSUMER RESPONSIBILITIES

FAILURE TO FOLLOW THESE INSTRUCTIONS OR ALL APPLICABLE BUILDING CODES AND REGULATIONS VOIDS THE WARRANTY ON THIS WATER HEATER.

## MULTIPLE BURNER INSTALLATION

## SELECT THE RIGHT LOCATION

THIS MANUAL HAS BEEN PREPARED TO ACQUAINT YOU WITH THE INSTALLATION, OPERATION, AND MAINTENANCE OF YOUR WATER HEATER AND TO PROVIDE IMPORTANT SAFETY INFORMATION.

Read all instructions thoroughly before attempting installation or operation of the water heater. Keep these and all component instructions for future reference.

The manufacturer of this water heater will not be liable for any damages caused by failure to comply with the installation and operating instructions outlined on the following pages. These instructions are a guide for the correct installation of the water heater.

If the installer lacks the necessary skills or has difficulty following the directions, do not proceed but get help from a qualified person for that part of the installation that is not understood.

Local plumbing and electrical codes must be followed in the installation of this water heater. In the absence of a local code use the UNIFORM PLUMBING CODE and the NFPA Code. Local codes may supersede instructions in this installation manual.

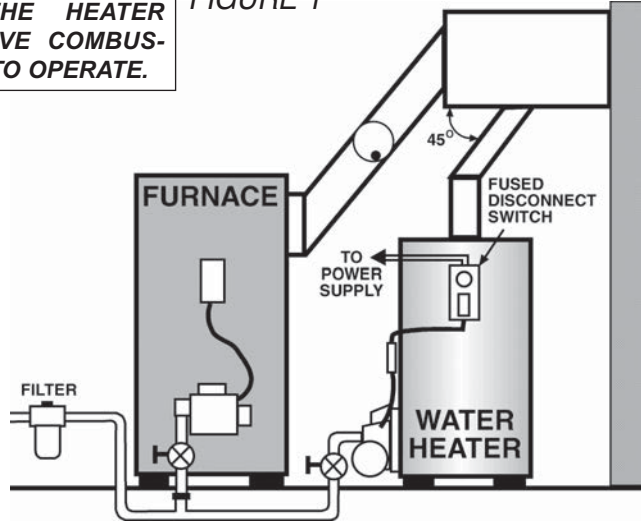
When two or more burners are used, each unit should have a separate supply line to the fuel pump to prevent nuisance lockouts caused by one or both pumps starving for oil. If this is not possible, the use of a priority control is recommended.

Check new equipment to see if all components are in good condition. The water heater and oil burner may be shipped as separate units. The aquastat and immersion well may be packed with the oil burner.

The new water heater requires fuel, electricity and should be close to the chimney and water supply. Locate the heater near a floor drain if possible for easy maintenance and protection if trouble should occur. Allow ample space around the heater for servicing (see combustible clearance warning, page 1). Adequate air for combustion must be available. NOTE: Locate the heater so it is not subject to physical damage by moving vehicles or possible flooding.

Check for exhaust fans in the heater room or adjacent areas which draw combustion air away from heater. **THE HEATER MUST HAVE COMBUSTION AIR TO OPERATE.**

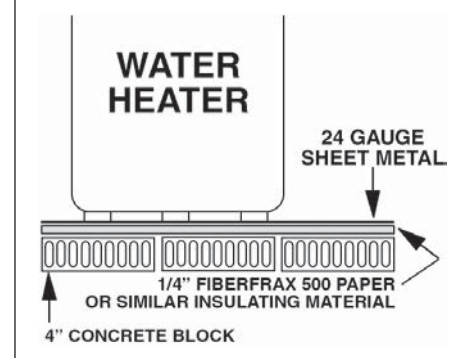
FIGURE 1



**DO NOT INSTALL THE WATER HEATER ON COMBUSTIBLE FLOORING (see Figure 2). Refer to NFPA 31 or contact Bock Water Heaters with questions concerning proper flooring materials.**

**Minimum clearance to combustible construction is: SIDES 6"; BACK 6"; FRONT 24". The installation of this water heater must conform with local codes and ordinances. In the absence of local codes, the installation must comply with the National Fire Protection Association (NFPA 31) Code.**

FIGURE 2



## CONNECT WATER PIPING

Connect the water piping, being careful not to apply heat to the heater nipples. Install dielectric unions and shut off valves on both hot and cold water lines.



NOTE: INDEX LINE ON INLET NIPPLE MUST BE ALIGNED WITH ARROW ON DECAL. HOLD INLET NIPPLE WHEN TIGHTENING FITTINGS. ROTATING NIPPLE COULD DRASTICALLY REDUCE PERFORMANCE.

Model 33E is equipped with an inlet flow diverter installed in the tank. This model contains decal next to the inlet (shown to the left). The purpose of this diverter is to help keep the tank bottom free of sediment by aiding tank flushing. The index line on the diverter nipple must be aligned with the arrow on the decal (left) to function properly. Do not allow the diverter to rotate out of position when tightening the inlet fittings.

**CAUTION!! Scalding injury and/or water damage can occur from either the manual lifting of the lever or the normal operation of the T&P valve if it is not piped to a proper drain. If the valve fails to flow water or reseal, call a plumber.**

Inspect the incoming water line for check valves or water pressure reducing valves. Any type of check valve may cause pressure to build up in the heater and cause tank failure. If the heater is installed in a closed system or if backflow preventers and pressure regulators are installed, add an expansion tank. Do not try to heat hard water. Install a water softener if the heater is being used in a hard water area (water hardness more than 7 grains).

An approved temperature and pressure (T&P) relief valve is factory installed in the opening provided in the upper right hand side of the heater. Pipe the T&P to within 6" of the floor or to a floor drain with a free flowing drain pipe.

Install a vent connector between the chimney and the water heater. The size of the vent connector shall be acceptable based on the rise in height of the connector and the water heater input.

If it is necessary to connect to an existing vent connector, be sure the connector utilized is large enough to accommodate the products of combustion of all units attached to it. When utilizing another connector, run in at 45° angle (see Figure 1). Install a draft regulator control only if necessary. Overfire draft should not be positive. Breech draft should be -.03" W.C. minimum to -.05" W.C. maximum; CO<sub>2</sub> should be a minimum of 11% with zero smoke on the Bacharach scale.

The oil burner is equipped with a primary relay. An aquastat with immersion well is packed with the burner. The thermostat is factory set at 120°F for residential use (see caution on page 1 regarding temperature variations). Install the immersion well with the aquastat and check the bulb length (see "Burner & Controls" section, page 10).

Remove the cardboard core from the burner opening. Mount the burner on stud bolts and place the gasket (supplied) between the burner flange and the heater. Secure the burner to the heater with 1/4 -20 nuts (supplied). Open the inspection door on the heater and check the burner tube with a mirror before firing to be sure the opening is not blocked (see Maintenance and Service sections on page 5 for troubleshooting).

## CONNECT TO CHIMNEY

## MOUNT THE OIL BURNER

**CONNECT THE ELECTRICITY**

All wiring must comply with applicable codes and ordinances. The primary relay is wired to the burner at the factory. Install the aquastat well in the 3/4" tapping at the front of the heater. Be sure the sensing bulb is inserted all the way into the well. For Honeywell aquastats, tighten the screw on top of the aquastat to secure the control to the well. For Carlin EZ-Temp aquastats, refer to the pre-packaged installation guide for proper set-up procedure. Refer to drawings for correct models. Connect the power supply to the aquastat and run through a fused disconnect switch (attached to heater in field). See Figure 1.

**CONNECT THE OIL LINE**

Use #1 or #2 fuel oil. For biofuel blends B6-B100, the burner must be manufactured by Carlin Combustion and be labeled "For use with oil not heavier than No. 2, bio blends B6-B100 (U.S. only)." **A properly sized and rated oil filter shall be installed in the oil supply line (NFPA 31, 4.5.4).**

**WARNING!! WHEN YOU INSTALL THE BYPASS PLUG YOU MUST RUN A TWO-LINE SYSTEM.**

**Gravity System:** The oil burner is normally equipped with a single-stage pump equipped for one line (gravity) flow. Use minimum 3/8" O.D. soft copper tubing and **attach with flared fittings. DO NOT USE COMPRESSION FITTINGS.** Install the shut off valve and oil filter in the oil line. Follow the pump manufacturer's instructions (attached to the pump).

**Lift System:** The burner should be ordered with a 2-stage pump. Run a 2-line system (suction and return lines). Install the bypass plug according to the instructions attached to pump (plug is in a bag with an instruction sheet).

For any horizontal run exceeding the maximum length specified in Figure 3, or any lift of more than 10 feet, a booster pump must be used. Booster pumps must be installed as close to the oil supply tank as possible. Suction and return lines should be the same diameter and both go within 6" of the bottom of the tank. The return line should stop slightly above the suction line. Use a minimum of fittings. Make bends in the tubing with as large a radius as possible. **DO NOT USE COMPRESSION FITTINGS.** Caution must be used in the final connection to the burner so as not to strain the fuel unit. Before attaching the tubing to the burner, form a coil in the tubing to minimize any vibration. State and local codes must be followed.

*FIGURE 3: MAXIMUM LIFT & HORIZONTAL RUN*

1-Pipe System	Single Stage Pump 3/8" O.D.	Horizontal Run 1/2" O.D.	2-Pipe System	Two-Stage Pump 3/8" O.D.	Horizontal Run 1/2" O.D.
Lift	Tube	Tube	Lift	Tube	Tube
0'	65'	100'	0'	75'	100'
4'	45'	100'	4'	64'	100'
7'	31'	100'	7'	55'	100'
8'	16'	64'	10'	47'	100'

Your log (or one similar to this) must be filled out as follows:

Date	Time	Test person's name	Set temp. °F	Outlet temp. °F

**PLACE THE WATER SYSTEM IN OPERATION**

1. Fill the tank with water, opening a hot water faucet to allow trapped air to escape from the heater. Open the cold water inlet valve. Shut off each faucet as it delivers water that is free of air. Inspect for leaks. Never operate an empty or partially full heater.

**Warning: Handhole cover may loosen during shipping – check for tightness before putting heater in operation.**

## **MEASURING THE OUTCOMING WATER TEMPERATURE**

2. To place burner in operation, follow the instructions provided with the burner.
3. Set the pump pressure to the value listed in Table 1 based on the burner make/model and nozzle specified.
4. Adjust the burner combustion air in accordance with the burner manufacturer's instructions. Using combustion instruments, check the CO<sub>2</sub> and smoke. The CO<sub>2</sub> should be at least 11% minimum with zero smoke on the Bacharach scale.
5. While the burner is operating, disconnect one of the yellow cad cell wires. Check to see that the burner control locks out in the time specified on the control. Reattach the wire and reset the control. The burner should restart. Note: You may have to wait a minute before resetting the control.
6. The thermostat is factory set at 120°F for residential use. (See caution on page 1 regarding temperature variations. It is the responsibility of the homeowner and installer to verify that the installer follows the recommended quantitative testing for measuring the outgoing water temperature. To make sure that the system works properly after installation and in the future, it is recommended that the heater's performance be measured and monitored. Run water out of the tap nearest the heater until it comes out warm. Using a calibrated thermometer, take a measurement. If the water is not at a suitable temperature for the installation, have a qualified service person adjust the aquastat. Contact Bock for further information on the thermometer if needed.

**WARNING: Hydrogen gas can be produced in a hot water system served by a heater that has not been used for a long period of time (generally two weeks or more.) Hydrogen gas is extremely flammable. To reduce the risk of injury, open the hot water faucet at the highest location in the house for several minutes before using any electrical appliance connected to the hot water system. If hydrogen is present, there may be an unusual sound such as air escaping through the pipe as the water begins to flow. Do not smoke or allow an open flame near the faucet at the time it is open.**

---

## **MAINTENANCE**

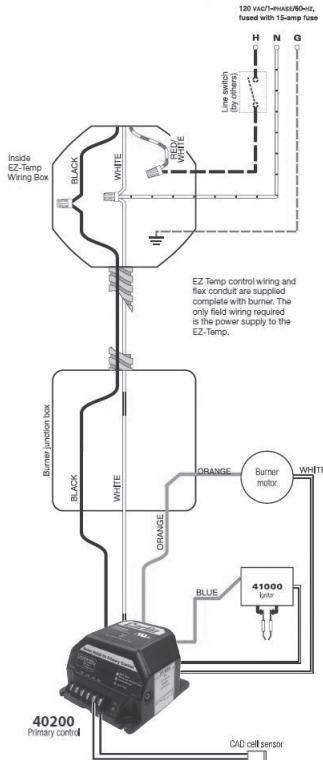
1. Follow the burner manufacturer's instructions for proper maintenance of the oil burner.
2. EVERY SIX to 12 MONTHS. Drain water from the heater tank and inspect for sediment or lime accumulation. Flush out if necessary. If lime has accumulated, remove with a commercial compound for dissolving lime or by scraping through the hand hole opening (if supplied). Check water softening equipment if lime is found in the tank. **DO NOT ATTEMPT TO HEAT HARD WATER.** (See maintenance label on heater.)
3. **Change the magnesium anode rods every six to 12 months or when they are reduced to 3/8" diameter** (see maintenance label on heater).
4. Open the relief valve test lever to flush out the tank. Make sure it reseats itself.
5. If the heater is to be shut off in cold weather, drain the tank to prevent freezing.

## **SERVICE**

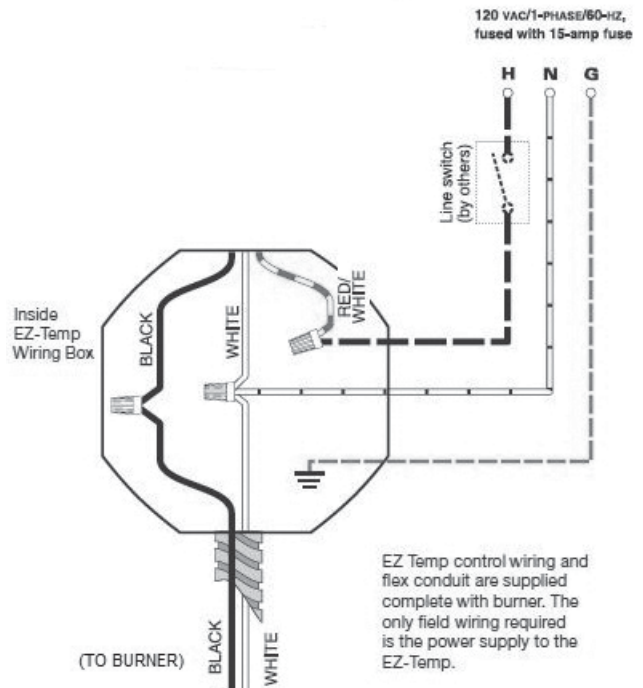
1. Check the fuel supply, electrical wiring and fuses, and make sure temperature control is calling for heat.
2. If the burner fails to operate, call a qualified local service provider.

# WIRING

**FIGURE 4: Carlin burner w/ Carlin EZ-Temp**  
**For Models: 32, 33, 50, 51, 120**  
**(Carlin burner with 40200 primary control)**

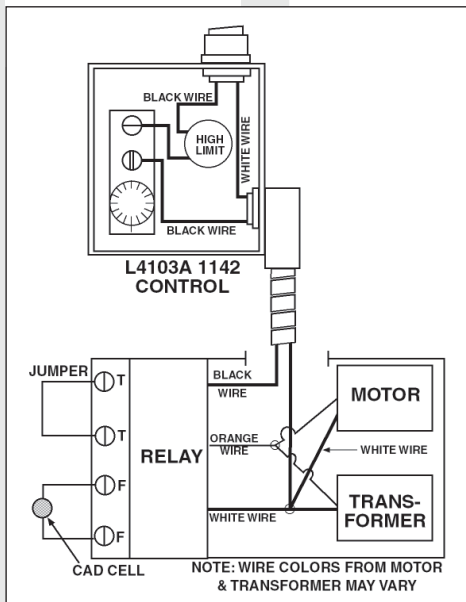


**FIGURE 5: Beckett or Wayne burner w/ Carlin EZ-Temp**  
**For Models: 32, 33, 50, 51, 120**

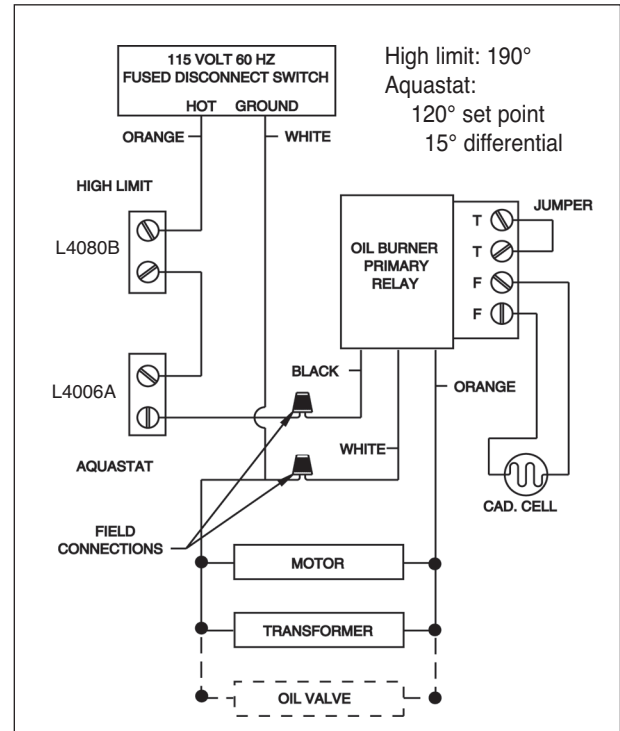


**FIGURE 6: Honeywell L4103A-1142**  
**For Models: 32, 33, 51**

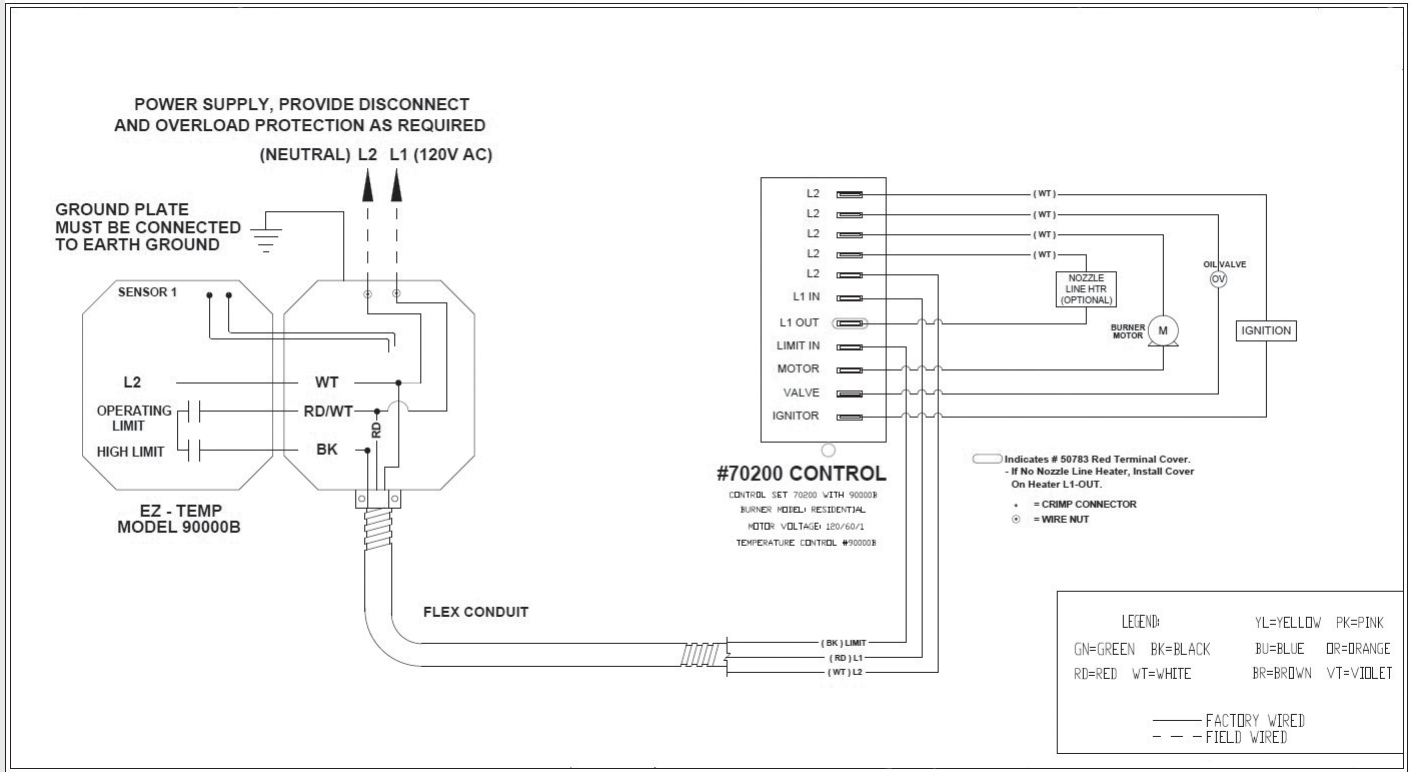
**FIGURE 6 NOTES:**  
 Set point 120°



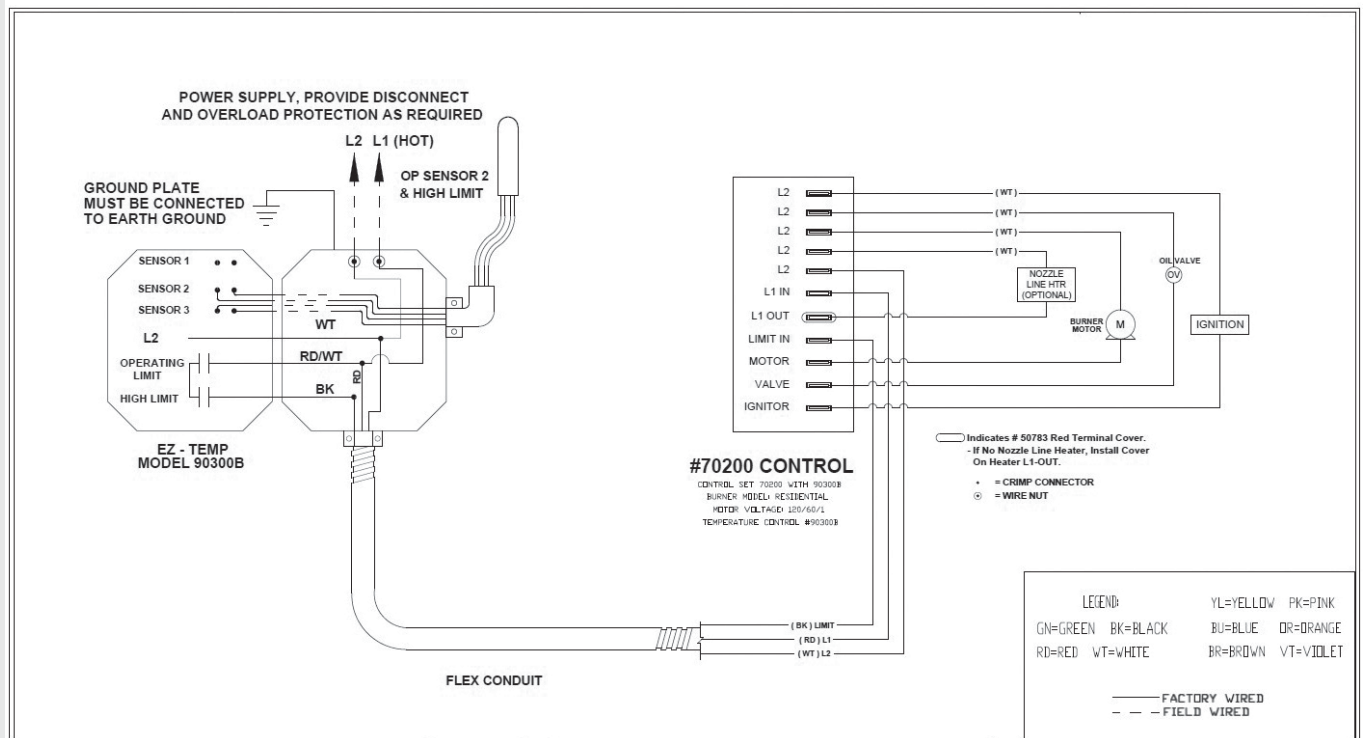
**FIGURE 7: Honeywell L4006A w/ L4080B L4080B**  
**For Models: 50, 120E**



**FIGURE 8: Carlin burner with Carlin 90000B EZ-Temp**  
**For Models: 32, 33, 50, 51**  
**(Carlin burner with 70200 primary control)**



**FIGURE 9: Carlin burner with Carlin 90300B EZ-Temp**  
**For Models: 50, 120**  
**(Carlin burner with 70200 primary control)**



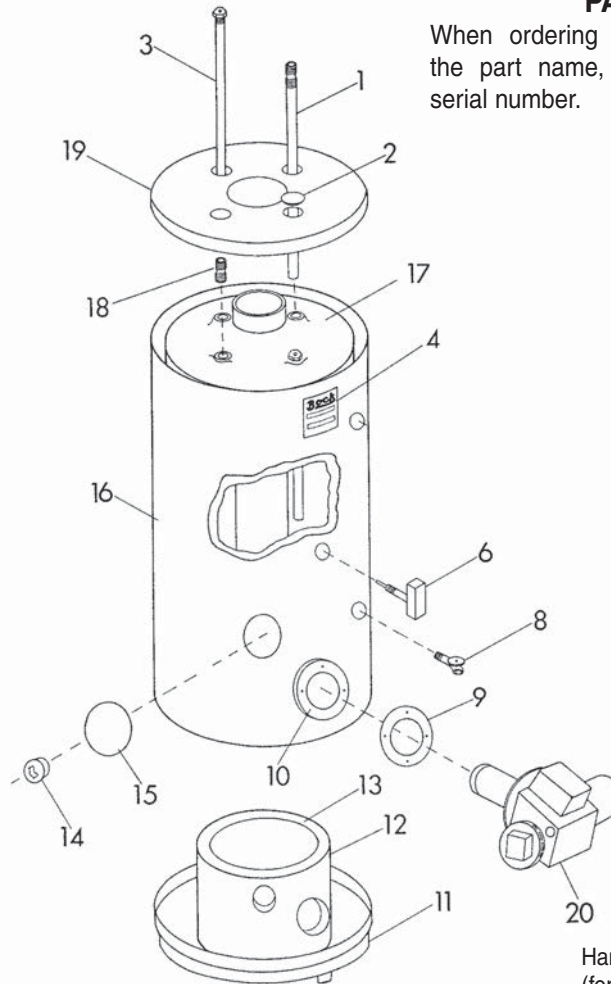
## OIL FIRED WATER HEATER

## BOCK TANK ASSEMBLY PARTS LIST

### ITEM DESCRIPTION

1. Cold Water Inlet Dip Tube (N/A 33E)
2. Plastic Cap
3. Magnesium Anode Rod (aluminum available)
4. Name Plate/Rating Label
6. Immersion Well & Aquastat
8. Drain Valve
9. Mounting Bracket Gasket
10. Burner Mounting Bracket (part of jacket assembly on Models 32E through 51 Series; sold separately on 120E)
11. Bottom Pan
12. Combustion Chamber Sleeve
13. Combustion Chamber
14. Inspection Block
15. Inspection Door
16. Heater Jacket
17. Tank
18. Hot Out Nipple  
51 Series: 1"  
All others: 3/4"  
50ES: N/A
19. Top Pan
20. Burner

When ordering repair parts, always give the part name, model number, size and serial number.



Handhole cover plate and gasket (for 50ES only) not shown.



---

## **LIMITED WARRANTY FOR OIL-FIRED WATER HEATER**

Bock Water Heaters, Inc.

110 S. Dickinson Street

Madison, WI 53703

Phone: 608-257-2225

### **WHAT DOES THIS LIMITED WARRANTY COVER?**

This limited warranty applies only to the original consumer purchaser.

**General Defects and Malfunctions:** This warranty covers defections and malfunctions in your new water heater for a period of one year from the original installation date. We will repair or replace, at our option, any defective or malfunctioning component of the water heater. This limited warranty will terminate if you sell or otherwise transfer the water heater, or the water heater is installed at a location different from its original installation location.

**Tank and Heat Exchanger:** We also warrant that the tank and heat exchanger will not leak due to defective materials or workmanship for five years from the date of original installation or from date of manufacture in the event the Limited Warranty Registration Card was not completed and returned to manufacturer. If the tank and heat exchanger is leaking and we have verified that the leak is due to a defect in materials and workmanship, we will replace the tank with a tank that is the nearest Bock model available at the time of replacement. If a replacement tank is provided, it will remain warranted under this section as if it were the original tank. For example, if we send you a replacement tank under this limited warranty two years after the original installation date, then the replacement tank will remain warranted for the remaining three years after the original installation date.

### **HOW DO YOU GET SERVICE UNDER THE LIMITED WARRANTY?**

In order for the warranty period to begin on the date of installation, you must return the warranty registration card attached below within 30 days of purchasing the water heater. You may also register your water heater online at [www.bockwaterheaters.com](http://www.bockwaterheaters.com). You must have a copy of the original sales receipt at the time you request service. Failure to return the warranty registration card and provide a copy of the sales receipt will result in the warranty period beginning from the date of manufacture.

To get service under this limited warranty you should contact either the dealer or installer. If dealer or installer is unknown you can contact us via e-mail at [warranty@bockwaterheaters.com](mailto:warranty@bockwaterheaters.com) or call us Monday through Friday between the hours of 8 o'clock a.m. to 5 o'clock p.m. Central Time at the following number: 1-608-257-2225.

You can also write us at the following address:

Bock Water Heaters, Inc.  
Warranty Support Group  
110 S. Dickinson Street  
Madison, WI 53703

We will respond not later than ten days after we have received your request for service.

## **WHAT DOES THIS LIMITED WARRANTY NOT COVER?**

This limited warranty does not cover water heaters that are or were:

- Incorrectly installed, especially where the installation violates state or local plumbing, housing or building codes.
- Operated at inappropriate settings, excessive pressures or temperatures.
- Exposed to adverse local conditions and specifically sediment or lime precipitation in the tank or corrosive elements in the atmosphere or unacceptable water quality.
- Installed outside the United States or Canada.
- Accidentally damaged.

Also, we will not cover the following charges, costs and losses:

- Any freight or delivery charges.
- Any removal or installation charges.
- Charges to return the water heater or part to the manufacturer.
- Water damage, loss or damage to property, inconvenience or loss of use.

## **WHAT WILL VOID THE LIMITED WARRANTY?**

If you do any of the following, you will void this limited warranty:

- Fail to retain an original copy of your sales receipt.
- Fail to retain the actual rating plate from the water heater.
- Alter or remove the serial number.
- Transfer or sell the water heater.
- Remove the water heater from its original location and install it somewhere else.
- Fail to follow the care and maintenance instructions provided with the water heater.
- Remove the anode rods.
- Fail to inspect and replace the anode rods (you must retain and present your paid receipts as proof of anode rod replacement).
- The use of any burner and/or controls other than the ones specified for the water heater by Bock Water Heaters Inc.

## **HOW DOES STATE LAW RELATE TO THIS LIMITED WARRANTY?**

This is a limited warranty. WE MAKE NO OTHER EXPRESS WARRANTIES WITH RESPECT TO THIS WATER HEATER. We will not assume, nor authorize any person to assume for us any other liability in connection with the sale or operation of this water heater. ANY IMPLIED WARRANTIES, INCLUDING MERCHANTABILITY OR FITNESS FOR A PARTICULAR APPLICATION, IMPOSED ON THIS SALE UNDER THE LAWS OF THE STATE OF SALE ARE LIMITED TO ONE YEAR. This warranty gives you specific legal rights, and you may also have other rights which vary from state to state. Some states do not allow limitations on how long an implied warranty lasts, so the above limitation may not apply to you.

WE WILL NOT BE RESPONSIBLE FOR WATER DAMAGE, LOSS OF USE OF THE UNIT, INCONVENIENCE, LOSS OR DAMAGE TO PERSONAL PROPERTY, WHETHER DIRECT OR INDIRECT, AND WHETHER ARISING IN CONTACT OR TORT. Some states do not allow the exclusion of incidental or consequential damages, so the above exclusion may not apply to you.

**Bock Water Heaters, Inc. • 110 South Dickinson Street • Madison, WI 53703**

**Telephone 608-257-2225 • Fax 608-257-5304**

**[www.bockwaterheaters.com](http://www.bockwaterheaters.com)**

**TABLE 1  
UL LISTED BURNERS**

<b>BOCK MODEL</b>	<b>BURNER MFR.</b>	<b>MODEL</b>	<b>OEM #</b>	<b>NOZZLE</b>	<b>PUMP PRESSURE</b>
32E, 33E, 32PPC	CARLIN	EZ-1	968280A32E	0.75 X 70A	100 PSI
50ES	CARLIN	EZ-1	968280A50ES	1.00 X 70A	100 PSI
51EC, 51PPC	CARLIN	EZ-1	968280A51E	1.10 X 70A	100 PSI
120E	CARLIN	EZ-1	968280A120E	1.10 X 70A	100 PSI
32E, 33E, 32PPC	CARLIN	EZ-1	968280A32E	0.60 X 60A	155 PSI
50ES	CARLIN	EZ-1	968280A50ES	0.85 X 60A	140 PSI
51EC, 51PPC	CARLIN	EZ-1	968280A51E	0.90 X 60A	150 PSI
120E	CARLIN	EZ-1	968280A120E	0.90 X 60A	150 PSI
32E, 33E, 32PPC	BECKETT	AF	BK3	0.75 X 80A	100 PSI
50ES	BECKETT	AF	BK5	1.00 X 80A	100 PSI
51EC, 51PPC	BECKETT	AF	BK5	1.00 X 80A	100 PSI
120E	BECKETT	AF	BK5	1.00 X 80A	100 PSI
32E, 33E, 32PPC	WAYNE	MSR	371-001B	0.75 X 80A	100 PSI
50ES	WAYNE	MSR	371-029B	1.10 X 80A	100 PSI
51EC, 51PPC	WAYNE	MSR	371-003B	1.10 X 80A	100 PSI
120E	WAYNE	MSR	371-029B	1.10 X 80A	100 PSI
32E, 33E, 32PPC	RIELLO	40F3	C8511167	0.60 X 60B	150 PSI
32E, 33E, 32PPC	RIELLO	40F3	20190809	0.60 X 60B	150 PSI
51EC, 51PPC	RIELLO	40F5	C8512138	0.90 x60B	150 PSI



## À INSTALLATEUR

Veillez fixer ces instructions près du chauffe-eau.

## AU CONSOMMATEUR

Lisez l'ensemble des instructions concernant ce produit et les composants. Veillez conserver ces documents pour référence ultérieure. N'oubliez pas de nous renvoyer la fiche d'enregistrement.

Pièces incluses : garantie, fiche d'enregistrement du produit et liste des pièces.



INSTRUCTIONS DE POSE,  
D'UTILISATION ET DE  
MAINTENANCE

# CHAUFFE-EAU RÉSIDENTIELS BOCK AU MAZOUT

Numéros de modèle : 32E, 32PPC, 33E,  
50ES, 51EC, 51PPC, 120E

### AVERTISSEMENT :

Une installation, un réglage, une modification, un entretien ou une maintenance impropre du système peuvent entraîner des dommages corporels ou matériels graves. Consultez ce manuel. Pour obtenir de l'aide ou plus de renseignements, consultez une entreprise ou un installateur qualifiés.

### AVERTISSEMENT :

Le fait de ne pas respecter ces instructions à la lettre peut provoquer un incendie ou une explosion et entraîner des dommages matériels et des blessures corporelles qui peuvent être mortelles.

### AVERTISSEMENT :

Respectez les instructions concernant les distances minimales de dégagement indiquées sur la fiche signalétique du chauffe-eau. N'installez pas ce produit sur un plancher combustible (voir la figure 2, page 3). L'installation doit respecter tous les codes en vigueur. En l'absence de codes locaux, suivez les directives suivantes : NFPA31 ou ANSI Z21.10.1.

### MISE EN GARDE :

La température recommandée pour une utilisation résidentielle normale est de 49 °C (120 °F). Le cadran de l'aquastat ne correspond pas toujours à la température réelle de l'eau fournie qui peut parfois dépasser les 49 °C (120 °F). Les écarts de température de l'eau fournie peuvent être le résultat de différents facteurs dont notamment, mais non exclusivement, les types d'utilisation et d'installation. Vérifiez la température de l'eau au robinet le plus proche du chauffe-eau. (Consultez la page 5 pour évaluer la température de l'eau fournie).

### AVERTISSEMENT :

Le risque de brûlure augmente avec la température de l'eau. Avant de changer le réglage de la température, consultez le manuel. La température requise pour provoquer des blessures dépend de l'âge de l'individu et de la durée de l'exposition.

Les enfants, les personnes âgées et les personnes qui souffrent d'un handicap mental ou physique réagissent moins vite et sont plus susceptibles de s'ébouillanter. L'utilisation de températures moins élevées est recommandée dans un tel contexte.

Lorsque de jeunes enfants ou des personnes handicapées sont présents, il est conseillé de régler la température à moins de 49 °C (120 °F) afin d'éviter tout risque de contact accidentel avec de l'eau brûlante.

**Pour abaisser la température, utilisez des dispositifs régulateurs de température aux points d'utilisation.**

### AVERTISSEMENT :

Des vapeurs inflammables provenant d'une autre partie du bâtiment peuvent être transportées vers ce chauffe-eau par des courants d'air.

**N'entrez pas et n'utilisez pas de liquides inflammables à proximité de cet appareil.**

### AVERTISSEMENT :

Les couvertures de chauffe-eau ne peuvent pas être utilisés sur le chauffe-eau et peuvent provoquer un incendie, l'asphyxie, des blessures ou la mort.

**Bock Water Heaters, Inc.**

110 South Dickinson Street • P.O. Box 8632 • Madison, WI 53703-8632 – États-Unis  
Tél : 608/257-2225 • Télécopieur : 608/257-5304 • [www.bockwaterheaters.com](http://www.bockwaterheaters.com)

## RESPONSABILITÉS DU CONSOMMATEUR

**LE NON RESPECT DE CES INSTRUCTIONS ET DE TOUS LES CODES ET RÉGLEMENTS EN VIGUEUR A POUR EFFET L'ANNULATION DE LA GARANTIE DU CHAUFFE-EAU.**

## INSTALLATION AVEC PLUSIEURS BRÛLEURS

## CHOISISSEZ LE BON EMBLACEMENT

CE MANUEL EST DESTINÉ À VOUS PRÉSENTER L'INSTALLATION, LE MODE D'EMPLOI ET LA MAINTENANCE DE VOTRE CHAUFFE-EAU ET À VOUS FOURNIR DES RENSEIGNEMENTS IMPORTANTS CONCERNANT LA SÉCURITÉ.

Lisez soigneusement toutes les instructions avant de commencer l'installation et avant de mettre le chauffe-eau en marche. Conservez ces instructions et toutes les instructions concernant les composants pour référence ultérieure.

Le fabricant de ce chauffe-eau ne sera pas responsable en cas de dommages résultant de la non observance des instructions d'installation et d'utilisation présentés dans les pages qui suivent. Ces instructions constituent un guide pour l'installation correcte du chauffe-eau.

Si l'installateur ne possède pas les qualifications requises ou a du mal à suivre les instructions, ne commencez pas l'installation sans faire appel à une personne qualifiée pour la partie de l'installation qui n'est pas bien comprise.

Les codes de plomberie et de l'électricité en vigueur doivent être respectés pour l'installation de ce chauffe-eau. En l'absence de code local utilisez le « UNIFORM PLUMBING CODE » et le code NFPA. Les codes locaux peuvent remplacer les instructions présentées dans ce manuel.

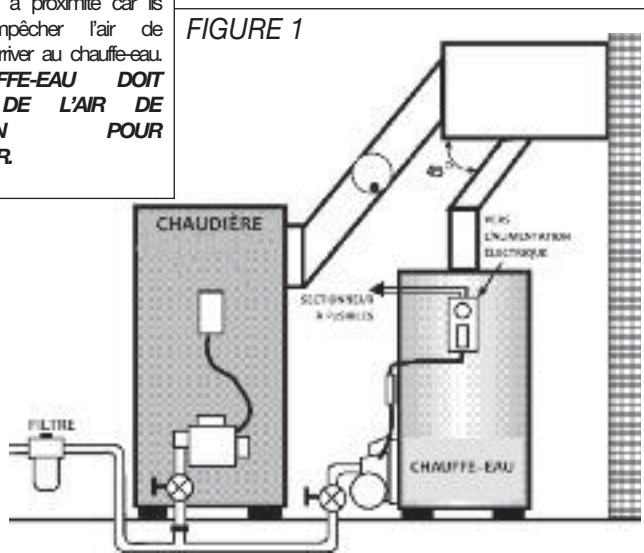
Lorsque deux ou plusieurs brûleurs sont utilisés, chaque unité doit être munie d'une conduite d'alimentation du carburant distincte afin d'éliminer les pannes qui peuvent résulter d'un manque de mazout à la pompe. Si cela n'est pas possible, il est recommandé d'utiliser un système de contrôle des priorités.

Vérifiez le nouvel équipement pour vous assurer que tous les composants sont en bon état. Le chauffe-eau et le brûleur peuvent être expédiés séparément. L'aquastat et le puits d'immersion peuvent être emballés avec le brûleur à mazout.

Le nouveau chauffe-eau exige du carburant (mazout n° 1 ou n° 2), de l'électricité et doit être situé à proximité d'une cheminée et d'une arrivée d'eau. Il est conseillé de placer le chauffe-eau près d'un drain de sol dans la mesure du possible pour faciliter l'entretien et comme mesure de protection en cas de problème. Prévoyez suffisamment d'espace autour du chauffe-eau pour l'entretien (voir l'avertissement concernant les distances minimales de dégagement, page 1). Il faut fournir le volume d'air nécessaire à la combustion. REMARQUE : Situez le chauffe-eau de façon à éviter tout dommage matériel causé par un véhicule en déplacement ou par une inondation.

Vérifiez qu'il n'y a pas de ventilateurs de tirage dans la pièce où se trouve le chauffe-eau ou à proximité car ils pourraient empêcher l'air de combustion d'arriver au chauffe-eau. **LE CHAUFFE-EAU DOIT RECEVOIR DE L'AIR DE COMBUSTION POUR FONCTIONNER.**

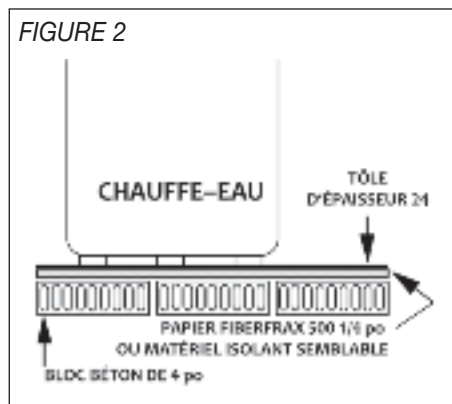
FIGURE 1



**N'INSTALLEZ PAS CE CHAUFFE-EAU SUR UN PLANCHER COMBUSTIBLE (voir la figure 2). Référez-vous à la norme NFPA 31 ou contactez Bock Water Heaters pour toute question concernant les matériaux qui conviennent au plancher.**

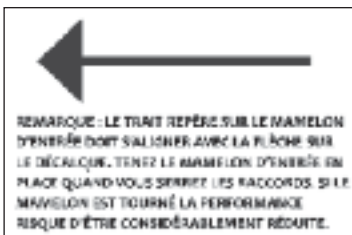
Dégagement minimum pour une construction inflammable : CÔTÉS 15,25 cm (6 po); ARRIÈRE 15,25 cm (6 po); AVANT 61 cm (24 po). L'installation de ce chauffe-eau doit se conformer à tous les codes et ordonnances en vigueur. En l'absence de codes locaux, l'installation doit se conformer aux normes du code de la National Fire Protection Association (NFPA 31).

FIGURE 2



## **RACCORDEZ LA TUYAUTERIE D'EAU**

Raccordez la tuyauterie d'eau en veillant à ne pas chauffer les mamelons du chauffe-eau. Installez les raccords diélectriques et les robinets d'arrêt sur canalisations d'eau chaude et froide.



Modèle 33E est muni d'une dérivation du débit d'entrée installée dans le réservoir. Les chauffe-eau munis de cette dérivation sont signalés par un autocollant à côté de l'entrée (illustré à gauche). Cette dérivation sert à maintenir le fond du réservoir propre en facilitant l'évacuation des sédiments par chasse d'eau. Le repère sur le mamelon de dérivation doit s'aligner avec la flèche du décalque (à gauche) pour bien fonctionner. Veillez à ne pas faire tourner la dérivation pendant le serrage des raccords d'entrée.

**MISE EN GARDE!!** Il existe un risque de brûlure et/ou d'inondation lorsque le levier est ouvert à la main ou lors du fonctionnement normal de la soupape de décharge si celle-ci n'est pas raccordée à un tuyau d'évacuation. Si la soupape ne laisse pas couler l'eau ou si elle ne se referme pas, appelez un plombier.

## RACCORDEZ À LA CHEMINÉE

Examinez la conduite d'arrivée d'eau pour voir s'il existe des clapets de non-retour ou des réducteurs de pression. Tout type de clapet de non-retour risque d'entraîner une augmentation de la pression à l'intérieur du chauffe-eau et par conséquent une panne. Si le chauffe-eau est installé sur un circuit fermé ou s'il existe un dispositif anti-refoulement ou un régulateur de pression, il faut rajouter un réservoir de détente. N'essayez pas de chauffer de l'eau dure. Installez un adoucisseur si le chauffe-eau est installé dans une zone d'eau dure (plus de 120 mg/litre [7 grains] de dureté).

Une soupape de surpression et de sécurité thermique (T&P) homologuée est installée à l'usine dans l'ouverture située en haut et à droite du chauffe-eau. Canalisez la soupape T&P jusqu'à 15 cm (6 po) du sol ou à un drain d'évacuation avec une tuyauterie de vidange.

Installez un connecteur de ventilation correctement dimensionné entre l'évent commun et le chauffe-eau.

S'il est nécessaire de se connecter à un connecteur de ventilation existant, être sûr que le connecteur étant utilisé est assez grande pour accueillir tous les appareils connectés. Lorsque l'on utilise un autre connecteur, utilisez un angle de 45° (voir la figure 1). Sauf en cas de nécessité, n'installez pas de régulateur de tirage. L'emballement de tirage ne devrait pas être positif. Le tirage de cheminée doit se situer entre -0,02 CE et -0,05 CE maximum ; le CO2 doit se situer à un minimum de 11% avec de la fumée zéro.

Le brûleur de mazout est muni d'un relais primaire. L'aquastat et le puits d'immersion sont emballés avec le brûleur. Le thermostat est réglé à l'usine à 49 °C (120 °F) pour une utilisation résidentielle (voir la mention « mise en garde » à la page 1 en ce qui concerne les variations de température). Installez le puits d'immersion et l'aquastat et vérifiez la longueur de l'ampoule (voir le paragraphe « Brûleur et Contrôles », page 10).

## MONTEZ LE BRÛLEUR À MAZOUT

Retirez le bloc de carton de l'ouverture du brûleur. Installez le brûleur sur des boulons d'ancrage et placez le joint (fourni) entre la bride du brûleur et le chauffe-eau. Fixez le brûleur au chauffe-eau avec les écrous de 1/4 -20 (fournis). Ouvrez le panneau d'accès du chauffe-eau pour examiner le tube du brûleur et vérifiez avec un miroir que rien n'en bouche l'ouverture (voir « Maintenance et service » page 6 pour le dépannage).

Tout le câblage doit être conforme aux codes du bâtiment et aux règlements locaux en vigueur. Le relais primaire est câblé au brûleur à l'usine. Installez le puits de l'aquastat dans le raccord de 3/4 po situé à l'avant du chauffe-eau. Assurez-vous que l'ampoule sensible est bien enfoncée jusqu'au fond du puits. Avec un aquastat de Honeywell, serrez la vis en haut de l'aquastat pour fixer le contrôleur au puit. Avec un aquastat Carlin EZ-Temp, référez-vous au guide d'installation inséré dans l'emballage pour la mise en place correcte. Référez-vous aux illustrations pour les modèles corrects. Raccordez l'alimentation électrique à l'aquastat en passant par un sectionneur à fusible (relié au champ électrique du chauffe-eau). Voir la Figure 1.

## FAITES LES RACCORDS ÉLECTRIQUES

Utilisez du mazout n°1 ou n°2. Pour les mélanges de biocarburants B6-B100, le brûleur doit être fabriqué par Carlin Combustion et être étiqueté "Pour une utilisation avec de l'huile pas plus lourde que le n° 2, biomélanges B6-B100 (États-Unis uniquement)." **Il faut installer un filtre à huile de la bonne taille et de la bonne capacité dans la conduite de mazout (NFPA 31, 4.5.4).**

## RACCORDEZ LA CONDUITE DU MAZOUT

**Réseau gravitaire :** le brûleur de mazout est généralement muni d'une pompe monocellulaire équipée pour un débit (par gravité) sur une seule conduite. Utilisez un tube en cuivre souple de 3/8 po de diamètre extérieur et faites des **raccordements à collet repoussé**. N'UTILISEZ PAS DE BAGUE DE COMPRESSION. Installez le robinet d'arrêt et le filtre à huile dans la conduite d'huile. Suivez les instructions du fabricant de la pompe (attachées à la pompe).

**AVERTISSEMENT!!  
L'INSTALLATION D'UN  
BOUCHON SUR LA  
DÉRIVATION EXIGE  
L'UTILISATION D'UN SYSTÈME  
À DEUX CONDUITES.**



**Système d'élévation :** il faut commander le brûleur avec une pompe à deux étages. Mettez en place un système à deux conduites (canalisations d'aspiration et de retour). Installez le bouchon de dérivation selon les instructions fournies avec la pompe (le bouchon se trouve dans le sac qui contient les instructions).

Pour toutes les longueurs de canalisation qui dépassent la longueur maximale indiquée à la figure 3, ou pour toute élévation de plus de 3 m (10 pieds), il faut utiliser une pompe supplémentaire. Il faut installer les pompes supplémentaires aussi près que possible du réservoir de mazout. Les conduites d'aspiration et de retour doivent être du même diamètre et vont toutes deux à 15 cm (6 po) du fond du réservoir. La conduite de retour doit finir légèrement au-dessus de la conduite d'aspiration. Utilisez un minimum de raccords. Utilisez le plus grand rayon de courbure possible pour la tuyauterie. **N'UTILISEZ PAS DE BAGUE DE COMPRESSION.** Il faut procéder avec prudence lors du dernier raccord au brûleur afin de ne pas endommager le module du carburant. Avant de raccorder la tuyauterie au brûleur, enroulez le tube en forme de serpentín pour réduire les vibrations. Codes étatiques et locales doivent être respectées.

**FIGURE 3 : ÉLÉVATION ET PARCOURS HORIZONTAL MAXIMUM**

Système à 1 tuyau	Pompe à monocellulaire 3/8 po diam. ext. Tube	Parcours horizontal 1/2 po diam. ext. Tube	Système à 2 tuyaux	Pompe à deux étages 3/8 po diam. ext. Tube	Parcours horizontal 1/2 po diam. ext. Tube
Élévation			Élévation		
0 m (0')	19,8 m (65')	30,50 m (100')	0 m (0')	22,9 m (75')	30,50 m (100')
1,2 m (4')	13,7 m (45')	30,50 m (100')	1,2 m (4')	19,5 m (64')	30,50 m (100')
2,13 m (7')	9,4 m (31')	30,50 m (100')	2,13 m (7')	16,7 m (55')	30,50 m (100')
2,4 m (8')	4,9 m (16')	19,5 m (64')	3 m (10')	14,3 m (47')	30,50 m (100')

Votre registre (comme ici ou semblable) doit être rempli de la façon suivante :

Date	Heure	Nom de la personne effectuant le test	Temp. réglée à °C (ou °F)	Temp. de sortie °C (ou °F)

## **METTEZ EN ROUTE LE CIRCUIT D'EAU**

**Mise en garde :** Le panneau du trou de main peut se desserrer pendant le transport : vérifiez qu'il est bien serré avant de mettre le chauffe-eau en route.

1. Remplissez le réservoir d'eau en ouvrant un robinet d'eau chaude pour permettre à l'air emprisonné de s'échapper du chauffe-eau. Ouvrez le robinet d'arrivée d'eau froide. Fermez chaque robinet une fois que l'eau qui en sort ne contient plus d'air. Inspectez l'appareil pour vérifier qu'il n'y a pas de fuites. Ne faites jamais fonctionner un chauffe-eau vide ou partiellement rempli.

2. Pour placer le brûleur en fonctionnement, suivez les instructions fournies avec le brûleur.

3. Ajuster la pression de la pompe à la valeur indiquée dans le tableau 1 en fonction de la marque/du modèle du brûleur et de la buse spécifiée.

## MESURE DE LA TEMPÉRATURE DE L'EAU FOURNIE

4. Le réglage de l'air de combustion du brûleur doit se faire conformément aux instructions du fabricant. L'utilisation d'appareils d'analyse de la combustion pour vérifier le CO<sub>2</sub> et la fumée. La teneur en CO<sub>2</sub> doit être d'au moins 11 % avec un indice de noircissement de 0 sur l'échelle de Bacharach.

5. Pendant le fonctionnement du brûleur, débranchez un des fils jaunes de la cellule au sulfure de cadmium (cellule photo). Vérifiez que le contrôleur du brûleur ferme le système au bout du temps précisé sur la commande. Le brûleur devrait redémarrer. Remarque : Il peut être nécessaire d'attendre une minute avant de réenclencher le contrôleur.

6. Le thermostat est réglé en usine à 49 °C (120 °F) pour une utilisation résidentielle. (Voir la mention « mise en garde » à la page 1 en ce qui concerne les variations de température). Il est de la responsabilité du propriétaire du domicile et de l'installateur de vérifier que l'installateur suit tous les tests de vérification recommandés pour la mesure de la température de l'eau. Pour vérifier que le système fonctionne normalement après l'installation et par la suite, il est recommandé de vérifier et de suivre la performance du chauffe-eau. Faites couler l'eau du robinet le plus proche du chauffe-eau jusqu'à ce qu'elle soit chaude. Mesurez la température de l'eau à l'aide d'un thermomètre calibré. Si la température de l'eau ne convient pas à l'installation, demandez à un technicien qualifié de régler l'aquastat. Contactez Bock pour plus de renseignements à propos du thermomètre en cas de besoin.

**AVERTISSEMENT : de l'hydrogène peut être généré dans un système d'eau chaude alimenté par un chauffe-eau qui n'a pas fonctionné pendant une longue période (en général deux semaines ou plus). L'hydrogène est un gaz extrêmement inflammable. Afin de réduire les risques de blessures, ouvrez le robinet d'eau chaude situé au plus haut de la maison pendant plusieurs minutes avant d'utiliser un appareil électrique connecté au réseau d'alimentation en eau chaude. La présence d'hydrogène dans les canalisations peut se manifester par un son inhabituel comme celui de l'air qui s'échappe le long des tuyaux quand l'eau commence à couler. Ne fumez pas et veillez à ce qu'il n'y ait aucune flamme à proximité du robinet lorsqu'il est ouvert.**

## MAINTENANCE

1. Suivez les instructions du fabricant du brûleur pour le bon entretien du brûleur à mazout.

2. TOUS LES SIX À DOUZE MOIS : Videz l'eau du réservoir du chauffe-eau et inspectez-le pour voir s'il y a des dépôts de sédiments ou de calcaire. Rincez si nécessaire. S'il y a une accumulation de calcaire, utilisez un produit commercial pour le dissoudre ou grattez-le à travers le trou de main (le cas échéant). En cas de présence de dépôts calcaires, vérifiez le système de l'adoucisseur d'eau. N'ESSAYEZ PAS DE CHAUFFER DE L'EAU DURE. (Voir l'étiquette de service sur le chauffe-eau.)

3. **Remplacez les barres d'anode en magnésium tous les six à douze mois ou lorsqu'elles sont réduites à 10 mm (3/8 po) de diamètre** (voir l'étiquette de service sur le chauffe-eau).

4. Ouvrez le levier de vérification de la soupape de sûreté pour vidanger le réservoir. Vérifier que la soupape se referme bien.

5. Si le chauffe-eau doit être fermé par temps froid, videz le réservoir pour éviter le gel.

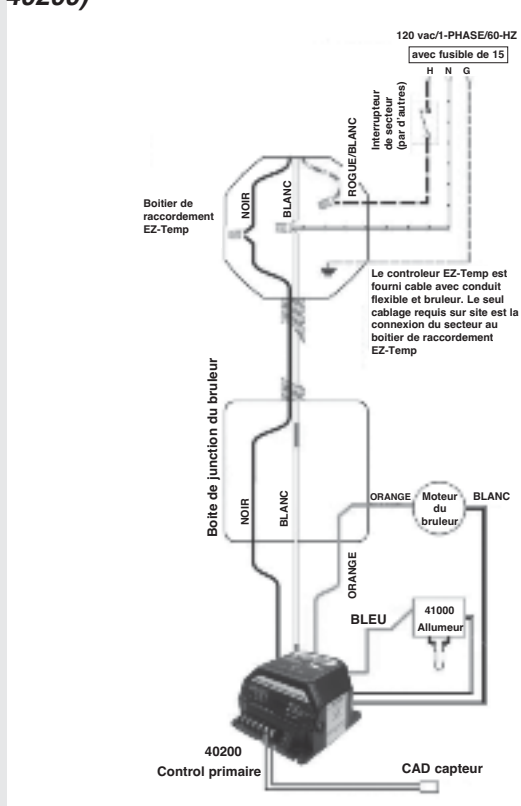
## SERVICE

1. Vérifiez l'alimentation en mazout, le câblage électrique et les fusibles, puis vérifiez que le contrôleur de la température effectue la demande de chaleur.

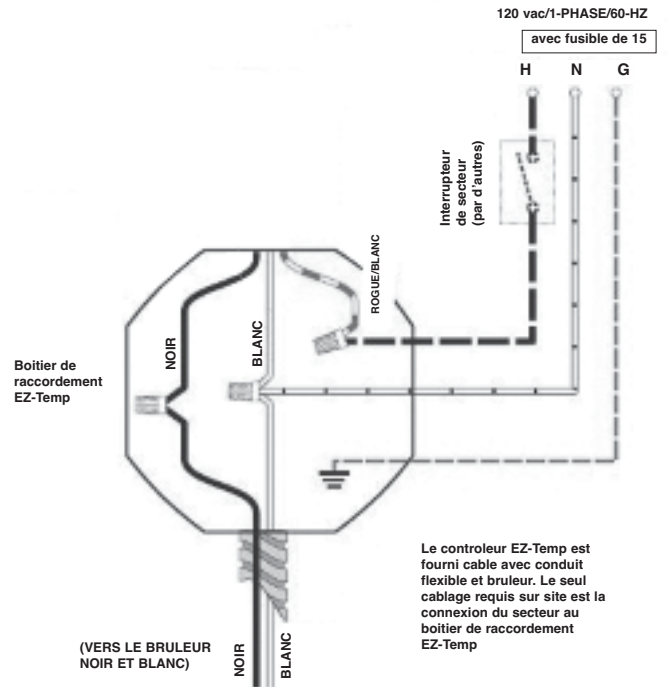
2. Si le brûleur ne fonctionne pas, appeler un fournisseur qualifié de service local.

# CÂBLAGE

**FIGURE 4 : Brûleur Carlin avec Carlin EZ-Temp**  
 Pour les modèles : 32, 33, 50, 51, 120  
 (Brûleur Carlin avec commande primaire 40200)

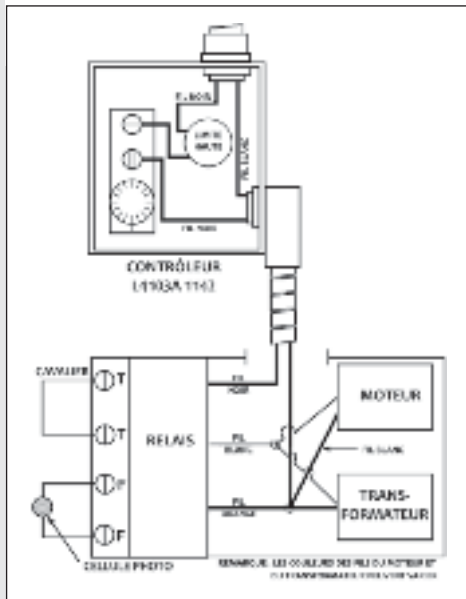


**FIGURE 5 : Brûleur Beckett ou Wayne avec Carlin EZ-Temp**  
 Pour les modèles : 32, 33, 50, 51, 120

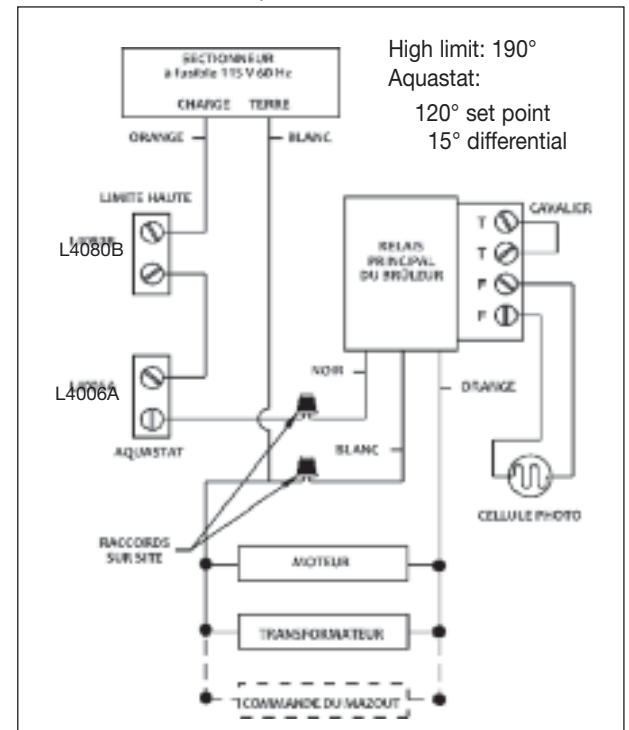


**FIGURE 6 : Honeywell L4103A-1142**  
 Pour les modèles : 32, 33, 51

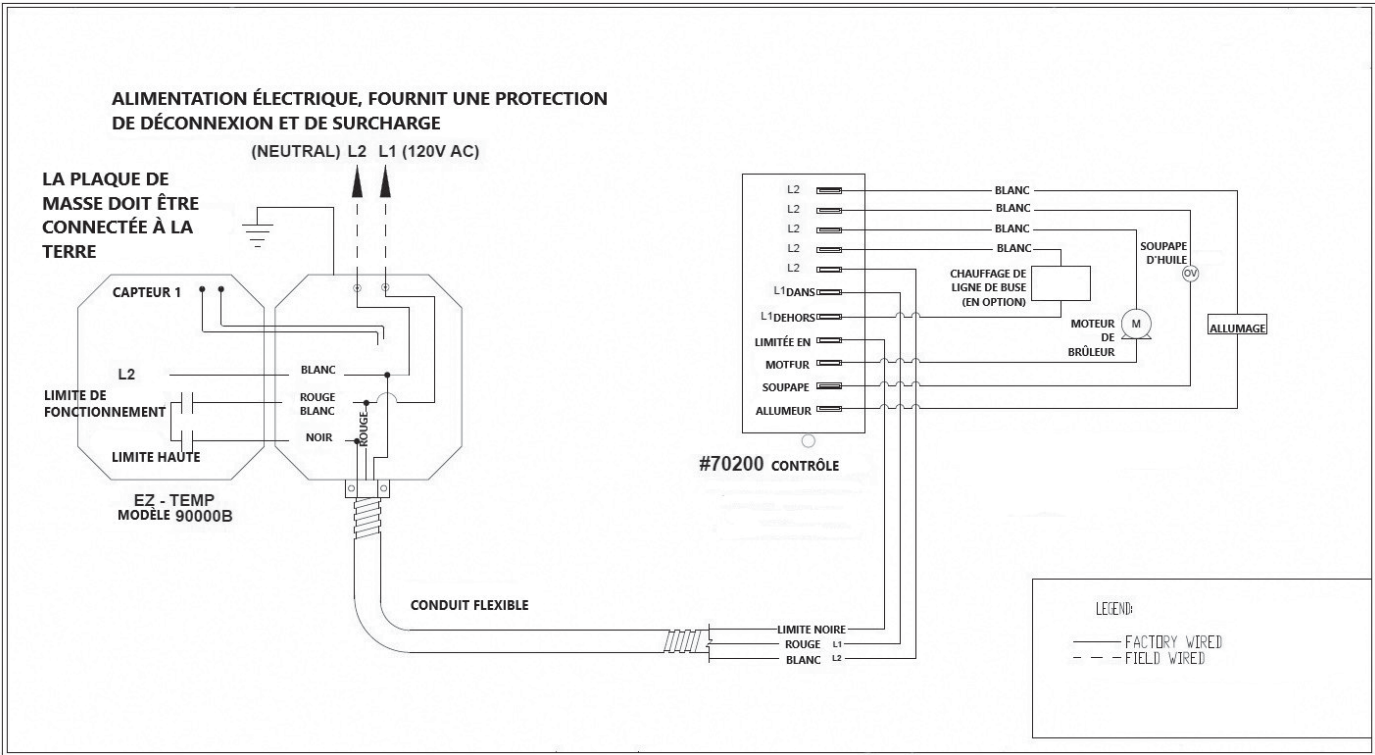
**FIGURE 6, REMARQUES :**  
 Réglage à 49 °C (120° F)



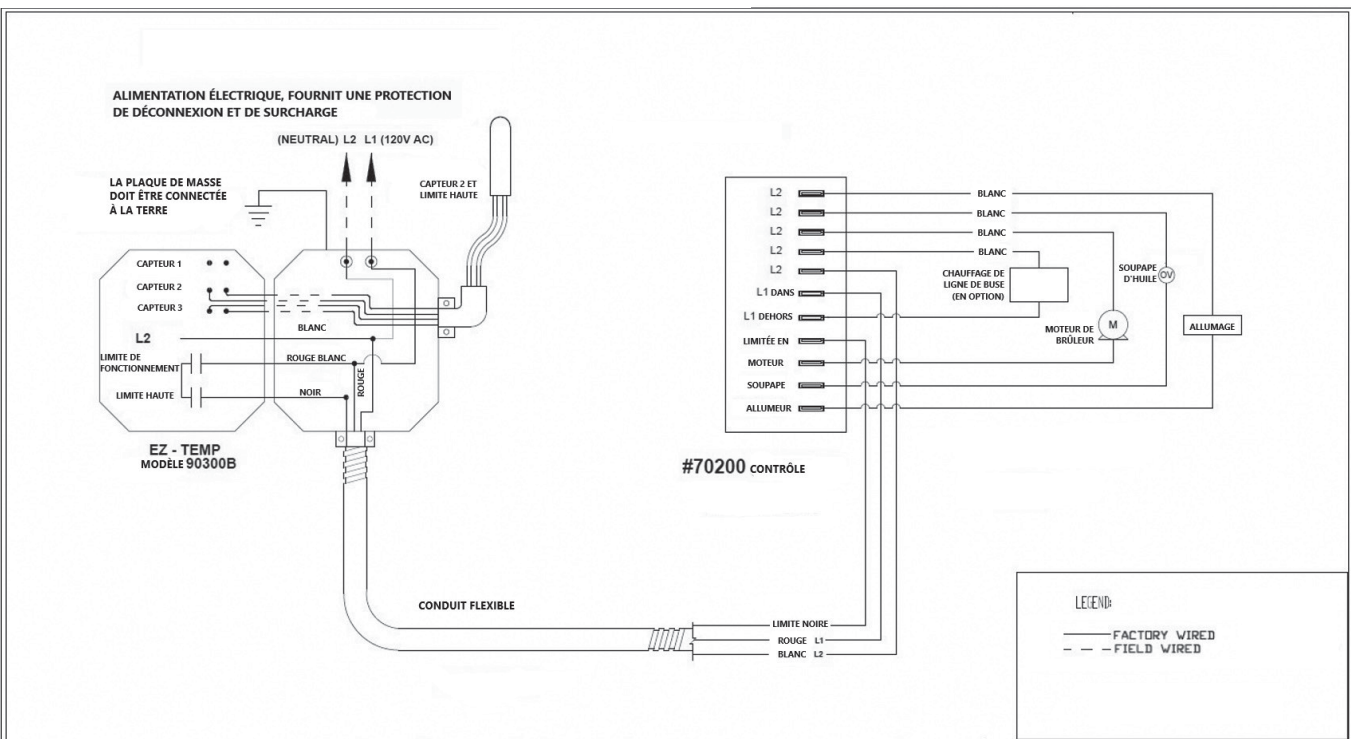
**FIGURE 7 : Honeywell L4006A avec L4080B**  
 Pour les modèles : 50, 120E



**FIGURE 8: Brûleur Carlin avec Carlin 90000B EZ-Temp**  
**Pour les modèles : 32, 33, 50, 51**  
**(Brûleur Carlin avec commande primaire 70200)**



**FIGURE 9: Brûleur Carlin avec Carlin 90300B EZ-Temp**  
**Pour les modèles : 50, 120**  
**(Brûleur Carlin avec commande primaire 70200)**



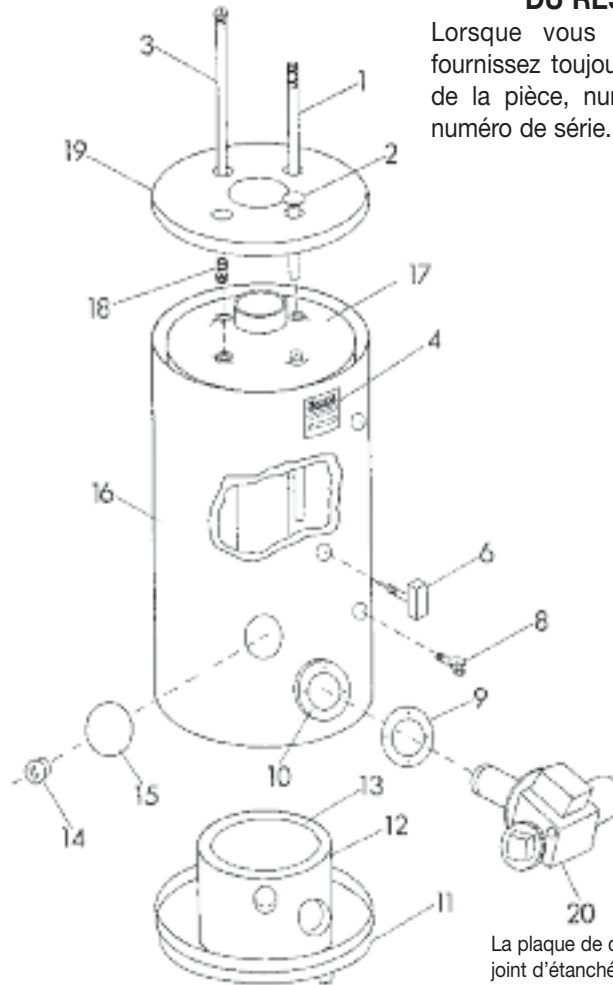
## CHAUFFE -EAU AU MAZOUT

## LISTE DES PIÈCES DE L'ENSEMBLE DU RÉSERVOIR BOCK

Lorsque vous commandez une pièce, fournissez toujours ces informations : nom de la pièce, numéro du modèle, taille et numéro de série.

### DESCRIPTION :

1. Tube profond de l'arrivée d'eau froide (N/D 33E)
2. Capuchon en plastique
3. Barre d'anode en magnésium (disponible en aluminium)
4. Fiche signalétique
6. Puit d'immersion et aquatat
8. Robinet de purge
9. Joint du support de montage
10. Support de montage du brûleur (fait partie de l'enveloppe des modèles 20e et des modèles des séries 32E jusqu'à 51; vendu séparément sur les modèles 120E)
11. Assise
12. Enveloppe de la chambre de combustion
13. Chambre de combustion
14. Bloc d'inspection
15. Porte d'inspection
16. Enveloppe du chauffe-eau
17. Réservoir
18. Mamelon de la sortie chaude  
Séries 51 : 1 po  
Tous les autres : 3/4 po  
50ES: S/O
19. Panneau supérieur
20. Brûleur



La plaque de couverture du trou de main et le joint d'étanchéité (pour le 50ES seulement) ne figurent pas dans l'image.

## GARANTIE LIMITÉE

### GARANTIE

Cette garantie recouvre les chauffe-eau « Bock » modèles 20e, 20pp, 32E, 32EC, 32PP, 32PPC, 33E, 33PP, 40E, 40PP, 50ES, 50ESC, 51E, 51EC, 51PP, 51PPC, 71E et 120E. Bock Water Heaters, Inc., une filiale de Bock Corporation – incorporée aux États-Unis d'Amérique dans le Wisconsin – 110 South Dickinson Street, Madison, WI 53703 (la « Compagnie »), garantit au propriétaire que le réservoir de chauffe-eau ne présentera pas de fuites dues à un défaut de matériel ou de main d'œuvre pendant CINQ ans à partir de la date d'installation originale. Si le chauffe-eau est installé ailleurs que dans une habitation pour une seule famille, cette garantie est limitée à TROIS ans à partir de la date d'installation originale. La compagnie garantit aussi qu'aucune autre partie de ce chauffe-eau ne cessera de fonctionner en raison d'un défaut matériel ou de main d'œuvre pendant un an.

### RESPONSABILITÉ DU FABRICANT

La responsabilité de la compagnie consiste à réparer ou remplacer, à notre discrétion par le modèle Bock actuel comparable, toute partie de l'équipement vendu par la Compagnie qui présente un défaut de matériel ou de main d'œuvre, y compris le réservoir, pendant la période de garantie lorsque l'installation est conforme à tous les codes et règlements locaux en vigueur et utilisé et entretenu conformément à nos instructions sous réserve des conditions et exceptions indiquées ci-dessous. Notre responsabilité, en cas de fuite ou d'autre défaut de fonctionnement, est strictement limitée à la réparation ou au remplacement du chauffe-eau défectueux ou de la pièce défectueuse, ainsi qu'il est indiqué aux présentes. Nous ne sommes pas responsables des dommages consécutifs qu'ils soient matériels ou corporels, ni des frais ou des dommages indirects. Tout équipement réparé ou remplacé sera garanti pendant la période restant à couvrir de la garantie de l'équipement d'origine.

### BRÛLEUR ET CONTRÔLES

Toute utilisation sur un chauffe-eau Bock d'un brûleur et/ou d'un dispositif de contrôle autre que ceux recommandés par Bock Water Heaters Inc. et homologués par Underwriters Laboratories, Inc. annulera cette garantie.

Bock Water Heaters, Inc. prescrit les brûleurs et les dispositifs de contrôle pour leur sécurité, leur fiabilité et leur performance. Nous indiquons ci-dessous les seuls brûleurs et dispositifs de contrôle vérifiés et approuvés par Bock Water Heaters, Inc. et Underwriters Laboratories, Inc. conformes aux normes rigoureuses exigées par ces deux organismes. **(Voir le tableau A, page 11).**

### 20e, 32E, 33E, 40E, 51E, 71E pour les applications résidentielles :

Honeywell L4103A : combinaison d'un aquastat et d'un contrôleur de limite haute. Il faut un puits. N° de pièce 138134E. (Voir Figure 7)

White Rodgers 11C30-11 : combinaison d'un aquastat et d'un contrôleur de limite haute. Il faut un puits. N° de pièce F89-0214.

Carlin EZ-Temp 90000B — N° de pièce 21585. Il faut un puits. — N° de pièce 21587. (Voir Figure 5, 6).

### 50ES, 120E & pour les applications commerciales :

Honeywell L4006A (aquastat) et L4080B (contrôleur de limite). Il faut deux puits. N° de pièce 123871B. **Ne s'utilise pas sur les séries 32E.** (Voir Figure 8).

Carlin EZ-Temp 90000C — N° de pièce 21582. Il faut deux puits — N° de pièce 21587. (Voir Figure 5, 6).

Carlin EZ-Temp 90300B — N° de pièce 21589. Il faut deux puits — N° de pièce 21587. (Voir Figure 5, 6).

### RESPONSABILITÉ DU PROPRIÉTAIRE

À la demande de la compagnie, le propriétaire doit renvoyer à l'usine de Madison, WI, É.-U. toute pièce, y compris le réservoir qui présente un défaut de matériel ou de main d'œuvre et payer les frais de transport pour les pièces renvoyées et pour les pièces de rechange envoyées en retour par l'usine au propriétaire.

## EXCEPTIONS

Le propriétaire doit prendre à sa charge tous les frais de main d'œuvre pour la dépose et la réinstallation de ces pièces, y compris le réservoir. Tout chauffe-eau de remplacement fourni dans le cadre de cette garantie sera garanti pendant la période restant à couvrir de la garantie de l'équipement d'origine. Le propriétaire prendra les dispositions qui s'imposent pour l'inspection annuelle des barres d'anode. Bock Water Heaters, Inc. exige des reçus pour preuve de paiement de la maintenance des anodes en cas de réclamation concernant un réservoir vitrifié.

Cette garantie ne s'applique pas aux réservoirs ou pièces ayant subi une mauvaise utilisation, une modification, un accident, une température excessive, une pression excessive, une accumulation de calcaire, de boue ou de sédiments, une atmosphère corrosive, le retrait des barres d'anodes en magnésium, du bruit, de l'odeur, de l'eau contenant de la rouille, la pose d'une couverture isothermique sur le chauffe-eau, une installation ailleurs qu'aux États-Unis (sauf le Canada) ou si les numéros de série ont subi une modification. En outre, cette garantie ne s'applique pas lorsque le chauffe-eau est installé sans soupape de surpression et de sécurité thermique neuve et lorsque l'installation n'est pas en conformité avec tous les codes et règlements en vigueur.

## ENGAGEMENT DE GARANTIE TOTALE

Nous n'assumons ni n'autorisons quiconque à assumer en notre nom toute autre obligation en ce qui concerne la vente ou le fonctionnement de Bock Water Heaters, Inc. Toute garantie implicite y compris de qualité ou de convenance marchande imposée à la vente de ce chauffe eau dans le cadre des lois du lieu de la vente sont limitées à un an. Certaines juridictions ne permettent pas de limitations quant à la durée d'une garantie implicite ou l'exclusion ou la limitation des dommages incidents ou consécutifs et par conséquent les limitations ou exclusions décrites ci-dessus pourraient ne pas s'appliquer dans votre cas. Cette garantie vous confère des droits légaux spécifiques et vous pouvez également bénéficier d'autres droits qui varient d'une juridiction à l'autre.

## FICHE D'ENREGISTREMENT DU PRODUIT

La fiche d'enregistrement jointe doit nous être retournée sous 30 (trente) jours de la date de l'installation faute de quoi la date de fabrication sera inscrite comme date d'installation pour les besoins de cette garantie.

## POUR FAIRE UNE RÉCLAMATION

Contactez votre distributeur Bock le plus proche ou :

**Bock Water Heaters, Inc.**

**110 South Dickson Street, Madison, WI 53703 — États-Unis**

**Téléphone : 608/257-2225 • Télécopie : 608/257-5304**

## TABLEAU 1 brûleurs homologués UL

MODÈLE BOCK	FABRICANT DE BRÛLEUR	MODÈLE	Numéro OEM	BUSE	PRESSION DE LA POMPE
32E, 33E, 32PPC	CARLIN	EZ-1	968280A32E	0.75 X 70A	100 PSI
50ES	CARLIN	EZ-1	968280A50ES	1.00 X 70A	100 PSI
51EC, 51PPC	CARLIN	EZ-1	968280A51E	1.10 X 70A	100 PSI
120E	CARLIN	EZ-1	968280A120E	1.10 X 70A	100 PSI
32E, 33E, 32PPC	CARLIN	EZ-1	968280A32E	0.60 X 60A	155 PSI
50ES	CARLIN	EZ-1	968280A50ES	0.85 X 60A	140 PSI
51EC, 51PPC	CARLIN	EZ-1	968280A51E	0.90 X 60A	150 PSI
120E	CARLIN	EZ-1	968280A120E	0.90 X 60A	150 PSI
32E, 33E, 32PPC	BECKETT	AF	BK3	0.75 X 80A	100 PSI
50ES	BECKETT	AF	BK5	1.00 X 80A	100 PSI
51EC, 51PPC	BECKETT	AF	BK5	1.00 X 80A	100 PSI
120E	BECKETT	AF	BK5	1.00 X 80A	100 PSI
32E, 33E, 32PPC	WAYNE	MSR	371-001B	0.75 X 80A	100 PSI
50ES	WAYNE	MSR	371-029B	1.10 X 80A	100 PSI
51EC, 51PPC	WAYNE	MSR	371-003B	1.10 X 80A	100 PSI
120E	WAYNE	MSR	371-029B	1.10 X 80A	100 PSI
32E, 33E, 32PPC	RIELLO	40F3	C8511167	0.60 X 60B	150 PSI
32E, 33E, 32PPC	RIELLO	40F3	20190809	0.60 X 60B	150 PSI
51EC, 51PPC	RIELLO	40F5	C8512138	0.90 X 60B	150 PSI

## **Bock Water Heaters, Inc.**

**110 South Dickinson Street • P.O. Box 8632 • Madison, WI 53708-8632 – États-Unis**  
**Tél : 608/257-2225 • Télécopieur : 608/257-5304 • [www.bockwaterheaters.com](http://www.bockwaterheaters.com)**