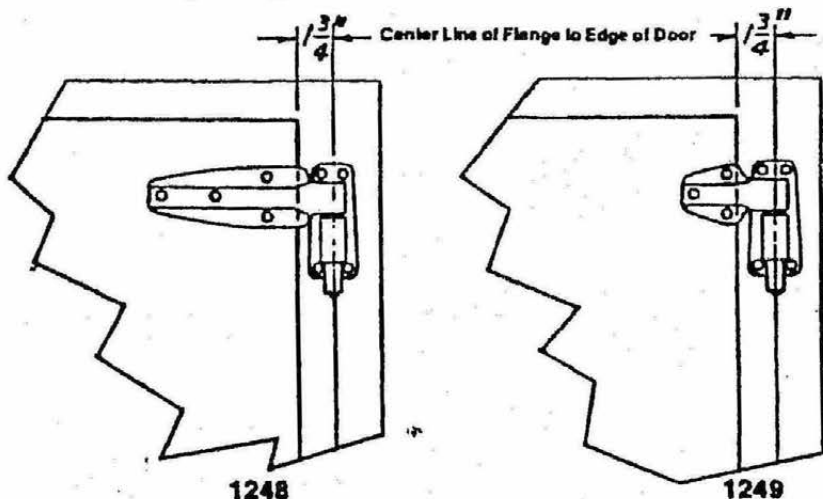


Mounting Instructions for 1248 & 1249 Hinges

GreenGuard
BY KASON INDUSTRIES

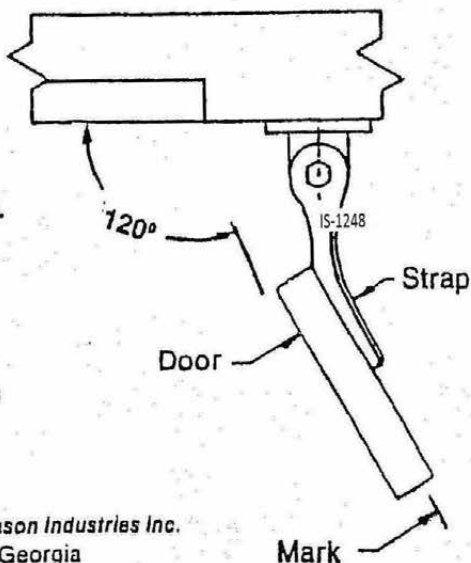
1. Position hinge on door and jamb being careful to hold the $1\frac{3}{4}$ " dimension (center line of flange to edge of door).
2. Drill mounting holes using the hinge as a template.
3. Mount hinge with $\frac{1}{4}$ " flat head screws.



IMPORTANT

Instructions for Door Removal

1. Open door to dwell position, stopping at approximately 120° .
2. Put mark on floor to indicate position of door, see sketch.
3. Lift door off frame.
4. To replace door, line up door with mark on floor.
5. Place hex hole in hinge straps over hex rods and lower door.



KASON
Hardware

A Division of Kason Industries Inc.
Shenandoah, Georgia

[View this part on walkincoolerparts.com](http://walkincoolerparts.com)