



# Submittal Data Information

## Heat Motor Zone Valves

100-3.2

Effective: March 2, 2023

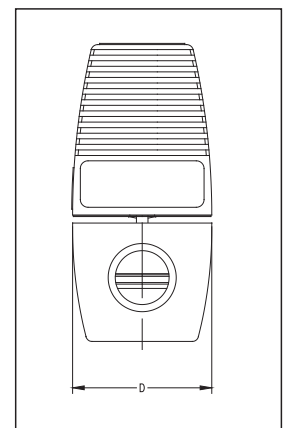
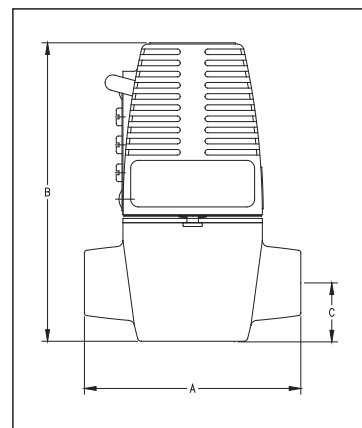
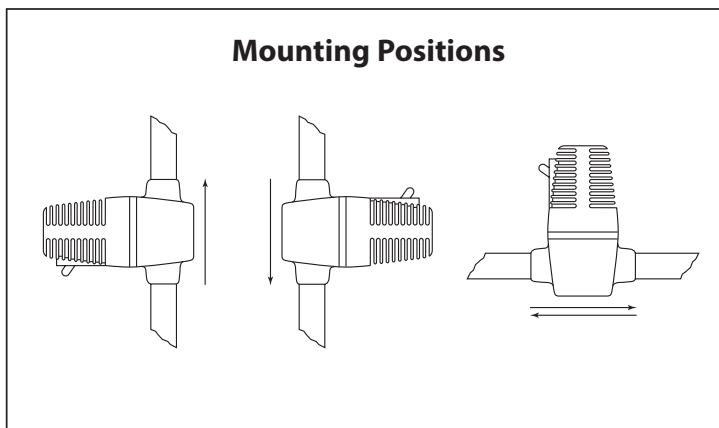
Supersedes: March 3, 2008

Job: \_\_\_\_\_ Engineer: \_\_\_\_\_ Contractor: \_\_\_\_\_ Rep: \_\_\_\_\_

ITEM NO.	MODEL NO.

Dimensions & Weights												
Models	Connection	Style	A		B		C		D		Ship Wt.	
			in.	mm	in.	mm	in.	mm	in.	mm	Lbs.	Kg.
570	1/2" Sweat	2-Way	3-1/16"	78	4-13/16"	122	15/16"	24	2"	51	2-1/4	1.0
571	3/4" Sweat	2-Way	3-3/8"	86	4-13/16"	122	15/16"	24	2"	51	2-1/4	1.0
572	1" Sweat	2-Way	3-5/8"	92	4-13/16"	122	15/16"	24	2"	51	2-1/4	1.0
573	1-1/4" Sweat	2-Way	3-7/8"	98	4-13/16"	122	15/16"	24	2"	51	2-1/4	1.0

Models	Electrical			Performance							Materials of Construction		
	Volts	Hz	Amps	Normal Flow Ranges (GPM)	Cv	Equiv. Ft. of Pipe	Min. Fluid Temp. (°F)	Max. Fluid Temp. (°F)	Max. Working Pressure (psi)	Pump Head Ft. of Water	Body	Stem / Seal	Seat Assy.
570	24	60	0.9	1 - 4 1/2	4.2	10	40°	240°	125	65	Bronze	Bellows	Brass
571	24	60	0.9	4 1/2 - 6	6.1	20	40°	240°	125	65	Bronze	Bellows	Brass
572	24	60	0.9	6 - 10	7.0	60	40°	240°	125	65	Bronze	Bellows	Brass
573	24	60	0.9	10 - 16	7.2	130	40°	240°	125	65	Bronze	Bellows	Brass



Taco, Inc., 1160 Cranston Street, Cranston, RI 02920 | Tel: (401) 942-8000  
 Taco (Canada), Ltd., 8450 Lawson Road, Suite #3, Milton, Ontario L9T 0J8 | Tel: (905) 564-9422  
 Visit our web site: www.TacoComfort.com | ©2023 Taco, Inc.

