

10/14/18 kW Air-Cooled Generator Sets

Standby Power Rating

Model G007179-0 (Aluminum - Dark Gray) - 10 kW 60 Hz
 Model G007229-10 (Aluminum - Dark Gray) - 14 kW 60 Hz
 Model G007230-10 (Aluminum - Dark Gray) - 18 kW 60 Hz

INCLUDES

- **Innovative engine design and rigorous testing:** Honeywell generators use Generac's industry leading G-Force engine lineup for added peace of mind and reliability for when you need it most. The G-Force series of engines are purpose built and designed to handle the rigors of extended run times in high temperatures and extreme operating conditions.
- **PrecisionPower™ Electrical Technology:** Superior harmonics and sine wave form produce less than 5% Total Harmonic Distortion for utility quality power. This allows confident operation of sensitive electronic and microchip based appliances, such as variable speed HVAC.
- **Solid-State, Frequency Compensated Voltage Regulation:** This state-of-the-art, power maximizing regulation system is the standard on all Honeywell models. It provides optimized FAST RESPONSE to changing load conditions and MAXIMUM MOTOR STARTING CAPABILITY by electronically torque-matching the surge loads to the engine. Digital voltage regulation at $\pm 1\%$.
- **Single Source Service Response:** Our extensive dealer network provides parts and service know-how for the entire unit, from the engine to the smallest electrical component.
- **Honeywell Transfer Switches:** The Honeywell generator line is offered with its own transfer systems and controls for total system compatibility.
- **18 in (457 mm) Offset:** Listed and labeled by the Southwest Research Institute allowing installation as close as 18 in (457 mm) to a structure.*

*Must be located away from doors, windows, and fresh air intakes and in accordance with local codes.



FEATURES & BENEFITS

- | | | | | |
|--|---|--|---|--|
| <ul style="list-style-type: none"> • PrecisionPower™ Electrical Technology • Two-Line Multilingual Digital LCD Controller (English, Spanish, French, Portuguese) | <ul style="list-style-type: none"> • Standard Wi-Fi* Remote Monitoring • Electronic Governor • System and Status & Maintenance Interval LED Indicators | <ul style="list-style-type: none"> • Flexible Fuel Line Connector • WhisperCheck™ Exercise • Sound Attenuated Enclosure | <ul style="list-style-type: none"> • Natural Gas or LP Gas Operation • 5 Year Premium Limited Warranty • Capability to be installed within 18 in (457 mm) of a building* | <p>* Only if located away from doors, windows, and fresh air intakes, unless otherwise directed by local codes.</p> <p>** US version is ETL or UL listed only.</p> |
|--|---|--|---|--|

10/14/18 kW Standby Generator Technical Specifications

ENGINE

WhisperCheck™: Greatly reduces sound output and fuel consumption during selectable weekly, bi-weekly, or monthly exercise.

Generac G-Force design: Maximizes engine "breathing" for increased fuel efficiency. Plateau honed cylinder walls and plasma moly rings help the engine run cooler, reducing oil consumption and resulting in longer engine life.

"Spiny-lok" cast iron cylinder walls: Rigid construction and added durability provide long engine life.

Electronic ignition/spark advance: These features combine to assure smooth, quick starting every time.

Full pressure lubrication system: Pressurized lubrication to all vital bearings means better performance, less maintenance, and longer engine life. Now featuring up to a 2 year/200 hour oil change interval.

Low oil pressure shutdown system: Shutdown protection prevents catastrophic engine damage due to low oil.

High temperature shutdown: Prevents damage due to overheating.

GENERATOR

Test criteria: Prototype tested; system torsional tested; NEMA MG1-22 evaluation; motor starting ability.

Revolving field: Allows for a smaller, light weight unit that operates 25% more efficiently than a revolving armature generator.

Skewed stator: Produces a smooth output waveform for compatibility with electronic equipment.

Displaced phase excitation: Maximizes motor starting capability.

Automatic voltage regulation: Regulating output voltage to $\pm 1\%$; prevents damaging voltage spikes.

EPA Certified for non-emergency applications: Allows unit to be used for demand response applications. (14 kW and 18 kW units only.)

UL 2200 Listed: For your safety.

MOBILE LINK® WI-FI CONNECTIVITY

Free with every Honeywell home standby generator.

Ability to view generator status: Monitor your generator with a smartphone, tablet, or computer at any time via the Mobile Link application for complete peace of mind.

Ability to view generator Exercise/Run and Total Hours: Review the generator's complete protection profile for exercise hours and total hours.

Ability to view generator maintenance information: Provides maintenance information for your specific model generator when scheduled maintenance is due.

Monthly report with previous month's activity: Detailed monthly reports provide historical generator information.

Ability to view generator battery information:

Built-in battery diagnostics display current state of the battery.

Weather information: Provides detailed local ambient weather conditions for generator location.

TRANSFER SWITCH

Sold separately.

SYNC™ 3.0 CONTROLS

AUTO/MANUAL/OFF illuminated buttons: Select the operating mode and provide easy, at a glance status indication of any condition.

Two-line plain text multilingual LCD: Provides homeowners easily visible logs of history, maintenance, and events up to 50 occurrences.

Sealed, raised buttons: Smooth, weather-resistant user interface for programming and operations.

Utility voltage sensing: Constantly monitors utility voltage, setpoints 65% dropout, 80% pick-up of standard voltage.

Generator voltage sensing: Constantly monitors generator voltage to ensure the cleanest power delivered to the home.

Utility interrupt delay: Prevents nuisance start-ups of the engine, adjustable 2–1500 seconds from the factory default setting of five seconds by a qualified dealer.

Engine warm-up: Ensures engine is ready to assume the load, setpoint approximately five seconds.

Engine cool-down: Allows engine to cool prior to shutdown, setpoint approximately one minute.

Programmable exerciser: Operates engine to prevent oil seal drying and damage between power outages by running the generator for five minutes every other week. Also offers a selectable setting for weekly or monthly operation, providing flexibility and lower fuel costs to the owner.

Smart battery charger: Delivers charge to the battery only when needed at varying rates depending on outdoor air temperature. Compatible with lead acid and AGM-style batteries.

Electronic governor: Maintains constant 60 Hz frequency.

UNIT

SAE aluminum weather protective enclosure: Sound attenuated enclosure provides quiet operation and weather protection, able to withstand winds up to 150 mph (241 km/h). Hinged key locking roof panel for security. Lift-out front panel for easy access to all routine maintenance items. Electrostatically applied textured epoxy paint for added durability.

Enclosed critical grade muffler: Quiet, critical grade muffler is mounted inside the unit to prevent injuries.

Small, compact, attractive: Makes for an easy, eye appealing installation, as close as 18 in (457 mm) away from a structure.

INSTALLATION SYSTEM

14 in (35.6 cm) flexible fuel line connector: Listed ANSI Z21.75/CSA 6.27 outdoor appliance connector for the required connection to the gas supply piping.

Integral sediment trap: Meets IFGC and NFPA 54 installation requirements.

10/14/18 kW Standby Generator Technical Specifications

GENERATOR	G007179 (10 KW)	G007229 (14 KW)	G007230 (18 KW)
Rated maximum continuous power capacity (LP)	10,000 Watts*	14,000 Watts*	18,000 Watts*
Rated maximum continuous power capacity (NG)	9,000 Watts*	14,000 Watts*	17,000 Watts*
Rated voltage	240		
Rated maximum continuous load current – 240V (LP / NG)	41.7 / 37.5	58.3 / 58.3	75.0 / 70.8
Total Harmonic Distortion	Less than 5%		
Main line circuit breaker	45 amp	60 amp	80 amp
Phase	1		
Number of rotor poles	2		
Rated AC frequency	60 Hz		
Power factor	1.0		
Battery requirement (not included)	12 volts, Group 26R 540 CCA minimum or Group 35AGM 650 CCA minimum		
Unit weight (lb / kg)	338 / 153	385 / 175	420 / 191
Dimensions (L x W x H) (in / cm)	48 x 25 x 29 / 121.8 x 63.8 x 73.2		
Sound output in dB(A) at 23 ft (7 m) with generator operating at normal load**	61	65	65
Sound output in dB(A) at 23 ft (7 m) with generator in WhisperCheck™ low speed exercise	57	55	55
Exercise duration	5 min		
ENGINE			
Engine type	GENERAC G-FORCE 400 SERIES	GENERAC G-FORCE 800 SERIES	
Number of cylinders	1	2	
Displacement	460 cc	816 cc	
Cylinder block	Aluminum w/ cast iron sleeve		
Valve arrangement	Overhead valve		
Lifter type	Solid	Hydraulic	
Ignition system	Solid-state w/ magneto		
Governor system	Electronic		
Compression ratio	9.5:1		
Starter	12 VDC		
Oil capacity including filter	Approx 1.1 qt / 1.0 L	Approx. 2.2 qt / 2.1 L	
Operating rpm	3,600		
Fuel consumption			
Natural gas: ft ³ /hr (m ³ /hr)			
1/2 load	101 (2.86)	195 (5.52)	169 (5.52)
Full load	127 (3.60)	256 (7.25)	247 (6.99)
Liquid propane: ft ³ /hr (gal/hr) [L/hr]			
1/2 load	36 (0.97) [3.66]	66 (1.81) [6.87]	62 (1.70) [6.45]
Full load	54 (1.48) [5.62]	112 (3.07) [11.61]	110 (3.02) [11.44]
Note: Fuel pipe must be sized for full load. Required fuel pressure to generator fuel inlet – 3.5–7.0 in water column (0.87–1.74 kPa) for natural gas, 10–12 in water column (2.49–2.99 kPa) for LP gas. For BTU content, multiply ft ³ /hr x 2,500 (LP) or ft ³ /hr x 1,000 (NG). For Megajoule content, multiply m ³ /hr x 93.15 (LP) or m ³ /hr x 37.26 (NG).			

10/14/18 kW Standby Generator Technical Specifications

CONTROLS	
Two-line plain text multilingual LCD	Simple user interface for ease of operation
Mode buttons: AUTO	Automatic start on utility failure. Weekly, Bi-Weekly, or Monthly selectable exerciser
MANUAL	Start with starter control, unit stays on. If utility fails, transfer to load takes place.
OFF	Stops unit. Power is removed. Controller and charger still operate.
Ready to Run/Maintenance messages	Standard
Engine run hours indication	Standard
Programmable start delay between 2–1500 seconds	Standard (dealer programmable only)
Utility voltage loss/Return to utility adjustable (brownout settings)	From 140–171 V / 190–216 V
Future set capable exerciser/Exercise set error warning	Standard
Run/Alarm/Maintenance logs	50 events each
Engine start sequence	Cyclic cranking: 16 sec on, 7 sec rest (90 sec maximum duration)
Starter lock-out	Starter cannot re-engage until 5 sec after engine has stopped
Smart battery charger	Standard
Charger fault/missing AC warning	Standard
Low battery/battery problem protection and battery condition indication	Standard
Automatic voltage regulation with over and under voltage protection	Standard
Under-frequency/overload/stepper overcurrent protection	Standard
Safety fused/fuse problem protection	Standard
Automatic low oil pressure/high oil temperature shutdown	Standard
Overcrank/overspeed (@ 72 Hz)/rpm sense loss shutdown	Standard
High engine temperature shutdown	Standard
Internal fault/incorrect wiring protection	Standard
Common external fault capability	Standard
Field upgradable firmware	Standard

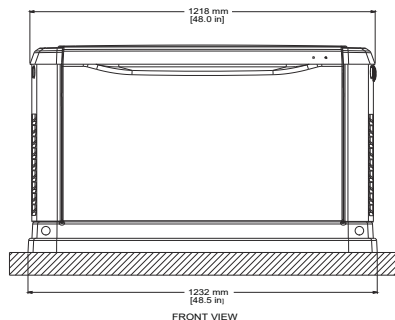
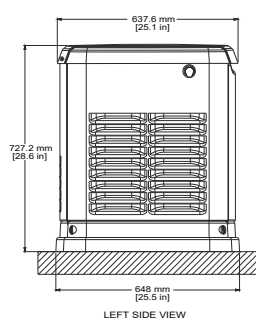
Rating definitions – Optional Standby: Applicable for supplying backup power for the duration of the utility power outage when correct maintenance is performed. No overload capability is available for this rating. (All ratings in accordance with BS5514, ISO3046, UL2200, and DIN6271).

* Maximum kilovolt amps and current are subjected to and limited by such factors as fuel BUT/megajoule content, ambient temperature, altitude, engine power and condition, etc. Maximum power decreases approximately 3.5% for each 1,000 ft (304.8 m) above sea level and approximately 1% for each 10 °F (6 °C) above 60 °F (16 °C). ** Sound levels are taken from the front of the generator. Sound levels taken from other sides of the generator may be higher depending on installation parameters.

10/14/18 kW Standby Generator Available Accessories

MODEL	PRODUCT	DESCRIPTION
G005819-0	26R Wet Cell Battery	Every standby generator requires a battery to start the system. The recommended 26R wet cell battery is for use with all air-cooled standby product..
G007101-0	Battery Pad Warmer	The pad warmer rests under the battery. Recommended for use if the temperature regularly falls below 0 °F (-18 °C). (Not necessary for use with AGM-style batteries.)
G007102-0	Oil Warmer	The oil warmer slips directly over the oil filter. Recommended for use if the temperature regularly falls below 0 °F (-18 °C).
G007103-1	Breather Warmer	The breather warmer is for use in extreme cold weather applications. For use with Sync™ controllers only in climates where heavy icing occurs.
G005621-0	Auxiliary Transfer Switch Contact Kit	The auxiliary transfer switch contact kit allows the transfer switch to lock out a single large electrical load the user may not need.
G006160-0	Touch-Up Paint Kit	If the generator enclosure is scratched or damaged, it is important to touch-up the paint to protect from future corrosion. The paint kit includes the necessary paint to correctly maintain or touch-up a generator enclosure.
G006482-0 – 10 KW G007216-0 – 14/18 KW	Scheduled Maintenance Kit	Scheduled maintenance kits provide all the items necessary to perform complete routine maintenance on a Honeywell automatic standby generator (oil not included).
G007005-0	Wi-Fi® LP Fuel Level Monitor	The Wi-Fi enabled LP fuel level monitor provides constant monitoring of the connected LP fuel tank. Monitoring the LP tank fuel level is an important step in verifying the generator is ready to run during an unexpected power failure. Status alerts are available through a free application to notify the user when the LP fuel tank is in need of a refill.
G007001-0 – 50 AMP G007006-0 – 100 AMP	Smart Management Module	Smart Management Modules (SMM) are used to optimize performance of a standby generator. It manages large electrical loads upon startup and sheds them to aid in recovery when overloaded. In many cases, using SMM's can reduce the overall size and cost of the system..
G007169-0 – 4G LTE G007170-0 – WI-FI/ ETHERNET	Mobile Link® Cellular Accessories	The Mobile Link family of Cellular Accessories allows users to monitor the status of the generator from anywhere in the world, using a smartphone, tablet, or PC. Easily access information such as the current operating status and maintenance alerts. Users can connect an account with an authorized service dealer for fast, friendly, and proactive service. With Mobile Link, users are taken care of before the next power outage.
G007221-0 - DARK GREY	Base Plug Kit	Base plugs snap into the lifting holes on the base of air-cooled home standby generators. This offers a sleek, contoured appearance, as well as offers protection from rodents and insects by covering the lifting holes located in the base. Kit contains four plugs, sufficient for use on a single air-cooled home standby generator.

Dimensions and UPCs



MODEL	UPC
G007179	696471077209
G007229	696471082593
G007230	696471082807

©Generac Power Systems, Inc. All rights reserved.
Specifications subject to change without notice.

Generac Power Systems, Inc.

S45 W29290 Hwy 59
Waukesha, WI. 53187
1.855.GEN.INFO
www.honeywellgenerators.com

The Honeywell trademark is used under license from Honeywell International Inc.
Honeywell International Inc. makes no representation or warranties with respect to this product. This product is manufactured by Generac Power Systems, Inc., Waukesha, WI. 53189.

A0000973580 | Rev B | 03/2022.

Honeywell