

White-Rodgers Wholesale Catalog



COPELAND

sen | si

WHITE-RODGERS™

Pro Contractor Branding

Your company info in sight, right when your customers need it.



Copeland knows that a name is important. That's why we offer custom contractor branding for your HVACR professionals. Available as a thermostat imprint or in-app branding for Sensi™ thermostats, **Contractor Branding** makes it possible to stay directly connected with homeowners.



Contact Information

White-Rodgers

Headquarters:

(314)-553-3600
8100 West Florissant Ave
St. Louis, MO 63136-9022
Fax: 800-274-9797

Customer & Technical Service:

(888)-725-9797

Sensi™ Support:

(888)-605-7131

Website:

WHITE-RODGERS.COM

Email:

WR.wholesale.mail@copeland.com

Canada Contact Information:

145 Sherwood Drive
Brantford, ON
N3T 1N8 Canada
Ph: (519) 756-6157
Email: wrsales.canada@copeland.com

Key Websites:

White-Rodgers: WHITE-RODGERS.COM

Sensi: sensi.copeland.com

White-Rodgers Cross Reference: wrcrossref.com

Pro Contractor Branding: procontractorbranding.com

Sensi Partner Program: sensipartnerprogram.com

Contractor Rewards: copeland.com/contractorrewards

Wholesaler Resource Site: copeland.com/wrresources

White-Rodgers Mobile App

Answers at your fingertips, with your smartphone or tablet.

- ✓ Latest cross reference
- ✓ Installation instructions
- ✓ Spec sheets
- ✓ Product selection



Visit the web version of WRMobile at: wrcrossref.com

TABLE OF CONTENTS

THERMOSTATS

SENSI™ LITE SMART THERMOSTAT.....	12
SENSI™ TOUCH 2 SMART THERMOSTAT	13
SENSI™ ROOM SENSORS.....	14
SENSI™ TOUCH SMART THERMOSTAT	15
SENSI™ SMART THERMOSTAT.....	16
BLUE™ SERIES 12" TOUCHSCREEN THERMOSTATS	17
BLUE™ SERIES 6" THERMOSTATS.....	18
BLUE™ SERIES 2" THERMOSTATS.....	19
80 SERIES™ THERMOSTATS	20
CLASSIC 80 SERIES™ THERMOSTATS.....	21
70 SERIES™ THERMOSTATS	22
CLASSIC 70 SERIES™ THERMOSTATS.....	23
STANDARD MECHANICAL THERMOSTATS.....	24
ECONOMY MECHANICAL THERMOSTATS.....	25
1E65 LINE VOLTAGE DIGITAL THERMOSTATS.....	26
LINE VOLTAGE BASEBOARD THERMOSTATS - HYDRAULIC	27
LINE VOLTAGE BASEBOARD THERMOSTATS - BIMETAL	28
LIGHT & HEAVY DUTY LINE VOLTAGE THERMOSTATS.....	29
1A11-2 FAN COIL THERMOSTAT.....	30
LINE VOLTAGE STEEL CASE THERMOSTATS FOR HEATING & COOLING.....	30
REMOTE SENSORS FOR 24V THERMOSTATS.....	31
THERMOSTAT GUARDS - PLASTIC	32
THERMOSTAT GUARDS - METAL.....	33
THERMOSTAT PARTS AND ACCESSORIES	34

ELECTRONIC FURNACE CONTROLS

UNIVERSAL INTEGRATED FURNACE CONTROLS	37
DIRECT OEM REPLACEMENT INTEGRATED FURNACE CONTROLS.....	38
NON-INTEGRATED IGNITION MODULES	39
AIR HANDLER AND TIME DELAY CONTROLS.....	40
UNIVERSAL FURNACE ELECTRONIC FAN TIMER	40
COMMERCIAL ROOFTOP AND PACKAGE UNIT.....	41

GAS VALVES

36C SERIES UNIVERSAL STANDING PILOT.....	42
36C SERIES HSI / DSI / INTERMITTENT / PROVEN PILOT.....	44
36C CYCLE PILOT GAS VALVES	45
36H SERIES HSI / DSI /INTERMITTENT / PROVEN PILOT	50
36G / J SERIES HSI / DSI / INTERMITTENT / PROVEN PILOT.....	52
764 GAS PILOT SAFETY FIREPLACE VALVES.....	55
25M GAS DRYER VALVES & COILS	56
2500 SERIES REPLACEMENT GAS VALVE COILS.....	56

HSI IGNITORS

HOTROD™ SERIES UNIVERSAL NITRIDE IGNITOR UPGRADES	57
DIRECT OEM REPLACEMENT 80V AND 120V NITRIDE IGNITORS	58
DIRECT OEM REPLACEMENT 120V CARBIDE IGNITORS	60

THERMOCOUPLES / GENERATORS

H06 SERIES UNIVERSAL 30 MV THERMOCOUPLES	63
750 MV THERMOPILE GENERATORS	64
PG9 SERIES 750 MV GENERATORS & PILOT BURNERS	64

FLAME SENSORS / ELECTRODES

790 SERIES UNIVERSAL FLAME SENSOR	65
790 SERIES DIRECT OEM FLAME SENSORS	65
FLAME SENSORS & ELECTRODES.....	66
DIRECT OEM REPLACEMENT PREMIUM PILOT BURNER ASSEMBLY	68

WARM AIR FAN CONTROLS / SNAP DISC FAN AND LIMITS

5D51 SERIES PLENUM MOUNT BIMETAL FAN & LIMIT CONTROLS.....	69
SNAP DISC FIXED TEMPERATURE BOARD MOUNT LIMITS.....	70
SNAP DISC MANUAL RESET FLAME ROLLOUT LIMITS	74
SNAP DISC FIXED TEMPERATURE FAN LIMITS	75
SNAP DISC ADJUSTABLE TEMPERATURE FAN LIMITS	77
SNAP DISC AUTOMATIC RESET FAN LIMITS.....	78
230-22 FAN CONTROL	79
775-1 ATTIC FAN CONTROL	80
770 SERIES DUAL PURPOSE AIR SWITCH	80

ELECTRIC HEAT CONTROLS

24A34 SERIES ELECTRIC HEAT SEQUENCERS.....	81
LEVEL-TEMP CONTROL FOR ELECTRIC HEAT	83

WATER HEATER CONTROLS

750 SERIES ELECTRIC WATER HEATER CONTROLS.....	84
37C SERIES GAS HOT WATER HEATER CONTROLS.....	85
37E SERIES INTELLI-VENT™ CONTROLS.....	86
INTEGRATED WATER HEATER CONTROL	86
GAS WATER HEATER CONTROL.....	87

HYDRONIC ZONE VALVES

1300 SERIES HYDRONIC ZONE VALVES	88
CANADA "Z" SERIES.....	91
AUTOMATIC CHANGEOVER SWITCH.....	92
1100 SERIES WELL IMMERSION TEMPERATURE CONTROLS.....	93
IMMERSION WELLS & PACKING NUTS	94
1100 SERIES STRAP-ON STYLE TEMPERATURE CONTROLS	95

TABLE OF CONTENTS

RELAYS & TRANSFORMERS

90-112 THRU 90-130 FAN CONTROL CENTER	96
90-340 THRU 90-342 RELAYS	97
8A05A RELAY & TRANSFORMER COMBINATIONS	98
90-290Q THRU 90-295Q RELAYS	99
90-360 THRU 90-486 RELAYS	100
90-T SERIES ENERGY LIMITING 24 VAC TRANSFORMERS	101
S82 & S84 ENERGY LIMITING 24 VAC TRANSFORMERS	102

D.C. POWER SOLENOIDS

TYPE 70 SERIES D.C. POWER SOLENOIDS	103
TYPE 120 SERIES D.C. POWER SOLENOIDS	104
TYPE 124 SERIES D.C. POWER SOLENOIDS	105
TYPE 586 SERIES D.C. POWER SOLENOIDS	106
250RA SERIES REFRIGERANT SOLENOID VALVES	107

MEDIA AIR CLEANERS

MEDIA FILTER CROSS REFERENCE	110
------------------------------------	-----

A/C & DEFROST CONTROLS

UNIVERSAL HEAT PUMP DEFROST CONTROL	113
A/C, HEAT PUMP AND DEMAND DEFROST CONTROLS	113

CONTACTORS

SURESWITCH™ MULTI-VOLT UNIVERSAL CONTACTOR	114
94 SERIES 1.5 POLE MECHANICAL CONTACTORS	115
90 SERIES 2 POLE MECHANICAL CONTACTORS	116
90 SERIES 3 POLE MECHANICAL CONTACTORS	117

EVAPORATIVE COOLING

EVAPORATIVE COOLING THERMOSTAT AND CONTROL	118
--	-----

THERMOSTATIC EXPANSION VALVES

EXPANSION VALVES QUICK SELECTION GUIDE	119
A-SERIES THERMOSTATIC EXPANSION VALVES	120
AFA SERIES THERMOSTATIC EXPANSION VALVES	125
NXT SERIES THERMOSTATIC EXPANSION VALVES	128
TXV CONNECT KITS THERMOSTATIC EXPANSION VALVES	130
HF SERIES THERMOSTATIC EXPANSION VALVES	131
TX7 SERIES THERMOSTATIC EXPANSION VALVES	142
TRAE SERIES THERMOSTATIC EXPANSION VALVES	144
T-SERIES TAKE-APART THERMOSTATIC EXPANSION VALVES	147

THERMOSTATIC EXPANSION VALVES <CONT'D>

TLE SERIES THERMOSTATIC EXPANSION VALVES	152
TI SERIES THERMOSTATIC EXPANSION VALVES.....	154
ZZ SERIES THERMOSTATIC EXPANSION VALVES	155
LCL SERIES DESUPERHEATING VALVES	157
ACP AUTOMATIC VALVES	160

THERMOSTATIC EXPANSION VALVE CAPACITY TABLES

CONVENTIONAL PORTED VALVE CAPACITY TABLES	162
BALANCED PORTED VALVE CAPACITY TABLES.....	176

ELECTRONIC EXPANSION VALVES & CONTROLS

EX4-EX8 SERIES ELECTRICAL CONTROL VALVES	197
EXD-SH1 & EXD-SH2 SERIES TEMPERATURE & SUPERHEAT CONTROLLERS & KITS.....	199
EXD-U02 UNIVERSAL DRIVER MODULE	201
PRESSURE TRANSMITTERS.....	202

ELECTRONIC EXPANSION VALVES CAPACITY TABLES

ELECTRONIC EXPANSION VALVES CAPACITY TABLES.....	203
--	-----

REFRIGERANT SOLENOID VALVES

REFRIGERANT SOLENOID VALVES QUICK SELECTION GUIDE	222
100RB SERIES REFRIGERANT SOLENOID VALVES	223
200RB SERIES REFRIGERANT SOLENOID VALVES	225
200RC SERIES REFRIGERANT SOLENOID VALVES	229
250RA SERIES REFRIGERANT SOLENOID VALVES.....	231
500RB SERIES REFRIGERANT SOLENOID VALVES	234
540RA SERIES REFRIGERANT SOLENOID VALVES.....	236
SOLENOID MULTI-PURPOSE TOOL	238

SOLENOID COILS

COILS FOR SOLENOID VALVES.....	239
--------------------------------	-----

REFRIGERANT SOLENOID CAPACITY TABLES

REFRIGERANT SOLENOID CAPACITY TABLES	241
--	-----

INDUSTRIAL SOLENOID VALVES

INDUSTRIAL SOLENOID VALVES	258
202CB SERIES INDUSTRIAL SOLENOID VALVES.....	259
203CA SERIES INDUSTRIAL SOLENOID VALVES	260
204CD SERIES INDUSTRIAL SOLENOID VALVES	261
210CA / 211CA SERIES INDUSTRIAL SOLENOID VALVES.....	262
214CB SERIES INDUSTRIAL SOLENOID VALVES.....	264
222CB SERIES INDUSTRIAL SOLENOID VALVES.....	265

TABLE OF CONTENTS

FILTER DRIERS

FILTER DRIER QUICK SELECTION GUIDE	267
EK SERIES HERMETIC LIQUID LINE FILTER DRIERS	268
ADK SERIES HERMETIC LIQUID LINE FILTER DRIERS	272
BFK SERIES HERMETIC LIQUID LINE BI-DIRECTIONAL FILTER DRIERS.....	275
BUILDER SERIES HERMETIC FILTER DRIERS	277
BOK SERIES HERMETIC LIQUID LINE FILTER DRIERS	278
CU SERIES SPUN COPPER HERMETIC LIQUID LINE FILTER DRIERS.....	280
ALF SERIES HERMETIC LIQUID LINE FILTERS.....	281
STAS SERIES TAKE-APART LIQUID AND SUCTION FILTER DRIERS.....	282
ADKS SERIES TAKE-APART LIQUID & SUCTION LINE FILTERS DRIERS	285
FILTER DRIER CORES AND FILTERS FOR TAKE-APART SHELLS	286
BTAS SERIES TAKE-APART SUCTION LINE FILTER DRIERS.....	288
ASD SERIES PREMIUM HERMETIC SUCTION LINE FILTER DRIERS	290
SFD SERIES HERMETIC SUCTION LINE FILTER DRIERS.....	291
CSFD SERIES HERMETIC COMPACT SUCTION LINE FILTER DRIERS.....	292
ASK SERIES HERMETIC SUCTION LINE FILTER DRIERS	293
ASF SERIES HERMETIC SUCTION LINE FILTERS.....	294

MOISTURE INDICATORS

HMI SERIES HERMETIC MOISTURE INDICATORS.....	301
AMI SERIES TAKE-APART MOISTURE INDICATORS	303
A-IHL SERIES MOISTURE INDICATORS	305

MUFFLERS & ACCUMULATORS

APD SERIES PULSATION DAMPENER / MUFFLER	306
A-AS SERIES SUCTION ACCUMULATORS	307

SHUT OFF VALVES

BV SERIES BALL VALVES.....	308
BVSS SERIES BALL VALVES	309
ACK SERIES CHECK VALVE.....	310

OIL CONTROLS

A-FC / A-WC HIGH EFFICIENCY CENTRIFUGAL OIL SEPARATOR.....	311
A-F / A-W / A-WZ SERIES OIL SEPARATORS	313
A-FL ULTRA HIGH PERFORMANCE COALESCENT OIL SEPARATOR	315
AOR SERIES OIL RESERVOIRS	316
AOF / AOFD SERIES HIGH EFFICIENCY OIL FILTERS / DRIERS.....	317
OMB / OMC SERIES OIL MANAGEMENT CONTROL.....	318
W-OLC SERIES MECHANICAL OIL LEVEL CONTROL	320
OIL MANAGEMENT CONTROL ADAPTERS	321
DCFM CHARGE CALCULATIONS	322

TABLE OF CONTENTS

REFRIGERATION TEMPERATURE CONTROLS

16E DIGITAL REFRIGERATION TEMPERATURE CONTROL.....	324
1600 SERIES REFRIGERATION TEMPERATURE CONTROLS.....	325
200 SERIES REFRIGERATION TEMPERATURE CONTROLS.....	326

PRESSURE CONTROLS

PS1 SERIES PRESSURES SWITCH SINGLE CONTROL.....	327
PS2 SERIES PRESSURE SWITCH DUAL CONTROL.....	328
PSC SERIES MINI PRESSURE CONTROL	329
FD113-ZUK OIL PRESSURE SAFETY	331
FSY SERIES ELECTRIC FAN SPEED CONTROL.....	332

GENERAL INFORMATION

A GUIDE TO THE WHITE-RODGERS NUMBERING SYSTEM	333
ELECTRIC & GAS CONVERSION & CAPACITY TABLES.....	334
FULL ELECTRICAL RATINGS OF WHITE-RODGERS CONTROLS	335

Meet Sensi Smart Thermostats



A BRAND YOU CAN TRUST

Sensi smart thermostats from Copeland are designed with both the homeowner and contractor in mind. Backed by 100+ years of HVAC expertise, we're committed to creating reliable HVAC solutions that are easy to install and provide superior customer satisfaction.

DESIGNED FOR CONTRACTORS

Connect every Sensi you install directly to your company. Generate loyal customers when they need service with your contact information on:

- Usage reports
- Maintenance reminders
- Smart alerts
- In-app contractor branding



EASY TO INSTALL & CONNECT

Featuring in-app instructions, built-in level, standard thermostat footprint and easy wi-fi setup.

PRIVACY PROTECTION

Sensi smart thermostats are engineered to protect privacy—giving consumers full control of their home's comfort with the peace of mind their smart thermostat's data is secure.

SMART ALERTS

Notifies customers of extreme temperature and humidity levels.

HUMIDITY CONTROL

Help homeowners stay comfortable with humidification/dehumidification control.

REMOTE ACCESS

The Sensi mobile app for iOS and Android gives homeowners total on-the-go access to adjust the thermostat from anywhere, anytime.

SAVE ABOUT 23% ON HVAC ENERGY¹

By adjusting the temperature using flexible scheduling, remote access, and geofencing, Sensi customers save about 23% on HVAC energy usage.

USAGE REPORTS

Monitor current day and historical heating, cooling and fan runtimes right in the app.

CIRCULATING FAN

Helps maximize comfort and balance temperature throughout your home by increasing air circulation.

KEYPAD LOCKOUT & TEMPERATURE LIMITS

Maintain total control by setting temperature limits and disabling changes by others at the thermostat

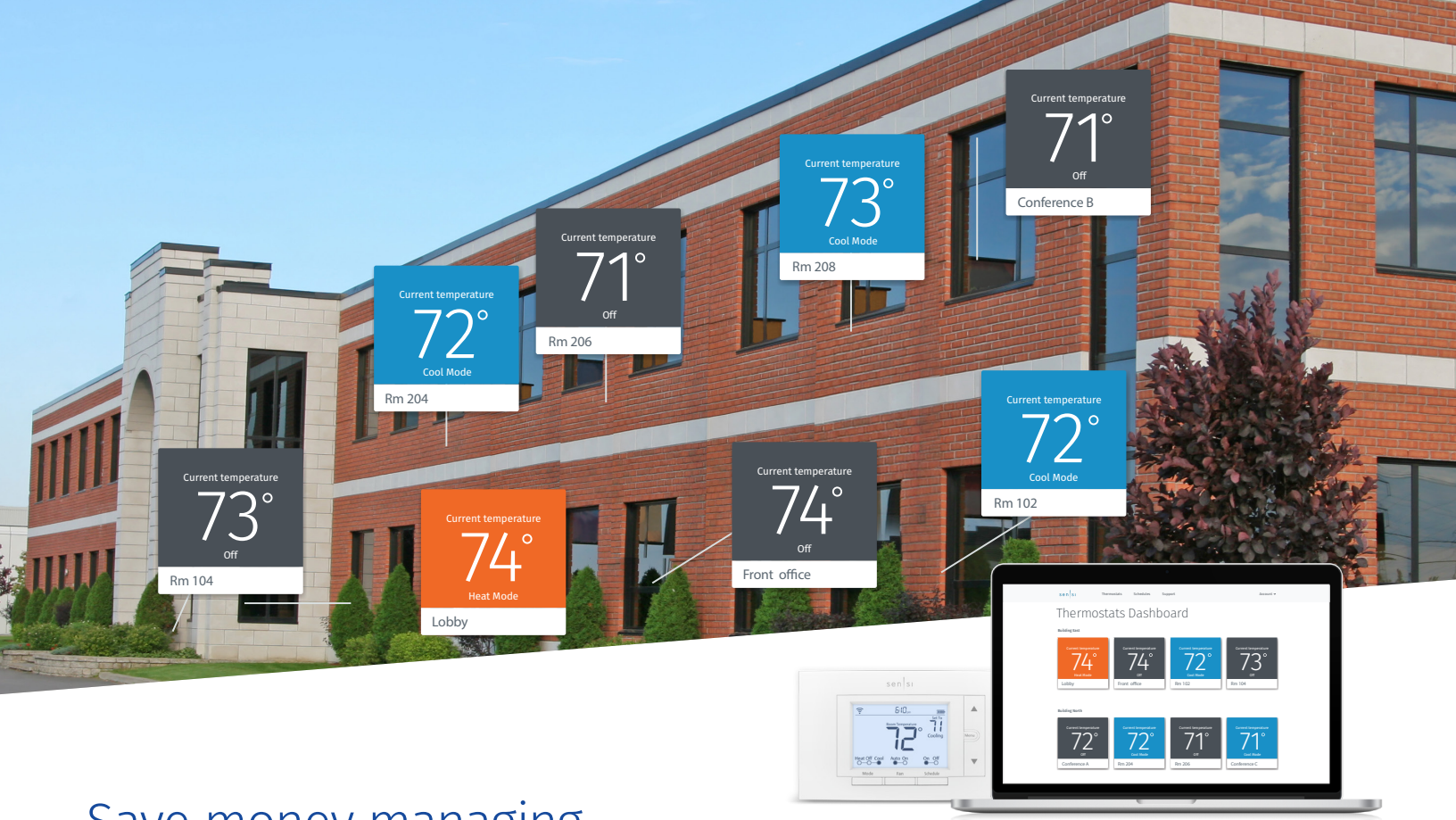
SMART HOME COMPATIBLE

Compatible with smart home platforms Amazon Alexa, the Google Assistant, Apple HomeKit and SmartThings.

The Sensi app stores your contact information so when your customer needs service, you're just a tap away. Register at

sensiregistration.com

¹ Energy savings are calculated by comparing operation time for a nationwide sample of Sensi users with temperature adjustments averaging 4° in comparison to users with no adjustments. Savings vary based on equipment type/condition, insulation, climate & temperature adjustment size/frequency.



Save money managing thermostats from one simple portal.

Now you can manage your facility's energy usage through one central dashboard. With Sensi Manager, control the comfort of every room at your fingertips.

Group scheduling with batch operations

Easily consolidate and customize settings across multiple thermostats by grouping and sorting.

Temperature limits

Provide a range of temperatures to end users to prevent misuse of the HVAC system.

Quick schedule creation

Create and adjust schedules for single or groups of thermostats from anywhere.

Custom keypad lockout

Maintain total control of each thermostat by selecting which buttons are locked or unlocked.

THE POWER OF SIMPLICITY, RIGHT AWAY.

Getting started is easy. Just buy and install the Sensi thermostats you need and select the Sensi Manager payment plan that fits you and your business.

Monthly

\$1.50
per thermostat

Yearly

\$15
per thermostat

CATALOG

Receive a FREE 90 Day Trial of Sensi Manager

Visit Manager.SensiComfort.com and enter promo code **Catalog** to start your free trial.



1F76U-22WFB



SENSI™ LITE SMART THERMOSTAT

Everything your customers are looking for in a smart thermostat - energy savings, modern design and lasting quality. Smart has never been so easy.

FEATURES

- Quick and simple installation. No common wire required with most systems.
- Familiar and intuitive controls.
- Your customers usage activity and personal data stays private.
- Aids in monitoring the effectiveness and efficiency of your customers' HVAC systems by providing valuable usage reports, equipment alerts, and maintenance reminders such as filter replacements.
- Top rated mobile app gives customers total on-the-go access to adjust their thermostat from anywhere, anytime.
- ENERGY STAR certified. Check for eligible utility rebates at sensi.Copeland.com/rebates
- Saves about 23% of HVAC energy by adjusting the temperature using flexible scheduling, remote access and geofencing.
- Geofencing allows temperatures to change automatically based on the location of the homeowner's smartphone.
- Sensi easily integrates with popular smart home platforms including Amazon Alexa, Google Assistant and Samsung SmartThings.

SPECIFICATIONS

Electrical Rating Hardwire.....	20 to 30 VAC, 50/60 Hz
Electrical Rating Battery Power.....	N/A
Terminal Load	1.5 Amps per terminal, 2.5 Amps maximum (all terminals combined)
Set-point Range	45 to 99°F (7 to 37°C)
Heat Differential (Conventional / Gas / Oil / Elec)	Fast 0.5°F, Med. 0.75°, Slow 1.9°F
Cool Differential (Central Air)	Fast 0.9°F, Med. 1.2°, Slow 1.7°F
Heat Pump Differential (Heat and Cool)	Fast 0.9°F, Med. 1.2°, Slow 1.7°F
Aux. Heat Differential	Fast 0.5°F, Med. 0.75°, Slow 1.9°F
Operating Humidity.....	0%-90% RH non-condensing max.
Dimensions.....	5.6 in. L X 3.25 in. H X .77 in. D
Storage Temperature Range.....	-20 to 150°F (-29 to 65°C)

PARTS AND ACCESSORIES

DESCRIPTION	MODEL NUMBER	ITEM NUMBER
Wallplate (Black) 7" W X 4.6" H X 0.24" D	SA6B	SA6B
Wallplate (White) 7" W X 4.6" H X 0.24" D	SA6W	SA6W
Thermostat Guard - Clear Plastic	F29-0198	F29-0198

UNIVERSAL – 2 HEAT/1 COOL OR 1 HEAT/2 COOL SENSI LITE WI-FI THERMOSTAT

PROGRAMS		STAGES BY SYSTEM			SYSTEM TYPE	MODEL NUMBER	ITEM NUMBER	APPLICATIONS						POWER SOURCE	SELECTABLE PERFORMANCE FEATURES						AVAILABLE CONNECTIONS	
Program Options	Periods Per Day Options	Single Stage Heat / Cool	Multi-Stage Heat / Cool	Heat Pump Heat / Cool	Universal / Single Stage / Multi-Stage / Heat Pump ¹			Gas / Oil / Electric	3 Wire Zone Valve	Milivolt Compatible	Economizer	Humidity Control	Dual Fuel Heat Pump Control Logic (L) Outdoor Sensor (O)	Remote Sensor Options Indoor (I) Outdoor (O)	Battery (B) Hardwire / Common (H) / Power Sharing (PS)	Auto Changeover	Programmable Fan (PF) Comfort Circulating Fan (CC)	Filter Change Reminder	Energy Mgt. Recovery / Early Start	Total Keypad Lockout (T) Partial Keypad Lockout (P)	Set-Point Temperature Limits Adjustable Max / Min	Display Size, Backlight with Key Press (K) Continuous Backlight with Common (C)
7, NP	8 Max	1/1	2/1 or 1/2	2/1	Universal Sensi Lite	1F76U-22WFB	1F76U-22WFB	√	√	—	—	L	—	H, PS	√	CC	√	√	T	√	2.3" LCD	R, C, W/E, G, Y, O/B*

¹ Universal thermostats provide the flexibility to control Single Stage, Multi-Stage, or Heat Pump systems.



1F96U-42WF



1F96U-42WFB



SENSI ROOM SENSORS

Sensi room sensors are designed to remotely monitor temperature and humidity in different rooms of your home. Sensors are sold separately.

SENSI™ TOUCH 2 SMART THERMOSTAT

Meet the next evolution of smart thermostats by Copeland. With a new modern design, glass LCD touchscreen, enhanced user experience and compatibility with room sensors, this thermostat proves why Sensi smart thermostats are top rated by consumers.

FEATURES

- **WORKS WITH ROOM SENSORS:** Compatible with Sensi Room Sensors to balance temperatures throughout your customer's home (sold separately).
- **EASY INSTALLATION:** Step-by-step instructions and a traditional footprint makes install easy, no painting or patching needed.
- **CONTRACTOR BRANDING:** Add your information on the thermostat sleep screen and in your customer's app, to make sure you stay top of mind.
- **ACCESSORY TERMINALS:** Dedicated accessory terminals designed for humidifiers.
- **SMART MAINTENANCE:** Sensi can help monitor the performance and efficiency of your customer's HVAC system by delivering valuable usage reports, alerts about their equipment, and maintenance reminders like filter replacement.
- **SMART HOME COMPATIBLE:** Sensi easily integrates with popular smart home platforms including Amazon Alexa, Google Assistant and Samsung SmartThings.

SPECIFICATIONS

Electrical Rating Hardwire.....	30 Vac, NEC Class II, 50/60 Hz
Electrical Rating Battery Power.....	N/A
Terminal Load	1.5 Amps per terminal, 2.5 Amps maximum (all terminals combined)
Set-point Range	45 to 99°F (7 to 37°C)
Heat Differential (Conventional / Gas / Oil / Elec)	Fast 0.5°F, Med. 0.75°, Slow 1.9°F
Cool Differential (Central Air)	Fast 0.9°F, Med. 1.2°, Slow 1.7°F
Heat Pump Differential (Heat and Cool)	Fast 0.9°F, Med. 1.2°, Slow 1.7°F
Aux. Heat Differential	Fast 0.5°F, Med. 0.75°, Slow 1.9°F
Operating Humidity.....	0%-90% RH non-condensing max.
Dimensions.....	5.6 in. L X 3.25 in. H X .77 in. D
Storage Temperature Range.....	-40 to 150°F (-40 to 65°C)
Requires Common Wire.....	Yes

PARTS AND ACCESSORIES

DESCRIPTION	MODEL NUMBER	ITEM NUMBER
Room Sensor - 1 pack	RS01-SG	RS01-SG
Room Sensor - 3 pack	RS01-SGB3	RS01-SGB3
Thermostat Guard - Clear Plastic	F29-0198	F29-0198
Wallplate (White) 6.75"W X 4.5"H	SA6W	SA6W
Wallplate (Black) 6.75"W X 4.5"H	SA6B	SA6B
Thermostat Common Wire Kit	SA11	SA11

UNIVERSAL – 4 HEAT / 2 COOL SENSI TOUCH 2 SMART THERMOSTAT

PROGRAMS	STAGES BY SYSTEM	SYSTEM TYPE	MODEL NUMBER	ITEM NUMBER	APPLICATIONS							POWER SOURCE	SELECTABLE PERFORMANCE FEATURES						AVAILABLE CONNECTIONS			
					Gas / Oil / Electric	3 Wire Zone Valve	Millivolt Compatible	Economizer	Humidity Control	Dual Fuel Heat Pump Control Logic (L)	Outdoor Sensor (O)		Remote Sensor Options Indoor (I) / Outdoor (O)	Battery (B) / Hardwire / Common (H) / Power Sharing (PS)	Auto Changeover	Programmable Fan (PF) / Comfort Circulating Fan (CC)	Filter Change Reminder	Energy Mgt. Recovery / Early Start		Total Keypad Lockout (T) / Partial Keypad Lockout (P)	Set-Point Temperature Limits Adjustable Max / Min	Display Size, Backlight with Key Press (K) / Continuous Backlight with Common (C)
7, NP, Geo	8 Max	1/1 2/2 4/2	Universal Sensi Touch 2	1F96U-42WF	1F96U-42WF	√	√	—	—	—	H, D	L	I	H	√	CC	√	√	T	√	4.3" Color	RC, RH, C, W/E, W2,Y, Y2, O/B, G, ACC+, ACC-
7, NP, Geo	8 Max	1/1 2/2 4/2	Universal Sensi Touch 2	1F96U-42WFB	1F96U-42WFB	√	√	—	—	—	H, D	L	I	H	√	CC	√	√	T	√	4.3" Color	RC, RH, C, W/E, W2,Y, Y2, O/B, G, ACC+, ACC-

1 Universal thermostats provide the flexibility to control Single Stage, Multi-Stage, or Heat Pump systems.



RS01-SG (1-Pack)
RS01-SG3 (3-Pack)

SENSI™ ROOM SENSORS

Sensi room sensors are designed to remotely monitor and control temperatures in different rooms of your home. When paired with the Sensi Touch 2 smart thermostat, room sensors can prioritize temperatures where you need it most while also helping to reduce hot and cold spots.

Features

- Control the temperature where you need it most.
- Choose to average your temperature settings across all sensors and thermostat to help reduce hot and cold spots.
- View room temperatures and humidity levels across your home.
- No wires needed. Use the stand or mount directly on a wall.
- Sensi room sensors are only compatible with the Sensi Touch 2 smart thermostat.
- Connect and manage up to 15 Sensi room sensors with the Sensi Touch 2.

Specifications

Product Dimensions Without Stand	2.4 in. L X 2.4 in. H X .75 in. D
Product Dimensions With Stand	2.4 in. L X 2.8 in. H X 1.2 in. D
Compatibility	Sensi Touch 2 Smart Thermostat
Max Sensors Per Thermostat	15
Power Source.....	2 AAA Batteries
Battery Life	Up to 2 Years
Warranty	3 Years

Accessory - Sensi Room Sensor

Compatibility	Remote Sensor Options, Indoor (I), Outdoor (O)	Dimensions	Weight	Color	Material	MODEL NUMBER	ITEM NUMBER	Mounting Type	Hardware Included	Range	Battery (B) Hardwire / Common (H) Power Sharing (PS)	Batteries Included	Power Source	Battery Life	Warranty
Sensi Touch 2 smart thermostat	I	2.4"W x 2.4"H x .75"D (sensor only) 2.4"W x 2.8"H x .75"D (with stand)	1.97 oz. (sensor only) 2.26 oz. (with stand)	White	Plastic	RS01-SG	RS01-SG	Wall / Stand	✓	Approx 100 ft.	B	✓	AAA Batt.	Up to 2 Years	3 Years



1F95U-42WF



1F95U-42WFB



1F95U-42WFS



SENSI™ TOUCH SMART THERMOSTAT

Connect to comfort with Sensi Smart Thermostats - Anytime, Anywhere.

FEATURES

- HD color touchscreen display features easy to read temperatures and intuitive menus.
- Easy to install with easy-click terminals and built in level & easy to connect to Wi-Fi with step-by-step guide in the app.
- Contractor-On-Call feature stores your contact information so when your customer needs service, you're just a tap away. Sign up at sensiregistration.com
- Provides multiple thermostat control for easy management for schools and light commercial applications.
- Smart alerts notify homeowners of extreme temperature and humidity levels.
- Controls humidification and dehumidification
- Circulating fan: Helps maximize comfort and balance temperature throughout your home by increasing air circulation.
- ENERGY STAR Certified and Title 24 compliant. Check for eligible utility rebates at Sensi.Copeland.com/rebates
- Saves about 23% of HVAC energy by adjusting the temperature using flexible scheduling, remote access and geofencing.
- Geofencing allows temperatures to change automatically based on the location of the homeowner's smartphone.
- Integrates directly with smart home platforms including Amazon Alexa, the Google Assistant, Apple HomeKit and Samsung SmartThings.

PARTS AND ACCESSORIES

DESCRIPTION	MODEL NUMBER	ITEM NUMBER
Thermostat Guard Clear Plastic	F29-0198	F29-0198
Wallplate (White) 6.75"W X 4.5"H	F61-2689	F61-2689
Wallplate (Black) 6.75"W X 4.5"H	SA5B	SA5B
Wallplate (Silver) 6.75"W X 4.5"H	SA5S	SA5S
Thermostat Common Wire Kit	SA11	SA11

SPECIFICATIONS

Electrical Rating Hardwire 30 VAC, NEC Class II, 50/60 Hz
 Electrical Rating Battery Power N/A
 Terminal Load..... 1.5 Amps per terminal, 2.5 Amps maximum (all terminals combined)
 Set-point Range..... 45 to 99°F (7 to 37°C)
 Heat Differential (Conventional / Gas / Oil / Elec).....Fast 0.5°F, Med. 0.75°, Slow 1.9°F
 Cool Differential (Central Air).....Fast 0.9°F, Med. 1.2°, Slow 1.7°F
 Heat Pump Differential (Heat and Cool).....Fast 0.9°F, Med. 1.2°, Slow 1.7°F
 Aux. Heat DifferentialFast 0.5°F, Med. 0.75°, Slow 1.9°F
 Operating Humidity0%-90% RH non-condensing max.
 Dimensions 5.63"W X 3.38"H X 1.00"D
 Storage Temperature Range -40 to 150°F (-40 to 65°C)

UNIVERSAL - 4 HEAT / 2 COOL SENSI TOUCH WI-FI THERMOSTAT

PROGRAMS	STAGES BY SYSTEM			SYSTEM TYPE	MODEL NUMBER	ITEM NUMBER	APPLICATIONS				POWER SOURCE	SELECTABLE PERFORMANCE FEATURES						AVAILABLE CONNECTIONS					
	Periods Per Day Options	Single Stage Heat / Cool	Multi-Stage Heat / Cool				Heat Pump Heat / Cool	Gas / Oil / Electric	3 Wire Zone Valve	Millivolt Compatible		Economizer	Humidity Control	Dual Fuel Heat Pump Control Logic (L) Outdoor Sensor (O)	Remote Sensor Options Indoor (I) Outdoor (O)	Battery (B) Hardwire / Common (H) Power Sharing (PS)	Auto Changeover		Programmable Fan (PF) Comfort Circulating Fan (CC)	Filter Change Reminder	Energy Mgt. Recovery / Early Start	Total Keypad Lockout (T) Partial Keypad Lockout (P)	Set-Point Temperature Limits Adjustable Max / Min
7, NP, Geo	8 Max	1/1	2/2	4/2	Univrsl. Sensi Touch	1F95U-42WF (White) 1F95U-42WFB (Black) 1F95U-42WFS (Silver)	1F95U-42WF (White) 1F95U-42WFB (Black) 1F95U-42WFS (Silver)	√	√	—	—	H, D	L	—	H	√	CC	√	√	T	√	4.3" Color	RC, RH, C, W/E, W2/*, Y, Y2/*, O/B/6, G, L
7, NP, Geo	8 Max	1/1	2/2	4/2	Univrsl. Sensi Touch	1F95U-42WFC (White) 1F95U-42WFCB (Black) 1F95U-42WFSC (Silver)	1F95U-42WFC (White) 1F95U-42WFCB (Black) 1F95U-42WFSC (Silver)	√	√	—	—	H, D	L	—	H	√	CC	√	√	T	√	4.3" Color	RC, RH, C, W/E, W2/*, Y, Y2/*, O/B/6, G, L

¹ Universal thermostats provide the flexibility to control Single Stage, Multi-Stage, or Heat Pump systems. * Indicates Canadian Model Number: Call 1-800-305-6953 to order.



1F87U-42WF



SENSI™ SMART THERMOSTAT

Connect to comfort with Sensi Smart Thermostats - Anytime, Anywhere.

FEATURES

- Easy to install with built in level. No common wire (c-wire) required for most installations.
- Easy to connect to Wi-Fi with step-by-step guide in the Sensi app.
- Contractor-On-Call feature stores your contact information so when your customer needs service, you're just a tap away. Sign up at sensiregistration.com
- Provides multiple thermostat control for easy management for schools and light commercial applications.
- Smart alerts notify homeowners of extreme temperature and humidity levels.
- Controls humidification and dehumidification
- Circulating fan: Helps maximize comfort and balance temperature throughout your home by increasing air circulation.
- ENERGY STAR Certified and Title 24 compliant. Check for eligible utility rebates at Sensi.Copeland.com/rebates
- Saves about 23% of HVAC energy by adjusting the temperature using flexible scheduling, remote access and geofencing.
- Geofencing allows temperatures to change automatically based on the location of the homeowner's smartphone.
- Integrates directly with smart home platforms including Amazon Alexa, the Google Assistant, Apple HomeKit and Samsung SmartThings.

PARTS AND ACCESSORIES

DESCRIPTION	MODEL NUMBER	ITEM NUMBER
Thermostat Guard Clear Plastic	F29-0198	F29-0198
Wallplate 6.75"W X 4.5"H	F61-2689	F61-2689
Thermostat Common Wire Kit	SA11	SA11

SPECIFICATIONS

Electrical Rating Hardwire 20-30 VAC, NEC Class II, 50/60Hz
 Electrical Rating Battery Power 0 to 30 VAC, 50/60 Hz or DC
 Terminal Load 1.5 Amps per terminal, 2.5 Amps maximum (all terminals combined)
 Set-point Range 45 to 99°F (7 to 37°C)
 Heat Differential (Conventional / Gas / Oil / Elec) Fast 0.5°F, Med. 0.75°, Slow 1.9°F
 Cool Differential (Central Air) Fast 0.9°F, Med. 1.2°, Slow 1.7°F
 Heat Pump Differential (Heat and Cool) Fast 0.9°F, Med. 1.2°, Slow 1.7°F
 Aux. Heat Differential Fast 0.5°F, Med. 0.75°, Slow 1.9°F
 Operating Humidity 0%-90% RH non-condensing max.
 Dimensions 5.58"W X 3.75"H X 1.00"D
 Storage Temperature Range -40 to 150°F (-29 to 65°C)

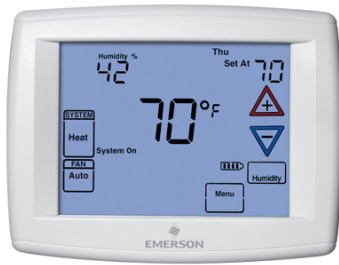
UNIVERSAL – 4 HEAT / 2 COOL SENSI WI-FI THERMOSTAT

PROGRAMS	STAGES BY SYSTEM			SYSTEM TYPE	MODEL NUMBER	ITEM NUMBER	APPLICATIONS						POWER SOURCE	SELECTABLE PERFORMANCE FEATURES							AVAILABLE CONNECTIONS			
	Periods Per Day Options	Single Stage Heat / Cool	Multi-Stage Heat / Cool				Heat Pump Heat / Cool	Universal / Single Stage / Multi-Stage, Heat Pump ¹	Gas / Oil / Electric	3 Wire Zone Valve	Milivolt Compatible	Economizer		Humidity Control	Dual Fuel Heat Pump Control Logic (L), Outdoor Sensor (O)	Remote Sensor Options Indoor (I), Outdoor (O)	Battery (B) Hardwire / Common (H) Power Sharing (PS)	Auto Changeover	Programmable Fan (PF) Comfort Circulating Fan (CC)	Filter Change Reminder		Energy Mgt. Recovery / Early Start	Total Keypad Lockout (T) Partial Keypad Lockout (P)	Set-Point Temperature Limits Adjustable Max/Min
7, NP, Geofencing	8 Max	1/1	2/2	4/2	Universal Sensi	1F87U-42WF	1F87U-42WF	√	√*	—	—	H, D	L	—	B, H, PS*	√	CC	√	√	√	T	√	5.0" K,C	RC, RH, C, W/E, W2/*, Y, Y2/*, O/B/2, G, L
7, NP, Geofencing	8 Max	1/1	2/2	4/2	Universal Sensi	1F87U-42WFC	1F87U-42WFC	√	√*	—	—	H, D	L	—	B, H, PS*	√	CC	√	√	√	T	√	5.0" K,C	RC, RH, C, W/E, W2/*, Y, Y2/*, O/B/2, G, L

¹ Universal thermostats provide the flexibility to control Single Stage, Multi-Stage, or Heat Pump systems.

* Heat only, Cool only and 3-wire zone systems require common

✦ Indicates Canadian Model Number: Call 1-800-305-6953 to order.



1F95-1291

BLUE™ SERIES 12" TOUCHSCREEN THERMOSTATS

Blue 12" Touchscreen - universal, commercial, humidity control and single stage thermostats provide ultimate comfort, features and performance.

FEATURES

- Universal models quickly configure for single stage, multi-stage or heat pump
- Heat pump dual fuel option (with or without outdoor sensor) eliminates the need for a fossil fuel kit
- Humidification/dehumidification control
- Commercial model offers occupied damper or economizer control
- Keypad lockout and set-point temperature limits
- Automatic changeover, Program fan and Indoor / Outdoor remote sensor options

PARTS AND ACCESSORIES

DESCRIPTION	MODEL NUMBER	ITEM NUMBER
Locking Thermostat Guard Clear Plastic	F29-0198	F29-0198
Locking Thermostat Guard Metal, Solid Base	F29-0220	F29-0220
Wallplate 8.13"W X 5.38"H	F61-2600	F0061 260000
Wallplate 6.50"W X 5.00"H	F61-2634	F0061 263400
Indoor Remote Sensor	F145-1328	F0145 132800S1
Outdoor Remote Sensor	F145-1378	F0145 137800S1

See Thermostat Guards for additional options.

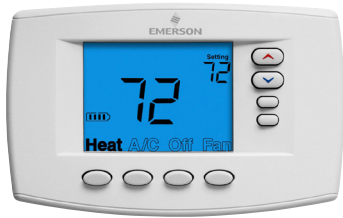
SPECIFICATIONS

Electrical Rating Hardwire 20 to 30 VAC, NEC Class II 50/60 Hz
 Electrical Rating Battery Power mV to 30 VAC, NEC Class II 50/60 Hz or DC
 Terminal Load..... 1.5 Amps per terminal, 2.5 Amps maximum (all terminals combined)
 Set-point Range..... 45 to 99°F (7 to 37°C)
 Heat Differential (Conventional / Gas / Oil / Elec)..... Fast 0.5°F, Slow 1.9°F
 Cool Differential (Central Air)..... Fast 0.9°F, Slow 1.7°F
 Heat Pump Differential (Heat and Cool)..... Fast 0.9°F, Slow 1.7°F
 Aux. Heat Differential Fast 0.5°F, Slow 1.9°F
 Operating Humidity 0%-90% RH non-condensing max.
 Dimensions 4.56"H X 5.81"W X 1.81"D
 Storage Temperature Range -40 to 150°F (-29 to 65°C)

UNIVERSAL STAGING/HEAT PUMP/SINGLE STAGE THERMOSTATS – BLUE 12" THERMOSTATS

PROGRAMS	STAGES BY SYSTEM			SYSTEM TYPE	MODEL NUMBER	ITEM NUMBER	APPLICATIONS							POWER SOURCE	SELECTABLE PERFORMANCE FEATURES						AVAILABLE CONNECTIONS	
	Periods Per Day Options	Single Stage Heat / Cool	Multi-Stage Heat / Cool				Heat Pump Heat / Cool	Universal / Single Stage / Multi-Stage Heat Pump ¹	Gas / Oil / Electric	3 Wire Zone Valve	Milivolt Compatible	Economizer	Humidity Control		Dual Fuel Heat Pump Control Logic (L), Outdoor Sensor (O)	Remote Sensor Options Indoor (I) Outdoor (O)	Battery (B) Hardwire / Common (H) Power Sharing (PS)	Auto Changeover	Programmable Fan (PF) Comfort Circulating Fan (CC)	Filter Change Reminder		Energy Mgt. Recovery / Early Start
7, 5+1+1, NP	4, 2, ∅	1/1 2/2	4/2	Universal Humidity Control	1F95-1291	1F95-1291	√	√	√	—	H, D	L, O**	1 (I or O)	B, H, PS	√	PF, CC	√	√	T, P	√	12.0" K,C	RC, RH, C, W/E, W2, Y, Y2, O/B, G, L, 6, +, S, -, DHM, HM
7, 5+1+1, NP	2, ∅	1/1 2/2	4/2	Universal Commercial	1F95-1280	1F95-1280	√	√	√	√	—	L, O**	1 (I or O)	B, H, PS	√	PF, CC*	√	√	T, P	√	12.0" K,C	RC, RH, C, W/E, W2, Y, Y2, O/B, G, L, 6, +, S, -, A1
7, 5+1+1, NP	4, 2, ∅	1/1 2/2	3/2◇	Universal	1F95-1277	01F95 1277	√	√	√	—	—	L, O**	1 (I or O)	B, H, PS	√	PF, CC	√	√	T, P	√	12.0" K,C	RC, RH, C, W/E, W2, Y, Y2, O/B, G, L, 6, +, S, -
7, 5+1+1, NP	4, 2, ∅	1/1	— 2/1	Single Stage or Heat Pump	1F97-1277	01F97 1277	√	√	√	—	—	L, O**	1 (I or O)	B, H, PS	√	PF, CC	√	√	T, P	√	12.0" K,C	RC, RH, C, W/E, Y, O/B, G, L, 6, +, S, -

1 Universal thermostats provide the flexibility to control Single Stage, Multi-Stage, or Heat Pump systems. ◇ 4/2 on Dual Fuel systems when using an Outdoor Remote Sensor.
 * Occupancy fan option with selectable pre-purge (1-3 hours).
 ** Outdoor sensor provides outdoor temperature settings to lock out auxiliary heat and/or lock out the heat pump and switch to gas heat.



1F95EZ-0671

BLUE™ SERIES 6" THERMOSTATS

Blue 6" universal, commercial and Easy Reader thermostats offer more premium features than higher priced competitive models.

FEATURES

- Universal models quickly configure for single stage, multi-stage or heat pump
- Heat pump dual fuel option (with or without outdoor sensor) eliminates the need for a fossil fuel kit on selected models
- Easy Reader model is easy to read and easy to use
- Commercial offers occupied damper or economizer control and locking cover and subbase
- Keypad lockout and set-point temperature limits
- Automatic changeover, Program fan and Indoor / Outdoor remote sensor options available on selected models

PARTS AND ACCESSORIES

DESCRIPTION	MODEL NUMBER	ITEM NUMBER
Locking Thermostat Guard Clear Plastic	F29-0198	F29-0198
Locking Thermostat Guard Metal Solid Base	F29-0220	F29-0220
Wallplate 8.13"W X 5.38"H	F61-2600	F0061 260000
Wallplate 6.50"W X 5.00"H	F61-2634	F0061 263400
Indoor Remote Sensor	F145-1328	F0145 132800S1
Outdoor Remote Sensor	F145-1378	F0145 137800S1

See Thermostat Guards for additional options.

SPECIFICATIONS

Electrical Rating Hardwire 20 to 30 VAC, NEC Class II 50/60 Hz
 Electrical Rating Battery Power mV to 30 VAC, NEC Class II 50/60 Hz or DC
 Terminal Load..... 1.5 Amps per terminal, 2.5 Amps maximum (all terminals combined)
 Set-point Range..... 45 to 99°F (7 to 37°C)
 Heat Differential (Conventional / Gas / Oil / Elec)..... Fast 0.5°F, Med. 0.75°, Slow 1.9°F
 Cool Differential (Central Air)..... Fast 0.9°F, Med. 1.2°, Slow 1.7°F
 Heat Pump Differential (Heat and Cool)..... Fast 0.9°F, Med. 1.2°, Slow 1.7°F
 Aux. Heat Differential Fast 0.5°F, Med. 0.75°, Slow 1.9°F
 Operating Humidity 0%-90% RH non-condensing max.
 Dimensions 4.19"H X 6.50"W X 1.63"D
 Storage Temperature Range -40 to 150°F (-29 to 65°C)

UNIVERSAL STAGING/HEAT PUMP THERMOSTATS – BLUE 6" THERMOSTATS

PROGRAMS	STAGES BY SYSTEM			SYSTEM TYPE	MODEL NUMBER	ITEM NUMBER	APPLICATIONS										POWER SOURCE	SELECTABLE PERFORMANCE FEATURES						AVAILABLE CONNECTIONS
	Periods Per Day Options	Single Stage Heat / Cool	Multi-Stage Heat / Cool				Heat Pump Heat / Cool	Universal / Single Stage / Multi-Stage Heat Pump ¹	Gas / Oil / Electric	3 Wire Zone Valve	Milivolt Compatible	Economizer	Humidity Control	Dual Fuel Heat Pump Control Logic (L) Outdoor Sensor (O)	Remote Sensor Options Indoor (I) Outdoor (O)	Battery (B) Hardwire / Common (H) Power Sharing (PS)		Auto Changeover	Programmable Fan (PF) Comfort Circulating Fan (CC)	Filter Change Reminder	Energy Mgt. Recovery / Early Start	Total Keypad Lockout (T) Partial Keypad Lockout (P)	Set-Point Temperature Limits Adjustable Max/Min	
7, 5+1+1, NP	4, 2, Ø	1/1	2/2	4/2	Universal Commercial	1F95-0680	1F95-0680	✓	✓	✓	—	—	O**	1 (I or O)	B, H, PS	✓	PF*	✓	✓	T, P	✓	6.0" K,C	RC, RH, C, W/E, W2, Y, Y2, O/B, G, L, 6, +, S, -, A1	
7, 5+1+1, NP	4, 2, Ø	1/1	2/2	4/2	Universal	1F95-0671	1F95-0671	✓	✓	✓	—	—	O**	1 (I or O)	B, H, PS	✓	PF	✓	✓	T, P	✓	6.0" K,C	RC, RH, C, G, Y, Y2, W/E, W2, O/B, L, 6, +, S, -	
7, NP	4, 2, Ø	1/1	2/2	4/2	Universal Easy Reader	1F95EZ-0671	1F95EZ-0671	✓	✓	✓	—	—	L	—	B, H, PS	—	—	✓	✓	—	✓	6.0" K,C	RC, RH, C, W/E, W2, Y, Y2, O/B, G, L, 6	

¹ Universal thermostats provide the flexibility to control Single Stage, Multi-Stage, or Heat Pump systems.
 * Occupancy fan option with selectable pre-purge (1-3 hours).
 ** Outdoor sensor provides outdoor temperature settings to lock out auxiliary heat and/or lock out the heat pump and switch to gas heat.



1F82-0261

BLUE™ SERIES 2" THERMOSTATS

Heat pump or single stage models, offer a step up from 70 Series.

FEATURES

- Easy Set models feature simple Home-Sleep-Away preset buttons
- Programmable, 5/1/1 day, 24 hour, 0-day or non-programmable
- Lighted display for easier low light viewing
- Air filter change indicator option
- Cool Savings™ saves energy during peak A/C demand periods

PARTS AND ACCESSORIES

DESCRIPTION	MODEL NUMBER	ITEM NUMBER
Locking Thermostat Guard Clear Plastic	F29-0198	F29-0198
Locking Thermostat Guard Metal, Solid Base	F29-0220	F29-0220
Wallplate 6.50"W X 5.00"H	F61-2634	F0061 263400
Wallplate (6 pack of F61-2634 above)	F61-2648	F61-2648

See Thermostat Guards for additional options.

SPECIFICATIONS

Electrical Rating Hardwire 20 to 30 VAC, NEC Class II 50/60 Hz
 Electrical Rating Battery Power mV to 30 VAC, NEC Class II 50/60 Hz or DC
 Terminal Load 1.5 Amps per terminal, 2.5 Amps maximum (all terminals combined)
 Set-point Range 45 to 99°F (7 to 37°C)
 Heat Differential (Conventional / Gas / Oil / Elec) Fast 0.5°F, Med. 0.75°, Slow 1.9°F
 Cool Differential (Central Air) Fast 0.9°F, Med. 1.2°, Slow 1.7°F
 Heat Pump Differential (Heat and Cool) Fast 0.9°F, Med. 1.2°, Slow 1.7°F
 Aux. Heat Differential Fast 0.5°F, Med. 0.75°, Slow 1.9°F
 Operating Humidity 0%-90% RH non-condensing max.
 Dimensions 3.75"H X 5.88"W X 1.00"D
 Storage Temperature Range -40 to 150°F (-29 to 65°C)

HEAT PUMP THERMOSTATS – BLUE 2" THERMOSTATS

PROGRAMS	STAGES BY SYSTEM			SYSTEM TYPE	MODEL NUMBER	ITEM NUMBER	APPLICATIONS							POWER SOURCE	SELECTABLE PERFORMANCE FEATURES							AVAILABLE CONNECTIONS	
	Periods Per Day Options	Single Stage Heat / Cool	Multi-Stage Heat / Cool				Heat Pump Heat / Cool	Universal / Single Stage / Multi-Stage / Heat Pump ¹	Gas / Oil / Electric	3 Wire Zone Valve	Milivolt Compatible	Economizer	Humidity Control		Dual Fuel Heat Pump Control Logic (L) Outdoor Sensor (O)	Remote Sensor Options Indoor (I) Outdoor (O)	Battery (B) Hardware / Common (H) Power Sharing (PS)	Auto Changeover	Programmable Fan (PF) Comfort Circulating Fan (CC)	Filter Change Reminder	Energy Mgt. Recovery / Early Start		Total Keypad Lockout (T) Partial Keypad Lockout (P)
5+1+1	4	—	—	2/1	Heat Pump	1F82-0261	1F82-0261	√	—	√	—	—	—	—	B, H	—	—	√	√	—	—	2.0" K,C	R, C, W2, Y, O/B, G, L
Easy Set Non-Programmable Home-Sleep-Away	∅	—	—	2/1	Heat Pump	1F89EZ-0251	1F89EZ-0251	√	—	—	—	—	—	—	B, H	—	—	√	—	—	—	2.0" K,C	R, C, W2, Y, O/B, G, L
NP	∅	—	—	2/1	Heat Pump	1F89-0211	1F89-0211	√	—	√	—	—	—	—	B, H	—	—	√	—	—	—	2.0" K,C	R, C, W2, Y, O/B, G, L

SINGLE STAGE THERMOSTATS – BLUE 2" THERMOSTATS

5+1+1	4	1/1	—	1/1	Single Stage	1F80-0261	1F80-0261	√	—	√	—	—	—	—	B, H	—	—	√	√	—	—	2.0" K,C	R, C, W, Y, O/B, G
24 Hours	4	1/1	—	1/1	Single Stage	1F80-0224	1F80-0224	√	—	√	—	—	—	—	B, H	—	—	√	√	—	—	2.0" K,C	R, C, W, Y, O/B, G
Easy Set Non-Programmable Home-Sleep-Away	3	1/1	—	1/1	Single Stage	1F86EZ-0251	1F86EZ-0251	√	—	√	—	—	—	—	B, H	—	—	√	—	—	—	2.0" K,C	R, C, W, Y, O/B, G
NP	∅	1/1	—	1/1	Single Stage	1F86-0244	1F86-0244	√	—	√	—	—	—	—	B, H	—	—	√	—	—	—	2.0" K,C	R, C, W, Y, O/B, G

¹ Universal thermostats provide the flexibility to control Single Stage, Multi-Stage, or Heat Pump systems.



1F85U-42PR

80 SERIES™ THERMOSTATS

Copeland 80 Series thermostats are the perfect fit for every

FEATURES

- Large display, bright backlight, high contrast screen
- Easy to install with built-in level, simple set-up menu and separate subbase
- Selectable programming, choice of 7 Day, 5+1+1 Day or Off is standard on all programmable models, auto changeover on all universal models
- Dual fuel control, no outdoor sensor required, standard on all staging models
- Keypad lockout and adjustable heat/cool temperature limits

PARTS AND ACCESSORIES

DESCRIPTION	MODEL NUMBER	ITEM NUMBER
Thermostat Guard Clear Plastic	F29-0198	F29-0198
Locking Thermostat Guard - Metal, Solid Base	F29-0220	F29-0220
Wallplate 6.75"W X 4.5"H	F61-2663	F61-2663

SPECIFICATIONS

Electrical Rating Hardwire 20-30 VAC, NEC Class II 50/60Hz
 Electrical Rating Battery Power mV to 30 VAC
 Terminal Load..... 1.5 Amps per terminal, 2.5 Amps maximum (all terminals combined)
 Set-point Range..... 45 to 99°F (7 to 37°C)
 Heat Differential (Conventional / Gas / Oil / Elec).....Fast 0.5°F, Med. 0.75°, Slow 1.9°F
 Cool Differential (Central Air).....Fast 0.9°F, Med. 1.2°, Slow 1.7°F
 Heat Pump Differential (Heat and Cool).....Fast 0.9°F, Med. 1.2°, Slow 1.7°F
 Aux. Heat DifferentialFast 0.5°F, Med. 0.75°, Slow 1.9°F
 Operating Humidity0%-90% RH non-condensing max.
 Dimensions 5.58"W X 3.75"H X 1.13"D
 Storage Temperature Range -40 to 150°F (-29 to 65°C)

MODEL NUMBER NOMENCLATURE - Example: 1F85U-42PR

SERIES	SYSTEM TYPE	DASH	MAX STAGES HEAT/COOL	PROGRAMMABILITY/SPECIAL FEATURES
1F85	U	—	42	PR
1F83 = Thermostat Series 1F85 = Thermostat Series	U = Universal Thermostat for Single Stage, Multi-Stage Or Heat Pump Systems H = Heat Pump Thermostat for Systems With Or Without Aux. Heat C = Conventional Thermostat (Gas / Oil / Electric) or Single Stage Heat Pump (No Aux.)	Character Separator	42 = 4 Heat / 2 Cool 22 = 2 Heat / 2 Cool 21 = 2 Heat / 1 Cool 11 = 1 Heat / 1 Cool	PR = Programmable NP = Non-Programmable WF = Wi-Fi Thermostat

UNIVERSAL STAGING / HEAT PUMP THERMOSTATS – 80 SERIES THERMOSTATS

PROGRAMS	STAGES BY SYSTEM	SYSTEM TYPE	MODEL NUMBER	ITEM NUMBER	APPLICATIONS								POWER SOURCE	SELECTABLE PERFORMANCE FEATURES						AVAILABLE CONNECTIONS	
					Gas / Oil / Electric	3 Wire Zone Valve	Millivolt Compatible	Economizer	Humidity Control	Dual Fuel Heat Pump Control Logic (L) Outdoor Sensor (O)	Remote Sensor Options Indoor (I) Outdoor (O)	Battery (B) Hardwire / Common (H) Power Sharing (PS)		Auto Changeover	Programmable Fan (PF) Comfort Circulating Fan (CC)	Filter Change Reminder	Energy Mgt. Recovery / Early Start	Total Keypad Lockout (T) Partial Keypad Lockout (P)	Set-Point Temperature Limits Adjustable Max/Min		Display Size, Backlight with Key Press (K) Continuous Backlight with Common (C)
7, 5+1+1, NP	4, 2, 0	1/1 2/2 4/2	Univrsl.	1F85U-42PR	1F85U-42PR	√	√	√	—	—	L	—	B, H	√	—	√	√	T	√	5.0" K,C	RC, RH, C, W/E, W2, Y, Y2, O/B/6, G, L
7, 5+1+1, NP	4, 2, 0	1/1 2/2 2/1	Univrsl.	1F85U-22PR	1F85U-22PR	√	√	√	—	—	L	—	B, H	√	—	√	√	T	√	5.0" K,C	RC, RH, C, W/E, W2, Y, Y2, O/B/6, G, L
7, 5+1+1, NP	4, 0	— — 2/1	Heat Pump	1F83H-21PR	1F83H-21PR	√	—	—	—	—	L	—	B, H	—	—	√	√	T	√	4.5" K,C	R, C, W2, E, Y, O/B, G, L
NP	0	1/1 2/2 4/2	Univrsl.	1F85U-42NP	1F85U-42NP	√	√	√	—	—	L	—	B, H	√	—	—	—	T	√	5.0" K,C	RC, RH, C, W/E, W2, Y, Y2, O/B/6, G, L
NP	0	1/1 2/2 2/1	Univrsl.	1F85U-22NP	1F85U-22NP	√	√	√	—	—	L	—	B, H	√	—	—	—	T	√	5.0" K,C	RC, RH, C, W/E, W2, Y, Y2, O/B/6, G, L
NP	0	— — 2/1	Heat Pump	1F83H-21NP	1F83H-21NP	√	—	—	—	—	L	—	B, H	—	—	—	—	T	√	4.5" K,C	R, C, W2, E, Y, O/B, G, L
7, 5+1+1, NP	4, 0	1/1 — 1/1	Single Stage	1F83C-11PR	1F83C-11PR	√	—	√	—	—	—	—	B, H	—	—	√	√	T	√	4.5" K,C	RC, RH, C, W, Y, O/B, G
NP	0	1/1 — 1/1	Single Stage	1F83C-11NP	1F83C-11NP	√	—	√	—	—	—	—	B, H	—	—	—	—	T	√	4.5" K,C	RC, RH, C, W, Y, O/B, G

¹ Universal thermostats provide the flexibility to control Single Stage, Multi-Stage, or Heat Pump systems.



1F89-211



1F87-361

CLASSIC 80 SERIES™ THERMOSTATS

Our Classic 80 Series is available as universal, heat pump and single stage styles offering proven performance and reliability.

FEATURES

- Choice of battery powered, dual power or hardwired models
- Fossil fuel or electric heat compatible
- Permanent program retention during power loss
- Configuration menu allows keypad selection of options
- Selectable energy management recovery (1F80-361 / 1F87-361 / 1F82-261)

SPECIFICATIONS

Electrical Rating Hardwire 20-30 VAC, NEC Class II 50/60Hz
 Electrical Rating Battery Power mV to 30 VAC
 Terminal Load 1.5 Amps per terminal, 2.5 Amps maximum (all terminals combined)
 Set-point Range 45 to 99°F (7 to 37°C)
 Heat Differential (Conventional / Gas / Oil / Elec) Fast 0.5°F, Slow 1.9°F
 Cool Differential (Central Air) 1.2°F
 Heat Pump Differential (Heat and Cool) Fast 0.9°F, Slow 1.7°F
 Aux. Heat Differential Fast 0.5°F, Slow 1.9°F
 Operating Humidity 0%-90% RH non-condensing max.
 Dimensions 3.88"H X 6.00"W X 1.88"D
 Storage Temperature Range -40 to 150°F (-29 to 65°C)

PARTS AND ACCESSORIES

DESCRIPTION	MODEL NUMBER	ITEM NUMBER
Thermostat Guard - Clear Plastic	F29-0198	F29-0198
Locking Thermostat Guard - Metal, Solid Base	F29-0220	F29-0220
Wallplate for all Classic 1F80's 4.63"W X 7.63"H Includes adapter plate for mounting to horizontal or vertical junction box	F61-2500	F0061 250000S1

See Thermostat Guards for additional options.

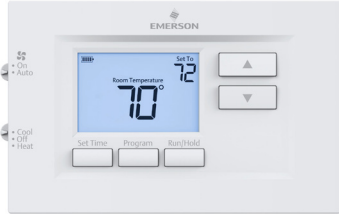
UNIVERSAL STAGING / HEAT PUMP THERMOSTATS – CLASSIC 80 SERIES THERMOSTATS

PROGRAMS	STAGES BY SYSTEM	SYSTEM TYPE	MODEL NUMBER	ITEM NUMBER	APPLICATIONS								POWER SOURCE	SELECTABLE PERFORMANCE FEATURES								AVAILABLE CONNECTIONS
					Gas / Oil / Electric	3 Wire Zone Valve	Milivolt Compatible	Economizer	Humidity Control	Dual Fuel Heat Pump Control Logic (L)	Outdoor Sensor (O)	Remote Sensor Options Indoor (I) Outdoor (O)		Battery (B) Hardwire / Common (H) Power Sharing (PS)	Auto Changeover	Programmable Fan (PF) Comfort Circulating Fan (CC)	Filter Change Reminder	Energy Mgt. Recovery / Early Start	Total Keypad Lockout (T)	Partial Keypad Lockout (P)	Set-Point Temperature Limits Adjustable Max/Min	
5+1+1	4	— — 2/1	Heat Pump	1F82-261	01F82 261S1	√	—	—	—	—	—	—	H	—	—	√	√	—	—	1.8" K,C	R, C, W2, E, Y, O/B, G, L	
NP	∅	— — 2/1	Heat Pump	1F89-211	01F89 211S1	√	—	—	—	—	—	—	H	—	—	√	—	—	—	1.8" K,C	R, C, W2, E, Y, O/B, G, L	
7-day	4	1/1 — 1/1	Single Stage	1F87-361	01F87 361	√	—	√	—	—	—	—	B, H	—	—	√	√	—	—	2.2" K	RC, RH, C, W, Y,O, B, G	
5+1+1	4	1/1 — 1/1	Single Stage	1F80-361	01F80 361	√	—	√	—	—	—	—	B, H	—	—	√	√	—	—	2.2" K	RC,RH, C, W, Y,O, B, G	
NP	∅	1/1 — 1/1	Single Stage	1F86-344	01F86 344	√	—	√	—	—	—	—	B, H	—	—	√	—	—	—	2.2" K	RC, RH, C, W, Y,O, B, G	

¹ Universal thermostats provide the flexibility to control Single Stage, Multi-Stage, or Heat Pump systems.

70 SERIES™ THERMOSTATS

The 70 Series™ provides an easy-to-use thermostat with a modern design that helps reduce complexity for the customer and in turn helps reduce contractor callbacks.



1F75C-11PR



1F75C-11NP

FEATURES

- Large display, bright backlight, high contrast screen
- Easy to install with built-in level, simple set-up menu and separate subbase
- Selectable programming, choice of 7 Day, 5+1+1 Day or Off is standard on all programmable models, auto-changeover on all universal models
- Dual-fuel control, no outdoor sensor required, standard on all staging models

SPECIFICATIONS

Electrical Rating Hardwire (Heat Pump).....	Hardwire: 20 to 30 VAC
Electrical Rating Battery Power (Single Stage)	
Terminal Load.....	1.5 A per terminal
	2.5 A per maximum all terminals combined
Set-point Range.....	45 to 99°F (7 to 37°C)
Heat Differential (Conventional/Gas/Oil/Elec).....	Fast 0.5°F, Med. 0.75°, Slow 1.9°F
Cool Differential (Central Air).....	Fast 0.9°F, Med. 1.2°, Slow 1.7°F
Heat Pump Differential (Heat and Cool).....	Fast 0.9°F, Med. 1.2°, Slow 1.7°F
Aux. Heat Differential.....	Fast 0.5°F, Med. 0.75°, Slow 1.9°F
Operating Humidity.....	0%-90% RH non-condensing max.
Dimensions.....	3-3/4" H x 6" W x 1-1/8" D
Storage Temperature Range.....	-20° F to +150° F (-29° C to +65° C)

PARTS AND ACCESSORIES

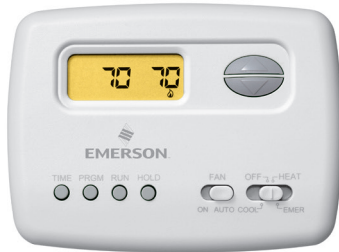
DESCRIPTION	MODEL NUMBER	ITEM NUMBER
Thermostat Guard	F29-0198	F29-0198
Wallplate (6-3/4" X 4-1/2")	F61-2663	F61-2663

HEAT PUMP THERMOSTATS – 70 SERIES THERMOSTATS

PROGRAMS	STAGES BY SYSTEM	SYSTEM TYPE	MODEL NUMBER	ITEM NUMBER	APPLICATIONS						POWER SOURCE	SELECTABLE PERFORMANCE FEATURES						AVAILABLE CONNECTIONS				
					Gas / Oil / Electric	3 Wire Zone Valve	Milivolt Compatible	Economizer	Humidity Control	Dual Fuel Heat Pump Control Logic (L) / Outdoor Sensor (O)		Remote Sensor Options Indoor (I) / Outdoor (O)	Battery (B) / Hardwire / Common (H) / Power Sharing (PS)	Auto Changeover	Programmable Fan (PF) / Comfort Circulating Fan (CC)	Filter Change Reminder	Energy Mgt. Recovery / Early Start		Total Keypad Lockout (T) / Partial Keypad Lockout (P)	Set-Point Temperature Limits Adjustable Max/Min	Display Size, Backlight with Key Press (K) / Continuous Backlight with Common (C)	
NP	—	—	2/1	Heat Pump	1F75H-21NP	1F75H-21NP	✓	—	—	—	—	L	—	B, H	—	—	—	—	—	✓	3" C	R, Y, G, E, W2, O/B, C
7, 5 + 1 + 1, NP	4	—	2/1	Heat Pump	1F75H-21PR	1F75H-21PR	✓	—	—	—	—	L	—	B, H	—	—	✓	✓	—	✓	3" C	R, Y, G, E, W2, O/B, C

SINGLE STAGE THERMOSTATS – 70 SERIES THERMOSTATS

NP	—	1/1	—	1/1	Single Stage	1F75C-11NP	1F75C-11NP	✓	—	✓	—	—	—	—	B, H	—	—	—	—	—	✓	3" C	RC, RH, Y, W, O/B, G, C
7, 5 + 1 + 1, NP	4	1/1	—	1/1	Single Stage	1F75C-11PR	1F75C-11PR	✓	—	✓	—	—	—	—	B, H	—	—	✓	✓	—	✓	3" C	RC, RH, Y, W, O/B, G, C



1F72-151

CLASSIC 70 SERIES™ THERMOSTATS

The perfect upgrade from mechanical thermostats available in heat pump or single stage that offer economy and value with proven reliability.

FEATURES

- Horizontal and vertical models
- Programmable and non-programmable models
- Selectable Celsius or Fahrenheit temperature display
- Fossil fuel or electric heat compatible
- Electronic accuracy
- Temperature accuracy for customers on a budget

SPECIFICATIONS

Electrical Rating Hardwire (Heat Pump)..... 20 to 30 VAC, NEC Class II 50/60 Hz
 Electrical Rating Battery Power (Single Stage)..... mV to 30 VAC, NEC Class II 50/60 Hz or DC
 Terminal Load..... 1.5 Amps per terminal, 2.5 Amps maximum (all terminals combined)
 Set-point Range..... 45 to 99°F (7 to 37°C)
 Heat Differential (Conventional / Gas / Oil / Elec)..... Fast 0.75°, Slow 1.9°F
 Cool Differential (Central Air)..... 1.2°F
 Heat Pump Differential (Heat and Cool)..... Fast 0.9°F, Slow 1.7°F
 Aux. Heat Differential Fast 0.5°F, Slow 1.9°F
 Operating Humidity 0%-90% RH non-condensing max.
 Dimensions 3.19"H X 5.13"W X 1.13"D
 Storage Temperature Range -40 to 150°F (-29 to 65°C)

PARTS & ACCESSORIES

DESCRIPTION	MODEL NUMBER	ITEM NUMBER
Thermostat Guard - Clear Plastic	F29-0198	F29-0198
Locking Thermostat Guard - Metal, Solid Base	F29-0220	F29-0220
Wallplate for all Copeland 70 Series thermostats, 6.50"W x 4.50"H, Includes adapter plate for mounting to horizontal or vertical junction box	F61-2510	F0061 251000S1
Wallplate for 1d70, 1E70 models with adapter for horizontal or vertical junction box 4.5"W x 6.59"H	F61-2593	F0061 255000S1

See Thermostat Guards for additional options.

70 SERIES THERMOSTATS

PROGRAMS	STAGES BY SYSTEM	SYSTEM TYPE	MODEL NUMBER	ITEM NUMBER	APPLICATIONS								POWER SOURCE	SELECTABLE PERFORMANCE FEATURES								AVAILABLE CONNECTIONS
					Gas / Oil / Electric	3 Wire Zone Valve	Milivolt Compatible	Economizer	Humidity Control	Dual Fuel Heat Pump Control Logic (L) Outdoor Sensor (O)	Remote Sensor Options Indoor (I) Outdoor (O)	Battery (B) Hardwire / Common (H) Power Sharing (PS)		Auto Changeover	Programmable Fan (PF) Comfort Circulating Fan (CC)	Filter Change Reminder	Energy Mgt. Recovery / Early Start	Total Keypad Lockout (T)	Partial Keypad Lockout (P)	Set-Point Temperature Limits Adjustable Max/Min	Display Size, Backlight with Key Press (K) Continuous Backlight with Common (C)	
5+2	4	— — 2/1	Heat Pump	1F72-151	01F72 151S1	√	—	—	—	—	—	—	H	—	—	—	√	—	—	1.2" K, C	R, C, W2, E, Y, O/B, G, L	
NP	∅	— — 2/1	Heat Pump	1F79-111	01F79 111S1	√	—	—	—	—	—	—	H	—	—	—	—	—	—	1.2" K, C	R, C, W2, E, Y, O/B, G, L	
5+2	4	1/1 — 1/1	Single Stage	1F78-151	01F78 151S1	√	—	√	—	—	—	—	B	—	—	—	√	—	—	1.2" K	RC, RH, W, Y, O, B, G	
5+2	4	1/1 — 1/1	Single Stage Vertical	1E78-151	01E78 151	√	—	√	—	—	—	—	B	—	—	—	√	—	—	1.2" K	RC, RH, W, Y, O, B, G	
NP	∅	1/1 — 1/1	Single Stage	1F78-144	01F78 144S1	√	—	√	—	—	—	—	B	—	—	—	—	—	—	1.2" K	RC, RH, W, Y, O, B, G	
NP	∅	1/1 — 1/1	Single Stage Vertical	1E78-144	01E78 144	√	—	√	—	—	—	—	B	—	—	—	—	—	—	1.2" K	RC, RH, W, Y, O, B, G	
NP	∅	1/0 — —	Single Stage	1E78-140	01E78 140	√	—	√	—	—	—	—	B	—	—	—	—	—	—	1.2" K	RH, W	

¹ Universal thermostats provide the flexibility to control Single Stage, Multi-Stage, or Heat Pump Systems. * Does not control fan on a call for heat.



1F56N-444

STANDARD MECHANICAL THERMOSTATS

Mercury free replacement for White-Rodgers and competitive models installed over the past 50 years.

FEATURES

- Mercury free snap-action contacts with dust cover
- Horizontal and vertical models
- Built in bimetal thermometer
- Same footprint since the introduction of the series saves time and aggravation, so wall marks are not a problem and no cover-up wallplate is necessary
- 24 volt, 750 mV and 3 - wire zone options

SPECIFICATIONS

Electrical RatingmV to 30 VAC, NEC Class II 50/60 Hz
 Heating Anticipator Adjustable from 0.15 to 1.2 Amps
 Cool Anticipator Fixed
 Differential (Heat)..... 1°F
 Differential (Cool)..... 1.5°F
 Set-point Range..... 50 to 90°F (10 to 32°C)
 1E (Vertical) Dimensions4.5"H X 2.75"W X 1.5"D
 1F (Horizontal) Dimensions 2.75"H X 4.5"W X 1.50"D

PARTS & ACCESSORIES

DESCRIPTION	MODEL NUMBER	ITEM NUMBER
Thermostat guard - clear plastic	F29-0198	F29-0198
Locking thermostat guard - metal, solid base	F29-0220	F29-0220
Wallplate for low voltage thermostats, 5.63"W x 5.75"H, includes horizontal or vertical "J" box adapter. for models 1D51W-, 1D56W, 1E30W, 1E56W, 1F56W, 1F58W	F61-2301	F0061 230100S1
Thermostat locking kit for types 1E30N, 1E50N, 1E56N, 1F51N, 1F56N	F92-0563	F0092 056300S1

See Thermostat Guards for additional options.

STANDARD MECHANICAL THERMOSTATS

Stages Heat / Cool	Heat Pump Heat / Cool	Includes	Gas / Oil / Electric	(mV) Millivolt Compatible	3-Wire Zone Valve	Orientation Vertical, Horizontal	TERMINALS	MODEL NUMBER	ITEM NUMBER
1/0	—	Heat Only Wallplate (no System Off or Fan Switch)	√*	√	—	V	R, W	1E30N-910	1E30N-910
1/0	—	Heat Only Wallplate (no System Off or Fan Switch) / Switched Subbase Heat-Off / Optional F92-0563 Temperature Locking / Limiting Kit	√*	√	—	V	RH, W	1E50N-301	1E50N-301
1/1①	Heat Pump No Aux.	Heat Only Wallplate (no System Off or Fan Switch) / Switched Subbase Heat-Off-Cool & Fan Auto-On / Cool Only or 3-wire Zone Wallplate (no System Off or Fan Switch)	√	√	√	V	RC, RH, W, Y, O, B, G, A	1E56N-444	1E56N-444
1/1①	Heat Pump No Aux.	Heat Only Wallplate (no System Off or Fan Switch) / Switched Subbase Heat-Off-Cool & Fan Auto-On / Cool Only or 3-wire Zone Wallplate (no System Off or Fan Switch)	√	√	√	H	RC, RH, W, Y, O, B, G, A	1F56N-444	1F56N-444
1/0	—	Heat Only Wallplate (no System Off or Fan Switch)	√*	√	—	V	R, W	1E30N-311	1E30N-311
1/0	—	Heat Only Wallplate (no System Off or Fan Switch) / Switched Subbase Heat-Off / Optional F92-0563 Temperature Locking / Limiting Kit	√*	√	—	V	R, W	1E50N-303	1E50N-303
1/1①	Heat Pump No Aux.	Heat Only Wallplate (no System Off or Fan Switch) / Switched Subbase Heat-Off-Cool & Fan Auto-On / Cool Only or 3-wire Zone Wallplate (no System Off or Fan Switch)	√	√	√	V	RC, RH, W, Y, O, B, G, A	1E56N-361	1E56N-361
1/1①	Heat Pump No Aux.	Heat Only Wallplate (no System Off or Fan Switch) / Switched Subbase Heat-Off-Cool & Fan Auto-On / Cool Only or 3-wire Zone Wallplate (no System Off or Fan Switch)	√	√	√	H	RC, RH, W, Y, O, B, G, A	1F56N-361	1F56N-361

① Includes optional "A" terminal connection for Electric Heat systems that require the thermostat to energize the Blower (G terminal) on a call for heat.

* Does not control fan on a call for heat.

✦ Indicates a Canadian Model Number: call 1-800-305-6953 to order.



1C20-101

ECONOMY MECHANICAL THERMOSTATS

Mercury free reliable performance in an attractive design.

FEATURES

- Rugged snap-action contacts
- Adjustable heat anticipator
- Built in bimetal thermometer
- Heat / cool model includes switching subbase
- Heat / cool model compatible with electric heat systems

SPECIFICATIONS

Electrical Rating mV to 30 VAC, 50/60 Hz or DC
 Heating Anticipator Adjustable from 0.15 to 1.2 Amps
 Cooling Anticipator Fixed
 Differential (Heat)..... 2°F (1.1°C)
 Differential (Cool)..... 4°F (2.2°)
 Set-point Range..... 50 to 90°F (10 to 32°C)
 Dimensions 3.75"H X 2.88"W X 1.50"D
 Dimensions, Switching Models 3.75"H X 3.13"W X 1.63"D

PARTS & ACCESSORIES

DESCRIPTION	MODEL NUMBER	ITEM NUMBER
Thermostat Guard - Clear Plastic	F29-0198	F29-0198
Locking Thermostat Guard - Metal, Solid Base	F29-0220	F29-0220
Wall Coverplate for 1C20/1C26-XXX, 5.13"H X 5.00"W	F61-2499	F0061 249900S1

See Thermostat Guards for additional options.

ECONOMY MECHANICAL THERMOSTATS

Stages Heat / Cool	Heat Pump Heat / Cool	System Switch	Fan Switch	Gas / Oil / Electric	(Mv) Millivolt Compatible	Orientation Vertical / Horizontal	TERMINALS	MODEL NUMBER	ITEM NUMBER
1/0 ① ③	—	None	None	√*	√	Vertical	R, W	1C20-101	01C20 101S1
1/0	—	None	None	√*	√	Vertical	R, W	1C20-102	01C20 102S1
0/1	—	None	None	—	—	Vertical	R, Y	1C21-101	01C21 101S1
1/1 ② ③	Heat Pump No Aux.	Heat-Off-Cool	Auto-On	√	√	Vertical	RC, RH, W, Y, O, B, G, A	1C26-101	01C26 101S1

* Does not control fan on a call for heat

① Lowest temperature setting is "OFF" position

② Includes optional "A" terminal connection for Electric Heat systems that require the thermostat to energize the Blower (G terminal) on a call for heat

③ Includes F61-2499 wall mounting plate to cover marks left by previous thermostat



1E65-144

1E65 LINE VOLTAGE DIGITAL THERMOSTATS

Line voltage digital thermostats for baseboard and resistance heat.

FEATURES

- LCD with great contrast for enhanced visibility
- 100% silent operation with optional proportional control feature
- Precise electric heat temperature control
- Digital non-programmable
- Celsius or Fahrenheit

SPECIFICATIONS

Electrical Rating	120/240 VAC, 50/60 Hz
1E65-144 Minimum load	2 A (resistive only), 500 W @ 240 VAC, 250 W @ 120 VAC
1E65-144 Maximum load	16.7 A (resistive only), 4000 W @ 240 VAC, 2000 W @ 120 VAC
Differential	1.0°F
Set-point Range	45 to 90°F (7 to 32°C)
Display Resolution	1°F (0.1°C)
Approval	CSA

PARTS & ACCESSORIES

DESCRIPTION	MODEL NUMBER	ITEM NUMBER
Thermostat Guard - Clear Plastic	F29-0198	F29-0198
Junction box offset adapter plate for universal mounting. Allows offset for 1E65-144 9/16" Left or Right.	F61-2642	F61-264200

See Thermostat Guards for additional options.

1E65 LINE VOLTAGE DIGITAL THERMOSTATS

Heat / Cool	Programmable	Switch Action	120 VAC Resistive (Non-Inductive)	240 VAC Resistive (Non-Inductive)	Typical Applications	MODEL NUMBER	ITEM NUMBER
Heat	—	Open on Rise	2.0A to 16.7A (250 to 2000W)	2.0A to 16.7A (500 to 4000W)	Baseboard Electric Heat, Convectors, Fan-forced Heaters, Radiant Floor or Ceiling Heat	1E65-144	01E65 144

1E65-144 replaces Honeywell RLV310.



1A65-641

LINE VOLTAGE BASEBOARD THERMOSTATS - HYDRAULIC

Line voltage mechanical thermostats for baseboard and resistance heat.

FEATURES

- Precision hydraulic switch action
- 1A66 types are a double-pole disconnect model with "OFF" position which mechanically breaks both sides of line
- Thermostat mounts on 2" X 4" electrical box
- Classic white or beige color
- Mercury free design

SPECIFICATIONS

Differential 1.0°F (.5°C)
 Set-point Range..... 40 to 85°F (4 to 29°C)
 Dimensions for 1A65/1A66 4.5"H X 2.75"W X 1.25"D
 Agency..... UL

PARTS & ACCESSORIES

DESCRIPTION	MODEL NUMBER	ITEM NUMBER
1A65-641, 1A65W-641, 1A66-641 or 1A66W-641 locking or limiting kit. Locks at 66°C 69°C 72°F or 75°F. Temperature limit can also be set at 60° or 63°.	F75-0176	F0075 017600S1

See Thermostat Guards for additional options.

LINE VOLTAGE BASEBOARD THERMOSTATS - HYDRAULIC

Heat / Cool	Switch Action	120 VAC Resistive (Non-Inductive)	240 VAC Resistive (Non-Inductive)	277 VAC Resistive (Non-Inductive)	Typical Application	MODEL NUMBER	ITEM NUMBER
Heat	Open on Rise	22.0A (2500W)	22.0A (5000W)	18.0A (5000W)	Baseboard Electric Heat, Cable Heat, Glass Panels	1A65-641	01A65 641S1
Heat	Open on Rise	22.0A (2500W)	22.0A (5000W)	18.0A (5000W)	Baseboard Electric Heat, Cable Heat, Glass Panels	1A65W-641 ①	01A65W641S1
Heat	Open on Rise	—	22.0A (5000W)	18.0A (5000W)	Baseboard Electric Heat, Cable Heat, Glass Panels	1A66-641	01A66 641S1
Heat	Open on Rise	—	22.0A (5000W)	18.0A (5000W)	Baseboard Electric Heat, Cable Heat, Glass Panels	1A66W-641 ①	01A66W641S1

① W in model number denotes Classic White Color. Replaces Honeywell T498A / B SERIES.



1G65-641

LINE VOLTAGE BASEBOARD THERMOSTATS - BIMETAL

Line voltage mechanical thermostats baseboard and resistance heat.

FEATURES

- Rugged bimetal switch action
- 1G66 types are a double-pole disconnect model with "OFF" position which mechanically breaks both sides of line
- Thermostat mounts on 2" X 4" electrical box
- Classic white
- Mercury free design

SPECIFICATIONS

Differential 3.0°F (1.5°C)
 Set-point Range..... 40 to 80°F (4 to 26°C)
 Dimensions 4.81"H X 3.31"W X 1.44"D
 Agency..... UL, CSA

PARTS AND ACCESSORIES

DESCRIPTION	MODEL NUMBER	ITEM NUMBER
Thermostat guard - clear plastic	F29-0198	F29-0198

See Thermostat Guards for additional options.

LINE VOLTAGE BASEBOARD THERMOSTATS - BIMETAL

Heat / Cool	Switch Action	120 VAC Resistive (Non-Inductive)	240 VAC Resistive (Non-Inductive)	277 VAC Resistive (Non-Inductive)	Typical Application	MODEL NUMBER	ITEM NUMBER	
Heat	Open on Rise	22.0A (2500W)	22.0A (5000W)	18.0A (5000W)	Baseboard Electric Heat, Cable Heat, Glass Panels	1G65-633	1G65-633	✦
Heat	Open on Rise	22.0A (2500W)	22.0A (5000W)	18.0A (5000W)	Baseboard Electric Heat, Cable Heat, Glass Panels	1G65-641	01G65 641	
Heat	Open on Rise	—	22.0A (5000W)	18.0A (5000W)	Baseboard Electric Heat, Cable Heat, Glass Panels	1G66-633	1G66-633	
Heat	Open on Rise	—	22.0A (5000W)	18.0A (5000W)	Baseboard Electric Heat, Cable Heat, Glass Panels	1G66-641	01G66 641	✦

✦ Indicates Canadian Model Number: Call 1-800-305-6953 to order.



1A10-651

LIGHT & HEAVY DUTY LINE VOLTAGE THERMOSTATS

Line voltage mechanical thermostats light duty, heavy duty and fan coils.

FEATURES

- Two dial stops for setting a maximum or minimum temperature. Minimum between 66 to 87°F. Maximum between 60 to 81°F
- Includes set point locking feature at 66°, 69°, 72°, 75°, 78°, or 81°F
- Thermostat mounts on 2" X 4" electrical box
- Optional heating and cooling subbase S29-21 available
- Beige color / mercury free design

SPECIFICATIONS

Differential	1.0°F
Set-point Range.....	36 to 90°F (2 to 32°C)
Dimensions without subbase.....	4.5"H X 2.88"W X 1.75"D
Dimensions with subbase	5.13"H X 2.88"W X 2.75"D
Agency	UL

PARTS AND ACCESSORIES

DESCRIPTION	MODEL NUMBER	ITEM NUMBER
Thermostat Guard - Clear Plastic	F29-0198	F29-0198
Subbases for Use with 1A10-651 or 1A16-51 Line Voltage Thermostats, System Switch: Cool-Off-Heat	S29-21	S29 021S1

See Thermostat Guards for additional options.

LIGHT & HEAVY DUTY LINE VOLTAGE THERMOSTATS

Heat / Cool	Switch Action	120 VAC Inductive (Motor) Full Load	120 VAC Inductive (Motor) Locked Rotor	120 VAC Resistive (Non-Inductive)	240 VAC Inductive (Motor) Full Load	240 VAC Inductive (Motor) Locked Rotor	240 VAC Resistive (Non-Inductive)	277 VAC Inductive (Motor) Full Load	277 VAC Inductive (Motor) Locked Rotor	277 VAC Resistive (Non-Inductive)	Pilot Duty	Typical Application	MODEL NUMBER	ITEM NUMBER
Heat / Cool	SPDT	8.0A	48.0A	8.0A	4.0A	24.0A	8.0A	4.0A	24.0A	8.0A	125 VA	Fan Coils, Fans, Motor Starters, Circulators, Heating Valves, Cooling Valves, SPDT Applications, Baseboard Electric Heat, Radiant Floor or Ceiling Heat	1A10-651*	01A10 651S1
Heat / Cool	SPDT	16.0A	96.0A	16.0A	8.0A	48.0A	16.0A	8.0A	48.0A	16.0A	125 VA	Fan Coils, Fans, Motor Starters, Circulators, Heating Valves, Cooling Valves, SPDT Applications, Baseboard Electric Heat, Radiant Floor or Ceiling Heat	1A16-51*	01A16 051S1

Optional heating and cooling subbase S29-21 available separately.

* See White-Rodgers General Information for full electrical ratings.



1A11-2

1A11-2 FAN COIL THERMOSTAT

Fan coil units, valves, blower motors and 3 speed fan systems.

FEATURES

- 3-speed manual fan switch: High - Medium - Low
- System switch: Heat - OFF - Cool. "OFF" breaks both valve and fan circuits
- Mounts to a standard 2" X 4" vertical box or a two-gang outlet box.
May also be mounted on a 4" X 4" junction box with an adapter (not provided)
- Color coded wiring for ease of installation
- Beige color

SPECIFICATIONS

Differential	1.5°F
Set-point Range.....	36 to 90°F (2 to 32°C)
Dimensions	4.50"H X 4.50"W X 2.25"D
Agency.....	UL

PARTS AND ACCESSORIES

DESCRIPTION	MODEL NUMBER	ITEM NUMBER
Thermostat Guard - Clear Plastic	F29-0198	F29-0198

See Thermostat Guards for additional options.

1A11-2 FAN COIL THERMOSTAT

Heat / Cool	Switch Action	120 VAC Inductive (Motor) Full Load	120 VAC Inductive (Motor) Locked Rotor	120 VAC Resistive (Non-Inductive)	240 VAC Inductive (Motor) Full Load	240 VAC Inductive (Motor) Locked Rotor	240 VAC Resistive (Non-Inductive)	277 VAC Inductive (Motor) Full Load	277 VAC Inductive (Motor) Locked Rotor	277 VAC Resistive (Non-Inductive)	Pilot Duty	Typical Application	MODEL NUMBER	ITEM NUMBER
Heat / Cool	SPDT Open / Close on Rise	5.5A	33.0A	—	2.75A	16.5A	—	2.3A	13.8A	—	120 VA	Fan Coil Units, Valves, Blower Motors, 3 Speed Fan Systems	1A11-2	01A11 002S1

LINE VOLTAGE STEEL CASE THERMOSTATS FOR HEATING & COOLING

Line voltage mechanical thermostats with heavy gauge steel case.

FEATURES

- Models to control resistive heat loads or most heating / cooling inductive loads without a relay or motor starter
- "Summer" dial position (152-9 model)
- Hydraulic switch action unaffected by motion, no leveling required
- Open on rise and single pole double throw (SPDT) options
- Heavy gauge steel dustproof case, mounts on vertical 2" X 4" box or flush to wall

SPECIFICATIONS

Dimensions	6.00"H X 2.75"W X 2.50"D
Finish.....	Grey Color
Agency.....	UL, CSA



152-10

LINE VOLTAGE STEEL CASE THERMOSTATS FOR HEATING & COOLING

SWITCH ACTION	RANGE	DIFFERENTIAL	MOTOR RATING (FULL LOAD)			RESISTIVE RATING (NON-INDUCTIVE)			MODEL NUMBER	ITEM NUMBER
			120 VAC	240 VAC	277 VAC	120 VAC	240 VAC	277 VAC		
Open on Rise (Heating)	55 to 85°F (13 to 29°C)	Fixed 2°F (1.0°C)	14.0A	7.0A	18.0A	25.0A	22.0A	18.0A	152-9*	01 52 009S1
Open on Rise (Heating)	40 to 90°F (4 to 32°C)	Fixed 3°F (1.6°C)	14.0A	7.0A	—	25.0A	20.0A	—	152-10**	01 52 010S1
SPDT (Heat / Cool)	55 to 95°F (13 to 35°C)	Fixed 3.0°F (1.6°C)	7.4A	3.7	—	—	—	—	179-1	01 79 001S1

* Summer fan position control only has two terminals. It thermostatically cycles (based on temperature) unless set to the summer fan position in which case the contacts are closed.

** Locked case, concealed dial.

See White-Rodgers General Information for full electrical ratings.



F145-1328

REMOTE SENSORS FOR 24V THERMOSTATS

Wired and wireless remote sensors for 24V thermostats. Indoor and outdoor sensors for Blue™ Series 12" and 6" digital thermostats, wireless indoor - outdoor sensor.

FEATURES

- Wired sensors provide superior temperature control, even over long wire runs
- Perfect for securing the thermostat in one area or room while sensing temperature in the conditioned space
- No temperature variance caused by wire resistance
- Up to 3 indoor and 1 outdoor wireless remote sensors can be used on one 1F98EZ-1621 wireless thermostat system
- Wireless sensor powered with 2 "AA" alkaline batteries

SPECIFICATIONS

Operating Humidity0%-90% RH non-condensing max
 Maximum Distance from Thermostat 300'
 Recommended Wire (F145-1328 / F145-1378) 20 gauge, 3-conductor cable
 F145-1328 / F145-1378 Dimensions2.13"H X 3.5"W X .75"D

PARTS & ACCESSORIES

APPLICATION	REMOTE SENSOR	COLOR	MODEL NUMBER	ITEM NUMBER
Compatible with all Copeland / White-Rodgers Thermostats that accept wired indoor remote sensors	Wired Indoor	Classic White	F145-1328	F0145 132800S1
Compatible with all Copeland / White-Rodgers Thermostats that accept wired outdoor remote sensors. Outdoor remote sensor has 12 ft. sensor lead.	Wired Outdoor	Classic White	F145-1378	F0145 137800S1

CONNECTION CROSS REFERENCE - THERMOSTATS & WIRED SENSORS

OLD TERMINAL (THERMOSTAT OR REMOTE)	NEW TERMINAL (THERMOSTAT OR REMOTE)
S1	+
S2	S
S3	—

WIRED REMOTE SENSOR TERMINAL DESIGNATIONS

MODEL NUMBER	TERMINAL DESIGNATION CROSS REFERENCE		
F145-1328 , F145-1378	+	S	—
	Sensor Positive	Sensor Return Signal	Sensor Negative



F29-0143

THERMOSTAT GUARDS - PLASTIC

Durable plastic thermostat guards are designed for use in public areas of offices, churches and restaurants to prevent tampering

FEATURES

- Each model furnished with one key and can be mounted vertically or horizontally
- Clear plastic models for applications that need the thermostat visible
- Each model furnished with a ring and/or solid wall mounting plate
- F29-0198 fits all Copeland/White-Rodgers thermostats

PARTS & ACCESSORIES

DESCRIPTION	MODEL NUMBER	ITEM NUMBER
Key for Thermostat Guards (All)	F145-0999	F145-0999

THERMOSTAT GUARDS SELECTION

MODEL NUMBER		F29-0143		F29-0198		F29-0225	F29-0227		F29-0231	
ITEM NUMBER		F29-0143		F29-0198		F29-0225	F29-0227		F29-0231	
BASE STYLE		RING	SOLID	RING	SOLID	RING	RING	SOLID	RING	SOLID
Digital	Sensi™ / Sensi Touch Wi-Fi	—	—	√	√	—	—	—	√	√
	70™ Series	—	—	√	√	—	—	√	√	√
	80™ Series	—	—	√	√	—	—	—	√	√
	Classic 80 Series	—	—	√	√	—	—	√	√	√
	Copeland Blue 2", 4"	√	√	√	√	—	√	√	√	√
	Copeland Blue 6", 12"	—	—	√	√	—	√	√	—	—
Mechanical	1C20 Series	√	√	√	√	√	√	√	√	√
	1E30 / 31 / 35 / 56 Series	√	√	√	√	—	√	√	√	√
	1F51 / 56 / 57 Series	√	√	√	√	—	√	√	√	√
Line Voltage	1A65 - 1A66 Series	—	—	√	—	—	√	—	√	—
	1G65 - 1G66 Series	—	—	√	—	—	√	—	√	—
	1A10 - 1A16 Series	—	—	√	—	—	—	—	—	—
	1A11 Series	—	—	√	—	—	—	—	—	—
	1E65 Series	—	—	√	—	—	√	—	—	—

THERMOSTAT GUARDS DIMENSIONS

DESCRIPTION	(RING) LENGTH	(RING) HEIGHT	(RING) DEPTH	(SOLID) LENGTH	(SOLID) HEIGHT	(SOLID) DEPTH	BEKO NUMBER	MODEL NUMBER	ITEM NUMBER
Clear Plastic	6-1/4"	3-3/8"	3-1/4"	6-3/8"	3-1/2"	3"	BTG-RK	F29-0143	F29-0143
Clear Plastic	8-1/8"	4-5/8"	3-5/8"	8-1/4"	5-3/8"	3-1/2"	BTG-UK2	F29-0198	F29-0198
Clear Plastic	Mounting Plate, No Ring	Mounting Plate, No Ring	Mounting Plate, No Ring	3-7/8"	3-1/2"	2-1/2"	BTG-EK	F29-0225	F29-0225
Clear Plastic	5-1/4"	4-5/8"	3-1/4"	5-1/4"	4-5/8"	3"	BTG-K	F29-0227	F29-0227
Clear Plastic	7-1/16"	4-1/8"	2-1/4"	7-5/8"	4-1/4"	2-1/8"	TG-DK	F29-0231	F29-0231

All dimensions are horizontal inside dimensions.



F29-0192

THERMOSTAT GUARDS - METAL

Durable metal thermostat guards are designed for use in public areas of offices, churches and restaurants to prevent tampering

FEATURES

- Each model furnished with one key and can be mounted vertically or horizontally
- Beige enamel finish over heavy-duty steel enclosure with tamper-resistant design 18 gauge cover, 22 gauge frame
- Each model furnished with a ring and/or solid wall mounting plate
- F29-0220 fits all Copeland/White-Rodgers thermostats

PARTS & ACCESSORIES

DESCRIPTION	MODEL NUMBER	ITEM NUMBER
Key for Thermostat Guards (All)	F145-0999	F145-0999

THERMOSTAT GUARDS SELECTION


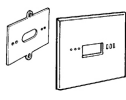
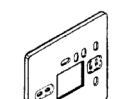
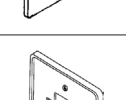
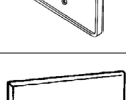
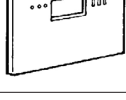





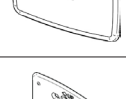
		HINGED COVER	HINGED COVER	NO HINGE	NO HINGE
MODEL NUMBER		F29-0192	F29-0193	F29-0220	F29-0222
ITEM NUMBER		F29-0192	F29-0193	F29-0220	F29-0222
BASE STYLE		SOLID	RING	SOLID	RING
Digital	Sensi™ / Sensi Touch Wi-Fi	—	—	—	—
	70™ Series	√	√	√	√
	80™ Series	—	√	√	√
	Classic 80 Series	—	√	√	√
	Copeland Blue 2", 4"	√	√	√	√
	Copeland Blue 6", 12"	—	—	√	√
Mechanical	1C20 Series	√	√	√	√
	1E30 / 31 / 35 / 56 Series	√	√	√	√
	1F51 / 56 / 57 Series	√	√	√	√
Line Voltage	1A65 - 1A66 Series	—	√	—	√
	1G65 - 1G66 Series	—	√	—	√
	1A10 - 1A16 Series	—	√	—	√
	1A11 Series	—	—	—	√
	1E65 Series	—	—	—	√

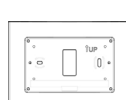



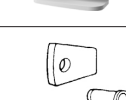
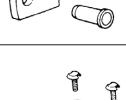
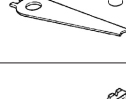





THERMOSTAT GUARDS DIMENSIONS

DESCRIPTION	(RING) LENGTH	(RING) HEIGHT	(RING) DEPTH	COMMENTS	BEKO NUMBER	MODEL NUMBER	ITEM NUMBER
Solid base	6-1/4"	4-3/4"	3"	Hinged cover	BTG-54VL	F29-0192	F29-0192
Ring base	6"	3-13/16"	3-1/8"	Hinged cover	BTG-54VLW	F29-0193	F29-0193
Solid base	7-1/8"	4-5/8"	3-1/4"	—	BTG-UM	F29-0220	F29-0220
Ring base	6-5/8"	4-1/2"	3-3/8"	—	BTG-UWM	F29-0222	F29-0222

All dimensions are horizontal inside dimensions.

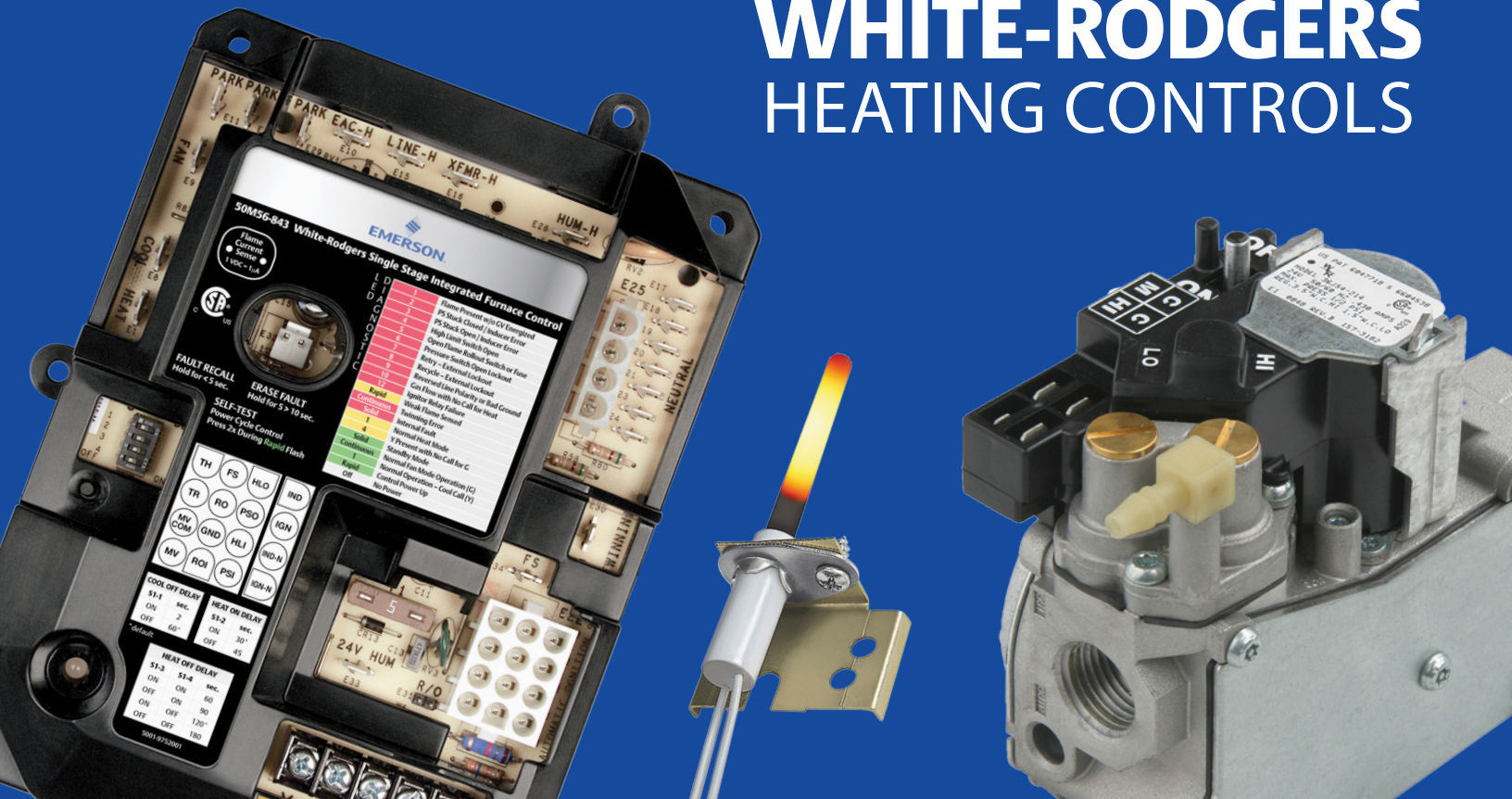
THERMOSTAT PARTS AND ACCESSORIES

	DESCRIPTION	MODEL NUMBER	ITEM NUMBER
	Cover assembly for 1f78-151 programmable.	F16-8101	F0016 810100S1
	Wallplate for low voltage standard thermostats (55/8" h x 5-3/4" w). Beige. Includes adapter for mounting to vertical junction box. Same as f61-2068 except white.	F61-2301	F0061 230100S1
	Wallplate for all 1f90 series thermostats (except Copeland blue 6" and 12" models), (7-1/4"W x 5-1/2"H), classic white color, includes adapter plate for mounting to horizontal or vertical junction box.	F61-2300	F0061 230000S1
	Wallplate for 1c20-xxx/1c26-xxx (5-5/8" h x 5" w)	F61-2499	F0061 249900S1
	Wallplate for all classic 80™ series thermostats (except Copeland 2" and 4" and 80 series models), (7-5/8" w x 4-7/8" h), classic white color, includes adapter plate for mounting to horizontal or vertical junction box.	F61-2500	F0061 250000S1
	Wallplate for all 1f70 series thermostats, 6 1/2" w x 4 1/2" h, classic white color, includes adapter plate for mounting to horizontal or vertical junction box.	F61-2510	F0061 251000S1
	Wallplate for all 1f70 series thermostats, 6-1/2" w x 4-1/2" h, classic white color, does not include adapter plate for mounting to horizontal or vertical junction box.	F61-2550	F0061 255000S1
	Wallplate for 70™ series (1d70 or 1e70) vertical thermostats, 4-1/2" w x 6-19/32" h, classic white color.	F61-2593	F0061 259300
	Wallplate for Copeland blue 12", 6" thermostats, 8-1/8" w x 5-3/8" h, classic white color, for use with or without horizontal junction box.	F61-2600	F0061 260000
	Wallplate for Copeland blue 2", 4", 6", 12" thermostats, 6-1/2" w x 5" h, classic white color, for use with or without horizontal junction box.	F61-2634	F0061 263400
	Junction box offset adapter plate. Allows offset for 1e65-144 9/16" left or right.	F61-2642	F61-264200
	Same as f61-2634 except 6 Pack.	F61-2648	F61-264800

	DESCRIPTION	MODEL NUMBER	ITEM NUMBER
	Wallplate for Sensi™ smart thermostat and Copeland 80 Series 1F85U-42PR, -42NP, -22PR, -22NP, 1F83H-21PR, -21NP, 1F83C-11PR, -11NP, 6-3/4"W x 4-1/2"H for use with or without horizontal junction box.	F61-2663	F61-2663
	Wallplates for Sensi Touch smart thermostat. 6-3/4"W x 4-1/2"H	F61-2689 (white) SA5B (black) SA5S (silver)	F61-2689 (white) SA5B (black) SA5S (silver)
	Wallplates for Sensi Touch 2 and Sensi Lite smart thermostats. 7"W x 4.6"H	SA6W (white) SA6B (black)	SA6W (white) SA6B (black)
	Sensi room sensor - 1 pack	RS01-SG	RS01-SG
	Temperature knob locking or limiting kit for 1A65-641, 1A65W-641, 1A66-641 and 1A66W-641.	F75-0176	F0075 017600S1
	Temperature lever locking or temperature limiting kit for low voltage thermostats except 1C70, 1C20 and 1E26 series.	F92-0563	F0092 056300S1
	Replacement key for all thermostat guards, F29 series.	F145-0999	F145-0999
	Replacement door 1F90/1F97 (-51, -60, -71) 1F91-71, 1F92-71, 1F94-71, 1F95-71.	F145-1082	F0145 108200S1
	90 Series wired indoor remote sensor. Replaces all previous indoor remote sensors.	F145-1328	F0145 132800S1
	90 Series wired outdoor temperature sensor, for models with outdoor sensor option.	F145-1378	F0145 137800S1
	Wireless remote sensor for 1F98EZ-1621.	F145RF-1600	F145RF-1600
	Thermostat common wire kit	SA11	SA11

TRUST THE CONTROLS TRUSTED BY MORE OEMS.

WHITE-RODGERS
HEATING CONTROLS



THE WIDEST RANGE OF
**UNIVERSAL AND
DIRECT OEM**
REPLACEMENT CONTROLS.

PERIOD.



WHITE-RODGERS™



50M56X-843

UNIVERSAL INTEGRATED FURNACE CONTROLS

Replaces over 700 OEM, White-Rodgers and competitive model numbers.

FEATURES

- Reduces inventory by providing maximum control replacement coverage
- Select models include a universal 120V nitride ignitor to allow replacement of 80V and 120V controls
- Diagnostic LED indicators streamline installation and system troubleshooting
- 120V air cleaner output and 120V humidifier output up to 1 Amp max
- Factory standard safety timings and adjustable fan delay options
- Replaceable automotive style fuse

SPECIFICATIONS

Low Voltage Circuit	24 VAC, 50/60 Hz
Line Voltage Circuit	120 VAC, 50/60 Hz
Circulator Relay	14.5 FLA - 25.0 LRA @ 120 VAC
Circulator Relay: PSC	14.5 FLA - 25.0 LRA @ 120 VAC
Circulator Relay: ECMx	12.0 mA @ 30 VAC
Operating Temperature Range	-40° to 175°F (-40° to 79°C)
Humidity Range	5% to 93% relative humidity (non-condensing)

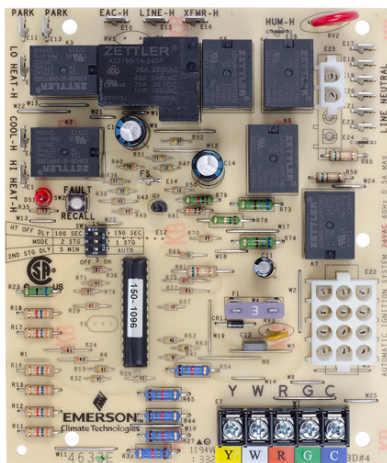
UNIVERSAL INTEGRATED FURNACE CONTROLS

FAMILY BRANDS OF EQUIPMENT	STAGES	IGNITION TYPE	IGNITOR VOLTAGE	INDUCER MOTOR / BLOWER MOTOR	BLOWER MOTOR SPEED TAPS	THERMOSTAT INPUTS	INCLUDES IGNITOR OR ELECTRODE	TWINNING	INCLUDES WIRING ACCESSORIES	COMM SYSTEM	CONTROL MOUNTING	MODEL NUMBER	ITEM NUMBER
Carrier, Goodman, Lennox, Nordyne, Rheem, Trane, York	Single Stage	HSI	120 Vac*	PSC / PSC, ECMx	PSC - 2 or 3 speeds ECMx: 2, 3, 4, 5, & 9 speeds	R, C, W, G, Y1, Y/Y2, DHUM	√	√	—	—	Flush Mount	50M56X-843 ¹	50M56X-843
Carrier, Goodman, Lennox, Trane, York	Single Stage	HSI	120 VAC	PSC / PSC	Heat, Cool	R, C, W, Y G	—	√	√	—	Flush Mount	50A55-843	50A55-843S1
Goodman, Lennox, Trane	Single Stage	HSI	80 VAC only	PSC / PSC	Heat, Cool	R, C, W, Y G	—	—	—	—	Flush Mount	50A65-843	50A65-843S1
Goodman, Lennox, Trane, York	Two-Stage	HSI	120 VAC*	PSC / PSC	Lo Heat, Hi Heat, Cool	R, C, W1, W2, YLo, Y, G	√	√	—	—	Standoff	21M51U-843	21M51U-843
Goodman, Lennox, Trane, York	Two-Stage	HSI	120 VAC*	PSC / Var. Speed	16-pin Interface	R, B/C, W1, W2, YLo, Y, G, O, DHUM	√	—	√	—	Standoff	21V51U-843	21V51U-843

Or†80 VAC applications use supplied 21D64-2 Universal Ignitor.

Or†80 VAC applications purchase 21D64-2 Universal Ignitor.

NOTE: Coming Fall 2022, replaces 50M56U-843 & 50X57-843, uses White-Rodgers Connect app for quick configuration and diagnostics.



50M56-743

**DIRECT OEM REPLACEMENT INTEGRATED
FURNACE CONTROLS**

Direct drop-in replacements for Carrier, Goodman, Lennox, Trane and York.

Features

- Direct OEM replacements designed for high-volume major brand controls
- Models include PSC, Var. speed and ECMx motor control
- Diagnostic LED indicators streamline installation and system troubleshooting
- 120V air cleaner output and 120V humidifier output up to 1 Amp max
- Factory standard safety timings and adjustable fan delay options
- Replaceable, automotive-style fuse

Specifications

Low-Voltage Circuit.....24 VAC, 50 / 60 Hz
 Line-Voltage Circuit..... 120 VAC, 50 / 60 Hz
 Circulator Relay: PSC 14.5 FLA - 25.0 LRA @ 120 VAC; 25A LRA @ 120 VAC
 Circulator Relay: ECMx 4.0 mA RMS @ 18 VAC; 12.0 mA RMS @ 30 VAC
 Operating Temperature Range -40° to 175°F (-40° to 79°C)
 Humidity Range 5% to 93% relative humidity (non-condensing)

Direct OEM Replacement Integrated Furnace Controls

FAMILY BRANDS OF EQUIPMENT	STAGES	IGNITION TYPE	IGNITOR VOLTAGE	INDUCER MOTOR / BLOWER MOTOR	BLOWER MOTOR SPEED TAPS	THERMOSTAT INPUTS	INCLUDES IGNITOR OR ELECTRODE	TWINNING	INCLUDES WIRING ACCESSORIES	COMM SYSTEM	CONTROL MOUNTING	MODEL NUMBER	ITEM NUMBER
Carrier	Single Stage	HSI	120 VAC	PSC/PSC	Heat, Cool, Fan	R, C, W, Y/Y2, Y1, G, DEHUM	—	√	√	—	Cover	50M56U-751	50M56U-751
Carrier	Single Stage	HSI	120 VAC	PSC/PSC	Heat, Cool, Fan	R, C, W, Y, G, DEHUM	—	√	√	—	Flush Mount	50M56D-751	50M56D-751
Carrier	Two-Stage	HSI	120 VAC	PSC/PSC, Var. speed/ECMx	Lo Heat, Hi Heat, Cool	R, COM 24 VAC, W/W1, W2, Y1, Y/Y2, G, DHUM	—	√	√	—	Tray	21V51D-751	21V51D-751
Goodman	Single Stage	HSI	120 VAC	PSC/PSC	Heat, Cool	R, C, W, Y, G	—	√	—	—	Standoff	50A55-743	50A55-743
Goodman	Single Stage	HSI	120 VAC	PSC/PSC	Heat, Cool	R, G, W	—	√	√	—	Standoff	50T35-743	50T35-743
Goodman	Single/Two Stage	HSI	120 VAC	PSC/PSC	Lo Heat, Hi Heat, Cool	R, C, W, Y, G	—	—	√	—	Standoff	50M56-743	50M56-743
Goodman	Single Stage	HSI	120 VAC	PSC/PSC	Heat, Cool	R, C, W, Y, G	—	√	—	—	Standoff	50M56-707	50M56-707
Goodman	Two-Stage	HSI	120 VAC	Var. speed/Var. speed	4-wire Interface	1, 2, R, C, W1, W2, Y1, Y2, G, O DHUM	—	√	—	√	Standoff	50C51-707	50C51-707
Goodman	Two-Stage	HSI	120 VAC	ECMx	6-wire Interface	R, C, W1, W2, YLO, Y, G	—	√	√	—	Standoff	50M58-707	50M58-707
Lennox*	Single Stage	HSI	80 VAC only	PSC/PSC	Heat, Cool, Fan	R, C, W, Y, G	—	—	√	—	Standoff/steel mounting BRKT (INCL)	21D83M-843	21D83M-843
Lennox	Single Stage	HSI	120 VAC	PSC/PSC	Heat, Cool, Fan	R, C, W, Y, G	—	—	√	—	Standoff	50M56U-801	50M56U-801
Lennox*	Single Stage	HSI	80 VAC only	PSC/PSC	Heat, Cool, Fan	R, C, W, Y, G	—	—	—	—	Standoff	50A66-743	50A66-743
Trane*	Single Stage	HSI	120 VAC	PSC/PSC	Heat, Cool	R, C, W, Y, G	—	—	—	—	Standoff	50A55-3797	50A55-3797
Trane*	Single Stage	HSI	80 VAC only	PSC/PSC	Heat, Cool	R, C, W, Y, G	—	√	—	—	Standoff	50A65-5165	50A65-5165
Trane	Two-Stage	HSI	120 VAC**	Var. speed/Var. speed	16-pin Interface	R, B/C W1, W2, Y, YLO, G, O, BK	√	√	√	—	Standoff	50V54-820	50V54-820
York	Single Stage	HSI	120 VAC	PSC/PSC	Heat, Lo Cool, Hi Cool	R, C, W, Y1, Y/Y2, G	—	√	—	—	Standoff/steel mounting BRKT (INCL)	50A56-956	50A56-956
York	Two-Stage	HSI	120 VAC	ECMx	Lo Heat, Hi Heat, Lo Cool, Hi Cool	R, C, WW1, W2, Y1, Y/Y2, G	—	√	√	—	Standoff	50M58-956	50M58-956

* Replaces White-Rodgers OEM Models.

** On 80 VAC applications use supplied 21D64-2 Universal Ignitor.

**NON-INTEGRATED
IGNITION MODULES**

Universal and direct OEM non-integrated controls for various applications that replace over 850 OEM and competitive part numbers.



FEATURES

- Advanced 7-segment LED display for on-board configuration (program keys required on some models)
- Microprocessor-based ignition control
- Works with single-rod or dual-rod remote sensor
- Provides ignition, proof of ignition and precise timings
- LED diagnostic indicator
- For use in Natural and LP gas applications

SPECIFICATIONS

Low Voltage Circuit.....	24 VAC, 50 / 60 Hz
Line Voltage Circuit.....	120 VAC, 50 / 60 Hz
Operating Temp Range	-40° to 175°F (-40° to 79°C)
Humidity Range.....	5% to 95% relative humidity
.....	(non-condensing)

NON-INTEGRATED IGNITION MODULES

FAMILY BRANDS OF EQUIPMENT	STAGES	IGNITION TYPE	IGNITOR VOLTAGE	THERMOSTAT INPUTS	INCLUDES IGNITOR OR ELECTRODE	TWINNING	INCLUDES WIRING ACCESSORIES	MOUNTING	MODEL NUMBER	ITEM NUMBER
Carrier, Goodman, Lennox, Trane, York	Single Stage	HSI	120 VAC	TH (W) , TR (C)	—	—	√	Surface mount or 4" x 4" junction box	50E47-843	50E47 843S1
Carrier, Goodman, Lennox, Trane, York, Pentair, StaRite, Jandy	Single Stage	HSI	24,120, 240 VAC	TH (W) , TR (C)	—	—	√	Surface mount or 4" x 4" junction box	50E47U-843 ¹	50E47U 843
Carrier, Lennox, Goodman, Rheem, Trane, York	Single Stage	Proven / Intermittent Pilot - Spark & Direct Spark	—	TH (W) , TR (C)	—	—	√	Surface mount or 4" x 4" junction box	50D50U-843 ¹	50D50U 843
Lennox	Single Stage	Proven / Intermittent Pilot - Spark	—	TH (W) , TR (C)	√	—	√	Surface mount or 4" x 4" junction box or with steel bracket	50D50-801	50D50-801

¹ These ignition modules utilize the White-Rodgers Connect app for quick configuration and accurate diagnostics.

NON-INTEGRATED CYCLE PILOT RELIGHT CONTROL

DESCRIPTION	INPUT VOLTAGE	ELECTRICAL RATING	MODEL NUMBER	ITEM NUMBER
Generates spark until pilot is lit spike connector	24 VAC	0.03 amps	5059-134	50 59 134S1

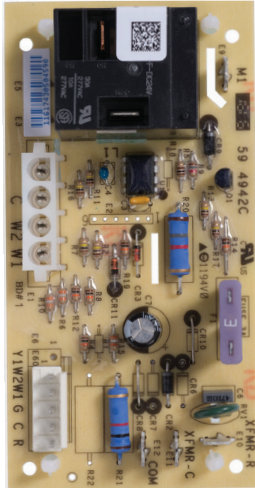
INTEGRATED THERMOSTAT SENSOR²

DESCRIPTION	LEAD WIRE LENGTH (IN)	TEMPERATURE TOLERANCE	MODEL NUMBER	ITEM NUMBER
Integrated Temperature Sensor for select Ignition Modules	48	+/- 5% at 77 °F (25 °C)	F67-8535 ²	F67-8535

² The integrated thermostat sensor when installed in the ignition module acts independently to maintain temperature without an external thermostat. For use on infrared heaters and tube heaters.

AIR HANDLER AND TIME DELAY CONTROLS

Variable speed, ECMx air handler and PSC blower time delay relay controls.



48P21-811

FEATURES

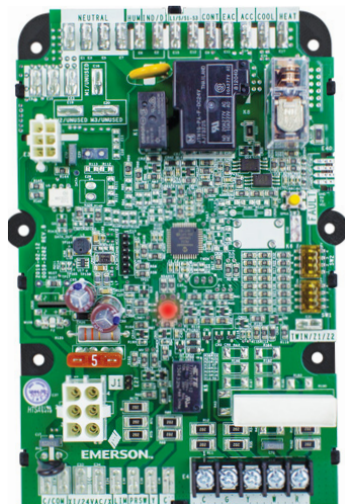
- Goodman style controls for communicating or legacy systems
- Trane style single stage blower time delay relay for PSC inducer and blower allows residual cooled air to be blown into the controlled space, increasing efficiency
- Rheem single stage air handler controls available for both PSC and ECMx blower motors
- Carrier controls offer a selectable fan off delay switch of 0 or 90 seconds

SPECIFICATIONS

Operating Temperature Range -40 to 175°F (-40 to 79°C)
 Input Voltage 24 VAC 50/60 Hz
 Input Voltage (48C21-707).....24 VAC 60 Hz

AIR HANDLER AND TIME DELAY CONTROLS

OEM DIRECT REPLACEMENT	DESCRIPTION	BLOWER MOTOR	MOUNTING	BLOWER MOTOR SPEED TAPS	THERMOSTAT INPUTS	ADDITIONAL WIRING ACCESSORIES	COMMUNICATING SYSTEM	MODEL NUMBER	ITEM NUMBER
Carrier	Single Stage Air Handler	PSC or ECMx	Metal Standoff	1	R, C, G, W	—	—	48M55-751	48M55-751
Carrier	Single Stage Air Handler	PSC	Metal Standoff	1	R, C, G, W	—	—	48P55-751	48P55-751
Goodman	Two-Stage Air Handler	Variable Speed	Standoff	4-wire Interface	1, 2, R, C, W1, W2, Y1, Y2, G, O, DEHUM	—	√	48C21-707	48C21-707
Rheem	Single Stage Air Handler	PSC	Standoff	M1, Fan	R, C, G, W1, W2, Y1	√	—	48P21-811	48P21-811
Rheem	Single Stage Air Handler	ECMx	Standoff	X13 SPD, X13 G, COM	X13 SPD, X13 G, COM	—	—	48X21-811	48X21-811
Trane	Single Stage Time Delay	PSC	Metal Plate	—	—	—	—	57T01-843	57T01-843



50F06-843

**UNIVERSAL FURNACE ELECTRONIC FAN
TIMER**

The 50F06-843 is an aftermarket universal replacement fan timer control for single stage furnaces with PSC inducer and blower motors. Works with non-integrated furnace controls or intelligent valves.

FEATURES

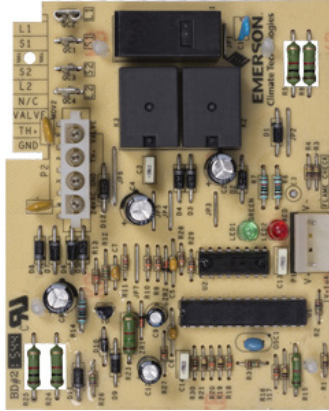
- Six mounting hole options that works with 2 or 4 screw configurations
- Harnesses with terminal flags for easy wiring
- Terminals are labeled to match multiple existing boards
- Transformer connections offer 1/4" and 3/16" terminals
- Tri-Color LED displays status and fault codes
- Exclusive fault recall button

SPECIFICATIONS

Ambient Operating Temperature..... -40 to 175°F (-40 to 79°C)
 Humidity Range 5% to 95% relative humidity (non-condensing)
 Dimensions 5.0"W x 7.0"L x 1.50"D

UNIVERSAL FURNACE ELECTRONIC FAN TIMER

DESCRIPTION	INPUT LOW VOLTAGE	INPUT LINE VOLTAGE	MAX INPUT CURRENT	BLOWER MOTOR	MODEL NUMBER	ITEM NUMBER
Universal Electronic Fan Timer for non-integrated single stage furnaces. Replaces Honeywell ST9120U1011, ICM270, and Robertshaw 695-003	25 VAC 60 Hz	115/230 VAC, 60 Hz	800mA @ 25 VAC	PSC	50F06-843	50F06-843



50E70-820

COMMERCIAL ROOFTOP AND PACKAGE UNIT

For Trane Integrated and Non-Integrated ignition, single and two stage.

FEATURES

- For Trane Integrated and Non-Integrated ignition, single and two stage
- Direct replacement and adapter board style controls
- For Hot Surface Ignition and Direct Spark systems
- Integrated models control fan functions Non-Integrated models provide burner supervision

SPECIFICATIONS

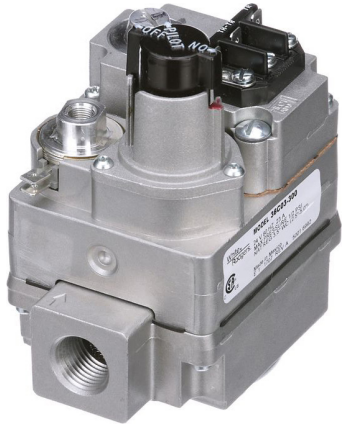
Operating Voltage 18 to 30 VAC
 Operating Temperature Range -40° to 175°F (-40° to 79°C)
 Humidity Range 0 to 95% relative humidity (non-condensing)

COMMERCIAL ROOFTOP & PACKAGE UNIT

FAMILY BRANDS OF EQUIPMENT	STAGES	CONTROL TYPE	IGNITION TYPE	IGNITOR VOLTAGE	INDUCER MOTOR / BLOWER MOTOR	BLOWER MOTOR SPEED TAPS	THERMOSTAT INPUTS	INCLUDES WIRING ACCESSORIES	CONTROL MOUNTING	MODEL NUMBER	ITEM NUMBER
Trane	Single Stage	Non-Integrated Ignition Module	HSI	120 VAC	PSC / PSC	—	System 4 Pin Connector	√	Stand-Offs / Adapter Board	50E70-820	50E70-820
Trane	Two-Stage	Integrated Furnace Control 80 Second Time Delay	Direct Spark	—	PSC / PSC	Hi, Low	R (24 VAC), B (GND), W1, W2, Y, G	—	Stand-Offs / Adapter Board	50N02A-820	50N02A-820
Trane	Two-Stage	Integrated Furnace Control 45 Second Time Delay	Direct Spark	—	PSC / PSC	Hi, Low	R (24 VAC), B (GND), W1, W2, Y, G	—	Stand-Offs / Adapter Board	50N02B-820	50N02B-820
Trane	—	Adapter Board for 50N02A or B Controls	—	—	—	—	—	√	Adapter Board	F50N02-820	F50N02-820

36C SERIES UNIVERSAL STANDING PILOT

Universal replacements for Standing Pilot systems



36C01A-405

FEATURES

- Line interrupter styles use standard 30 mV thermocouples
- Straight through design with side tapped models available
- Inlet / outlet reducer bushings included on select models
- Mounting position upright, or 0° to 90° from upright in any direction

SPECIFICATIONS

Electrical Rating 0.23 amps
 Ambient Operating Range -40 to 175°F (-40 to 79°C)
 Maximum Pressure Rating 1/2" PSI (14.0" WC)
 Pilot Gas Connection Compression fitting for 1/4" OD tubing
 Inlet & Outlet Pressure Taps 1/8" NPT
 UR/CUR File Number MP1323
 CSA/CUS Certificate Number 1113449

PIPE SIZE	1" PRESSURE DROP CAPACITY NATURAL GAS .64 SP. GR. (1000 BTU/FT ³)	1" PRESSURE DROP CAPACITY LP GAS 1.53 SP. GR. (2500 BTU/FT ³)	RANGE OF REGULATION NATURAL GAS .64 SP. GR. (1000 BTU/FT ³)	RANGE OF REGULATION LP GAS 1.53 SP. GR. (2500 BTU/FT ³)
1/2" X 3/8"	100,000	162,000	15,000-100,000	15,000-162,000
1/2" X 1/2"	230,000	372,600	30,000-290,000	30,000-469,000
1/2" X 3/4"	230,000	372,600	30,000-290,000	30,000-469,000
3/4" X 3/4"	280,000	453,600	50,000-400,000	50,000-648,000

36C SERIES UNIVERSAL STANDING PILOT

VOLTAGE	STAGES / OPENING	PIPE SIZE	REGULATOR SETTING	NATURAL GAS ADJ. RANGE (WC)	LP GAS ADJ. RANGE (WC)	LP KIT INCLUDED	REDUCER BUSHING KIT	FLOW DIRECTION	SIDE TAPS	INLET / OUTLET PRESSURE TAP	STANDING PILOT WITH LINE INTERRUPTER	INTERNAL WIRING SEE FIGURE	MODEL NUMBER	ITEM NUMBER
120 VAC 60 Hz	1 - Stage Fast Open	3/4" x 3/4"	3.5"	2.5"-5.0"	7.5"-12.0"	Yes	Yes	Str. Thru	No	No / Yes	Yes	3	36C03A-410	36C03A410S1
120 VAC 60 Hz	1 - Stage Fast Open	3/4" x 3/4"	3.5"	2.5"-5.0"	4.2"-11.0"	Yes	Yes	Str. Thru	No	No / Yes	Yes*	3	36C01A-405	36C01A405S1
24 VAC 60 Hz	1 - Stage Fast Open	1/2" X 3/4"	3.5"	2.5"-5.0"	7.5"-12.0"	Yes	Yes	Str. Thru	No	No / Yes	Yes	1	36C03-300	36C03-300
24 VAC 60 Hz	1 - Stage Fast Open	1/2" X 3/4"	3.5"	2.5"-5.0"	7.5"-12.0"	Yes	Yes	Str. Thru	Yes	Yes / Yes	Yes	1	36C03-333	36C03-333
24 VAC 60 Hz	1 - Stage Fast Open	3/4" x 3/4"	3.5"	2.5"-5.0"	7.5"-12.0"	Yes	Yes	Str. Thru	No	Yes / Yes	Yes	1	36C03-400	36C03-400
24 VAC 60 Hz	1 - Stage Fast Open	3/4" x 3/4"	3.5"	2.5"-5.0"	7.5"-12.0"	Yes	Yes	Str. Thru	Yes	Yes / Yes	Yes	1	36C03-433	36C03-433

36C SERIES UNIVERSAL STANDING PILOT (CONTINUED)

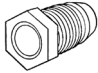
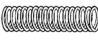
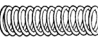
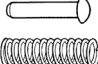
VOLTAGE	STAGES / OPENING	PIPE SIZE	REGULATOR SETTING	NATURAL GAS ADJ. RANGE (WC)	LP GAS ADJ. RANGE (WC)	LP KIT INCLUDED	REDUCER BUSHING KIT	FLOW DIRECTION	SIDE TAPS	INLET / OUTLET PRESSURE TAP	STANDING PILOT WITH LINE INTERRUPTER	INTERNAL WIRING SEE FIGURE	MODEL NUMBER	ITEM NUMBER
24 VAC 60 Hz	1 - Stage Fast Open	3/4" x 3/4"	3.5"	2.5"-5.0"	7.5"-12.0"	No **	Yes	Str. Thru	No	No / Yes	Yes	1	36C53-418	36C53 418S1
24 VAC 60 Hz	1 - Stage Fast Open	1/2" X 1/2"	3.5"	2.5"-5.0"	7.5"-12.0"	No	No	Str. Thru	No	Yes / Yes	Yes	1	36C03-258	36C03 258S1
750 mV	1 - Stage Fast Open	1/2" X 3/4"	3.5"	2.5"-5.0"	7.5"-12.0"	Yes	Yes	Str. Thru	Yes	Yes / Yes	Yes	2	36C03U-333	36C03U-333
750 mV	1 - Stage Fast Open	3/4" x 3/4"	3.5"	2.5"-5.0"	7.5"-12.0"	Yes	Yes	Str. Thru	Yes	Yes / Yes	Yes	2	36C03U-433	36C03U-433

NOTE: Not for HSI / DSI / Intermittent / Proven Pilot.

* 36C01A-405 has pilot port but no thermocouple line interrupter.

** 36C53-418 order F92-0659 Nat. to LP conversion kit for 7.5"-12.0" range.
See White-Rodgers General Information for capacities of other gases.

PARTS AND ACCESSORIES

IMAGE	DESCRIPTION	MODEL NUMBER	ITEM NUMBER
	Brass Compression Fitting for 1/4" Pilot Line Connections 7/16"-24 Thread	F69-0727	F0069 072700S1
	LP to Natural Gas Conversion Kit for Use On Single Stage 36C, D, E, F, G, H, J Valves, Regulation Range 2.5" to 5.0"W.C.	F92-0656	F0092 065600S1
	Natural to Regulated LP Gas Conversion Kit for Use On Single Stage 36C, D, E, F, G, H, J Valves. Regulation Range 7.0 " to 12.0"W.C.	F92-0659	F0092 065900S1
	Natural to Unregulated LP Gas Conversion Kit for All 36C00 Valves. Use With External Regulator Set for LP Gas	F92-0737	F0092 073700S1



36C94-303

36C SERIES HSI / DSI / INTERMITTENT / PROVEN PILOT

Ideal general purpose replacements for Intermittent Ignition systems.

FEATURES

- Straight through design
- Inlet / outlet reducer bushings included
- Mounting position upright, or 0° to 90° from upright in any direction
- Special Intermittent Ignition Device model for two-stage applications (36C74-913)

SPECIFICATIONS

Electrical Rating 0.6 amps
 Ambient Operating Range -40 to 175°F (-40 to 79°C)
 Maximum Pressure Rating 1/2" PSI (14.0" WC)
 Pilot Gas Connection Compression fitting for 1/4" OD tubing
 Inlet & Outlet Pressure Taps 1/8" NPT
 UR/CUR File Number MP1323
 CSA/CUS Certificate Number 1113449

PIPE SIZE	1" PRESSURE DROP CAPACITY NATURAL GAS .64 SP. GR. (1000 BTU/FT ³)	1" PRESSURE DROP CAPACITY LP GAS 1.53 SP. GR. (2500 BTU/FT ³)	RANGE OF REGULATION NATURAL GAS .64 SP. GR. (1000 BTU/FT ³)	RANGE OF REGULATION LP GAS 1.53 SP. GR. (2500 BTU/FT ³)
1/2" X 3/8"	100,000	162,000	15,000-100,000	15,000-162,000
1/2" X 1/2"	230,000	372,600	30,000-290,000	30,000-469,000
1/2" X 3/4"	230,000	372,600	30,000-290,000	30,000-469,000
3/4" X 3/4"	280,000	453,600	50,000-400,000	50,000-648,000

36C SERIES HSI / DSI, INTERMITTENT / PROVEN PILOT

VOLTAGE	STAGES / OPENING	PIPE SIZE	REGULATOR SETTING	NATURAL GAS ADJ. RANGE (WC)	LP GAS ADJ. RANGE (WC)	LP KIT INCLUDED	REDUCER BUSHING KIT	FLOW DIRECTION	SIDE TAPS	INLET / OUTLET PRESSURE TAP	HSI / DSI	INTERMITTENT / PROVEN PILOT	INTERNAL WIRING SEE FIGURE	MODEL NUMBER	ITEM NUMBER
24 VAC 60 Hz	Step Open	3/4" x 3/4"	0.9"/3.5"	2.5"-5.0"	Nat. Only	No	Yes	Str. Thru	No	Yes / Yes	Yes	Yes	5	36C74-913	36C74-913

36C SERIES INTERMITTENT / PROVEN PILOT

24 VAC 60 Hz	Delay Slow	1/2" X 3/4"	3.5"	2.5"-5.0"	7.5"- 12.0"	Yes	No	Str. Thru	No	Yes / Yes	No	Yes	15	36C94-303	36C94-303
-----------------	---------------	-------------	------	-----------	----------------	-----	----	-----------	----	-----------	----	-----	----	-----------	-----------

NOTE: Not for Standing Pilot.

PARTS AND ACCESSORIES

IMAGE	DESCRIPTION	MODEL NUMBER	ITEM NUMBER
	Brass Compression Fitting for 1/4" Pilot Line Connections 7/16"-24 Thread	F69-0727	F0069 072700S1
	LP to Natural Gas Conversion Kit for Use On Single Stage 36C, D, E, F, G, H, J Valves, Regulation Range 2.5" to 5.0"W.C.	F92-0656	F0092 065600S1
	Natural to Regulated LP Gas Conversion Kit for Use On Single Stage 36C, D, E, F, G, H, J Valves. Regulation Range 7.0 " to 12.0"W.C.	F92-0659	F0092 065900S1
	Natural to Unregulated LP Gas Conversion Kit for All 36C00 Valves. Use With External Regulator Set for LP Gas	F92-0737	F0092 073700S1



36C84-912

36C CYCLE PILOT GAS VALVES

Ideal general purpose replacements for Cycle-Pilot Intermittent Ignition systems

FEATURES

- Straight through design
- Mounting position upright, or 0° to 90° from upright in any direction
- Inlet/outlet reducer bushings

SPECIFICATIONS

Electrical Rating 0.6 amps
 Maximum Pressure Rating 1/2 PSI (14.0" W.C.)
 Ambient Operating Range -40 to 175°F (-40 to 79°C)
 UR/CUR File Number MP1323
 CSA/CUS Certificate Number 1113449

PIPE SIZE	1" PRESSURE DROP CAPACITY		RANGE OF REGULATION	
	BTU/HR		BTU/HR	
	1" PRESSURE DROP CAPACITY NATURAL GAS .64 SP. GR. (1000 BTU/FT ³)	1" PRESSURE DROP CAPACITY LP GAS 1.53 SP. GR. (2500 BTU/FT ³)	RANGE OF REGULATION NATURAL GAS .64 SP. GR. (1000 BTU/FT ³)	RANGE OF REGULATION LP GAS 1.53 SP. GR. (2500 BTU/FT ³)
1/2" X 3/8"	100,000	162,000	15,000-100,000	15,000-162,000
1/2" X 1/2"	230,000	372,600	30,000-290,000	30,000-469,000
1/2" X 3/4"	230,000	372,600	30,000-290,000	30,000-469,000
3/4" X 3/4"	280,000	453,600	50,000-400,000	50,000-648,000

36C SERIES CYCLE PILOT

VOLTAGE	STAGES / OPENING	PIPE SIZE	REGULATOR SETTING	NATURAL GAS ADJ. RANGE (WC)	LP GAS ADJ. RANGE (WC)	LP KIT INCL	REDUCER BUSHING KIT	FLOW DIRECTION	SIDE TAPS	INLET / OUTLET PRESSURE TAP	INTERMITTENT / PROVEN PILOT	INTERNAL WIRING SEE FIGURE	MODEL NUMBER	ITEM NUMBER
24 VAC 60 Hz	1 - Stage Fast Opening	3/4" x 3/4"	3.5"	2.5"-5.0"	7.5"-12.0"	Yes	Yes	Str. Thru	No	Yes / Yes	Cycle Pilot	7	36C84-912	36C84 912
24 VAC 60 Hz	1 - Stage Fast Opening	3/4" x 3/4"	3.5"	2.5"-5.0"	7.5"-12.0"	Yes	Yes	Str. Thru	No	Yes / Yes	Cycle Pilot	7	36C84-921	36C84 921
24 VAC 60 Hz	1 - Stage Fast Opening	3/4" x 3/4"	3.5"	2.5"-5.0"	Nat. Only	No	No	Str. Thru	No	Yes / Yes	Cycle Pilot	14	36C84-923	36C84 923
24 VAC 60 Hz	1 - Stage Fast Opening	3/4" x 3/4"	3.5"	2.5"-5.0"	Nat. Only	No	Yes	Str. Thru	No	No / No	Cycle Pilot	4	36C84-926	36C84 926
24 VAC 60 Hz	1 - Stage Fast Opening	3/4" x 3/4"	3.5"	2.5"-5.0"	7.5"-12.0"	Yes	Yes	Str. Thru	No	Yes / Yes	Cycle Pilot	8	36C84-945	36C84 945
24 VAC 60 Hz	1 - Stage Fast Opening	3/4" x 3/4"	3.5"	2.5"-5.0"	Nat. Only	No	Yes	Str. Thru	No	Yes / Yes	Cycle Pilot	7	36C94-906	36C94 906

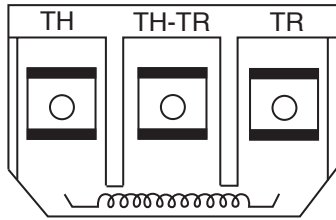
NOTE: Not for Standing Pilot / HSI / DSI.
 NOTE: -9XX series replaces -4XX series. Knob replaced with an ON-OFF switch.
 See White-Rodgers General information for capacities of other gases.

PARTS AND ACCESSORIES

IMAGE	DESCRIPTION	MODEL NUMBER	ITEM NUMBER
	Bracket for Bryant pilots when retrofitting with Cycle-Pilot®.	F6-1794	F0006 179400B1
	LP to Natural Gas Conversion Kit for Use On Single Stage 36C, D, E, F, G, H, J Valves, Regulation Range 2.5" to 5.0"W.C.	F92-0656	F0092 065600S1
	Natural to Regulated LP Gas Conversion Kit for Use On Single Stage 36C, D, E, F, G, H, J Valves. Regulation Range 7.0" to 12.0"W.C.	F92-0659	F0092 065900S1
	Natural to Unregulated LP Gas Conversion Kit for All 36C00 Valves. Use With External Regulator Set for LP Gas	F92-0737	F0092 073700S1

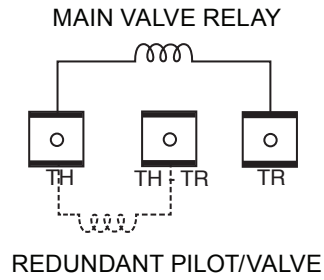
IMAGE	DESCRIPTION	MODEL NUMBER	ITEM NUMBER
	Gas valve pilot fitting 1/4" brass compression fitting for pilot line connections.	F69-0727	F0069 072700S1
	36" replacement harness assembly for connection of 5059-23 to 36C84-426 in the 21D18-3 Cycle-Pilot® retrofit kit.	F115-0064	F0115 006400S1
	36" replacement harness assembly for connection of 5059-23 to 36C86-302 in the 21D18-14 Cycle-Pilot® retrofit kit.	F115-0087	F0115 008700

3 TERMINAL PANEL



Some models have screw terminals instead of spade terminals shown

FIG. 1



Some models may not have redundant valve

MILLIVOLT 3 TERMINAL PANEL

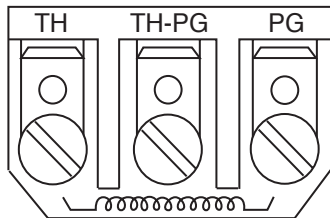
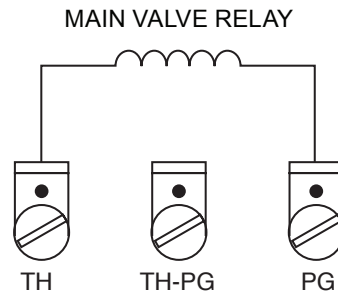


FIG. 2



SNAP OPEN

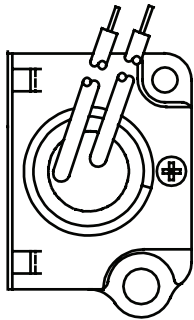


FIG. 3



CYCLE PILOT

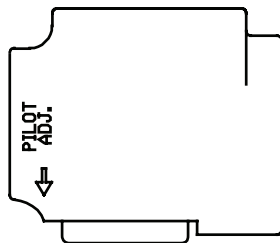
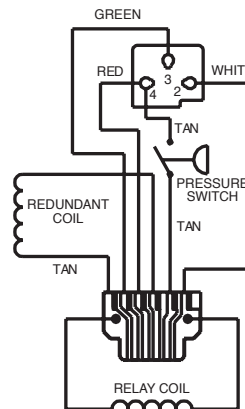


FIG. 4



4 TERMINAL PANEL

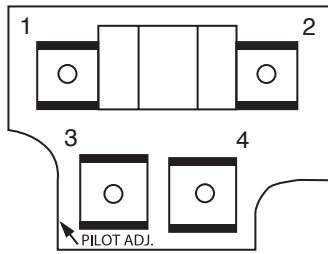
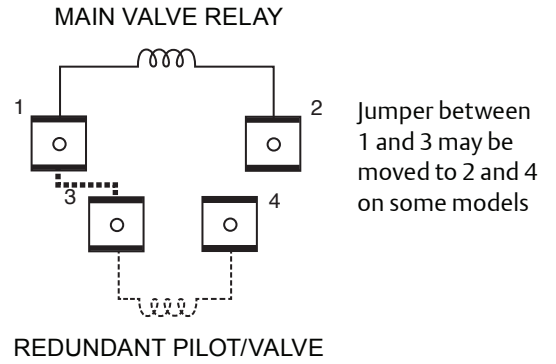


FIG. 5



BI-METAL TWO STAGE

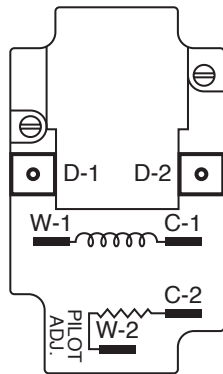
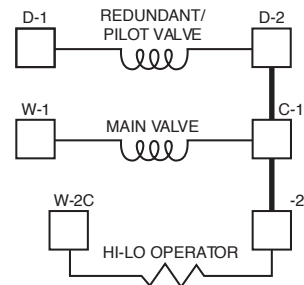
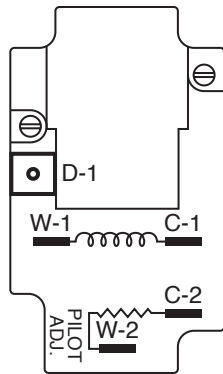


FIG. 6A

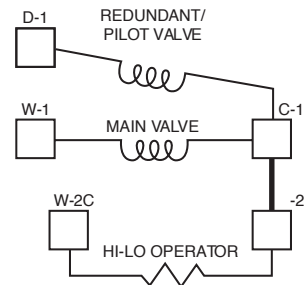


BI-METAL TWO STAGE



On some models, W1 and W2 are designated GV1 and GV2

FIG. 6B



CYCLE PILOT PLUG-IN

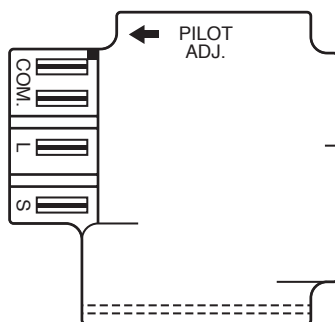
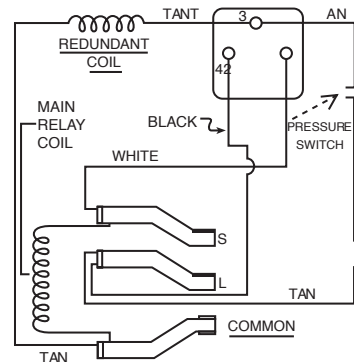
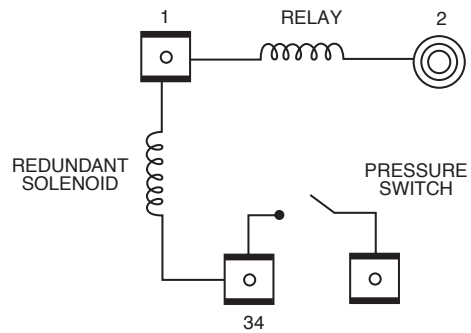
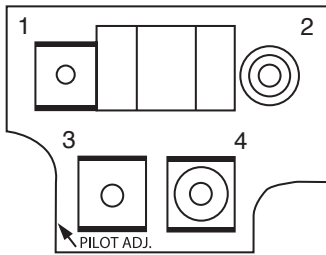


FIG. 7



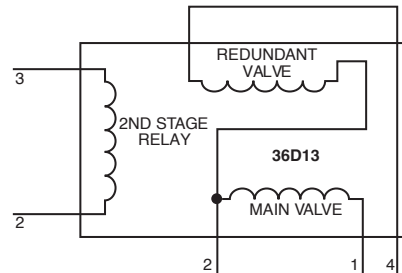
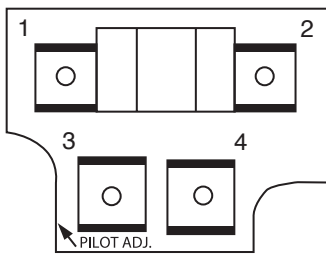
CYCLE PILOT WITH 4 TERMINAL PANEL

FIG. 8



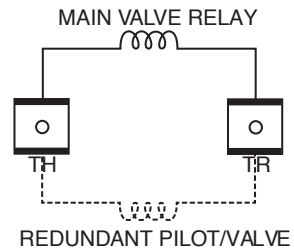
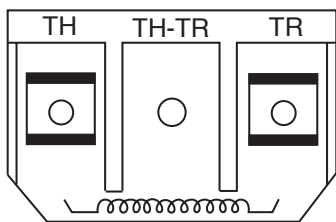
RELAY TWO STAGE

FIG. 9



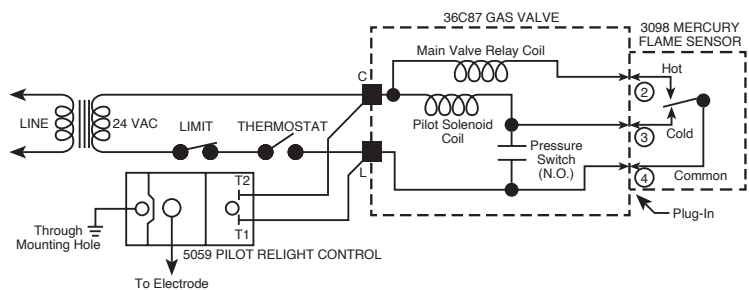
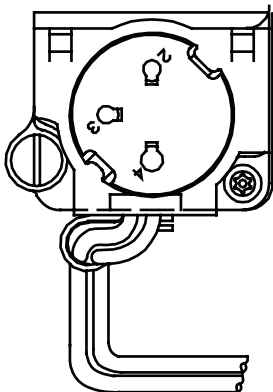
2 TERMINAL PANEL

FIG. 10



CYCLE PILOT

FIG. 11



CYCLE PILOT

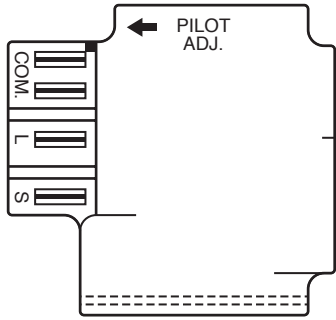
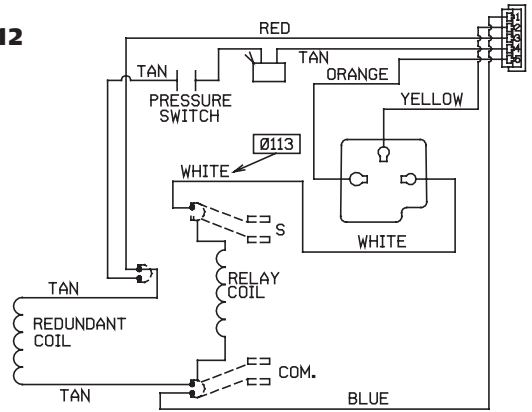


FIG. 12



CYCLE PILOT

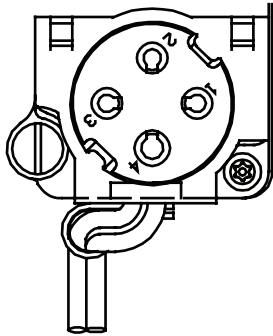
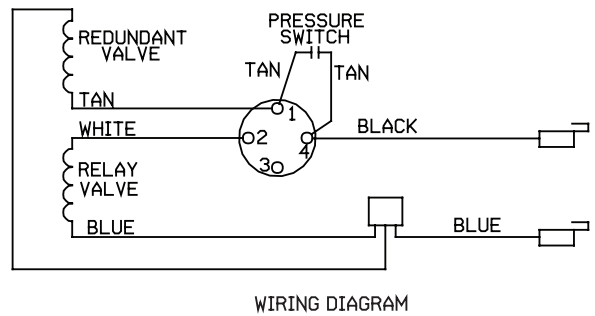


FIG. 13



CYCLE PILOT

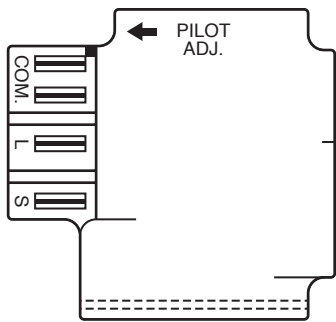
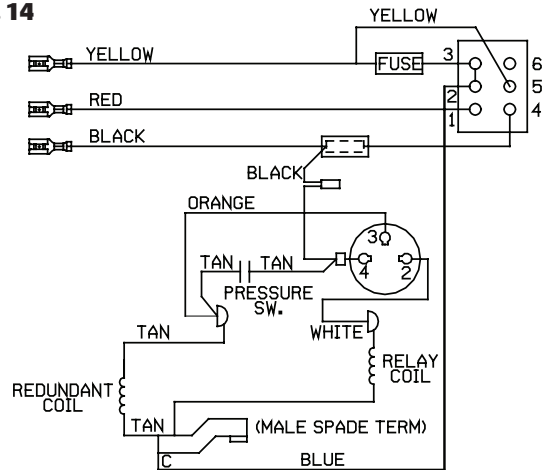


FIG. 14



INTERMITTENT IGNITION

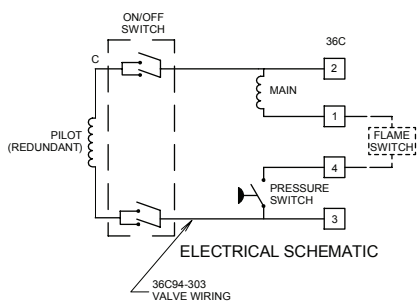


FIG. 15

36E93 Terminal Panel		36C94 Terminal Panel	
36E93-301	Description	Terminal and Size	36C94-303
36E93-302			36C94-302
36E93-303			
36E93-304			
Old Terminals			New Terminals
5P	Pilot (Redundant) Coil	1/4" Male Spade	3
1M	Main Coil	1/4" Male Spade	1
4P	Pressure Switch	1/4" Male Spade with 1/4" x 3/16" adapter installed	4
2	Common	1/4" Male Spade	2
3			

36H SERIES HSI / DSI / INTERMITTENT / PROVEN PILOT



36H32-423

Universal electronic ignition gas valves. Our highest capacity multi-function combination control covering a wide range of gas heating applications.

FEATURES

- Pilot port plugged for Hot Surface and Direct Spark Ignition systems, remove plug for Intermittent / Proven Pilot systems
- Fast open, slow open, single and two stage models
- Electric on-off switch and convenient quick connect coil terminals
- Tamper resistant screws and controlled gasket compression to withstand high inlet pressures
- Mounting position upright, or 0° to 90° from upright in any direction

SPECIFICATIONS

Operating Voltage.....	24 VAC 50/60 Hz
Electrical Rating - Single Stage.....	0.41 amps
Electrical Rating - Two Stage.....	0.54 amps
Ambient Operating Range.....	-40 to 175°F (-40 to 79°C)
Maximum Pressure Rating.....	1/2" PSI (14.0" WC)
CSA/CUS Certificate Number.....	1636373

PIPE SIZE	1" PRESSURE DROP CAPACITY NATURAL GAS .64 SP. GR. (1000 BTU/FT ³)	1" PRESSURE DROP CAPACITY LP GAS 1.53 SP. GR. (2500 BTU/FT ³)	RANGE OF REGULATION NATURAL GAS.64 SP. GR. (1000 BTU/FT ³)	RANGE OF REGULATION LP GAS1.53 SP. GR. (2500 BTU/FT ³)
3/4" x 3/4"	300,000	486,000	50,000-400,000	81,000-648,000
1/2" x 3/4"	230,000	372,600	50,000-300,000	80,000-500,000
1/2" x 1/2"	170,000	275,500	40,000-240,000	40,000-400,000

36H SERIES HSI / DSI / INTERMITTENT / PROVEN PILOT

VOLTAGE	STAGES / OPENING	PIPE SIZE	REGULATOR SETTING	NATURAL GAS ADJ. RANGE (WC)	LP GAS ADJ. RANGE (WC)	LP KIT INCLUDED	REDUCER BUSHING KIT	FLOW DIRECTION	SIDE TAPS	INLET / OUTLET PRESSURE TAP*	HSI / DSI INTERMITTENT / PROVEN PILOT	INTERNAL WIRING SEE FIGURE	MODEL NUMBER	ITEM NUMBER
24 VAC 50/60Hz	1 - Stage Fast Open	1/2" X 1/2"	3.5"	2.5"-5.0"	5.0"-12.0"	Yes	No	Str. Thru	No	Yes / Yes	Yes	1	36H32-214	36H32-214
24 VAC 50/60Hz	1 - Stage Fast Open	1/2" X 3/4"	3.5"	2.5"-5.0"	5.0"-12.0"	Yes	Yes	Str. Thru	No	Yes / Yes	Yes	1	36H32-304	36H32-304
24 VAC 50/60Hz	1 - Stage Fast Open	3/4" X 3/4"	3.5"	2.5"-5.0"	5.0"-12.0"	Yes	Yes	Str. Thru	No	Yes / Yes	Yes	1	36H32-423	36H32-423
24 VAC 50/60Hz	1 - Stage Slow Open	3/4" X 3/4"	3.5"	2.5"-5.0"	5.0"-12.0"	Yes	Yes	Str. Thru	No	Yes / Yes	Yes	1	36H33-412	36H33-412
24 VAC 50/60Hz	2 - Stage Fast Open	3/4" X 3/4"	1.1" Low 3.5" High	1.0"-3.5" Low 2.5"-5.0" High	4.0"-9.5" Low 8.0"-12.0" High	Yes	Yes	Str. Thru	No	Yes / Yes	Yes	1	36H64-463	36H64-463
24 VAC 50/60Hz	2 - Stage Slow Open	3/4" X 3/4"	1.1" Low 3.5" High	1.0"-3.5" Low 2.5"-5.0" High	4.0"-9.5" Low 8.0"-12.0" High	Yes	Yes	Str. Thru	No	Yes / Yes	Yes	1	36H65-401	36H65-401

* To measure outlet pressure on valves, loosen outlet pressure tap screw one quarter turn and put manometer hose over the top of the outlet pressure tap. See White-Rodgers General Information for capacities of other gases.

NOTE: Not for Standing Pilot.

PARTS AND ACCESSORIES

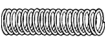
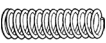
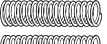



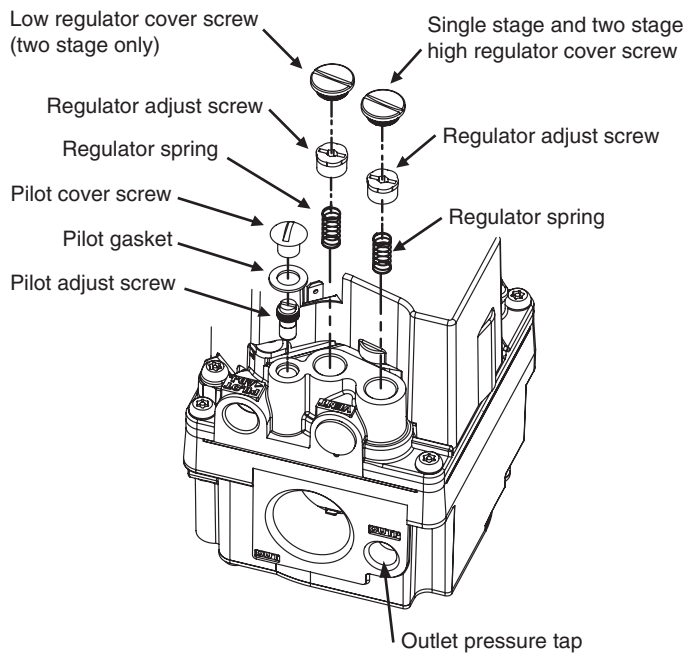
IMAGE	DESCRIPTION	MODEL NUMBER	ITEM NUMBER
	LP to Natural Gas Conversion Kit for Use On Single Stage 36C, D, E, F, G, H, J Valves, Regulation Range 2.5" to 5.0"W.C.	F92-0656	F0092 065600S1
	Natural to Regulated LP Gas Conversion Kit for Use On Single Stage 36C, D, E, F, G, H, J Valves. Regulation Range 7.0" to 12.0"W.C.	F92-0659	F0092 065900S1

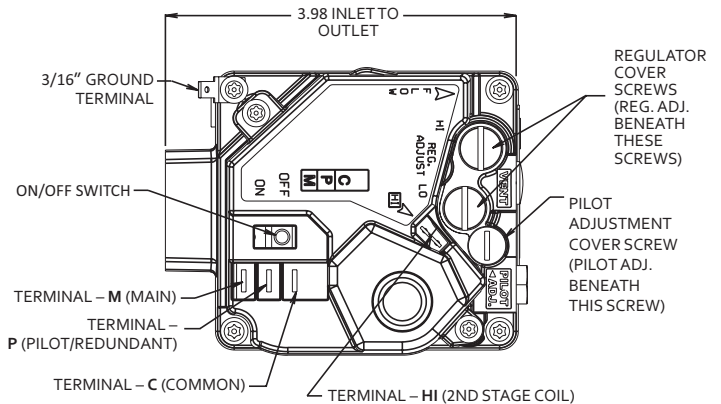
IMAGE	DESCRIPTION	MODEL NUMBER	ITEM NUMBER
 	Natural to Regulated LP Gas Conversion Kit for Use On Two Stage 36G, H, J, Valves, Regulation Range 4.0" to 10.0"W.C. Low Fire, 6.0" to 12.0"W.C. High Fire	F92-1008	F0092 100800
 	Regulated LP to Natural Gas Conversion Kit for Use On Two Stage 36G, H, J, Valves, Regulation Range 1.0" to 4.0"W.C. Low Fire, 2.0" to 5.0" W.C. High Fire	F92-1011	F0092 101100

36H WIRING INFORMATION

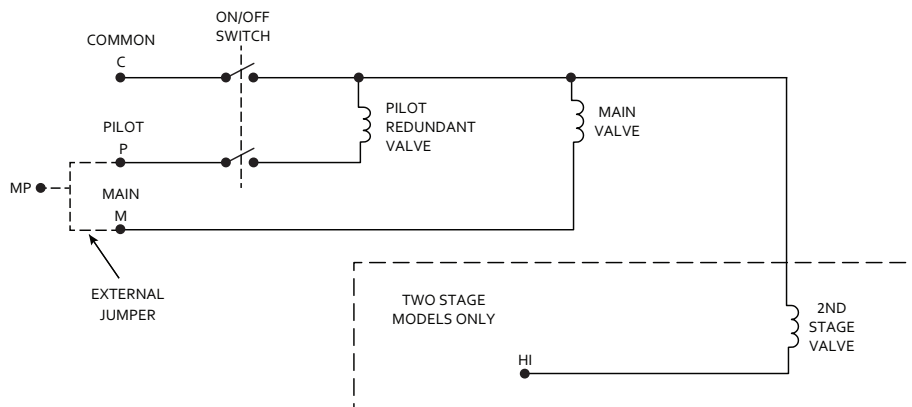
SIMPLIFIED GAS VALVE INTERNAL WIRING AND TERMINAL IDENTIFICATION



SINGLE AND TWO STAGE



FEATURES AND TERMINAL IDENTIFICATION





36G22-254

36G / J SERIES HSI / DSI / INTERMITTENT / PROVEN PILOT

Electronic ignition gas valve. The versatile 36G/36J series combination gas valve covers a wide range of applications. Designed for use with common ignition systems (HSI/DSI/Intermittent/Proven Pilot). This series is our most compact footprint combination gas valve.

FEATURES

- Designed for hot surface, direct spark and intermittent pilot ignition systems and features a compact footprint and versatile range
- Fast open, slow open, single and two stage models
- Electric on-off switch and convenient quick connect coil terminals and built-in pressure taps
- Tamper resistant screws and controlled gasket compression to withstand high inlet pressures
- Mounts in any position including upside down

SPECIFICATIONS

Operating Voltage.....	24 VAC 50/60 Hz
Electrical Rating - Single Stage.....	.3 amps
Electrical Rating - Two Stage.....	.43 amps
Ambient Operating Range.....	-40 to 175°F (-40 to 79°C)
Maximum Pressure Rating.....	1/2" PSI (14.0" WC)
CSA/CUS Certificate Number.....	1175379
.....	CE (36J)

VALVE (STAGES)	PIPE SIZE	1" PRESSURE DROP CAPACITY NATURAL GAS .64 SP. GR. (1000 BTU/FT ³)	1" PRESSURE DROP CAPACITY LP GAS 1.53 SP. GR. (2500 BTU/FT ³)	RANGE OF REGULATION NATURAL GAS.64 SP. GR. (1000 BTU/FT ³)	RANGE OF REGULATION LP GAS 1.53 SP. GR. (2500 BTU/FT ³)
Single	1/2" x 1/2"	140,000	226,800	40,000-210,000	60,000-340,000
Two	1/2" x 1/2"	140,000	226,800	20,000 Low-210,000 High	32,000 Low-340,000 High
Modulating	1/2" x 1/2"	140,000	226,800	20,000-210,000	32,600-340,000

36G / J SERIES HSI / DSI / INTERMITTENT / PROVEN PILOT

VOLTAGE	STAGES / OPENING	PIPE SIZE	REGULATOR SETTING	NATURAL GAS ADJ. RANGE (WC)	LP GAS ADJ. RANGE (WC)	LP KIT INCLUDED	REDUCER BUSHING KIT	FLOW DIRECTION	SIDE TAPS	INLET / OUTLET PRESSURE TAP	HSI / DSI	INTERMITTENT / PROVEN PILOT	FLANGE MOUNT CAPABLE	MODEL NUMBER	ITEM NUMBER
24 VAC 50/60Hz	1 - Stage Fast Open	1/2" X 1/2"	3.5"	2.5"-5.0"	7.0"-12.0"	No**	No	Str. Thru	No	Yes / Yes*	Yes	No	No	36G22-254	36G22-254
24 VAC 50/60Hz	1 - Stage Fast Open	1/2" X 1/2"	3.5"	2.5"-5.0"	7.0"-12.0"	Yes	No	Str. Thru	No	Yes / Yes* NPT & Towers	Yes	Yes	Yes	36G32-500	36G32-500
24 VAC 50/60Hz	1 - Stage Slow Open	1/2" X 1/2"	3.5"	2.5"-5.0"	7.0"-12.0"	Yes	No	Str. Thru	No	Yes / Yes* NPT & Towers	Yes	Yes	Yes	36G33-500	36G33-500
24 VAC 50/60Hz	1 - Stage Fast Open	1/2" X 1/2"	3.5"	2.5"-5.0"	7.0"-12.0"	Yes	Yes	Str. Thru	No	Yes / Yes	Yes	No	No	36J22-214	36J22-214
24 Vac 50/60Hz	1 - Stage Fast Open	1/2" X 1/2"	3.5"	2.5"-5.0"	7.0"-12.0"	Yes	No	Str. Thru	No	Yes / Yes	Yes	No	No	36J22Y-212	36J22Y-212
24 VAC 50/60Hz	1 - Stage Slow Open	1/2" X 1/2"	3.5"	2.5"-5.0"	7.0"-12.0"	Yes	Yes	Str. Thru	No	Yes / Yes	Yes	No	No	36J24-214	36J24-214

* NOTE: Not for Standing Pilot.

** To measure outlet pressure on valves, loosen outlet pressure tap screw one quarter turn and put manometer hose over the top of the outlet pressure tap. Use F92-0659 to convert to regulated L.P. gas. See White-Rodgers General Information for capacities of other gases.

36G | J SERIES HSI | DSI | INTERMITTENT | PROVEN PILOT <CONT'D>

VOLTAGE	STAGES / OPENING	PIPE SIZE	REGULATOR SETTING	NATURAL GAS ADJ. RANGE (WC)	LP GAS ADJ. RANGE (WC)	LP KIT INCLUDED	REDUCER BUSHING KIT	FLOW DIRECTION	SIDE TAPS	INLET / OUTLET PRESSURE TAP	HSI / DSI	INTERMITTENT / PROVEN PILOT	FLANGE MOUNT CAPABLE	MODEL NUMBER	ITEM NUMBER
24 VAC 50/60Hz	Modulating	1/2" X 1/2"	3.5"	0.4"-4.0"	1.3"-11.5"	Yes	Yes	Str. Thru	No	Yes / Yes	Yes	No	No	36J27-554	36J27-554
24 VAC 50/60Hz	2 - Stage Fast Open	1/2" X 1/2"	1.5" Low 3.5" High	1.0"-4.0" Low 2.0"-5.0" High	4.0"-10.0" Low 6.0"-12.0" High	Yes	Yes	Str. Thru	No	Yes / Yes*	Yes	No	No	36J54-214	36J54-214
24 VAC 50/60Hz	2 - Stage Slow Open	1/2" X 1/2"	1.5" Low 3.5" High	1.0"-4.0" Low 2.0"-5.0" High	4.0"-10.0" Low 6.0"-12.0" High	Yes	Yes	Str. Thru	No	Yes / Yes*	Yes	No	No	36J55-214	36J55-214
24 VAC 50/60Hz	1 - Stage Slow Open	1/2" X 1/2"	3.5"	2.5"-5.0"	7.0"-12.0"	Yes	No	90° Bottom Outlet	No	Yes / Yes*	Yes	No	No	36J24-614	36J24-614
24 VAC 50/60Hz	2 - Stage Slow Open	1/2" X 1/2"	1.5" Low 3.5" High	1.0"-4.0" Low 2.0"-5.0" High	4.0"-10.0" Low 6.0"-12.0" High	Yes	No	90° Bottom Outlet	No	Yes / Yes*	Yes	No	No	36J55-614	36J55-614

NOTE: Not for Standing Pilot / Intermittent / Proven Pilot.

See White-Rodgers General Information for capacities of other gases.

* To measure outlet pressure on valves, loosen outlet pressure tap screw one quarter turn and put manometer hose over the top of the outlet pressure tap.

** Use F92-0659 to convert to regulated L.P. gas.

PARTS AND ACCESSORIES

IMAGE	DESCRIPTION	MODEL NUMBER	ITEM NUMBER
	LP to Natural Gas Conversion Kit for Use On Single Stage 36C, D, E, F, G, H, J Valves, Regulation Range 2.5" to 5.0"W.C.	F92-0656	F0092 065600S1
	Natural to Regulated LP Gas Conversion Kit for Use On Single Stage 36C, D, E, F, G, H, J Valves. Regulation Range 7.0" to 12.0"W.C.	F92-0659	F0092 065900S1
	Adapter Kit for The 36G Gas Valves. Kit Includes: Connector (5/16" to 1/4"Hose Barb), Tube (5/16" O.D.) and Hex Wrench (3/32")	F92-1003	F0092 100300S1
	Natural to Regulated LP Gas Conversion Kit for Use On Two Stage 36G, H, J, Valves, Regulation Range 4.0" to 10.0"W.C. Low Fire, 6.0" to 12.0"W.C. High Fire	F92-1008	F0092 100800
	Regulated LP to Natural Gas Conversion Kit for Use On Two Stage 36G, H, J, Valves, Regulation Range 1.0" to 4.0"W.C. Low Fire, 2.0" to 5.0"W.C. High Fire	F92-1011	F0092 101100

FIG. 1: SINGLE STAGE VALVE FEATURES, TERMINALS AND WIRING

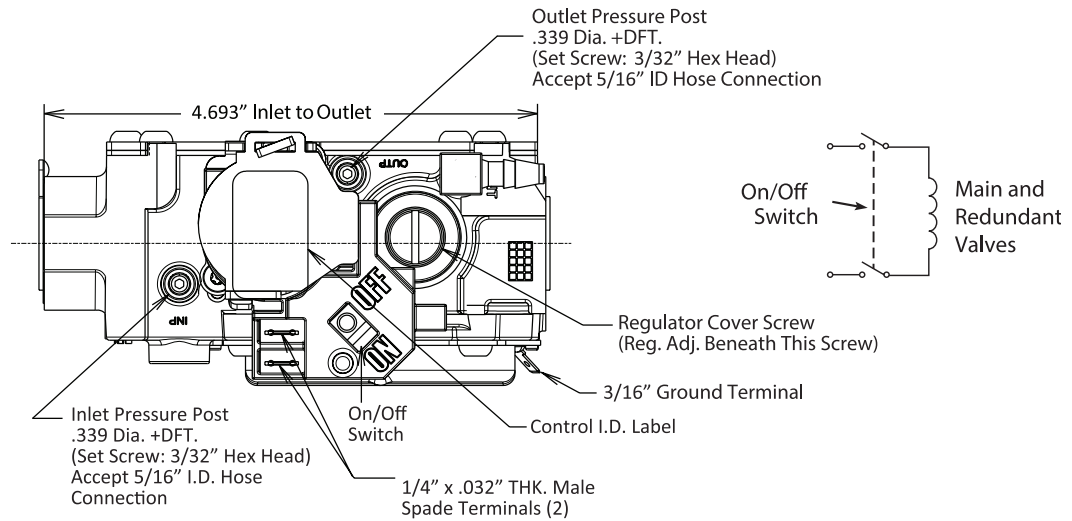


FIG. 2: TWO-STAGE VALVE FEATURES, TERMINALS AND WIRING

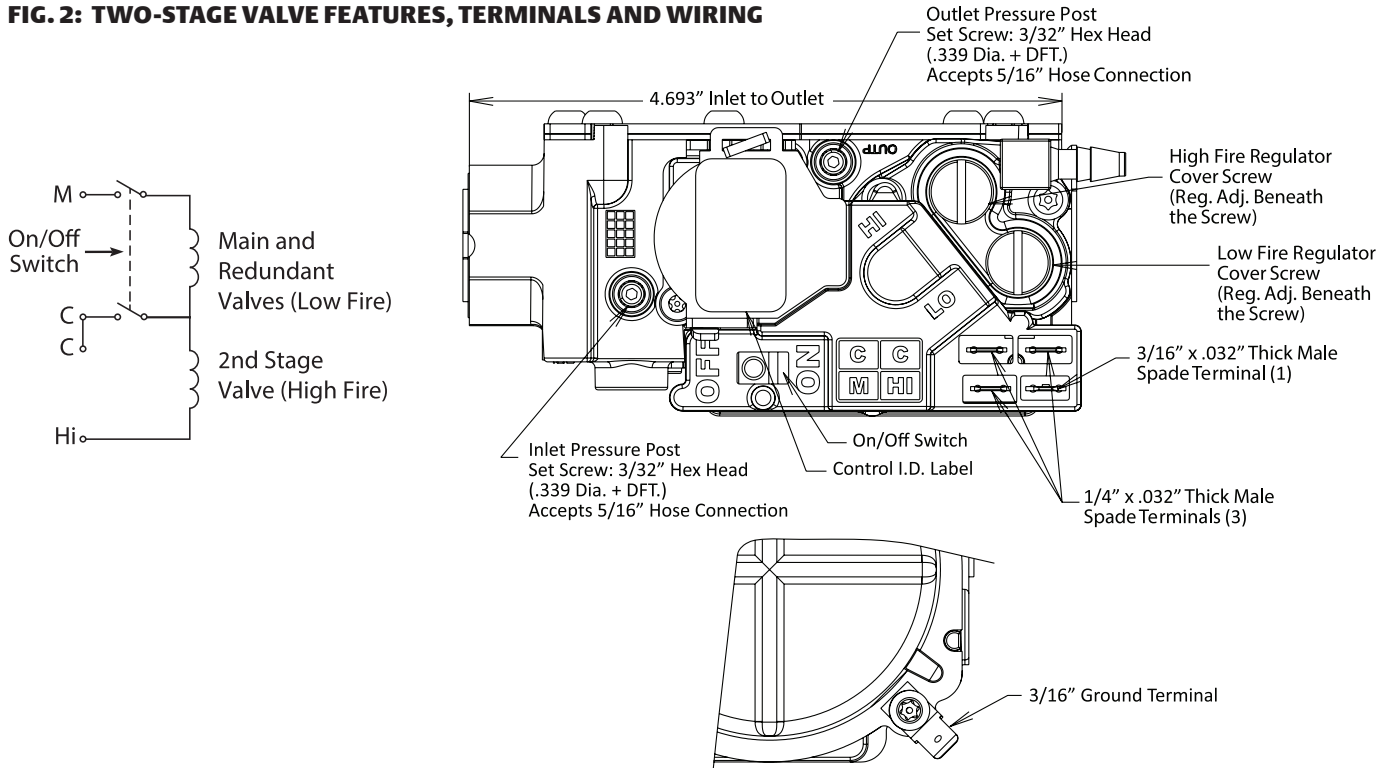
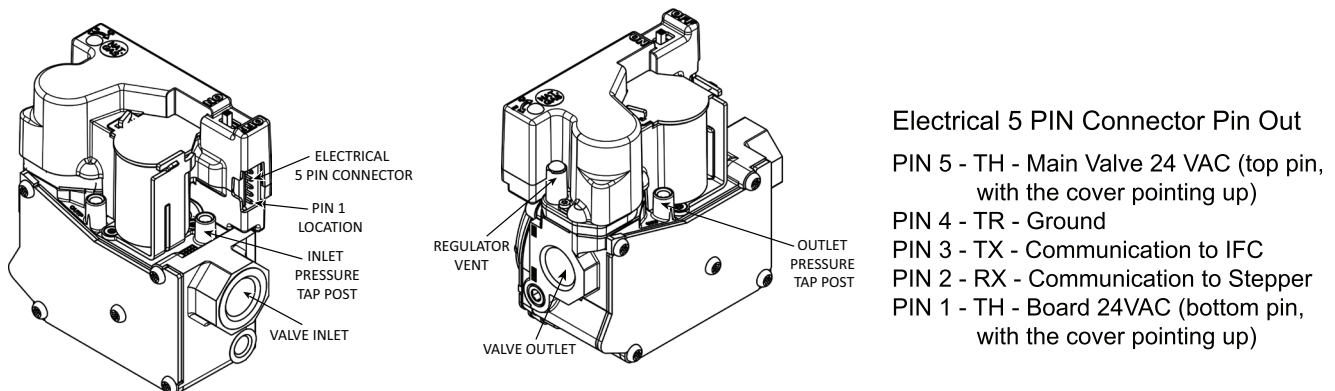


FIG. 3: 36J27 MODULATING VALVE FEATURES



764 GAS PILOT SAFETY FIREPLACE VALVES

Thermocouple operated control with 100% shut off



764-702

FEATURES

- Manual on-off knob and thermocouple operated pilot safety
- Inlet screen and inlet pipe stop
- Mounts in any position including upside down

SPECIFICATIONS


Operating Voltage	20-30 mV
Regulator Adjustment Range	Non-regulated
Natural Gas @ 1.0" P.D. BTU/HR	Straight Through 124,000 Bottom Inlet 118,000
LP Gas @ 1.0" P.D. BTU/HR	Straight Through 200,880 Bottom Inlet 191,160
Inlet Connection Size	1/2" NPT
Outlet Connection Size	Main 1/2" NPT, pilot compression fitting for 1/4" OD tubing
Flow Direction	Dual Inlet Straight Through with Optional Bottom Inlet
Maximum Pressure Rating	1/2 PSI (14.0" W.C.)
Swing Radius	2.5"
UR/CUR File Number	MP1323
CSA/CUS Certificate Number	1047800

764 GAS PILOT SAFETY, FIREPLACE VALVES

VOLTAGE	PIPE SIZE	FLOW DIRECTION	1" PRESSURE DROP CAPACITY NATURAL GAS .64 SP. GR. (1000 BTU/FT ³)	1" PRESSURE DROP CAPACITY LP GAS 1.53 SP. GR. (2500 BTU/FT ³)	MODEL NUMBER	ITEM NUMBER
20 to 30 mV Thermocouple	1/2" X 1/2"	Str. Thru	124,000	200,880	764-501	764-501
20 to 30 mV Thermocouple	1/2" X 1/2"	*Dual Inlet Str. Thru with Optional Bottom Inlet	Side Inlet 124,000, Bottom Inlet 118,000	Side Inlet 200,880, Bottom Inlet 191,160	764-742	07 64 742S1

* Dual Inlet one inlet must be plugged
See White-Rodgers General Information for capacities of other gases

PARTS AND ACCESSORIES

IMAGE	DESCRIPTION	MODEL NUMBER	ITEM NUMBER
	Replacement Knob for 764 Series Valve	F42-0895	F0042 089500S1



25M01A-100

25M GAS DRYER VALVES & COILS

Clothes dryer gas valves combine pressure regulator main and redundant solenoids for hot surface ignition dryers.

FEATURES

- Compact split coil design
- Inlet/outlet screen
- Field-adjustable regulator
- Replaceable operating coils (no gas interruption)
- Outlet pressure tap
- Both models packaged with the most popular main burner orifices to replace many OEM models
- Replacement coils available for most popular models
- Single or complete coil sets

SPECIFICATIONS

Type of GasNatural or LP gas (conversion kit included)
 Pressure Regulator SettingNat. Gas: 2.8" to 5.4"W.C., LP Gas: 8.5" to 12.0"W.C.
 Operating Ambient Temperature.....32° to 155°F
 Max. Pressure Rating 1/2" PSI (14.0" WC)
 Electrical 120 VAC, 60 Hz, .06 amps
 1" P.D. Capacity 40,000 BTU/HR

25M GAS DRYER VALVES & COILS

COIL VOLTAGE	OUTLET FLOW DIRECTION	INLET/OUTLET SIZE	REGULATOR ADJUSTMENT RANGE	MOUNTING	MODEL NUMBER	ITEM NUMBER
120 VAC	Right Angle Left	3/8" NPT X 11/32"	Nat. Gas: 2.8" to 5.4"W.C. LP Gas: 8.5" to 12.0"W.C. (Conversion Kit Included)	Control may be mounted in the following positions: horizontal, vertical or 90° of horizontal. Do not mount upside down.	25M01A-100	25M01A100
120 VAC	Right Angle Right	3/8" NPT X 11/32"	Nat. Gas: 2.8" to 5.4"W.C. LP Gas: 8.5" to 12.0"W.C. (Conversion Kit Included)	Control may be mounted in the following positions: horizontal, vertical or 90° of horizontal. Do not mount upside down.	25M01A-101	25M01A101



F91-3889



F91-3890

2500 SERIES REPLACEMENT GAS VALVE COILS

FEATURES

- Easy installation of replacement coil assemblies
- Available for most popular models
- Single or complete coil sets

PARTS AND ACCESSORIES

APPLICATION	DESCRIPTION	OEM	MODEL NUMBER	ITEM NUMBER
25M01A-xxx	120 VAC Coil Replacement for 25M valve individual pack secondary coil	Whirlpool, Electrolux, GE, Maytag, Speed Queen	F91-3889	F0091 388900S1
25M01A-xxx	120 VAC Coil Replacement for 25M valve individual pack booster and holding coil	Whirlpool, Electrolux, GE, Maytag, Speed Queen	F91-3890	F0091 389000S1
25M01A-xxx	Boost/host coil and secondary coil (120 VAC, 60 Hz) for 25M dryer gas valve (includes F91-3889 plus F91-3890 combined)	Whirlpool, Electrolux, GE, Maytag, Speed Queen	F91-4241	F91-4241



21D64-2

HOTROD™ SERIES UNIVERSAL NITRIDE IGNITOR UPGRADES

120V nitride upgrade kits for conversion of silicon carbide (flat or spiral).

FEATURES

- HotRod™ replaces over 170 ignitors; HotRod EX™ replaces over 260 ignitor models
- Robust nitride ignitor design for longer life and fewer callbacks – 5-year warranty
- Nitride ignitors with 14.5" and 15.5" lead-stripped ends
- Universal and standard mounting brackets and 2 ceramic wire nuts
- Replaces most silicon carbide ignitors, including many Carborundum™ models

SPECIFICATIONS

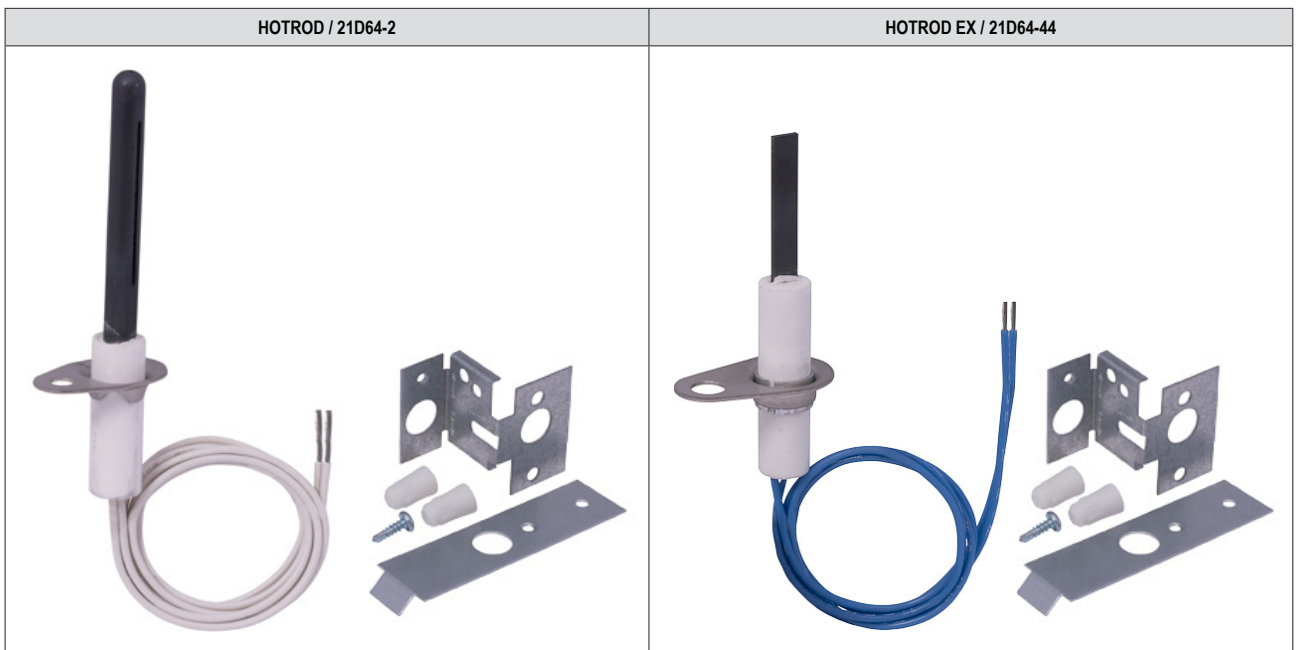
Operating Voltage.....	102-132 VAC, 60 Hz
Max. Load Current	3.0 A @ 132 VAC, 25°C
Warmup Time	21D64-2: 17 sec. minimum
.....	21D64-44: 8 sec. minimum
Temperature Rating Lead Insulation	250°C

HOTROD™ 21D64 SERIES UNIVERSAL IGNITOR UPGRADES

DESCRIPTION	LEAD LENGTH	MODEL NUMBER	ITEM NUMBER
HotRod Kit includes 120V nitride ignitor, 2 brackets (one universal), 15.5" lead-stripped ends, ceramic wire nuts and mounting screw	15.5"	21D64-2	21D64 002
HotRod 5-pack contains 5 single-pack ignitor kits	15.5"	21D64-5PK	21D64-5PK
HotRod EX Kit includes 120V nitride ignitor, 2 brackets (one universal), 14.5" lead-stripped ends, ceramic wire nuts and mounting screw	14.5"	21D64-44	21D64-44

FLAME SENSOR AND HOT ROD COMBO

DESCRIPTION	LEAD LENGTH	MODEL NUMBER	ITEM NUMBER
HotRod Combo, universal ignitor and flame sensor	15.5" / 30"	21D64C-843	21D64C-843





789A-914A1

DIRECT OEM REPLACEMENT 80V AND 120V NITRIDE IGNITORS

Direct OEM replacement for 80V and 120V premium silicon nitride ignitor and upgrade kits.

FEATURES

- OEM replacement Nitride Ignitors for Amana, Carrier, Goodman, Lennox, Nordyne, Rheem, Trane, Thermo Products Equipment and York
- 80V and 120V models
- OEM spec lead length, dimensions and connectors for fast replacement
- White high temperature Teflon™ coated leads
- Insulation 250°C Temperature rating
- Premium Nitride Construction
- 3 Year Warranty

SPECIFICATIONS





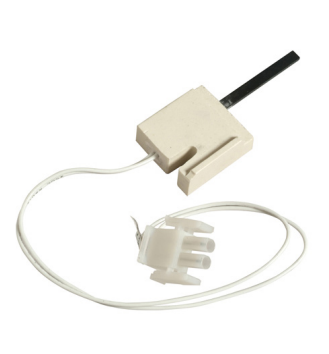
Operating Voltage..... 80 and 120 VAC Models, 60 Hz
 CSA/CUS Certificate Number 1105159 (768A)
 70098928 (789A)

DIRECT OEM REPLACEMENT 80V AND 120V NITRIDE IGNITORS









OEM	OEM MODEL NUMBER	VOLTAGE	LEAD LENGTH (IN)	ELECTRICAL CONNECTIONS	MODEL NUMBER	ITEM NUMBER
AMANA	11111701	80 VAC	5.00	2 terminal AMP receptacle, .093 female sockets	768A-842	07 68A842S1
	768A-2					
LENNOX, RHEEM	41K5601	80 VAC	12.00	2 terminal AMP receptacle, .084 female sockets	768A-844	07 68A844S1
	768A-4					
THERMO PRODUCTS	380650	80 VAC	5.00	2 terminal AMP receptacle, .084 female sockets	768A-843	07 68A843S1
TRANE	A341947P01	80 VAC	5.00	2 terminal AMP receptacle, .083 female sockets	768A-815	768A-815
	768A-015					
	A341990P01					
	IGN00117					
TRANE	768A-5	80 VAC	5.00	2 terminal AMP receptacle, .084 female sockets	768A-845	07 68A845S1
	IGN00104					
	X13130524010					
CARRIER	LH33ZG001	120 VAC	9.25	Molex connector	789A-751A1	789A-751A1
	LH33ZS001 ¹	120 VAC	9.25	Molex connector	789A-751KT1	789A-751KT1
	LH33ZS001 ²	120 VAC	9.25	Molex connector	789A-751KT2	789A-751KT2
GOODMAN	0130F008	120 VAC	9.25	Molex connector	789A-707A1	789A-707A1
	0130F008S					
LENNOX	70W16	120 VAC	9.25	Molex connector	789A-801A1	789A-801A1
	10053602					
	LB-112237B					
NORDYNE	1017743S	120 VAC	5.75	Molex connector	789A-914A1	789A-914A1
	921074					
TRANE	IGN00152	120 VAC	5.00	Molex connector	789A-820KT1	789A-820KT1
	IGN00146					
	D156805P01					
YORK	025-45231-000	120 VAC	5.25	Molex connector	789A-956A1	789A-956A1
	s1-254523100					
	s1-025-4523100					
	025-49808-000					
	s1-02549808000					
	s1-025-49808-000					

1 For 33 inch tall furnaces. 2 For 40 inch tall furnaces. For complete cross reference information, please download the WRmobile app.

80V MODELS

TRANE / 768A-815	AMANA / 768A-842	LENNOX, RHEEM / 768A-844	THERMO PRODUCTS / 768A-843
			
<p data-bbox="190 665 529 699">TRANE / 768A-845</p> 			

120V MODELS

CARRIER / 789A-751A1	CARRIER / 789A-751KT1	CARRIER / 789A-751KT2	GOODMAN / 789A-707A1
			
<p data-bbox="190 1596 529 1629">LENNOX / 789A-801A1</p> 	<p data-bbox="534 1596 867 1629">NORDYNE / 789A-914A1</p> 	<p data-bbox="872 1596 1205 1629">TRANE / 789A-820KT1</p> 	<p data-bbox="1209 1596 1549 1629">YORK / 789A-956A1</p> 

DIRECT OEM REPLACEMENT 120V CARBIDE IGNITORS

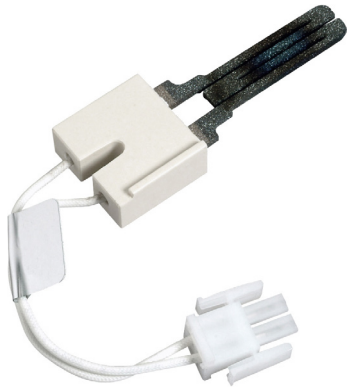
High volume OEM style carbide direct replacements for a wide range of heating equipment.

FEATURES

- Multiple mounting styles
- Works with 15, 17 or 45 second HSI systems
- All models includes ceramic wire nuts for cut and strip connections
- Extensive cross reference information on our website or download the WR Mobile App

SPECIFICATIONS

Operating Voltage..... 120 VAC, 60 Hz
 Lead Insulation Temp. Rating..... 200°C
 CSA/CUS Certificate Number..... 1018175

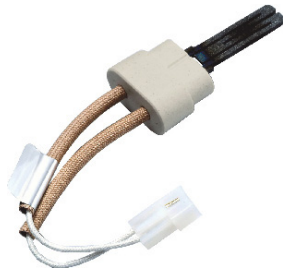
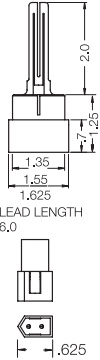

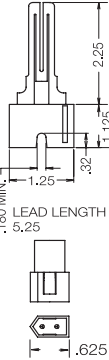

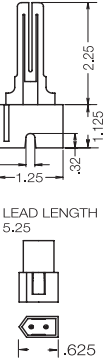



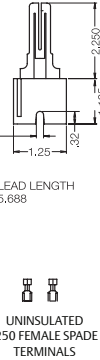

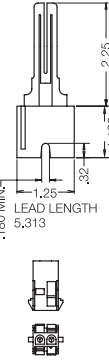
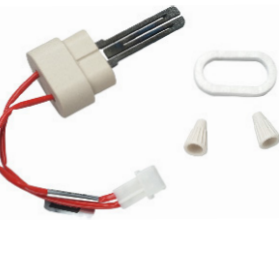
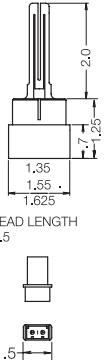
767A-372

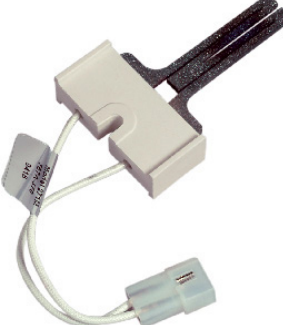
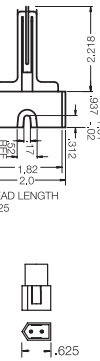

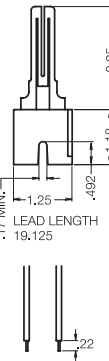
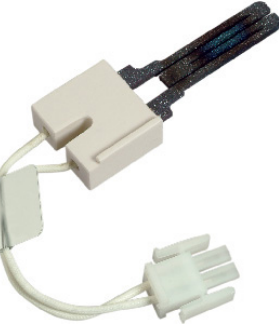
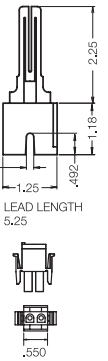
767A SERIES CARBIDE DIRECT OEM REPLACEMENT IGNITORS

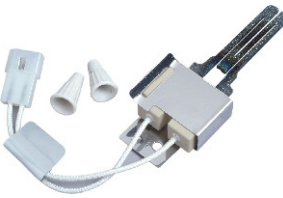
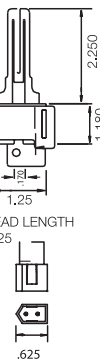

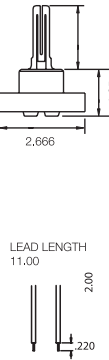

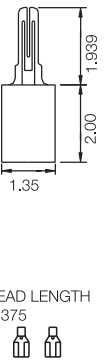
OEM	VOLTAGE	LEAD LENGTH (IN)	ELECTRICAL CONNECTION	INDUSTRY RECOGNIZED NUMBER	MODEL NUMBER	ITEM NUMBER
AMANA, LENNOX	120 VAC	6.00	Receptacle with .093" Male Pins	41-401	767A-356	07 67A356S1
WHITE-RODGERS	120 VAC	5.25	Receptacle with .093" Male Pins	41-803	767A-357	07 67A357S1
YORK, LENNOX	120 VAC	5.25	Receptacle with .093" Male Pins	41-405	767A-361	07 67A361S1
WHITE-RODGERS	120 VAC	5.69	1/4" Female Spade Terminals	41-803	767A-365	07 67A365S1
WHITE-RODGERS	120 VAC	5.31	AMP 1-480699-0 Electrical Conn. Receptacle with .093" Male Pins	—	767A-366	07 67A366S1
AMANA, LENNOX	120 VAC	5.50	Molex Internally Keyed Connector with .093" Male Pins	41-401	767A-369	07 67A369
CARRIER, TRANE, RHEEM	120 VAC	5.25	Receptacle with .093" Male Pins	41-409	767A-370	07 67A370
GOODMAN, YORK, NORDYNE, TRANE, AMANA, ARMSTRONG	120 VAC	19.13	Stripped Ends	41-402	767A-371	07 67A371
RHEEM, LENNOX, TRANE	120 VAC	5.25	Molex Side Lock Connector with .092" Male Pins	41-408	767A-372	07 67A372
GOODMAN, YORK, NORDYNE, TRANE, AMANA, ARMSTRONG	120 VAC	5.25	Receptacle with .093" Male Pins	41-412	767A-373	07 67A373
WHIRLPOOL	120 VAC	11.00	Stripped Ends	41-406	767A-374	07 67A374
WHITE-RODGERS	120 VAC	1.38	1/4" Female Spade Terminals	41-413	767A-375	07 67A375
TRANE	120 VAC	4.50	Molex Front Lock Connector with .092" Male Pins	41-407	767A-376	07 67A376
TRANE	120 VAC	4.50	Molex Front Lock Connector with .092" Male Pins	41-410	767A-377	07 67A377
AMANA	120 VAC	5.13	Electrical Connector matches AMANA #20165702	41-602	767A-378*	07 67A378
YORK	120 VAC	7.50	Electrical Connector matches YORK #025-33421-000	—	767A-379*	07 67A379
ARMSTRONG	120 VAC	6.13	Electrical Connector matches ARMSTRONG #44744-2	41-604	767A-380*	07 67A380
YORK	120 VAC	7.50	Electrical Connector matches YORK #473-20937-001	41-605	767A-381*	07 67A381
WEIL MCLAIN	120 VAC	5.25	Receptacle with .093" Male Pins	41-404	767A-382	07 67A382
RHEEM	120 VAC	5.25	Molex Side Lock Connector with .092" Male Pins	41-411	767A-383	07 67A383
GOODMAN	120 VAC	5.25	Receptacle with .093" Male Pins	41-414	767A-384	07 67A384
Goodman	120 VAC	5.25	Receptacle with .093" Male Pins	41-418	767A-385	767A-385

* Ceramic composite construction
 For complete cross reference information, please download the WRmobile app.

767A-356		767A-357		767A-361	
	 <p>2.0 1.25 1.36 1.55 1.825 LEAD LENGTH 6.0 .625</p>		 <p>2.25 1.125 1.25 .32 1.80 MIN. LEAD LENGTH 5.25 .625</p>		 <p>2.25 1.125 1.25 .32 1.80 MIN. LEAD LENGTH 5.25 .625</p>

767A-365		767A-366		767A-369	
	 <p>2.250 1.125 1.25 .32 .180 MIN. LEAD LENGTH 5.688 UNINSULATED .250 FEMALE SPADE TERMINALS</p>		 <p>2.25 1.125 1.25 .32 .180 MIN. LEAD LENGTH 5.313</p>		 <p>2.0 1.25 1.35 1.55 1.625 LEAD LENGTH 5.5 .5</p>

767A-370		767A-371		767A-372	
	 <p>2.218 2.0 1.82 1.1 1.0 1.0 1.0 1.0 LEAD LENGTH 5.25 .625</p>		 <p>2.25 1.18 .492 1.25 .17 MIN. LEAD LENGTH 19.125 .22</p>		 <p>2.25 1.18 1.25 .492 .17 MIN. LEAD LENGTH 5.25 .550</p>

767A-373		767A-374		767A-375	
	 <p>2.250 1.180 1.25 LEAD LENGTH 5.25 .625</p>		 <p>2.666 1.25 LEAD LENGTH 11.00 2.00 .220</p>		 <p>1.939 2.00 1.35 LEAD LENGTH 1.375</p>

767A-376		767A-377		767A-378	
	<p>2.218 .020±.003 .312 1.820 2.000 LEAD LENGTH 5.0</p> <p>MOLEX CONNECTOR</p>		<p>2.250 1.180 .492 1.250 LEAD LENGTH 5.25 1.70 MIN</p> <p>MOLEX CONNECTOR</p>		<p>2.250 1.180 1.000 1.000 1.000 Lead Length 5.125</p>

767A-379		767A-380		767A-381	
	<p>2.120 2.500 2.425 2.425 Lead Length 7.500</p>		<p>3.375 4.000 2.425 Lead Length 6.125</p>		<p>2.120 2.500 2.425 2.425 Lead Length 7.500</p>

767A-382		767A-383		767A-384	
	<p>2.218 .492 .401 .312 1.820 2.0 LEAD LENGTH 5.25</p> <p>.625</p>		<p>2.25 1.18 .492 1.25 LEAD LENGTH 5.25 1.7 MIN</p> <p>.550</p>		<p>2.250 1.180 1.25 LEAD LENGTH 5.25</p> <p>.625</p>

767A-385	
	<p>2.250 1.180 1.25 LEAD LENGTH 5.25</p> <p>.625</p>



H06E-48

H06 SERIES UNIVERSAL 30 MV THERMOCOUPLES

Specially designed for universal replacement.

FEATURES

- Stainless steel element construction for long thermocouple life
- Universal adapter fittings included for easy installation of thermocouple in pilot burner
- Available in a variety of 10-packs in desired thermocouple lengths
- Standard thermocouple 11/32" double lead thread
- Replaces Honeywell Q34A, Johnson K19, Robertshaw 1980 and White-Rodgers H06E

SPECIFICATIONS

Nominal Voltage Range22 - 30 mV
 Maximum Hot Junction Temperature1450°F
 Maximum Cold Junction Temperature800°F

H06 SERIES UNIVERSAL 30 MV THERMOCOUPLES

DESCRIPTION	MODEL NUMBER	ITEM NUMBER
18" Thermocouple	H06E-18	H06E018S1
24" Thermocouple	H06E-24	H06E024S1
30" Thermocouple	H06E-30	H06E030S1
36" Thermocouple	H06E-36	H06E036S1
48" Thermocouple	H06E-48	H06E048S1
36" Thermocouple with ECO cut-off connection	H06F-36	H06F036S1



G01A-332

750 MV THERMOPILE GENERATORS

Provides power for 750 millivolt control systems.

FEATURES

- For replacement of similar screw-in type generators and E31-12 pilot burners
- G01A-332 has 36 inch armored cable leads with split-spade terminals
- PG9 adapter included with each G01A-332
- 101934F32 / 101934R32 designed for use with PG9

SPECIFICATIONS

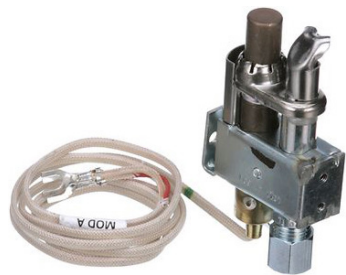
Nominal Voltage 750 mV
 Maximum Hot Junction Temperature 1400°F
 Maximum Cold Junction Temperature 650°F

750 MV THERMOPILE GENERATORS

MV OUTPUT	LENGTH	FIBERGLASS CABLE LEADS	ARMORED CABLE LEADS	PG9 ADAPTER	CLIP INCLUDED	CONNECTOR TYPE	MODEL NUMBER	ITEM NUMBER
750	32	✓	—	—	—	R Bushing	101934R32	101934R32S2
750	36	—	✓	✓	✓	F Spade Terminal	G01A-332	G01A332S1
750	36	—	✓	—	✓	F Spade Terminal	G01A-502	G01A502S1
750	36	✓	—	✓	✓	F Spade Terminal	G01A-512	G01A512S1
750	36	—	✓	✓	✓	F Spade Terminal	G01A-132	G01A132S1
750	32	✓	—	—	—	F Spade Terminal	101934F32	101934F32S2
750	36	✓	—	—	—	F Spade Terminal	G01A-501	G01A501S1



* Indicates Canadian Model Number: Call 1-800-305-6953 to order.



PG9A27JTL22

PG9 SERIES 750 MV GENERATORS & PILOT BURNERS

Provides a pilot flame for igniting gas burners while generating millivolt output to operate gas valves and relays.

FEATURES

- Single blue flame burner for quiet operation and maximum flame stability
- "Snorkel" primary air path incinerates dust eliminating linting problems
- All models provided with orifice base fittings for Natural and LP
- Flame ring surrounding generator ensures high output and extended generator life
- High temperature stainless steel generator cover

PG9 SERIES 750 MV GENERATORS & PILOT BURNERS

HEAD TYPE	PORTING	ORIFICE	FITTING	MODEL NUMBER	ITEM NUMBER
Channel Type	90° right & 90° left, 3/4" head width	0.022	Includes extra base fitting for LP gas application (less ferrule and nut)	PG9A27JTL22	PG9A27JTL22S2
Cobra	90° left	0.020	Includes extra base fitting for LP gas application (less ferrule and nut)	PG9A41JTL20	PG9A41JTL20S2
Cobra	90° right	0.020	Includes extra base fitting for LP gas application (less ferrule and nut)	PG9A42JTL20	PG9A42JTL20S2



790-843A1

790 SERIES UNIVERSAL FLAME SENSOR

Universal flame sensor for furnaces, or water heaters that use hot surface or spark ignition.

Features:

- Rod can be bent or cut to replace over 120 part numbers
- High temperature rod withstands 2200°F
- Protective sleeve included for bending the rod with detailed instructions
- 3-year limited warranty
- 30" lead wire with 1/4" quick-connect terminals & 3/16" quick connect terminal included
- Available in a 5-pack box

Specifications:

Insulation resistance from rod to bracket Must be 500 megaohms at minimum
 Ceramic material Alumina 95% or better
 Bracket material Zinc-plated steel or stainless steel
 Agency CSA

790 Series Universal Flame Sensor

DESCRIPTION	LEAD LENGTH	ELECTRICAL CONNECTION	MODEL NUMBER	ITEM NUMBER
Universal premium flame sensor	30"	1/4" female spade quick terminal	790-843A1	790-843A1
Universal premium flame sensor, 5-pack	30"	1/4" female spade quick terminal	790-843A5PK	790-843A5PK
HotRod Combo, universal ignitor and flame sensor	15.5" / 30"	1/4" female spade quick terminal	21D64C-843	21D64C-843



790-751A1

790 SERIES DIRECT OEM FLAME SENSORS

Drop-in direct OEM replacement flame sensors for Carrier, Goodman, Lennox, Trane and York brands.

Features:

- Drop-in replacements for OEM brands
- High-temperature rod withstands 2200°F
- OEM-approved construction and material
- 3-year limited warranty

CARRIER / ICP 790-751A1 / 73° BEND	GOODMAN 790-707A1 / STRAIGHT ROD	LENNOX 790-801A1 / 90° BEND	TRANE 790-820A1 / 90° BEND	YORK 790-956A1 / STRAIGHT ROD



760-401

FLAME SENSORS & ELECTRODES

Hot Surface Ignition and Cycle Pilot Flame Sensors and Electrodes.

FEATURES

- Cycle Pilot Mercury Flame Sensors designed for 36C84 and 36C94 gas valves include adapters for competitive burners
- 30A46 styles designed for Cushioned Power and Silent Knight gas valves with plug-in receptacles
- 760-401 Universal Hot Surface Ignition Flame Sensors can be mounted remotely on multiple burners

SPECIFICATIONS

CSA/CUS Certificate Number 1185540 (760 Series)

760 SERIES FOR HOT SURFACE (HSI) AND CYCLE PILOT IGNITION

DESCRIPTION	LEAD LENGTH	ELECTRICAL CONNECTION	MODEL NUMBER	ITEM NUMBER
Cycle Pilot Ignition Electrode and cable assembly with slip on bracket. Also includes perforated mounting strap for varying applications	24"	1/4" female spade quick disconnect terminal	760-56	07 60 56S1
Standard replacement for Hot Surface (HSI) Ignition. Can be mounted remotely on multiple burners	30"	1/4" female spade terminal	760-401	07 60 401S1
Exact OEM model replacement for Hot Surface (HSI) Ignition. Can be mounted remotely on multiple burners	30"	1/4" female spade terminal	760-802	07 60 802S1

CYCLE PILOT MERCURY FLAME SENSORS

DESCRIPTION	ELEMENT LENGTH	PANEL TYPE	BULB STYLE	MODEL NUMBER	ITEM NUMBER
Replaces bulb styles #17 or #18	48"	D	#20	3049-115 ①	30 49 115S1
Replaces bulb styles #9 or #13	48"	E	#19	3098-134 ①	30 98 134S1
Replaces bulb styles #17 or #18	48"	E	#20	3098-156 ①	30 98 156S1

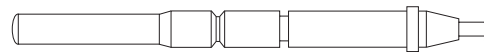
① Includes adapter fittings.

MERCURY FLAME SENSORS

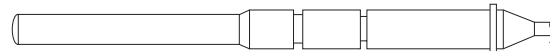
DESCRIPTION	ELEMENT LENGTH	ELECTRICAL RATING 120 VAC	ELECTRICAL RATING 240 VAC	ELECTRICAL RATING 30 VAC	MODEL NUMBER	ITEM NUMBER
Mercury Flame Sensor with Screw Terminals	48"	125 VA	125 VA	90 VA	3046-5	30 46 005S1
*Plug-In Flame Sensor Stud mount element	48"	125 VA	125 VA	90 VA	30A46-5	30A46 005S1
*Plug-In Flame Sensor Sleeve mount element (no stud mount)	12"	125 VA	125 VA	90 VA	30A46-105	30A46 105S1

* Plug-In sensors for "Cushioned Power" and "Silent Knight" Gas Valves with Plug-In Receptacle.

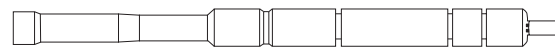
FLAME SENSOR BULB DIAGRAMS



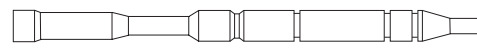
Bulb Style #9



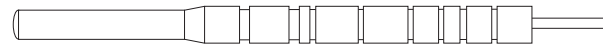
Bulb Style #13



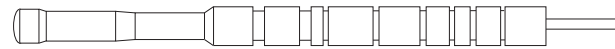
Bulb Style #17



Bulb Style #18



Bulb Style #19

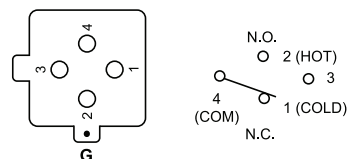
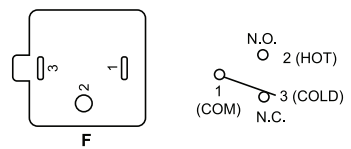
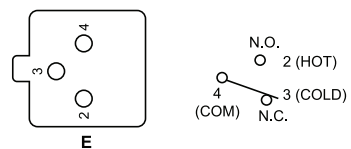
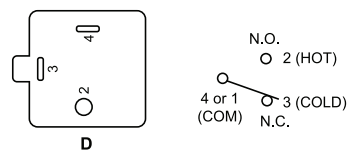
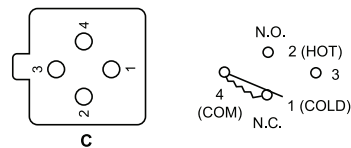
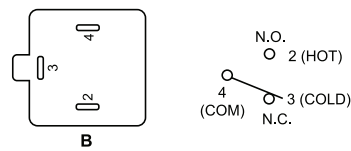
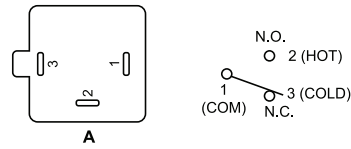


Bulb Style #20

CONTRACTOR TIP:

Mercury flame sensors can only be replaced by cross referencing the original mercury flame sensor model number. They can not be replaced by gas valve model number.

TERMINAL PANELS CONFIGURATION



TYPES WITH SPADE TERMINALS CROSS REFERENCE

O.E.M. NUMBER	ORIGINAL CAPILLARY LENGTH	ORIGINAL PANEL TYPES ①	SUGGESTED REPLACEMENT
3049-52	30"	B, D	3049-115
3049-54	30"	B	3049-115
3049-55	30"	A, D	3049-115
3049-66	30"	B	3049-115
3049-68	30"	B	3049-115
3049-105	42"	B	3049-115
3049-106	24"	D	3049-115
3049-107	12"	B, D	3049-115
3049-111	24"	B, D	3049-115
3049-112	18"	B, D	3049-115
3049-114	30"	D	3049-115
3049-115	48"	D	3049-115
3049-119	24"	B	3049-115
3049-120	30"	B	3049-115
3049-121	18 or 42"	B	3049-115

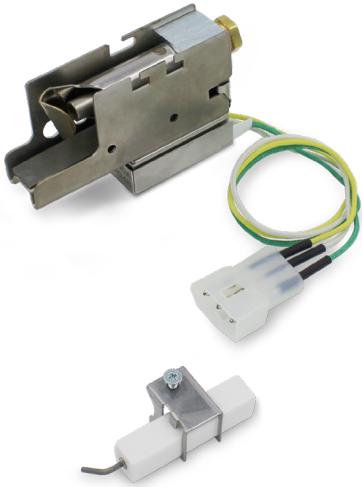
PLUG-IN TYPES CROSS REFERENCE

O.E.M. NUMBER	ORIGINAL CAPILLARY LENGTH	ORIGINAL PANEL TYPES ①	SUGGESTED REPLACEMENT
3098-111	30"	E	3098-134
3098-122	30"	E	3098-156
3098-126	30"	E	3098-156
3098-127	24"	E	3098-156
3098-130	24"	E	3098-156
3098-131	30"	E	3098-156
3098-134	48"	E	3098-134
3098-136	30"	E	3098-134
3098-141	48"	E	3098-134
3098-142	30"	E	3098-156
3098-143	36"	E	3098-156
3098-147	18"	E	3098-134
3098-149	24 or 42"	E	3098-156
3098-153	24"	E	3098-156
3098-156	48"	E	3098-156
3098-161	24 or 30"	E	3098-134
3098-165	48"	E	3098-134
3098-168	48"	E	3098-156
3098-169	27"	E	3098-134
3098-171	30 or 42"	E	3098-156
3094-174	36"	E	3098-156
3098-175	18"	E	3098-156
3098-182	24 or 42"	E	3098-156
3098-184	42"	E	3098-134

① Suggested replacement type may have different panel configuration. Some controls experienced modification. Determine proper wiring with the aid of panel diagrams A through G.

**DIRECT OEM REPLACEMENT PREMIUM
PILOT BURNER ASSEMBLY**

Direct OEM replacement 3-wire pilot burner assembly with safety switch for Carrier / ICP brands.



791P-751KT1

FEATURES

- Made by the only qualified source that manufactures for the OEM
- Utilizes a bi-metal switch to protect against oxidation and scaling
- 3-Wire Assembly designed for use with natural and LP gas
- Reliable design with 100% factory performance testing
- Includes factory-installed electrode
- LP orifice included
- 3-Year Limited Warranty

SPECIFICATIONS

Input Voltage 18-33 VAC, 60Hz
 Input Current..... 1.0 Amp
 Operating Temperature Range -40 to 1225 °F (-40 to 662 °C)
 Lead Wire Length.....9.125”
 Lead Wire Gauge 18 AWG
 Spark GAP (Minimum).....0.156”
 CSA Certificate Number..... 80080096

DIRECT OEM REPLACEMENT PREMIUM PILOT BURNER ASSEMBLY

OEM	OEM MODEL NUMBER	DESCRIPTION	GAS TYPE	INPUT RATING	ORIFICE SIZE	REGULATOR SETTING	MODEL NUMBER	ITEM NUMBER
Carrier, ICP	LH680005	Premium 3-Wire Pilot Burner Assembly with Safety Switch	Natural Gas	875 +/- 10% BTU/hr	0.018"	5.00" WC	791P-751KT1	791P-751KT1
			LP Gas	725 +/- 10% BTU/hr	0.012"	11.00" WC		



5D51-35

5D51 SERIES PLENUM MOUNT BIMETAL FAN & LIMIT CONTROLS

For applications with narrow space limitations. Regulates fan or blower operation and acts as high limit safety control.

FEATURES

- Includes summer fan switch for ventilation without changing control settings
- Dial has individual pointers for fan cut-in and cut-out settings
- Removable solid copper jumper between fan and limit switches
- Long terminal screws for wiring - Junctions can be made on terminal block

SPECIFICATIONS

Dimensions4.3"H X 2.9"W X 1.6"D
 UL/CUL File Number MP1228
 CSA Certificate Number..... LR6246-224

5D51 SERIES PLENUM MOUNT BIMETAL FAN & LIMIT CONTROL

DESCRIPTION	SWITCH ACTION	ELEMENT LENGTH	RANGE	DIFFERENTIAL	MOTOR RATING (FULL LOAD) 120 VAC	MOTOR RATING (FULL LOAD) 240 VAC	VALVES AND RELAYS 24 VAC	MODEL NUMBER	ITEM NUMBER
Fan / Limit	Fan - Close on Rise Limit - Open on Rise	5"	Fan 50 to 265°F (10 to 129°C), Limit 100 to 300°F (38 to 149°C)	Fan Adjustable 15°F minimum Fixed 25°F, Limit Fixed 25°F	Fan-14.0A Limit-10.0A	Fan-7.0A Limit-6.0A	Fan-5.6A Limit-6.0A	5D51-35	05D51 035S1
Fan / Limit	Fan - Close on Rise Limit - Open on Rise	8"	Fan 50 to 265°F (10 to 129°C), Limit 100 to 300°F (38 to 149°C)	Fan Adjustable 15°F minimum Fixed 25°F, Limit Fixed 25°F	Fan-14.0A Limit-10.0A	Fan-7.0A Limit-6.0A	Fan-5.6A Limit-6.0A	5D51-90	05D51 090S1
Fan / Limit	Fan - Close on Rise Limit - Open on Rise	11"	Fan 50 to 265°F (10 to 129°C), Limit 100 to 300°F (38 to 149°C)	Fan Adjustable 15°F minimum Fixed 25°F, Limit Fixed 25°F	Fan-14.0A Limit-10.0A	Fan-7.0A Limit-6.0A	Fan-5.6A Limit-6.0A	5D51-78	05D51 078S1

See White-Rodgers General Information for full electrical ratings.
 Fan switches are rated HT, limit switches are rated HTV.



3L09-1

SNAP DISC FIXED TEMPERATURE BOARD MOUNT LIMITS

1/2" Automatic reset snap disc thermostats with ranges for all your system needs.

FEATURES

- Proven reliability in a compact, versatile, cost-effective design
- Provides high-speed contact separation

SPECIFICATIONS

Switch ActionSPST Open on Rise
 Electrical RatingsResistive 15A @ 120 VAC, 13A @ 240 VAC,
Inductive 5.8 FLA, 34.8LRA @ 120 VAC; 2.9FLA, 13.0 LRA @ 240 VAC
 Pilot Duty 125 VAC
 Dimensions37"H X 1.32"W X 1.23"L
 Weight 0.2 oz.
 UR/CUR File NumberE19279
 CSA/CUS Certificate Number LR77886/LR109556
 VDE Lic. 118631

SNAP DISC FIXED TEMPERATURE BOARD MOUNT LIMITS

APPLICATIONS	CUT-IN	CUT-OUT	SWITCH ACTION	TOD TYPE	TOD STYLE	LENGTH (IN)	MODEL NUMBER	ITEM NUMBER
Snap Disc Board Mount Limit - Automatic Reset	100°F (38°C)	140°F (60°C)	Open on Rise	36T01B2	612700	1.87	3L09-1	03L09 001S1
	130°F (54°C)	170°F (77°C)	Open on Rise	36T01B2	612708	1.87	3L09-2	03L09 002S1
	110°F (43°C)	140°F (60°C)	Open on Rise	36T01B3	612701	3.12	3L09-3	03L09 003S1
	130°F (54°C)	150°F (66°C)	Open on Rise	36T01B3	612703	3.12	3L09-4	03L09 004S1
	140°F (60°C)	160°F (71°C)	Open on Rise	36T01B3	612706	3.12	3L09-5	03L09 005S1
	130°F (54°C)	170°F (77°C)	Open on Rise	36T01B3	612710	3.12	3L09-6	03L09 006S1
	145°F (63°C)	175°F (79°C)	Open on Rise	36T01B3	612711	3.12	3L09-7	03L09 007S1
	140°F (60°C)	180°F (82°C)	Open on Rise	36T01B3	612714	3.12	3L09-8	03L09 008S1
	170°F (77°C)	190°F (88°C)	Open on Rise	36T01B3	612715	3.12	3L09-9	03L09 009S1
	160°F (71°C)	200°F (93°C)	Open on Rise	36T01B3	612718	3.12	3L09-10	03L09 010S1
	170°F (77°C)	210°F (99°C)	Open on Rise	36T01B3	612719	3.12	3L09-11	03L09 011S1
	180°F (82°C)	220°F (104°C)	Open on Rise	36T01B3	612722	3.12	3L09-12	03L09 012S1
	210°F (99°C)	240°F (116°C)	Open on Rise	36T01B3	612723	3.12	3L09-13	03L09 013S1
	210°F (99°C)	250°F (121°C)	Open on Rise	36T01B3	612725	3.12	3L09-14	03L09 014S1
	230°F (110°C)	260°F (127°C)	Open on Rise	36T01B3	612727	3.12	3L09-15	03L09 015S1
	130°F (54°C)	150°F (66°C)	Open on Rise	36T01B3	612704	3.12	3L09-16	03L09 016S1
	225°F (107°C)	250°F (121°C)	Open on Rise	36T01B3	612726	3.12	3L09-17	03L09 017S1
	125°F (62°C)	155°F (68°C)	Open on Rise	36T01B3	612705	7.12	3L09-18	03L09 018S1
	145°F (63°C)	175°F (79°C)	Open on Rise	36T01B3	612712	7.12	3L09-19	03L09 019S1
	210°F (99°C)	240°F (116°C)	Open on Rise	36T01B3	612724	7.12	3L09-20	03L09 020S1
	140°F (60°C)	160°F (71°C)	Open on Rise	36T01B3	612707	3.12	3L09-22	03L09 022S1
	150°F (66°C)	170°F (77°C)	Open on Rise	36T01B3	612709	3.12	3L09-23	03L09 023S1
	170°F (77°C)	190°F (88°C)	Open on Rise	36T01B3	612716	3.12	3L09-24	03L09 024S1
	180°F (82°C)	200°F (93°C)	Open on Rise	36T01B3	612717	3.12	3L09-25	03L09 025S1
	160°F (71°C)	180°F (82°C)	Open on Rise	36T01B3	612713	1.87	3L09-26	03L09 026S1
	200°F (93°C)	220°F (104°C)	Open on Rise	36T01B3	612721	1.87	3L09-27	03L09 027S1
	180°F (82°C)	210°F (99°C)	Open on Rise	36T01B3	612720	3.12	3L09-28	03L09 028S1

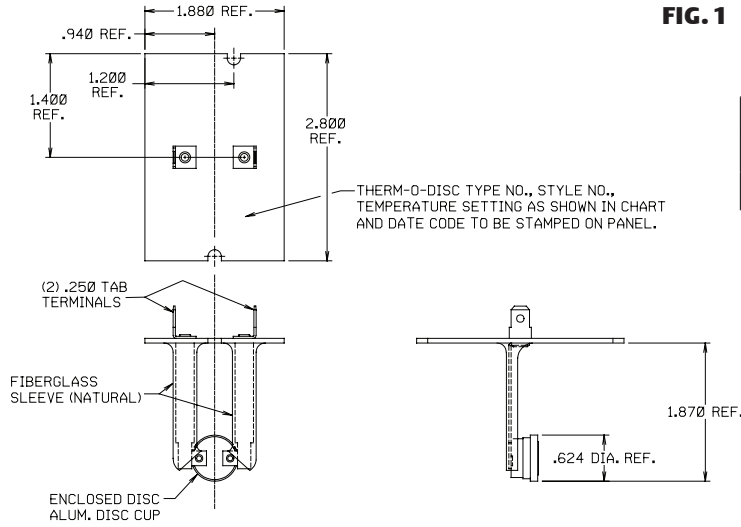


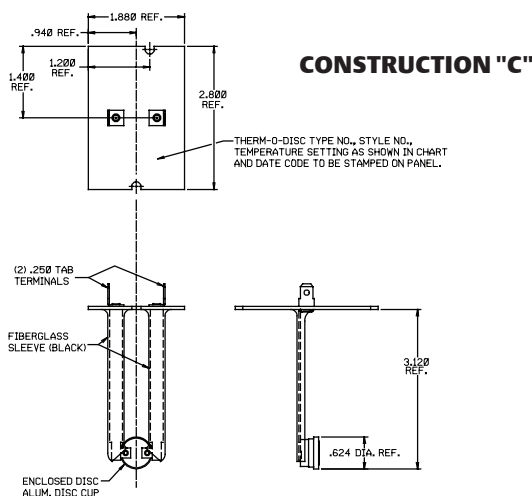
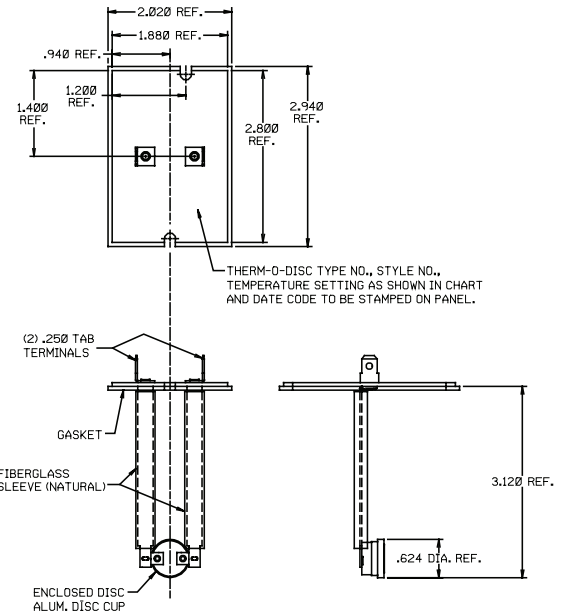
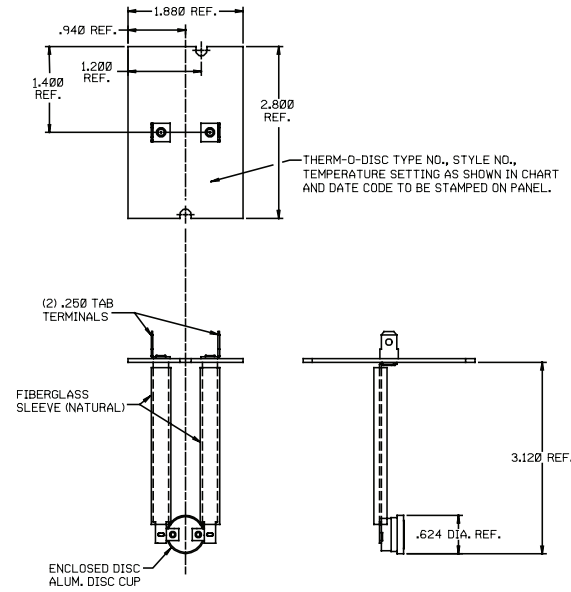
FIG. 1

MODEL NUMBER	TEMP. SETTING ON PANEL	OPEN TEMP.	CLOSE TEMP.
3L09-1	L140-40	140°F±5°	100°F±8°
3L09-2	L170-40	170°F±5°	130°F±8°

CONSTRUCTION "A"

FIG. 2

CONSTRUCTION "B"



CONSTRUCTION "C"

MODEL NUMBER	CONSTRUCTION	TEMP. SETTING ON PANEL	OPEN TEMP.	CLOSE TEMP.
3L09-3	A	L140-30F	140°F±5°	110°F±8°
3L09-4	C	L150-20F	150°F±5°	130°F±8°
3L09-5	C	L160-20F	160°F±5°	140°F±8°
3L09-6	B	L170-40F	170°F±5°	130°F±8°
3L09-7	A	L175-30F	175°F±5°	145°F±8°
3L09-8	B	L180-40F	180°F±6°	140°F±9°
3L09-9	C	L190-20F	190°F±5°	170°F±8°
3L09-10	B	L200-40F	200°F±6°	160°F±9°
3L09-11	B	L210-40F	210°F±6°	170°F±9°
3L09-12	B	L220-40F	220°F±6°	180°F±9°
3L09-13	A	L240-30F	240°F±6°	210°F±10°
3L09-14	B	L250-40F	250°F±7°	210°F±11°
3L09-15	A	L260-30F	260°F±6°	230°F±10°

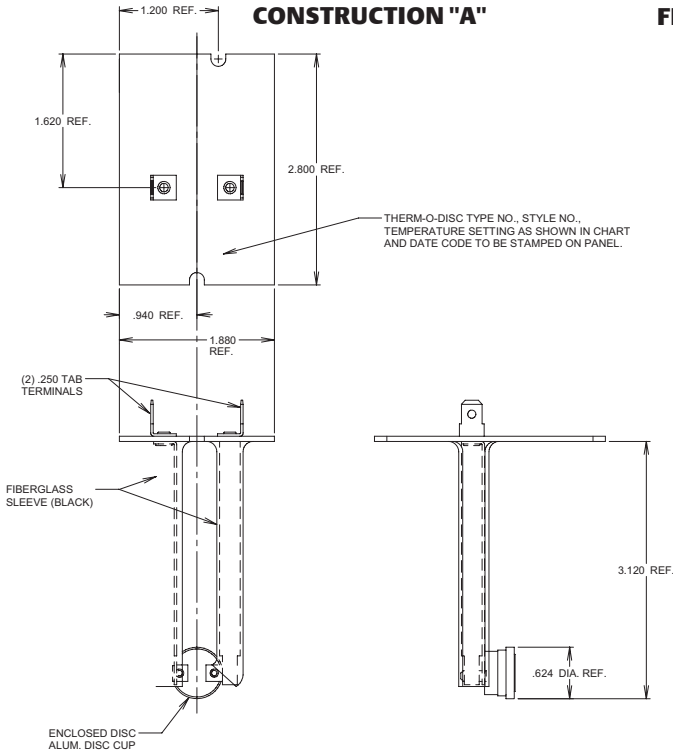
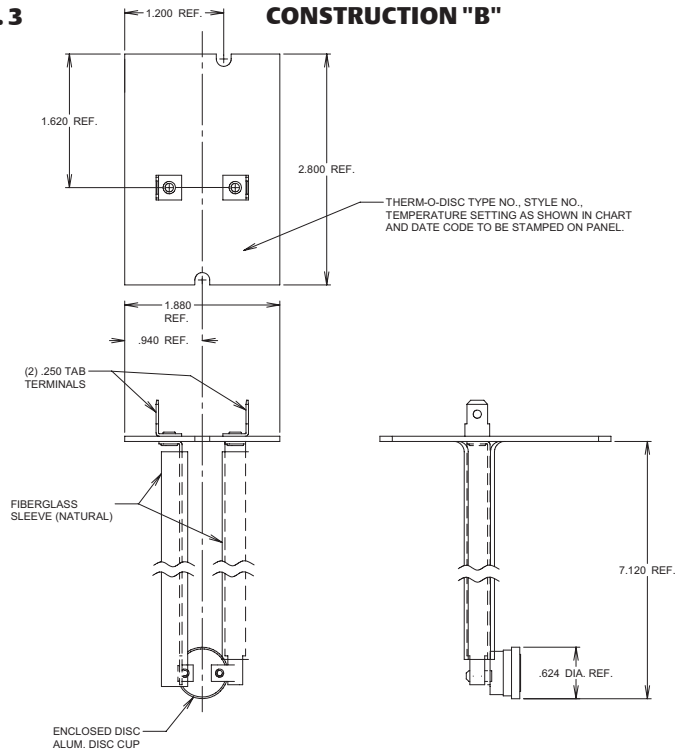


FIG. 3



MODEL NUMBER	CONSTRUCTION	TEMP. SETTING ON PANEL	OPEN TEMP.	CLOSE TEMP.
3L09-16	A	L150-20F	150°F±5°	130°F±8°
3L09-17	A	L250-25F	250°F±6°	225°F±9°
3L09-18	B	L155-30F	155°F±5°	125°F±8°
3L09-19	B	L175-30F	175°F±5°	145°F±8°
3L09-20	B	L240-30F	240°F±6°	210°F±10°

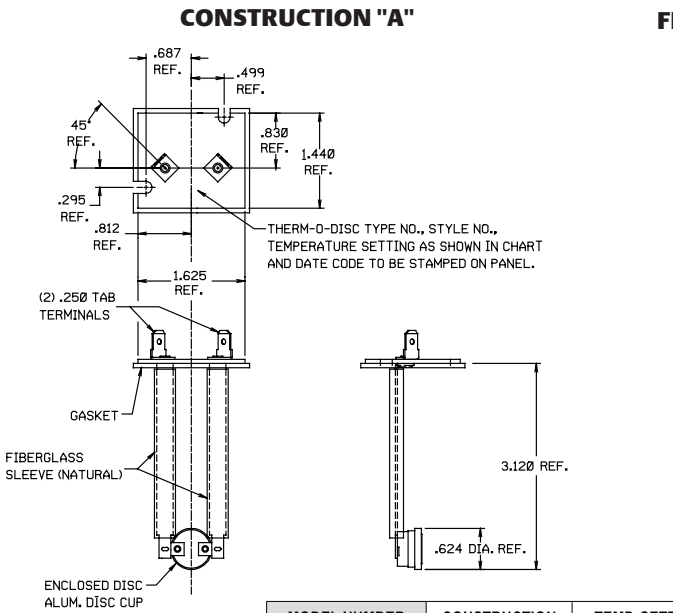
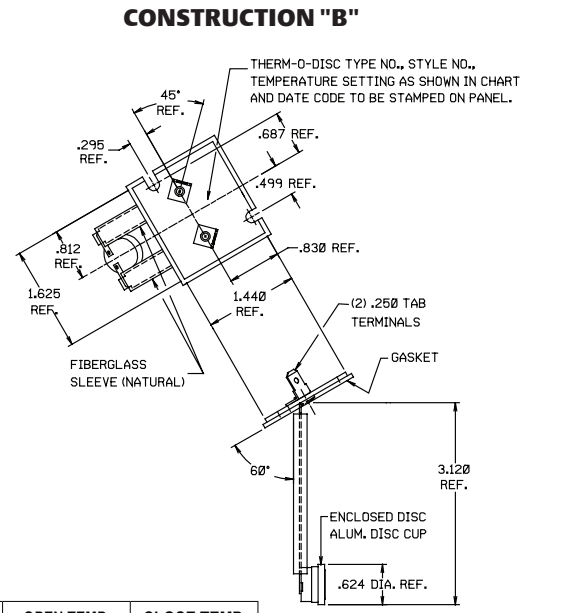
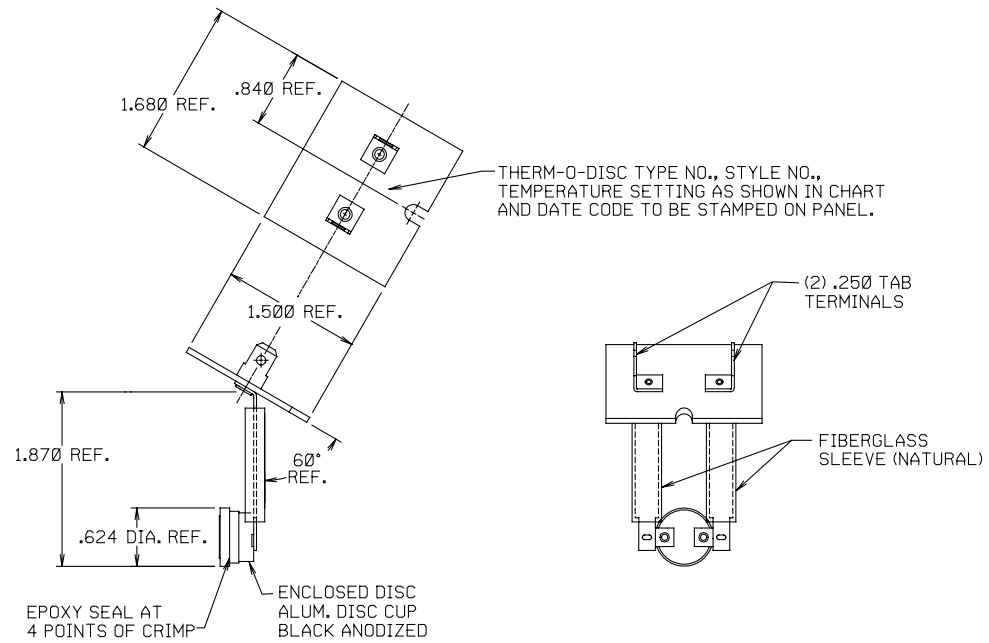


FIG. 4



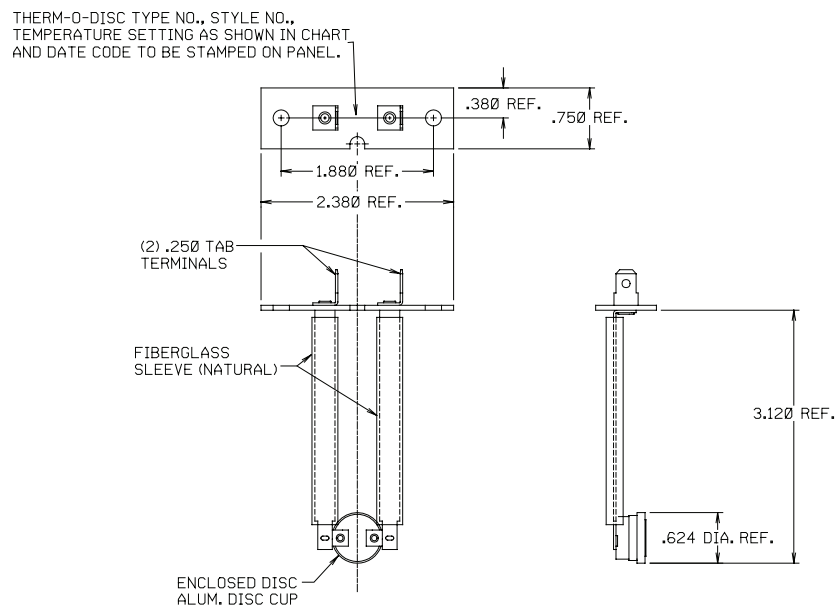
MODEL NUMBER	CONSTRUCTION	TEMP. SETTING ON PANEL	OPEN TEMP.	CLOSE TEMP.
3L09-22	A	L160-20F	160°F±5°	140°F±8°
3L09-23	A	L170-20F	170°F±5°	150°F±8°
3L09-24	B	L190-20F	190°F±5°	170°F±8°
3L09-25	B	L200-20F	200°F±5°	180°F±8°

FIG. 5



MODEL NUMBER	TEMP. SETTING ON PANEL	OPEN TEMP.	CLOSE TEMP.
3L09-26	L180-20F	180°F±5°	160°F±8°
3L09-27	L220-20F	220°F±5°	200°F±8°

FIG. 6



MODEL NUMBER	TEMP. SETTING ON PANEL	OPEN TEMP.	CLOSE TEMP.
3L09-28	L210-30F	210°F±5°	180°F±8°



3L12-130

SNAP DISC MANUAL RESET FLAME ROLLOUT LIMITS

Manual reset flame rollout limit switches designed for safety in gas fired furnaces, unit heater and roof-top units.

FEATURES

- Loose ring, stainless steel mounting brackets
- 1/4" quick connect terminals. 90° orientation to mounting hole
- Manual reset
- Stainless steel disc cup

SPECIFICATIONS

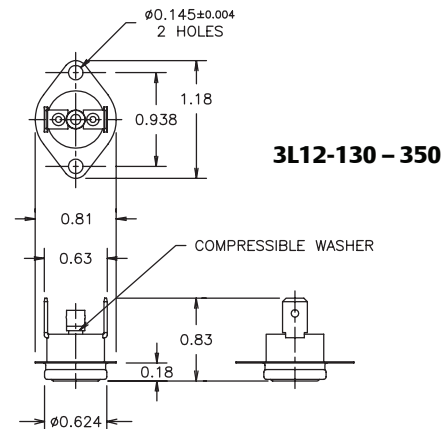
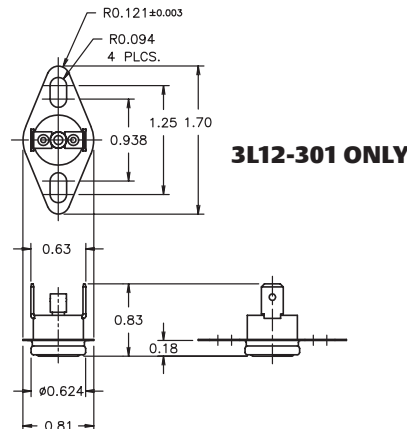
Switch Action SPST Open on Rise
 Electrical Ratings Resistive 15A @ 120 Vac, 10A @ 240 VAC
 Inductive 1.5 FLA, 25.0 LRA @ 120 Vac; 1.5 FLA, 6.0LRA @ 240 VAC
 Pilot Duty 125 VA
 Dimensions
 3L12-30183"H X .81"W X 1.18"L
 Others83"H X .81"W X 1.70"L
 Weight 0.2 oz.
 UR/CUR File Number E19279
 CSA/CUS Certificate Number LR77886/LR109556
 VDE Lic. 118631

SNAP DISC MANUAL RESET FLAME ROLLOUT LIMITS

APPLICATION	FIXED TEMPERATURE SETTINGS CUT-IN	FIXED TEMPERATURE SETTINGS CUT-OUT	SWITCH ACTION	THERM-O-DISC TYPE	THERM-O-DISC STYLE	MODEL NUMBER	ITEM NUMBER
Snap Disc Limit - Manual Reset	Manual Reset	130°F (54°C)	Open on Rise	36TX16	611863	3L12-130	3L12-130
	Manual Reset	135°F (57°C)	Open on Rise	36TX16	611864	3L12-135	3L12-135
	Manual Reset	220°F (104°C)	Open on Rise	36TX16	611865	3L12-220	3L12-220
	Manual Reset	230°F (110°C)	Open on Rise	36TX16	611866	3L12-230	3L12-230
	Manual Reset	240°F (116°C)	Open on Rise	36TX16	611867	3L12-240	3L12-240
	Manual Reset	250°F (121°C)	Open on Rise	36TX16	611868	3L12-250	3L12-250
	Manual Reset	260°F (127°C)	Open on Rise	36TX16	611869	3L12-260	3L12-260
	Manual Reset	300°F (149°C)	Open on Rise	36TX16	611870	3L12-300	3L12-300
	Manual Reset	350°F (177°C)	Open on Rise	36TX16	611871	3L12-350	3L12-350
	Manual Reset	300°F (149°C)	Open on Rise	36TX16	611971	3L12-301*	3L12-301*

* Specifically designed for ICP part #1013102

3L12 SERIES OUTLINE DIAGRAMS





3F01-130

SNAP DISC FIXED TEMPERATURE FAN LIMITS

Automatic reset, manual reset and SPDT styles for fans, blowers or high limit cut out.

FEATURES

- Loose ring, stainless steel mounting brackets
- Mounting holes match standard 3/4" snap discs
- 1/4" quick connect terminals
- Last three numbers indicate cut-in temperatures on fan controls and cut-out temperatures on limits

SPECIFICATIONS

Maximum Ambient.....350°F
 Switch Action SPST Open or Close on Rise
 Electrical RatingsResistive 25A @ 120 VAC, 25A @ 240 VAC
 Inductive 10 FLA, 60 LRA @ 120 VAC; .5 FLA, 30 LRA @ 240 VAC
 3L03: Terminals 1 & 2 Close on RiseResistive 25A @ 120 VAC, 25A @ 240 VAC
 Inductive 5.8 FLA, 34.8 LRA @ 120 VAC; 2.9 FLA, 17.4 LRA @ 240 VAC
 3L03: Terminals 1 & 3 Open on RiseResistive 25A @ 120 VAC, 25A @ 240 VAC
 Inductive 10 FLA, 60 LRA @ 120 VAC; .5 FLA, 30 LRA @ 240 VAC
 Pilot Duty 125 VA
 Dimensions37"H X 1.32"W X 1.23"L
 Weight 0.2 oz.
 UR/CUR File NumberE19279
 CSA/CUS Certificate Number..... LR77886/LR109556
 VDE Lic. 118631

SNAP DISC FIXED TEMPERATURE FAN LIMITS

APPLICATION	FIXED TEMPERATURE SETTINGS CUT-IN	FIXED TEMPERATURE SETTINGS CUT-OUT	SWITCH ACTION	THERM-O-DISC TYPE	THERM-O-DISC STYLE	MODEL NUMBER	ITEM NUMBER
Snap Disc Fan - Automatic Reset SPST	110°F (43°C)	90°F (32°C)	Close on Rise	60T12	610044	3F01-110	03F01 110S1
	120°F (49°C)	110°F (43°C)	Close on Rise	60T12	610046	3F01-120	03F01 120S1
	130°F (54°C)	115°F (46°C)	Close on Rise	60T12	610047	3F01-130	03F01 130S1
	140°F (60°C)	120°F (49°C)	Close on Rise	60T12	611866	3F01-140	03F01 140S1
	150°F (66°C)	130°F (54°C)	Close on Rise	60T12	610050	3F01-150	03F01 150S1
	160°F (71°C)	140°F (60°C)	Close on Rise	60T12	610064	3F01-160	03F01 160S1
	180°F (82°C)	160°F (71°C)	Close on Rise	60T12	610065	3F01-180	03F01 180S1
	200°F (93°C)	180°F (82°C)	Close on Rise	60T12	610066	3F01-200	03F01 200S1
	350°F (177°C)	320°F (160°C)	Close on Rise	60T12	610067	3F01-350	03F01 350S1
Snap Disc Limit - Automatic Reset SPST	110°F (43°C)	120°F (49°C)	Open on Rise	60T11	610000	3L01-120	03L01 120S1
	115°F (46°C)	130°F (54°C)	Open on Rise	60T11	610002	3L01-130*	03L01 130S1
	100°F (38°C)	140°F (60°C)	Open on Rise	60T11	610006	3L01-140	03L01 140S1
	110°F (43°C)	150°F (66°C)	Open on Rise	60T11	610009	3L01-150	03L01 150S1
	125°F (52°C)	165°F (74°C)	Open on Rise	60T11	610069	3L01-165	03L01 165S1
	130°F (54°C)	170°F (77°C)	Open on Rise	60T11	610012	3L01-170	03L01 170S1
	140°F (60°C)	180°F (82°C)	Open on Rise	60T11	610013	3L01-180	03L01 180S1
	150°F (66°C)	190°F (88°C)	Open on Rise	60T11	610015	3L01-190	03L01 190S1
	160°F (71°C)	200°F (93°C)	Open on Rise	60T11	610016	3L01-200	03L01 200S1
	190°F (88°C)	230°F (110°C)	Open on Rise	60T11	610021	3L01-230	03L01 230S1
	210°F (99°C)	250°F (121°C)	Open on Rise	60T11	610023	3L01-250**	03L01 250S1
	250°F (121°C)	300°F (149°C)	Open on Rise	60T11	610026	3L01-300*	03L01 300S1
	310°F (154°C)	350°F (177°C)	Open on Rise	60T11	610068	3L01-350	03L01 350S1

SNAP DISC FIXED TEMPERATURE FAN LIMITS (CONTINUED)

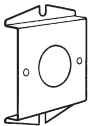
APPLICATION	FIXED TEMPERATURE SETTINGS CUT-IN	FIXED TEMPERATURE SETTINGS CUT-OUT	SWITCH ACTION	THERM-O-DISC TYPE	THERM-O-DISC STYLE	MODEL NUMBER	ITEM NUMBER
Snap Disc Limit - Manual Reset SPST	Manual Reset	160°F (71°C)	Open on Rise	60T15	330534	3L02-160	03L02 160S1
	Manual Reset	170°F (77°C)	Open on Rise	60T15	330535	3L02-170	03L02 170S1
	Manual Reset	180°F (82°C)	Open on Rise	60T15	330536	3L02-180	03L02 180S1
	Manual Reset	190°F (88°C)	Open on Rise	60T15	330537	3L02-190	03L02 190S1
	Manual Reset	200°F (93°C)	Open on Rise	60T15	330538	3L02-200	03L02 200S1

* 3L01-130 and -300 terminals at 30° angle
 ** 3L01-250 terminals is perpendicular to bracket

SNAP DISC FIXED TEMPERATURE FAN LIMITS

APPLICATION	TERMINAL 1 & 3 CUT-IN (CLOSES ON FALL) AT:	TERMINAL 1 & 3 CUT-OUT (OPENS ON RISE) AT:	TERMINAL 1 & 2 CUT-IN (CLOSES ON RISE) AT:	TERMINAL 1 & 2 CUT-OUT (OPEN ON FALL) AT:	SWITCH ACTION	THERM-O-DISC TYPE	THERM-O-DISC STYLE	MODEL NUMBER	ITEM NUMBER
Snap Disc Fan or Limit - Automatic Reset SPDT	120°F (49°C)	140°F (60°C)	140°F (60°C)	120°F (49°C)	SPDT	60T13	611015	3L03-140	03L03 140S1
	170°F (77°C)	190°F (88°C)	190°F (88°C)	170°F (77°C)	SPDT	60T13	611014	3L03-190	03L03 190S1

PARTS AND ACCESSORIES

IMAGE	DESCRIPTION	MODEL NUMBER	ITEM NUMBER
	Fan and limit mounting adapter for 3F01 / 3L01 / 3L02 / 3F02 / 3L03 / 3F05 / 3L05 series controls.	F6-1798	F0006 179800S1



3L05-2

SNAP DISC ADJUSTABLE TEMPERATURE FAN LIMITS

3/4" adjustable automatic reset snap disc thermostats allows you to set the temperature set point to match your specific needs.

FEATURES

- 1/4" quick connect terminals are standard
- Reduces inventory while providing coverage for a wide range of temperature applications
- Replaces the majority of fixed disc thermostats now on heating equipment and various appliances
- 2 adjustable fan control models replace 7 fixed snap disc models
- 5 adjustable limit control models replace 10 fixed snap disc models

SPECIFICATIONS

Switch Action SPST Open or Close on Rise
 Electrical Ratings Resistive 25A @ 120 VAC, 25A @ 240 VAC,
 Inductive 14 FLA, 72 LRA @ 120 VAC; 10 FLA, 60 LRA @ 240 VAC
 Pilot Duty 125 VA
 Dimensions37"H X 1.32"W X 1.23"L
 Weight 0.2 oz.
 UR/CUR File Number E19279
 CSA/CUS Certificate Number LR77886/LR109556
 VDE Lic. 118631

SNAP DISC FIXED TEMPERATURE FAN LIMITS

APPLICATION	TEMPERATURE SETPOINT RANGE	SWITCH ACTION	DIFFERENTIAL	THERM-O-DISC TYPE	THERM-O-DISC STYLE	MODEL NUMBER	ITEM NUMBER
Snap Disc Fan - Adjustable Setting, Automatic Reset	90°F (32°C), to 130°F (54°C)	Close on Rise	20°F (11°C)	74T12	310708	3F05-1	03F05 001S1
	140°F (60°C), to 180°F (82°C)	Close on Rise	20°F (11°C)	74T12	310709	3F05-2	03F05 002S1
	135°F (57°C), to 175°F (79°C)	Open on Rise	40°F (22°C)	74T11	310710	3L05-1	03L05 001S1
	175°F (79°C), to 215°F (102°C)	Open on Rise	40°F (22°C)	74T11	310711	3L05-2	03L05 002S1
	210°F (99°C), to 250°F (121°C)	Open on Rise	40°F (22°C)	74T11	310712	3L05-3	03L05 003S1
	135°F (57°C), to 175°F (79°C)	Open on Rise	20°F (11°C)	74T11	310724	3L05-10	03L05 010S1
	250°F (121°C), to 290°F (143°C)	Open on Rise	40°F (22°C)	74T11	310730	3L05-13	03L05 013S1

PARTS AND ACCESSORIES

IMAGE	DESCRIPTION	MODEL NUMBER	ITEM NUMBER
	Fan and limit mounting adapter for 3F01 / 3L01 / 3L02 / 3F02 / 3L03 / 3F03 / 3L05 series controls.	F6-1798	F0006 179800S1



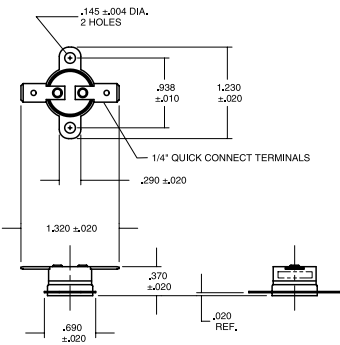
SNAP DISC AUTOMATIC RESET FAN LIMITS

1/2" Automatic reset snap disc thermostats for appliance and HVAC.

FEATURES

- Loose ring, stainless steel mounting brackets
- 1/4" quick connect terminals
- Aluminum disc cup
- Last three numbers indicate cut-in temperatures on fan controls and cut-out temperatures on limits

3F11-100



SPECIFICATIONS

Switch Action SPST Open or Close on Rise
 Electrical Ratings Resistive 15A @ 120 VAC, 10A @ 240 VAC,
 Inductive 3.0 FLA, 12.0LRA @ 120 VAC; 1.5FLA, 6.0LRA @ 240 VAC
 Pilot Duty 125 VA
 Dimensions37\"/>

SNAP DISC AUTOMATIC RESET FAN LIMITS

APPLICATION	CUT-IN	CUT-OUT	SWITCH ACTION	DIFFERENTIAL	THERM-O-DISC TYPE	THERM-O-DISC STYLE	MODEL NUMBER	ITEM NUMBER
Snap Disc Fan - Automatic Reset	100°F (38°C)	70°F (21°C)	Close on rise	30°F (17°C)	36T22	10844	3F11-100	03F11 100
	120°F (49°C)	90°F (32°C)	Close on rise	30°F (17°C)	36T22	10847	3F11-120	03F11 120
	140°F (60°C)	110°F (43°C)	Close on rise	30°F (17°C)	36T22	10849	3F11-140	03F11 140
	170°F (77°C)	140°F (60°C)	Close on rise	30°F (17°C)	36T22	10853	3F11-170	03F11 170
	180°F (82°C)	150°F (66°C)	Close on rise	30°F (17°C)	36T22	10856	3F11-180	03F11 180
	225°F (107°C)	195°F (91°C)	Close on rise	30°F (17°C)	36T22	10860	3F11-225	03F11 225
	240°F (116°C)	140°F (60°C)	Close on rise	100°F (56°C)	36T22	10862	3F11-240	03F11 240
Snap Disc Limit - Automatic Reset	40°F (4°C)	60°F (16°C)	Open on rise	20°F (12°C)	36T21	10842	3L11-60	03L11 060
	70°F (21°C)	85°F (29°C)	Open on rise	15°F (8°C)	36T21	10843	3L11-85	03L11 085
	110°F (43°C)	80°F (27°C)	Open on rise	30°F (17°C)	36T21	10845	3L11-110	03L11 110
	90°F (32°C)	120°F (49°C)	Open on rise	30°F (17°C)	36T21	10846	3L11-120	03L11 120
	110°F (43°C)	140°F (60°C)	Open on rise	30°F (17°C)	36T21	10848	3L11-140	03L11 140
	120°F (49°C)	150°F (66°C)	Open on rise	30°F (17°C)	36T21	10850	3L11-150	03L11 150
	130°F (54°C)	160°F (71°C)	Open on rise	30°F (17°C)	36T21	10851	3L11-160	03L11 160
	140°F (60°C)	170°F (77°C)	Open on rise	30°F (17°C)	36T21	10852	3L11-170	03L11 170
	160°F (71°C)	175°F (79°C)	Open on rise	15°F (8°C)	36T21	10854	3L11-175	03L11 175
	150°F (66°C)	180°F (82°C)	Open on rise	30°F (17°C)	36T21	10855	3L11-180	03L11 180
	160°F (71°C)	190°F (88°C)	Open on rise	30°F (17°C)	36T21	10857	3L11-190	03L11 190
	180°F (82°C)	210°F (99°C)	Open on rise	30°F (17°C)	36T21	10858	3L11-210	03L11 210
	190°F (88°C)	220°F (104°C)	Open on rise	30°F (17°C)	36T21	10859	3L11-220	03L11 220
	200°F (93°C)	230°F (110°C)	Open on rise	30°F (17°C)	36T21	10861	3L11-230	03L11 230
	220°F (104°C)	250°F (121°C)	Open on rise	30°F (17°C)	36T21	10863	3L11-250	03L11 250
	275°F (135°C)	325°F (163°C)	Open on rise	50°F (28°C)	36T21	10864	3L11-325	03L11 325



230-22

230-22 FAN CONTROL

Provides regulation of duct temperatures in conjunction with air handling units or control of circulator for indoor-outdoor regulation from a remote point.

FEATURES

- Hydraulic action element - Unaffected by vibration
- Switch case mounts in any position - No leveling required. Includes bulb mounting clip
- High electrical rating permits operation of most equipment without use of relays or motor starters
- Dustproof steel case - Dial visible and can be adjusted through cover. Case has knockouts on top and bottom

SPECIFICATIONS

Dimensions 5.75"H X 2.32"W X 2.56"D
 Finish..... Grey
 UR/CUR File NumberE12615

230-22 FAN CONTROL

SWITCH ACTION	RANGE	DIFFERENTIAL	CAPILLARY LENGTH	BULB SIZE	MOTOR RATING (FULL LOAD)		RESISTIVE (NON-INDUCTIVE)		MODEL NUMBER	ITEM NUMBER
					120 VAC	240 VAC	120 VAC	240 VAC		
Open on Rise (Heating)	20 to 120°F (-6 to 49°C)	Adj. 4 to 30°F (2.2 to 17°C)	8 ft.	6-1/4 x 3/8"	14.0A	7.0A	25.0A	22.0A	230-22 ①	02 30 022S1

① U.L. approved adjustable dial stop, factory set at 90°F maximum.
 See White-Rodgers General Information for full electrical ratings.



775-1

775-1 ATTIC FAN CONTROL

Ideal for replacement of similar type controls.

FEATURES

- For use where space is limited
- Small bimetal sensing element
- Snap-Action switch
- Fan control has adjustable range with direct reading temperature dial

SPECIFICATIONS

Dimensions 2.8"H X 3.59"W X 2.02"D

775-1 ATTIC FAN CONTROL

DESCRIPTION	RANGE	DIFFERENTIAL	SWITCH ACTION	MOTOR RATING (FULL LOAD)		PILOT DUTY	MODEL NUMBER	ITEM NUMBER
				120 VAC	240 VAC			
Attic Fan Control with Thermal Limiter	60 to 120°F (1) (15 to 49°C)	Fixed 10°F (6°C)	Close on Rise	9.0 A	—	—	775-1	07 75 001S1

(1) Thermal limiter opens at 183°F (84°C)



770-1

770 SERIES DUAL PURPOSE AIR SWITCH

Responds to positive, negative or differential air pressure.

FEATURES

- Design eliminates "fluttering" or malfunction due to shock or vibration normally encountered with "sail switches"
- Furnished with one 12" piece 1/4" O.D. flexible tubing, nuts and ferrules
- Wide operating range
- Can be mounted in any position except upside down
- Enclosed diaphragm

SPECIFICATIONS

Electrical Rating 1/2 HP @ 125 VAC
 Maximum Pressure 1/2 PSI
 Ambient Temperature -40 to + 180°F
 UL/CUL File Number MP204

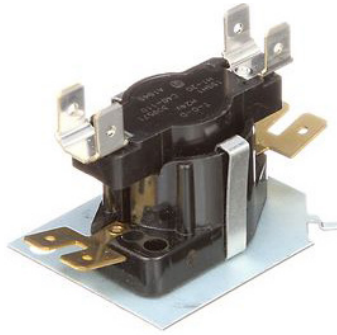
770 SERIES DUAL PURPOSE AIR SWITCH

SWITCH ACTION	ADJUSTABLE OPERATING RANGE	ELECTRICAL RATINGS RESISTIVE (NON-INDUCTIVE) 120 VAC	ELECTRICAL RATINGS RESISTIVE (NON-INDUCTIVE) 240 VAC	ELECTRICAL RATINGS 125-277 VAC	MODEL NUMBER	ITEM NUMBER
SPDT	0.05 to 12.0 W.C.	15.0A	15.0A	300 VA	770-1	07 70 001S1
SPDT	0.05 to 12.0 W.C.	15.0A	15.0A	300 VA	770-3	07 70 00305

* Indicates Canadian Model Number: Call 1-800-305-6953 to order.



24A34 SERIES ELECTRIC HEAT SEQUENCERS



24A34-3

Direct replacement for most fan and heat sequencing functions.

FEATURES

- Replaces Honeywell, MARS, TOD, Gemline, Klixon (Texas Instruments)
- 24V input control
- Multi-poise mounting
- Any contacts (except M1 & M2) can be used as auxiliary contacts
- Double quick-connect terminals for combination loads
- 24A34-15 Used in heat pump air handler applications

SPECIFICATIONS

Ambient Temperature Rating -50 to +165°F
 UR/CUR File NumberE12615

ELECTRICAL RATINGS – SINGLE LOAD CONTACT RATINGS (All Models)

INDUCTIVE (MOTOR) FULL LOAD 120 VAC	INDUCTIVE (MOTOR) FULL LOAD 240 VAC	INDUCTIVE (MOTOR) FULL LOAD 480 VAC	INDUCTIVE (MOTOR) LOCKED ROTOR 120 VAC	INDUCTIVE (MOTOR) LOCKED ROTOR 240 VAC	INDUCTIVE (MOTOR) LOCKED ROTOR 480 VAC	RESISTIVE (NON-INDUCTIVE) 120 VAC	RESISTIVE (NON-INDUCTIVE) 240 VAC	RESISTIVE (NON-INDUCTIVE) 480 VAC	PILOT DUTY
14.0A	7.0A	—	72.0A	42.0A	—	25.0A, 3000W	25.0A, 6000W	12.5A, 6000W	120-240 VAC 125 VA, 480 VAC 480 VA

24A34 SERIES ELECTRIC HEAT SEQUENCERS

TIMINGS	SWITCHES	TIMINGS – ON					TIMINGS – OFF					MODEL NUMBER	ITEM NUMBER
		M1-M2	M3-M4	M5-M6	M7-M8	M9-M10	M1-M2	M3-M4	M5-M6	M7-M8	M9-M10		
1	1	1-20	—	—	—	—	40-110	—	—	—	—	24A34-1	24A34 001S1
1	1	—	—	30-90	—	—	—	—	1-30	—	—	24A34-2	24A34 002S1
1	2	1-20	◆ 1-20	—	—	—	40-110	◆ 40-110	—	—	—	24A34-3 ①	24A34 003S1
1	2	—	—	30-90	◆ 30-90	—	—	—	1-30	◆ 1-30	—	24A34-4	24A34 004S1
2	3	1-110	◆ 1-110	1-110	—	—	1-110	◆ 1-110	1-110	—	—	24A34-5 ①	24A34 005S1
2	4	1-110	◆ 1-110	1-110	◆ 1-110	—	1-110	◆ 1-110	1-110	◆ 1-110	—	24A34-6 ①	24A34 006S1
4	5	1-160	◆ 1-160	1-160	1-160	1-160	1-160	◆ 1-160	1-160	1-160	1-160	24A34-14 ① ②	24A34 014S1
1	1	1-20	—	—	—	—	1-50	—	—	—	—	24A34-21	24A34 021B1
1	1	15-45	—	—	—	—	1-30	—	—	—	—	24A34-22	24A34 022B1
1	1	25-55	—	—	—	—	15-45	—	—	—	—	24A34-23	24A34 023B1
1	1	30-75	—	—	—	—	1-40	—	—	—	—	24A34-24	24A34 024B1
1	1	40-90	—	—	—	—	1-30	—	—	—	—	24A34-25	24A34 025B1
2	2	1-20	30-90	—	—	—	40-90	1-30	—	—	—	24A34-26	24A34 026B1
2	2	1-160	1-160	—	—	—	1-160	1-160	—	—	—	24A34-27	24A34 027B1
2	2	1-160	1-160	—	—	—	1-160	1-160	—	—	—	24A34-28 ③	24A34 028B1
1	1	15-35	—	—	—	—	25-55	—	—	—	—	24A34-29	24A34 029B1
2	2	1-20	30-45	—	—	—	45-110	1-30	—	—	—	24A34-36	24A34 036B1
1	1	1-110	—	—	—	—	1-110	—	—	—	—	24A34-37	24A34 037B1

COMBINED LOAD RATING TABLE (All Models):

30A @ 240 VAC – TOTAL,
 23A Non-Inductive + 7 FLA / 42 LRA Inductive
 ON Time: Elapsed time to make contacts after heater is energized (min. to max.)
 OFF Time: Elapsed time to break contacts after heater is de-energized (min. to max.)

TABLE NOTES:

- ① M1-M2 and M3-M4 are always first switches to turn ON and last to turn OFF. All other switches are random ON and random OFF
- ② 24A34-14 Switch contacts designated F₁ - F₂ instead of M₁ - M₂
- ③ 24A34-28 is 2 pole double throw
- ◆ These contacts switch simultaneously
- ✦ Indicates Canadian Model Number: Call 1-800-305-6953 to order.

NOTE: Underwriters Laboratories requires a fan interlock circuit to insure the blower remains operating whenever more than one sequencer is used. The fan interlock should be the M1 / M2 contacts of the second or third sequencer. All M1 / M2 contacts are wired to the blower motor so that any sequencer that is energized will keep the blower ON.

24A34-15 HEAT PUMP CONTROL

TIMINGS	SWITCHES	TIMINGS ON 1-3	TIMINGS OFF 1-3	MODEL NUMBER	ITEM NUMBER
1	1	1-60	75-95	24A34-15	24A34 015S1

ELECTRICAL RATINGS – NORMALLY OPEN CONTACTS 1-3

INDUCTIVE (MOTOR) FULL LOAD 120 VAC	INDUCTIVE (MOTOR) FULL LOAD 240 VAC	INDUCTIVE (MOTOR) LOCKED ROTOR 120 VAC	INDUCTIVE (MOTOR) LOCKED ROTOR 240 VAC	RESISTIVE (NON-INDUCTIVE) 120 VAC	RESISTIVE (NON-INDUCTIVE) 240 VAC	PILOT DUTY
14.0A	7.0A	72.0A	42.0A	25.0A, 3000W	5.0A, 6000W	120 VAC 125 VA, 240 VAC 125 VA

ELECTRICAL RATINGS – NORMALLY CLOSED CONTACTS 1-2

VAC	RESISTIVE (NON-INDUCTIVE) WATTS	RESISTIVE (NON-INDUCTIVE) AMPS	PILOT DUTY
120	1200	10.0	125 VA
240	1200	5.0	125 VA

LEVEL-TEMP CONTROL FOR ELECTRIC HEAT



24A01G-3

Provides silent operation and narrow differential control for heating or cooling installations.

FEATURES

- Level-Temp allows low voltage 2-wire thermostat to control line voltage loads such as baseboard heaters
- Conduit hub or screw mounting
- Ideal for all types of electrical heat
- Non-critical mounting angle. Universal break-off mounting tabs
- Dual Level-Temp capable of controlling two separate loads

SPECIFICATIONS

24A01 and 24A05 Dimensions	1.88"H X 4.50"W X 2.44"D
24A06 Dimensions	3.81"H X 4.81"W X 2.13"D
Switch Action	SPST Normally Open, Single or Dual
Average Time Delay	45 Seconds
Dual Ambient temperature range	-20 to +120°F
UR/CUR File Number	E12615

SINGLE LEVEL TEMPS – NORMALLY OPEN

INPUT VOLTAGE / FREQUENCY	THERMOSTAT CURRENT	A. C. RESISTIVE (NON-INDUCTIVE)	INDUCTIVE (MOTOR) FULL LOAD	INDUCTIVE (MOTOR) LOCKED ROTOR	MODEL NUMBER	ITEM NUMBER
240 VAC / 60 Hz	0.2A	25A, 6000W, 240 VAC	12A, 240 VAC	72A, 240 VAC	24A01G-3	24A01G003S1
347 VAC / 60 Hz	0.2A	17A, 5900W, 347 VAC	—	—	24A01Z-10	24A01Z010S1
120 VAC / 60 Hz	0.2A	25A, 3000W, 120 VAC	16A, 120 VAC	96A, 120 VAC	24A05A-1	24A05A001S1
208 VAC / 60 Hz	0.2A	22A, 5200W, 208 VAC	12A, 208 VAC	72A, 208 VAC	24A05E-1	24A05E001S1
277 VAC / 60 Hz	0.2A	22A, 6000W, 277 VAC	—	—	24A05Z-1	24A05Z001S1
208 VAC / 60 Hz	0.2A	25A, 5200W, 208 VAC	12A, 208 VAC	72A, 208 VAC	24A07E-1	24A07E001S1
240 VAC / 60 Hz	0.2A	25A, 6000W, 240 VAC	12A, 240 VAC	72A, 240 VAC	24A07G-1	24A07G001S1

* Indicates Canadian Model Number: Call 1-800-305-6953 to order.

DUAL LEVEL TEMPS CONTROLS TWO INDEPENDENT LOADS – NORMALLY OPEN

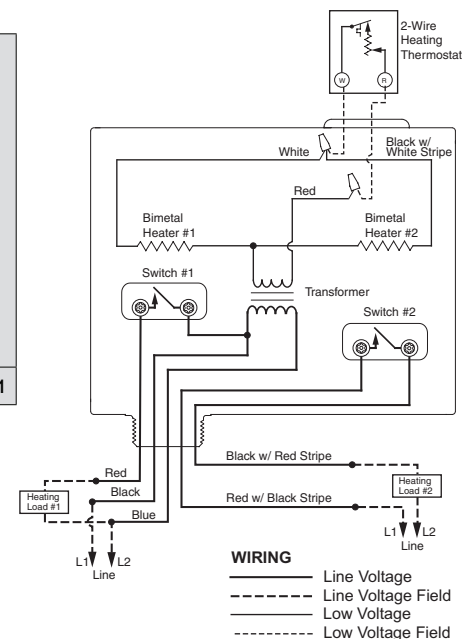
INPUT VOLTAGE / FREQUENCY	THERMOSTAT CURRENT	A. C. RESISTIVE (NON-INDUCTIVE) ①	INDUCTIVE (MOTOR) FULL LOAD	INDUCTIVE (MOTOR) LOCKED ROTOR	MODEL NUMBER	ITEM NUMBER
240 VAC / 60 Hz	0.2A per switch	25A, 6000W, 240 VAC	12A, 240 VAC	72A, 240 VAC	24A06G-1	24A06G001S1

① Electrical ratings apply to each switch load

NOTE: Delay approximately 30 seconds opening and 60 seconds closing.

Replaces Honeywell R841 Series

24A06 DUAL LEVEL TEMP WIRING





754-1

750 SERIES ELECTRIC WATER HEATER CONTROLS

Surface mount temperature sensing controls.

FEATURES

- High electrical capacity
- Snap-Action contact
- Long life-proven reliability
- Adjustable control or manual reset styles

SPECIFICATIONS

Agency..... UL, CSA

750 SERIES ELECTRIC WATER HEATER CONTROLS

DESCRIPTION	SWITCH ACTION	RANGE	A.C. ELECTRICAL RATINGS (NON-INDUCTIVE) 120 / 240 VAC	A.C. ELECTRICAL RATINGS (NON-INDUCTIVE) 277 VAC	A.C. ELECTRICAL RATINGS (NON-INDUCTIVE) 480 VAC	MODEL NUMBER	ITEM NUMBER
DPST limit (manual reset)	Open on Rise	170°F fixed (77°C)	—	40.0A	25.0A	754-1	07 54 001S1
SPST thermostat	Open on Rise	90 to 150°F (32 to 66°C)	30.0A	25.0A	12.5A	755-1	07 55 001S1
754-1 + 755-1	N/A	N/A	30.0A	25.0A	12.5A	755-50	07 55 050S1
SPDT thermostat	Open 1-2 on Rise	90 to 150°F (32 to 66°C)	30.0A	25.0A	12.5A	756-1	07 56 001S1
754-1 + 756-1	N/A	N/A	30.0A	25.0A	12.5A	756-50	07 56 050S1



37C73U-168

37C SERIES GAS HOT WATER HEATER CONTROLS

Replacement for standard gas water heater controls.

FEATURES

- Automatic shut-off of main and pilot gas in the event of pilot failure
- Pilot gas cock with safe lighting feature and filter
- Temperature adjustment
- Manifold pressure tap
- Built-In E.C.O. (Energy Cut Off) non-cycling high limit

SPECIFICATIONS

Inlet Size..... 1/2" NPT
 Outlet Size..... 1/2" inverted flare
 Outlet Adapter Fittings..... 1/2" inverted flare X 3/8" NPT reducer adapter
 1/2" X 1/2" inverted flare outlet extension adapter
 Mounting 3/4" NPT, 4-1/2" bulb insertion length
 Pilot Connection..... 1/4" compression fitting
 CSA/CUS Certification Number 1083351

37C SERIES GAS HOT WATER HEATER CONTROLS

FAMILY BRANDS OF EQUIPMENT	REPLACES OEM MODEL NUMBER	GAS TYPE	REGULATOR SETTING	TEMPERATURE RANGE	SHANK LENGTH	FITTINGS INCLUDED	MODEL NUMBER	ITEM NUMBER
A. O. Smith, Robertshaw	Consult WR Cross Reference	Natural Gas (Right hand threads)	Main 3.5" W.C., Pilot 4.0" W.C.	70 to 160°F (21 to 71°C)	1-1/4"	Outlet adapter fittings	37C73U-168	37C73U168S1
A. O. Smith, State Industries, American Water Heater	Consult WR Cross Reference	L.P. Gas (Left hand threads)	Main 10.0" W.C., Pilot 10.0" W.C.	70 to 160°F (21 to 71°C)	1-1/4"	Left hand outlet extension fittings: 1/2" LH x 1/2" LH inverted flare and 1/2" LH x 3/8" LH inverted flare	37C72U-185	37C72U185S1
A. O. Smith	37C73U-274	Natural Gas	Main and Pilot 4.0" W.C.	70 to 160°F (21 to 71°C)	2-1/2"	N/A	37C73U-171	37C73U-171
A. O. Smith	37C73U-640	Natural Gas	Main and Pilot 4.0" W.C.	70 to 160°F (21 to 71°C)	1-1/4"	N/A	37C73U-173	37C73U-173
A. O. Smith	37C73U-641	Natural Gas	Main and Pilot 4.0" W.C.	70 to 160°F (21 to 71°C)	2-1/4"	N/A	37C73U-172	37C73U-172
A. O. Smith	37C73U-652	Natural Gas	Main 4.0" W.C., Pilot 5.0" W.C.	70 to 160°F (21 to 71°C)	1-1/4"	N/A	37C73U-174	37C73U-174
Rheem	37C73U-836	Natural Gas	Main 4.0" W.C., Pilot 4.9" W.C.	70 to 160°F (21 to 71°C)	1"	N/A	37C73U-170	37C73U-170



37E73A-903

37E SERIES INTELLI-VENT™ CONTROLS

Power vented water heater gas combination control, ignition and thermostat.

FEATURES

- INTELLI-VENT™ combines gas, ignition and thermostat into one control
- Right angle with 1/2" N.P.T. inlet and 1/2" inverted flare outlet
- 70° to 160° range
- Regulation range 20,000 to 150,000 BTU's
- Natural gas only

SPECIFICATIONS

Operating Voltage..... 120 VAC, 60 HZ
 Ignitor Load..... 2 Amps Maximum
 Inducer Draft Motor..... 3 Amps Full Load, 4 Amps Locked Rotor
 Range of Regulation (BTU / Hr.) 20000 - 150,000 BTU / Hr.
 1.0" Pressure Drop Capacity..... 100,000 BTU / Hr.
(1000 BTU / FT³, 0.64 specific gravity Natural Gas)
 Maximum Inlet Pressure 1/2 PSI
 Ambient Temperature Rating 32°F to 160°F (0°C to 70°C)
 CSA/CUS Certification Number..... 1280281

37E SERIES INTELLI-VENT CONTROLS

REPLACES OEM MODEL NUMBER	ORIGINAL EQUIPMENT MANUFACTURER	MODEL NUMBER	ITEM NUMBER
184960, 9003691005, 37E73A-303	A.O. SMITH, STATE INDUSTRIES	37E73A-903	37E73A-903B1
9005964005, 37E73A-306	STATE INDUSTRIES	37E73A-906	37E73A-906B1
56000152A, 37E73A-318	GIANT	37E73A-918	37E73A-918B1
GSW 64020, 37E73A-321	GSW	37E73A-921	37E73A-921B1
GSW 64021, 64021, 37E73A-322	GSW (WHITE-RODGERS MODEL NUMBER)	37E73A-922	37E73A-922B1
SP13845D, 37E73A-327	RHEEM	37E73A-927	37E73A-927B1

INTEGRATED WATER HEATER CONTROL

Solid state thermostat control for gas fired commercial water heaters.



11E79-901

FEATURES

- Provides relay switched output for damper or inducer fan applications and a "Call for Heat" signal and power to energize a gas valve
- Receives input signals from a temperature probe and Electric Cutoff (ECO)
- Controls temperature with an integrated temperature control knob
- Provides diagnostic LED's to trouble shoot system faults and issues

SPECIFICATIONS

Input & Frequency..... 120 VAC, 60 Hz
 XFMR Sec. Current..... 1.5 A @ 24 VAC
 Field Output (DD4, DD2)..... 1.5A @ 24 VAC
 Temperature Set-point Range..... 20°F-180°F
 CSA/CUS Certification Number..... 1028064

INTEGRATED WATER HEATER CONTROL - Cross Reference Table

REPLACES OEM MODEL	TEMPERATURE RANGE	MODEL NUMBER	ITEM NUMBER
11E79-101, 11E79-301	120 to 180°F	11E79-901	11E79-901



11B79-3

GAS WATER HEATER CONTROL

Commercial water heater control with built in ECO direct replacement for A.O.Smith 192828-000.

FEATURES

- All bulbs are full direct immersion - no immersion well required
- Case element has a bulb for the ECO and thermostat
- Thermostat has a remote bulb with an integral to remote bulb volume ratio of 3:1
- Remote capillary routed through immersion nut for strain relief
- Temperature regulating device for use in applications not exceeding 180°F (82°C)

SPECIFICATIONS

Case Element.....3/4" NPT, 2-3/4" shank, 4.63" beyond thread
 Remote Element.....3/4"NPT, compression fitting on 1-1/2" stud, 5 1/4" beyond stud
 CSA/CUS Certification Number 1070508

GAS WATER HEATER CONTROL

THERMOSTAT ELECTRICAL RATING	THERMOSTAT SWITCH ACTION	E.C.O. ELECTRICAL RATING	E.C.O. SWITCH ACTION	MODEL NUMBER	ITEM NUMBER
24 VAC - 0.75 Amp 0.25 to 1.0 VDC - 0.25 Amp 10 F.L.A., 60 L.R.A., 120 VAC	Open on Rise Differential: Fixed 4°F (2.2°C)	24 VAC - 0.75 Amp 0.25 to 1.0 VDC - 0.25 Amp	Open on Rise @ 205°F (96°C) Differential: Non-Cycling Manual Reset	11B79-3	11B79-3



1311-102

1300 SERIES HYDRONIC ZONE VALVES

1300 Series valves for zoning systems up to 50 PSI operate quietly and efficiently providing years of reliable service.

FEATURES

- Self-aligning barrel-type valve stem design
- Made of a corrosion-resistant stainless steel
- Motor can be removed from valve assembly without draining system
- Built-in auxiliary contacts to control burner or circulator relay
- Automatic recycling manual operator shows valve position at all times
- Screw terminal wiring panel for added convenience

SPECIFICATIONS

Electrical Ratings	24 VAC
.....	1311 - 0.4A
.....	1361 - 0.2A
.....	Aux Switch - 2.0A

3-WIRE, 24V VALVES WITH SCREW TERMINAL WIRING PANEL AND AUXILIARY SWITCH

(See table at bottom for compatible thermostats)

TUBING SIZE (I.D.)	24 VAC THERMOSTAT CIRCUIT RATING	TIME CYCLE	MAXIMUM DIFFERENTIAL ACROSS VALVE	MAXIMUM WATER TEMP.	MAXIMUM SYSTEM PRESSURE	FLOW CAPACITY CV	FRICTION LOSS EQUIVALENTS FT. OF TUBING	MODEL NUMBER	ITEM NUMBER
3/4"	0.4A ①	Open: 45 seconds Close: 45 seconds	15 PSI	240°F (116°C)	50 PSI	23.5 ③	2.5	1311-102	13 11 102S1
1"	0.4A ①	Open: 45 seconds Close: 45 seconds	15 PSI	240°F (116°C)	50 PSI	37.0 ③	3.5	1311-103	13 11 103S1
1-1/4"	0.4A ①	Open: 45 seconds Close: 45 seconds	15 PSI	240°F (116°C)	50 PSI	42.2 ③	6.5	1311-104	13 11 104S1

2-WIRE, 24V VALVES WITH SCREW TERMINAL WIRING PANEL AND AUXILIARY SWITCH

TUBING SIZE (I.D.)	24 VAC THERMOSTAT CIRCUIT RATING	TIME CYCLE	MAXIMUM DIFFERENTIAL ACROSS VALVE	MAXIMUM WATER TEMP.	MAXIMUM SYSTEM PRESSURE	FLOW CAPACITY CV	FRICTION LOSS EQUIVALENTS FT. OF TUBING	MODEL NUMBER	ITEM NUMBER
3/4"	0.2A ②	Open: 45 seconds Close: 60 seconds	15 PSI	240°F (116°C)	50 PSI	23.5 ③	2.5	1361-102	13 61 102S1
1"	0.2A ②	Open: 45 seconds Close: 60 seconds	15 PSI	240°F (116°C)	50 PSI	37.0 ③	3.5	1361-103	13 61 103S1
1-1/4"	0.2A ②	Open: 45 seconds Close: 60 seconds	15 PSI	240°F (116°C)	50 PSI	42.2 ③	6.5	1361-104	13 61 104S1

① Valve current is 0.4A only during opening or closing. For proper anticipation, select thermostat designed for use with a 3-wire zone valve.

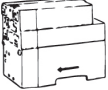
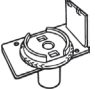

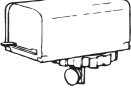



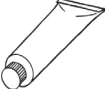
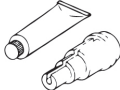
② Valve current is 0.52A when opening but 0.2A when fully open: therefore set anticipator for 0.2A.

③ GPM @ 1 PSI drop.

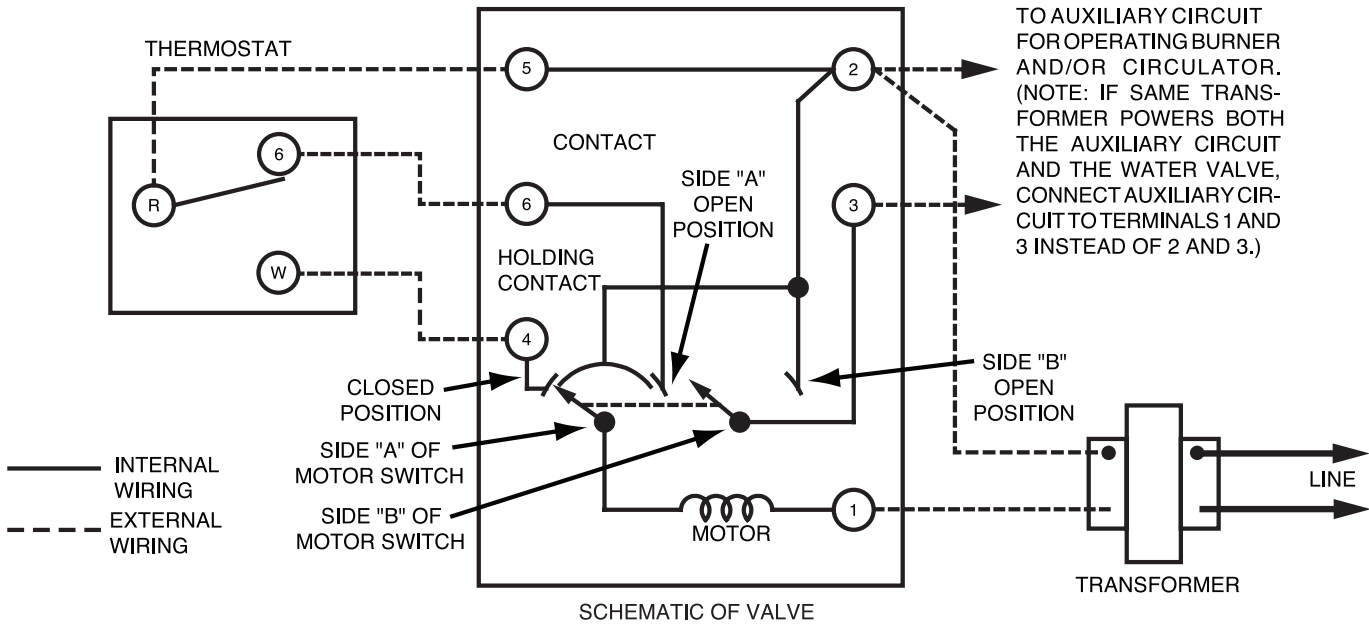
1311 COMPATIBLE THERMOSTATS TABLE

MECHANICAL/ DIGITAL	MODEL NUMBER	ITEM NUMBER	UPGRADE MODEL NUMBER	UPGRADE ITEM NUMBER	MECHANICAL/ DIGITAL
Mechanical	1E56N-444	1E56N-444	1F95-0671	1F95-0671	Premium Digital
Mechanical	1F56N-444	1F56N-444	1F95-0680	1F95-0680	Premium Digital
Digital	1F85U-22NP	1F85U-22NP	1F95-1280	1F95-1280	Premium Digital
Digital	1F85U-22PR	1F85U-22PR	1F95-1291	1F95-1291	Premium Digital
Digital	1F85U-42NP	1F85U-42NP	1F95EZ-0671	1F95EZ-0671	Premium Digital
Digital	1F85U-42PR	1F85U-42PR	1F97-1277	01F97 1277	Premium Digital

PARTS AND ACCESSORIES

IMAGE	DESCRIPTION	MODEL NUMBER	ITEM NUMBER
	1300 Hydronic Zone Valve Motor assemblies For 1311-102, -103, -104 For 1361-102, -103, -104 Water seal replacement kit not included	F19-0097 F19-0104	F0019 009700S1 F0019 010400S1
	1300 Hydronic zone valve assemblies 1311-102 and 1361-102 (3/4") 1311-103 and 1361-103 (1") 1311-104 and 1361-104 (1-1/4")	F84-0433 F84-0434 F84-0435	F0084 043300S1 F0084 043400S1 F0084 043500S1
	1300 Hydronic zone water seal Replacement (Quad ring, "O" ring, Tru-arc ring and cotter pin) 1311-102 and 1361-102 (3/4") 1311-103 and 1361-103 (1") 1311-104 and 1361-104 (1-1/4")	F92-0227 F92-0228 F92-0229	F0092 022700S1 F0092 022800S1 F0092 022900S1
	13A00 Hydronic zone power head (includes seal ring) For 2-way zone Valves 25 VAC with conduit hub 25 VAC with plug-in panel that includes an auxiliary switch	F19-0181 F19-0187	F0019 018100S1 F0019 018700S1
	13A00 Hydronic zone motor 24 VAC motor	F19-0190	F0019 019000S1
	13A00 Hydronic zone valve disc Contains one disc, spring, E-ring and body seal ring	F84-1215	F0084 121500S1
	Hydronic well adapter for 1100 series bulbs	F71-0924	F0071 092400S1
	Hydronic well heat transfer compound	F145-0163	F0145 016300S1
	Hydronic well adapter and heat transfer compound F71-0924 and F145-0163 packed together	F145-0650	F0145 065000S1

1311 THREE-WIRE ZONE VALVE



TO AUXILIARY CIRCUIT FOR OPERATING BURNER AND/OR CIRCULATOR. (NOTE: IF SAME TRANSFORMER POWERS BOTH THE AUXILIARY CIRCUIT AND THE WATER VALVE, CONNECT AUXILIARY CIRCUIT TO TERMINALS 1 AND 3 INSTEAD OF 2 AND 3.)

SIDE "B" OPEN POSITION

TRANSFORMER

LINE

TERMINALS 1, 2 = POWER TO VALVE

- 1 = 24 VAC NEUTRAL
- 2 = 24 VAC HOT

TERMINALS 5,4,6 = SPDT THERMOSTAT

- 5 = POWER (SAME AS 2 INTERNALLY)
- 4 = OPENS VALVE
- 6 = CLOSSES VALVE

TERMINALS 2, 3 = AUXILIARY SWITCH

2, 3 BECOME SAME POINT ON CALL FOR HEAT

TERMINALS 1, 3 = POWER OUT TO AUXILIARY CIRCUIT

ON CALL FOR HEAT

TROUBLESHOOTING:

1. Attach a voltmeter to terminals 1 and 2. Power (24 volts) should always be present on 1 and 2. If power is interrupted check transformer or power source.

2. With a voltmeter attached as above, jumper terminals 5 and 4 to verify the valve opens. If power is present on 1 and 2 but the valve fails to open check connections. Replace motor assembly (replacement Motor # F19-0097) if condition persists. When the valve opens, break the connection between 5 and 4 and jumper between 5 and 6. The valve should close. If the valve fails to close replace motor assembly.

3. Terminals 2 and 3 (auxiliary circuit) become the same point electrically when the valve opens. Because terminal 2 is 24 volts hot, a voltmeter should read 24 volts between terminal 3 and terminal 1 (neutral) when the valve is open.

NOTE: If the auxiliary circuit terminals (2 and 3) are being attached to a control circuit with a separate transformer the transformers must be in phase or one transformer may be damaged. If phasing the transformers is not possible a 24 volt isolation relay can be installed with the coil attached to terminals 1 and 3 and the contacts can be used to operate the control circuit. The relay will energize when the valve opens.

For complete installation instructions visit our website.



✦ ZSW34NCA

CANADA "Z" SERIES

Exclusive Canadian Direct-Connect Zone Valves - flare, sweat and NPT models.

FEATURES

- Return spring design & stainless steel for long life
- Swing-type ball valve made from EPDM (Ethylene Propylene Polymer) & Rotating design results in less wear on valve & Raised ball design ensures positive valve closure and even surface wear
- Gears made from heavy 14 gauge brass for durable long life
- Not for steam systems

SPECIFICATIONS

Operating Voltage 24 VAC, 50/60 Hz
 Connection 1/8" leads
 Motor Type Electric synchronous, spring return
 Flow Direction 2-way, straight through

CANADA "Z" SERIES

SERIES	PIPE SIZE	PIPE CONNECTION	FLOW CAPACITY CV	AUXILIARY SWITCH	DE-ENERGIZED POSITION	ΔP	MAX. SYSTEM PRESSURE	MAX. WATER TEMP.	CANADA ✦ MODEL NUMBER	CANADA ✦ ITEM NUMBER
Z Series	1/2"	Inv. Flare	3.5	Yes	NC	20 PSI	142 PSI	110°C	ZINV12NCA	ZINV12NCA
Z Series	1/2"	Inv. Flare	3.5	Yes	NO	20 PSI	142 PSI	110°C	ZINV12NOA	ZINV12NOA
Z Series	3/8"	Flare	3.5	No	NO	20 PSI	142 PSI	110°C	ZFL38NO	ZFL38NO
Z Series	3/8"	Flare	3.5	No	NO	20 PSI	142 PSI	110°C	ZFL38NO-34AD*	ZFL38NO-34AD*
Z Series	3/8"	Flare	3.5	No	NC	20 PSI	142 PSI	110°C	ZFL38NC	ZFL38NC
Z Series	3/8"	Flare	3.5	No	NC	20 PSI	142 PSI	110°C	ZFL38NC-34AD*	ZFL38NC-34AD*
Z Series	3/8"	Flare	3.5	Yes	NC	20 PSI	142 PSI	110°C	ZFL38NCA	ZFL38NCA
Z Series	1/2"	Sweat	3.5	Yes	NC	20 PSI	142 PSI	110°C	ZSW12NCA	ZSW12NCA
Z Series	3/4"	Sweat	3.5	Yes	NC	20 PSI	142 PSI	110°C	ZSW34NCA	ZSW34NCA
Z Series	3/4"	Sweat	3.5	No	NO	20 PSI	142 PSI	110°C	ZSW34NO	ZSW34NO
Z Series	1"	Sweat	3.5	Yes	NC	20 PSI	142 PSI	110°C	ZSW1NCA	ZSW1NCA
Z Series	1"	Sweat	7.0	Yes	NC	20 PSI	142 PSI	110°C	ZSW1NCA7C	ZSW1NCA7C
Z Series	1/2"	NPT	3.5	Yes	NC	20 PSI	142 PSI	110°C	ZNPT12NCA	ZNPT12NCA
Z Series	1/2"	NPT	3.5	No	NO	20 PSI	142 PSI	110°C	ZNPT12NO	ZNPT12NO
Z Series	3/4"	NPT	3.5	Yes	NC	20 PSI	142 PSI	110°C	ZNPT34NCA	ZNPT34NCA
Z Series	1"	NPT	3.5	Yes	NC	20 PSI	142 PSI	110°C	ZNPT1NCA	ZNPT1NCA
Z Series	1"	NPT	3.5	Yes	NC	20 PSI	142 PSI	110°C	ZNPT1NCA7C	ZNPT1NCA7C
Z Series EZ-top	3/8"	Flare	3.5	Yes	NC	20 PSI	142 PSI	110°C	13FL38NCA	13FL38NCA
Z Series EZ-top	1/2"	Inv. Flare	3.5	Yes	NC	20 PSI	142 PSI	110°C	13ZINV12NCA	13ZINV12NCA

✦ Indicates Canadian Model Number: Call 1-800-305-6953 to order.

* With (2) 3/4" sweat adapters.

AUTOMATIC CHANGEOVER SWITCH



752-1

SPDT control provides automatic change-over of thermostat to operate zone valve on combination hot and chilled water systems.

FEATURES

- Epoxy resin seal protects bimetallic disc and Snap-Action contacts from dust, dirt and corrosion
- Furnished with removable spring clip to attach control to tubing
- SPDT switch connects heating side of thermostat to two-wire zone valve when hot water is circulated through tubing
- SPDT switch connects cooling side of thermostat to two-wire zone valve when chilled water is circulated through tubing
- Curved sensing element provides maximum contact with tubing

SPECIFICATIONS

Connectors 12" red, brown and black leads, 105°C insulated, No. 18 wire
 Temperature Settings Red-Black: Open on Rise @ 85°F, Close @ 70°F
 Red-Brown: Close on Rise @ 85°F, Open @ 70°F
 Operating Temperature 221°F maximum

AUTOMATIC CHANGEOVER SWITCHES - Types for use with 1/2" Tubing (5/8" O.D.)

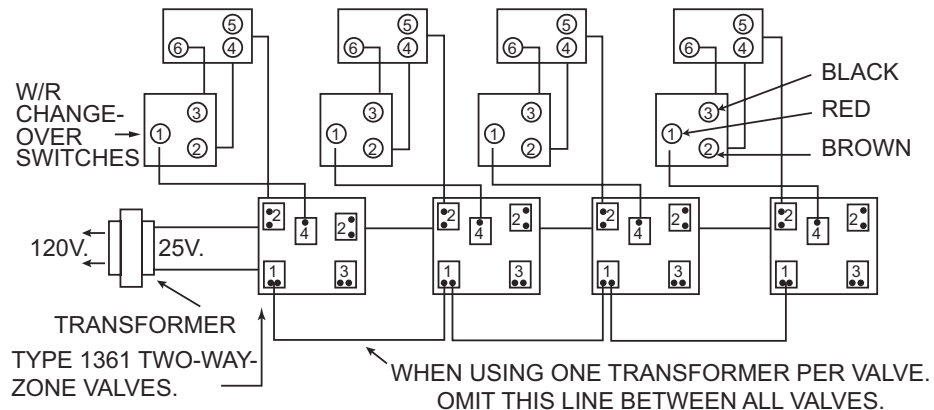
SWITCH ACTION	TEMPERATURE SETTINGS	LEADS	AMPS. INDUCTIVE FULL LOAD AT 120 VAC	AMPS. INDUCTIVE FULL LOAD AT 240 VAC	AMPS. INDUCTIVE LOCKED ROTOR AT 120 VAC	AMPS. INDUCTIVE LOCKED ROTOR AT 240 VAC	AMPS. RESISTIVE AT 120 / 240 / 277 VAC	PILOT DUTY	CONDUIT CONNECTOR	MODEL NUMBER	ITEM NUMBER
SPDT	Red - Black Open at 85° Plus/Minus 6°; Red to Brown Open at 70° Plus/Minus 6°	12" With Stripped Ends	7.5A	3.75A	45.0A	22.5A	15A	15A at 120 / 240 / 277 VAC	No	752-1	07 52 001S1
SPDT	Red - Black Open at 85° Plus/Minus 6°; Red to Brown Open at 70° Plus/Minus 6°	12" With Stripped Ends with Conduit Connector	7.5A	3.75A	45.0A	22.5A	15A	15A at 120 / 240 / 277 VAC	Yes	752-2	07 52 002S1

CONTRACTOR TIP:

Use with 1361 Zone Valves for heat / cool applications.

AUTOMATIC CHANGE-OVER SWITCH WIRING

Typical diagram using Type 1361 valves (25 volts) with Changeover Switch. Boiler, chiller, and circulator operation are independent of thermostat demand.





11D18-1

1100 SERIES WELL IMMERSION TEMPERATURE CONTROLS

Hydronic (hot water) controls for use as high limit, reverse action or SPDT switching action.

FEATURES

- Extra capillary length for extended shank wells
- Special screw terminals with "ears" that securely hold solid and stranded wires
- Screwdriver-adjustable differential with direct-read indicator
- Knockouts on top and bottom and plenty of wiring room
- Hydraulic action element - fast acting
- May be mounted either horizontal or vertical

SPECIFICATIONS

Dimensions 5.38"H + 2.32" coil X 2.56"D
 Finish..... Grey
 UL/CUL File NumberE12615

CONTRACTOR TIP - TESTING AUTOMATIC TEMPERATURE CONTROLS:

To verify a control is opening and closing properly, disconnect all power before testing. Testing must be performed with the sensing element at a temperature within the setting range of the control. For most hydronic controls with a range of 100 to 240°F, a pan of hot water is sufficient to reach the control range. Attach an ohmmeter or continuity tester across the Open on Rise contacts. Lower the temperature setting dial to the lowest setting. If the lowest setting is below the temperature of the sensing element minus the differential of the control, the contacts should be open. Raise the temperature dial slowly. When the setting is raised above the temperature of the sensor, the contacts should close.

TYPES WITH BULBS DIRECTLY INTERCHANGEABLE WITH HONEYWELL - (3-9/16" x 3/8") No wells included

RANGE	DIFFERENTIAL	SWITCH ACTION	MOTOR RATING (FULL LOAD)		VALVES AND RELAYS		MODEL NUMBER	ITEM NUMBER
			120 VAC	240 VAC	24 VAC	0.3-12 VDC		
100 to 240°F (38 to 116°C)	5 to 45°F (3 to 25°C)	Open on Rise	10.0A	6.0A	6.0A	1.0A	11D18-1 ①	11D18 001S1
100 to 240°F (38 to 116°C)	7 to 45°F (4 to 25°C)	SPDT	7.4A	3.7A	2.9A	—	11D31-1	11D31 001S1

TYPES WITH TAPERED BULBS - (2-7/16" x 7/16") All types include 1/2" standard shank well, unless otherwise specified

RANGE	DIFFERENTIAL	SWITCH ACTION	MOTOR RATING (FULL LOAD)		VALVES AND RELAYS		MODEL NUMBER	ITEM NUMBER
			120 VAC	240 VAC	24 VAC	0.3-12V DC		
100 to 240°F (38 to 116°C)	7 to 45°F (4 to 25°C)	SPDT	7.4A	3.7A	2.9A	—	1131-102 ①	11 31 102S1
100 to 240°F (38 to 116°C)	5 to 45°F (3 to 25°C)	Open on Rise	10.0A	6.0A	6.0A	1.0A	11B18-101 ①	11B18 101S1

① Has U.L. approved adjustable dial stop, factory set at 150°F maximum.
 See White-Rodgers General Information for full electrical ratings. 11D18-1, 11B18-101 are rated at HTV and 11D31-1, 1131-102 are rated at HH.

PARTS AND ACCESSORIES

IMAGE	DESCRIPTION	MODEL NUMBER	ITEM NUMBER
	Hydronic well adapter for 1100 series bulbs	F71-0924	F0071 092400S1
	Hydronic well heat transfer compound	F145-0163	F0145 016300S1
	Hydronic well adapter and heat transfer compound F71-0924 and F145-0163 packed together	F145-0650	F0145 065000S1



F89-0211

IMMERSION WELLS & PACKING NUTS

1/2" and 3/4" NPT sizes for hydronic element insertion.

FEATURES

- Wells are used where it is desired that the control operates from the temperature of a liquid in a closed system
- The bulb of the control can be removed from an immersion well in the tank wall with out draining the boiler tank
- The packing nut can be used with any of the remote bulb types listed
- Packing nuts permit closer control than wells because the bulb is directly immersed in the liquid

SPECIFICATIONS

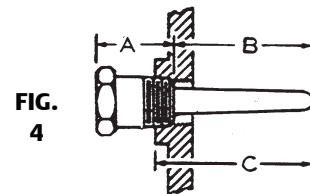
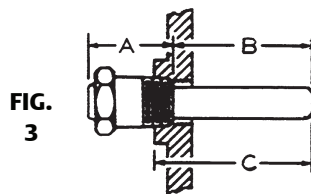
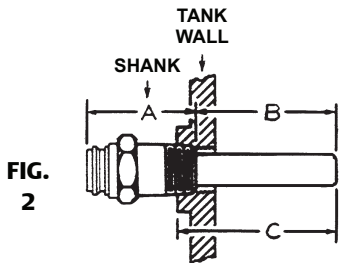
Application Note For use in liquids that are not corrosive to brass and copper
 Not recommended for use above 100 psi, 250°F (120°C)

UNIVERSALLY INTERCHANGEABLE WELLS

BASIC TYPES WELL IS USED WITH	BULB SIZE OF CONTROL USED	WELL DESCRIPTION PIPE SIZE NPT	WELL DESCRIPTION SHANK	FIGURE NUMBER	DIMENSIONS A	DIMENSIONS B	DIMENSIONS C	MODEL NUMBER	ITEM NUMBER
All	3-1/2 x 3/8"	1/2"	Standard	2	1-13/16"	3"	3-5/16"	F89-0211	F0089 021100S1
All	3-1/2 x 3/8"	1/2"	Std. Extended	2	3-5/16"	3"	3-5/16"	F89-0212	F0089 021200S1
All	3-1/2 x 3/8"	3/4"	Standard	2	1-13/16"	3"	3-5/16"	F89-0213	F0089 021300S1
All	3-1/2 x 3/8"	3/4"	Std. Extended	2	3-5/16"	3"	3-5/16"	F89-0214	F0089 021400S1
All	3-1/2 x 3/8"	3/4"	Extra Extended	2	4-13/16"	3"	3-5/16"	F89-0215	F0089 021500S1
1609, 1629, 2A23	5-3/4 x 3/8"	1/2"	Standard	3	15/8"	6"	6-5/16"	F89-0027	F0089 002700S1
11B06, 11B37, 1182	3-1/2 x 7/16"	3/4"	Standard	3	15/8"	2-13/16"	3-1/8"	F89-0033	F0089 003300S1
11B06, 11B37, 1182	3-1/2 x 7/16"	1/2"	Standard	3	15/8"	2-13/16"	3-1/8"	F89-0036	F0089 003600S1
All	2-15/16 x 7/16"	1/2"	Standard	3	15/8"	2-13/16"	3-1/2"	F89-0148	F0089 014800S1
11B18, 11B05, 11B55, 1131	—	1/2"	Standard	4	1-5/8"	2-13/16"	3-1/8"	F89-0062	F0089 006200B1
11B18, 11B05, 11B55, 1131	—	3/4"	Standard	4	1-5/8"	2-13/16"	3-1/8"	F89-0063	F0089 006300B1

PACKING NUT

DESCRIPTION	FIGURE NUMBER	MODEL NUMBER	ITEM NUMBER
Packing nut with 1/2" threads	1	F55-0088	F0055 008800B1





1127-2

1100 SERIES STRAP-ON STYLE TEMPERATURE CONTROLS

Attach directly to surface of pipe. For use as high limit, reverse acting or SPDT switching action control.

FEATURES

- Hydraulic action element can be mounted in any position - no leveling required
- Dustproof steel case
- Special screw terminals with "ears" securely hold solid and stranded wires
- Includes pipe strap and mounting screws

SPECIFICATIONS

Dimensions 6.88"H (includes plate) X 2.32"W X 3.19"D
 Finish..... Grey
 UL/CUL File Number E12615

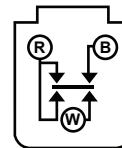
SPDT CONTACT STRUCTURE

HH Rated Controls

SWITCH ACTION

R-B Open on Rise

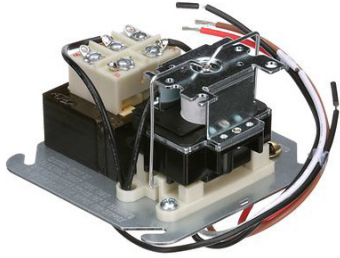
R-W Close on Rise



1100 SERIES STRAP-ON STYLE TEMPERATURE CONTROLS

RANGE	DIFFERENTIAL	SWITCH ACTION	MOTOR RATING (FULL LOAD) 120 VAC	MOTOR RATING (FULL LOAD) 240 VAC	VALVES AND RELAYS 24 VAC	VALVES AND RELAYS 0.3-12 VDC	MODEL NUMBER	ITEM NUMBER
100 to 240°F (38 to 116°C)	Fixed 10°F (5.5°C)	SPDT	7.4A	3.7A	2.9A	—	1127-2 ①	11 27 002S1

① Has U.L. approved adjustable dial stop, factory set at 150°F maximum. See White-Rodgers General Information for full electrical ratings.



90-113

90-112 THRU 90-130 FAN CONTROL CENTER

Transformer and relay combination for easy installation on a 4" X 4" junction box.

FEATURES

- Line voltage connections pre-wired
- Energy limiting Class II transformer design
- Color coded pre-stripped leads
- Low voltage connections on terminal board

SPECIFICATIONS

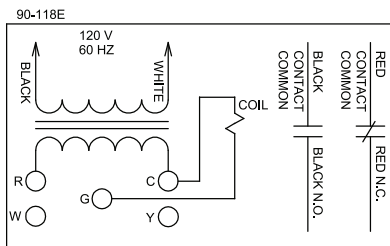
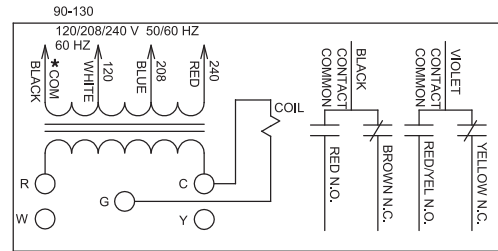
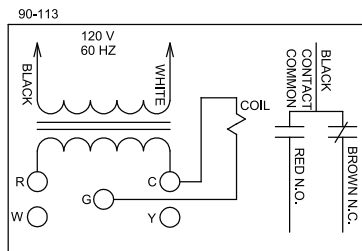
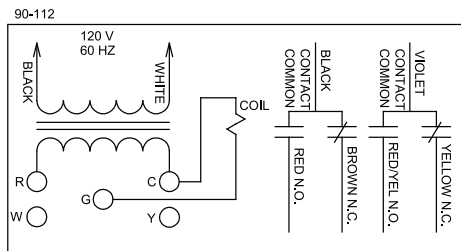
UR/CUR File NumberE73641

REPLACEMENT RELAY FOR FAN CONTROL CENTER

REPLACES RELAY ON	DESCRIPTION	MODEL NUMBER	ITEM NUMBER
90-112, 90-113, 90-117, 90-118E, 90-119, 90-130	DPDT Universal Plug-in Relay	90-340	90 340S1

90-112 THRU 90-130 FAN CONTROL CENTER

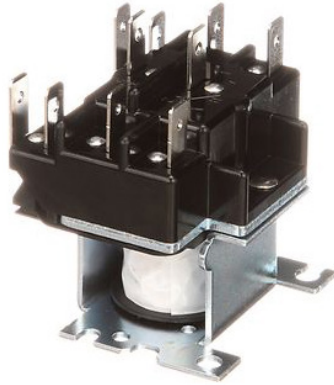
MARS NUMBER	TRANSFORMER						RELAY	CONTACT RATINGS				MODEL NUMBER	ITEM NUMBER
	PRIMARY			SECONDARY				120 VAC (AMPS)		240 VAC (AMPS)			
	VOLTAGE	HZ	CONNECTIONS	VOLTAGE	VA	CONNECTIONS		FULL LOAD	LOCKED ROTOR	FULL LOAD	LOCKED ROTOR		
24010	120	60	Color coded leads, pre-stripped	24V	40	Terminal board with 5 screw terminals	DPDT	13.8	82.8	6.9	41.4	90-112	90 112S1
24013							SPDT					90-113	90 113S1
24012							SPNO / SNPC					90-118E	90 118ES1
24010							DPDT					90-130	90 130S1



When the fan relay transformer is energized and the thermostat completes the connection from R to G the fan relay coil energizes. Line voltage power applied to contact common path travels to selected blower speed tap. Additional terminal Y and W are isolated tie point terminals to connect thermostat wiring to compressor and furnace (if required).

NOTE: Record the lead wire color with its corresponding terminal for future reference. Unused transformer input leads must be insulated.

* Black is common with respect to transformer winding, not external circuit.



90-340

90-340 THRU 90-342 RELAYS

Two pole double throw semi-enclosed relays.

FEATURES

- Easy to install
- Suited for use in vending machines, appliances, heating and air conditioning applications and general purpose switching
- 90-340 fits fan control centers 90-112, 90-113, 90-118E and 90-119

SPECIFICATIONS

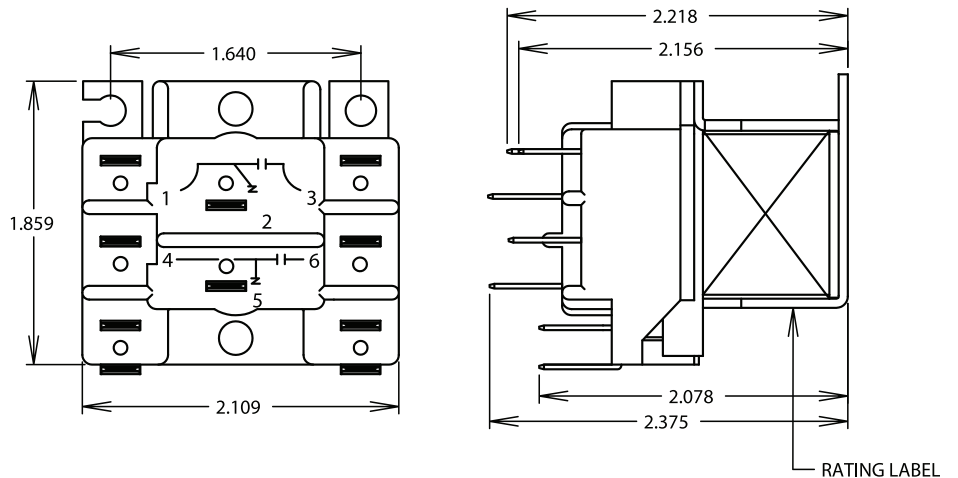
Temperature Range.....-40°F to 130°F
 Mechanical Life (no load)..... 1,000,000 operations, 120 operations/min.
 Electrical Life (rated load) 100,000 operations, 6 operations/min.
 Load test making inrush ratings (0.4 to 0.5 Power Factor)
 Breaking 100% continuous rating (0.65 to 0.8 Power Factor)
 Weight (approximate) 6 oz.
 Coils, Frequency 50 / 60 Hz
 Coils, Insulation Class B
 Coils, Termination 1/4" Quick Connect
 Coils, Operate..... 85% of nominal coil voltage; 110% maximum safe operate
 Coils, Duty Cycle.....Continuous
 UR/CUR File NumberE12139
 CSA/CUS Certificate Number.....LR13360

90-340 THRU 90-342 RELAYS - Two pole double throw (2PDT) fits fan control center receptacles

COIL VOLTAGE (50 / 60 HZ)	TERMINALS 1-2-3	TERMINALS 4-5-6	COIL DATA DC RES.	COIL DATA MA	COIL DATA NOM. VA	COIL DATA INRUSH VA	MODEL NUMBER	ITEM NUMBER
24	Power	Power	17.5	334	9.5	22	90-340	90 340S1
120	Power	Power	420	66	9.5	22	90-341	90 341S1
208 / 240	Power	Power	1600	38	9.5	22	90-342	90 342S1

CONTACT RATINGS

12FLA / 60LRA
 125 VAC
 6FLA 35LRA
 240 / 277 VAC
 15A 277 VAC RES
 1/2HP 125 / 250 VAC





8A05A-4

8A05A RELAY & TRANSFORMER COMBINATIONS

SPDT relay model enclosed with a transformer capable of powering external loads up to 35VA. Ideal for use on boilers without domestic coil. Equally adaptable for zoned and unzoned systems.

FEATURES

- Low voltage screw terminals - color coded, end stripped line voltage leads
- Internal transformer can power up to 35VA external loads
- Mounts to 4" X 4" junction box
- Dustproof steel case

SPECIFICATIONS

Transformer..... 35 VA maximum connected external load
 Finish..... Grey
 Dimensions 4.13"H X 4.13"W X 3.13"D
 UL/CUL File Number E12615
 CSA

8A05A RELAY & TRANSFORMER COMBINATION

INPUT VOLTAGE	SWITCH ACTION	THERMOSTAT CURRENT	CONTACT RATINGS MOTOR 120 VAC FULL LOAD	CONTACT RATINGS MOTOR 120 VAC LOCKED ROTOR	CONTACT RATINGS VALUES & RELAYS TERMINALS V1 & V2 30 VAC	CONTACT RATINGS VALUES & RELAYS TERMINALS V1 & V2 30 VAC 0.3-12 VDC	MODEL NUMBER	ITEM NUMBER
24 VAC, 60 Hz	SPDT	0.17	12.0A/12.0A	60.0A/60.0A	N/A	N/A	8A05A-121	8A05A-121

* Indicates Canadian Model Number: Call 1-800-305-6953 to order.



90-293Q

90-290Q THRU 90-295Q RELAYS

Used for switching single or two speed fan motors, solenoids, relays, resistive loads and general purpose switching.

FEATURES

- Compact, totally enclosed design
- For heating and cooling applications and general switching
- Quiet, reliable and economical

SPECIFICATIONS

Temperature Range -40° to 150°
 Mechanical Life (no load) 1,000,000 operations, 60 operations/min.
 Electrical Life (rated load) 100,000 operations, 6 operations/min.
Load testing making inrush rating (0.4 to 0.5 P.F.);
Breaking 100% continuous rating (0.64 to 0.8 P.F.)
 Weight 2.5 oz.
 UR/CUR File Number E12139
 CSA/CUS Certificate Number LR13360

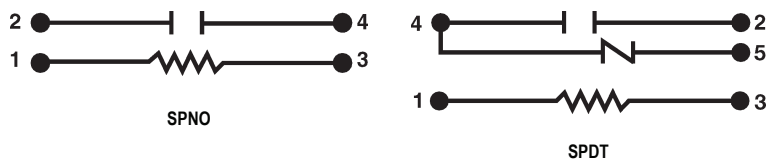
90-290Q THRU 90-295Q RELAYS

COIL VOLTAGE AC (50/60 HZ)	SWITCH ACTION	RES DC OHMS	COIL DATA NOMINAL CURRENT MA	COIL DATA NOMINAL VA SEALED	INRUSH VA	MODEL NUMBER	ITEM NUMBER
24	SPNO	90	125	3	4	90-290Q	90 290QS1
24	SPDT	90	125	3	4	90-293Q	90 293QS1
120	SPNO	2,000	25	3	4	90-291Q	90 291QS1
120	SPDT	2,000	25	3	4	90-294Q	90 294QS1
208/240	SPNO	7,000	12.5	3	4	90-292Q	90 292QS1
208/240	SPDT	7,000	12.5	3	4	90-295Q	90 295QS1

CONTACT RATING 125 | 250 VAC

INDUCTIVE	RESISTIVE	TYPE
8 Amps Continuous 25 Amps. Inrush	16	SPNO
8 Amps Continuous 25 Amps. Inrush	8	SPDT

WIRING DIAGRAMS





90-380

90-360 THRU 90-486 RELAYS

Heavy-duty general purpose relay operates in any position.

FEATURES

- Compact, totally enclosed design
- For heating and cooling applications and general switching
- Quiet, reliable and economical

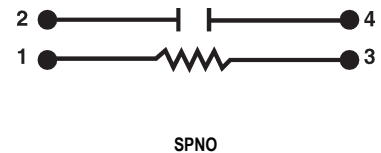
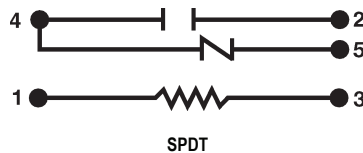
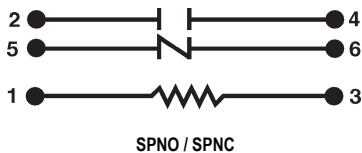
SPECIFICATIONS

Temperature Range.....-40°F to 150°F
 Mechanical Life (no load)..... 1,000,000 operations, 120 operations/min.
 Electrical Life (rated load) 100,000 operations, 6 operations/min.
Load test making inrush rating (0.4 to 0.5 P.F.)
Breaking 100% continuous rating (0.65 to 0.8 P.F.)
 Coils, Frequency 50 / 60 Hz
 Coils, Insulation Class B
 Coils, Termination 1/4" Quick Connect
 Coils, Operate..... 85% of nominal coil voltage; 110% maximum safe operate
 Coils, Duty Cycle.....Continuous
 Weight 2.3 oz.
 UR/CUR File Number E12139
 CSA/CUS Certificate Number LR13360

90-360 THRU 90-486 RELAYS

COIL VOLTAGE AC (50/60 HZ)	SWITCH ACTION	RES DC OHMS	COIL DATA NOM. CURRENT MA	COIL DATA NOMINAL VA SEALED	INRUSH VA	MODEL NUMBER	ITEM NUMBER
24	SPNO	77	125	3	4	90-360	90 360S1
24	SPDT	77	125	3	4	90-370	90 370S1
24	SPNO/SPNC	77	125	3	4	90-380	90 380S1
120	SPNO	2,000	25	3	4	90-362	90 362S1
120	SPDT	2,000	25	3	4	90-372	90 372S1
208/240	SPDT	6,050	12.5	3	4	90-374	90 374S1
208/240	SPNO/SPNC	6,050	12.5	3	4	90-384	90 384S1
277	SPNO	10,300	10.8	3	4	90-466	90 466S1
277	SPDT	10300	10.8	3	4	90-476	90 476S1
277	SPNO/SPNC	10300	10.8	3	4	90-486	90 486S1

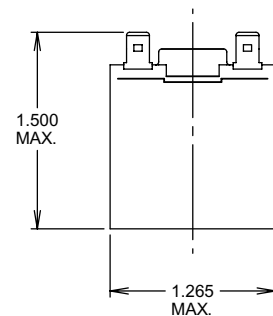
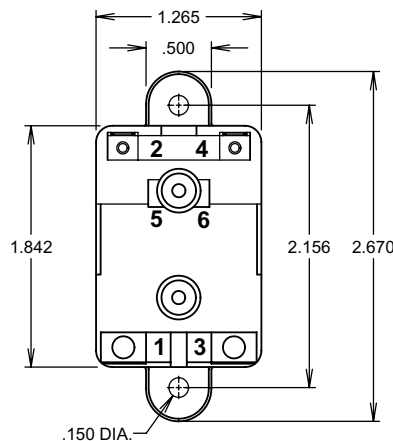
WIRING DIAGRAMS

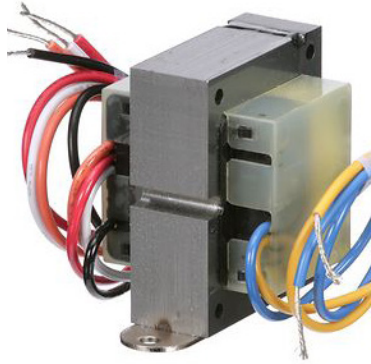


90-360 THRU 90-486 RELAYS

Contact Rating

INDUCTIVE	RESISTIVE
12 Amps. Continuous, 60 Amps. Inrush @ 125 VAC	18 Amps. Continuous @ 277 VAC
8 Amps. Continuous, 48 Amps. Inrush @ 250 VAC	





90-T40F3

90-T SERIES ENERGY LIMITING 24 VAC TRANSFORMERS

For industrial, heating and air conditioning controls applications.

FEATURES

- Color coded primary leads
- Color coded secondary leads
- Multi-mount styles available

SPECIFICATIONS

UR/CUR File Number E507466

90-T SERIES INHERENTLY LIMITED 24 VAC TRANSFORMERS - MULTI-MOUNT WITH PLATE (CLOSED CONSTRUCTION)

PRIMARY	SEC.	VA	HZ	PRIMARY / SEC. CONNECTIONS	MARS PART NO.	JARD PART NO.	MODEL NUMBER	ITEM NUMBER
120 VAC	24 VAC	40	60	Leads / Leads	50302	4011M	90-T40M1	90-T40M1
208 / 240 VAC	24 VAC	40	50/60	Leads / Leads	50303	4021M	90-T40M2	90-T40M2
120 / 208 / 240 VAC	24 VAC	40	60	Leads / Leads	50304	4031M	90-T40M3	90-T40M3

90-T SERIES NOT INHERENTLY LIMITED 24 VAC TRANSFORMERS - MULTI-MOUNT WITH PLATE (CLOSED CONSTRUCTION)

PRIMARY	SEC.	VA	HZ	PRIMARY / SEC. CONNECTIONS	MARS PART NO.	JARD PART NO.	MODEL NUMBER	ITEM NUMBER
120 / 208 / 240 VAC	24 VAC	50	60	Leads / Leads	50314	5031M	90-T50M3	90-T50M3

90-T SERIES INHERENTLY LIMITED 24 VAC TRANSFORMERS - FOOT-MOUNT (OPEN CONSTRUCTION)

PRIMARY	SEC.	VA	HZ	PRIMARY / SEC. CONNECTIONS	MARS PART NO.	JARD PART NO.	MODEL NUMBER	ITEM NUMBER
120 VAC	24 VAC	40	50/60	Leads / Leads	50352	4011F	90-T40F1	90-T40F1
208 / 240 VAC	24 VAC	40	50/60	Leads / Leads	50353	4021F	90-T40F2	90-T40F2
120 / 208 / 240 VAC	24 VAC	40	50/60	Leads / Leads	50354	4031F	90-T40F3	90-T40F3

90-T SERIES NOT INHERENTLY LIMITED 24 VAC TRANSFORMERS - FOOT-MOUNT (OPEN CONSTRUCTION)

PRIMARY	SEC.	VA	HZ	PRIMARY / SEC. CONNECTIONS	MARS PART NO.	JARD PART NO.	MODEL NUMBER	ITEM NUMBER
120 / 208 / 240 VAC	24 VAC	50	50/60	Leads / Leads	50308	5031F	90-T50F3	90-T50F3

90-T SERIES NOT INHERENTLY LIMITED 24 VAC TRANSFORMERS - FOOT-MOUNT (MANUAL RESET, OPEN CONSTRUCTION)

PRIMARY	SEC.	VA	HZ	PRIMARY / SEC. CONNECTIONS	MARS PART NO.	JARD PART NO.	MODEL NUMBER	ITEM NUMBER
120 / 208 / 240 VAC	24 VAC	50	50/60	Leads / Leads	50327	5041C	90-T50C3	90-T50C3
120 / 208 / 240 VAC	24 VAC	60	50/60	Leads / Leads	50327	6041C	90-T60C3	90-T60C3
120 / 208 / 240 VAC	24 VAC	75	50/60	Leads / Leads	50321	7541C	90-T75C3	90-T75C3
120 / 208 / 240 / 480	24 VAC	100	50/60	Leads / Leads	50540	10041C	90-T100C4	90-T100C4



S84-11

S82 & S84 ENERGY LIMITING 24 VAC TRANSFORMERS

Various standard configurations of step down transformers designed to power 24 VAC control systems

FEATURES

- Energy limiting design, unaffected by momentary short circuit
- Continued short circuit of secondary will cause primary winding to open in 1 to 2 minutes without creating a fire hazard
- Maximum ambient temperature is 150°F

SPECIFICATIONS

UR/CUR File Number E507466
 CE Approved (S84-11, S84Z-90, S84A-410)

S84 SERIES INHERENTLY LIMITED 24 VAC TRANSFORMERS - UNIVERSAL MOUNTING MODELS - Plate, Foot or Hub Mount

PRIMARY	SEC.	VA	HZ	PRIMARY / SEC. CONNECTIONS	MODEL NUMBER	ITEM NUMBER
120 VAC	24 VAC	40 VA	60	Leads / Screw Terminals	S84-11	S84 011S1
120 / 208 / 240 VAC	24 VAC	40 VA	60	Leads / Screw terminals	S84Z-90	S84Z090S1

S84 SERIES INHERENTLY LIMITED 24 VAC TRANSFORMERS - Plate Mounted

PRIMARY	SEC.	VA	HZ	TERMINATIONS LINE	MODEL NUMBER	ITEM NUMBER
120 VAC	24 VAC	40 VA	60	Leads / Screw Terminals	S84A-410	S84A410S1

S82 SERIES INHERENTLY LIMITED 24 VAC TRANSFORMERS - HUB MOUNT - Class 2 Not Wet / Class 3 Wet (C.S.A. Certified and U.L. Listed E1 1592)

PRIMARY	SEC.	VA	HZ	PRIMARY / SEC. CONNECTIONS	MODEL NUMBER	ITEM NUMBER
120 VAC	25 VAC	20 VA	—	Leads / Screw - Spade Terminals	S82A-310	S82A310S1



S84 SERIES INHERENTLY LIMITED 24 VAC TRANSFORMERS - UNIVERSAL MOUNTED TYPE - Plate, Foot Or Hub Mount, Class 2 Not Wet / Class 3 Wet (C.S.A. Certified and U.L. Listed)

PRIMARY	SEC.	VA	HZ	PRIMARY / SEC. CONNECTIONS	MODEL NUMBER	ITEM NUMBER
120 VAC	25 VAC	40 VA	60	Leads / Screw - Spade Terminals	S84A-310	S84A310S1



* Indicates Canadian Model Number: Call 1-800-305-6953 to order.



70-111224

TYPE 70 SERIES D.C. POWER SOLENOIDS

Single pole normally open contact, case is dust resistant and isolated from ground.

FEATURES

- DC Power Solenoid designed to be utilized in multiple applications
- Dust resistant case
- Case is isolated from ground
- SPNO contacts
- Versatile mounting and termination

SPECIFICATIONS

Dimensions 2.40"H X 3.48"W X 2.47"D
 Weight 14 oz.
 Temperature Range -40° to +122°F
 Terminations, Contacts 5/16"-24 UNF-2A thread
 Terminations, Coil #10-32 UNF-2A thread
 Recommended Mounting..... Plunger vertical with cap down
 Hardware Torque, Contact Terminal 45-55 in. lbs.
 Hardware Torque, Coil Terminal..... 12-18 in. lbs.
 UL File Number..... AU2138

WARNING – FIRE HAZARD

Must be installed in a dry and protected place. Failure to protect solenoid from water and other contaminants could result in fire, property damage, Serious personal injury, or death.

TYPE 70 SERIES D.C. POWER SOLENOIDS

DUTY CYCLE	TERMINAL TYPE	BRACKET STYLE	COIL VOLTAGE D.C.	COIL RESISTANCE IN OHMS @ 25°C	CONTACT MATERIAL	CONTACT RATING (AMPS) – INDUCTIVE LOAD NORMALLY OPEN CONTINUOUS	CONTACT RATING (AMPS) – INDUCTIVE LOAD NORMALLY OPEN INRUSH	MODEL NUMBER	ITEM NUMBER
Continuous	3A (Coil Grounded to Case, SPNO)	Standard	12	16	Copper	80	150	70-111225	70 111225S1
Continuous	4 (Isolated Coil, SPNO)	Standard	12	16	Copper	80	150	70-111224	70 111224S1
Continuous	4 (Isolated Coil, SPNO)	Standard	24	60	Copper	50	50	70-117224	70 117224S1
Continuous	4 (Isolated Coil, SPNO)	Standard	36	114	Copper	50	50	70-120224	70 120224S1



120 105711S1

TYPE 120 SERIES D.C. POWER SOLENOIDS

Single pole normally open contact, dust resistant, water resistant and case is isolated from bracket.

FEATURES

- Water resistant
- Capable of handling low and high current requirements
- Versatile mounting and termination

SPECIFICATIONS

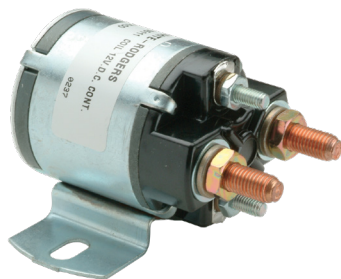
Dimensions 3.09"H X 2.88"W X 2.13"D
 Dimensions 3.03"H X 3.00"W X 2.50"D L-Shaped Bracket)
 Weight 6.0 oz.
 Temperature Range, Intermittent Duty -20° to +150°F
 Temperature Range, Continuous Duty -20° to +120°F
 Terminations, Contacts 5/16"-24 studs, .495" min. length
 Terminations, Coil #10-32, .451” min. length
 Recommended Mounting Coil terminals up or horizontal
 Hardware Torque, Contact Terminal 45-55 in. lbs.
 Hardware Torque, Coil Terminal 12-18 in. lbs.
 UR File Number AU2138

WARNING

Must be used in coil selection for use in 12 volt systems where battery charging may expose coil to continuous, higher-than-rated voltage. 14 volt coils are recommended. White-Rodgers will not be responsible for consequences of misapplied solenoids.

TYPE 120 SERIES D.C. POWER SOLENOIDS

DUTY CYCLE	TERMINAL TYPE	BRACKET STYLE	COIL VOLTAGE D.C.	COIL RESISTANCE IN OHMS @ 25°C	CONTACT MATERIAL	CONTACT RATING (AMPS) – INDUCTIVE LOAD NORMALLY OPEN CONTINUOUS	CONTACT RATING (AMPS) – INDUCTIVE LOAD NORMALLY OPEN INRUSH	MODEL NUMBER	ITEM NUMBER
Continuous	4 (Isolated Coil, SPNO)	Standard	12	16	Silver Alloy	100	400	120-105711	120 105711S1
Continuous	3A	Standard	12	6	Silver Alloy	100	400	120-105851	120 105851S1
Intermittent (30 seconds "ON" maximum and 6 minutes "OFF")	4 (Isolated Coil, SPNO)	Standard	12	6	Copper	80	400	120-106131	120 106131S1
Intermittent (30 seconds "ON" maximum and 6 minutes "OFF")	4 (Isolated Coil, SPNO)	L	12	6	Copper	80	400	120-106132	120 106132S1
Continuous	4 (Isolated Coil, SPNO)	L	14	26	Silver Alloy	100	400	120-107112	120 107112S1



124-105111

TYPE 124 SERIES D.C. POWER SOLENOIDS

Single pole normally open, or single pole double throw contacts. Dust resistant and endcaps are isolated from bracket.

FEATURES

- Double-make or double-break contacts
- Steel enclosure
- Offers high and low current capabilities
- Isolated or grounded coils

SPECIFICATIONS

Dimensions: 124-105111, -114111, -117111 2.19"H X 3.13"W X 3.56"D
 Dimensions: 124-305111, -314111, 317111 2.19"H X 3.13"W X 4.69"D
 Weight: 124-105111, -114111, -117111 16.0 oz.
 Weight: 124-305111, -314111, 317111 19.0 oz.
 Temperature Range -40° to +149°F
 Terminations, Contacts 5/16"-24 UNF-2A thread
 Terminations, Coil #10-32 UNF-2A thread
 Recommended Mounting..... Vertical plane with coil terminals up
 Hardware Torque, Contact Terminal 60 in. lbs. max.
 Hardware Torque, Coil Terminal..... 12-18 in. lbs.

TYPE 124 SERIES D.C. POWER SOLENOIDS

DUTY CYCLE	TERMINAL TYPE	BRACKET STYLE	COIL VOLTAGE D.C.	COIL RESISTANCE IN OHMS @ 25°C	CONTACT MATERIAL	CONTACT RATING (AMPS) – INDUCTIVE LOAD NORMALLY OPEN CONTINUOUS	CONTACT RATING (AMPS) – INDUCTIVE LOAD NORMALLY OPEN INRUSH	CONTACT RATING (AMPS) – INDUCTIVE LOAD NORMALLY CLOSED CONTINUOUS	CONTACT RATING (AMPS) – INDUCTIVE LOAD NORMALLY CLOSED INRUSH	MODEL NUMBER	ITEM NUMBER
Continuous	4 (Isolated Coil, SPNO)	Standard	12	13.2	Silver Alloy	100	400	—	—	124-105111	124 105111S1
Continuous	6 (Isolated Coil, SPDT)	Standard	12	13.2	Silver Alloy	100	400	50	200	124-305111	124 305111S1
Continuous	4 (Isolated Coil, SPNO)	Standard	24	53.0	Silver Alloy	100	400	—	—	124-114111	124 114111S1
Continuous	6 (Isolated Coil, SPDT)	Standard	24	53.0	Silver Alloy	100	400	50	100	124-314111	124 314111S1
Continuous	4 (Isolated Coil, SPNO)	Standard	36	120.0	Silver Alloy	100	400	—	—	124-117111	124 117111S1
Continuous	6 (Isolated Coil, SPDT)	Standard	36	120.0	Silver Alloy	100	400	50	100	124-317111	124 317111S1



586-120111

TYPE 586 SERIES D.C. POWER SOLENOIDS

Single pole normally open, or single pole double throw contacts. Water resistant and case is isolated from bracket.

FEATURES

- Single pole normally open contacts
- DC power solenoid designed to be utilized in multiple applications
- Versatile mounting and termination
- Water & dust resistant case design

SPECIFICATIONS

Dimensions, 586-105111, -106111, -114111, -117111, -120111 2.90"H X 3.30"W X 3.69"D
 Dimensions, 586-314111, -317111 2.90"H X 3.30"W X 4.61"D
 Weight, 586-105111, -106111, -114111, -117111, -120111 24.0 oz.
 Weight, 586-314111, -317111 26.0 oz.
 Temperature Range..... -40° to +149°F
 Terminations, Contacts 5/16"-24 UNF-2A thread
 Terminations, Coil #10-32 UNF-2A thread
 Recommended Mounting..... Vertical plane with coil terminals up
 Hardware Torque, Contact Terminal 60 in. lbs. max.
 Hardware Torque, Coil Terminal..... 12-18 in. lbs.
 UR File Number AU2138

WARNING

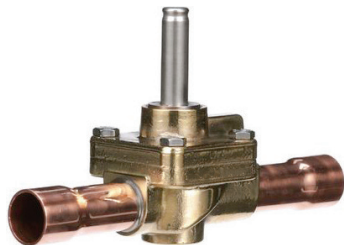
Must be used in coil selection for use in 12 volt systems where battery charging may expose coil to continuous, higher-than-rated voltage. 15 volt coils are recommended. White-Rodgers will not be responsible for consequences of misapplied solenoids.

TYPE 586 SERIES D.C. POWER SOLENOIDS

DUTY CYCLE	TERMINAL TYPE	BRACKET STYLE	COIL VOLTAGE D.C.	COIL RESISTANCE IN OHMS @ 25°C	CONTACT MATERIAL	CONTACT RATING (AMPS) – INDUCTIVE LOAD NORMALLY OPEN CONTINUOUS	CONTACT RATING (AMPS) – INDUCTIVE LOAD NORMALLY OPEN INRUSH	CONTACT RATING (AMPS) – INDUCTIVE LOAD NORMALLY CLOSED CONTINUOUS	CONTACT RATING (AMPS) – INDUCTIVE LOAD NORMALLY CLOSED INRUSH	MODEL NUMBER	ITEM NUMBER
Continuous	4 (Isolated Coil, SPNO)	Standard	12	21.0	Silver Alloy	200	600	—	—	586-105111	586 105111S1
Continuous	4 (Isolated Coil, SPNO)	Standard	15	32.8	Silver Alloy	200	600	—	—	586-108111 ¹	586 108111S1
Continuous	4 (Isolated Coil, SPNO)	Standard	24	84.0	Silver Alloy	200	600	—	—	586-114111	586 114111S1
Continuous	4 (Isolated Coil, SPNO)	Standard	36	189.0	Silver Alloy	200	600	—	—	586-117111	586 117111S1
Continuous	4 (Isolated Coil, SPNO)	Standard	48	336.0	Silver Alloy	200	600	—	—	586-120111	586 120111S1
Continuous	6 (Isolated Coil, SPDT)	Standard	24	53.0	Silver Alloy	200	600	100	200	586-314111	586 314111S1
Continuous	6 (Isolated Coil, SPDT)	Standard	36	120	Silver Alloy	200	600	100	200	586-317111	586 317111S1

Inrush Current: Current applied within the first 1/2 second of contact closure

¹ Ideal for 12V charging systems



250RA 12T9VLC-01

250RA SERIES REFRIGERANT SOLENOID VALVES

The 250RA is a 2-way, normally closed diaphragm valve used for liquid, suction, and hot gas service. It is applied in various commercial air-conditioning and refrigeration systems.

FEATURES

- Single coil family fits all sizes
- Can be brazed into the line without disassembly
- Compatible with all common A1 and A2L class refrigerants
- PTFE upgraded diaphragm design for high temperature and pressure applications
- Extended ends for easy installation (standard)
- Mounting stud models can be field converted to manual stem

SPECIFICATIONS

Maximum Fluid Temperature..... A1: 250° F (121° C)
A2L: 221° F (105° C)
 Maximum Working Pressure..... 680 psig (47 bar)
 Maximum Operating Pressure Differential 300 psig (21 bar)
 UL/CUL File Number MP604

MODEL NUMBER NOMENCLATURE - Example: 250RA 12T9VLC-01

VALVE SERIES	DESIGN SERIES	PORT SIZE	CONNECTION TYPE	CONNECTION SIZE	VALVE CONFIGURATION	*COIL	SEQUENTIAL IDENTIFIER	CUSTOMER SPECIAL	PACK TYPE
250R	A	12	T	9	M	VLC			
Normally Closed Solenoid Valves with increased MWP	Diaphragm Design	In 1/16"	T = ODF Extended End	In 1/8"	M = Manual Opening Stem T = Mounting Stud (Omit for Standard)	VLC = Valve Less Coil For Valves with Coil See Coil Nomenclature on Coil Catalog Page	-01 Thru -99	G = Customer Special (Omit for Standard)	B1 = Bulk Pack (Omit for Individual Pack)

* Valves in catalog are shipped without solenoid coils (VLC = Valve Less Coil). See Coil pages for coil selection and a complete list of voltage options.

250RA SERIES REFRIGERANT SOLENOID VALVES

VALVE CONFIG.	PORT SIZE (IN)	CONN. SIZE & TYPE	NOMINAL LIQUID CAPACITY - TONS (KW)											MODEL NUMBER	ITEM NUMBER
			R134a	R22	R32	R404A / R507	R407A	R407C	R410A	R448A / R449A	R450A / R513A	R-454A	R454B / R452B		
Standard Valve	1/2	5/8 ODF	12.1 (42.6)	15.6 (54.9)	21.2 (74.6)	10.3 (36.2)	11.0 (38.8)	14.8 (52.1)	14.6 (51.2)	15.7 (55.1)	10.8 (37.8)	14.5 (51.0)	14.1 (49.6)	250RA 8T5VLC-01	1838403
Mounting Stud		5/8 ODF												250RA 8T5TVLC-01	1838391
Manual Opening Stem		5/8 ODF												250RA 8T5MVLC-01	1840052
Manual Opening Stem		7/8 ODF												250RA 8T7MVLC-01	1840061
Standard Valve	9/16	7/8 ODF	21.0 (74.0)	30.5 (107.3)	41.5 (145.9)	20.1 (70.7)	21.6 (75.9)	29.0 (102.0)	28.5 (100.2)	30.6 (107.7)	21.0 (74.0)	28.3 (99.6)	27.6 (97.0)	250RA 9T7VLC-01	1838420
Mounting Stud		7/8 ODF												250RA 9T7TVLC-01	1838411
Manual Opening Stem		5/8 ODF												250RA 9T5MVLC-01	1840079
Manual Opening Stem		7/8 ODF												250RA 9T7MVLC-01	1840087
Standard Valve	3/4	1-1/8 ODF	27.1 (95.3)	34.9 (122.7)	47.5 (166.9)	23.0 (80.9)	24.7 (86.9)	33.2 (116.8)	32.6 (114.6)	29.0 (102.0)	24.1 (84.6)	32.4 (114.0)	31.5 (111.0)	250RA 12T9VLC-01	1838340
Mounting Stud		1-1/8 ODF												250RA 12T9TVLC-01	1838331
Manual Opening Stem		7/8 ODF												250RA 12T7MVLC-01	1839991
Manual Opening Stem		1-1/8 ODF												250RA 12T9MVLC-01	1840001
Standard Valve	1	1-3/8 ODF	45.0 (158.3)	58.0 (203.9)	78.9 (277.4)	38.3 (134.7)	41.1 (144.4)	55.2 (194.1)	54.2 (190.5)	58.2 (204.8)	40.0 (140.6)	53.9 (189.4)	52.4 (184.4)	250RA 16T11VLC-01	1838366
Mounting Stud		1-3/8 ODF												250RA 16T11TVLC-01	1838358
Manual Opening Stem		1-1/8 ODF												250RA 16T9MVLC-01	1840028
Manual Opening Stem		1-3/8 ODF												250RA 16T11MVLC-01	1840010
Standard Valve	1-1/4	1-5/8 ODF	70.9 (249.4)	95.4 (335.5)	129.7 (456.3)	65.7 (231.1)	67.5 (237.5)	90.8 (319.3)	89.1 (313.4)	95.8 (336.8)	65.8 (231.3)	88.6 (311.6)	86.2 (303.3)	250RA 20T13VLC-01	1838382
Mounting Stud		1-5/8 ODF												250RA 20T13TVLC-01	1838374
Manual Opening Stem		1-3/8 ODF												250RA 20T11MVLC-01	1840036
Manual Opening Stem		1-5/8 ODF												250RA 20T13MVLC-01	1840044

Capacities based on 100°F liquid and 40°F saturated evaporator per AHRI standard 760. All ratings are based on largest connection size.

EXPLODED VIEW & PARTS KIT DATA

250RA SERIES PART KITS

DESCRIPTION	MODEL NUMBER	ITEM NUMBER
Repair Kits		
250RA 8 Solenoid Valve Repair Kit (K)	KS-30401	1838462
250RA 9 Solenoid Valve Repair Kit (K)	KS-30402	1838471
250RA 12 Solenoid Valve Repair Kit (K)	KS-30403	1838489
250RA 16 Solenoid Valve Repair Kit (K)	KS-30404	1838497
240RA, 250RA 20 Solenoid Valve Complete Kit (K)	KS-30325	060630
Manual Opener Kits		
240RA, 250RA 8 Solenoid Valve Manual Opener Kit (M)	KS-30066	044657
240RA, 250RA 9 and 12 Solenoid Valve Manual Opener Kit (M)	KS-30067	044658
240RA, 250RA 16 Solenoid Valve Manual Opener Kit (M)	KS-30068	044491
240RA, 250RA 20 Solenoid Valve Manual Opener Kit (M)	KS-30098	047723
Gasket Kits		
240RA, 250RA, 540RA Gasket Kit (G)	KG-10028	054356
Tool Kits		
Magnetic Solenoid Tool opens a normally closed solenoid valve in the de-energized state and provides an orifice to manually adjust opening stem.	SOLENOID TOOL	066019

VALVE REPAIR KIT

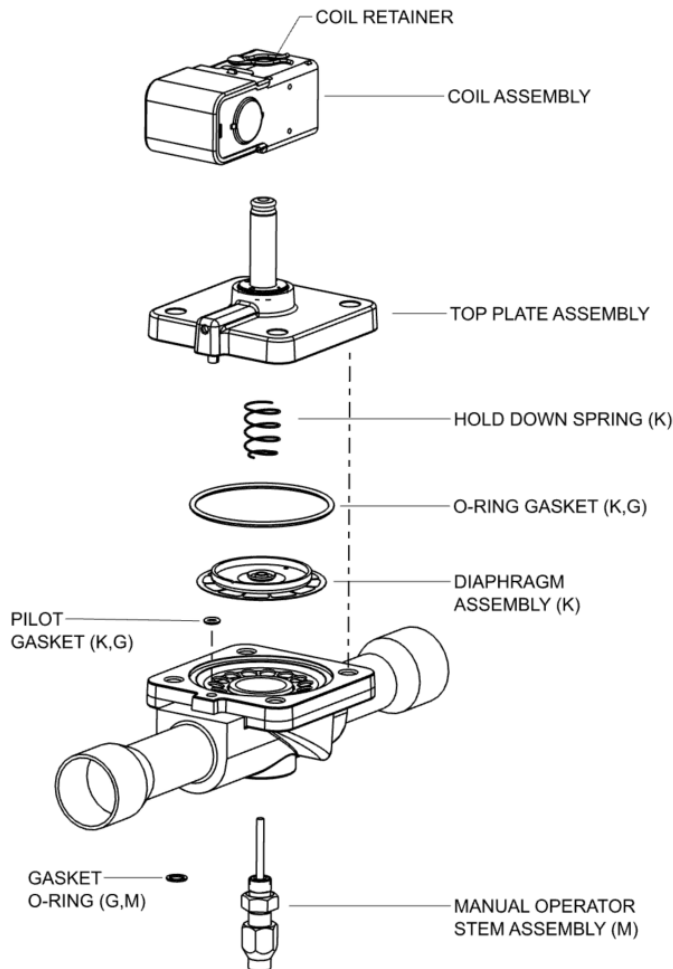
(K) indicates part is supplied in valve repair kit.

MANUAL STEM KIT

(M) indicates part is supplied in manual stem kit

GASKET KIT

(G) indicates gasket is supplied in gasket kit.



Extended capacity tables



EXPLODED VIEW & PARTS KIT DATA

240RA SERIES PART KITS

DESCRIPTION	MODEL NUMBER	ITEM NUMBER
Complete Kits		
200RA 8 Solenoid Valve Complete Kit (K)	KS-30321	060626
200RA 9 Solenoid Valve Complete Kit (K)	KS-30322	060627
240RA 12 Solenoid Valve Complete Kit (K)	KS-30323	060628
240RA 16 Solenoid Valve Complete Kit (K)	KS-30324	060629
240RA 20 Solenoid Valve Complete Kit (K)	KS-30325	060630
Manual Opener Kits		
240RA 8 Solenoid Valve Manual Opener Kit (M)	KS-30066	044657
240RA 9 and 240RA 12 Solenoid Valve Manual Opener Kit (M)	KS-30067	044658
240RA 16 Solenoid Valve Manual Opener Kit (M)	KS-30068	044491
240RA 20 Solenoid Valve Manual Opener Kit (M)	KS-30098	047723
Gasket Kits		
240RA and 540RA Gasket Kit (G)	KG-10028	054356
Tool Kits		
100RB, 240RA and 540RA Solenoid Valve Universal (2/3 hole) Spanner Wrench (Included in complete valve kit)	X-11981-1	027451
Magnetic Solenoid Tool opens a normally closed solenoid valve in the de-energized state, incorporates a spanner wrench for easy disassembly of solenoid valve series 100RB, 200RB, 240RA, and provides an orifice to manually adjust opening stem.	SOLENOID TOOL	066019

VALVE REPAIR KIT

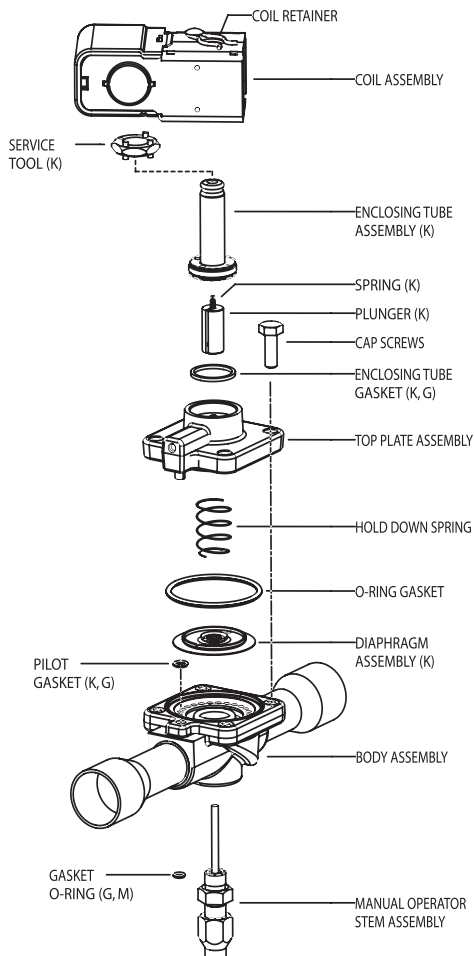
(K) indicates part is supplied in valve repair kit.

MANUAL STEM KIT

(M) indicates part is supplied in manual stem kit

GASKET KIT

(G) indicates gasket is supplied in gasket kit.



COOLING CONTROLS

**BEST
IN CLASS
BY THE
NUMBERS**

EK FILTER DRIERS

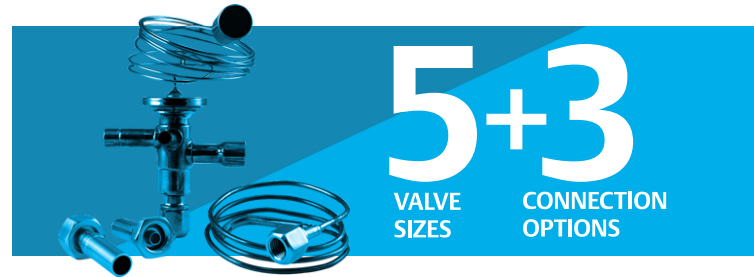
BEST PROTECTION AGAINST MOISTURE & DEBRIS



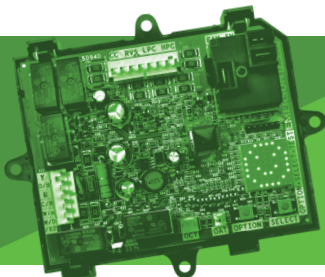
20
MICRON FILTRATION

TXV CONNECT KITS

BEST PERFORMANCE ON THE MARKET



5+3
VALVE SIZES
CONNECTION OPTIONS



REPLACES OVER
400
MODELS

HEAT PUMP DEFROST CONTROL
BEST VERSATILITY WITH THE INDUSTRY'S
FIRST UNIVERSAL OPTION



5x
LONGER CONTACTOR LIFE

SURESWITCH™
BEST SOLUTION WITH THE ONLY
COMPLETELY SEALED OPTION

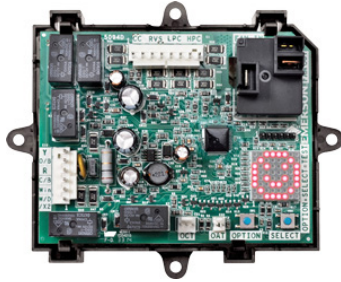


THE WHITE-RODGERS MOBILE APP:

Answers at your fingertips, with your smartphone or tablet.

- ✓ Latest cross reference
- ✓ Installation instructions
- ✓ Spec sheets
- ✓ Product selection





47D01U-843

UNIVERSAL HEAT PUMP DEFROST CONTROL

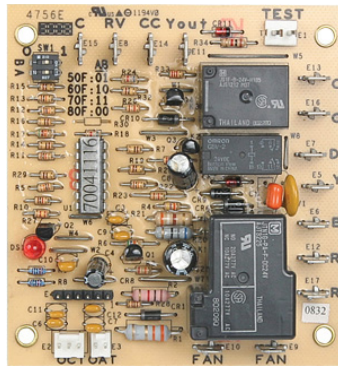
Universal upgrade for single stage heat pump systems with a PSC fan motor.

FEATURES

- Universal replacement for over 400 single stage part numbers
- Selectable demand or timed defrost modes
- Reversing valve can be energized in heat or cool (O/B)
- One-button configuration to any OEM system
- Integrated outdoor thermostat eliminates need for additional components
- Includes outdoor sensors
- Test mode to verify installation and trouble shoot
- Access setup and diagnostic menus from any orientation
- Brownout and short-cycle protection plus hi/low pressure inputs

HEAT PUMP DEFROST CONTROL

REPLACEMENT TYPE	STAGES	DESCRIPTION	INPUT VOLTAGE	LINE VOLTAGE	OUTDOOR CONDENSER FAN MOTOR	MOUNTING	OPERATING TEMPERATURE RANGE	DIMENSIONS	MODEL NUMBER	ITEM NUMBER
Universal	Single	Defrost Control	24 VAC, 50/60Hz	208/240 VAC	PSC	Tray	-40 to 150°F (-40 to 65°C)	1.75"H X 4.72"W X 5.75"D	47D01U-843	47D01U-843



47D40-801

A/C, HEAT PUMP AND DEMAND DEFROST CONTROLS

Direct OEM replacements for AC/heat pump and demand defrost controls.

FEATURES

- Direct drop-in replacements for Goodman and Rheem brands.

A/C & DEMAND DEFROST CONTROLS

DIRECT OEM REPLACEMENT	STAGES	DESCRIPTION	INPUT VOLTAGE	LINE VOLTAGE	OUTDOOR CONDENSER FAN MOTOR	MOUNTING	OPERATING TEMPERATURE RANGE	DIMENSIONS	MODEL NUMBER	ITEM NUMBER
Goodman	Two-Stage	AC or Heat Pump Control	24 VAC, 60Hz	240 VAC	PSC or ECM	Standoff	-40 to 175°F (-40 to 80°C)	3.69"H X 11.56"W X 6.86"D	49S25-707	49S25-707
Rheem	Single	Demand Defrost Control	24 VAC, 50 / 60Hz	208/240 VAC	PSC	Metal Standoff	-40 to 150°F (-40 to 65°C)	1.24"H X 3.38"W X 3.63"D	47D40-801	47D40-801
Rheem	Single	Demand Defrost Control	24 VAC, 50 / 60Hz	208/240 VAC	PSC or ECM	Plastic Standoff	-40 to 150°F (-40 to 65°C)	5.51"H X 3.50"W X 1.13"D	47D43-811	47D43-811



49M11-843

SURESWITCH™ MULTI-VOLT UNIVERSAL CONTACTOR

Universal electronic upgrade for mechanical compressor contactors with 5x contactor life and completely sealed to keep out ants and debris.

FEATURES

- Multi-volt coil replaces all common coil voltages
- 5x traditional contactor life
- Totally sealed switch keeps out ants, pests and debris
- Microprocessor control inhibits arcing that cause welding and pitting
- Line voltage brownout protection and short cycle timer provide compressor protection
- Heavy-duty lug connectors
- Zero chatter latching relay
- Tri-color LED displays
- 5-year limited warranty
- Four-hole mounting matches mechanical contactors
- Compressor test and cycle count by pushbutton

SPECIFICATIONS

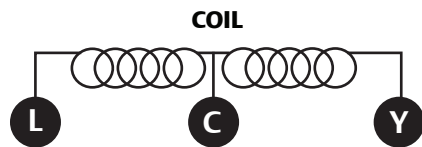
Line Voltage Input	120/208/240 VAC, 50/60 Hz
Control (Coil) Voltage	(Y-C) 24 VAC, 50/60 Hz
..... (Line-C) 120/208/240VAC, 50/60 Hz	
Full Load Amperes	40A
Locked Rotor Amperes	200A
Anti-Short-Cycle Delay.....	0s or 180s (selectable) at 60 Hz, 0s or 216s (selectable) at 50 Hz
Compressor Test	5s at 60 Hz, 6s at 50 Hz
Operating Temperature Range	-40° to 158°F (-40 to 70°C)
Coil Terminals.....	1/4" male QC's accepting #12-24 AWG wire
Dimensions	2.75"W X 2.38"H X 3.88"L
UL Recognized to.....	UL60730-1

SURESWITCH™ MULTI-VOLT CONTACTOR

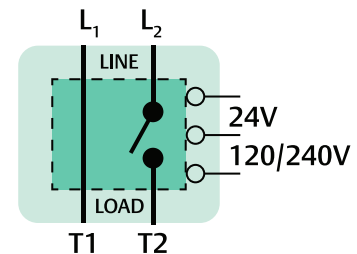
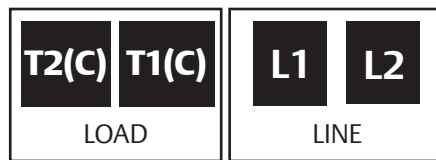
COIL	LINE VOLTAGE INPUT	AMP RATING	POLES*	MODEL NUMBER	ITEM NUMBER
24/120/208/240 VAC	120/208/240 Vac	40 FLA, 200 LRA	1 or 1.5	49M11-843	49M11-843

* 2 pole applications if local electrical codes are met

TERMINAL DESIGNATIONS:



LUGS



COIL DETAILS:

For voltage over 100 VAC: Connect line level control voltage to "Line", connect neutral or opposite leg to "Common."

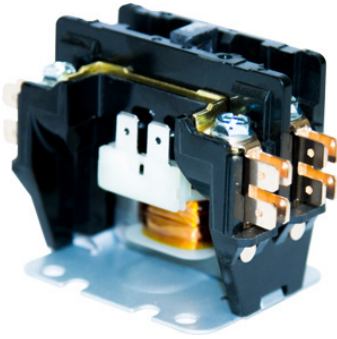
For class 2 24VAC: Connect 24V control voltage to "Y", connect 24V ground to "Common."

1/4" QUICK CONNECT FOR ACCESSORIES

- Hard Start
- Crank case heater
- Capacitor
- Fan Common

LED FLASH CODES

Slow Green	Standby
Solid Green	Normal
Fast Green	Delay
Green/Red	Low Line Voltage
Green/Yellow/Red	Test



94-388

94 SERIES 1.5 POLE MECHANICAL CONTACTORS

Straight-through wiring, replaces 1-1/2 pole devices used primarily in residential central air conditioning.

FEATURES

- Replaces many contactors used by OEM's
- Universal style mounting bracket fits existing mounting holes
- Screw terminals and 1/4" quick connect terminals for easy installation

SPECIFICATIONS

Approximate Overall Dimensions 2.50"H X 2.00"W X 3.38"D
 Temperature Range.....-40°F to 150°F
 Mechanical / Electrical Life..... Conforms to UL and ARI specifications
 Coil Voltage / Frequency / Insulation24, 120 VAC / 50-60 Hz / Class B (130°C)
 Termination.....Screw and Double 1/4" Q.C.
 Operate..... 85% - 110% of nominal coil voltage
 Duty Cycle.....Continuous
 Weight (approximate) 7 oz.
 UR/CUR File Number E310181
 CE Approved

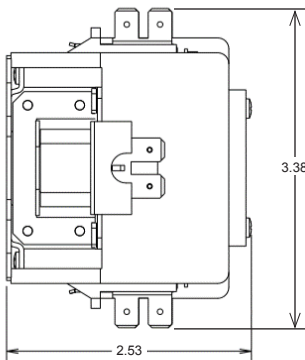
94 SERIES 1.5 POLE MECHANICAL CONTACTORS - COIL DATA

MODEL	RES DC OHMS	CURRENT MA	NOMINAL VA	MAX. INRUSH VA	MODEL NUMBER	ITEM NUMBER
30 AMP	19.5	208	5	28	94-388	94 388S1
40 AMP	19.5	208	5	28	94-394	94 394S1
30 AMP	505	42	5	28	94-389	94 389S1
40 AMP	505	42	5	28	94-395	94 395S1

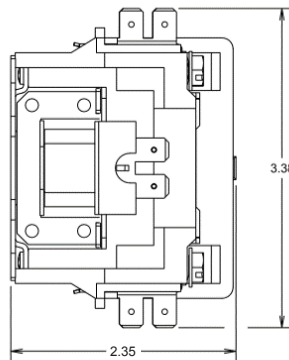
* 30 amp models have no cover on top as in line drawing below
 ** 40 amp models have cover on top as in picture above

94 SERIES 1.5 POLE MECHANICAL CONTACTORS - COIL DATA

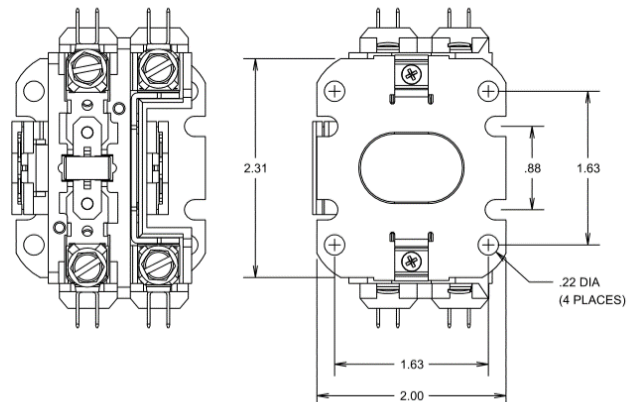
VOLTAGE AC	FLA	LRA	RES	MODEL NUMBER
240/277	30	180	40	94-388 thru 94-389
480	30	125	40	94-388 thru 94-389
600	30	100	40	94-388 thru 94-389
240/277	40	240	50	94-394 thru 94-395
480	40	200	50	94-394 thru 94-395
600	40	160	50	94-394 thru 94-395

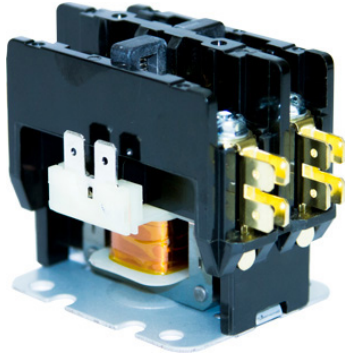


40 AMP MODEL (WITH COVER)



30 AMP MODEL (NO COVER)





94-244

90 SERIES 2 POLE MECHANICAL CONTACTORS

Designed for air conditioning and heating equipment.

FEATURES

- Low VA coil for cooler operation and increased life
- Quiet operation
- Universal style mounting bracket fits existing mounting holes
- Double break contacts ensure positive make and break
- Screw terminals or lugs and quad 1/4" quick connects provided on all models for easy installation

SPECIFICATIONS

Approximate Overall Dimensions 2.50"H X 2.00"W X 3.38"D
 Temperature Range.....-40°F to 150°F
 Mechanical / Electrical Life.....Conforms to UL and ARI specifications
 Coil Voltage / Frequency / Insulation.....24, 120, 208, 240 VAC / 50-60 Hz / Class B (130°C)
 Termination.....Screw terminals or lugs and double 1/4" Q.C.
 Operate..... 85% - 110% of nominal coil voltage
 Duty Cycle.....Continuous
 Weight (approximate) 9.5 oz.
 UR/CUR File Number E310181
 CE Approved

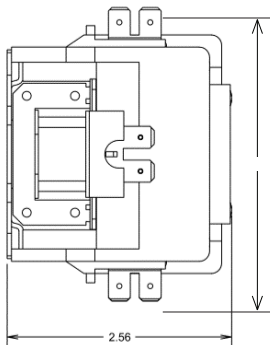
90 SERIES 2 POLE MECHANICAL CONTACTORS - COIL DATA

VOLTAGE AC	MODEL	RES DC OHMS	CURRENT MA	NOMINAL VA	MAX. INRUSH VA	MODEL NUMBER	ITEM NUMBER
24	30 AMP	11.5	270	6.5	30	90-244	90 244S1
24	40 AMP	11.5	270	6.5	30	90-247	90 247S1
120	30 AMP	295	54	6.5	30	90-245	90 245S1
120	40 AMP	295	54	6.5	30	90-248	90 248S1
208 / 240	30 AMP	995	27	6.5	30	90-246	90 246S1
208 / 240	40 AMP	995	27	6.5	30	90-249	90 249S1

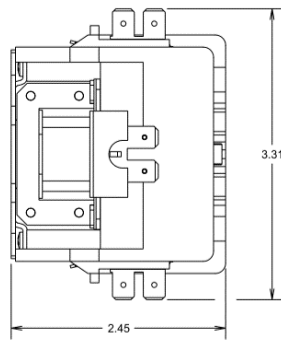
* 30 amp models have no cover on top
 ** 40 amp models have cover on top

90 SERIES 2 POLE MECHANICAL CONTACTORS - CONTACT RATINGS

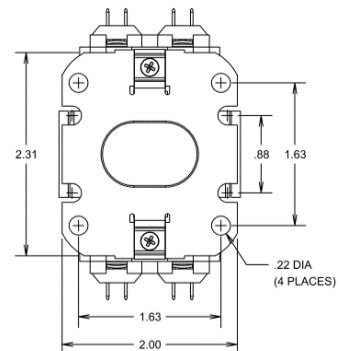
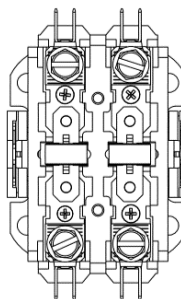
VOLTAGE AC	FLA	LRA	RES	MODEL NUMBER
240 / 277	30	180	40	90-244 thru 90-246
480	30	125	40	90-244 thru 90-246
600	30	100	40	90-244 thru 90-246
240 / 277	40	240	50	90-247 thru 90-249
480	40	200	50	90-247 thru 90-249
600	40	160	50	90-247 thru 90-249



40 AMP MODEL (WITH COVER)



30 AMP MODEL (NO COVER)





90-163

90 SERIES 3 POLE MECHANICAL CONTACTORS

Designed for air conditioning and heating equipment.

FEATURES

- Any position mounting
- Interchangeable mounting plate
- Low wattage coil
- Double break contacts ensure positive make and break

SPECIFICATIONS

Approximate Overall Dimensions 3.00"H X 2.38"W X 3.75"D
 Temperature Range.....-40°F to 150°F
 Mechanical / Electrical Life..... Conforms to UL and ARI specifications
 Coil Voltage / Frequency / Insulation..... 24, 120, 208, 240 VAC / 50-60 Hz / Class B (130°C)
 Termination.....Screw terminals or lugs and double 1/4" Q.C.
 Operate..... 85% - 110% of nominal coil voltage
 Duty Cycle.....Continuous
 Weight (approximate) 16 oz.
 UR/CUR File Number E310181
 CE Approved

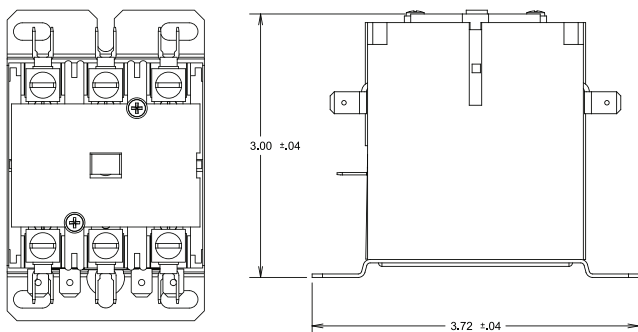
90 SERIES 3 POLE MECHANICAL CONTACTORS - COIL DATA

VOLTAGE AC	MODEL	RES DC OHMS	CURRENT MA	NOMINAL VA	MAX. INRUSH VA	MODEL NUMBER	ITEM NUMBER
24	30 AMP	7.0	208	5.0	60	90-163	90 163S1
24	40 AMP	7.0	208	5.0	60	90-170	90 170S1
120	30 AMP	175	42	5.0	60	90-164	90 164S1
120	40 AMP	175	42	5.0	60	90-171	90 171S1
208 / 240	30 AMP	665	21	5.0	60	90-165	90 165S1
208 / 240	40 AMP	665	21	5.0	60	90-172	90 172S1

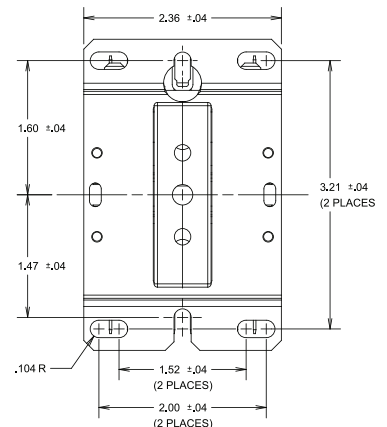
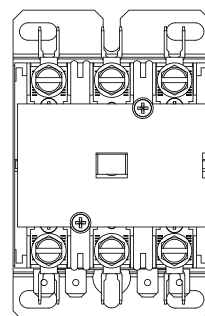
90 SERIES 2 POLE MECHANICAL CONTACTORS - CONTACT RATINGS

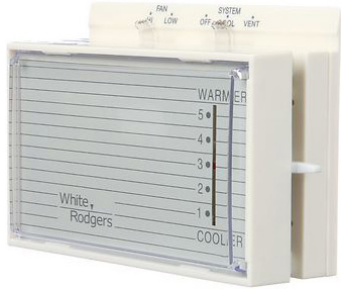
VOLTAGE AC	FLA	LRA	RES	TYPE
240 / 277	30	180	40	90-163 thru 90-165
480	30	150	40	90-163 thru 90-165
600	30	120	40	90-163 thru 90-165
240 / 277	40	240	50	90-170 thru 90-172
480	40	200	50	90-170 thru 90-172
600	40	160	50	90-170 thru 90-172

40 AMP WITH LUGS



30 AMP WITH SCREW TERMINALS





1F51N-619

EVAPORATIVE COOLING THERMOSTAT AND CONTROL

Functions as a switching device for the thermostat to provide an even level of cooling plus a choice of high and low speed control of the fan on evaporative coolers

FEATURES

- Grey plastic case is lightweight, weather-resistant and meets all code requirements
- Fully automatic, system designed with a fan delay (approximately 60 seconds) to pre-wet the cooler pads before the fan start
- Separate fan and pump relays. High or low fan speed selection
- Relay panel is removable from enclosure to facilitate field wiring
- Integral transformer 120/240 VAC to 24 VAC 60 Hz

SPECIFICATIONS

1F51N-619 Electrical Rating 24 VAC (30 VAC maximum) fixed anticipator
 1F51N-619 Dimensions 3.25"H X 4.50"W X 1.63"D
 8A18Z-2 Dimensions 8.00"H X 6.00"W X 3.00"D

EVAPORATIVE COOLING THERMOSTAT AND CONTROL

PACKAGE CONSISTS OF:	MODEL NUMBER	ITEM NUMBER
1F51N-619 / 8A18Z-2	21D28-6	21D28 006

EVAPORATIVE COOLING THERMOSTAT

COLOR	RANGE	DIFFERENTIAL	SYSTEM SWITCH POSITION	FAN SWITCH POSITION	MODEL NUMBER	ITEM NUMBER
Classic White	Scale 1-2-3-4-5 (55 to 95°F) No thermometer	1°F	Off, Cool, Vent	Hi, Lo	1F51N-619	1F51N-619

EVAPORATIVE COOLING CONTROL

INPUT VOLTAGE	COMBINED RELAY LOADS FULL LOAD	COMBINED RELAY LOADS LOCKED ROTOR	PUMP RELAY FULL LOAD	PUMP RELAY LOCKED ROTOR	FAN RELAY FULL LOAD	FAN RELAY LOCKED ROTOR	AGENCY	MODEL NUMBER	ITEM NUMBER
120 VAC, 240 VAC	16.0A, 8.0A	96.0A, 48.0A	10.0A, 5.0A	60.0A, 30.0A	12.0A, 6.0A	72.0A, 36.0A	U.L. Listed	8A18Z-2	08A18Z002S1

EXPANSION VALVES QUICK SELECTION GUIDE

TONNAGE									VALVE SERIES	PORT		INTERNAL CHECK (OPTIONAL)	FIELD SERVICEABLE
R-410A	R-22 / R-407A / R-407C	R-134A	R-404A / R-502 / R-507	R-448A / R-449A	R-513A / R-450A	R-32	R-454B / R-452B	R-290		CONVENTIONAL	BALANCED		
1 to 5	1/4 to 5	1/8 to 3	1/8 to 3	1/5 to 5.5	1/8 to 3	—	—	1/5 to 1.5	A	√		√	
1/2 to 15	—	—	—	—	—	0.9 to 22	0.6 to 16	—	NXT		√	√	
1.5 to 5	1.5 to 5	—	—	—	—	—	—	—	TXV Connect Kit		√	√	
—	1/4 to 20	1/4 to 14	1/8 to 10	1/4 to 8.5	1/5 to 11.5	—	—	1/4 to 5.5	HF		√		√
—	1/2 to 20	1/3 to 12	1/3 to 14	—	—	—	—	—	TI	√			
—	1/2 to 12	1/4 to 9	1/4 to 8	—	—	—	—	—	TCL	√			√
—	11 to 14	9 to 11	7 to 9	—	—	—	—	—	TJL	√			√
—	14 to 18	11 to 13	9 to 12	—	—	—	—	—	TJR	√			√
—	22 to 45	16 to 31	14 to 27	—	—	—	—	—	TER		√		√
—	55	45	37	—	—	—	—	—	TIR		√		√
—	55 to 85	45 to 68	37 to 60	—	—	—	—	—	THR		√		√
—	100	68	60	—	—	—	—	—	TMR		√		√
—	10 to 40	22 to 30	14 to 20	—	—	—	—	—	TRAE+		√		√
—	50 to 70	40	35	—	—	—	—	—	TRAE		√		
20 to 50	7 to 40	4 to 24	—	—	3-3/4 to 21	12 to 68	—	—	TX7		√		
—	1/2 to 5.5	1/3 to 4	1/3 to 3.5	—	—	—	—	—	ACP	√			
—	3/4 to 30	—	3/4 to 29	—	—	—	—	—	ZZ	√			√
—	1/2 to 12	1/4 to 7.5	1/4 to 8	—	—	—	—	—	LA / LCL	√			√
1/5 to 292	1/2 to 250	1/3 to 193	1/3 to 174	—	—	—	—	—	EX	Linear Flow			
0.2 to 4.5	0.1 to 3.8	0.1 to 2.8	0.1 to 2.5	0.1 to 3.6	0.1 to 2.9	—	—	—	PM (PWM)	Pulse Width Modulated			



AAE 1BA-01

A-SERIES THERMOSTATIC EXPANSION VALVES

The A-Series is used for heat pump, air conditioning, food service and commercial refrigeration applications.

FEATURES

- Stainless steel power element prevents corrosion and valve failure
- Hermetic, leak-free construction
- Compact size allows installation in limited spaces
- Mass spectrometer tested to ensure less than 0.10 oz/year external leakage rate
- ODF connections standard - SAE, Chatleff or Aeroquip also available
- External or internal equalizer
- Internal check available for heat pump applications
- Bleed type for pressure equalization available

SPECIFICATIONS

Maximum Working Pressure..... 700 psig (48 bar)
 UR/CUR File Number SA5312
 Canadian CRN 0C21506.513467890YTN

MODEL NUMBER NOMENCLATURE - Example: **AAE 2BA-01**

SERIES	SUPERHEAT ADJUSTMENT	INTERNAL CHECK VALVE	EQUALIZER	BLEED HOLE	CAPACITY	SYSTEM REFRIGERANT CODE	CHARGE CODE	SEQUENTIAL IDENTIFIER	CUSTOMER SPECIAL	PACK TYPE
A	A		E		2	B	A	-01		
Hermetic Design	A = Adjustable N = Non-Adjustable	C = Internal Check Valve for Reverse Flow Bypass (Heat Pump) Applications (Omit for No Check)	E = External (Omit for Internal)	B = Bleed Hole (Omit for No Bleed Hole)	Nominal Rating in Tons	B = R-448A/R-449A/R-452A D = R-450A/R-513A F = R-12 H = R-22/R-407A M = R-134a N = R-407C P = R-507 R = R-502 S = R-404A/R-407H T = R-290	A = Medium & Low Temp. AA = Wide Range C = Medium Temp. CA = Heat Pump W(MOP) = Press. Limiting Z = Low Temp.	-01 Thru -99	G = Customer Special (Omit for Standard)	B1 = Bulk Pack (Omit for Individual Pack)

A-SERIES THERMOSTATIC EXPANSION VALVES (Body Style Straight Thru)

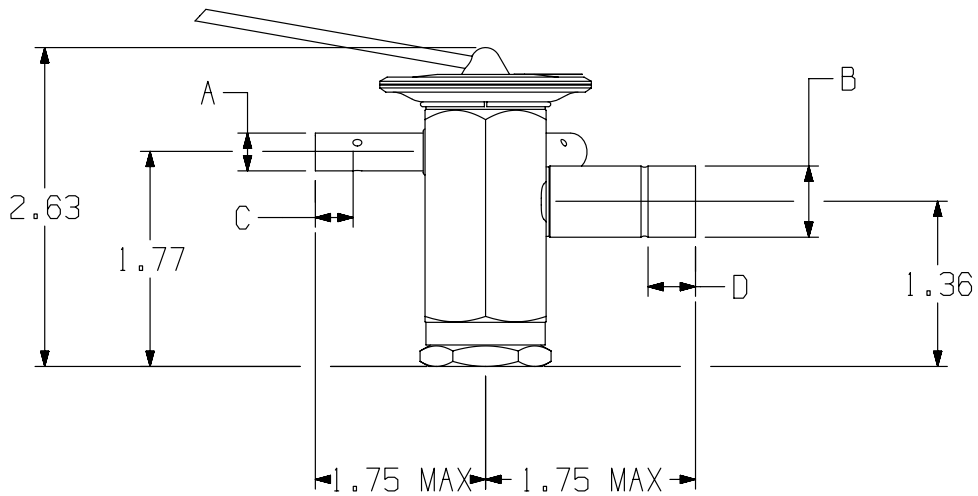
SYSTEM REFRIGERANT CODE	CAPACITY (NOMINAL TONNAGE)	CHARGE CODE	INLET X OUTLET CONNECTION	ADJUSTABLE SUPERHEAT	INTERNAL CHECK	EQUALIZER	BLEED	CAP LENGTH	MODEL NUMBER	ITEM NUMBER
B (R-448A, R-449A)	1/5	A (Med./Low Temp.)	3/8" X 1/2" ODF	Yes	No	Internal	No	30 In.	AA 1/5BA-01	066885
	1/4	A (Med./Low Temp.)	1/4" X 3/8" ODF	Yes	No	Internal	No	30 In.	AA 1/4BA-02	067033
	1/4	A (Med./Low Temp.)	3/8" X 1/2" ODF	Yes	No	Internal	No	30 In.	AA 1/4BA-01	066886
	1/2	A (Med./Low Temp.)	1/4" X 3/8" ODF	Yes	No	Internal	No	30 In.	AA 1/2BA-02	067035
	1/2	A (Med./Low Temp.)	3/8" X 1/2" ODF	Yes	No	Internal	No	30 In.	AA 1/2BA-01	066887
	1/2	A (Med./Low Temp.)	3/8" X 1/2" ODF	Yes	No	External	No	30 In.	AAE 1/2BA-02	066922
	1	A (Med./Low Temp.)	3/8" X 1/2" ODF	Yes	No	Internal	No	30 In.	AA 1BA-01	066888
	1	A (Med./Low Temp.)	3/8" X 1/2" ODF	Yes	No	External	No	30 In.	AAE 1BA-03	066923
	1	A (Med./Low Temp.)	1/2" X 5/8" ODF	Yes	No	External	No	30 In.	AAE 1BA-04	066931
	1-1/2	A (Med./Low Temp.)	3/8" X 1/2" ODF	Yes	No	External	No	30 In.	AAE 1-1/2BA-01	066889
	1-1/2	A (Med./Low Temp.)	1/2" X 5/8" ODF	Yes	No	External	No	30 In.	AAE 1-1/2BA-04	066928
	2	A (Med./Low Temp.)	3/8" X 1/2" ODF	Yes	No	External	No	30 In.	AAE 2BA-01	066890
	2	A (Med./Low Temp.)	1/2" X 5/8" ODF	Yes	No	External	No	30 In.	AAE 2BA-05	066925
	2	A (Med./Low Temp.)	5/8" X 7/8" ODF	Yes	No	External	No	30 In.	AAE 2BA-06	066932
	2-1/2	A (Med./Low Temp.)	3/8" X 1/2" ODF	Yes	No	External	No	30 In.	AAE 2-1/2BA-01	066891
2-1/2	A (Med./Low Temp.)	1/2" X 5/8" ODF	Yes	No	External	No	30 In.	AAE 2-1/2BA-06	066926	
2-1/2	A (Med./Low Temp.)	5/8" X 7/8" ODF	Yes	No	External	No	30 In.	AAE 2-1/2BA-07	066929	

DIMENSIONAL DATA (IN)

CONNECTION SIZE		A ± .002	B ± .002	C MIN	D MIN	E	F
INLET	OUTLET						
1/4 ODF	3/8 ODF	0.25	0.38	0.32	0.32	1.70	1.73
3/8 ODF	3/8 ODF	0.38	0.38	0.32	0.32	1.70	1.73
3/8 ODF	1/2 ODF	0.38	0.50	0.32	0.38	1.73	1.73
1/2 ODF	1/2 ODF	0.50	0.50	0.38	0.38	1.73	1.73
1/2 ODF	5/8 ODF	0.63	0.61	0.38	0.50	1.75	1.75

For adjustable valves, add 0.78 to body length.

DIMENSIONAL DIAGRAM



Capacity
Tables (Tons)



AFAE 1/4SC-01

AFA SERIES THERMOSTATIC EXPANSION VALVES

The AFA Series is designed for air conditioning and commercial refrigeration applications. It is ideal for applications requiring compact size combined with stable and accurate control over wide load and evaporator temperature ranges.

FEATURES

- Stainless steel power element prevents corrosion and valve failure
- External superheat adjustment
- Replaceable inlet strainer
- Angle configuration SAE connections only
- Wrench flats on inlet and outlet
- External or internal equalizer

SPECIFICATIONS

Maximum Working Pressure..... 700 psig (48 bar)
 UR/CUR File Number SA5312
 Canadian CRN 0C21506.513467890YTN

MODEL NUMBER NOMENCLATURE - Example: AFAE 1/2HC-01

SERIES	SUPERHEAT ADJUSTMENT	EQUALIZER	CAPACITY	SYSTEM REFRIGERANT CODE	CHARGE CODE	SEQUENTIAL IDENTIFIER	CUSTOMER SPECIAL	PACK TYPE
AF	A	E	1/2	H	C	-01		
Hermetic Design, Flare Connections	A = Adjustable	E = External (Omit for Internal)	Nominal Rating in Tons	F = R-12 H = R-22 M = R-134a N = R-407C P = R-507 R = R-502 S = R-404A Z = R-410A	AA = Wide Range C = Medium Temp. CA = Heat Pump W(MOP) = Press. Limiting Z = Low Temp.	-01 Thru -99	G = Customer Special (Omit for Standard)	B1 = Bulk Pack (Omit for Individual Pack)

AFA SERIES THERMOSTATIC EXPANSION VALVES (Body Style Angle 90°)

SYSTEM REFRIGERANT CODE	CAPACITY (NOMINAL TONNAGE)	CHARGE CODE	INLET X OUTLET CONNECTION	ADJUSTABLE SUPERHEAT	EQUALIZER	CAP LENGTH	MODEL NUMBER	ITEM NUMBER
F (R-12) *R-134a	1/4	W15(MOP)	1/4" X 3/8"-1/2" SAE	Yes	Internal	5 Ft.	AFA 1/4FW15-01	049373
	1/4	C (Med. Temp.)	1/4" X 3/8"-1/2" SAE	Yes	External	5 Ft.	AFAE 1/4FC-01	054240
	1/4	C (Med. Temp.)	1/4" X 3/8"-1/2" SAE	Yes	Internal	30 In.	AFA 1/4FC-03	057047
	1/4	C (Med. Temp.)	1/4" X 3/8"-1/2" SAE	Yes	Internal	5 Ft.	AFA 1/4FC-01	047753
	1/4	C (Med. Temp.)	3/8" X 3/8"-1/2" SAE	Yes	Internal	5 Ft.	AFA 1/4FC-02	054258
	1/2	C (Med. Temp.)	1/4" X 3/8"-1/2" SAE	Yes	External	30 In.	AFAE 1/2FC-03	057023
	1/2	C (Med. Temp.)	1/4" X 3/8"-1/2" SAE	Yes	Internal	30 In.	AFA 1/2FC-04	057028
	1/2	C (Med. Temp.)	1/4" X 3/8"-1/2" SAE	Yes	Internal	5 Ft.	AFA 1/2FC-01	047752
	1/2	Z (Low Temp.)	1/4" X 3/8"-1/2" SAE	Yes	Internal	5 Ft.	AFA 1/2FZ-01	048685
	1/2	C (Med. Temp.)	3/8" X 3/8"-1/2" SAE	Yes	Internal	30 In.	AFA 1/2FC-03	057027
	1/2	C (Med. Temp.)	3/8" X 3/8"-1/2" SAE	Yes	Internal	5 Ft.	AFA 1/2FC-02	054226
	1	C (Med. Temp.)	3/8" X 3/8"-1/2" SAE	Yes	External	5 Ft.	AFAE 1FC-02	059563
	1	C (Med. Temp.)	3/8" X 3/8"-1/2" SAE	Yes	External	30 In.	AFAE 1FC-01	057048
	1	C (Med. Temp.)	3/8" X 3/8"-1/2" SAE	Yes	Internal	30 In.	AFA 1FC-02	057029
	1	C (Med. Temp.)	3/8" X 3/8"-1/2" SAE	Yes	Internal	5 Ft.	AFA 1FC-01	047758
	1-1/2	C (Med. Temp.)	3/8" X 3/8"-1/2" SAE	Yes	External	30 In.	AFAE 1-1/2FC-02	061152
	1-1/2	C (Med. Temp.)	3/8" X 3/8"-1/2" SAE	Yes	External	5 Ft.	AFAE 1-1/2FC-01	052715

SYSTEM REFRIGERANT CODE	CAPACITY (NOMINAL TONNAGE)	CHARGE CODE	INLET X OUTLET CONNECTION	ADJUSTABLE SUPERHEAT	EQUALIZER	CAP LENGTH	MODEL NUMBER	ITEM NUMBER
S (R-404A) *R-502 *R-507	1/2	W45 (MOP)	3/8" X 3/8"-1/2" SAE	Yes	External	30 In.	AFAE 1/2SW45-01	066453
	1/2	W45 (MOP)	1/4" X 3/8"-1/2" SAE	Yes	External	30 In.	AFAE 1/2SW45-02	066503
	1/2	Z (Low Temp.)	1/4" X 3/8"-1/2" SAE	Yes	External	30 In.	AFAE 1/2SZ-02	066443
	1/2	Z (Low Temp.)	1/4" X 3/8"-1/2" SAE	Yes	Internal	30 In.	AFA 1/2SZ-01	066439
	3/4	C (Med. Temp.)	3/8" X 3/8"-1/2" SAE	Yes	Internal	30 In.	AFA 3/4SC-01	066425
	3/4	C (Med. Temp.)	3/8" X 3/8"-1/2" SAE	Yes	External	30 In.	AFAE 3/4SC-01	061911
	3/4	W45 (MOP)	3/8" X 3/8"-1/2" SAE	Yes	External	30 In.	AFAE 3/4SW45-01	066504
	3/4	W45 (MOP)	3/8" X 3/8"-1/2" SAE	Yes	Internal	30 In.	AFA 3/4SW45-01	066500
	3/4	Z (Low Temp.)	1/4" X 3/8"-1/2" SAE	Yes	External	30 In.	AFAE 3/4SZ-01	066444
	3/4	Z (Low Temp.)	3/8" X 3/8"-1/2" SAE	Yes	Internal	30 In.	AFA 3/4SZ-01	066440
	1	C (Med. Temp.)	3/8" X 3/8"-1/2" SAE	Yes	Internal	30 In.	AFA 1SC-01	066426
	1	C (Med. Temp.)	3/8" X 3/8"-1/2" SAE	Yes	External	30 In.	AFAE 1SC-01	061912
	1	W45 (MOP)	3/8" X 3/8"-1/2" SAE	Yes	External	30 In.	AFAE 1SW45-01	066452
	1	W45 (MOP)	3/8" X 3/8"-1/2" SAE	Yes	Internal	5 Ft.	AFA 1SW45-01	066501
	1	Z (Low Temp.)	1/4" X 3/8"-1/2" SAE	Yes	External	30 In.	AFAE 1SZ-02	066445
	1	Z (Low Temp.)	3/8" X 3/8"-1/2" SAE	Yes	External	5 Ft.	AFAE 1SZ-01	063464
	1	Z (Low Temp.)	3/8" X 3/8"-1/2" SAE	Yes	Internal	30 In.	AFA 1SZ-01	066441
	1-1/2	C (Med. Temp.)	3/8" X 3/8"-1/2" SAE	Yes	External	5 Ft.	AFAE 1-1/2SC-01	066454
	1-1/2	Z (Low Temp.)	3/8" X 3/8"-1/2" SAE	Yes	External	5 Ft.	AFAE 1-1/2SZ-01	063465
	2	C (Med. Temp.)	3/8" X 3/8"-1/2" SAE	Yes	External	30 In.	AFAE 2SC-01	061914
2	W45 (MOP)	3/8" X 3/8"-1/2" SAE	Yes	External	5 Ft.	AFAE 2SW45-01	066505	
2	Z (Low Temp.)	3/8" X 3/8"-1/2" SAE	Yes	External	5 Ft.	AFAE 2SZ-01	061646	

* Valve capacity is for the first refrigerant listed. To determine the capacity for additional refrigerants listed, consult the Nominal Capacity Tables for Interchangeable Refrigerants.

NOMINAL CAPACITY TABLE FOR INTERCHANGEABLE REFRIGERANTS IN TONS (KW)

R-134a	R-12	R-404 / R-507	R-502	R-22	R-407C
1/8 (0.4)	—	1/8 (0.4)	—	1/5 (0.7)	1/5 (0.7)
1/4 (0.9)	1/8 (0.4)	1/4 (0.9)	1/8 (0.4)	1/4 (0.9)	1/4 (0.9)
1/2 (1.8)	1/4 (0.9)	1/2 (1.8)	1/4 (0.9)	1/2 (1.8)	1/2 (1.8)
3/4 (2.6)	1/2 (1.8)	3/4 (2.6)	1/2 (1.8)	1 (3.5)	1 (3.5)
1 (3.5)	1 (3.5)	1 (3.5)	1 (3.5)	1-1/2 (5.3)	1-1/4 (4.4)
1-1/2 (5.3)	—	1-1/4 (4.4)	—	2 (7)	2 (7)
2 (7)	1-1/2 (5.3)	2 (7)	1-1/2 (5.3)	2-1/2 (8.8)	2-1/2 (8.8)
2-1/2 (8.8)	2 (7)	2-1/4 (7.2)	2 (7)	3 (10.6)	3-1/4 (11.4)
3 (10.6)	2-1/2 (8.8)	2-1/2 (8.8)	2-1/2 (8.8)	4 (14.1)	4 (14.1)
4 (14.1)	3 (10.6)	3-1/2 (12.3)	3 (10.6)	5 (17.6)	5-1/4 (18.5)

All capacities shown are at 100°F condensing, 40°F evaporator temperature. See Extended Capacity Tables for ratings at a wide range of conditions per AHRI standard 750.



Capacity Tables (Tons)



NXT SERIES THERMOSTATIC EXPANSION VALVES

The Copeland NXT Series is a balanced ported valve designed for high efficiency R-410A air conditioning and heat pump applications. NXT Series valves operate over a wide range of conditions and applications offering excellent performance, superior reliability, and unparalleled valve life.

FEATURES

- Precision superheat control optimized for R-410A systems
- Stainless steel sensing bulb and capillary tubing prevents corrosion and provides durability
- Enhanced power element design offers extended life
- Laser etched identification markings for permanent legibility
- Hermetic leak-free construction of all joints
- Internal check models provide bi-directional capability for heat pump applications
- Balanced port construction
- External equalizer is standard, other configurations available
- Optional screens on ODF inlet connections
- Available in adjustable or non-adjustable superheat

SPECIFICATIONS

Maximum Working Pressure..... 700 psig (48 bar)
 R-410A Operating Range.....-20°F to +50°F (-29° to 10°C)
 UR/CUR File Number SA5312
 Canadian CRN 0C20308.5C

MODEL NUMBER NOMENCLATURE - Example: NAE 3ZAA-17

SERIES	BODY TYPE	EQUALIZER	CAPACITY	SYSTEM REFRIGERANT CODE	CHARGE CODE	SEQUENTIAL IDENTIFIER	CUSTOMER SPECIAL	PACK TYPE
N	A	E	3	Z	AA	-17		
NXT Series Balanced Port	A = Adjustable Superheat, With Check, Straight-Thru B = Adjustable Superheat, No Check, Straight-Thru C = Non-Adjustable Superheat, With Check, Straight-Thru D = Non-Adjustable Superheat, No Check, Straight-Thru	E = External Equalizer	Nominal Rating in Tons	Z = R-410A	AA = Wide Range	-01 Thru -999	G = Cust. Special (Omit for Standard)	B1 = Bulk Pack (Omit for Individual Pack)

NXT SERIES THERMOSTATIC EXPANSION VALVES (Body Style Straight Thru)

SYSTEM REFRIGERANT CODE	CAPACITY (NOMINAL TONNAGE)	CHARGE CODE	INLET X OUTLET CONNECTION	ADJUSTABLE SUPERHEAT	INTERNAL CHECK	EQUALIZER	BLEED	CAP LENGTH	MODEL NUMBER	ITEM NUMBER
Z(R-410A)	1/2	AA (Wide Range)	3/8" X 3/8" ODF	Yes	No	30" With Angle Cut	15%	30 In.	NBE 1/2ZAA-05	091065
	1/2	AA (Wide Range)	3/8" X 3/8" ODF	Yes	No	1/8" Cap	No	30 In.	NBE 1/2ZAA-04	091064
	1/2	AA (Wide Range)	3/8" X 1/2" ODF	Yes	No	1/4" ODF	No	30 In.	NBE 1/2ZAA-06	091066
	1	AA (Wide Range)	Chatleff	Yes	Yes	5 Ft.*	No	5 Ft.	NAE 1ZAA-07	091002
	1	AA (Wide Range)	3/8" X 1/2" ODF	Yes	Yes	1/4" ODF	15%	5 Ft.	NAE 1ZAA-06	091001
	1	AA (Wide Range)	3/8" X 1/2" ODF	Yes	No	1/4" ODF	15%	5 Ft.	NBE 1ZAA-09	091005
	1	AA (Wide Range)	3/8" X 1/2" ODF	Yes	Yes	1/4" ODF	No	5 Ft.	NAE 1ZAA-05	091000
	1	AA (Wide Range)	3/8" X 1/2" ODF	Yes	No	1/4" ODF	No	5 Ft.	NBE 1ZAA-08	091004
	1-1/2	AA (Wide Range)	Chatleff	Yes	Yes	5 Ft.*	No	5 Ft.	NAE 1-1/2ZAA-11	091008
	1-1/2	AA (Wide Range)	3/8" X 1/2" ODF	Yes	Yes	1/4" ODF	15%	5 Ft.	NAE 1-1/2ZAA-10	091007
	1-1/2	AA (Wide Range)	3/8" X 1/2" ODF	Yes	No	1/4" ODF	15%	5 Ft.	NBE 1-1/2ZAA-13	091011
	1-1/2	AA (Wide Range)	3/8" X 1/2" ODF	Yes	Yes	1/4" ODF	No	5 Ft.	NAE 1-1/2ZAA-09	091006
	1-1/2	AA (Wide Range)	3/8" X 1/2" ODF	Yes	No	1/4" ODF	No	5 Ft.	NBE 1-1/2ZAA-12	091010
	2	AA (Wide Range)	Chatleff	Yes	Yes	5 Ft.*	No	5 Ft.	NAE 2ZAA-12	091014
	2	AA (Wide Range)	3/8" X 1/2" ODF	Yes	Yes	1/4" ODF	15%	5 Ft.	NAE 2ZAA-11	091013

NXT SERIES THERMOSTATIC EXPANSION VALVES (CONTINUED)

SYSTEM REFRIGERANT CODE	CAPACITY (NOMINAL TONNAGE)	CHARGE CODE	INLET X OUTLET CONNECTION	ADJUSTABLE SUPERHEAT	INTERNAL CHECK	EQUALIZER	BLEED	CAP LENGTH	MODEL NUMBER	ITEM NUMBER
Z(R-410A)	2	AA (Wide Range)	3/8" X 1/2" ODF	Yes	No	1/4" ODF	15%	5 Ft.	NBE 2ZAA-05	091017
	2	AA (Wide Range)	3/8" X 1/2" ODF	Yes	Yes	1/4" ODF	No	5 Ft.	NAE 2ZAA-10	091012
	2	AA (Wide Range)	3/8" X 1/2" ODF	Yes	No	1/4" ODF	No	5 Ft.	NBE 2ZAA-04	091016
	3	AA (Wide Range)	Chatleff	Yes	Yes	5 Ft.*	No	5 Ft.	NAE 3ZAA-17	091020
	3	AA (Wide Range)	3/8" X 1/2" ODF	Yes	Yes	1/4" ODF	15%	5 Ft.	NAE 3ZAA-16	091019
	3	AA (Wide Range)	3/8" X 1/2" ODF	Yes	No	1/4" ODF	15%	5 Ft.	NBE 3ZAA-12	091023
	3	AA (Wide Range)	3/8" X 1/2" ODF	Yes	Yes	1/4" ODF	No	5 Ft.	NAE 3ZAA-15	091018
	3	AA (Wide Range)	3/8" X 1/2" ODF	Yes	No	1/4" ODF	No	5 Ft.	NBE 3ZAA-11	091022
	4	AA (Wide Range)	Chatleff	Yes	Yes	5 Ft.*	No	5 Ft.	NAE 4ZAA-19	091026
	4	AA (Wide Range)	3/8" X 1/2" ODF	Yes	Yes	1/4" ODF	15%	5 Ft.	NAE 4ZAA-18	091025
	4	AA (Wide Range)	3/8" X 1/2" ODF	Yes	No	1/4" ODF	15%	5 Ft.	NBE 4ZAA-09	091029
	4	AA (Wide Range)	3/8" X 1/2" ODF	Yes	Yes	1/4" ODF	No	5 Ft.	NAE 4ZAA-17	091024
	4	AA (Wide Range)	3/8" X 1/2" ODF	Yes	No	1/4" ODF	No	5 Ft.	NBE 4ZAA-08	091028
	5	AA (Wide Range)	Chatleff	Yes	Yes	5 Ft.*	No	5 Ft.	NAE 5ZAA-31	091032
	5	AA (Wide Range)	3/8" X 1/2" ODF	Yes	Yes	1/4" ODF	No	5 Ft.	NAE 5ZAA-33	091063
	5	AA (Wide Range)	1/2" X 5/8" ODF	Yes	Yes	1/4" ODF	15%	5 Ft.	NAE 5ZAA-30	091031
	5	AA (Wide Range)	1/2" X 5/8" ODF	Yes	No	1/4" ODF	15%	5 Ft.	NBE 5ZAA-12	091035
	5	AA (Wide Range)	1/2" X 5/8" ODF	Yes	No	1/4" ODF	No	5 Ft.	NBE 5ZAA-11	091034
	6	AA (Wide Range)	Chatleff	Yes	Yes	5 Ft.*	No	5 Ft.	NAE 6ZAA-07	091038
	6	AA (Wide Range)	1/2" X 5/8" ODF	Yes	Yes	1/4" ODF	15%	5 Ft.	NAE 6ZAA-06	091037
	6	AA (Wide Range)	1/2" X 5/8" ODF	Yes	No	1/4" ODF	15%	5 Ft.	NBE 6ZAA-09	091041
	6	AA (Wide Range)	1/2" X 5/8" ODF	Yes	Yes	1/4" ODF	No	5 Ft.	NAE 6ZAA-05	091036
	6	AA (Wide Range)	1/2" X 5/8" ODF	Yes	No	1/4" ODF	No	5 Ft.	NBE 6ZAA-08	091040
	7	AA (Wide Range)	Chatleff	Yes	Yes	5 Ft.*	No	5 Ft.	NAE 7ZAA-09	091044
	7	AA (Wide Range)	5/8" X 7/8" ODF	Yes	Yes	1/4" ODF	15%	5 Ft.	NAE 7ZAA-08	091043
	7	AA (Wide Range)	5/8" X 7/8" ODF	Yes	No	1/4" ODF	15%	5 Ft.	NBE 7ZAA-08	091047
	7	AA (Wide Range)	5/8" X 7/8" ODF	Yes	Yes	1/8" Cap	No	5 Ft.	NAE 7ZAA-10	091045
	7	AA (Wide Range)	5/8" X 7/8" ODF	Yes	No	1/4" ODF	No	5 Ft.	NBE 7ZAA-07	091046
	8	AA (Wide Range)	5/8" X 7/8" ODF	Yes	No	1/4" ODF	15%	5 Ft.	NBE 8ZAA-03	091049
	8	AA (Wide Range)	5/8" X 7/8" ODF	Yes	No	1/4" ODF	No	5 Ft.	NBE 8ZAA-02	091048
	10	AA (Wide Range)	5/8" X 7/8" ODF	Yes	No	1/4" ODF	15%	5 Ft.	NBE 10ZAA-04	091051
	10	AA (Wide Range)	5/8" X 7/8" ODF	Yes	No	1/4" ODF	No	5 Ft.	NBE 10ZAA-03	091050
	12	AA (Wide Range)	1/2" X 5/8" ODF	Yes	No	1/4" ODF	No	5 Ft.	NBE 12ZAA-09	091060
12	AA (Wide Range)	5/8" X 7/8" ODF	Yes	No	1/4" ODF	15%	5 Ft.	NBE 12ZAA-06	091053	
12	AA (Wide Range)	5/8" X 7/8" ODF	Yes	No	1/4" ODF	No	5 Ft.	NBE 12ZAA-05	091052	
12	AA (Wide Range)	5/8" X 1-1/8" ODF	Yes	No	1/4" ODF	No	5 Ft.	NBE 12ZAA-07	091054	
12	AA (Wide Range)	7/8" X 1-1/8" ODF	Yes	No	1/4" ODF	No	5 Ft.	NBE 12ZAA-08	091055	
15	AA (Wide Range)	5/8" X 7/8" ODF	Yes	No	1/4" ODF	No	5 Ft.	NBE 15ZAA-06	091056	
15	AA (Wide Range)	5/8" X 1-1/8" ODF	Yes	No	1/4" ODF	No	5 Ft.	NBE 15ZAA-08	091058	
15	AA (Wide Range)	7/8" X 1-1/8" ODF	Yes	No	1/4" ODF	No	5 Ft.	NBE 15ZAA-09	091059	

* External equalizer has a stainless steel tube and copper flare with 1/4" SAE flare nut



TXV CONNECT KITS THERMOSTATIC EXPANSION VALVES

Copeland TXV Connect kits provide a universal retrofit and service solution. Adapters are available for Chatleff and Aeroquip connections, and an external equalizer connector makes installation easy for all residential air conditioning systems.

FEATURES

- ODF TXVs with internal check, Chatleff and Aeroquip adapters, external equalizer connector and bulb strap
- Fits all systems regardless of manufacturer
- R-410A and R-22 kits in multiple capacities
- R-410A valve offers stainless steel power assembly for durability
- Adapters have extended ends for ease of installation
- Easy field replacement of fixed orifice for increased efficiency

SPECIFICATIONS

Maximum Working Pressure..... 700 psig (48 bar)
 UL/CUL File Number (Valves) SA5312
 Canadian CRN for R-22 0C21506.513467890YTN
 Canadian CRN for R-410A 0C20308.5C

TXV CONNECT KITS THERMOSTATIC EXPANSION VALVES (Body Style Straight Thru)

SYSTEM REFRIGERANT CODE	CAPACITY (NOMINAL TONNAGE)	INLET X OUTLET CONNECTION	ADJUSTABLE SUPERHEAT	EQUALIZER	CAP LENGTH	MODEL NUMBER	ITEM NUMBER
H (R-22)	1-1/2 to 3	3/8" X 1/2" ODF	Yes	External	30 In.	TXV+CONNECT 2-1/2TR-22	066657
	3-1/2 to 5	3/8" X 1/2" ODF	Yes	External	30 In.	TXV+CONNECT 5TR-22	066658
Z (R-410A)	1-1/2	3/8" X 1/2" ODF	Yes	External	5 Ft.	TXV+CONNECT 1-1/2TR-410A	066660
	2	3/8" X 1/2" ODF	Yes	External	5 Ft.	TXV+CONNECT 2TR-410A	066661
	3	3/8" X 1/2" ODF	Yes	External	5 Ft.	TXV+CONNECT 3TR-410A	066662
	4	3/8" X 1/2" ODF	Yes	External	5 Ft.	TXV+CONNECT 4TR-410A	066663
	5	3/8" X 1/2" ODF	Yes	External	5 Ft.	TXV+CONNECT 5TR-410A	066664

TXV CONNECT KITS ADAPTERS

DESCRIPTION	MODEL NUMBER	ITEM NUMBER
Chatleff Adapter Assembly, 1/2" ODF X Chatleff	KT-30036-1	066653
Chatleff Adapter Assembly Standard, Short, 1/2" ODF X Chatleff*	KT-30036-3	066679
Aeroquip Adapter Assembly, 1/2" ODF X Aeroquip*	KT-30037-1	066654

* Included in kit but also available for individual purchase.



HFES 1/2FC-01

HF SERIES THERMOSTATIC EXPANSION VALVES

The HF Series is a balanced ported valve designed for refrigeration, air conditioning and heat pump applications.

FEATURES

- Stainless steel replaceable power assembly eliminates corrosion and prevents valve failure
- Two body sizes provide capacities from 1/8 to 13 tons for R-404A
- Bodies, cages and power assemblies can be ordered separately or in pre-packaged Service kits
- Bi-directional capability up to 3-1/2 tons for R-22 on one valve superheat control in cooling and heating
- Optional removable inlet strainer (ODF only)
- Available in straight-through or angle flow configurations
- Available with internal or external equalizer
- Available in ODF or SAE connections

SPECIFICATIONS

Maximum Working Pressure..... 450 psig (31 bar)
 UR/CUR File Number SA5312
 Canadian CRN 0C21506.513467890YTN

MODEL NUMBER NOMENCLATURE - Example: HFE 1/2FC-01

SERIES	SUPERHEAT ADJUSTMENT	EQUALIZER	CONNECTION TYPE	REMOVABLE INLET STRAINER	BLEED HOLE	CAPACITY	SYSTEM REFRIGERANT CODE	CHARGE CODE	SEQUENTIAL IDENTIFIER	CUSTOMER SPECIAL	PACK TYPE
HF		E				1/2	F	C	-01	G	
Balanced Port Design	N = Non-adjustable (Omit For Adjustable)	E = External (Omit For Internal)	S = Solder (Omit For SAE Flare)	C = Inlet Strainer (ODF Only)	B = Bleed Hole (Omit For No Bleed Hole)	Nominal Rating in Tons	B = R-448A/R-449A/R-452A D = R-450A/R-513A F = R-12 H = R-22/R-407A M = R-134a N = R-407C P = R-507 R = R-502 S = R-404A/R-407H T = R-290	A = Medium & Low Temp. AA = Wide Range C = Medium Temp. CA = Heat Pump W(MOP) = Press. Limiting Z = Low Temp.	-01 Thru -999	G = Cust. Special (Omit for Standard)	B1 = Bulk Pack (Omit for Individual Pack)

HF SERIES THERMOSTATIC EXPANSION VALVES (Adjustable Superheat Models)

SYSTEM REFRIGERANT CODE	CAPACITY (NOMINAL TONNAGE)	CHARGE CODE	INLET X OUTLET CONNECTION	EQUALIZER	BLEED	CAP LENGTH	BODY DESIGN	STRAINER	MODEL NUMBER	ITEM NUMBER
B (R-448A, R-449A)	1/4	A (Med./Low Temp.)	1/4" X 1/2" ODF	External	No	5 Ft.	Straight Thru	No	HFES 1/4BA-01	067018
	1/4	A (Med./Low Temp.)	1/4" X 1/2" ODF	External	No	5 Ft.	Angle	Yes	HFESC 1/4BA-01	067016
	1/2	A (Med./Low Temp.)	1/4" X 1/2" ODF	External	No	5 Ft.	Straight Thru	No	HFES 1/2BA-01	067019
	1/2	A (Med./Low Temp.)	1/4" X 1/2" ODF	External	No	5 Ft.	Angle	Yes	HFESC 1/2BA-01	067017
	1/2	A (Med./Low Temp.)	3/8" X 1/2" ODF	External	No	5 Ft.	Angle	Yes	HFESC 1/2BA-02	066979
	1	A (Med./Low Temp.)	3/8" X 1/2" ODF	External	No	5 Ft.	Straight Thru	No	HFES 1BA-01	067008
	1	A (Med./Low Temp.)	3/8" X 1/2" ODF	External	No	5 Ft.	Angle	Yes	HFESC 1BA-01	066980
	1-1/2	A (Med./Low Temp.)	3/8" X 1/2" ODF	External	No	5 Ft.	Straight Thru	No	HFES 1-1/2BA-01	067009
	1-1/2	A (Med./Low Temp.)	3/8" X 1/2" ODF	External	No	5 Ft.	Angle	Yes	HFESC 1-1/2BA-01	066981
	2	A (Med./Low Temp.)	3/8" X 1/2" ODF	External	No	5 Ft.	Straight Thru	No	HFES 2BA-01	067010
	2	A (Med./Low Temp.)	3/8" X 1/2" ODF	External	No	5 Ft.	Angle	Yes	HFESC 2BA-01	066982
	2-1/2	A (Med./Low Temp.)	3/8" X 1/2" ODF	External	No	5 Ft.	Straight Thru	No	HFES 2-1/2BA-01	067011
2-1/2	A (Med./Low Temp.)	3/8" X 1/2" ODF	External	No	5 Ft.	Angle	Yes	HFESC 2-1/2BA-01	066983	
3-1/2	A (Med./Low Temp.)	3/8" X 1/2" ODF	External	No	5 Ft.	Straight Thru	No	HFES 3-1/2BA-01	067012	

All capacities shown are at 100°F condensing, 40°F evaporator temperature.

Valve capacity is for the first refrigerant listed. To determine the capacity for additional refrigerants listed, consult the nominal capacity tables for interchangeable refrigerants.

HF SERIES

THERMOSTATIC EXPANSION VALVES

SYSTEM REFRIGERANT CODE	CAPACITY (NOMINAL TONNAGE)	CHARGE CODE	INLET X OUTLET CONNECTION	EQUALIZER	BLEED	CAP LENGTH	BODY DESIGN	STRAINER	MODEL NUMBER	ITEM NUMBER	
B (R-448A, R-449A)	3-1/2	A (Med./Low Temp.)	3/8" X 1/2" ODF	External	No	5 Ft.	Angle	Yes	HFESC 3-1/2BA-01	066984	
	6	A (Med./Low Temp.)	3/8" X 1/2" ODF	External	No	5 Ft.	Angle	Yes	HFESC 6BA-01	066985	
	6	A (Med./Low Temp.)	5/8" X 7/8" ODF	External	No	5 Ft.	Straight Thru	No	HFESC 6BA-01	067013	
	6	A (Med./Low Temp.)	5/8" X 7/8" ODF	External	No	5 Ft.	Angle	Yes	HFESC 6BA-02	067014	
	8-1/2	A (Med./Low Temp.)	3/8" X 1/2" ODF	External	No	5 Ft.	Angle	Yes	HFESC 8-1/2BA-01	066986	
	8-1/2	A (Med./Low Temp.)	5/8" X 7/8" ODF	External	No	5 Ft.	Angle	Yes	HFESC 8-1/2BA-02	067015	
D (R-450A, R-513A)	1/5	A (Med./Low Temp.)	1/4" X 1/2" ODF	Internal	No	5 Ft.	Angle	No	HFS 1/5DA-01	096856	
	1/5	A (Med./Low Temp.)	3/8" X 1/2" ODF	External	No	5 Ft.	Straight Thru	No	HFES 1/5DA-01	096840	
	1/5	A (Med./Low Temp.)	3/8" X 1/2" ODF	External	No	5 Ft.	Angle	Yes	HFESC 1/5DA-01	096851	
	1/5	A (Med./Low Temp.)	3/8" X 1/2" ODF	Internal	No	5 Ft.	Angle	Yes	HFESC 1/5DA-01	096858	
	1/4	A (Med./Low Temp.)	1/4" X 1/2" ODF	Internal	No	5 Ft.	Angle	No	HFS 1/4DA-01	096855	
	1/4	A (Med./Low Temp.)	3/8" X 1/2" ODF	External	No	5 Ft.	Straight Thru	No	HFES 1/4DA-01	096839	
	1/4	A (Med./Low Temp.)	3/8" X 1/2" ODF	External	No	5 Ft.	Angle	Yes	HFESC 1/4DA-01	096850	
	1/4	A (Med./Low Temp.)	3/8" X 1/2" ODF	Internal	No	5 Ft.	Angle	Yes	HFESC 1/4DA-01	096857	
	1/2	A (Med./Low Temp.)	1/4" X 1/2" ODF	Internal	No	5 Ft.	Angle	No	HFS 1/2DA-01	096854	
	1/2	A (Med./Low Temp.)	3/8" X 1/2" ODF	External	No	5 Ft.	Straight Thru	No	HFES 1/2DA-01	096838	
	1/2	A (Med./Low Temp.)	3/8" X 1/2" ODF	External	No	5 Ft.	Angle	Yes	HFESC 1/2DA-01	096849	
	3/4	A (Med./Low Temp.)	3/8" X 1/2" ODF	External	No	5 Ft.	Straight Thru	No	HFES 3/4DA-01	096845	
	3/4	A (Med./Low Temp.)	3/8" X 1/2" ODF	External	No	5 Ft.	Angle	Yes	HFESC 3/4DA-01	096853	
	1	A (Med./Low Temp.)	3/8" X 1/2" ODF	External	No	5 Ft.	Straight Thru	No	HFES 1DA-01	096842	
	1	A (Med./Low Temp.)	3/8" X 1/2" ODF	External	No	5 Ft.	Angle	Yes	HFESC 1DA-01	096852	
	1-1/2	A (Med./Low Temp.)	3/8" X 1/2" ODF	External	No	5 Ft.	Straight Thru	No	HFES 1-1/2DA-01	096837	
	2	A (Med./Low Temp.)	3/8" X 1/2" ODF	External	No	5 Ft.	Straight Thru	No	HFES 2DA-01	096843	
	3-1/2	A (Med./Low Temp.)	3/8" X 1/2" ODF	External	No	5 Ft.	Straight Thru	No	HFES 3-1/2DA-01	096844	
	4-1/2	A (Med./Low Temp.)	3/8" X 1/2" ODF	External	No	5 Ft.	Straight Thru	No	HFES 4-1/2DA-01	096846	
	6	A (Med./Low Temp.)	5/8" X 7/8" ODF	External	No	5 Ft.	Straight Thru	No	HFES 6DA-01	096847	
	9	A (Med./Low Temp.)	5/8" X 7/8" ODF	External	No	5 Ft.	Straight Thru	No	HFES 9DA-01	096848	
	11-1/2	A (Med./Low Temp.)	7/8" X 1-1/8" ODF	External	No	5 Ft.	Straight Thru	No	HFES 11-1/2DA-01	096841	
	F (R-12) *R-134a	1/4	C (Med. Temp.)	1/4" X 1/2" SAE	Internal	No	5 Ft.	Angle	No	HF 1/4FC-01	009811
		1/4	C (Med. Temp.)	3/8" X 1/2" SAE	External	No	5 Ft.	Angle	No	HFE 1/4FC-01	054360
1/4		C (Med. Temp.)	3/8" X 1/2" SAE	Internal	No	5 Ft.	Angle	No	HF 1/4FC-02	054134	
1/2		C (Med. Temp.)	1/4" X 1/2" SAE	External	No	5 Ft.	Angle	No	HFE 1/2FC-01	009955	
1/2		C (Med. Temp.)	1/4" X 1/2" SAE	Internal	No	5 Ft.	Angle	No	HF 1/2FC-01	009810	
1/2		C (Med. Temp.)	3/8" X 1/2" SAE	External	No	5 Ft.	Angle	No	HFE 1/2FC-02	054895	
1/2		C (Med. Temp.)	3/8" X 1/2" ODF	External	No	5 Ft.	Angle	No	HFES 1/2FC-01	056021	
1/2		C (Med. Temp.)	3/8" X 1/2" ODF	External	No	5 Ft.	Angle	Yes	HFESC 1/2FC-01	057397	
1/2		C (Med. Temp.)	3/8" X 1/2" SAE	Internal	No	5 Ft.	Angle	No	HF 1/2FC-02	054892	
1/2		C (Med. Temp.)	3/8" X 1/2" ODF	Internal	No	5 Ft.	Straight Thru	No	HFS 1/2FC-01	056013	
1/2		C (Med. Temp.)	3/8" X 1/2" ODF	Internal	No	5 Ft.	Angle	No	HFS 1/2FC-02	056063	
1		C (Med. Temp.)	3/8" X 1/2" SAE	External	No	5 Ft.	Angle	No	HFE 1FC-01	054909	
1		C (Med. Temp.)	3/8" X 1/2" ODF	External	No	5 Ft.	Angle	No	HFES 1FC-01	055993	
1		C (Med. Temp.)	3/8" X 1/2" ODF	External	No	5 Ft.	Straight Thru	No	HFES 1FC-02	056151	
1		C (Med. Temp.)	3/8" X 1/2" ODF	External	No	5 Ft.	Angle	Yes	HFESC 1FC-01	057398	
1		C (Med. Temp.)	3/8" X 1/2" SAE	Internal	No	5 Ft.	Angle	No	HF 1FC-01	054905	
1		C (Med. Temp.)	3/8" X 1/2" ODF	Internal	No	5 Ft.	Straight Thru	No	HFS 1FC-01	056119	
1		Z (Low Temp.)	3/8" X 1/2" SAE	External	No	5 Ft.	Angle	No	HFE 1FZ-01	054910	
1-1/2		C (Med. Temp.)	3/8" X 1/2" SAE	External	No	5 Ft.	Angle	No	HFE 1-1/2FC-01	054917	
1-1/2		C (Med. Temp.)	3/8" X 1/2" ODF	External	No	5 Ft.	Angle	No	HFES 1-1/2FC-01	055994	
1-1/2		C (Med. Temp.)	3/8" X 1/2" ODF	External	No	5 Ft.	Angle	Yes	HFESC 1-1/2FC-01	057399	
1-1/2		C (Med. Temp.)	3/8" X 1/2" SAE	Internal	No	5 Ft.	Angle	No	HF 1-1/2FC-01	054914	
2		C (Med. Temp.)	3/8" X 1/2" SAE	External	No	5 Ft.	Angle	No	HFE 2FC-01	053069	
2		C (Med. Temp.)	3/8" X 1/2" ODF	External	No	5 Ft.	Angle	Yes	HFESC 2FC-01	057400	
2		C (Med. Temp.)	3/8" X 1/2" SAE	Internal	No	5 Ft.	Angle	No	HF 2FC-01	053060	
3-1/2		C (Med. Temp.)	3/8" X 1/2" SAE	External	No	5 Ft.	Angle	No	HFE 3-1/2FC-01	054138	
H (R-22) *R-407C		1/4	C (Med. Temp.)	1/4" X 1/2" SAE	Internal	No	5 Ft.	Angle	No	HF 1/4HC-03	058430
		1/4	C (Med. Temp.)	3/8" X 1/2" SAE	External	No	5 Ft.	Angle	No	HFE 1/4HC-01	054924

SYSTEM REFRIGERANT CODE	CAPACITY (NOMINAL TONNAGE)	CHARGE CODE	INLET X OUTLET CONNECTION	EQUALIZER	BLEED	CAP LENGTH	BODY DESIGN	STRAINER	MODEL NUMBER	ITEM NUMBER
H (R-22) *R-407C	1/4	C (Med. Temp.)	3/8" X 1/2" ODF	External	No	5 Ft.	Straight Thru	No	HFES 1/4HC-01	055927
	1/4	C (Med. Temp.)	3/8" X 1/2" ODF	External	No	5 Ft.	Angle	Yes	HFESC 1/4HC-01	057409
	1/4	C (Med. Temp.)	3/8" X 1/2" SAE	Internal	No	5 Ft.	Angle	No	HF 1/4HC-01	054921
	1/4	C (Med. Temp.)	3/8" X 1/2" ODF	Internal	No	5 Ft.	Angle	No	HFS 1/4HC-01	055493
	1/4	C (Med. Temp.)	3/8" X 1/2" ODF	Internal	No	5 Ft.	Straight Thru	No	HFS 1/4HC-02	055633
	1/4	C (Med. Temp.)	3/8" X 1/2" ODF	Internal	No	5 Ft.	Angle	Yes	HFSC 1/4HC-01	057467
	1/4	Z (Low Temp.)	1/4" X 1/2" SAE	Internal	No	5 Ft.	Angle	No	HF 1/4HZ-01	059653
	1/4	Z (Low Temp.)	3/8" X 1/2" SAE	External	No	5 Ft.	Angle	No	HFE 1/4HZ-01	054925
	1/4	Z (Low Temp.)	3/8" X 1/2" ODF	External	No	5 Ft.	Angle	Yes	HFESC 1/4HZ-01	057428
	1/4	Z (Low Temp.)	3/8" X 1/2" ODF	Internal	No	5 Ft.	Straight Thru	No	HFS 1/4HZ-01	056169
	1/2	C (Med. Temp.)	1/4" X 1/2" SAE	External	No	5 Ft.	Angle	No	HFE 1/2HC-02	059079
	1/2	C (Med. Temp.)	1/4" X 1/2" SAE	Internal	No	5 Ft.	Angle	No	HF 1/2HC-01	009812
	1/2	C (Med. Temp.)	3/8" X 1/2" SAE	External	No	5 Ft.	Angle	No	HFE 1/2HC-01	054361
	1/2	C (Med. Temp.)	3/8" X 1/2" ODF	External	No	5 Ft.	Angle	No	HFES 1/2HC-01	054838
	1/2	C (Med. Temp.)	3/8" X 1/2" ODF	External	No	5 Ft.	Straight Thru	No	HFES 1/2HC-02	055827
	1/2	C (Med. Temp.)	3/8" X 1/2" ODF	External	No	5 Ft.	Angle	Yes	HFESC 1/2HC-01	057291
	1/2	C (Med. Temp.)	3/8" X 1/2" SAE	Internal	No	5 Ft.	Angle	No	HF 1/2HC-02	054135
	1/2	C (Med. Temp.)	3/8" X 1/2" ODF	Internal	No	5 Ft.	Straight Thru	No	HFS 1/2HC-02	054136
	1/2	C (Med. Temp.)	3/8" X 1/2" ODF	Internal	No	5 Ft.	Angle	No	HFS 1/2HC-03	054723
	1/2	C (Med. Temp.)	3/8" X 1/2" ODF	Internal	No	5 Ft.	Angle	Yes	HFSC 1/2HC-01	057293
	1/2	W35 (MOP)	3/8" X 1/2" SAE	Internal	No	5 Ft.	Angle	No	HF 1/2HW35-01	054362
	1/2	Z (Low Temp.)	3/8" X 1/2" SAE	External	No	5 Ft.	Angle	No	HFE 1/2HZ-01	054365
	1/2	Z (Low Temp.)	3/8" X 1/2" ODF	External	No	5 Ft.	Straight Thru	No	HFES 1/2HZ-01	055889
	1/2	Z (Low Temp.)	3/8" X 1/2" ODF	External	No	5 Ft.	Angle	Yes	HFESC 1/2HZ-01	057429
	1/2	Z (Low Temp.)	3/8" X 1/2" SAE	Internal	No	5 Ft.	Angle	No	HF 1/2HZ-01	054364
	1/2	Z (Low Temp.)	3/8" X 1/2" ODF	Internal	No	5 Ft.	Angle	Yes	HFSC 1/2HZ-01	057482
	1	C (Med. Temp.)	3/8" X 1/2" SAE	External	No	5 Ft.	Angle	No	HFE 1HC-01	054930
	1	C (Med. Temp.)	3/8" X 1/2" ODF	External	No	5 Ft.	Angle	No	HFES 1HC-01	055494
	1	C (Med. Temp.)	3/8" X 1/2" ODF	External	No	5 Ft.	Straight Thru	No	HFES 1HC-02	055708
	1	C (Med. Temp.)	3/8" X 1/2" ODF	External	No	5 Ft.	Angle	Yes	HFESC 1HC-01	057410
	1	C (Med. Temp.)	3/8" X 1/2" SAE	Internal	No	5 Ft.	Angle	No	HF 1HC-01	054927
	1	C (Med. Temp.)	3/8" X 1/2" ODF	Internal	No	5 Ft.	Angle	No	HFS 1HC-01	055702
	1	C (Med. Temp.)	3/8" X 1/2" ODF	Internal	No	5 Ft.	Straight Thru	No	HFS 1HC-02	055928
	1	C (Med. Temp.)	3/8" X 1/2" ODF	Internal	No	5 Ft.	Angle	Yes	HFSC 1HC-01	057468
	1	W35 (MOP)	3/8" X 1/2" SAE	External	No	5 Ft.	Angle	No	HFE 1HW35-01	054932
	1	Z (Low Temp.)	3/8" X 1/2" SAE	External	No	5 Ft.	Angle	No	HFE 1HZ-01	054931
	1	Z (Low Temp.)	3/8" X 1/2" ODF	External	No	5 Ft.	Angle	Yes	HFESC 1HZ-01	057430
	1	Z (Low Temp.)	3/8" X 1/2" SAE	Internal	No	5 Ft.	Angle	No	HF 1HZ-01	054928
	1-1/2	C (Med. Temp.)	3/8" X 1/2" SAE	External	No	5 Ft.	Angle	No	HFE 1-1/2HC-01	054936
	1-1/2	C (Med. Temp.)	3/8" X 1/2" ODF	External	No	5 Ft.	Angle	No	HFES 1-1/2HC-01	055495
	1-1/2	C (Med. Temp.)	3/8" X 1/2" ODF	External	No	5 Ft.	Straight Thru	No	HFES 1-1/2HC-02	055863
	1-1/2	C (Med. Temp.)	3/8" X 1/2" ODF	External	No	5 Ft.	Angle	Yes	HFESC 1-1/2HC-01	057292
	1-1/2	C (Med. Temp.)	3/8" X 1/2" SAE	Internal	No	5 Ft.	Angle	No	HF 1-1/2HC-01	054933
	1-1/2	C (Med. Temp.)	3/8" X 1/2" ODF	Internal	No	5 Ft.	Angle	No	HFS 1-1/2HC-01	055969
	1-1/2	C (Med. Temp.)	3/8" X 1/2" ODF	Internal	No	5 Ft.	Straight Thru	No	HFS 1-1/2HC-02	056018
	1-1/2	Z (Low Temp.)	3/8" X 1/2" SAE	External	No	5 Ft.	Angle	No	HFE 1-1/2HZ-01	054937
	1-1/2	Z (Low Temp.)	3/8" X 1/2" ODF	External	No	5 Ft.	Straight Thru	No	HFES 1-1/2HZ-01	055870
1-1/2	Z (Low Temp.)	3/8" X 1/2" ODF	External	No	5 Ft.	Angle	Yes	HFESC 1-1/2HZ-01	057321	
2	C (Med. Temp.)	3/8" X 1/2" SAE	External	No	5 Ft.	Angle	No	HFE 2HC-01	054942	
2	C (Med. Temp.)	3/8" X 1/2" ODF	External	No	5 Ft.	Angle	No	HFES 2HC-01	054946	
2	C (Med. Temp.)	3/8" X 1/2" ODF	External	No	5 Ft.	Straight Thru	No	HFES 2HC-02	055706	
2	C (Med. Temp.)	3/8" X 1/2" ODF	External	No	5 Ft.	Angle	Yes	HFESC 2HC-01	057294	
2	C (Med. Temp.)	3/8" X 1/2" SAE	Internal	No	5 Ft.	Angle	No	HF 2HC-01	054939	
2	C (Med. Temp.)	3/8" X 1/2" ODF	Internal	No	5 Ft.	Angle	Yes	HFSC 2HC-01	057470	
2	CA (Heat Pump)	3/8" X 1/2" ODF	External	No	5 Ft.	Straight Thru	No	HFES 2HCA-01	059670	
2	Z (Low Temp.)	3/8" X 1/2" SAE	External	No	5 Ft.	Angle	No	HFE 2HZ-01	054943	

SYSTEM REFRIGERANT CODE	CAPACITY (NOMINAL TONNAGE)	CHARGE CODE	INLET X OUTLET CONNECTION	EQUALIZER	BLEED	CAP LENGTH	BODY DESIGN	STRAINER	MODEL NUMBER	ITEM NUMBER
H (R-22) *R-407C	2	Z (Low Temp.)	3/8" X 1/2" ODF	External	No	5 Ft.	Angle	Yes	HFESC 2HZ-01	057433
	2	Z (Low Temp.)	3/8" X 1/2" SAE	Internal	No	5 Ft.	Angle	No	HF 2HZ-01	054940
	2-1/2	C (Med. Temp.)	3/8" X 1/2" SAE	External	No	5 Ft.	Angle	No	HFE 2-1/2HC-01	054950
	2-1/2	C (Med. Temp.)	3/8" X 1/2" ODF	External	No	5 Ft.	Straight Thru	No	HFES 2-1/2HC-01	055931
	2-1/2	C (Med. Temp.)	3/8" X 1/2" ODF	External	No	5 Ft.	Angle	No	HFES 2-1/2HC-02	056042
	2-1/2	C (Med. Temp.)	3/8" X 1/2" ODF	External	No	5 Ft.	Angle	Yes	HFESC 2-1/2HC-01	057411
	2-1/2	C (Med. Temp.)	3/8" X 1/2" SAE	Internal	No	5 Ft.	Angle	No	HF 2-1/2HC-01	054947
	2-1/2	Z (Low Temp.)	3/8" X 1/2" ODF	External	No	5 Ft.	Angle	Yes	HFESC 2-1/2HZ-01	057434
	3	C (Med. Temp.)	3/8" X 1/2" SAE	External	No	5 Ft.	Angle	No	HFE 3HC-01	053317
	3	C (Med. Temp.)	3/8" X 1/2" ODF	External	No	5 Ft.	Straight Thru	No	HFES 3HC-01	053916
	3	C (Med. Temp.)	3/8" X 1/2" ODF	External	No	5 Ft.	Angle	No	HFES 3HC-02	054756
	3	C (Med. Temp.)	3/8" X 1/2" ODF	External	No	5 Ft.	Angle	Yes	HFESC 3HC-01	057412
	3	C (Med. Temp.)	3/8" X 1/2" SAE	Internal	No	5 Ft.	Angle	No	HF 3HC-01	053316
	3	C (Med. Temp.)	3/8" X 1/2" ODF	Internal	No	5 Ft.	Straight Thru	No	HFS 3HC-01	053915
	3	CA (Heat Pump)	1/2" X 5/8" ODF	External	No	5 Ft.	Straight Thru	No	HFES 3HCA-01	061730
	3	Z (Low Temp.)	3/8" X 1/2" SAE	External	No	5 Ft.	Angle	No	HFE 3HZ-01	053191
	3	Z (Low Temp.)	3/8" X 1/2" ODF	External	No	5 Ft.	Angle	Yes	HFESC 3HZ-01	057748
	3	Z (Low Temp.)	1/2" X 5/8" ODF	External	No	5 Ft.	Angle	No	HFES 3HZ-02	064761
	5-1/2	C (Med. Temp.)	3/8" X 1/2" SAE	External	No	5 Ft.	Angle	No	HFE 5-1/2HC-01	054140
	5-1/2	C (Med. Temp.)	3/8" X 1/2" ODF	External	No	5 Ft.	Straight Thru	No	HFES 5-1/2HC-01	054141
	5-1/2	C (Med. Temp.)	3/8" X 1/2" ODF	External	No	5 Ft.	Angle	Yes	HFESC 5-1/2HC-01	057781
	5-1/2	C (Med. Temp.)	1/2" X 5/8" ODF	External	No	5 Ft.	Straight Thru	No	HFES 5-1/2HC-02	054778
	5-1/2	C (Med. Temp.)	1/2" X 7/8" ODF	External	No	5 Ft.	Straight Thru	No	HFES 5-1/2HC-04	055187
	5-1/2	C (Med. Temp.)	5/8" X 7/8" ODF	External	No	5 Ft.	Straight Thru	No	HFES 5-1/2HC-03	054779
	5-1/2	CA (Heat Pump)	3/8" X 1/2" ODF	External	No	5 Ft.	Straight Thru	No	HFES 5-1/2HCA-03	065649
	5-1/2	CA (Heat Pump)	1/2" X 5/8" ODF	External	No	5 Ft.	Straight Thru	No	HFES 5-1/2HCA-02	057378
	5-1/2	Z (Low Temp.)	3/8" X 1/2" SAE	External	No	5 Ft.	Angle	No	HFE 5-1/2HZ-01	054777
	5-1/2	Z (Low Temp.)	3/8" X 1/2" ODF	External	No	5 Ft.	Straight Thru	No	HFES 5-1/2HZ-02	054780
	8	C (Med. Temp.)	1/2" X 5/8" ODF	External	No	5 Ft.	Straight Thru	No	HFES 8HC-01	057312
	8	C (Med. Temp.)	5/8" X 7/8" ODF	External	No	5 Ft.	Straight Thru	No	HFES 8HC-02	057313
	8	C (Med. Temp.)	5/8" X 7/8" ODF	External	No	5 Ft.	Angle	Yes	HFESC 8HC-01	058609
	8	CA (Heat Pump)	1/2" X 7/8" ODF	External	No	5 Ft.	Straight Thru	No	HFES 8HCA-04	056818
	8	CA (Heat Pump)	5/8" X 7/8" ODF	External	No	5 Ft.	Straight Thru	No	HFES 8HCA-05	056819
	8	W100 (MOP)	5/8" X 7/8" ODF	External	No	5 Ft.	Straight Thru	No	HFES 8HW100-01	057354
	10	C (Med. Temp.)	1/2" X 5/8" ODF	External	No	5 Ft.	Straight Thru	No	HFES 10HC-02	057315
	10	C (Med. Temp.)	5/8" X 7/8" ODF	External	No	5 Ft.	Straight Thru	No	HFES 10HC-01	057256
	10	C (Med. Temp.)	7/8" X 1-1/8" ODF	External	No	5 Ft.	Straight Thru	No	HFES 10HC-03	057316
	10	CA (Heat Pump)	5/8" X 7/8" ODF	External	No	5 Ft.	Straight Thru	No	HFES 10HCA-05	056820
	10	CA (Heat Pump)	5/8" X 1-1/8" ODF	External	No	5 Ft.	Straight Thru	No	HFES 10HCA-06	056821
	10	W100 (MOP)	5/8" X 7/8" ODF	External	No	5 Ft.	Straight Thru	No	HFES 10HW100-01	058159
	12	C (Med. Temp.)	5/8" X 7/8" ODF	External	No	5 Ft.	Straight Thru	No	HFES 12HC-01	062737
	15	C (Med. Temp.)	5/8" X 7/8" ODF	External	No	5 Ft.	Straight Thru	No	HFES 15HC-01	057317
	15	C (Med. Temp.)	7/8" X 1-1/8" ODF	External	No	5 Ft.	Straight Thru	No	HFES 15HC-02	057318
	15	CA (Heat Pump)	5/8" X 7/8" ODF	External	No	5 Ft.	Straight Thru	No	HFES 15HCA-07	056823
	15	CA (Heat Pump)	5/8" X 1-1/8" ODF	External	No	5 Ft.	Straight Thru	No	HFES 15HCA-08	056824
	15	CA (Heat Pump)	7/8" X 1-1/8" ODF	External	No	5 Ft.	Straight Thru	No	HFES 15HCA-09	056825
	20	C (Med. Temp.)	7/8" X 1-1/8" ODF	External	No	5 Ft.	Straight Thru	No	HFES 20HC-01	062055
	20	CA (Heat Pump)	7/8" X 1-1/8" ODF	External	No	5 Ft.	Straight Thru	No	HFES 20HCA-04	058490
20	CA (Heat Pump)	7/8" X 1-3/8" ODF	External	No	5 Ft.	Straight Thru	No	HFES 20HCA-05	060646	
M (R-134a) *R-12	1/4	C (Med. Temp.)	3/8" X 1/2" SAE	External	No	30 In.	Angle	No	HFE 1/4MC-01	057860
	1/4	C (Med. Temp.)	3/8" X 1/2" ODF	External	No	5 Ft.	Angle	Yes	HFESC 1/4MC-01	057572
	1/4	C (Med. Temp.)	3/8" X 1/2" SAE	Internal	No	5 Ft.	Angle	No	HF 1/4MC-01	057618
	1/4	C (Med. Temp.)	3/8" X 1/2" ODF	Internal	No	5 Ft.	Angle	No	HFS 1/4MC-01	058545
	1/4	C (Med. Temp.)	3/8" X 1/2" ODF	Internal	No	5 Ft.	Angle	Yes	HFESC 1/4MC-01	057573
	1/2	C (Med. Temp.)	3/8" X 1/2" SAE	External	No	5 Ft.	Angle	No	HFE 1/2MC-01	057616
1/2	C (Med. Temp.)	3/8" X 1/2" ODF	External	No	5 Ft.	Straight Thru	No	HFES 1/2MC-01	065645	

SYSTEM REFRIGERANT CODE	CAPACITY (NOMINAL TONNAGE)	CHARGE CODE	INLET X OUTLET CONNECTION	EQUALIZER	BLEED	CAP LENGTH	BODY DESIGN	STRAINER	MODEL NUMBER	ITEM NUMBER
M (R-134a) *R-12	1/2	C (Med. Temp.)	3/8" X 1/2" ODF	External	No	5 Ft.	Angle	Yes	HFESC 1/2MC-01	058069
	1/2	C (Med. Temp.)	3/8" X 1/2" SAE	Internal	No	5 Ft.	Angle	No	HF 1/2MC-01	057620
	1/2	C (Med. Temp.)	3/8" X 1/2" ODF	Internal	No	5 Ft.	Straight Thru	No	HFS 1/2MC-01	058100
	1/2	C (Med. Temp.)	3/8" X 1/2" ODF	Internal	No	5 Ft.	Angle	Yes	HFSC 1/2MC-01	058067
	3/4	C (Med. Temp.)	3/8" X 1/2" SAE	External	No	30 In.	Angle	No	HFE 3/4MC-01	057861
	3/4	C (Med. Temp.)	3/8" X 1/2" ODF	External	No	5 Ft.	Angle	No	HFES 3/4MC-01	057784
	3/4	C (Med. Temp.)	3/8" X 1/2" ODF	External	No	5 Ft.	Straight Thru	No	HFES 3/4MC-02	059422
	1	C (Med. Temp.)	3/8" X 1/2" SAE	External	No	5 Ft.	Angle	No	HFE 1MC-01	057617
	1	C (Med. Temp.)	3/8" X 1/2" ODF	External	No	5 Ft.	Angle	No	HFES 1MC-01	058546
	1	C (Med. Temp.)	3/8" X 1/2" ODF	External	No	5 Ft.	Straight Thru	No	HFES 1MC-02	065646
	1	C (Med. Temp.)	3/8" X 1/2" ODF	External	No	5 Ft.	Angle	Yes	HFESC 1MC-01	057570
	1	C (Med. Temp.)	3/8" X 1/2" SAE	Internal	No	5 Ft.	Angle	No	HF 1MC-01	057619
	1	C (Med. Temp.)	3/8" X 1/2" ODF	Internal	No	5 Ft.	Straight Thru	No	HFS 1MC-01	065641
	1-1/2	C (Med. Temp.)	3/8" X 1/2" SAE	External	No	5 Ft.	Angle	No	HFE 1-1/2MC-01	057895
	1-1/2	C (Med. Temp.)	3/8" X 1/2" ODF	External	No	5 Ft.	Angle	Yes	HFESC 1-1/2MC-01	057568
	1-3/4	C (Med. Temp.)	3/8" X 1/2" SAE	External	No	5 Ft.	Angle	No	HFE 1-3/4MC-01	057896
	1-3/4	C (Med. Temp.)	3/8" X 1/2" ODF	External	No	5 Ft.	Straight Thru	No	HFES 1-3/4MC-01	058152
	1-3/4	C (Med. Temp.)	3/8" X 1/2" ODF	External	No	5 Ft.	Straight Thru	No	HFES 1-3/4MC-02	065647
	2-1/2	C (Med. Temp.)	3/8" X 1/2" ODF	External	No	5 Ft.	Angle	Yes	HFESC 2-1/2MC-01	058421
	4	C (Med. Temp.)	3/8" X 1/2" SAE	External	No	5 Ft.	Angle	No	HFE 4MC-01	057897
	4	C (Med. Temp.)	1/2" X 5/8" ODF	External	No	5 Ft.	Straight Thru	No	HFES 4MC-01	058680
	6	C (Med. Temp.)	5/8" X 7/8" ODF	External	No	5 Ft.	Straight Thru	No	HFES 6MC-01	057903
	7-1/2	C (Med. Temp.)	5/8" X 7/8" ODF	External	No	5 Ft.	Straight Thru	No	HFES 7-1/2MC-01	057904
	11	C (Med. Temp.)	5/8" X 7/8" ODF	External	No	5 Ft.	Straight Thru	No	HFES 11MC-02	057906
11	C (Med. Temp.)	7/8" X 1-1/8" ODF	External	No	5 Ft.	Straight Thru	No	HFES 11MC-03	058681	
14	C (Med. Temp.)	7/8" X 1-3/8" ODF	External	No	5 Ft.	Straight Thru	No	HFES 14MC-02	064000	
R (R-502) *R-404A *R-507	1/4	C (Med. Temp.)	1/4" X 1/2" SAE	Internal	No	5 Ft.	Angle	No	HF 1/4RC-02	059304
	1/4	C (Med. Temp.)	3/8" X 1/2" SAE	External	No	5 Ft.	Angle	No	HFE 1/4RC-01	054366
	1/4	C (Med. Temp.)	3/8" X 1/2" ODF	External	No	5 Ft.	Angle	No	HFES 1/4RC-01	055092
	1/4	C (Med. Temp.)	3/8" X 1/2" ODF	External	No	5 Ft.	Angle	Yes	HFESC 1/4RC-01	057436
	1/4	C (Med. Temp.)	3/8" X 1/2" SAE	Internal	No	5 Ft.	Angle	No	HF 1/4RC-01	054137
	1/4	C (Med. Temp.)	3/8" X 1/2" ODF	Internal	No	5 Ft.	Angle	No	HFS 1/4RC-01	055490
	1/4	C (Med. Temp.)	3/8" X 1/2" ODF	Internal	No	5 Ft.	Angle	Yes	HFSC 1/4RC-01	057487
	1/4	W45 (MOP)	3/8" X 1/2" SAE	External	No	5 Ft.	Angle	No	HFE 1/4RW45-01	054963
	1/4	Z (Low Temp.)	1/4" X 3/8" ODF	Internal	No	5 Ft.	Straight Thru	No	HFS 1/4RZ-01	055792
	1/4	Z (Low Temp.)	3/8" X 1/2" SAE	External	No	5 Ft.	Angle	No	HFE 1/4RZ-01	054370
	1/4	Z (Low Temp.)	3/8" X 1/2" ODF	External	No	5 Ft.	Angle	No	HFES 1/4RZ-01	055491
	1/4	Z (Low Temp.)	3/8" X 1/2" ODF	External	No	5 Ft.	Angle	Yes	HFESC 1/4RZ-01	057454
	1/4	Z (Low Temp.)	3/8" X 1/2" SAE	Internal	No	5 Ft.	Angle	No	HF 1/4RZ-01	054369
	1/4	Z (Low Temp.)	3/8" X 1/2" ODF	Internal	No	5 Ft.	Straight Thru	No	HFS 1/4RZ-02	056228
	1/4	Z (Low Temp.)	3/8" X 1/2" ODF	Internal	No	5 Ft.	Angle	Yes	HFSC 1/4RZ-01	057484
	1/2	C (Med. Temp.)	3/8" X 1/2" SAE	External	No	5 Ft.	Angle	No	HFE 1/2RC-01	054967
	1/2	C (Med. Temp.)	3/8" X 1/2" ODF	External	No	5 Ft.	Angle	No	HFES 1/2RC-01	055992
	1/2	C (Med. Temp.)	3/8" X 1/2" ODF	External	No	5 Ft.	Straight Thru	No	HFES 1/2RC-02	056022
	1/2	C (Med. Temp.)	3/8" X 1/2" ODF	External	No	5 Ft.	Angle	Yes	HFESC 1/2RC-01	057437
	1/2	C (Med. Temp.)	3/8" X 1/2" SAE	Internal	No	5 Ft.	Angle	No	HF 1/2RC-01	054964
	1/2	C (Med. Temp.)	3/8" X 1/2" ODF	Internal	No	5 Ft.	Angle	Yes	HFSC 1/2RC-01	057488
	1/2	W45 (MOP)	3/8" X 1/2" SAE	External	No	5 Ft.	Angle	No	HFE 1/2RW45-01	054969
	1/2	W45 (MOP)	3/8" X 1/2" ODF	External	No	5 Ft.	Angle	No	HFES 1/2RW45-01	055996
	1/2	W45 (MOP)	3/8" X 1/2" ODF	External	No	5 Ft.	Angle	Yes	HFESC 1/2RW45-01	057443
	1/2	W45 (MOP)	3/8" X 1/2" SAE	Internal	No	5 Ft.	Angle	No	HF 1/2RW45-01	054966
	1/2	Z (Low Temp.)	3/8" X 1/2" SAE	External	No	5 Ft.	Angle	No	HFE 1/2RZ-01	054968
	1/2	Z (Low Temp.)	3/8" X 1/2" ODF	External	No	5 Ft.	Angle	No	HFES 1/2RZ-01	055497
	1/2	Z (Low Temp.)	3/8" X 1/2" ODF	External	No	5 Ft.	Straight Thru	No	HFES 1/2RZ-02	056024
	1/2	Z (Low Temp.)	3/8" X 1/2" ODF	External	No	5 Ft.	Angle	Yes	HFESC 1/2RZ-01	057455
	1/2	Z (Low Temp.)	3/8" X 1/2" SAE	Internal	No	5 Ft.	Angle	No	HF 1/2RZ-01	054965

SYSTEM REFRIGERANT CODE	CAPACITY (NOMINAL TONNAGE)	CHARGE CODE	INLET X OUTLET CONNECTION	EQUALIZER	BLEED	CAP LENGTH	BODY DESIGN	STRAINER	MODEL NUMBER	ITEM NUMBER
R (R-502) *R-404A *R-507	1/2	Z (Low Temp.)	3/8" X 1/2" ODF	Internal	No	5 Ft.	Angle	No	HFS 1/2RZ-01	055874
	1/2	Z (Low Temp.)	3/8" X 1/2" ODF	Internal	No	5 Ft.	Straight Thru	No	HFS 1/2RZ-02	056008
	1/2	Z (Low Temp.)	3/8" X 1/2" ODF	Internal	No	5 Ft.	Angle	Yes	HFSC 1/2RZ-01	057485
	1	C (Med. Temp.)	3/8" X 1/2" SAE	External	No	5 Ft.	Angle	No	HFE 1RC-01	054979
	1	C (Med. Temp.)	3/8" X 1/2" ODF	External	No	5 Ft.	Angle	No	HFES 1RC-01	054983
	1	C (Med. Temp.)	3/8" X 1/2" ODF	External	No	5 Ft.	Straight Thru	No	HFES 1RC-02	056029
	1	C (Med. Temp.)	3/8" X 1/2" ODF	External	No	5 Ft.	Angle	Yes	HFESC 1RC-01	057438
	1	C (Med. Temp.)	3/8" X 1/2" SAE	Internal	No	5 Ft.	Angle	No	HF 1RC-01	054976
	1	C (Med. Temp.)	3/8" X 1/2" ODF	Internal	No	5 Ft.	Angle	Yes	HFSC 1RC-01	057489
	1	W45 (MOP)	3/8" X 1/2" SAE	External	No	5 Ft.	Angle	No	HFE 1RW45-01	054981
	1	W45 (MOP)	3/8" X 1/2" ODF	External	No	5 Ft.	Straight Thru	No	HFES 1RW45-01	055948
	1	W45 (MOP)	3/8" X 1/2" ODF	External	No	5 Ft.	Angle	Yes	HFESC 1RW45-01	057446
	1	W45 (MOP)	3/8" X 1/2" SAE	Internal	No	5 Ft.	Angle	No	HF 1RW45-01	054978
	1	Z (Low Temp.)	3/8" X 1/2" SAE	External	No	5 Ft.	Angle	No	HFE 1RZ-01	054980
	1	Z (Low Temp.)	3/8" X 1/2" ODF	External	No	5 Ft.	Angle	No	HFES 1RZ-01	055496
	1	Z (Low Temp.)	3/8" X 1/2" ODF	External	No	5 Ft.	Straight Thru	No	HFES 1RZ-02	056225
	1	Z (Low Temp.)	3/8" X 1/2" ODF	External	No	5 Ft.	Angle	Yes	HFESC 1RZ-01	057456
	1	Z (Low Temp.)	3/8" X 1/2" SAE	Internal	No	5 Ft.	Angle	No	HF 1RZ-01	054977
	1	Z (Low Temp.)	3/8" X 1/2" ODF	Internal	No	5 Ft.	Angle	Yes	HFSC 1RZ-01	057486
	1-1/2	C (Med. Temp.)	3/8" X 1/2" SAE	External	No	5 Ft.	Angle	No	HFE 1-1/2RC-01	054988
	1-1/2	C (Med. Temp.)	3/8" X 1/2" ODF	External	No	5 Ft.	Angle	No	HFES 1-1/2RC-01	055657
	1-1/2	C (Med. Temp.)	3/8" X 1/2" ODF	External	No	5 Ft.	Straight Thru	No	HFES 1-1/2RC-02	056031
	1-1/2	C (Med. Temp.)	3/8" X 1/2" ODF	External	No	5 Ft.	Angle	Yes	HFESC 1-1/2RC-01	057439
	1-1/2	C (Med. Temp.)	3/8" X 1/2" SAE	Internal	No	5 Ft.	Angle	No	HF 1-1/2RC-01	054984
	1-1/2	W45 (MOP)	3/8" X 1/2" SAE	External	No	5 Ft.	Angle	No	HFE 1-1/2RW45-01	054990
	1-1/2	W45 (MOP)	3/8" X 1/2" ODF	External	No	5 Ft.	Angle	No	HFES 1-1/2RW45-01	055991
	1-1/2	W45 (MOP)	3/8" X 1/2" ODF	External	No	5 Ft.	Straight Thru	No	HFES 1-1/2RW45-02	056032
	1-1/2	W45 (MOP)	3/8" X 1/2" ODF	External	No	5 Ft.	Angle	Yes	HFESC 1-1/2RW45-01	057448
	1-1/2	Z (Low Temp.)	3/8" X 1/2" SAE	External	No	5 Ft.	Angle	No	HFE 1-1/2RZ-01	054989
	1-1/2	Z (Low Temp.)	3/8" X 1/2" ODF	External	No	5 Ft.	Angle	No	HFES 1-1/2RZ-01	055498
	1-1/2	Z (Low Temp.)	3/8" X 1/2" ODF	External	No	5 Ft.	Straight Thru	No	HFES 1-1/2RZ-02	055878
	1-1/2	Z (Low Temp.)	3/8" X 1/2" ODF	External	No	5 Ft.	Angle	Yes	HFESC 1-1/2RZ-01	057322
	1-1/2	Z (Low Temp.)	3/8" X 1/2" SAE	Internal	No	5 Ft.	Angle	No	HF 1-1/2RZ-01	054986
	2	C (Med. Temp.)	3/8" X 1/2" SAE	External	No	5 Ft.	Angle	No	HFE 2RC-01	053070
	2	C (Med. Temp.)	3/8" X 1/2" ODF	External	No	5 Ft.	Straight Thru	No	HFES 2RC-02	053270
	2	C (Med. Temp.)	3/8" X 1/2" ODF	External	No	5 Ft.	Angle	No	HFES 2RC-03	054768
	2	C (Med. Temp.)	3/8" X 1/2" ODF	External	No	5 Ft.	Angle	Yes	HFESC 2RC-01	057440
	2	C (Med. Temp.)	3/8" X 1/2" SAE	Internal	No	5 Ft.	Angle	No	HF 2RC-01	053061
	2	W45 (MOP)	3/8" X 1/2" SAE	External	No	5 Ft.	Angle	No	HFE 2RW45-01	054992
	2	Z (Low Temp.)	3/8" X 1/2" SAE	External	No	5 Ft.	Angle	No	HFE 2RZ-01	053071
	2	Z (Low Temp.)	3/8" X 1/2" ODF	External	No	5 Ft.	Straight Thru	No	HFES 2RZ-01	053271
	2	Z (Low Temp.)	3/8" X 1/2" ODF	External	No	5 Ft.	Angle	No	HFES 2RZ-02	054844
	2	Z (Low Temp.)	3/8" X 1/2" ODF	External	No	5 Ft.	Angle	Yes	HFESC 2RZ-01	057457
	3-1/2	C (Med. Temp.)	3/8" X 1/2" SAE	External	No	5 Ft.	Angle	No	HFE 3-1/2RC-01	054142
	3-1/2	C (Med. Temp.)	3/8" X 1/2" ODF	External	No	5 Ft.	Straight Thru	No	HFES 3-1/2RC-01	054143
	3-1/2	C (Med. Temp.)	3/8" X 1/2" ODF	External	No	5 Ft.	Angle	Yes	HFESC 3-1/2RC-01	057441
	3-1/2	C (Med. Temp.)	3/8" X 1/2" SAE	Internal	No	5 Ft.	Angle	No	HF 3-1/2RC-01	055936
	3-1/2	C (Med. Temp.)	1/2" X 5/8" ODF	External	No	5 Ft.	Straight Thru	No	HFES 3-1/2RC-02	054783
	3-1/2	W 45 (MOP)	1/2" X 5/8" ODF	External	No	5 Ft.	Straight Thru	No	HFES 3-1/2RW45-01	058907
	3-1/2	Z (Low Temp.)	3/8" X 1/2" SAE	External	No	5 Ft.	Angle	No	HFE 3-1/2RZ-01	054145
	3-1/2	Z (Low Temp.)	3/8" X 1/2" ODF	External	No	5 Ft.	Straight Thru	No	HFES 3-1/2RZ-01	054784
	3-1/2	Z (Low Temp.)	3/8" X 1/2" ODF	External	No	5 Ft.	Angle	Yes	HFESC 3-1/2RZ-01	057458
	3-1/2	Z (Low Temp.)	1/2" X 5/8" ODF	External	No	5 Ft.	Straight Thru	No	HFES 3-1/2RZ-02	054785
	5	C (Med. Temp.)	3/8" X 1/2" ODF	External	No	5 Ft.	Straight Thru	No	HFES 5RC-02	058875
	5	C (Med. Temp.)	3/8" X 1/2" ODF	External	No	5 Ft.	Angle	Yes	HFESC 5RC-01	058595
	5	C (Med. Temp.)	5/8" X 7/8" ODF	External	No	5 Ft.	Straight Thru	No	HFES 5RC-01	058608

SYSTEM REFRIGERANT CODE	CAPACITY (NOMINAL TONNAGE)	CHARGE CODE	INLET X OUTLET CONNECTION	EQUALIZER	BLEED	CAP LENGTH	BODY DESIGN	STRAINER	MODEL NUMBER	ITEM NUMBER
R (R-502) *R-404A *R-507	5	W45 (MOP)	5/8" X 7/8" ODF	External	No	5 Ft.	Straight Thru	No	HFES 5RW45-01	058305
	5	Z (Low Temp.)	1/2" X 5/8" ODF	External	No	5 Ft.	Straight Thru	No	HFES 5RZ-02	061196
	5	Z (Low Temp.)	1/2" X 7/8" ODF	External	No	5 Ft.	Straight Thru	No	HFES 5RZ-01	059624
	5	Z (Low Temp.)	5/8" X 7/8" ODF	External	No	5 Ft.	Angle	Yes	HFESC 5RZ-01	059654
	7	C (Med. Temp.)	5/8" X 7/8" ODF	External	No	5 Ft.	Straight Thru	No	HFES 7RC-01	058607
	7	W45 (MOP)	5/8" X 7/8" ODF	External	No	5 Ft.	Straight Thru	No	HFES 7RW45-01	059291
S (R-404A) *R-502 *R-507	10	C (Med. Temp.)	5/8" X 7/8" ODF	External	No	5 Ft.	Straight Thru	No	HFES 10RC-01	058808
	1/8	C (Med. Temp.)	3/8" X 1/2" ODF	Internal	No	5 Ft.	Angle	Yes	HFSC 1/8SC-01	058248
	1/8	W45 (MOP)	1/4" X 1/2" ODF	Internal	No	30 In.	Angle	Yes	HFSC 1/8SW45-01	066552
	1/8	Z (Low Temp.)	1/4" X 1/2" ODF	Internal	No	30 In.	Angle	Yes	HFSC 1/8SZ-01	066553
	1/4	C (Med. Temp.)	1/4" X 1/2" ODF	Internal	No	30 In.	Straight Thru	No	HFS 1/4SC-01	066516
	1/4	C (Med. Temp.)	1/4" X 1/2" SAE	Internal	No	5 Ft.	Angle	No	HF 1/4SC-01	066039
	1/4	C (Med. Temp.)	3/8" X 1/2" ODF	External	No	30 In.	Straight Thru	No	HFES 1/4SC-01	066533
	1/4	C (Med. Temp.)	3/8" X 1/2" ODF	External	No	30 In.	Angle	Yes	HFESC 1/4SC-02	066539
	1/4	C (Med. Temp.)	3/8" X 1/2" ODF	Internal	No	5 Ft.	Angle	Yes	HFSC 1/4SC-01	058249
	1/4	W45 (MOP)	1/4" X 1/2" ODF	External	No	30 In.	Angle	Yes	HFESC 1/4SW45-01	066540
	1/4	W45 (MOP)	1/4" X 1/2" ODF	Internal	No	30 In.	Straight Thru	No	HFS 1/4SW45-01	066517
	1/4	W45 (MOP)	1/4" X 1/2" ODF	Internal	No	30 In.	Angle	Yes	HFSC 1/4SW45-01	066554
	1/4	W45 (MOP)	3/8" X 1/2" SAE	External	No	5 Ft.	Angle	No	HFE 1/4SW45-01	066623
	1/4	W45 (MOP)	3/8" X 1/2" ODF	External	No	5 Ft.	Straight Thru	No	HFES 1/4SW45-01	065734
	1/4	Z (Low Temp.)	1/4" X 1/2" ODF	External	No	30 In.	Angle	Yes	HFESC 1/4SZ-02	066542
	1/4	Z (Low Temp.)	1/4" X 1/2" ODF	Internal	No	30 In.	Straight Thru	No	HFS 1/4SZ-02	066518
	1/4	Z (Low Temp.)	1/4" X 1/2" ODF	Internal	No	30 In.	Angle	Yes	HFSC 1/4SZ-01	066555
	1/4	Z (Low Temp.)	3/8" X 1/2" ODF	External	No	5 Ft.	Straight Thru	No	HFES 1/4SZ-01	065733
	1/4	Z (Low Temp.)	3/8" X 1/2" ODF	External	No	5 Ft.	Angle	Yes	HFESC 1/4SZ-01	058194
	1/2	C (Med. Temp.)	1/4" X 1/2" ODF	External	No	30 In.	Angle	Yes	HFESC 1/2SC-03	066543
	1/2	C (Med. Temp.)	1/4" X 1/2" ODF	Internal	No	30 In.	Straight Thru	No	HFS 1/2SC-01	066519
	1/2	C (Med. Temp.)	3/8" X 1/2" SAE	External	No	5 Ft.	Angle	No	HFE 1/2SC-01	062147
	1/2	C (Med. Temp.)	3/8" X 1/2" ODF	External	No	5 Ft.	Angle	No	HFES 1/2SC-01	058975
	1/2	C (Med. Temp.)	3/8" X 1/2" ODF	External	No	5 Ft.	Angle	Yes	HFESC 1/2SC-02	058141
	1/2	W45 (MOP)	1/4" X 1/2" ODF	External	No	30 In.	Angle	Yes	HFESC 1/2SW45-02	066544
	1/2	W45 (MOP)	1/4" X 1/2" ODF	Internal	No	30 In.	Straight Thru	No	HFS 1/2SW45-01	066520
	1/2	W45 (MOP)	1/4" X 1/2" ODF	Internal	No	30 In.	Angle	Yes	HFSC 1/2SW45-01	066556
	1/2	W45 (MOP)	3/8" X 1/2" SAE	External	No	5 Ft.	Angle	No	HFE 1/2SW45-01	066040
	1/2	W45 (MOP)	3/8" X 1/2" ODF	External	No	5 Ft.	Straight Thru	No	HFES 1/2SW45-01	065736
	1/2	Z (Low Temp.)	1/4" X 1/2" ODF	External	No	30 In.	Angle	Yes	HFESC 1/2SZ-02	066545
	1/2	Z (Low Temp.)	1/4" X 1/2" ODF	Internal	No	30 In.	Straight Thru	No	HFS 1/2SZ-01	066521
	1/2	Z (Low Temp.)	1/4" X 1/2" ODF	Internal	No	30 In.	Angle	Yes	HFSC 1/2SZ-01	066557
	1/2	Z (Low Temp.)	3/8" X 1/2" ODF	External	No	5 Ft.	Angle	No	HFES 1/2SZ-01	058995
	1/2	Z (Low Temp.)	3/8" X 1/2" ODF	External	No	5 Ft.	Straight Thru	No	HFES 1/2SZ-02	065735
	1/2	Z (Low Temp.)	3/8" X 1/2" ODF	External	No	5 Ft.	Angle	Yes	HFESC 1/2SZ-01	058147
	1/2	Z (Low Temp.)	3/8" X 1/2" SAE	Internal	No	5 Ft.	Angle	No	HF 1/2SZ-01	066037
	1/2	C (Med. Temp.)	3/8" X 1/2" ODF	Internal	No	5 Ft.	Angle	Yes	HFSC 1/2SC-01	058250
	1	C (Med. Temp.)	3/8" X 1/2" SAE	External	No	5 Ft.	Angle	No	HFE 1SC-01	062148
	1	C (Med. Temp.)	3/8" X 1/2" ODF	External	No	5 Ft.	Angle	No	HFES 1SC-01	058976
	1	C (Med. Temp.)	3/8" X 1/2" ODF	External	No	5 Ft.	Straight Thru	No	HFES 1SC-02	065650
	1	C (Med. Temp.)	3/8" X 1/2" ODF	External	No	5 Ft.	Angle	Yes	HFESC 1SC-01	058135
	1	C (Med. Temp.)	3/8" X 1/2" ODF	Internal	No	5 Ft.	Angle	Yes	HFSC 1SC-01	058251
	1	C (Med. Temp.)	3/8" X 1/2" ODF	Internal	No	5 Ft.	Straight Thru	No	HFS 1SC-01	065643
	1	W45 (MOP)	3/8" X 1/2" SAE	External	No	5 Ft.	Angle	No	HFE 1SW45-01	066624
	1	W45 (MOP)	3/8" X 1/2" ODF	External	No	5 Ft.	Angle	No	HFES 1SW45-01	059086
	1	W45 (MOP)	3/8" X 1/2" ODF	External	No	5 Ft.	Straight Thru	No	HFES 1SW45-02	065651
1	W45 (MOP)	3/8" X 1/2" ODF	External	No	5 Ft.	Angle	Yes	HFESC 1SW45-01	058157	
1	W45 (MOP)	3/8" X 1/2" ODF	Internal	No	5 Ft.	Straight Thru	No	HFS 1SW45-01	066522	
1	W45 (MOP)	3/8" X 1/2" ODF	Internal	No	5 Ft.	Angle	Yes	HFSC 1SW45-01	066558	
1	Z (Low Temp.)	3/8" X 1/2" SAE	External	No	5 Ft.	Angle	No	HFE 1SZ-01	058363	

HF SERIES

THERMOSTATIC EXPANSION VALVES

SYSTEM REFRIGERANT CODE	CAPACITY (NOMINAL TONNAGE)	CHARGE CODE	INLET X OUTLET CONNECTION	EQUALIZER	BLEED	CAP LENGTH	BODY DESIGN	STRAINER	MODEL NUMBER	ITEM NUMBER
S (R-404A) *R-502 *R-507	1	Z (Low Temp.)	3/8" X 1/2" ODF	External	No	5 Ft.	Straight Thru	No	HFES 1SZ-01	064289
	1	Z (Low Temp.)	3/8" X 1/2" ODF	External	No	5 Ft.	Angle	Yes	HFESC 1SZ-01	058118
	1	Z (Low Temp.)	3/8" X 1/2" ODF	Internal	No	5 Ft.	Straight Thru	No	HFS 1SZ-01	066523
	1	Z (Low Temp.)	3/8" X 1/2" ODF	Internal	No	5 Ft.	Angle	Yes	HFSC 1SZ-01	066559
	1-1/4	C (Med. Temp.)	3/8" X 1/2" SAE	External	No	5 Ft.	Angle	No	HFE 1-1/4SC-01	062149
	1-1/4	C (Med. Temp.)	3/8" X 1/2" ODF	External	No	5 Ft.	Angle	No	HFES 1-1/4SC-01	058977
	1-1/4	C (Med. Temp.)	3/8" X 1/2" ODF	External	No	5 Ft.	Angle	Yes	HFESC 1-1/4SC-01	058206
	1-1/4	C (Med. Temp.)	3/8" X 1/2" ODF	Internal	No	5 Ft.	Angle	Yes	HFSC 1-1/4SC-01	058252
	1-1/4	W45 (MOP)	3/8" X 1/2" ODF	External	No	5 Ft.	Straight Thru	No	HFES 1-1/4SW45-01	057976
	1-1/4	W45 (MOP)	3/8" X 1/2" ODF	Internal	No	5 Ft.	Angle	Yes	HFESC 1-1/4SW45-01	066560
	1-1/4	Z (Low Temp.)	3/8" X 1/2" ODF	External	No	5 Ft.	Straight Thru	No	HFES 1-1/4SZ-01	065737
	1-1/4	Z (Low Temp.)	3/8" X 1/2" ODF	Internal	No	5 Ft.	Angle	Yes	HFSC 1-1/4SZ-01	066561
	1-1/2	C (Med. Temp.)	3/8" X 1/2" SAE	External	No	5 Ft.	Angle	No	HFE 1-1/2SC-01	058309
	1-1/2	C (Med. Temp.)	3/8" X 1/2" ODF	External	No	5 Ft.	Straight Thru	No	HFES 1-1/2SC-01	057974
	1-1/2	C (Med. Temp.)	3/8" X 1/2" ODF	External	No	5 Ft.	Angle	Yes	HFESC 1-1/2SC-01	058119
	1-1/2	W45 (MOP)	3/8" X 1/2" SAE	External	No	5 Ft.	Angle	No	HFE 1-1/2SW45-01	066625
	1-1/2	W45 (MOP)	3/8" X 1/2" ODF	External	No	5 Ft.	Straight Thru	No	HFES 1-1/2SW45-01	065738
	1-1/2	W45 (MOP)	3/8" X 1/2" ODF	External	No	5 Ft.	Angle	Yes	HFESC 1-1/2SW45-01	058136
	1-1/2	W45 (MOP)	3/8" X 1/2" ODF	Internal	No	5 Ft.	Straight Thru	No	HFS 1-1/2SW45-01	066525
	1-1/2	Z (Low Temp.)	3/8" X 1/2" ODF	External	No	5 Ft.	Straight Thru	No	HFES 1-1/2SZ-01	064290
	1-1/2	Z (Low Temp.)	3/8" X 1/2" ODF	External	No	5 Ft.	Angle	Yes	HFESC 1-1/2SZ-01	058121
	1-1/2	C (Med. Temp.)	3/8" X 1/2" ODF	Internal	No	5 Ft.	Straight Thru	No	HFS 1-1/2SC-01	066524
	1-1/2	Z (Low Temp.)	3/8" X 1/2" ODF	Internal	No	5 Ft.	Straight Thru	No	HFS 1-1/2SZ-01	066526
	2	C (Med. Temp.)	3/8" X 1/2" SAE	External	No	5 Ft.	Angle	No	HFE 2SC-01	062150
	2	C (Med. Temp.)	3/8" X 1/2" ODF	External	No	5 Ft.	Straight Thru	No	HFES 2SC-01	057958
	2	C (Med. Temp.)	3/8" X 1/2" ODF	External	No	5 Ft.	Angle	Yes	HFESC 2SC-01	058122
	2	W45 (MOP)	3/8" X 1/2" SAE	External	No	5 Ft.	Angle	No	HFE 2SW45-01	066627
	2	W45 (MOP)	3/8" X 1/2" ODF	External	No	5 Ft.	Straight Thru	No	HFES 2SW45-01	065740
	2	W45 (MOP)	3/8" X 1/2" ODF	External	No	5 Ft.	Angle	Yes	HFESC 2SW45-01	058212
	2	W45 (MOP)	3/8" X 1/2" ODF	Internal	No	5 Ft.	Straight Thru	No	HFS 2SW45-01	066528
	2	Z (Low Temp.)	3/8" X 1/2" ODF	External	No	5 Ft.	Straight Thru	No	HFES 2SZ-01	065739
	2	Z (Low Temp.)	3/8" X 1/2" ODF	External	No	5 Ft.	Angle	Yes	HFESC 2SZ-01	058214
	2	C (Med. Temp.)	3/8" X 1/2" ODF	Internal	No	5 Ft.	Straight Thru	No	HFS 2SC-01	066527
	2	Z (Low Temp.)	3/8" X 1/2" ODF	Internal	No	5 Ft.	Straight Thru	No	HFS 2SZ-01	066529
	3-1/2	C (Med. Temp.)	3/8" X 1/2" SAE	External	No	5 Ft.	Angle	No	HFE 3-1/2SC-01	058310
	3-1/2	C (Med. Temp.)	3/8" X 1/2" ODF	External	No	5 Ft.	Straight Thru	No	HFES 3-1/2SC-02	065652
	3-1/2	C (Med. Temp.)	3/8" X 1/2" ODF	External	No	5 Ft.	Angle	Yes	HFESC 3-1/2SC-01	058071
	3-1/2	C (Med. Temp.)	3/8" X 1/2" ODF	Internal	No	5 Ft.	Straight Thru	No	HFS 3-1/2SC-01	066530
	3-1/2	C (Med. Temp.)	5/8" X 7/8" ODF	External	No	5 Ft.	Straight Thru	No	HFES 3-1/2SC-01	062151
	3-1/2	W45 (MOP)	3/8" X 1/2" ODF	External	No	5 Ft.	Angle	Yes	HFESC 3-1/2SW45-01	066547
	3-1/2	W45 (MOP)	3/8" X 1/2" ODF	Internal	No	5 Ft.	Straight Thru	No	HFS 3-1/2SW45-01	066531
	3-1/2	W45 (MOP)	1/2" X 5/8" ODF	External	No	5 Ft.	Straight Thru	No	HFES 3-1/2SW45-01	061694
	3-1/2	W45 (MOP)	1/2" X 5/8" ODF	External	No	5 Ft.	Straight Thru	No	HFES 3-1/2SW45-02	066534
	3-1/2	Z (Low Temp.)	3/8" X 1/2" SAE	External	No	5 Ft.	Angle	No	HFE 3-1/2SZ-01	063493
	3-1/2	Z (Low Temp.)	3/8" X 1/2" ODF	External	No	5 Ft.	Straight Thru	No	HFES 3-1/2SZ-01	063492
	3-1/2	Z (Low Temp.)	3/8" X 1/2" ODF	External	No	5 Ft.	Angle	Yes	HFESC 3-1/2SZ-01	066548
	3-1/2	Z (Low Temp.)	3/8" X 1/2" ODF	Internal	No	5 Ft.	Straight Thru	No	HFS 3-1/2SZ-01	066532
	5	C (Med. Temp.)	3/8" X 1/2" ODF	External	No	5 Ft.	Angle	Yes	HFESC 5SC-02	058220
	5	C (Med. Temp.)	5/8" X 7/8" ODF	External	No	5 Ft.	Straight Thru	No	HFES 5SC-01	066535
	5	W45 (MOP)	3/8" X 1/2" ODF	External	No	5 Ft.	Angle	Yes	HFESC 5SW45-01	058221
	5	W45 (MOP)	5/8" X 7/8" ODF	External	No	5 Ft.	Straight Thru	No	HFES 5SW45-01	064170
	5	Z (Low Temp.)	3/8" X 1/2" ODF	External	No	5 Ft.	Angle	Yes	HFESC 5SZ-01	066549
	5	Z (Low Temp.)	5/8" X 7/8" ODF	External	No	5 Ft.	Straight Thru	No	HFES 5SZ-01	058451
	7	C (Med. Temp.)	5/8" X 7/8" ODF	External	No	5 Ft.	Straight Thru	No	HFES 7SC-02	066536
	7	C (Med. Temp.)	5/8" X 7/8" ODF	External	No	5 Ft.	Angle	Yes	HFESC 7SC-01	065458
	7	W45 (MOP)	5/8" X 7/8" ODF	External	No	5 Ft.	Straight Thru	No	HFES 7SW45-01	066537

SYSTEM REFRIGERANT CODE	CAPACITY (NOMINAL TONNAGE)	CHARGE CODE	INLET X OUTLET CONNECTION	EQUALIZER	BLEED	CAP LENGTH	BODY DESIGN	STRAINER	MODEL NUMBER	ITEM NUMBER
S (R-404A) *R-502 *R-507	7	W45 (MOP)	5/8" X 7/8" ODF	External	No	5 Ft.	Angle	Yes	HFESC 7SW45-02	066550
	7	Z (Low Temp.)	5/8" X 7/8" ODF	External	No	5 Ft.	Straight Thru	No	HFES 7SZ-01	064291
	7	Z (Low Temp.)	5/8" X 7/8" ODF	External	No	5 Ft.	Angle	Yes	HFESC 7SZ-01	064058
	10	C (Med. Temp.)	5/8" X 7/8" ODF	External	No	5 Ft.	Straight Thru	No	HFES 10SC-02	066538
	10	C (Med. Temp.)	5/8" X 7/8" ODF	External	No	5 Ft.	Angle	Yes	HFESC 10SC-01	064219
	10	W45 (MOP)	5/8" X 7/8" ODF	External	No	5 Ft.	Straight Thru	No	HFES 10SW45-01	064195
	10	W45 (MOP)	5/8" X 7/8" ODF	External	No	5 Ft.	Angle	Yes	HFESC 10SW45-01	066551
	10	Z (Low Temp.)	5/8" X 7/8" ODF	External	No	5 Ft.	Straight Thru	No	HFES 10SZ-01	062828
T (R-290)	1/4	A (Med./Low Temp.)	1/4 X 1/2" ODF	Internal	No	5 Ft.	Angle	No	HFS 1/4TA-01	096830
	1/4	A (Med./Low Temp.)	3/8 X 1/2" ODF	External	No	5 Ft.	Straight Thru	No	HFES 1/4TA-01	096818
	1/4	A (Med./Low Temp.)	3/8 X 1/2" ODF	External	No	5 Ft.	Angle	Yes	HFESC 1/4TA-01	096825
	1/4	A (Med./Low Temp.)	3/8 X 1/2" ODF	Internal	No	5 Ft.	Angle	Yes	HFSC 1/4TA-01	096833
	1/2	A (Med./Low Temp.)	1/4 X 1/2" ODF	Internal	No	5 Ft.	Angle	No	HFS 1/2TA-01	096831
	1/2	A (Med./Low Temp.)	3/8 X 1/2" ODF	External	No	5 Ft.	Straight Thru	No	HFES 1/2TA-01	096817
	1/2	A (Med./Low Temp.)	3/8 X 1/2" ODF	External	No	5 Ft.	Angle	Yes	HFESC 1/2TA-01	096826
	1/2	A (Med./Low Temp.)	3/8 X 1/2" ODF	Internal	No	5 Ft.	Angle	Yes	HFSC 1/2TA-01	096834
	3/4	A (Med./Low Temp.)	1/4 X 1/2" ODF	Internal	No	5 Ft.	Angle	No	HFS 3/4TA-01	096832
	3/4	A (Med./Low Temp.)	3/8 X 1/2" ODF	External	No	5 Ft.	Straight Thru	No	HFES 3/4TA-01	096819
	3/4	A (Med./Low Temp.)	3/8 X 1/2" ODF	External	No	5 Ft.	Angle	Yes	HFESC 3/4TA-01	096827
	1-1/4	A (Med./Low Temp.)	3/8 X 1/2" ODF	External	No	5 Ft.	Straight Thru	No	HFES 1-1/4TA-01	096820
	1-1/4	A (Med./Low Temp.)	3/8 X 1/2" ODF	External	No	5 Ft.	Angle	Yes	HFESC 1-1/4TA-01	096828
	1-3/4	A (Med./Low Temp.)	3/8 X 1/2" ODF	External	No	5 Ft.	Angle	Yes	HFESC 1-3/4TA-01	096829
	2-1/4	A (Med./Low Temp.)	3/8 X 1/2" ODF	External	No	5 Ft.	Straight Thru	Yes	HFES 2-1/4TA-01	096822
	3	A (Med./Low Temp.)	3/8 X 1/2" ODF	External	No	5 Ft.	Straight Thru	No	HFES 3TA-01	096823
	5-1/2	A (Med./Low Temp.)	3/8 X 1/2" ODF	External	No	5 Ft.	Straight Thru	No	HFES 5-1/2TA-01	096824

* Valve capacity is for the first refrigerant listed. To determine the capacity for additional refrigerants listed, consult the nominal capacity tables for interchangeable refrigerants.

NOMINAL CAPACITY TABLES FOR INTERCHANGEABLE REFRIGERANTS IN TONS (kW): Standard Body (1/8 to 5-1/2 Tons)

R-134a	R-12	R-404A / R-507 / R-502	R-22 / R-407C
1/4 (0.9)	1/8 (0.4)	1/8 (0.4)	1/4 (0.9)
1/2 (1.8)	1/4 (0.9)	1/4 (0.9)	1/2 (1.8)
3/4 (2.6)	1/2 (1.8)	1/2 (1.8)	1 (3.5)
1 (3.5)	1 (3.5)	1 (3.5)	1-1/2 (5.3)
1-1/2 (5.3)	1-1/4 (4.4)	1-1/4 (4.4)	2 (7)
1-3/4 (6.2)	1-1/2 (5.3)	1-1/2 (5.3)	2-1/2 (8.8)
2-1/2 (8.8)	2 (7)	2 (7)	3 (10.6)
4 (14.1)	3-1/2 (12.3)	3-1/2 (12.3)	5-1/2 (19.3)

NOMINAL CAPACITY TABLES FOR INTERCHANGEABLE REFRIGERANTS IN TONS (kW): Extended Body (8 to 20 Tons)

R-134a	R-12	R-404A / R-507 / R-502	R-22 / R-407C
6 (21.1)	5 (17.6)	5 (17.6)	8 (28.1)
7-1/2 (26.4)	6 (21.1)	7 (24.6)	10 (35.2)
11 (38.7)	9 (31.7)	10 (35.2)	15 (52.8)
14 (49.2)	12 (42.2)	13 (45.7)	20 (70.3)

All capacities shown are at 100°F condensing, 40°F evaporator temperature. See Extended Capacity Tables for ratings at a wide range of conditions per AHRI standard 750.

POWER ASSEMBLY MODEL NOMENCLATURE - Example: X-26300-BA-1

SERIES	SYSTEM REFRIGERANT CODE		CHARGE CODE	CAPILLARY TUBE LENGTH CODE
X-26300	B		A	1
X-26300 = Power Element	B = R-448A / R-449A D = R-450A / R-513A F = R-12 H = R-22	M = R-134a S = R-404A T = R-290	A = Med/Low Temp. C = Medium Temp. CA = Heat Pump W(MOP) = Press. Limiting Z = Low Temp.	1 = 5 Ft. 2 = 10 Ft. 3 = 15 Ft.

HF SERIES POWER ASSEMBLIES

SYSTEM REFRIGERANT CODE	CHARGE CODE	CAP LENGTH	MODEL NUMBER	ITEM NUMBER
B (R-448A/R-449A)	A (Med/Low Temp.)	5 Ft.	X-26300BA-1	066990
D (R-450, R-513A)	A (Med/Low Temp.)	5 Ft.	X-26300DA-1	096859
F (R-12, R-134a)	C (Med Temp.)	5 Ft.	X-26300FC-1	053763
F (R-12, R-134a)	W15 (MOP)	5 Ft.	X-26300FW15-1	053769
F (R-12, R-134a)	W55 (MOP)	5 Ft.	X-26300FW55-1	063869
F (R-12, R-134a)	W35 (MOP)	5 Ft.	X-26300FW35-1	054798
F (R-12, R-134a)	Z (Low Temp.)	5 Ft.	X-26300FZ-1	053766
H (R-22, R-407C)	C (Med Temp.)	5 Ft.	X-26300HC-1	053764
H (R-22, R-407C)	CA (Heat Pump)	5 Ft.	X-26300HCA-1	057834
H (R-22, R-407C)	W100 (MOP)	5 Ft.	X-26300HW100-1	057764
H (R-22, R-407C)	W35 (MOP)	5 Ft.	X-26300HW35-1	053770
H (R-22, R-407C)	Z (Low Temp.)	5 Ft.	X-26300HZ-1	053767
M (R-134a, R-12)	C (Med Temp.)	5 Ft.	X-26300MC-1	058074
M (R-134a, R-12)	Z (Low Temp.)	5 Ft.	X-26300MZ-1	058076
S (R-404A, R-502)	C (Med Temp.)	5 Ft.	X-26300SC-1	058083
S (R-404A, R-502)	W45 (MOP)	5 Ft.	X-26300SW45-1	058085
S (R-404A, R-502)	Z (Low Temp.)	5 Ft.	X-26300SZ-1	058082
T (R-290)	A (Med/Low Temp.)	5 Ft.	X-26300TA-1	096835

HF SERIES VALVE CAGE KITS

If HF body is stamped HFK then the cage is replaceable.

CAGE CODE	R-12	R-22	R-134a	R-290	R-404A	R-448A / R-449A	R-450A / R-513A	R-507	R-502	MODEL NUMBER	ITEM NUMBER
0	1/8	1/4	1/4	1/4	1/8	1/4	1/5	1/8	1/8	KT-20299-0	064868
1	1/4	1/2	1/2	1/2	1/4	1/2	1/4	1/4	1/4	KT-20299-1	064869
2	1/2	1	3/4	3/4	1/2	1	1/2	1/2	1/2	KT-20299-2	064870
3	1	1-1/2	1	1-1/4	1	1-1/2	3/4	1	1	KT-20299-3	064871
4	1-1/4	2	1-1/2	1-3/4	1-1/4	2	1	1-1/4	1-1/4	KT-20299-4	064872
5	1-1/2	2-1/2	1-3/4	2-1/4	1-1/2	2-1/2	1-1/4	1-1/2	1-1/2	KT-20299-5	064873
6	2	3	2-1/2	3	2	3-1/2	1-3/4	2	2	KT-20299-6	064874
7	3-1/2	5-1/2	4	5-1/2	3-1/2	6	3	3-1/2	3-1/2	KT-20299-7	064875

All capacities shown are at 100°F condensing, 40°F evaporator temperature.
See Extended Capacity Tables for ratings at a wide range of conditions per ARI standard 750.

HFK SERIES BODY KITS

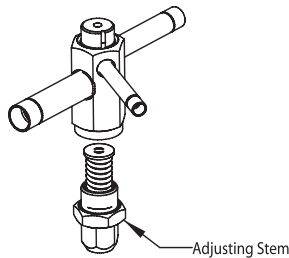
If HF body is stamped HFK then the cage is replaceable.

VALVE TYPE	CONNECTIONS	BODY STYLE	EXTERNAL EQUALIZER	MODEL NUMBER	ITEM NUMBER
HFK Body Kit	1/4" X 1/2" SAE	Angle	No	KT-20298-1	064881
HFK Body Kit	3/8" X 1/2" SAE	Angle	No	KT-20298-2	064882
HFKE Body Kit	1/4" X 1/2" SAE	Angle	Yes	KT-20298-3	064883
HFKE Body Kit	3/8" X 1/2" SAE	Angle	Yes	KT-20298-4	064884
HFKSC Body Kit	3/8" X 1/2" ODF	Angle, Removable Strainer	No	KT-20298-5	064885
HFKESC Body Kit	3/8" X 1/2" ODF	Angle, Removable Strainer	Yes	KT-20298-6	064886
HFKS Body Kit	3/8" X 1/2" ODF	Straight Through	No	KT-20298-7	064887
HFKS Body Kit	3/8" X 5/8" ODF	Straight Through	No	KT-20298-8	064888
HFKS Body Kit	1/2" X 5/8" ODF	Straight Through	No	KT-20298-9	064889
HFKS Body Kit	1/2" X 7/8" ODF	Straight Through	No	KT-20298-10	064890
HFKES Body Kit	3/8" X 1/2" ODF	Straight Through	Yes	KT-20298-11	064891
HFKES Body Kit	3/8" X 5/8" ODF	Straight Through	Yes	KT-20298-12	064892
HFKES Body Kit	1/2" X 5/8" ODF	Straight Through	Yes	KT-20298-13	064895
HFKES Body Kit	1/2" X 7/8" ODF	Straight Through	Yes	KT-20298-14	064896

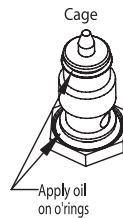
HF SERIES SERVICE KITS AND PARTS

DESCRIPTION	MODEL NUMBER	ITEM NUMBER
3/8" Inlet Filter Screen	X-11176-1	027385
1/4" Inlet Filter Screen	X-11176-7	048638
SAE Inlet Nut Seal	27676-1	058707
HFSC/HFESC Parts Kit	KT-20264	057686
HFK Cage Box (Empty)	KT-20303	064897
HFK Cage Insertion Tool	KT-20304	064898
HFK Oil Bottle	Oil Bottle for HFK	064899
HFK Cage Gasket Kit (12 sets)	KT-20305	065203
HFK and HFKE SAE/ODF Kit	KT-20300-5	065135
HF Cage Kit	KT-20301-1	064879

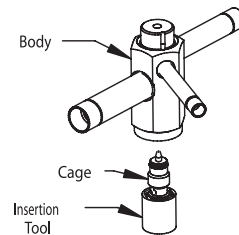
HFK ASSEMBLY PROCEDURE



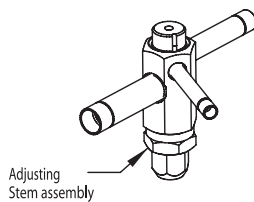
1. Remove adjusting stem assembly from body with 15/16" wrench.



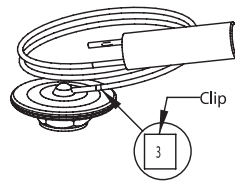
2. Lubricate both o-rings on cage.



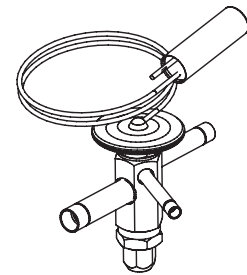
3. Insert cage into body with driver and insertion tool and hand tighten (do not over-tighten).



4. Replace adjustment stem assembly to body and hand tighten. Use the 15/16" wrench to tighten adjustment stem assembly 60° or one wrench flat (300-360 inch lbs. - Do not over-tighten).



5. Attach cage identification clip on power element cap tube.



6. Screw power element to top of valve body and hand tighten. Use the 1" wrench to tighten power element 60° or one wrench flat. (300-360 inch lbs. - Do not over-tighten)



Capacity
Tables (Tons)



TX7-N07 806860

TX7 SERIES THERMOSTATIC EXPANSION VALVES

The Copeland TX7 Series is a balanced ported valve designed for air conditioning, heat pumps, close control and industrial process cooling applications. It is ideal for applications requiring a hermetic compact design with stable and accurate control over wide load and evaporation temperature ranges.

FEATURES

- Hermetic, leak-free construction
- Available for applications up to 47 ton (R-410A)
- Enhanced power element design offers extended valve life
- Laser welded stainless steel power element prevents corrosion
- Bi-directional flow capability allows one valve to control superheat for close-coupled or packaged heat pump applications
- Only available with adjustable superheat
- External equalizer with 1/4 ODF connection
- Balanced port construction

SPECIFICATIONS

Maximum Working Pressure..... 667 psig (46 bar)
 Refrigerant Temperature Range..... -13°F to 158°F (-11° to 70°C)
 Storage Temperature -22°F to 158°F (-30° to 70°C)
 Connections..... Copper ODF
 UL/CUL File Number SA5312

TEMPERATURE RANGES

SYSTEM REFRIGERANT	CHARGE	RECOMMENDED EVAPORATING TEMPERATURE RANGE (°F)	MAXIMUM BULB TEMPERATURE (°F)
R-410A/R-32	Z1 MOP 175 psig	-40 to 57	248
R-134a/R-450A/R-513A	M0	-13 to 86	190
R-407C/R-22	N0	-13 to 68	160

MODEL NUMBER NOMENCLATURE - Example: TX7-Z16 806816

SERIES	SYSTEM REFRIGERANT CODE	PRESSURE LIMITING	ORIFICE	UNIQUE IDENTIFIER
TX7	Z	1	6	806816
Hermetic Balanced Port Design	M = R-134a/R450A/R-513A N = R-407C/R-22 Z = R-410A/R-32	0 = Without MOP 1 = With MOP	Sizes 3 Through 9	

TX7 SERIES THERMOSTATIC EXPANSION VALVES (Body Style Straight Thru)

SYSTEM REFRIGERANT CODE	CAPACITY (NOMINAL TONNAGE)	PRESSURE LIMITING	INLET X OUTLET CONNECTION	ADJUSTABLE SUPERHEAT	INTERNAL CHECK	EQUALIZER	BLEED	CAP LENGTH	MODEL NUMBER	ITEM NUMBER
M (R-134a) *R-450A *R-513A	4	No	1/2" X 5/8" ODF	Yes	No	External	No	5 Ft.	TX7-M03 806824	806824
	5	No	5/8" X 7/8" ODF	Yes	No	External	No	5 Ft.	TX7-M04 806826	806826
	6-1/2	No	5/8" X 7/8" ODF	Yes	No	External	No	5 Ft.	TX7-M05 806828	806828
	10-1/2	No	7/8" X 1-1/8" ODF	Yes	No	External	No	5 Ft.	TX7-M06 806830	806830
	13	No	7/8" X 1-1/8" ODF	Yes	No	External	No	5 Ft.	TX7-M07 806832	806832
	17	No	7/8" X 1-1/8" ODF	Yes	No	External	No	5 Ft.	TX7-M08 806834	806834
	24	No	7/8" X 1-1/8" ODF	Yes	No	External	No	5 Ft.	TX7-M09 806836	806836

TX7 SERIES THERMOSTATIC EXPANSION VALVES (CONTINUED) (Body Style Straight Thru)

SYSTEM REFRIGERANT CODE	CAPACITY (NOMINAL TONNAGE)	PRESSURE LIMITING	INLET X OUTLET CONNECTION	ADJUSTABLE SUPERHEAT	INTERNAL CHECK	EQUALIZER	BLEED	CAP LENGTH	MODEL NUMBER	ITEM NUMBER
N (R-407C) *R-22	6-1/2	No	1/2" X 5/8" ODF	Yes	No	External	No	5 Ft.	TX7-N03 806852	806852
	8	No	5/8" X 7/8" ODF	Yes	No	External	No	5 Ft.	TX7-N04 806854	806854
	10	No	5/8" X 7/8" ODF	Yes	No	External	No	5 Ft.	TX7-N05 806856	806856
	16	No	7/8" X 1-1/8" ODF	Yes	No	External	No	5 Ft.	TX7-N06 806858	806858
	20	No	7/8" X 1-1/8" ODF	Yes	No	External	No	5 Ft.	TX7-N07 806860	806860
	26	No	7/8" X 1-1/8" ODF	Yes	No	External	No	5 Ft.	TX7-N08 806862	806862
	37	No	7/8" X 1-1/8" ODF	Yes	No	External	No	5 Ft.	TX7-N09 806864	806864
Z (R-410A) *R-32	20	175 (MOP)	7/8" X 1-1/8" ODF	Yes	No	External	No	5 Ft.	TX7-Z16 806816	806816
	25	175 (MOP)	7/8" X 1-1/8" ODF	Yes	No	External	No	5 Ft.	TX7-Z17 806818	806818
	33	175 (MOP)	7/8" X 1-1/8" ODF	Yes	No	External	No	5 Ft.	TX7-Z18 806820	806820
	47	175 (MOP)	7/8" X 1-1/8" ODF	Yes	No	External	No	5 Ft.	TX7-Z19 806822	806822

* Valve capacity is for the first refrigerant listed. To determine the capacity for additional refrigerants listed, consult the Nominal Capacity Tables for Interchangeable Refrigerants.

NOMINAL CAPACITY TABLES FOR INTERCHANGEABLE REFRIGERANTS IN TONS (KW)

ORIFICE SIZE	R-134a	R-450A	R-513A	R-407C	R-22	R-410a	R-32
3	4 (14.7)	4 (13.7)	3-3/4 (13.1)	6-1/2 (22.6)	7 (24.2)	—	12 (41.7)
4	5 (18.3)	5 (17.0)	4-1/2 (16.2)	8 (28.1)	8-1/2 (30.0)	—	15 (51.9)
5	6-1/2 (22.4)	6 (20.9)	5-1/2 (19.9)	10 (34.4)	10-1/2 (36.8)	—	18 (63.6)
6	10-1/2 (37.0)	10 (34.5)	9-1/2 (32.9)	16 (56.9)	17 (60.8)	20 (71.7)	30 (105.0)
7	13 (45.6)	12 (42.5)	11-1/2 (40.5)	20 (70.1)	21 (74.9)	25 (88.3)	37 (129.4)
8	17 (60.1)	16 (55.9)	15 (53.3)	26 (92.3)	28 (98.6)	33 (116.3)	48 (170.4)
9	24 (84.2)	22 (78.4)	21 (74.7)	37 (129.3)	40 (138.2)	47 (163.0)	68 (238.8)

All capacities shown are at 100°F condensing, 40°F evaporator temperature.
See Extended Capacity Tables for ratings at a wide range of conditions per AHRI standard 750.



TRAE+20HC-01



TRAE 50HC-02

TRAE SERIES THERMOSTATIC EXPANSION VALVES

The TRAE Series is a large capacity valve designed for refrigeration, air conditioning, heat pump and chiller applications.

FEATURES

- Suitable for heat pump bi-directional applications
- External superheat adjustment
- Integral body with straight thru connections
- Balanced port construction
- Solid copper connections
- Large diaphragm provides superior stability
- Replaceable power element and cage assembly for full serviceability on TRAE+ models
- Stainless steel power element for TRAE+
- Permanent inlet strainer

SPECIFICATIONS

Maximum Working Pressure..... 450 psig (31 bar)
 UR/CUR File Number SA5312
 Canadian CRN 0C21506.513467890YTN

MODEL NUMBER NOMENCLATURE - Example: TRAE+ 30HC-01

SERIES	EQUALIZER	REPLACEABLE COMPONENTS	CAPACITY	SYSTEM REFRIGERANT CODE	CHARGE CODE	SEQUENTIAL IDENTIFIER	CUSTOMER SPECIAL	PACK TYPE
TRA	E	+	30	H	C	-01		
Double Balanced Port Design	E = External 1/4" SAE	Cage and Power Assembly	Nominal Rating in Tons	F = R-12 H = R-22 M = R-134a N = R-407C P = R-507 R = R-502 S = R-404A	AA = Wide Range C = Medium Temp. CA = Heat Pump W(MOP) = Press. Limiting Z = Low Temp.	-01 Thru -999	G = Customer Special (Omit for Standard)	B1 = Bulk Pack (Omit for Individual Pack)

TRAE SERIES THERMOSTATIC EXPANSION VALVES (Body Style Straight Thru)

REFRIGERANT CODE	CAPACITY (NOMINAL TONNAGE)	CHARGE CODE	INLET X OUTLET CONNECTION	CAP LENGTH	MODEL NUMBER	ITEM NUMBER
H (R-22) *R-407C	10	C (Med. Temp.)	5/8" X 7/8" ODF	5 Ft.	TRAE+ 10HC-01	062718
	10	C (Med. Temp.)	7/8" X 1-1/8" ODF	15 Ft.	TRAE+ 10HC-02	063100
	10	CA (Heat Pump)	5/8" X 7/8" ODF	10 Ft.	TRAE+ 10HCA-05	063138
	10	CA (Heat Pump)	7/8" X 1-1/8" ODF	10 Ft.	TRAE+ 10HCA-07	063554
	15	C (Med. Temp.)	5/8" X 7/8" ODF	10 Ft.	TRAE+ 15HC-04	063139
	15	C (Med. Temp.)	7/8" X 1-1/8" ODF	10 Ft.	TRAE+ 15HC-02	062721
	15	CA (Heat Pump)	5/8" X 7/8" ODF	10 Ft.	TRAE+ 15HCA-05	063510
	15	CA (Heat Pump)	7/8" X 1-1/8" ODF	10 Ft.	TRAE+ 15HCA-03	062722
	15	CA (Heat Pump)	7/8" X 1-3/8" ODF	10 Ft.	TRAE+ 15HCA-04	063141
	15	W100 (MOP)	5/8" X 7/8" ODF	5 Ft.	TRAE+ 15HW100-02	063103
	15	W100 (MOP)	7/8" X 1-1/8" ODF	10 Ft.	TRAE+ 15HW100-01	062723
	20	C (Med. Temp.)	7/8" X 1-1/8" ODF	10 Ft.	TRAE+ 20HC-01	062724
	20	C (Med. Temp.)	7/8" X 1-3/8" ODF	10 Ft.	TRAE+ 20HC-03	063650
	20	CA (Heat Pump)	7/8" X 1-1/8" ODF	10 Ft.	TRAE+ 20HCA-04	062725

REFRIGERANT CODE	CAPACITY (NOMINAL TONNAGE)	CHARGE CODE	INLET X OUTLET CONNECTION	CAP LENGTH	MODEL NUMBER	ITEM NUMBER
H (R-22) *R-407C	20	CA (Heat Pump)	1-1/8" X 1-1/8" ODF	10 Ft.	TRAE+ 20HCA-10	064581
	20	W100 (MOP)	7/8" X 1-1/8" ODF	10 Ft.	TRAE+ 20HW100-01	062726
	20	W90 (MOP)	7/8" X 1-1/8" ODF	15 Ft.	TRAE+ 20HW90-05	064018
	30	C (Med. Temp.)	7/8" X 1-1/8" ODF	10 Ft.	TRAE+ 30HC-03	062727
	30	C (Med. Temp.)	1-1/8" X 1-3/8" ODF	10 Ft.	TRAE+ 30HC-04	062728
	30	CA (Heat Pump)	1-1/8" X 1-3/8" ODF	10 Ft.	TRAE+ 30HCA-07	062730
	30	W100 (MOP)	7/8" X 1-3/8" ODF	5 Ft.	TRAE+ 30HW100-04	063425
	30	W85 (MOP)	7/8" X 1-1/8" ODF	15 Ft.	TRAE+ 30HW85-01	063109
	40	C (Med. Temp.)	1-1/8" X 1-3/8" ODF	10 Ft.	TRAE+ 40HC-02	062733
	40	C (Med. Temp.)	1-1/8" X 1-3/8" ODF	15 Ft.	TRAE+ 40HC-03	063153
	40	CA (Heat Pump)	1-1/8" X 1-3/8" ODF	10 Ft.	TRAE+ 40HCA-04	062734
	50	C (Med. Temp.)	1-1/8" X 1-3/8" ODF	10 Ft.	TRAE 50HC-02	061700
	60	C (Med. Temp.)	1-1/8" X 1-3/8" ODF	10 Ft.	TRAE 60HC-03	061865
	60	C (Med. Temp.)	1-3/8" X 1-3/8" ODF	20 Ft.	TRAE 60HC-01	058657
70	C (Med. Temp.)	1-1/8" X 1-3/8" ODF	10 Ft.	TRAE 70HC-03	061866	
M (R-134a) *R-12	22	C (Med. Temp.)	7/8" X 1-1/8" ODF	10 Ft.	TRAE+ 22MC-02	063462
	30	C (Med. Temp.)	1-1/8" X 1-3/8" ODF	10 Ft.	TRAE+ 30MC-01	064001
	40	C (Med. Temp.)	1-1/8" X 1-3/8" ODF	15 Ft.	TRAE 40MC-01	063941
S (R-404A) *R-502 *R-507	14	C (Med. Temp.)	1-1/8" X 1-1/8" ODF	10 Ft.	TRAE+ 14SC-01	064407
	20	C (Med. Temp.)	7/8" X 1-1/8" ODF	10 Ft.	TRAE+ 20SC-02	063461
	20	Z (Low Temp.)	5/8" X 7/8" ODF	10 Ft.	TRAE+ 20SZ-01	064923
	35	C (Med. Temp.)	1-1/8" X 1-3/8" ODF	10 Ft.	TRAE 35SC-01	064217

* Valve capacity is for the first refrigerant listed. To determine the capacity for additional refrigerants listed, consult the Nominal Capacity Tables for Interchangeable Refrigerants.

NOMINAL CAPACITY TABLES FOR INTERCHANGEABLE REFRIGERANTS IN TONS (kW): TRAE+ 10-40 Ton

R-134a	R-12	R-404A / R-502	R-507	R-22 / R-407C
9 (31.7)	7-1/2 (26.4)	8 (28.1)	8 (28.1)	10 (35.2)
13 (45.7)	10 (35.2)	12 (42.2)	12 (42.2)	15 (52.8)
14 (49.2)	12 (42.2)	14 (49.2)	14 (49.2)	20 (70.3)
22 (77.4)	18 (63.3)	20 (70.3)	20 (70.3)	30 (105.5)
30 (105.5)	25 (87.9)	30 (105.5)	28 (98.5)	40 (140.8)

NOMINAL CAPACITY TABLES FOR INTERCHANGEABLE REFRIGERANTS IN TONS (kW): TRAE 40-70 Ton

R-134a	R-12	R-404A / R-507 / R-502	R-22 / R-407C
40 (140.8)	30 (105.5)	35 (123.1)	50 (175.8)
45 (158.3)	35 (123.1)	40 (140.8)	60 (211.0)
50 (175.8)	40 (140.8)	50 (175.8)	70 (246.2)

All capacities shown are at 100°F condensing, 40°F evaporator temperature.
See Extended Capacity Tables for ratings at a wide range of conditions per AHRI standard 750.

TRAE+ POWER ASSEMBLY MODEL NOMENCLATURE - Example: X-28458HCA-2

PRINT REFERENCE	SYSTEM REFRIGERANT CODE	CHARGE CODE	CAPILLARY TUBE LENGTH CODE
X-28458	H	CA	2
X-28458 = Drawing Number	H = R-22 M = R-134a R = R-502 S = R-404A	C = Medium Temp. CA = Heat Pump G(MOP) = Press. Limiting W(MOP) = Press. Limiting Z = Low Temp.	1 = 5 Ft. 2 = 10 Ft. 3 = 15 Ft.

TRAE+ POWER ASSEMBLIES

PRINT REFERENCE	SYSTEM REFRIGERANT CODE	CHARGE CODE	CAP LENGTH	MODEL NUMBER	ITEM NUMBER
X-28458	H (R-22, R-407C)	CA (Heat Pump)	10 Ft.	X-28458HCA-2	063414
X-28458	H (R-22, R-407C)	W100 (MOP)	10 Ft.	X-28458HW100-2	063416
X-28458	S (R-404A, R-502, R-507)	C (Med. Temp.)	10 Ft.	X-28458SC-2	065439
X-28458	S (R-404A, R-502, R-507)	W45 (MOP)	10 Ft.	X-28458SW45-2	065298
X-28458	M (R-134a)	C (Medium Temp.)	15 Ft.	X-28458MC-3	063593

TRAE+ CAGE KITS

Cage kits are cross referenced by capacity and tonnage in the table below. Each cage kit consists of a replacement cage and cage removal wrench. In addition, the cage removal wrench (KT-20294) can be ordered as a separate item.

NOMINAL CAPACITY - TONS			MODEL NUMBER	ITEM NUMBER
R-22	R-12 / R-134a	R-507 / R-404A / R-502		
10	9	8	KT-20289	063387
15	13	12	KT-20290	063388
20	14	14	KT-20291	063389
30	22	20	KT-20292	063390
40	30	30	KT-20293	063391

Capacities shown are at 100° F condensing and 40° F evaporator temperature. See Extended Capacity Tables for ratings at a wide range of conditions.

TRAE+ PARTS LIST

DESCRIPTION	MODEL NUMBER	ITEM NUMBER
TRAE Series Cage Wrench	KT-20294	063392
Nut Seal	27676-1	058707



Capacity
Tables (Tons)



T-SERIES TAKE-APART THERMOSTATIC EXPANSION VALVES

T-Series take-apart valves with adjustable superheat and replaceable, interchangeable components are ideal for air conditioning, heat pump, and refrigeration applications.

FEATURES

- Take-apart construction for easy field service
- External superheat adjustment
- Bi-directional capability
- Stainless steel power assembly up to 18 tons
- Interchangeable replaceable cages, body flanges, power assemblies
- 1/4 to 100 Tons Capacity

SPECIFICATIONS

Maximum Working Pressure..... 450 psig (31 bar)
 Torque Bolts 300 In. Lbs

MODEL NUMBER NOMENCLATURE - Example: **TCLC 3FC-03**

SERIES	TYPE	NAVY	EQUALIZER	BLEED HOLE	CAPACITY	SYSTEM REFRIGERANT CODE	CHARGE CODE	SEQUENTIAL IDENTIFIER	CUSTOMER SPECIAL	PACK TYPE
T	CL	N= Navy	E	B = Bleed Hole	3	F	C	-03	G = Cust. Special	B1 = Bulk Pack
Take-Apart Adjustable Superheat	CL, JL, JR = Small Capacity (1/2 to 18 Tons R-22) ER, IR, HR, MR = Large Capacity, Balanced Port (22 to 100 Tons R-22)	(Omit for Standard)	(Omit for Internal and Omit on Externally Equalized TCLN, TER, THR, TIR, TMR Models)	(Omit for No Bleed Hole)	Nominal Rating in Tons	F = R-12 H = R-22 M = R-134a N = R-407C P = R-507 R = R-502 S = R-404A	AA = Wide Range C = Medium Temp. CA = Heat Pump W(MOP) = Press. Limiting Z = Low Temp.	-01 Thru -999	(Omit for Standard)	(Omit for Individual Pack)

STEP 1: Select small capacity cage kit

T-SERIES SMALL CAPACITY CAGE KITS

VALVE TYPE	NOMINAL CAPACITY - TONS							MODEL NUMBER	ITEM NUMBER
	R-12	R-134a	R-22	R-404A / R-507	R-407C	R-502	EQUALIZER		
TCL TCLC	1/4	1/4	1/2	1/4	1/2	1/4	Internal	X-22440-B1A	037034
	1/4	1/4	1/2	1/4	1/2	1/4	External	X-22440-B1B	037035
	1/2	3/4	1	1/2	1	1/2	Internal	X-22440-B2A	037036
	1/2	3/4	1	1/2	1	1/2	External	X-22440-B2B	037037
	1	1-1/5	2	1	2	1	Internal	X-22440-B3A	037038
	1	1-1/2	2	1	2	1	External	X-22440-B3B	037039
	2	2-1/2	3	2	3	2	Internal	X-22440-B4A	037040
	2	2-1/2	3	2	3	2	External	X-22440-B4B	037041
	3	3-1/2	5	3	5	3	External	X-22440-B5B	037043
	4	5-1/2	7-1/2	4-1/2	7-1/2	4-1/2	External	X-22440-B6B	037045
	6-1/2	7-1/2	10	7	10	7	External	X-22440-B7B	037047
7-1/2	9	12	8	12	8	External	X-22440-B8B	037049	
TJLE	7	9	11	7	11	7	External	XC-724-B4B	093343
	8	11	14	9	14	9	External	XC-724-B5B	038699
TJR	8	11	14	9	14	9	External	X-11873-B4B	088837
	11	13	18	12	18	12	External	X-11873-B5B	089058

Gasket strip X13455-1 (ITEM NUMBER 027579) replaces all older T-Series Gasket kits.

STEP 2: Select Small Capacity Flange

T-SERIES SMALL CAPACITY FLANGES

VALVE TYPE	CONFIGURATION	INLET CONNECTION	OUTLET CONNECTION	MODEL NUMBER	ITEM NUMBER
TCL,TCLE	Angle	3/8" SAE	1/2" SAE	C-500-4	056932
TCL,TCLE	Angle	3/8" SAE	5/8" SAE	C-500-5	057153
TCL,TCLE	Angle	1/2" SAE	5/8" SAE	C-500-6	056294
TCL,TCLE	Angle	3/8" ODF	1/2" ODF	C-501-4	065527
TCL,TCLE	Angle	3/8" ODF	5/8" ODF	C-501-5	065748
TCL,TCLE	Angle	1/2" ODF	5/8" ODF	C-501-7	065861
TCL,TCLE	Angle	5/8" ODF or 7/8" ODM	7/8" ODF or 1-1/8" ODM	A576	027764
TCL,TCLE	Straight Thru	3/8" SAE	1/2" SAE	X-6669-4	051176
TCL,TCLE	Straight Thru	3/8" SAE	5/8" SAE	X-6669-1	050563
TCL,TCLE	Straight Thru	1/2" SAE	1/2" SAE	X-6669-5	083378
TCL,TCLE	Straight Thru	1/2" SAE	5/8" SAE	X-6669-2	050842
TCL,TCLE	Straight Thru	3/8" ODF	1/2" ODF	9761-5	027769
TCL,TCLE	Straight Thru	3/8" ODF	5/8" ODF	9761-3	027771
TCL,TCLE	Straight Thru	1/2" ODF	1/2" ODF	9761-9	027766
TCL,TCLE	Straight Thru	1/2" ODF	5/8" ODF	9761-4	027268
TCL,TCLE	Straight Thru	1/2" ODF	7/8" ODF	9761-2	027770
TCL,TCLE	Straight Thru	5/8" ODF	5/8" ODF	X-6346-16	044733
TCL,TCLE	Straight Thru	5/8" ODF	7/8" ODF	X-6346-17	044846
TCL,TCLE	Straight Thru	5/8" ODF	1-1/8" ODF	X-6346-18	094038
TCL,TCLE	Straight Thru	7/8" ODF	1-1/8" ODF	X-6346-34	071757
TJLE	Angle	5/8" ODF or 7/8" ODM	7/8" ODF or 1-1/8" ODM	B504	044984
TJLE	Straight Thru	5/8" ODF	1-1/8" ODF	X-6347-2	094289
TJLE	Straight Thru	7/8" ODF	1-1/8" ODF	X-6347-6	057210
TJLE	Straight Thru	7/8" ODF	1-3/8" ODF	X-6347-7	057323
TJR	Angle	7/8" ODF or 1-1/8" ODM	7/8" ODF or 1-1/8" ODM	10331	029411
TJR	Straight Thru	7/8" ODF or 1-1/8" ODM	7/8" ODF or 1-1/8" ODM	10332	032988

STEP 3: Select Power Assembly

POWER ASSEMBLY MODEL NOMENCLATURE - Example: XB-1019FC-1A

PRINT REFERENCE	SYSTEM REFRIGERANT CODE	CHARGE CODE	CAPILLARY TUBE LENGTH CODE	EQUALIZER
XB-1019	F	C	1	A
XB-1019 = Drawing Number	F = R-12 H = R-22 M = R-134a N = R-407C P = R-507 R = R-502 S = R-404A	A = Medium & Low Temp. AA = Wide Range C = Medium Temp. CA = Heat Pump W(MOP) = Press. Limiting Z = Low Temp.	1 = 5 Ft. 2 = 10 Ft. 3 = 15 Ft.	A = Internal B = External

T-SERIES SMALL POWER ASSEMBLIES

VALVE TYPE	SYSTEM REFRIGERANT CODE	CHARGE CODE	CAP LENGTH	EQUALIZER	MODEL NUMBER	ITEM NUMBER
TCL, TCLE, TJLE, TJR	F (R-12)	W15 (MOP)	5 Ft.	External	XB-1019FW15-1B	077063
	F (R-12)	W35 (MOP)	5 Ft.	External	XB-1019FW35-1B	079346
	F (R-12)	W55 (MOP)	10 Ft.	External	XB-1019FW55-2B	050981
	F (R-12)	W55 (MOP)	5 Ft.	External	XB-1019FW55-1B	057432
	F (R-12)	C (Med. Temp.)	10 Ft.	Internal	XB-1019FC-2A	032374
	F (R-12)	C (Med. Temp.)	10 Ft.	External	XB-1019FC-2B	052954
	F (R-12)	C (Med. Temp.)	15 Ft.	External	XB-1019FC-3B	058569
	F (R-12)	C (Med. Temp.)	5 Ft.	Internal	XB-1019FC-1A	052951
	F (R-12)	C (Med. Temp.)	5 Ft.	External	XB-1019FC-1B	049881
	H (R-22)	W100 (MOP)	10 Ft.	External	XB-1019HW100-2B	062658
H (R-22)	W100 (MOP)	5 Ft.	External	XB-1019HW100-1B	062437	

T-SERIES SMALL POWER ASSEMBLIES (CONTINUED)

VALVE TYPE	SYSTEM REFRIGERANT CODE	CHARGE CODE	CAP LENGTH	EQUALIZER	MODEL NUMBER	ITEM NUMBER
TCL, TCLE, TJLE, TJR	H (R-22)	W35 (MOP)	5 Ft.	External	XB-1019HW35-1B	089975
	H (R-22)	W55 (MOP)	5 Ft.	External	XB-1019HW55-1B	039152
	H (R-22)	W65 (MOP)	5 Ft.	External	XB-1019HW65-1B	089445
	H (R-22)	CA (Heat Pump)	5 Ft.	External	XB-1019HCA-1B	056039
	H (R-22)	Z (Low Temp.)	10 Ft.	External	XB-1019HZ-2B	054105
	H (R-22)	Z (Low Temp.)	5 Ft.	External	XB-1019HZ-1B	040568
	H (R-22)	C (Med. Temp.)	10 Ft.	External	XB-1019HC-2B	054390
	H (R-22)	C (Med. Temp.)	20 Ft.	External	XB-1019HW-4B	055703
	H (R-22)	C (Med. Temp.)	5 Ft.	Internal	XB-1019HC-1A	062078
	H (R-22)	C (Med. Temp.)	5 Ft.	External	XB-1019HC-1B	053416
	M (R-134a)	W55 (MOP)	5 Ft.	External	XB-1019MW55-1B	057370
	M (R-134a)	Z (Low Temp.)	5 Ft.	External	XB-1019MZ-1B	061946
	M (R-134a)	C (Med. Temp.)	10 Ft.	External	XB-1019MC-2B	059548
	M (R-134a)	C (Med. Temp.)	5 Ft.	External	XB-1019MC-1B	057878
	N (R-407C)	W100 (MOP)	5 Ft.	External	XB-1019NW100-1B	063069
	N (R-407C)	C (Med. Temp.)	5 Ft.	External	XB-1019NC-1B	064837
	P (R-507)	W40 (MOP)	5 Ft.	External	XB-1019PW40-1B	064200
	P (R-507)	Z (Low Temp.)	5 Ft.	External	XB-1019PZ-1B	061951
	P (R-507)	C (Med. Temp.)	5 Ft.	External	XB-1019PC-1B	061949
	R (R-502)	W15 (MOP)	5 Ft.	External	XB-1019RW15-1B	070346
	R (R-502)	W35 (MOP)	5 Ft.	External	XB-1019RW35-1B	063644
	R (R-502)	W45 (MOP)	10 Ft.	External	XB-1019RW45-2B	055704
	R (R-502)	W45 (MOP)	5 Ft.	External	XB-1019RW45-1B	055881
	R (R-502)	W65 (MOP)	5 Ft.	External	XB-1019RW65-1B	063114
	R (R-502)	Z (Low Temp.)	10 Ft.	External	XB-1019RZ-2B	047358
	R (R-502)	Z (Low Temp.)	5 Ft.	External	XB-1019RZ-1B	046474
	R (R-502)	C (Med. Temp.)	10 Ft.	External	XB-1019RC-2B	054415
	R (R-502)	C (Med. Temp.)	5 Ft.	External	XB-1019RC-1B	052955
	S (R-404A)	W40 (MOP)	5 Ft.	External	XB-1019SW40-1B	059130
	S (R-404A)	W65 (MOP)	5 Ft.	External	XB-1019SW65-1B	063541
	S (R-404A)	Z (Low Temp.)	10 Ft.	External	XB-1019SZ-2B	061948
	S (R-404A)	C (Med. Temp.)	5 Ft.	External	XB-1019SC-1B	059189

STEP 1: Select Large Capacity Cage Kit

T-SERIES LARGE CAPACITY CAGE KITS

VALVE TYPE	NOMINAL CAPACITY - TONS						EQUALIZER	MODEL NUMBER	ITEM NUMBER
	R-12	R-134a	R-22	R-404A / R-507	R-407C	R-502			
TER	13	16	22	14	22	14	External	X-9117-B6B	077896
TER	15	19	26	16	26	16	External	X-9117-B7B	078117
TER	20	25	35	21	35	21	External	X-9117-B8B	071155
TER	25	31	45	27	45	27	External	X-9117-B9B	029429
TIR	35	45	55	37	55	37	External	X-9166-B10B	070738
THR	35	45	55	37	55	37	External	X-9144-B10B	071238
THR	45	55	75	48	70	48	External	X-9144-B11B	020846
THR	55	68	85	60	85	60	External	X-9144-B13B	021067
TMR	55	68	100	60	100	—	External	X-9144-B14B	065123

Capacity
Tables (Tons)

STEP 2: Select Large Capacity Flange

T-SERIES LARGE CAPACITY FLANGES

VALVE TYPE	CONFIGURATION	INLET CONNECTION	OUTLET CONNECTION	MODEL NUMBER	ITEM NUMBER
TER	Angle	7/8" ODF or 1-1/8" ODM	7/8" ODF or 1-1/8" ODM	9153	027919
TER	Straight Thru	7/8" ODF or 1-1/8" ODM	7/8" ODF or 1-1/8" ODM	9152	027918
TIR	Angle	7/8" ODF or 1-1/8" ODM	7/8" ODF or 1-1/8" ODM	9151	027926
TIR	Straight Thru	7/8" ODF or 1-1/8" ODM	7/8" ODF or 1-1/8" ODM	9150	028849
THR	Angle	1-1/8" ODM	1-1/8" ODM	9149	028030
THR	Straight Thru	1-1/8" ODM	1-1/8" ODM	9148	028032
TMR	Angle	1-1/8" ODM	1-1/8" ODM	9149-1	065124
TMR	Straight Thru	1-1/8" ODM	1-1/8" ODM	9148-1	065125

STEP 3: Select Power Assembly

POWER ASSEMBLY MODEL NOMENCLATURE - Example: XB-1019FC-1A

PRINT REFERENCE	SYSTEM REFRIGERANT CODE	CHARGE CODE	CAPILLARY TUBE LENGTH CODE	EQUALIZER
XB-1019	F	C	1	A
XB-1019 = Drawing Number	F = R-12 H = R-22 M = R-134a N = R-407C P = R-507 R = R-502 S = R-404A	C = Medium Temp. CA = Heat Pump W(MOP) = Press. Limiting Z = Low Temp.	1 = 5 Ft. 2 = 10 Ft. 3 = 15 Ft.	A = Internal B = External

T-SERIES LARGE POWER ASSEMBLIES

VALVE TYPE	SYSTEM REFRIGERANT CODE	CHARGE CODE	CAPILLARY TUBE	EQUALIZER	MODEL NUMBER	ITEM NUMBER
TER, TIR, THR, TMR	F (R-12)	W55 (MOP)	10 Ft.	External	XC-726FW55-2B	035000
	F (R-12)	C (Med. Temp.)	10 Ft.	External	XC-726FC-2B	052957
	H (R-22)	W100 (MOP)	10 Ft.	External	XC-726HW100-2B	036750
	H (R-22)	W35 (MOP)	10 Ft.	External	XC-726HW35-2B	024511
	H (R-22)	W65 (MOP)	10 Ft.	External	XC-726HW65-2B	025011
	H (R-22)	CA (Heat Pump)	10Ft.	External	XC-726HCA-2B	059333
	H (R-22)	Z (Low Temp.)	10 Ft.	External	XC-726HZ-2B	040569
	H (R-22)	C (Med. Temp.)	10 Ft.	External	XC-726HC-2B	056421
	M (R-134a)	M55 (MOP)	10 Ft.	External	XC-726MW55-2B	057372
	M (R-134a)	Z (Low Temp.)	10 Ft.	External	XC-726MZ-2B	063075
	M (R-134a)	C (Med. Temp.)	10 Ft.	External	XC-726MC-2B	057235
	R (R-502)	W15 (MOP)	10 Ft.	External	XC-726RW15-2B	023351
	R (R-502)	W35 (MOP)	10 Ft.	External	XC-726RW35-2B	070866
	R (R-502)	W65 (MOP)	10 Ft.	External	XC-726RW65-2B	071421
	R (R-502)	Z (Low Temp.)	10 Ft.	External	XC-726RZ-2B	046692
	R (R-502)	C (Med. Temp.)	10 Ft.	External	XC-726RC-2B	052958
	S (R-404A)	W40 (MOP)	10 Ft.	External	XC-726SW40-2B	063127
	S (R-404A)	W65 (MOP)	10 Ft.	External	XC-726SW65-2B	061692
S (R-404A)	Z (Low Temp.)	10 Ft.	External	XC-726SZ-2B	063974	
S (R-404A)	C (Med. Temp.)	10 Ft.	External	XC-726SC-2B	062303	
TCLE, TJLE, TJRE	R-12	Rapid Response	5 Ft.	External	X-8019FWS-1B	031654
	R-22	Rapid Response	10 Ft.	External	X-8019HWS-2B	055873
	R-22	Rapid Response	5 Ft.	External	X-8019HWS-1B	055652
	R-502	Rapid Response	10 Ft.	External	X-8019RWS-2B	042426
	R-502	Rapid Response	5 Ft.	Internal	X-8019RWS-1A	032131

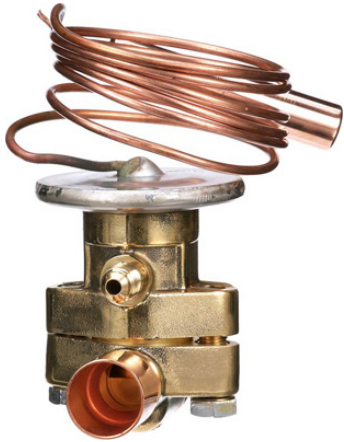
NOTE: Nominal capacities shown here are based on 40°F evaporator temperature and 100°F vapor-free liquid refrigerant entering the valve. R-12 and R-134a rated at 60 PSID. All other refrigerants rated at 100 PSID.

T-SERIES THERMOSTATIC EXPANSION VALVES (Less Flange)

SYSTEM REFRIGERANT CODE	CAPACITY (NOMINAL TONNAGE)	CHARGE CODE	EQUALIZER	CAP LENGTH	MODEL NUMBER	ITEM NUMBER
F (R-12)	1/2	C (Med. Temp.)	External	5 Ft.	TCLE 1/2FC-01	054413
	1	C (Med. Temp.)	External	5 Ft.	TCLE 1FC-01	052940
	2	C (Med. Temp.)	External	5 Ft.	TCLE 2FC-03	052941
	3	C (Med. Temp.)	External	5 Ft.	TCLE 3FC-03	052942
	4	C (Med. Temp.)	External	5 Ft.	TCLE 4FC-03	052943
	6-1/2	C (Med. Temp.)	External	5 Ft.	TCLE 6-1/2FC-02	052944
	7-1/2	C (Med. Temp.)	External	5 Ft.	TCLE 7-1/2FC-03	052945
	8	C (Med. Temp.)	External	5 Ft.	TJLE 8FC-01	055104
	11	C (Med. Temp.)	External	5 Ft.	TJRE 11FC-01	055105
	20	C (Med. Temp.)	External	10 Ft.	TER 20FC-01	055109
25	C (Med. Temp.)	External	10 Ft.	TER 25FC-01	055111	
H (R-22)	1	C (Med. Temp.)	External	5 Ft.	TCLE 1HC-01	062884
	2	C (Med. Temp.)	External	5 Ft.	TCLE 2HC-03	061724
	3	C (Med. Temp.)	External	5 Ft.	TCLE 3HC-05	054395
	3	W100 (MOP)	External	5 Ft.	TCLE 3HW100-05	089943
	5	C (Med. Temp.)	External	5 Ft.	TCLE 5HC-02	054399
	7-1/2	C (Med. Temp.)	External	5 Ft.	TCLE 7-1/2HC-02	054401
	7-1/2	W100 (MOP)	External	5 Ft.	TCLE 7-1/2HW100-08	054079
	10	C (Med. Temp.)	External	5 Ft.	TCLE 10HC-03	054404
	10	W 100 (MOP)	External	5 Ft.	TCLE 10HW100-07	059076
	11	C (Med. Temp.)	External	5 Ft.	TJLE 11HC-01	060855
	12	C (Med. Temp.)	External	5 Ft.	TCLE 12HC-05	060854
	14	C (Med. Temp.)	External	5 Ft.	TJLE 14HC-04	060856
	14	C (Med. Temp.)	External	5 Ft.	TJRE 14HC-02	060857
	18	C (Med. Temp.)	External	5 Ft.	TJRE 18HC-05	060858
	22	C (Med. Temp.)	External	10 Ft.	TER 22HC-04	061673
	22	W100 MOP	External	10 Ft.	TER 22HW100-04	058582
	26	C (Med. Temp.)	External	10 Ft.	TER 26HC-05	061674
	35	C (Med. Temp.)	External	10 Ft.	TER 35HC-04	061675
	35	W 100 (MOP)	External	10 Ft.	TER 35HW100-02	058038
	45	C (Med. Temp.)	External	10 Ft.	TER 45HC-05	061676
75	C (Med. Temp.)	External	10 Ft.	THR 75HC-04	064961	
100	C (Med. Temp.)	External	10 Ft.	THR 100HC-03	062036	
100	W 100 (MOP)	External	10 Ft.	THR 100HW100-07	052912	
R (R-502)	2	C (Med. Temp.)	External	5 Ft.	TCLE 2RC-01	061215
	3	C (Med. Temp.)	External	5 Ft.	TCLE 3RC-01	055501
	8	C (Med. Temp.)	External	5 Ft.	TCLE 8RC-01	063501
	14	C (Med. Temp.)	External	10 Ft.	TER 14RC-01	060788

T-SERIES PARTS LIST

VALVE TYPE	DESCRIPTION	MODEL NUMBER	ITEM NUMBER
TLE	Packing Nut Wrench	E-642	039862
LCL, TLE, ZZ	Take-Apart Gasket Set	X-13455-1	027579
T-Series	Superheat Plug	X-28124-1	058336
TCL, TLE	Replacement Capscrews, 10 Pcs of Screw # PS-286-5	KT-30021	054569
TJR, TER	Replacement Capscrews 10 Pcs of Screw # PS-259	KT-30023	054571
TJLE, ANG	Replacement Capscrews 10 Pcs of Screw # PS-514-5	KT-30025	054573
TJLE	Replacement Capscrews 10 Pcs of Screw # PS-517-5	KT-30026	054574
TMR	Straight Thru	9148-1	065125



TLE 3HW75-01

TLE SERIES THERMOSTATIC EXPANSION VALVES

The TLE Series is designed for air conditioning, heat pumps, transportation and commercial refrigeration. Take-apart construction improves serviceability with replaceable/interchangeable parts.

FEATURES

- Stainless steel power element eliminates corrosion and prevents valve failure
- Non-adjustable superheat
- Bi-directional capability for heat pump applications (external equalizer required)
- Take-Apart construction for easy field service
- Interchangeable capacity cages, power assemblies and flanges available

SPECIFICATIONS

Maximum Working Pressure..... 450 psig (31 bar)
 Capscrew Torque..... 300 In. lbs.

MODEL NUMBER NOMENCLATURE - Example: TLE 5HW-01

SERIES	EQUALIZER	BLEED HOLE	CAPACITY	SYSTEM REFRIGERANT CODE	CHARGE CODE	SEQUENTIAL IDENTIFIER	CUSTOMER SPECIAL	PACK TYPE
TL	E		5	H	W	-01		
Take-Apart	E = External 1/4" SAE Standard 1/4" ODF Available (Omit for Internal)	B = Bleed Hole (Omit for no Bleed Hole)	Nominal Rating in Tons	F = R-12 H = R-22 M = R-134a N = R-407C P = R-507 R = R-502 S = R-404A	AA = Wide Range C or W = Medium Temp. CA = Heat Pump W(MOP) = Press. Limiting Z = Low Temp.	-01 Thru -999	G = Customer Special (Omit for Standard)	B1 = Bulk Pack (Omit for Individual Pack)

TLE SERIES THERMOSTATIC EXPANSION VALVES

SYSTEM REFRIGERANT CODE	CAPACITY (NOMINAL TONNAGE)	CHARGE CODE	INLET X OUTLET CONNECTION	EQUALIZER	BLEED	CAP LENGTH	MODEL NUMBER	ITEM NUMBER
H (R-22) *R-407C	3	W (Med. Temp.)	Valve Less Flange	External	No	5 Ft.	TLE 3HW-01	041734
	3	W100 (MOP)	Valve Less Flange	External	No	5 Ft.	TLE 3HW100-02	053363
	3	W75 (MOP)	5/8" X 7/8" ODF (Straight-Thru)	External	No	5 Ft.	TLE 3HW75-01	041931
	5	W (Med. Temp)	Valve Less Flange	External	No	5 Ft.	TLE 5HW-01	054793
	10	W (Med. Temp)	Valve Less Flange	External	No	5 Ft.	TLE 10HW-01	055125

TLE SERIES POWER ASSEMBLY NOMENCLATURE - Example: XB-1033HC-1B

PRINT REFERENCE	SYSTEM REFRIGERANT CODE	CHARGE CODE	CAPILLARY TUBE LENGTH CODE	EQUALIZER
XB-1033	H	C	1	B
XB-1033 = Drawing Number	F = R-12 H = R-22 M = R-134a N = R-407C P = R-507 R = R-502 S = R-404A	C=Medium Temp. CA = Heat Pump W(MOP) = Press. Limiting Z = Low Temp.	1 = 5 Ft. 2 = 10 Ft. 3 = 15 Ft. 15 = 30 In.	A = Internal B = External

TLE SERIES POWER ASSEMBLIES

PRINT REFERENCE	SYSTEM REFRIGERANT CODE	CHARGE CODE	CAP LENGTH	EQUALIZER	MODEL NUMBER	ITEM NUMBER
XB-1033	F (R-12)	W25 (MOP)	5 Ft.	External	XB-1033FW25-1B	083765
XB-1033	H (R-22)	C (Med. Temp.)	5 Ft.	External	XB-1033HC-1B	061760
XB-1033	H (R-22)	W (Wide Range)	30 In.	Internal	XB-1033HW-15A	077201
XB-1033	H (R-22)	W75 (MOP)	5 Ft.	External	XB-1033HW75-1B	089748
XB-1033	H (R-22)	W100 (MOP)	30 In.	External	XB-1033HW100-15B	095534
XB-1033	H (R-22)	W100 (MOP)	5 Ft.	External	XB-1033HW100-1B	095813
XB-1033	H (R-22)	W90 (MOP)	5 Ft.	External	XB-1033HW90-1B	090082

TLE SERIES CAGE KITS

R-12	R-134a	R-22 / R-407C	R-404A / R-507 / R-502	MODEL NUMBER	ITEM NUMBER
1/4	1/4	1/2	1/4	X-22517-B1B	041551
1	1-1/2	2	1	X-22517-B3B	041556
2	2-1/2	3	2	X-22517-B4A	041560
2	2-1/2	3	2	X-22517-B4B	041558
3	3-1/2	5	3	X-22517-B5B	041562
4	5-1/2	7-1/2	4-1/2	X-22517-B6B	041564
6-1/2	7-1/2	10	7	X-22517-B7B	041566

Capacities shown are at 100°F condensing and 40°F evaporator temperature. See Extended Capacity Tables for ratings at a wide range of conditions.

TLE SERIES FLANGES

CONFIGURATION	INLET CONNECTION	OUTLET CONNECTION	MODEL NUMBER	ITEM NUMBER
Angle	1/2" ODF	5/8" ODF	C-501-7	065861
Angle	1/2" SAE	5/8" SAE	C-500-6	056294
Angle	3/8" ODF	1/2" ODF	C-501-4	065527
Angle	3/8" ODF	5/8" ODF	C-501-5	065748
Angle	3/8" SAE	1/2" SAE	C-500-4	056932
Angle	3/8" SAE	5/8" SAE	C-500-5	057153
Straight Thru	1/2" ODF	1/2" ODF	9761-9	027766
Straight Thru	1/2" ODF	5/8" ODF	9761-4	027268
Straight Thru	1/2" ODF	7/8" ODF	9761-2	027770
Straight Thru	1/2" SAE	1/2" SAE	X-6669-5	083378
Straight Thru	1/2" SAE	5/8" SAE	X-6669-2	050842
Straight Thru	3/8" ODF	1/2" ODF	9761-5	027769
Straight Thru	3/8" ODF	5/8" ODF	9761-3	027771
Straight Thru	3/8" SAE	1/2" SAE	X-6669-4	051176
Straight Thru	3/8" SAE	5/8" SAE	X-6669-1	050563
Straight Thru	5/8" ODF	1-1/8" ODF	X-6346-18	094038
Straight Thru	5/8" ODF	5/8" ODF	X-6346-16	044733
Straight Thru	5/8" ODF	7/8" ODF	X-6346-17	044846
Straight Thru	7/8" ODF	1-1/8" ODF	X-6346-34	071757



TIE SW 802460

TI SERIES THERMOSTATIC EXPANSION VALVES

The TI Series has interchangeable cages capable of changing valve capacity in the field.

FEATURES

- Stainless steel power element eliminates corrosion and prevents valve failure
- Wrench flats on inlet and outlet
- Forged brass valve body
- Inlet strainer assembly

SPECIFICATIONS

Inlet Connection Size.....3/8" SAE, Outlet 1/2" SAE
 Maximum Working Pressure..... 652 psig (45 bar)
 Maximum Bulb Temperature 165°F (74°C)

TI SERIES CAGES

CAGE SIZE	NOMINAL CAPACITY (kW)			MODEL NUMBER	ITEM NUMBER
	R-134a	R-22/R-407C	R-404A / R-507		
00	0.3	0.5	0.4	TIO-00X 800532	065087
0	0.8	1.3	1	TIO-000 800533	065088
1	1.9	3.2	2.3	TIO-001 800534	065090
2	3.1	5.3	3.9	TIO-002 800535	065091
3	5	8.5	6.2	TIO-003 800536	065092
4	8.3	13.9	10.1	TIO-004 800537	065093
5	10.1	16.9	12.3	TIO-005 800538	065094
6	11.7	19.5	14.2	TIO-006 800539	065095

NOTE: Nominal capacities in this section are based on European standards of +38°C condensing temperature, +4°C evaporating temperature and 1°K liquid subcooling at the inlet of the expansion valve. This methodology varies from the rest of the capacity tables in the TXV product offering.

MODEL NUMBER NOMENCLATURE BODIES

SERIES	EQUALIZER	SYSTEM REFRIGERANT CODE	CHARGE CODE	UNIQUE IDENTIFIER
TI	E	H	W	800533
Interchangeable Cage Capacities	E = External (Omit for Internal)	F = R-12 H = R-22 M = R-134a P = R-507 S = R-404A	C or W= Medium Temp. W (MOP) = Press. Limiting	

TI SERIES BODIES - Flare Type

EQUALIZER	SYSTEM REFRIGERANT CODE	CHARGE CODE	INLET X OUTLET SIZE	MODEL NUMBER	ITEM NUMBER
External	H (R-22/R-407C)	W (Med. Temp.)	3/8" X 1/2" SAE	TIE-HW 802421	066390
External	M (R-134a)	W (Med. Temp.)	3/8" X 1/2" SAE	TIE-MW 802446	066388
External	S (R-404A/R-507)	W (Med. Temp.)	3/8" X 1/2" SAE	TIE-SW 802460	066392
Internal	H (R-22/R-407C)	W (Med. Temp.)	3/8" X 1/2" SAE	TI-HW 802420	066389
Internal	M (R-134a)	W (Med. Temp.)	3/8" X 1/2" SAE	TI-MW 802445	066387
Internal	S (R-404A/R-507)	W (Med. Temp.)	3/8" X 1/2" SAE	TI-SW 802459	066391

NOTE: Evaporating temperature range -10°F to 40°F.



ZZ SERIES THERMOSTATIC EXPANSION VALVES

The ZZ series is designed for ultra low temperature applications such as environmental test chambers and other applications where the desired evaporator temperature is below -40°F.

FEATURES

- Take-apart construction for easy field service
- Improved internal construction extends valve life
- External equalizer standard
- Exclusive cage bellows eliminates friction at low temperatures
- External superheat adjustment
- Interchangeable cages, power assemblies and flanges

SPECIFICATIONS

Maximum Working Pressure..... 450 psig (31 bar)

ZZ SERIES CAGE KITS

VALVE	MODEL NUMBER	ITEM NUMBER
ZZC1BG, ZZC3/4RHW, ZZC3/4RW	X-10110-B1B	021288
ZZC2-1/2BG, ZZC1-1/2HW, ZZC1-1/2RW	X-10110-B2B	020871
ZZC4BG, ZZC2-1/2HW, ZZC2-1/2RW	X-10110-B3B	096091
ZZC6BG, ZZC4HW, ZZC3-1/2RW	X-10110-B4B	096312
ZZC9BG, ZZC6HW, ZZC5RW	X-10110-B5B	096425
ZZC13BG, ZZC8HW, ZZC8RW	X-10110-B6B	096646
ZZER6BG, ZZER4HW, ZZC3-1/2RW	X-10059-B4B	045362
ZZER9BG, ZZER6HW, ZZER5RW	X-10059-B5B	033697
ZZER20BG, ZZER12HW, ZZER11RW	X-10059-B6B	030071
ZZER21BG, ZZER13HW, ZZER13RW	X-10059-B7B	025100
ZZER29BG, ZZER18HW, ZZER18RW	X-10059-B8B	025101
ZZJR48BG, ZZJR30HW, ZZJR29RW	X-10060-B10B	025090
ZZJR16BG, ZZJR10HW, ZZJR9RW	X-10111-B5B	089306

ZZ-SERIES FLANGES

CONFIGURATION	INLET CONNECTION	OUTLET CONNECTION	MODEL NUMBER	ITEM NUMBER
Straight Thru	1/2" ODF	7/8" ODF	9761-2	027770
Straight Thru	3/8" ODF	5/8" ODF	9761-3	027771
Straight Thru	1/2" ODF	5/8" ODF	9761-4	027268
Straight Thru	3/8" ODF	1/2" ODF	9761-5	027769
Straight Thru	1/2" ODF	1/2" ODF	9761-9	027766
Angle	3/8" SAE	1/2" SAE	C-500-4	056932
Angle	3/8" SAE	5/8" SAE	C-500-5	057153
Angle	1/2" SAE	5/8" SAE	C-500-6	056294
Angle	3/8" SAE	1/2" ODF	C-501-4	065527
Angle	3/8" SAE	5/8" ODF	C-501-5	065748
Angle	1/2" SAE	5/8" ODF	C-501-7	065861

ZZ SERIES POWER ASSEMBLY MODEL NOMENCLATURE - Example: XC-726BG30-2B

PRINT REFERENCE	SYSTEM REFRIGERANT CODE	CHARGE CODE	CAPILLARY TUBE LENGTH CODE	EQUALIZER
XC-726	B	G30	2	B
XC-726 = Drawing Number	B = R-13/R-23 H = R-22 R = R-502	G(MOP) = Press. Limiting W(MOP) = Press. Limiting Z = Low Temp.	1 = 5 Ft. 2 = 10 Ft. 3 = 15 Ft.	B = External

ZZ SERIES POWER ASSEMBLIES

PRINT REFERENCE	SYSTEM REFRIGERANT CODE	CHARGE CODE	CAPILLARY TUBE	EQUALIZER	MODEL NUMBER	ITEM NUMBER
XC-726	B (R-13, R-23)	G30 (MOP)	10 Ft.	External	XC-726BG30-2B	094594
XC-726	B (R-13, R-23)	G125 (MOP)	10 Ft.	External	XC-726BG125-2B	039130
XC-726	H (R-22)	W35 (MOP)	10 Ft.	External	XC-726HW35-2B	024511
XC-726	H (R-22)	W65 (MOP)	10 Ft.	External	XC-726HW65-2B	025011
XC-726	H (R-22)	W85 (MOP)	15 Ft.	External	XC-726HW85-3B	023357
XC-726	H (R-22)	W100 (MOP)	10 Ft.	External	XC-726HW100-2B	036750
XC-726	H (R-22)	Z (Low Temp.)	10 Ft.	External	XC-726HZ-2B	040569

REPLACEMENT GASKET SET

MODEL NUMBER	ITEM NUMBER
X-13455-1	027579

Gasket Set includes necessary body flange gasket & seat gasket.



LCL SERIES DESUPERHEATING VALVES

The LCL take-apart Series is a de-superheating (liquid injection) valve used in conjunction with hot gas bypass to prevent excessive suction line superheat. LCL valves can be used for interstage cooling in compound systems.

FEATURES

- Stainless steel power element prevents corrosion and valve failure
- Take-apart construction for easy field service
- Interchangeable cages, body flanges, and power assemblies for versatility
- External superheat adjustment

SPECIFICATIONS

Maximum Working Pressure..... 450 psig (31 bar)

MODEL NUMBER NOMENCLATURE - Example: LCLE 1A-02

VALVE SERIES	EQUALIZER	VALVE SIZE	CHARGE CODE	SEQUENTIAL IDENTIFIER	CUSTOMER SPECIAL	PACK TYPE
LCL	E	1	A	-02		
De-Superheating Liquid Injection	E = External 1/4" SAE (Omit for Internal)	Valve Size (Contact application engineer for sizing)	See Charge Codes Table for Selection of A, B, or C	-01 Thru -99	G = Customer Special (Omit for Standard)	B1 = Bulk Pack (Omit for Individual Pack)

LCL SERIES THERMOSTATIC EXPANSION VALVES

VALVE SIZE	CHARGE CODE	INLET X OUTLET CONNECTION	EQUALIZER	CAP LENGTH	MODEL NUMBER	ITEM NUMBER
1	A	Valve Less Flange	External	5 Ft.	LCLE 1A-02	055096
1	A	Valve Less Flange	Internal	5 Ft.	LCL 1A-01	022018
1	B	Valve Less Flange	Internal	5 Ft.	LCL 1B-01	022017
2	A	Valve Less Flange	External	5 Ft.	LCLE 2A-01	022003
2	A	Valve Less Flange	Internal	5 Ft.	LCL 2A-01	022005
2	B	Valve Less Flange	External	5 Ft.	LCLE 2B-01	021997
2	B	Valve Less Flange	Internal	5 Ft.	LCL 2B-01	021996
2	C	1/2" X 5/8" ODF ANG	External	5 Ft.	LCLE 2C-01	064297
2	C	Valve Less Flange	Internal	5 Ft.	LCL 2C-01	045527
3	A	Valve Less Flange	External	5 Ft.	LCLE 3A-01	021991
3	A	Valve Less Flange	Internal	5 Ft.	LCL 3A-02	055093
3	B	Valve Less Flange	External	5 Ft.	LCLE 3B-01	021985
3	B	Valve Less Flange	Internal	5 Ft.	LCL 3B-01	021987
4	A	Valve Less Flange	External	5 Ft.	LCLE 4A-01	062885
4	B	Valve Less Flange	External	5 Ft.	LCLE 4B-01	061054
4	C	Valve Less Flange	External	5 Ft.	LCLE 4C-01	055097
6	A	Valve Less Flange	Internal	5 Ft.	LCL 6A-01	047759
6	B	Valve Less Flange	Internal	5 Ft.	LCL 6B-01	021961

LCL SERIES

THERMOSTATIC EXPANSION VALVES

LCL SERIES CHARGE CODES

SATURATED SUCTION	REFRIGERANT					
	R-22		R-134a		R-404a / R-507	
	REQUIRED SUCTION GAS		REQUIRED SUCTION GAS		REQUIRED SUCTION GAS	
TEMPERATURE	45°F	65°F	45°F	65°F	45°F	65°F
40°F	—	A	—	B	—	—
30°F	—	A	B	B	—	A
20°F	A	B	B	C	—	A
10°F	B	B	B	C	A	B
0°F	B	B	C	C	A	B
-10°F	B	C	C	C	B	B
-20°F	B	C	C	C	B	C
-30°F	C	C	C	C	B	C
-40°F	C	C	C	C	B	C

LCL SERIES CAGE KITS

VALVE	CAPACITY RANGE REFERENCE (TONS)	R-12	R-22	R-134a	R-404A / R-507	R-502	R-407C	EQUALIZER	MODEL NUMBER	ITEM NUMBER
TCL, LCL	1/4 to 1/2	1/4	1/2	1/4	1/4	1/4	1/2	Internal	X-22440-B1A	037034
TCLE, LCLE	1/4 to 1/2	1/4	1/2	1/4	1/4	1/4	1/2	External	X-22440-B1B	037035
TCL, LCL	1/2 to 1	1/2	1	3/4	1/2	1/2	1	Internal	X-22440-B2A	037036
TCLE, LCLE	1/2 to 1	1/2	1	3/4	1/2	1/2	1	External	X-22440-B2B	037037
TCL, LCL	1 to 2	1	2	1-1/2	1	1	2	Internal	X-22440-B3A	037038
TCLE, LCLE	1 to 2	1	2	1-1/2	1	1	2	External	X-22440-B3B	037039
TCL, LCL	2 to 3	2	3	2-1/2	2	2	3	Internal	X-22440-B4A	037040
TCLE, LCLE	2 to 3	2	3	2-1/2	2	2	3	External	X-22440-B4B	037041
TCLE, LCLE	3 to 5	3	4	3-1/2	3	3	5	External	X-22440-B5B	037043
TCLE, LCLE	4 to 7-1/2	4	7-1/2	5-1/2	4-1/2	4-1/2	7-1/2	External	X-22440-B6B	037045
TCLE, LCLE	6-1/2 to 10	6-1/2	10	7-1/2	7	7	10	External	X-22440-B7B	037047
TCLE, LCLE	7-1/2 to 12	7-1/2	12	9	8	8	12	External	X-22440-B8B	037049

LCL SERIES FLANGES

VALVE SERIES	CONFIGURATION	INLET CONNECTION	OUTLET CONNECTION	MODEL NUMBER	ITEM NUMBER
LCL,LCLE	Angle	3/8" SAE	1/2" SAE	C-500-4	056932
LCL,LCLE	Angle	3/8" SAE	5/8" SAE	C-500-5	057153
LCL,LCLE	Angle	1/2" SAE	5/8" SAE	C-500-6	056294
LCL,LCLE	Angle	3/8" ODF	1/2" ODF	C-501-4	065527
LCL,LCLE	Angle	3/8" ODF	5/8" ODF	C-501-5	065748
LCL,LCLE	Angle	1/2" ODF	5/8" ODF	C-501-7	065861
LCL,LCLE	Angle	5/8" ODF or 7/8" ODM	7/8" ODF or 1-1/8" ODM	A-576	027764
LCL,LCLE	Straight Thru	3/8" SAE	1/2" SAE	X-6669-4	051176
LCL,LCLE	Straight Thru	3/8" SAE	5/8" SAE	X-6669-1	050563
LCL,LCLE	Straight Thru	1/2" SAE	1/2" SAE	X-6669-5	083378
LCL,LCLE	Straight Thru	1/2" SAE	5/8" SAE	X-6669-2	050842
LCL,LCLE	Straight Thru	3/8" ODF	1/2" ODF	9761-5	027769
LCL,LCLE	Straight Thru	3/8" ODF	5/8" ODF	9761-3	027771
LCL,LCLE	Straight Thru	1/2" ODF	1/2" ODF	9761-9	027766
LCL,LCLE	Straight Thru	1/2" ODF	5/8" ODF	9761-4	027268
LCL,LCLE	Straight Thru	1/2" ODF	7/8" ODF	9761-2	027770
LCL,LCLE	Straight Thru	5/8" ODF	5/8" ODF	X-6346-16	044733
LCL,LCLE	Straight Thru	5/8" ODF	7/8" ODF	X-6346-17	044846
LCL,LCLE	Straight Thru	5/8" ODF	1-1/8" ODF	X-6346-18	094038
LCL,LCLE	Straight Thru	7/8" ODF	1-1/8" ODF	X-6346-34	071757

LCL SERIES POWER ASSEMBLY MODEL NOMENCLATURE - Example: XB-1019A-1A

PRINT REFERENCE	CHARGE CODE	CAPILLARY TUBE LENGTH	EQUALIZER
XB-1019	A	1	A
XB-1019 = Drawing Number	A B C See LCL Series Charge Code Table for Suction Gas Temperature by Gas Type	1 = 5 Ft.	A = Internal B = External

LCL SERIES POWER ASSEMBLIES

PRINT REFERENCE	CHARGE CODE	CAPILLARY TUBE	EQUALIZER	MODEL NUMBER	ITEM NUMBER
XB-1019	A	5 Ft.	Internal	XB-1019A-1A	037389
XB-1019	A	5 Ft.	External	XB-1019A-1B	034803
XB-1019	B	5 Ft.	External	XB-1019B-1B	032207
XB-1019	C	5 Ft.	External	XB-1019C-1B	035162

REPLACEMENT GASKET SET

MODEL NUMBER	ITEM NUMBER
X-13455-1	027579

Gasket Set includes necessary body flange gasket & seat gasket.

ACP AUTOMATIC VALVES

ACP valves are designed for small units where heat load is reasonably constant. ACP's are ideal for room air conditioners, refrigerators, drink dispensers, coolers, freezers and ice makers.



ACP 4-07

FEATURES

- Friction-free floating design
- Hermetic, leak-free construction
- Can be used as a small capacity hot gas bypass valve
- Mass spectrometer tested to ensure less than 0.10 oz/year external leakage rate
- Fully adjustable from 0-80 psig (factory setting 40 psig)
- Available with internal or external equalizer
- SAE or ODF connections available

SPECIFICATIONS

Maximum Working Pressure..... 500 psig (35 bar)
 Maximum Working Temperature..... 300°F (149°C)
 UR/CUR File Number SA5312
 Canadian CRN 0C21506.513467890YTN

MODEL NUMBER NOMENCLATURE - Example: ACPE 4-02

SERIES	EQUALIZER	PORT DIAMETER	SEQUENTIAL IDENTIFIER	CUSTOMER SPECIAL	PACK TYPE
ACP	E	4	-01	G	
Valve Series	E = External (Omit for Internal)	1 = 0.05" 2 = 0.06" 3 = 0.1" 4 = 0.11" 5 = 0.13" 6 = 0.14" 7 = 0.17" 8 = 0.2" 9 = 0.23"	-01 Thru -99	G = Customer Special (Omit for Standard)	B1 = Bulk Pack (Omit for Individual Pack)

NOMINAL CAPACITY TABLES FOR INTERCHANGEABLE REFRIGERANTS IN TONS (kW)

VALVE	PORT DIAMETER (IN)	R-12/R-134a	R-407C/R-22	R-502/R-404A/R-507
		PRESSURE DROP ACROSS VALVE - PSI		
		60	100	100
ACP(E)1	0.05	0.31	0.44	0.29
ACP(E)2	0.06	0.41	0.57	0.38
ACP(E)3	0.10	0.65	0.91	0.61
ACP(E)4	0.11	0.90	1.30	0.87
ACP(E)5	0.13	1.40	1.96	1.31
ACP(E)6	0.14	1.90	2.67	1.78
ACP(E)7	0.17	2.30	3.28	2.19
ACP(E)8	0.20	2.70	3.75	2.50
ACP(E)9	0.23	3.80	5.32	3.55

All capacities shown are at 100°F condensing, 40°F evaporator temperature.
 See Extended Capacity Tables for ratings at a wide range of conditions per AHRI standard 750.

ACP AUTOMATIC VALVES

ACP TYPE	EQUALIZER	EQUALIZER TYPE	PORT REFERENCE	BODY STYLE	INLET X OUTLET CONNECTION	MODEL NUMBER	ITEM NUMBER
ACP	Internal	—	1	Straight Thru	1/4" X 3/8" ODF	ACP 1-12	057233
ACP	Internal	—	1	Angle	1/4" X 3/8" ODF	ACP 1-13	047680
ACP	Internal	—	1	Angle	1/4" X 3/8-1/2" SAE	ACP 1-14	046838
ACP	Internal	—	1	Angle	1/4" X 3/8" SAE	ACP 1-15	056240
ACPE	External	1/4" SAE	1	Straight Thru	1/4" X 3/8" SAE	ACPE 1-03	047280
ACP	Internal	—	2	Angle	1/4" X 3/8" SAE	ACP 2-14	046839
ACP	Internal	—	2	Angle	1/4" X 3/8" ODF	ACP 2-15	047651
ACP	Internal	—	3	Angle	1/4" X 3/8" SAE	ACP 3-12	046840
ACP	Internal	—	3	Angle	1/4" X 3/8" ODF	ACP 3-13	047283
ACP	Internal	—	4	Angle	1/4" X 3/8" SAE	ACP 4-06	047101
ACP	Internal	—	4	Angle	1/4" X 3/8" ODF	ACP 4-07	047105
ACPE	External	1/4" SAE	4	Angle	1/4" X 3/8" ODF	ACPE 4-02	053231
ACP	Internal	—	5	Angle	1/4" X 3/8" SAE	ACP 5-11	047332
ACP	Internal	—	5	Angle	1/4" X 3/8" ODF	ACP 5-12	047284
ACP	Internal	—	5	Angle	3/8" X 3/8" ODF	ACP 5-13	053374
ACP	Internal	—	5	Angle	3/8" X 3/8-1/2" SAE	ACP 5-14	049204
ACP	Internal	—	6	Angle	1/4" X 3/8" SAE	ACP 6-05	047653
ACP	Internal	—	6	Angle	1/4" X 3/8" ODF	ACP 6-06	047652
ACP	Internal	—	6	Angle	3/8" X 3/8" ODF	ACP 6-07	065922
ACP	Internal	—	7	Angle	3/8" X 1/2" ODF	ACP 7-09	047654
ACP	Internal	—	7	Angle	3/8" X 3/8-1/2" SAE	ACP 7-10	047285
ACPE	External	1/4" SAE	7	Angle	3/8" X 1/2" ODF	ACPE 7-02	047790
ACP	Internal	—	8	Angle	3/8" X 1/2" ODF	ACP 8-06	047655
ACP	Internal	—	9	Angle	1/2" X 5/8" ODF	ACP 9-11	057771
ACP	Internal	—	9	Angle	3/8" X 1/2" ODF	ACP 9-12	047657
ACP	Internal	—	9	Straight Thru	3/8" X 3/8" SAE	ACP 9-13	057327
ACP	Internal	—	9	Angle	3/8" X 3/8" ODF	ACP 9-14	057209
ACP	Internal	—	9	Angle	3/8" X 3/8-1/2" SAE	ACP 9-15	047658
ACP	Internal	—	9	Angle	1/4" X 3/8" ODF	ACP 9-16	052773
ACPE	External	1/4" SAE	9	Straight Thru	1/2" X 5/8" ODF	ACPE 9-09	058674
ACPE	External	1/4" ODF	9	Angle	3/8" X 1/2" ODF	ACPE 9-10	057017
ACPE	External	1/4" SAE	9	Straight Thru	3/8" X 1/2" ODF	ACPE 9-11	048657

Capacity
Tables (kW)



CONVENTIONAL PORTED VALVE CAPACITY TABLES

R-12 CONVENTIONAL PORTED VALVES (TONS) – A SERIES AND T SERIES

VALVE TYPE	NOMINAL RATING	EVAPORATOR TEMPERATURE																	
		50°F						40°F						20°F					
		PRESSURE DROP ACROSS VALVE (PSI)						PRESSURE DROP ACROSS VALVE (PSI)						PRESSURE DROP ACROSS VALVE (PSI)					
		60	80	100	125	150	175	60	80	100	125	150	175	60	80	100	125	150	175
AA/AN/AAC/ANC/AFA	1/8	0.20	0.23	0.26	0.29	0.32	0.34	0.20	0.23	0.26	0.29	0.32	0.34	0.19	0.22	0.25	0.27	0.30	0.32
AA/AN/AAC/ANC/AFA	1/4	0.35	0.40	0.45	0.51	0.55	0.60	0.34	0.39	0.44	0.49	0.54	0.58	0.33	0.38	0.43	0.48	0.52	0.56
AA/AN/AAC/ANC/AFA	1/2	0.56	0.65	0.72	0.81	0.89	0.96	0.55	0.64	0.71	0.79	0.87	0.94	0.53	0.61	0.68	0.76	0.84	0.91
AA/AN/AAC/ANC/AFA	1	0.80	0.92	1.03	1.15	1.26	1.37	0.79	0.91	1.02	1.14	1.25	1.35	0.76	0.88	0.98	1.10	1.20	1.30
AA/AN/AAC/ANC/AFA	1-1/2	1.66	1.92	2.14	2.40	2.62	2.83	1.63	1.88	2.10	2.35	2.58	2.78	1.58	1.80	2.01	2.25	2.47	2.66
AA/AN/AAC/ANC/AFA	2	2.04	2.36	2.63	2.94	3.23	3.48	2.00	2.31	2.58	2.89	3.16	3.42	1.92	2.22	2.48	2.77	3.04	3.28
AA/AN/AAC/ANC/AFA	2-1/2	2.42	2.79	3.12	3.49	3.83	4.13	2.37	2.74	3.06	3.42	3.75	4.05	2.28	2.63	2.94	3.29	3.60	3.89
AA/AN/AAC/ANC/AFA	3	3.31	3.82	4.27	4.78	5.23	5.65	3.24	3.74	4.18	4.68	5.12	5.53	3.11	3.59	4.01	4.49	4.92	5.31
TCLE	1/4	0.30	0.35	0.38	0.43	0.47	0.51	0.30	0.35	0.39	0.43	0.47	0.51	0.28	0.32	0.36	0.40	0.44	0.48
TCLE	1/2	0.57	0.66	0.74	0.82	0.90	0.97	0.56	0.65	0.72	0.81	0.89	0.96	0.53	0.61	0.68	0.76	0.84	0.91
TCLE	1	1.15	1.33	1.48	1.66	1.82	1.96	1.13	1.30	1.48	1.63	1.79	1.93	1.08	1.25	1.39	1.56	1.71	1.84
TCLE	2	2.12	2.45	2.74	3.06	3.35	3.62	2.08	2.40	2.69	3.00	3.29	3.55	1.99	2.30	2.57	2.84	3.15	3.40
TCLE	3	3.09	3.57	3.99	4.46	4.89	5.28	3.03	3.50	3.91	4.37	4.79	5.17	2.90	3.35	3.74	4.19	4.59	4.95
TCLE	4	4.48	5.17	5.78	6.47	7.08	7.65	4.39	5.07	5.67	6.34	6.94	7.50	4.21	4.86	5.44	6.08	6.66	7.19
TCLE	6-1/2	6.17	7.12	7.97	8.91	9.76	10.54	6.05	6.99	7.81	8.73	9.57	10.33	5.80	6.70	7.49	8.37	9.17	9.91
TCLE	7-1/2	7.44	8.59	9.60	10.74	11.76	12.71	7.30	8.43	9.42	10.54	11.54	12.47	7.00	8.08	9.04	10.10	11.07	11.95
TJL	7	6.59	7.51	8.51	9.51	10.42	11.25	6.47	7.47	8.35	9.34	10.23	11.05	6.20	7.16	8.00	8.95	9.80	10.59
TJL	8	8.41	9.71	10.86	12.14	13.30	14.36	8.25	9.53	10.65	11.91	13.04	14.09	7.91	9.13	10.21	11.42	12.51	13.51

NOTE: Standard capacity is rated at 100F liquid inlet and 40F evaporator temperature; with 60 psi pressure drop across the TXV per ARI 750-2001.

VALVE TYPE	NOMINAL RATING	EVAPORATOR TEMPERATURE																	
		0°F						-20°F						-40°F					
		PRESSURE DROP ACROSS VALVE (PSI)						PRESSURE DROP ACROSS VALVE (PSI)						PRESSURE DROP ACROSS VALVE (PSI)					
		60	80	100	125	150	175	80	100	125	150	175	200	80	100	125	150	175	200
AA/AN/AAC/ANC/AFA	1/8	0.17	0.2	0.22	0.25	0.27	0.29	0.13	0.15	0.16	0.18	0.19	0.21	0.08	0.09	0.1	0.11	0.12	0.13
AA/AN/AAC/ANC/AFA	1/4	0.29	0.33	0.37	0.42	0.46	0.5	0.23	0.26	0.29	0.31	0.34	0.36	0.15	0.17	0.19	0.21	0.22	0.24
AA/AN/AAC/ANC/AFA	1/2	0.47	0.54	0.61	0.68	0.74	0.8	0.37	0.41	0.46	0.51	0.55	0.59	0.24	0.27	0.3	0.33	0.35	0.38
AA/AN/AAC/ANC/AFA	1	0.67	0.77	0.86	0.97	1.06	1.14	0.53	0.59	0.66	0.73	0.78	0.84	0.34	0.38	0.43	0.47	0.5	0.54
AA/AN/AAC/ANC/AFA	1-1/2	1.39	1.61	1.79	2.01	2.2	2.37	1.09	1.22	1.36	1.49	1.61	1.72	0.71	0.79	0.89	0.97	1.05	1.12
AA/AN/AAC/ANC/AFA	2	1.7	1.96	2.19	2.45	2.69	2.9	1.33	1.49	1.66	1.82	1.97	2.1	0.87	0.97	1.09	1.19	1.29	1.38
AA/AN/AAC/ANC/AFA	2-1/2	2.02	2.33	2.61	2.92	3.19	3.45	1.58	1.77	1.98	2.16	2.34	2.50	1.03	1.15	1.29	1.41	1.52	1.63
AA/AN/AAC/ANC/AFA	3	2.76	3.19	3.56	3.98	4.36	4.71	2.16	2.41	2.7	2.96	3.19	3.42	1.4	1.57	1.75	1.92	2.07	2.21
TCLE	1/4	0.25	0.29	0.32	0.36	0.4	0.43	0.2	0.22	0.25	0.27	0.3	0.32	0.13	0.15	0.16	0.18	0.19	0.21
TCLE	1/2	0.47	0.54	0.61	0.68	0.74	0.8	0.37	0.41	0.46	0.51	0.55	0.59	0.24	0.27	0.3	0.33	0.35	0.38
TCLE	1	0.96	1.11	1.24	1.39	1.52	1.64	0.75	0.84	0.94	1.03	1.11	1.19	0.49	0.55	0.61	0.67	0.72	0.77
TCLE	2	1.76	2.03	2.27	2.54	2.78	3.01	1.38	1.54	1.73	1.89	2.04	2.18	0.9	1.01	1.13	1.23	1.33	1.42
TCLE	3	2.57	2.97	3.32	3.71	4.06	4.39	2.01	2.25	2.51	2.75	2.97	3.18	1.31	1.46	1.64	1.79	1.94	2.07
TCLE	4	3.73	4.31	4.82	5.38	5.9	6.37	2.92	3.26	3.65	4	4.32	4.62	1.9	2.12	2.38	2.6	2.81	3
TCLE	6-1/2	5.14	5.94	6.64	7.42	8.13	8.78	4.03	4.51	5.04	5.52	5.96	6.37	2.62	2.93	3.28	3.59	3.88	4.14
TCLE	7-1/2	6.2	7.16	8	8.95	9.8	10.59	4.86	5.43	6.08	6.65	7.19	7.68	3.16	3.53	3.95	4.33	4.67	5
TJL	7	5.49	6.34	7.09	7.92	8.68	9.38	4.3	4.81	5.38	5.89	6.36	6.8	2.8	3.13	3.5	3.83	4.14	4.43
TJL	8	7	8.08	9.04	10.1	11.07	11.95	5.49	6.14	6.86	7.52	8.12	8.68	3.57	3.99	4.46	4.89	5.28	5.64

REFRIGERANT LIQUID TEMPERATURE VALVE CAPACITY MULTIPLIER CORRECTION FACTORS

	REFRIGERANT LIQUID TEMPERATURE °F															
	0	10	20	30	40	50	60	70	80	90	100	110	120	130	140	
R-12	1.60	1.54	1.48	1.42	1.36	1.30	1.24	1.18	1.12	1.06	1.00	0.94	0.88	0.82	0.75	
R-134a	1.70	1.63	1.56	1.49	1.42	1.36	1.29	1.21	1.14	1.07	1.00	0.93	0.85	0.78	0.71	
R-22	1.56	1.51	1.45	1.40	1.34	1.29	1.23	1.17	1.12	1.06	1.00	0.94	0.88	0.82	0.76	
R-404A/R-507	2.00	1.90	1.80	1.70	1.60	1.50	1.40	1.30	1.20	1.10	1.00	0.90	0.80	0.70	0.50	
R-450A/R-513A	1.73	1.65	1.58	1.51	1.44	1.36	1.29	1.22	1.15	1.07	1.00	0.93	0.85	0.78	0.70	
R-448A/R-449A	1.71	1.64	1.57	1.50	1.43	1.36	1.29	1.22	1.15	1.07	1.00	0.92	0.85	0.77	0.69	

These factors include corrections for liquid refrigerant density and net refrigerating effect and are based on an average evaporator temperature of 0°F. However, they may be used for any evaporator temperature from -40°F to +40°F since the variation in the actual factors across this range is insignificant.

R-22 CONVENTIONAL PORTED VALVES (TONS) A SERIES | AFA SERIES | T SERIES

VALVE TYPE	NOMINAL RATING	EVAPORATOR TEMPERATURE																	
		50°F					40°F					20°F							
		PRESSURE DROP ACROSS VALVE (PSI)					PRESSURE DROP ACROSS VALVE (PSI)					PRESSURE DROP ACROSS VALVE (PSI)							
		60	80	100	125	150	175	60	80	100	125	150	175	60	80	100	125	150	175
AA/AN/AFA	1/5	0.15	0.17	0.19	0.22	0.24	0.26	0.15	0.17	0.19	0.21	0.23	0.25	0.14	0.16	0.18	0.20	0.22	0.24
AA/AN/AAC/ANC	1/4	0.26	0.30	0.34	0.38	0.41	0.44	0.26	0.30	0.33	0.37	0.40	0.44	0.25	0.29	0.32	0.36	0.40	0.43
AA/AN/AAC/ANC/AFA	1/2	0.46	0.53	0.59	0.66	0.73	0.79	0.45	0.52	0.58	0.65	0.71	0.77	0.44	0.51	0.57	0.64	0.70	0.75
AA/AN/AAC/ANC/AFA	1	0.73	0.84	0.94	1.05	1.15	1.25	0.72	0.83	0.93	1.04	1.14	1.23	0.70	0.81	0.90	1.01	1.11	1.20
AA/AN/AAC/ANC/AFA	1-1/2	1.05	1.21	1.36	1.52	1.66	1.79	1.03	1.19	1.33	1.49	1.63	1.76	1.01	1.17	1.30	1.46	1.60	1.72
AA/AN/AAC/ANC/AFA	2	1.54	1.78	1.99	2.22	2.43	2.63	1.52	1.75	1.96	2.19	2.40	2.59	1.48	1.71	1.91	2.14	2.34	2.53
AA/AN/AAC/ANC/AFA	2-1/2	2.16	2.49	2.79	3.12	3.42	3.69	2.13	2.46	2.75	3.07	3.37	3.64	2.08	2.40	2.69	3.00	3.29	3.55
AA/AN/AAC/ANC/AFA	3	2.65	3.06	3.42	3.82	4.19	4.53	2.61	3.01	3.37	3.77	4.13	4.46	2.55	2.94	3.29	3.68	4.03	4.35
AA/AN/AAC/ANC/AFA	4	3.14	3.63	4.05	4.53	4.96	5.36	3.10	3.58	4.00	4.47	4.90	5.29	3.03	3.50	3.91	4.37	4.79	5.17
AA/AN/AAC/ANC/AFA	5	4.30	4.97	5.55	6.21	6.80	7.34	4.24	4.89	5.47	6.12	6.70	7.24	4.14	4.78	5.34	5.98	6.55	7.07
TCLE	1/2	0.39	0.45	0.50	0.56	0.62	0.67	0.39	0.45	0.50	0.56	0.61	0.66	0.38	0.44	0.49	0.55	0.60	0.65
TCLE	1	0.74	0.85	0.96	1.07	1.17	1.26	0.73	0.84	0.94	1.05	1.15	1.24	0.71	0.82	0.92	1.02	1.12	1.21
TCLE	2	1.49	1.72	1.92	2.15	2.36	2.54	1.47	1.70	1.90	2.12	2.33	2.51	1.44	1.66	1.86	2.08	2.28	2.46
TCLE	3	2.75	3.18	3.55	3.97	4.35	4.70	2.71	3.13	3.50	3.91	4.29	4.63	2.65	3.06	3.42	3.82	4.19	4.53
TCLE	5	4.01	4.63	5.18	5.79	6.34	6.85	3.95	4.56	5.10	5.70	6.25	6.75	3.86	4.46	4.98	5.57	6.10	6.59
TCLE	7-1/2	5.82	6.72	7.51	8.40	9.20	9.94	5.75	6.64	7.42	8.30	9.09	9.82	5.60	6.47	7.23	8.08	8.85	9.56
TCLE	10	8.02	9.26	10.35	11.58	12.68	13.70	7.92	9.15	10.23	11.44	12.53	13.53	7.72	8.91	9.97	11.14	12.21	13.18
TCLE	12	9.67	11.17	12.48	13.96	15.29	16.51	9.55	11.03	12.33	13.79	15.10	16.31	9.31	10.75	12.02	13.44	14.72	15.90
TJL	11	8.57	9.90	11.06	12.37	13.55	14.64	8.47	9.78	10.93	12.22	13.39	14.46	8.25	9.53	10.65	11.91	13.04	14.09
TJL	14	10.92	12.61	14.10	15.76	17.27	18.65	10.80	12.47	13.94	15.59	17.07	18.44	10.52	12.15	13.58	15.18	16.63	17.97

NOTE: Standard capacity is rated at 100°F liquid inlet and 40°F evaporator temperature; with 100 psi pressure drop across the TXV per ARI 750-2001.

VALVE TYPE	NOMINAL RATING	EVAPORATOR TEMPERATURE																	
		0°F					-20°F					-40°F							
		PRESSURE DROP ACROSS VALVE (PSI)					PRESSURE DROP ACROSS VALVE (PSI)					PRESSURE DROP ACROSS VALVE (PSI)							
		60	80	100	125	150	175	80	100	125	150	175	200	80	100	125	150	175	200
AA/AN/AFA	1/5	0.13	0.15	0.17	0.19	0.21	0.22	0.10	0.11	0.13	0.14	0.15	0.16	0.07	0.08	0.09	0.10	0.10	0.11
AA/AN/AAC/ANC	1/4	0.23	0.27	0.30	0.33	0.36	0.39	0.18	0.20	0.23	0.25	0.27	0.28	0.12	0.13	0.15	0.16	0.18	0.19
AA/AN/AAC/ANC/AFA	1/2	0.40	0.46	0.52	0.58	0.63	0.68	0.32	0.36	0.40	0.44	0.47	0.51	0.21	0.23	0.26	0.29	0.31	0.33
AA/AN/AAC/ANC/AFA	1	0.64	0.74	0.83	0.92	1.01	1.09	0.51	0.57	0.64	0.70	0.75	0.81	0.34	0.38	0.43	0.47	0.50	0.54
AA/AN/AAC/ANC/AFA	1-1/2	0.91	1.05	1.17	1.31	1.44	1.55	0.73	0.82	0.91	1.00	1.08	1.15	0.48	0.54	0.60	0.66	0.71	0.76
AA/AN/AAC/ANC/AFA	2	1.35	1.56	1.74	1.95	2.13	2.31	1.07	1.20	1.34	1.47	1.58	1.69	0.71	0.79	0.89	0.97	1.05	1.12
AA/AN/AAC/ANC/AFA	2-1/2	1.89	2.18	2.44	2.73	2.99	3.23	1.51	1.69	1.89	2.07	2.23	2.39	0.99	1.11	1.24	1.36	1.46	1.57
AA/AN/AAC/ANC/AFA	3	2.31	2.67	2.98	3.33	3.65	3.95	1.85	2.07	2.31	2.53	2.74	2.93	1.22	1.36	1.53	1.67	1.80	1.93
AA/AN/AAC/ANC/AFA	4	2.75	3.18	3.55	3.97	4.35	4.70	2.19	2.45	2.74	3.00	3.24	3.46	1.44	1.61	1.80	1.97	2.13	2.28
AA/AN/AAC/ANC/AFA	5	3.75	4.33	4.84	5.41	5.93	6.40	3.00	3.35	3.75	4.11	4.44	4.74	1.97	2.20	2.46	2.70	2.91	3.11
TCLE	1/2	0.34	0.39	0.44	0.49	0.54	0.58	0.27	0.30	0.34	0.37	0.40	0.43	0.18	0.20	0.23	0.25	0.27	0.28
TCLE	1	0.65	0.75	0.84	0.94	1.03	1.11	0.52	0.58	0.65	0.71	0.77	0.82	0.34	0.38	0.43	0.47	0.50	0.54
TCLE	2	1.30	1.50	1.68	1.88	2.06	2.22	1.04	1.16	1.30	1.42	1.54	1.64	0.69	0.77	0.86	0.94	1.02	1.09
TCLE	3	2.40	2.77	3.10	3.46	3.79	4.10	1.92	2.15	2.40	2.63	2.84	3.04	1.26	1.41	1.58	1.73	1.86	1.99
TCLE	5	3.50	4.04	4.52	5.05	5.53	5.98	2.79	3.12	3.49	3.82	4.13	4.41	1.84	2.06	2.30	2.52	2.72	2.91
TCLE	7-1/2	5.08	5.87	6.56	7.33	8.03	8.68	4.05	4.53	5.06	5.55	5.99	6.40	2.67	2.99	3.34	3.66	3.95	4.22
TCLE	10	7.00	8.08	9.04	10.10	11.07	11.95	5.59	6.25	6.99	7.65	8.27	8.84	3.68	4.11	4.60	5.04	5.44	5.82
TCLE	12	8.44	9.75	10.90	12.18	13.34	14.41	6.74	7.54	8.43	9.23	9.97	10.66	4.44	4.96	5.55	6.08	6.57	7.02
TJL	11	7.48	8.64	9.66	10.80	11.83	12.77	5.97	6.67	7.46	8.17	8.83	9.44	3.93	4.39	4.91	5.38	5.81	6.21
TJL	14	9.54	11.02	12.32	13.77	15.08	16.29	7.62	8.52	9.53	10.43	11.27	12.05	5.02	5.61	6.28	6.87	7.42	7.94

REFRIGERANT LIQUID TEMPERATURE VALVE CAPACITY MULTIPLIER CORRECTION FACTORS

	REFRIGERANT LIQUID TEMPERATURE °F														
	0	10	20	30	40	50	60	70	80	90	100	110	120	130	140
R-12	1.60	1.54	1.48	1.42	1.36	1.30	1.24	1.18	1.12	1.06	1.00	0.94	0.88	0.82	0.75
R-134a	1.70	1.63	1.56	1.49	1.42	1.36	1.29	1.21	1.14	1.07	1.00	0.93	0.85	0.78	0.71
R-22	1.56	1.51	1.45	1.40	1.34	1.29	1.23	1.17	1.12	1.06	1.00	0.94	0.88	0.82	0.76
R-404A/R-507	2.00	1.90	1.80	1.70	1.60	1.50	1.40	1.30	1.20	1.10	1.00	0.90	0.80	0.70	0.50
R-450A/R-513A	1.73	1.65	1.58	1.51	1.44	1.36	1.29	1.22	1.15	1.07	1.00	0.93	0.85	0.78	0.70
R-448A/R-449A	1.71	1.64	1.57	1.50	1.43	1.36	1.29	1.22	1.15	1.07	1.00	0.92	0.85	0.77	0.69

These factors include corrections for liquid refrigerant density and net refrigerating effect and are based on an average evaporator temperature of 0°F. However, they may be used for any evaporator temperature from -40°F to +40°F since the variation in the actual factors across this range is insignificant.

R-134a CONVENTIONAL

TXV EXTENDED CAPACITY TABLES

R-134A CONVENTIONAL PORTED VALVES (TONS) A SERIES | AFA SERIES | T SERIES

VALVE TYPE	NOMINAL RATING	EVAPORATOR TEMPERATURE																	
		50°F					40°F					20°F							
		PRESSURE DROP ACROSS VALVE (PSI)					PRESSURE DROP ACROSS VALVE (PSI)					PRESSURE DROP ACROSS VALVE (PSI)							
		60	80	100	125	150	175	60	80	100	125	150	175	60	80	100	125	150	175
AA/AN/AFA	1/8	0.14	0.16	0.18	0.20	0.22	0.24	0.14	0.16	0.18	0.20	0.22	0.24	0.13	0.15	0.17	0.19	0.21	0.22
AA/AN/AAC/ANC/AFA	1/4	0.25	0.29	0.32	0.36	0.40	0.43	0.24	0.28	0.31	0.35	0.38	0.41	0.23	0.27	0.30	0.33	0.36	0.39
AA/AN/AAC/ANC/AFA	1/2	0.43	0.50	0.56	0.62	0.68	0.73	0.43	0.50	0.56	0.62	0.68	0.73	0.41	0.47	0.53	0.59	0.65	0.70
AA/AN/AAC/ANC/AFA	3/4	0.70	0.81	0.90	1.01	1.11	1.20	0.68	0.79	0.88	0.98	1.08	1.16	0.65	0.75	0.84	0.94	1.03	1.11
AA/AN/AAC/ANC/AFA	1	1.00	1.15	1.29	1.44	1.58	1.71	0.98	1.13	1.27	1.41	1.55	1.67	0.93	1.07	1.20	1.34	1.47	1.59
AA/AN/AAC/ANC/AFA	1-1/2	1.47	1.70	1.90	2.12	2.32	2.51	1.44	1.66	1.86	2.08	2.28	2.46	1.38	1.59	1.78	1.99	2.18	2.36
AA/AN/AAC/ANC/AFA	2	2.06	2.38	2.66	2.97	3.26	3.52	2.02	2.33	2.61	2.92	3.19	3.45	1.93	2.23	2.49	2.79	3.05	3.30
AA/AN/AAC/ANC/AFA	2-1/2	2.53	2.92	3.27	3.65	4.00	4.32	2.47	2.85	3.19	3.57	3.91	4.22	2.37	2.74	3.06	3.42	3.75	4.05
AA/AN/AAC/ANC/AFA	3	3.00	3.46	3.87	4.33	4.74	5.12	2.94	3.39	3.80	4.24	4.65	5.02	2.81	3.24	3.63	4.06	4.44	4.80
AA/AN/AAC/ANC/AFA	4	4.10	4.73	5.29	5.92	6.48	7.00	4.02	4.64	5.19	5.80	6.36	6.87	3.84	4.43	4.96	5.54	6.07	6.56
TCLE	1/4	0.37	0.43	0.48	0.53	0.59	0.63	0.37	0.43	0.48	0.53	0.59	0.63	0.35	0.40	0.45	0.51	0.55	0.60
TCLE	3/4	0.70	0.81	0.90	1.01	1.11	1.20	0.69	0.80	0.89	1.00	1.09	1.18	0.66	0.76	0.85	0.95	1.04	1.13
TCLE	1-1/2	1.42	1.64	1.83	2.05	2.25	2.43	1.39	1.61	1.79	2.01	2.20	2.37	1.33	1.54	1.72	1.92	2.10	2.27
TCLE	2-1/2	2.62	3.03	3.38	3.78	4.14	4.47	2.57	2.97	3.32	3.71	4.06	4.39	2.46	2.84	3.18	3.55	3.89	4.20
TCLE	3-1/2	3.82	4.41	4.93	5.51	6.04	6.52	3.74	4.32	4.83	5.40	5.91	6.39	3.58	4.13	4.62	5.17	5.66	6.11
TCLE	5-1/2	5.55	6.41	7.17	8.01	8.78	9.48	5.43	6.27	7.01	7.84	8.59	9.27	5.20	6.00	6.71	7.51	8.22	8.88
TCLE	7-1/2	7.65	8.83	9.88	11.04	12.10	13.06	7.49	8.65	9.67	10.81	11.84	12.79	7.16	8.27	9.24	10.33	11.32	12.23
TCLE	9	9.22	10.65	11.90	13.31	14.58	15.75	9.03	10.43	11.66	13.03	14.28	15.42	8.64	9.98	11.15	12.47	13.66	14.76
TJL	9	8.17	9.43	10.55	11.79	12.92	13.95	8.00	9.24	10.33	11.55	12.65	13.66	7.65	8.83	9.88	11.04	12.10	13.06
TJL	11	10.42	12.03	13.45	15.04	16.48	17.80	10.20	11.78	13.17	14.72	16.13	17.42	9.76	11.27	12.60	14.09	15.43	16.67

NOTE: Standard capacity is rated at 100°F liquid inlet and 40°F evaporator temperature; with 60 psi pressure drop across the TXV per ARI 750-2001.

VALVE TYPE	NOMINAL RATING	EVAPORATOR TEMPERATURE																	
		0°F						-20°F						-40°F					
		PRESSURE DROP ACROSS VALVE (PSI)						PRESSURE DROP ACROSS VALVE (PSI)						PRESSURE DROP ACROSS VALVE (PSI)					
		60	80	100	125	150	175	80	100	125	150	175	200	80	100	125	150	175	200
AA/AN/AFA	1/8	0.11	0.13	0.14	0.16	0.17	0.19	0.08	0.09	0.10	0.11	0.12	0.13	0.05	0.06	0.06	0.07	0.07	0.08
AA/AN/AAC/ANC/AFA	1/4	0.19	0.22	0.25	0.27	0.30	0.32	0.14	0.16	0.18	0.19	0.21	0.22	0.09	0.10	0.11	0.12	0.13	0.14
AA/AN/AAC/ANC/AFA	1/2	0.34	0.39	0.44	0.49	0.54	0.58	0.25	0.28	0.31	0.34	0.37	0.40	0.15	0.17	0.19	0.21	0.22	0.24
AA/AN/AAC/ANC/AFA	3/4	0.54	0.62	0.70	0.78	0.85	0.92	0.40	0.45	0.50	0.55	0.59	0.63	0.25	0.28	0.31	0.34	0.37	0.40
AA/AN/AAC/ANC/AFA	1	0.77	0.89	0.99	1.11	1.22	1.32	0.57	0.64	0.71	0.78	0.84	0.90	0.35	0.39	0.44	0.48	0.52	0.55
AA/AN/AAC/ANC/AFA	1-1/2	1.13	1.30	1.46	1.63	1.79	1.93	0.85	0.95	1.06	1.16	1.26	1.34	0.52	0.58	0.65	0.71	0.77	0.82
AA/AN/AAC/ANC/AFA	2	1.59	1.84	2.05	2.29	2.51	2.72	1.19	1.33	1.49	1.63	1.76	1.88	0.73	0.82	0.91	1.00	1.08	1.15
AA/AN/AAC/ANC/AFA	2-1/2	1.95	2.25	2.52	2.81	3.08	3.33	1.45	1.62	1.81	1.99	2.14	2.29	0.89	1.00	1.11	1.22	1.32	1.41
AA/AN/AAC/ANC/AFA	3	2.31	2.67	2.98	3.33	3.65	3.95	1.72	1.92	2.15	2.36	2.54	2.72	1.06	1.19	1.33	1.45	1.57	1.68
AA/AN/AAC/ANC/AFA	4	3.16	3.65	4.08	4.56	5.00	5.40	2.36	2.64	2.95	3.23	3.49	3.73	1.45	1.62	1.81	1.99	2.14	2.29
TCLE	1/4	0.29	0.33	0.37	0.42	0.46	0.50	0.22	0.25	0.28	0.30	0.33	0.35	0.13	0.15	0.16	0.18	0.19	0.21
TCLE	3/4	0.54	0.62	0.70	0.78	0.85	0.92	0.41	0.46	0.51	0.56	0.61	0.65	0.25	0.28	0.31	0.34	0.37	0.40
TCLE	1-1/2	1.10	1.27	1.42	1.59	1.74	1.88	0.82	0.92	1.03	1.12	1.21	1.30	0.50	0.56	0.63	0.68	0.74	0.79
TCLE	2-1/2	2.02	2.33	2.61	2.92	3.19	3.45	1.51	1.69	1.89	2.07	2.23	2.39	0.93	1.04	1.16	1.27	1.38	1.47
TCLE	3-1/2	2.95	3.41	3.81	4.26	4.66	5.04	2.20	2.46	2.75	3.01	3.25	3.48	1.35	1.51	1.69	1.85	2.00	2.13
TCLE	5-1/2	4.28	4.94	5.53	6.18	6.77	7.31	3.19	3.57	3.99	4.37	4.72	5.04	1.96	2.19	2.45	2.68	2.90	3.10
TCLE	7-1/2	5.90	6.81	7.62	8.52	9.33	10.08	4.40	4.92	5.50	6.02	6.51	6.96	2.70	3.02	3.38	3.70	3.99	4.27
TCLE	9	7.11	8.21	9.18	10.26	11.24	12.14	5.30	5.93	6.63	7.26	7.84	8.38	3.26	3.64	4.08	4.46	4.82	5.15
TJL	9	6.30	7.27	8.13	9.09	9.96	10.76	4.70	5.25	5.88	6.44	6.95	7.43	2.89	3.23	3.61	3.96	4.27	4.57
TJL	11	8.03	9.27	10.37	11.59	12.70	13.71	5.99	6.70	7.49	8.20	8.86	9.47	3.68	4.11	4.60	5.04	5.44	5.82

REFRIGERANT LIQUID TEMPERATURE VALVE CAPACITY MULTIPLIER CORRECTION FACTORS

	REFRIGERANT LIQUID TEMPERATURE °F														
	0	10	20	30	40	50	60	70	80	90	100	110	120	130	140
R-12	1.60	1.54	1.48	1.42	1.36	1.30	1.24	1.18	1.12	1.06	1.00	0.94	0.88	0.82	0.75
R-134a	1.70	1.63	1.56	1.49	1.42	1.36	1.29	1.21	1.14	1.07	1.00	0.93	0.85	0.78	0.71
R-22	1.56	1.51	1.45	1.40	1.34	1.29	1.23	1.17	1.12	1.06	1.00	0.94	0.88	0.82	0.76
R-404A/R-507	2.00	1.90	1.80	1.70	1.60	1.50	1.40	1.30	1.20	1.10	1.00	0.90	0.80	0.70	0.50
R-450A/R-513A	1.73	1.65	1.58	1.51	1.44	1.36	1.29	1.22	1.15	1.07	1.00	0.93	0.85	0.78	0.70
R-448A/R-449A	1.71	1.64	1.57	1.50	1.43	1.36	1.29	1.22	1.15	1.07	1.00	0.92	0.85	0.77	0.69

These factors include corrections for liquid refrigerant density and net refrigerating effect and are based on an average evaporator temperature of 0°F. However, they may be used for any evaporator temperature from -40°F to +40°F since the variation in the actual factors across this range is insignificant.

R-290 CONVENTIONAL PORTED VALVES (TONS) A SERIES

VALVE TYPE	NOMINAL RATING	EVAPORATOR TEMPERATURE																	
		50°F						40°F						20°F					
		PRESSURE DROP ACROSS VALVE (PSI)						PRESSURE DROP ACROSS VALVE (PSI)						PRESSURE DROP ACROSS VALVE (PSI)					
		60	80	100	125	150	175	60	80	100	125	150	175	60	80	100	125	150	175
AA/AN/AFA	1/5	0.14	0.16	0.18	0.20	0.22	0.24	0.14	0.16	0.18	0.20	0.21	0.23	0.13	0.15	0.17	0.19	0.21	0.22
AA/AN/AAC/ANC	1/4	0.24	0.28	0.31	0.35	0.38	0.41	0.24	0.27	0.30	0.34	0.37	0.40	0.23	0.26	0.29	0.33	0.36	0.38
AA/AN/AAC/ANC/AFA	1/2	0.42	0.49	0.55	0.61	0.67	0.72	0.41	0.48	0.53	0.60	0.66	0.71	0.40	0.46	0.51	0.57	0.63	0.68
AA/AN/AAC/ANC/AFA	1	0.68	0.78	0.88	0.98	1.07	1.16	0.66	0.77	0.86	0.96	1.05	1.13	0.64	0.73	0.82	0.92	1.00	1.08
AA/AN/AAC/ANC/AFA	1-1/2	0.97	1.12	1.25	1.40	1.53	1.66	0.95	1.10	1.23	1.37	1.50	1.62	0.91	1.05	1.17	1.31	1.44	1.55
AA/AN/AAC/ANC/AFA	2	1.43	1.65	1.85	2.06	2.26	2.44	1.40	1.62	1.81	2.02	2.21	2.39	1.34	1.55	1.73	1.93	2.12	2.29
AA/AN/AAC/ANC/AFA	2-1/2	2.01	2.32	2.59	2.90	3.17	3.43	1.96	2.27	2.54	2.84	3.11	3.36	1.88	2.17	2.42	2.71	2.97	3.21
AA/AN/AAC/ANC/AFA	3	2.46	2.84	3.17	3.55	3.89	4.20	2.41	2.78	3.11	3.48	3.81	4.11	2.30	2.66	2.97	3.32	3.64	3.93
AA/AN/AAC/ANC/AFA	4	2.92	3.37	3.77	4.21	4.61	4.98	2.86	3.30	3.69	4.12	4.52	4.88	2.73	3.15	3.53	3.94	4.32	4.67
AA/AN/AAC/ANC/AFA	5	3.99	4.61	5.15	5.76	6.31	6.82	3.91	4.51	5.04	5.64	6.18	6.67	3.74	4.31	4.82	5.39	5.91	6.38

Standard capacity is rated at 100°F liquid inlet and 40°F evaporator temperature; with 100 psi pressure drop across the TXV per ARI 750-2001.

VALVE TYPE	NOMINAL RATING	EVAPORATOR TEMPERATURE																	
		0°F						-20°F						-40°F					
		PRESSURE DROP ACROSS VALVE (PSI)						PRESSURE DROP ACROSS VALVE (PSI)						PRESSURE DROP ACROSS VALVE (PSI)					
		60	80	100	125	150	175	80	100	125	150	175	200	80	100	125	150	175	200
AA/AN/AFA	1/5	0.11	0.12	0.14	0.15	0.17	0.18	0.08	0.10	0.11	0.12	0.13	0.13	0.06	0.06	0.07	0.08	0.08	0.09
AA/AN/AAC/ANC	1/4	0.18	0.21	0.24	0.26	0.29	0.31	0.15	0.17	0.18	0.20	0.22	0.23	0.10	0.11	0.12	0.14	0.15	0.16
AA/AN/AAC/ANC/AFA	1/2	0.32	0.37	0.42	0.47	0.51	0.55	0.26	0.29	0.32	0.36	0.38	0.41	0.17	0.19	0.22	0.24	0.26	0.27
AA/AN/AAC/ANC/AFA	1	0.52	0.60	0.67	0.75	0.82	0.88	0.42	0.47	0.52	0.57	0.62	0.66	0.28	0.31	0.35	0.38	0.41	0.44
AA/AN/AAC/ANC/AFA	1-1/2	0.74	0.85	0.95	1.07	1.17	1.26	0.59	0.67	0.74	0.81	0.88	0.94	0.40	0.45	0.50	0.55	0.59	0.63
AA/AN/AAC/ANC/AFA	2	1.09	1.26	1.41	1.57	1.72	1.86	0.88	0.98	1.10	1.20	1.30	1.39	0.59	0.66	0.73	0.80	0.87	0.93
AA/AN/AAC/ANC/AFA	2-1/2	1.53	1.76	1.97	2.20	2.42	2.61	1.23	1.38	1.54	1.68	1.82	1.95	0.82	0.92	1.03	1.13	1.22	1.30
AA/AN/AAC/ANC/AFA	3	1.87	2.16	2.42	2.70	2.96	3.20	1.51	1.69	1.88	2.06	2.23	2.38	1.01	1.13	1.26	1.38	1.49	1.60
AA/AN/AAC/ANC/AFA	4	2.22	2.57	2.87	3.21	3.51	3.79	1.79	2.00	2.24	2.45	2.65	2.83	1.20	1.34	1.50	1.64	1.77	1.89
AA/AN/AAC/ANC/AFA	5	3.04	3.51	3.92	4.39	4.80	5.19	2.45	2.74	3.06	3.35	3.62	3.87	1.64	1.83	2.05	2.24	2.42	2.59

REFRIGERANT LIQUID TEMPERATURE VALVE CAPACITY MULTIPLIER CORRECTION FACTORS

	REFRIGERANT LIQUID TEMPERATURE °F														
	0	10	20	30	40	50	60	70	80	90	100	110	120	130	140
R-12	1.60	1.54	1.48	1.42	1.36	1.30	1.24	1.18	1.12	1.06	1.00	0.94	0.88	0.82	0.75
R-134a	1.70	1.63	1.56	1.49	1.42	1.36	1.29	1.21	1.14	1.07	1.00	0.93	0.85	0.78	0.71
R-22	1.56	1.51	1.45	1.40	1.34	1.29	1.23	1.17	1.12	1.06	1.00	0.94	0.88	0.82	0.76
R-404A/R-507	2.00	1.90	1.80	1.70	1.60	1.50	1.40	1.30	1.20	1.10	1.00	0.90	0.80	0.70	0.50
R-450A/R-513A	1.73	1.65	1.58	1.51	1.44	1.36	1.29	1.22	1.15	1.07	1.00	0.93	0.85	0.78	0.70
R-448A/R-449A	1.71	1.64	1.57	1.50	1.43	1.36	1.29	1.22	1.15	1.07	1.00	0.92	0.85	0.77	0.69

These factors include corrections for liquid refrigerant density and net refrigerating effect and are based on an average evaporator temperature of 0°F. However, they may be used for any evaporator temperature from -40°F to +40°F since the variation in the actual factors across this range is insignificant.

R-404A / R-507 CONVENTIONAL

TXV EXTENDED CAPACITY TABLES

R-404A / R-507 CONVENTIONAL PORTED VALVES (TONS) A-SERIES / AFA SERIES / T SERIES

VALVE TYPE	NOMINAL RATING	EVAPORATOR TEMPERATURE																	
		50°F						40°F						20°F					
		PRESSURE DROP ACROSS VALVE (PSI)						PRESSURE DROP ACROSS VALVE (PSI)						PRESSURE DROP ACROSS VALVE (PSI)					
		60	80	100	125	150	175	60	80	100	125	150	175	60	80	100	125	150	175
AA/AN/AFA	1/8	0.14	0.16	0.18	0.20	0.22	0.24	0.14	0.16	0.18	0.20	0.22	0.24	0.13	0.15	0.17	0.19	0.21	0.22
AA/AN/AAC/ANC/AFA	1/4	0.25	0.29	0.32	0.36	0.40	0.43	0.24	0.28	0.31	0.35	0.38	0.41	0.23	0.27	0.30	0.33	0.36	0.39
AA/AN/AAC/ANC/AFA	1/2	0.43	0.50	0.56	0.62	0.68	0.73	0.43	0.50	0.56	0.62	0.68	0.73	0.41	0.47	0.53	0.59	0.65	0.70
AA/AN/AAC/ANC/AFA	3/4	0.70	0.81	0.90	1.01	1.11	1.20	0.68	0.79	0.88	0.98	1.08	1.16	0.65	0.75	0.84	0.94	1.03	1.11
AA/AN/AAC/ANC/AFA	1	1.00	1.15	1.29	1.44	1.58	1.71	0.98	1.13	1.27	1.41	1.55	1.67	0.93	1.07	1.20	1.34	1.47	1.59
AA/AN/AAC/ANC/AFA	1-1/2	1.47	1.70	1.90	2.12	2.32	2.51	1.44	1.66	1.86	2.08	2.28	2.46	1.38	1.59	1.78	1.99	2.18	2.36
AA/AN/AAC/ANC/AFA	2	2.06	2.38	2.66	2.97	3.26	3.52	2.02	2.33	2.61	2.92	3.19	3.45	1.93	2.23	2.49	2.79	3.05	3.30
AA/AN/AAC/ANC/AFA	2-1/2	2.53	2.92	3.27	3.65	4.00	4.32	2.47	2.85	3.19	3.57	3.91	4.22	2.37	2.74	3.06	3.42	3.75	4.05
AA/AN/AAC/ANC/AFA	3	3.00	3.46	3.87	4.33	4.74	5.12	2.94	3.39	3.80	4.24	4.65	5.02	2.81	3.24	3.63	4.06	4.44	4.80
AA/AN/AAC/ANC/AFA	4	4.10	4.73	5.29	5.92	6.48	7.00	4.02	4.64	5.19	5.80	6.36	6.87	3.84	4.43	4.96	5.54	6.07	6.56
TCLE	1/4	0.37	0.43	0.48	0.53	0.59	0.63	0.37	0.43	0.48	0.53	0.59	0.63	0.35	0.40	0.45	0.51	0.55	0.60
TCLE	3/4	0.70	0.81	0.90	1.01	1.11	1.20	0.69	0.80	0.89	1.00	1.09	1.18	0.66	0.76	0.85	0.95	1.04	1.13
TCLE	1-1/2	1.42	1.64	1.83	2.05	2.25	2.43	1.39	1.61	1.79	2.01	2.20	2.37	1.33	1.54	1.72	1.92	2.10	2.27
TCLE	2-1/2	2.62	3.03	3.38	3.78	4.14	4.47	2.57	2.97	3.32	3.71	4.06	4.39	2.46	2.84	3.18	3.55	3.89	4.20
TCLE	3-1/2	3.82	4.41	4.93	5.51	6.04	6.52	3.74	4.32	4.83	5.40	5.91	6.39	3.58	4.13	4.62	5.17	5.66	6.11
TCLE	5-1/2	5.55	6.41	7.17	8.01	8.78	9.48	5.43	6.27	7.01	7.84	8.59	9.27	5.20	6.00	6.71	7.51	8.22	8.88
TCLE	7-1/2	7.65	8.83	9.88	11.04	12.10	13.06	7.49	8.65	9.67	10.81	11.84	12.79	7.16	8.27	9.24	10.33	11.32	12.23
TCLE	9	9.22	10.65	11.90	13.31	14.58	15.75	9.03	10.43	11.66	13.03	14.28	15.42	8.64	9.98	11.15	12.47	13.66	14.76
TJL	9	8.17	9.43	10.55	11.79	12.92	13.95	8.00	9.24	10.33	11.55	12.65	13.66	7.65	8.83	9.88	11.04	12.10	13.06
TJL	11	10.42	12.03	13.45	15.04	16.48	17.80	10.20	11.78	13.17	14.72	16.13	17.42	9.76	11.27	12.60	14.09	15.43	16.67

NOTE: Standard capacity is rated at 100°F liquid inlet and 40°F evaporator temperature; with 100 psi pressure drop across the TXV per ARI 750-2001.

VALVE TYPE	NOMINAL RATING	EVAPORATOR TEMPERATURE																	
		0°F						-20°F						-40°F					
		PRESSURE DROP ACROSS VALVE (PSI)						PRESSURE DROP ACROSS VALVE (PSI)						PRESSURE DROP ACROSS VALVE (PSI)					
		60	80	100	125	150	175	80	100	125	150	175	200	80	100	125	150	175	200
AA/AN/AFA	1/8	0.09	0.10	0.12	0.13	0.14	0.15	0.07	0.08	0.09	0.10	0.10	0.11	0.05	0.06	0.06	0.07	0.07	0.08
AA/AN/AAC/ANC/AFA	1/4	0.16	0.18	0.21	0.23	0.25	0.27	0.12	0.13	0.15	0.16	0.18	0.19	0.08	0.09	0.10	0.11	0.12	0.13
AA/AN/AAC/ANC/AFA	1/2	0.28	0.32	0.36	0.40	0.44	0.48	0.22	0.25	0.28	0.30	0.33	0.35	0.14	0.16	0.18	0.19	0.21	0.22
AA/AN/AAC/ANC/AFA	3/4	0.44	0.51	0.57	0.64	0.70	0.75	0.35	0.39	0.44	0.48	0.52	0.55	0.23	0.26	0.29	0.31	0.34	0.36
AA/AN/AAC/ANC/AFA	1	0.63	0.73	0.81	0.91	1.00	1.08	0.50	0.56	0.63	0.68	0.74	0.79	0.32	0.36	0.40	0.44	0.47	0.51
AA/AN/AAC/ANC/AFA	1-1/4	0.93	1.07	1.20	1.34	1.47	1.59	0.73	0.82	0.91	1.00	1.08	1.15	0.48	0.54	0.60	0.66	0.71	0.76
AA/AN/AAC/ANC/AFA	2	1.31	1.51	1.69	1.89	2.07	2.24	1.03	1.15	1.29	1.41	1.52	1.63	0.67	0.75	0.84	0.92	0.99	1.06
AA/AN/AAC/ANC/AFA	2-1/4	1.61	1.86	2.08	2.32	2.55	2.75	1.26	1.41	1.58	1.73	1.86	1.99	0.82	0.92	1.03	1.12	1.21	1.30
AA/AN/AAC/ANC/AFA	2-1/2	1.91	2.21	2.47	2.76	3.02	3.26	1.50	1.68	1.88	2.05	2.22	2.37	0.98	1.10	1.23	1.34	1.45	1.55
AA/AN/AAC/ANC/AFA	3-1/2	2.61	3.01	3.37	3.77	4.13	4.46	2.04	2.28	2.55	2.79	3.02	3.23	1.34	1.50	1.68	1.83	1.98	2.12
TCLE	1/4	0.24	0.28	0.31	0.35	0.38	0.41	0.19	0.21	0.24	0.26	0.28	0.30	0.12	0.13	0.15	0.16	0.18	0.19
TCLE	1/2	0.45	0.52	0.58	0.65	0.71	0.77	0.35	0.39	0.44	0.48	0.52	0.55	0.23	0.26	0.29	0.31	0.34	0.36
TCLE	1	0.91	1.05	1.17	1.31	1.44	1.55	0.71	0.79	0.89	0.97	1.05	1.12	0.46	0.51	0.58	0.63	0.68	0.73
TCLE	2	1.67	1.93	2.16	2.41	2.64	2.85	1.31	1.46	1.64	1.79	1.94	2.07	0.86	0.96	1.08	1.18	1.27	1.36
TCLE	3	2.43	2.81	3.14	3.51	3.84	4.15	1.91	2.14	2.39	2.62	2.82	3.02	1.25	1.40	1.56	1.71	1.85	1.98
TCLE	4-1/2	3.53	4.08	4.56	5.10	5.58	6.03	2.77	3.10	3.46	3.79	4.10	4.38	1.81	2.02	2.26	2.48	2.68	2.86
TCLE	7	4.86	5.61	6.27	7.01	7.68	8.30	3.81	4.26	4.76	5.22	5.64	6.02	2.49	2.78	3.11	3.41	3.68	3.94
TCLE	8	5.86	6.77	7.57	8.46	9.27	10.01	4.60	5.14	5.75	6.30	6.80	7.27	3.01	3.37	3.76	4.12	4.45	4.76
TJL	7	5.19	5.99	6.70	7.49	8.21	8.86	4.07	4.55	5.09	5.57	6.02	6.44	2.66	2.97	3.33	3.64	3.93	4.21
TJL	9	6.62	7.64	8.55	9.56	10.47	11.31	5.20	5.81	6.50	7.12	7.69	8.22	3.40	3.80	4.25	4.66	5.03	5.38

REFRIGERANT LIQUID TEMPERATURE VALVE CAPACITY MULTIPLIER CORRECTION FACTORS

	REFRIGERANT LIQUID TEMPERATURE °F														
	0	10	20	30	40	50	60	70	80	90	100	110	120	130	140
R-12	1.60	1.54	1.48	1.42	1.36	1.30	1.24	1.18	1.12	1.06	1.00	0.94	0.88	0.82	0.75
R-134a	1.70	1.63	1.56	1.49	1.42	1.36	1.29	1.21	1.14	1.07	1.00	0.93	0.85	0.78	0.71
R-22	1.56	1.51	1.45	1.40	1.34	1.29	1.23	1.17	1.12	1.06	1.00	0.94	0.88	0.82	0.76
R-404A/R-507	2.00	1.90	1.80	1.70	1.60	1.50	1.40	1.30	1.20	1.10	1.00	0.90	0.80	0.70	0.50
R-450A/R-513A	1.73	1.65	1.58	1.51	1.44	1.36	1.29	1.22	1.15	1.07	1.00	0.93	0.85	0.78	0.70
R-448A/R-449A	1.71	1.64	1.57	1.50	1.43	1.36	1.29	1.22	1.15	1.07	1.00	0.92	0.85	0.77	0.69

These factors include corrections for liquid refrigerant density and net refrigerating effect and are based on an average evaporator temperature of 0°F. However, they may be used for any evaporator temperature from -40°F to +40°F since the variation in the actual factors across this range is insignificant.

R-407A CONVENTIONAL PORTED VALVES (TONS) A SERIES / AFA SERIES

VALVE TYPE	NOMINAL RATING	EVAPORATOR TEMPERATURE																	
		50°F					40°F					20°F							
		PRESSURE DROP ACROSS VALVE (PSI)					PRESSURE DROP ACROSS VALVE (PSI)					PRESSURE DROP ACROSS VALVE (PSI)							
		60	80	100	125	150	175	60	80	100	125	150	175	60	80	100	125	150	175
AA/AN/AFA	1/8	0.15	0.17	0.19	0.22	0.24	0.25	0.15	0.17	0.19	0.21	0.23	0.25	0.14	0.16	0.18	0.20	0.22	0.24
AA/AN/AAC/ANC	1/4	0.26	0.30	0.33	0.37	0.41	0.44	0.25	0.29	0.33	0.37	0.40	0.43	0.25	0.28	0.32	0.35	0.39	0.42
AA/AN/AAC/ANC/AFA	1/2	0.46	0.53	0.59	0.66	0.72	0.78	0.45	0.52	0.58	0.65	0.71	0.76	0.43	0.50	0.56	0.62	0.68	0.74
AA/AN/AAC/ANC/AFA	1	0.73	0.84	0.94	1.05	1.15	1.25	0.72	0.83	0.93	1.04	1.13	1.23	0.69	0.80	0.89	1.00	1.09	1.18
AA/AN/AAC/ANC/AFA	1-1/2	1.04	1.21	1.35	1.51	1.65	1.78	1.03	1.19	1.32	1.48	1.62	1.75	0.99	1.14	1.28	1.43	1.56	1.69
AA/AN/AAC/ANC/AFA	2	1.54	1.78	1.99	2.22	2.43	2.63	1.51	1.75	1.95	2.18	2.39	2.58	1.46	1.68	1.88	2.10	2.30	2.49
AA/AN/AAC/ANC/AFA	2-1/2	2.16	2.49	2.79	3.11	3.41	3.69	2.12	2.45	2.74	3.06	3.36	3.62	2.04	2.36	2.64	2.95	3.23	3.49
AA/AN/AAC/ANC/AFA	3-1/2	2.64	3.05	3.41	3.82	4.18	4.52	2.60	3.00	3.36	3.75	4.11	4.44	2.51	2.89	3.23	3.62	3.96	4.28
AA/AN/AAC/ANC/AFA	4	3.14	3.62	4.05	4.53	4.96	5.36	3.09	3.56	3.98	4.46	4.88	5.27	2.97	3.43	3.84	4.29	4.70	5.08
AA/AN/AAC/ANC/AFA	5-1/2	4.29	4.96	5.54	6.20	6.79	7.33	4.22	4.87	5.45	6.09	6.67	7.21	4.07	4.70	5.25	5.87	6.43	6.94

VALVE TYPE	NOMINAL RATING	EVAPORATOR TEMPERATURE																	
		0°F					-20°F					-40°F							
		PRESSURE DROP ACROSS VALVE (PSI)					PRESSURE DROP ACROSS VALVE (PSI)					PRESSURE DROP ACROSS VALVE (PSI)							
		60	80	100	125	150	175	80	100	125	150	175	200	80	100	125	150	175	200
AA/AN/AFA	1/8	0.13	0.15	0.17	0.19	0.20	0.22	0.10	0.11	0.12	0.14	0.15	0.16	0.06	0.07	0.08	0.09	0.09	0.10
AA/AN/AAC/ANC	1/4	0.22	0.26	0.29	0.32	0.35	0.38	0.17	0.19	0.22	0.24	0.26	0.27	0.11	0.12	0.14	0.15	0.16	0.17
AA/AN/AAC/ANC/AFA	1/2	0.39	0.46	0.51	0.57	0.62	0.67	0.30	0.34	0.38	0.42	0.45	0.48	0.19	0.21	0.24	0.26	0.28	0.30
AA/AN/AAC/ANC/AFA	1	0.63	0.73	0.82	0.91	1.00	1.08	0.49	0.54	0.61	0.67	0.72	0.77	0.31	0.34	0.39	0.42	0.46	0.49
AA/AN/AAC/ANC/AFA	1-1/2	0.90	1.04	1.17	1.31	1.43	1.55	0.70	0.78	0.87	0.95	1.03	1.10	0.44	0.49	0.55	0.60	0.65	0.70
AA/AN/AAC/ANC/AFA	2	1.33	1.54	1.72	1.92	2.11	2.28	1.03	1.15	1.28	1.40	1.52	1.62	0.65	0.73	0.81	0.89	0.96	1.03
AA/AN/AAC/ANC/AFA	2-1/2	1.87	2.16	2.42	2.70	2.96	3.20	1.44	1.61	1.80	1.97	2.13	2.27	0.91	1.02	1.14	1.25	1.35	1.44
AA/AN/AAC/ANC/AFA	3-1/2	2.29	2.65	2.96	3.31	3.63	3.92	1.76	1.97	2.20	2.41	2.61	2.79	1.12	1.25	1.40	1.53	1.65	1.77
AA/AN/AAC/ANC/AFA	4	2.72	3.14	3.51	3.93	4.30	4.65	2.09	2.34	2.62	2.87	3.10	3.31	1.33	1.48	1.66	1.81	1.96	2.10
AA/AN/AAC/ANC/AFA	5-1/2	3.72	4.30	4.80	5.37	5.88	6.36	2.86	3.20	3.58	3.92	4.23	4.52	1.81	2.03	2.27	2.48	2.68	2.87

REFRIGERANT LIQUID TEMPERATURE VALVE CAPACITY MULTIPLIER CORRECTION FACTORS

	REFRIGERANT LIQUID TEMPERATURE °F														
	0	10	20	30	40	50	60	70	80	90	100	110	120	130	140
R-12	1.60	1.54	1.48	1.42	1.36	1.30	1.24	1.18	1.12	1.06	1.00	0.94	0.88	0.82	0.75
R-134a	1.70	1.63	1.56	1.49	1.42	1.36	1.29	1.21	1.14	1.07	1.00	0.93	0.85	0.78	0.71
R-22	1.56	1.51	1.45	1.40	1.34	1.29	1.23	1.17	1.12	1.06	1.00	0.94	0.88	0.82	0.76
R-404A/R-507	2.00	1.90	1.80	1.70	1.60	1.50	1.40	1.30	1.20	1.10	1.00	0.90	0.80	0.70	0.50
R-450A/R-513A	1.73	1.65	1.58	1.51	1.44	1.36	1.29	1.22	1.15	1.07	1.00	0.93	0.85	0.78	0.70
R-448A/R-449A	1.71	1.64	1.57	1.50	1.43	1.36	1.29	1.22	1.15	1.07	1.00	0.92	0.85	0.77	0.69

These factors include corrections for liquid refrigerant density and net refrigerating effect and are based on an average evaporator temperature of 0°F. However, they may be used for any evaporator temperature from -40°F to +40°F since the variation in the actual factors across this range is insignificant.

R-407C CONVENTIONAL

TXV EXTENDED CAPACITY TABLES

R-407C CONVENTIONAL PORTED VALVES (TONS) A SERIES | AFA SERIES | T SERIES

VALVE TYPE	NOMINAL RATING	EVAPORATOR TEMPERATURE																	
		50°F						40°F						20°F					
		PRESSURE DROP ACROSS VALVE (PSI)						PRESSURE DROP ACROSS VALVE (PSI)						PRESSURE DROP ACROSS VALVE (PSI)					
60	80	100	125	150	175	60	80	100	125	150	175	60	80	100	125	150	175		
AA/AN/AFA	1/5	0.14	0.16	0.18	0.20	0.22	0.24	0.14	0.16	0.18	0.20	0.22	0.24	0.14	0.16	0.18	0.20	0.22	0.24
AA/AN/AAC/ANC/AFA	1/4	0.25	0.29	0.32	0.36	0.40	0.43	0.24	0.28	0.31	0.35	0.38	0.41	0.23	0.27	0.30	0.33	0.36	0.39
AA/AN/AAC/ANC/AFA	1/2	0.44	0.51	0.57	0.64	0.70	0.75	0.43	0.50	0.56	0.62	0.68	0.73	0.41	0.47	0.53	0.59	0.65	0.70
AA/AN/AAC/ANC/AFA	1	0.70	0.81	0.90	1.01	1.11	1.20	0.69	0.80	0.89	1.00	1.09	1.18	0.66	0.76	0.85	0.95	1.04	1.13
AA/AN/AAC/ANC/AFA	1-1/4	1.00	1.15	1.29	1.44	1.58	1.71	0.98	1.13	1.27	1.41	1.55	1.67	0.95	1.10	1.23	1.37	1.50	1.62
AA/AN/AAC/ANC/AFA	2	1.48	1.71	1.91	2.14	2.34	2.53	1.45	1.67	1.87	2.09	2.29	2.48	1.39	1.61	1.79	2.01	2.20	2.37
AA/AN/AAC/ANC/AFA	2-1/2	2.07	2.39	2.67	2.99	3.27	3.54	2.04	2.36	2.63	2.94	3.23	3.48	1.95	2.25	2.52	2.81	3.08	3.33
AA/AN/AAC/ANC/AFA	3-1/4	2.54	2.93	3.28	3.67	4.02	4.34	2.49	2.88	3.21	3.59	3.94	4.25	2.39	2.76	3.09	3.45	3.78	4.08
AA/AN/AAC/ANC/AFA	4	3.02	3.49	3.90	4.36	4.78	5.16	2.96	3.42	3.82	4.27	4.68	5.06	2.84	3.28	3.67	4.10	4.49	4.85
AA/AN/AAC/ANC/AFA	5-1/4	4.12	4.76	5.32	5.95	6.51	7.04	4.05	4.68	5.23	5.85	6.40	6.92	3.89	4.49	5.02	5.61	6.15	6.64
TCLE	1/2	0.38	0.44	0.49	0.55	0.60	0.65	0.37	0.43	0.48	0.53	0.59	0.63	0.36	0.42	0.46	0.52	0.57	0.61
TCLE	1	0.71	0.82	0.92	1.02	1.12	1.21	0.70	0.81	0.90	1.01	1.11	1.20	0.67	0.77	0.86	0.97	1.06	1.14
TCLE	2	1.43	1.65	1.85	2.06	2.26	2.44	1.41	1.63	1.82	2.04	2.23	2.41	1.35	1.56	1.74	1.95	2.13	2.31
TCLE	3	2.64	3.05	3.41	3.81	4.17	4.51	2.59	2.99	3.34	3.74	4.10	4.42	2.49	2.88	3.21	3.59	3.94	4.25
TCLE	5	3.85	4.45	4.97	5.56	6.09	6.58	3.77	4.35	4.87	5.44	5.96	6.44	3.62	4.18	4.67	5.23	5.72	6.18
TCLE	7-1/2	5.58	6.44	7.20	8.05	8.82	9.53	5.48	6.33	7.07	7.91	8.66	9.36	5.26	6.07	6.79	7.59	8.32	8.98
TCLE	10	7.69	8.88	9.93	11.10	12.16	13.13	7.55	8.72	9.75	10.90	11.94	12.89	7.25	8.37	9.36	10.46	11.46	12.38
TCLE	12	9.27	10.70	11.97	13.38	14.66	15.83	9.10	10.51	11.75	13.13	14.39	15.54	8.74	10.09	11.28	12.62	13.82	14.93
TJL	11	8.22	9.49	10.61	11.86	13.00	14.04	8.07	9.32	10.42	11.65	12.76	13.78	7.75	8.95	10.01	11.19	12.25	13.24
TJL	14	10.48	12.10	13.53	15.13	16.57	17.90	10.29	11.88	13.28	14.85	16.27	17.57	9.88	11.41	12.76	14.26	15.62	16.87

NOTE: Standard capacity is rated at 100°F liquid inlet and 40°F evaporator temperature; with 100 psi pressure drop across the TXV per ARI 750-2001.

VALVE TYPE	NOMINAL RATING	EVAPORATOR TEMPERATURE																	
		0°F						-20°F						-40°F					
		PRESSURE DROP ACROSS VALVE (PSI)						PRESSURE DROP ACROSS VALVE (PSI)						PRESSURE DROP ACROSS VALVE (PSI)					
60	80	100	125	150	175	80	100	125	150	175	200	80	100	125	150	175	200		
AA/AN/AFA	1/5	0.11	0.13	0.14	0.16	0.17	0.19	0.09	0.10	0.11	0.12	0.13	0.14	0.05	0.06	0.06	0.07	0.07	0.08
AA/AN/AAC/ANC/AFA	1/4	0.20	0.23	0.26	0.29	0.32	0.34	0.15	0.17	0.19	0.21	0.22	0.24	0.09	0.10	0.11	0.12	0.13	0.14
AA/AN/AAC/ANC/AFA	1/2	0.35	0.40	0.45	0.51	0.55	0.60	0.26	0.29	0.33	0.36	0.38	0.41	0.17	0.19	0.21	0.23	0.25	0.27
AA/AN/AAC/ANC/AFA	1	0.56	0.65	0.72	0.81	0.89	0.96	0.42	0.47	0.53	0.58	0.62	0.66	0.27	0.30	0.34	0.37	0.40	0.43
AA/AN/AAC/ANC/AFA	1-1/4	0.80	0.92	1.03	1.15	1.26	1.37	0.61	0.68	0.76	0.84	0.90	0.96	0.38	0.42	0.48	0.52	0.56	0.60
AA/AN/AAC/ANC/AFA	2	1.18	1.36	1.52	1.70	1.87	2.02	0.90	1.01	1.13	1.23	1.33	1.42	0.56	0.63	0.70	0.77	0.83	0.89
AA/AN/AAC/ANC/AFA	2-1/2	1.65	1.91	2.13	2.38	2.61	2.82	1.26	1.41	1.58	1.73	1.86	1.99	0.79	0.88	0.99	1.08	1.17	1.25
AA/AN/AAC/ANC/AFA	3-1/4	2.02	2.33	2.61	2.92	3.19	3.45	1.54	1.72	1.93	2.11	2.28	2.43	0.97	1.08	1.21	1.33	1.43	1.53
AA/AN/AAC/ANC/AFA	4	2.40	2.77	3.10	3.46	3.79	4.10	1.83	2.05	2.29	2.51	2.71	2.89	1.15	1.29	1.44	1.57	1.70	1.82
AA/AN/AAC/ANC/AFA	5-1/4	3.28	3.79	4.23	4.73	5.19	5.60	2.50	2.80	3.13	3.42	3.70	3.95	1.57	1.76	1.96	2.15	2.32	2.48
TCLE	1/2	0.30	0.35	0.39	0.43	0.47	0.51	0.23	0.26	0.29	0.31	0.34	0.36	0.14	0.16	0.18	0.19	0.21	0.22
TCLE	1	0.56	0.65	0.72	0.81	0.89	0.96	0.43	0.48	0.54	0.59	0.64	0.68	0.27	0.30	0.34	0.37	0.40	0.43
TCLE	2	1.14	1.32	1.47	1.65	1.80	1.95	0.87	0.97	1.09	1.19	1.29	1.38	0.55	0.61	0.69	0.75	0.81	0.87
TCLE	3	2.10	2.42	2.71	3.03	3.32	3.59	1.60	1.79	2.00	2.19	2.37	2.53	1.01	1.13	1.26	1.38	1.49	1.60
TCLE	5	3.06	3.53	3.95	4.42	4.84	5.23	2.33	2.61	2.91	3.19	3.45	3.68	1.47	1.64	1.84	2.01	2.17	2.32
TCLE	7-1/2	4.44	5.13	5.73	6.41	7.02	7.58	3.38	3.78	4.23	4.63	5.00	5.34	2.13	2.38	2.66	2.92	3.15	3.37
TCLE	10	6.12	7.07	7.90	8.83	9.68	10.45	4.66	5.21	5.83	6.38	6.89	7.37	2.93	3.28	3.66	4.01	4.33	4.63
TCLE	12	7.38	8.52	9.53	10.65	11.67	12.60	5.62	6.28	7.03	7.70	8.31	8.89	3.54	3.96	4.43	4.85	5.24	5.60
TJL	11	6.54	7.55	8.44	9.44	10.34	11.17	4.98	5.57	6.23	6.82	7.37	7.87	3.13	3.50	3.91	4.29	4.63	4.95
TJL	14	8.34	9.63	10.77	12.04	13.19	14.24	6.35	7.10	7.94	8.70	9.39	10.04	4.00	4.47	5.00	5.48	5.92	6.32

REFRIGERANT LIQUID TEMPERATURE VALVE CAPACITY MULTIPLIER CORRECTION FACTORS

	REFRIGERANT LIQUID TEMPERATURE °F														
	0	10	20	30	40	50	60	70	80	90	100	110	120	130	140
R-12	1.60	1.54	1.48	1.42	1.36	1.30	1.24	1.18	1.12	1.06	1.00	0.94	0.88	0.82	0.75
R-134a	1.70	1.63	1.56	1.49	1.42	1.36	1.29	1.21	1.14	1.07	1.00	0.93	0.85	0.78	0.71
R-22	1.56	1.51	1.45	1.40	1.34	1.29	1.23	1.17	1.12	1.06	1.00	0.94	0.88	0.82	0.76
R-404A/R-507	2.00	1.90	1.80	1.70	1.60	1.50	1.40	1.30	1.20	1.10	1.00	0.90	0.80	0.70	0.50
R-450A/R-513A	1.73	1.65	1.58	1.51	1.44	1.36	1.29	1.22	1.15	1.07	1.00	0.93	0.85	0.78	0.70
R-448A/R-449A	1.71	1.64	1.57	1.50	1.43	1.36	1.29	1.22	1.15	1.07	1.00	0.92	0.85	0.77	0.69

These factors include corrections for liquid refrigerant density and net refrigerating effect and are based on an average evaporator temperature of 0°F. However, they may be used for any evaporator temperature from -40°F to +40°F since the variation in the actual factors across this range is insignificant.

R-407H CONVENTIONAL PORTED VALVES (TONS) A SERIES

VALVE TYPE	NOMINAL RATING	EVAPORATOR TEMPERATURE																	
		50°F					40°F					20°F							
		PRESSURE DROP ACROSS VALVE (PSI)					PRESSURE DROP ACROSS VALVE (PSI)					PRESSURE DROP ACROSS VALVE (PSI)							
		60	80	100	125	150	175	60	80	100	125	150	175	60	80	100	125	150	175
AA/AN/AFA	1/4	0.18	0.20	0.23	0.25	0.28	0.30	0.17	0.20	0.22	0.25	0.27	0.30	0.17	0.19	0.22	0.24	0.27	0.29
AA/AN/AAC/ANC	1/2	0.31	0.35	0.40	0.44	0.48	0.52	0.30	0.35	0.39	0.44	0.48	0.52	0.29	0.34	0.38	0.42	0.46	0.50
AA/AN/AAC/ANC/AFA	3/4	0.54	0.62	0.69	0.78	0.85	0.92	0.53	0.61	0.68	0.77	0.84	0.91	0.51	0.59	0.66	0.74	0.81	0.88
AA/AN/AAC/ANC/AFA	1	0.86	1.00	1.11	1.24	1.36	1.47	0.85	0.98	1.10	1.23	1.34	1.45	0.82	0.95	1.06	1.19	1.30	1.41
AA/AN/AAC/ANC/AFA	1-1/2	1.23	1.42	1.59	1.78	1.95	2.11	1.22	1.40	1.57	1.76	1.92	2.08	1.18	1.36	1.52	1.70	1.86	2.01
AA/AN/AAC/ANC/AFA	2-1/4	1.82	2.10	2.35	2.62	2.87	3.10	1.79	2.07	2.31	2.59	2.83	3.06	1.74	2.01	2.24	2.51	2.75	2.97
AA/AN/AAC/ANC/AFA	3-1/4	2.55	2.94	3.29	3.68	4.03	4.35	2.51	2.90	3.25	3.63	3.98	4.29	2.44	2.82	3.15	3.52	3.86	4.16
AA/AN/AAC/ANC/AFA	4	3.12	3.61	4.03	4.51	4.94	5.34	3.08	3.56	3.98	4.45	4.87	5.26	2.99	3.45	3.86	4.31	4.73	5.10
AA/AN/AAC/ANC/AFA	4-3/4	3.71	4.28	4.79	5.35	5.86	6.33	3.66	4.22	4.72	5.28	5.78	6.25	3.55	4.10	4.58	5.12	5.61	6.06
AA/AN/AAC/ANC/AFA	6-1/2	5.07	5.86	6.55	7.32	8.02	8.66	5.00	5.78	6.46	7.22	7.91	8.54	4.85	5.60	6.26	7.00	7.67	8.28

VALVE TYPE	NOMINAL RATING	EVAPORATOR TEMPERATURE																	
		0°F						-20°F						-40°F					
		PRESSURE DROP ACROSS VALVE (PSI)						PRESSURE DROP ACROSS VALVE (PSI)						PRESSURE DROP ACROSS VALVE (PSI)					
		60	80	100	125	150	175	80	100	125	150	175	200	80	100	125	150	175	200
AA/AN/AFA	1/4	0.15	0.17	0.19	0.22	0.24	0.26	0.12	0.13	0.14	0.16	0.17	0.18	0.07	0.08	0.09	0.10	0.11	0.12
AA/AN/AAC/ANC	1/2	0.26	0.30	0.34	0.38	0.41	0.45	0.20	0.23	0.25	0.28	0.30	0.32	0.13	0.14	0.16	0.18	0.19	0.20
AA/AN/AAC/ANC/AFA	3/4	0.46	0.53	0.59	0.66	0.72	0.78	0.35	0.40	0.44	0.48	0.52	0.56	0.23	0.25	0.28	0.31	0.33	0.36
AA/AN/AAC/ANC/AFA	1	0.74	0.85	0.95	1.06	1.16	1.26	0.57	0.63	0.71	0.78	0.84	0.90	0.36	0.40	0.45	0.49	0.53	0.57
AA/AN/AAC/ANC/AFA	1-1/2	1.05	1.21	1.36	1.52	1.66	1.80	0.81	0.91	1.01	1.11	1.20	1.28	0.52	0.58	0.65	0.71	0.76	0.82
AA/AN/AAC/ANC/AFA	2-1/4	1.55	1.79	2.00	2.24	2.45	2.65	1.20	1.34	1.49	1.64	1.77	1.89	0.76	0.85	0.95	1.04	1.12	1.20
AA/AN/AAC/ANC/AFA	3-1/4	2.17	2.51	2.81	3.14	3.44	3.71	1.68	1.88	2.10	2.30	2.48	2.65	1.07	1.19	1.33	1.46	1.58	1.69
AA/AN/AAC/ANC/AFA	4	2.66	3.08	3.44	3.84	4.21	4.55	2.06	2.30	2.57	2.81	3.04	3.25	1.31	1.46	1.63	1.79	1.93	2.07
AA/AN/AAC/ANC/AFA	4-3/4	3.16	3.65	4.08	4.56	5.00	5.40	2.44	2.73	3.05	3.34	3.61	3.86	1.55	1.74	1.94	2.13	2.30	2.45
AA/AN/AAC/ANC/AFA	6-1/2	4.32	4.99	5.58	6.24	6.84	7.38	3.34	3.73	4.17	4.57	4.94	5.28	2.12	2.37	2.65	2.91	3.14	3.36

REFRIGERANT LIQUID TEMPERATURE VALVE CAPACITY MULTIPLIER CORRECTION FACTORS

	REFRIGERANT LIQUID TEMPERATURE °F														
	0	10	20	30	40	50	60	70	80	90	100	110	120	130	140
R-12	1.60	1.54	1.48	1.42	1.36	1.30	1.24	1.18	1.12	1.06	1.00	0.94	0.88	0.82	0.75
R-134a	1.70	1.63	1.56	1.49	1.42	1.36	1.29	1.21	1.14	1.07	1.00	0.93	0.85	0.78	0.71
R-22	1.56	1.51	1.45	1.40	1.34	1.29	1.23	1.17	1.12	1.06	1.00	0.94	0.88	0.82	0.76
R-404A/R-507	2.00	1.90	1.80	1.70	1.60	1.50	1.40	1.30	1.20	1.10	1.00	0.90	0.80	0.70	0.50
R-450A/R-513A	1.73	1.65	1.58	1.51	1.44	1.36	1.29	1.22	1.15	1.07	1.00	0.93	0.85	0.78	0.70
R-448A/R-449A	1.71	1.64	1.57	1.50	1.43	1.36	1.29	1.22	1.15	1.07	1.00	0.92	0.85	0.77	0.69

These factors include corrections for liquid refrigerant density and net refrigerating effect and are based on an average evaporator temperature of 0°F. However, they may be used for any evaporator temperature from -40°F to +40°F since the variation in the actual factors across this range is insignificant.

R-410A CONVENTIONAL PORTED VALVES (TONS) A SERIES | AFA SERIES

VALVE TYPE	NOMINAL RATING	EVAPORATOR TEMPERATURE																	
		50°F						40°F						20°F					
		PRESSURE DROP ACROSS VALVE (PSI)						PRESSURE DROP ACROSS VALVE (PSI)						PRESSURE DROP ACROSS VALVE (PSI)					
		110	140	160	210	245	285	110	140	160	210	245	285	110	140	160	210	245	285
AA/AN/AAC/ANC/AFA	1/4	0.34	0.38	0.41	0.47	0.51	0.55	0.34	0.38	0.41	0.47	0.51	0.55	0.33	0.37	0.40	0.46	0.49	0.53
AA/AN/AAC/ANC/AFA	1/2	0.60	0.68	0.72	0.83	0.90	0.97	0.59	0.67	0.71	0.82	0.88	0.95	0.58	0.65	0.70	0.80	0.87	0.93
AA/AN/AAC/ANC/AFA	1	0.96	1.08	1.16	1.33	1.43	1.55	0.95	1.07	1.15	1.31	1.42	1.53	0.93	1.05	1.12	1.28	1.39	1.50
AA/AN/AAC/ANC/AFA	1-1/2	1.38	1.56	1.66	1.91	2.06	2.22	1.36	1.53	1.64	1.88	2.03	2.19	1.33	1.50	1.60	1.84	1.98	2.14
AA/AN/AAC/ANC/AFA	2	2.03	2.29	2.45	2.80	3.03	3.27	2.01	2.27	2.42	2.78	3.00	3.24	1.96	2.21	2.36	2.71	2.93	3.15
AA/AN/AAC/ANC/AFA	3	2.85	3.22	3.44	3.94	4.25	4.59	2.82	3.18	3.40	3.90	4.21	4.54	2.74	3.09	3.30	3.79	4.09	4.41
AA/AN/AAC/ANC/AFA	4	3.49	3.94	4.21	4.82	5.21	5.62	3.45	3.89	4.16	4.77	5.15	5.55	3.36	3.79	4.05	4.64	5.01	5.41
AA/AN/AAC/ANC/AFA	5	4.14	4.67	4.99	5.72	6.18	6.66	4.10	4.63	4.94	5.66	6.12	6.60	3.99	4.50	4.81	5.51	5.95	6.42

Standard capacity is rated at 100°F liquid inlet and 40°F evaporator temperature; with 100 psi pressure drop across the TXV per ARI 750-2001.

VALVE TYPE	NOMINAL RATING	EVAPORATOR TEMPERATURE																	
		0°F						-20°F						-40°F					
		PRESSURE DROP ACROSS VALVE (PSI)						PRESSURE DROP ACROSS VALVE (PSI)						PRESSURE DROP ACROSS VALVE (PSI)					
		140	160	210	245	285	330	140	160	210	245	285	330	140	160	210	245	285	330
AA/AN/AAC/ANC/AFA	1/4	0.34	0.36	0.42	0.45	0.49	0.52	0.24	0.26	0.29	0.32	0.34	0.37	0.16	0.17	0.20	0.21	0.23	0.25
AA/AN/AAC/ANC/AFA	1/2	0.60	0.64	0.73	0.79	0.86	0.92	0.41	0.44	0.50	0.54	0.58	0.63	0.27	0.29	0.33	0.36	0.39	0.41
AA/AN/AAC/ANC/AFA	1	0.95	1.02	1.16	1.26	1.36	1.46	0.66	0.71	0.81	0.87	0.94	1.01	0.44	0.47	0.54	0.58	0.63	0.68
AA/AN/AAC/ANC/AFA	1-1/2	1.36	1.45	1.67	1.80	1.94	2.09	0.95	1.02	1.16	1.26	1.36	1.46	0.63	0.67	0.77	0.83	0.90	0.97
AA/AN/AAC/ANC/AFA	2	2.01	2.15	2.46	2.66	2.87	3.09	1.40	1.50	1.71	1.85	2.00	2.15	0.93	0.99	1.14	1.23	1.33	1.43
AA/AN/AAC/ANC/AFA	3	2.82	3.01	3.45	3.73	4.02	4.33	1.96	2.10	2.40	2.59	2.80	3.01	1.30	1.39	1.59	1.72	1.85	2.00
AA/AN/AAC/ANC/AFA	4	3.46	3.70	4.24	4.58	4.94	5.31	2.40	2.57	2.94	3.17	3.42	3.68	1.60	1.71	1.96	2.12	2.28	2.46
AA/AN/AAC/ANC/AFA	5	4.10	4.38	5.02	5.42	5.85	6.29	2.85	3.05	3.49	3.77	4.07	4.38	1.89	2.02	2.31	2.50	2.70	2.90

REFRIGERANT LIQUID TEMPERATURE VALVE CAPACITY MULTIPLIER CORRECTION FACTORS

	REFRIGERANT LIQUID TEMPERATURE °F															
	0	10	20	30	40	50	60	70	80	90	100	110	120	130	140	
R-12	1.60	1.54	1.48	1.42	1.36	1.30	1.24	1.18	1.12	1.06	1.00	0.94	0.88	0.82	0.75	
R-134a	1.70	1.63	1.56	1.49	1.42	1.36	1.29	1.21	1.14	1.07	1.00	0.93	0.85	0.78	0.71	
R-22	1.56	1.51	1.45	1.40	1.34	1.29	1.23	1.17	1.12	1.06	1.00	0.94	0.88	0.82	0.76	
R-404A/R-507	2.00	1.90	1.80	1.70	1.60	1.50	1.40	1.30	1.20	1.10	1.00	0.90	0.80	0.70	0.50	
R-450A/R-513A	1.73	1.65	1.58	1.51	1.44	1.36	1.29	1.22	1.15	1.07	1.00	0.93	0.85	0.78	0.70	
R-448A/R-449A	1.71	1.64	1.57	1.50	1.43	1.36	1.29	1.22	1.15	1.07	1.00	0.92	0.85	0.77	0.69	

These factors include corrections for liquid refrigerant density and net refrigerating effect and are based on an average evaporator temperature of 0°F. However, they may be used for any evaporator temperature from -40°F to +40°F since the variation in the actual factors across this range is insignificant.

R-448A | R-449A CONVENTIONAL PORTED VALVES (TONS) A SERIES | AFA SERIES

VALVE TYPE	NOMINAL RATING	EVAPORATOR TEMPERATURE																	
		50°F						40°F						20°F					
		PRESSURE DROP ACROSS VALVE (PSI)						PRESSURE DROP ACROSS VALVE (PSI)						PRESSURE DROP ACROSS VALVE (PSI)					
		60	80	100	125	150	175	60	80	100	125	150	175	60	80	100	125	150	175
AA/AN/AAC/ANC/AFA	1/5	0.15	0.18	0.20	0.22	0.24	0.26	0.15	0.17	0.19	0.22	0.24	0.26	0.15	0.17	0.19	0.21	0.23	0.25
AA/AN/AAC/ANC/AFA	1/4	0.27	0.31	0.34	0.38	0.42	0.45	0.26	0.30	0.34	0.38	0.41	0.45	0.26	0.30	0.33	0.37	0.40	0.44
AA/AN/AAC/ANC/AFA	1/2	0.47	0.54	0.60	0.67	0.74	0.80	0.46	0.53	0.60	0.67	0.73	0.79	0.45	0.52	0.58	0.65	0.71	0.77
AA/AN/AAC/ANC/AFA	1	0.75	0.86	0.96	1.08	1.18	1.28	0.74	0.85	0.95	1.07	1.17	1.26	0.72	0.83	0.93	1.04	1.14	1.23
AA/AN/AAC/ANC/AFA	1-1/2	1.07	1.23	1.38	1.54	1.69	1.82	1.06	1.22	1.36	1.53	1.67	1.81	1.03	1.19	1.33	1.49	1.63	1.76
AA/AN/AAC/ANC/AFA	2	1.57	1.82	2.03	2.27	2.49	2.69	1.56	1.80	2.01	2.25	2.46	2.66	1.52	1.76	1.96	2.20	2.40	2.60
AA/AN/AAC/ANC/AFA	2-3/4	2.21	2.55	2.85	3.19	3.49	3.77	2.19	2.52	2.82	3.16	3.46	3.73	2.13	2.46	2.75	3.08	3.37	3.64
AA/AN/AAC/ANC/AFA	3-1/2	2.71	3.13	3.49	3.91	4.28	4.62	2.68	3.09	3.46	3.87	4.24	4.57	2.61	3.02	3.38	3.77	4.13	4.47
AA/AN/AAC/ANC/AFA	4	3.21	3.71	4.15	4.64	5.08	5.49	3.18	3.67	4.10	4.59	5.03	5.43	3.10	3.58	4.01	4.48	4.91	5.30
AA/AN/AAC/ANC/AFA	5-1/2	4.39	5.07	5.67	6.34	6.95	7.50	4.35	5.02	5.61	6.28	6.87	7.43	4.24	4.90	5.48	6.13	6.71	7.25

NOTE: Standard capacity is rated at 100°F liquid inlet and 40°F evaporator temperature; with 100 psi pressure drop across the TXV.

VALVE TYPE	NOMINAL RATING	EVAPORATOR TEMPERATURE																	
		0°F						-20°F						-40°F					
		PRESSURE DROP ACROSS VALVE (PSI)						PRESSURE DROP ACROSS VALVE (PSI)						PRESSURE DROP ACROSS VALVE (PSI)					
		60	80	100	125	150	175	80	100	125	150	175	200	80	100	125	150	175	200
AA/AN/AAC/ANC/AFA	1/5	0.14	0.17	0.19	0.21	0.23	0.24	0.13	0.15	0.16	0.18	0.19	0.21	0.09	0.10	0.11	0.12	0.13	0.14
AA/AN/AAC/ANC/AFA	1/4	0.25	0.29	0.32	0.36	0.39	0.43	0.23	0.25	0.28	0.31	0.34	0.36	0.15	0.17	0.19	0.21	0.23	0.24
AA/AN/AAC/ANC/AFA	1/2	0.44	0.51	0.57	0.63	0.69	0.75	0.40	0.45	0.50	0.55	0.59	0.63	0.27	0.30	0.34	0.37	0.40	0.43
AA/AN/AAC/ANC/AFA	1	0.70	0.81	0.91	1.01	1.11	1.20	0.64	0.72	0.80	0.88	0.95	1.01	0.43	0.48	0.54	0.59	0.64	0.68
AA/AN/AAC/ANC/AFA	1-1/2	1.00	1.16	1.30	1.45	1.59	1.71	0.92	1.02	1.15	1.26	1.36	1.45	0.62	0.69	0.77	0.85	0.92	0.98
AA/AN/AAC/ANC/AFA	2	1.48	1.71	1.91	2.14	2.34	2.53	1.35	1.51	1.69	1.85	2.00	2.14	0.91	1.02	1.14	1.25	1.35	1.44
AA/AN/AAC/ANC/AFA	2-3/4	2.08	2.40	2.68	3.00	3.28	3.54	1.90	2.12	2.37	2.60	2.80	3.00	1.28	1.43	1.60	1.75	1.89	2.02
AA/AN/AAC/ANC/AFA	3-1/2	2.54	2.94	3.28	3.67	4.02	4.34	2.32	2.60	2.90	3.18	3.44	3.67	1.57	1.75	1.96	2.15	2.32	2.48
AA/AN/AAC/ANC/AFA	4	3.02	3.49	3.90	4.36	4.77	5.16	2.76	3.08	3.45	3.77	4.08	4.36	1.86	2.08	2.33	2.55	2.75	2.94
AA/AN/AAC/ANC/AFA	5-1/2	4.13	4.77	5.33	5.96	6.53	7.05	3.77	4.21	4.71	5.16	5.58	5.96	2.55	2.85	3.18	3.49	3.76	4.02

REFRIGERANT LIQUID TEMPERATURE VALVE CAPACITY MULTIPLIER CORRECTION FACTORS

	REFRIGERANT LIQUID TEMPERATURE °F														
	0	10	20	30	40	50	60	70	80	90	100	110	120	130	140
R-12	1.60	1.54	1.48	1.42	1.36	1.30	1.24	1.18	1.12	1.06	1.00	0.94	0.88	0.82	0.75
R-134a	1.70	1.63	1.56	1.49	1.42	1.36	1.29	1.21	1.14	1.07	1.00	0.93	0.85	0.78	0.71
R-22	1.56	1.51	1.45	1.40	1.34	1.29	1.23	1.17	1.12	1.06	1.00	0.94	0.88	0.82	0.76
R-404A/R-507	2.00	1.90	1.80	1.70	1.60	1.50	1.40	1.30	1.20	1.10	1.00	0.90	0.80	0.70	0.50
R-450A/R-513A	1.73	1.65	1.58	1.51	1.44	1.36	1.29	1.22	1.15	1.07	1.00	0.93	0.85	0.78	0.70
R-448A/R-449A	1.71	1.64	1.57	1.50	1.43	1.36	1.29	1.22	1.15	1.07	1.00	0.92	0.85	0.77	0.69

These factors include corrections for liquid refrigerant density and net refrigerating effect and are based on an average evaporator temperature of 0°F. However, they may be used for any evaporator temperature from -40°F to +40°F since the variation in the actual factors across this range is insignificant.

R-450A / R-513A CONVENTIONAL PORTED VALVES (TONS) A SERIES / AFA SERIES

VALVE TYPE	NOMINAL RATING	EVAPORATOR TEMPERATURE																	
		50°F						40°F						20°F					
		PRESSURE DROP ACROSS VALVE (PSI)						PRESSURE DROP ACROSS VALVE (PSI)						PRESSURE DROP ACROSS VALVE (PSI)					
60	80	100	125	150	175	60	80	100	125	150	175	60	80	100	125	150	175		
AA/AN/AAC/ANC/AFA	1/8	0.11	0.13	0.15	0.16	0.18	0.19	0.11	0.13	0.14	0.16	0.17	0.19	0.10	0.12	0.13	0.15	0.16	0.18
AA/AN/AAC/ANC/AFA	1/5	0.19	0.22	0.25	0.28	0.30	0.33	0.19	0.22	0.24	0.27	0.30	0.32	0.18	0.21	0.23	0.26	0.28	0.31
AA/AN/AAC/ANC/AFA	1/4	0.35	0.40	0.45	0.50	0.55	0.59	0.34	0.39	0.44	0.49	0.53	0.58	0.32	0.37	0.41	0.46	0.51	0.55
AA/AN/AAC/ANC/AFA	1/2	0.55	0.63	0.70	0.79	0.86	0.93	0.53	0.62	0.69	0.77	0.84	0.91	0.51	0.58	0.65	0.73	0.80	0.86
AA/AN/AAC/ANC/AFA	3/4	0.79	0.91	1.02	1.14	1.24	1.34	0.77	0.89	0.99	1.11	1.21	1.31	0.73	0.84	0.94	1.05	1.15	1.25
AA/AN/AAC/ANC/AFA	1	1.16	1.33	1.49	1.67	1.83	1.97	1.13	1.30	1.46	1.63	1.78	1.93	1.07	1.24	1.38	1.55	1.70	1.83
AA/AN/AAC/ANC/AFA	1-1/2	1.62	1.87	2.09	2.34	2.56	2.77	1.58	1.83	2.04	2.29	2.50	2.70	1.50	1.74	1.94	2.17	2.38	2.57
AA/AN/AAC/ANC/AFA	2	1.98	2.29	2.56	2.86	3.14	3.39	1.94	2.24	2.50	2.79	3.06	3.31	1.84	2.12	2.37	2.65	2.91	3.14
AA/AN/AAC/ANC/AFA	2-1/2	2.36	2.73	3.05	3.41	3.73	4.03	2.30	2.66	2.97	3.33	3.64	3.94	2.19	2.53	2.83	3.16	3.46	3.74
AA/AN/AAC/ANC/AFA	3	3.23	3.73	4.17	4.66	5.10	5.51	3.15	3.64	4.07	4.55	4.98	5.38	2.99	3.46	3.86	4.32	4.73	5.11

Standard Capacity is rated at 100°F liquid inlet and 40°F evaporator temperature; with 60 psi pressure drop across the TXV.

VALVE TYPE	NOMINAL RATING	EVAPORATOR TEMPERATURE																	
		0°F						-20°F						-40°F					
		PRESSURE DROP ACROSS VALVE (PSI)						PRESSURE DROP ACROSS VALVE (PSI)						PRESSURE DROP ACROSS VALVE (PSI)					
60	80	100	125	150	175	80	100	125	150	175	200	80	100	125	150	175	200		
AA/AN/AAC/ANC/AFA	1/8	0.08	0.09	0.10	0.11	0.12	0.13	0.06	0.06	0.07	0.08	0.08	0.09	0.03	0.04	0.04	0.04	0.05	0.05
AA/AN/AAC/ANC/AFA	1/5	0.13	0.15	0.17	0.19	0.21	0.22	0.10	0.11	0.12	0.13	0.15	0.16	0.06	0.06	0.07	0.08	0.08	0.09
AA/AN/AAC/ANC/AFA	1/4	0.23	0.27	0.30	0.34	0.37	0.40	0.18	0.20	0.22	0.24	0.26	0.28	0.10	0.11	0.13	0.14	0.15	0.16
AA/AN/AAC/ANC/AFA	1/2	0.37	0.42	0.47	0.53	0.58	0.63	0.28	0.31	0.35	0.38	0.41	0.44	0.16	0.18	0.20	0.22	0.24	0.25
AA/AN/AAC/ANC/AFA	3/4	0.53	0.61	0.68	0.76	0.84	0.90	0.40	0.45	0.50	0.55	0.59	0.63	0.23	0.26	0.29	0.31	0.34	0.36
AA/AN/AAC/ANC/AFA	1	0.78	0.90	1.00	1.12	1.23	1.33	0.59	0.66	0.74	0.81	0.87	0.93	0.34	0.38	0.42	0.46	0.50	0.53
AA/AN/AAC/ANC/AFA	1-1/2	1.09	1.26	1.41	1.58	1.73	1.86	0.83	0.93	1.03	1.13	1.22	1.31	0.47	0.53	0.59	0.65	0.70	0.75
AA/AN/AAC/ANC/AFA	2	1.33	1.54	1.72	1.93	2.11	2.28	1.01	1.13	1.26	1.39	1.50	1.60	0.58	0.65	0.72	0.79	0.85	0.91
AA/AN/AAC/ANC/AFA	2-1/2	1.59	1.83	2.05	2.29	2.51	2.71	1.20	1.35	1.51	1.65	1.78	1.90	0.69	0.77	0.86	0.94	1.02	1.09
AA/AN/AAC/ANC/AFA	3	2.17	2.51	2.80	3.14	3.44	3.71	1.65	1.84	2.06	2.25	2.44	2.60	0.94	1.05	1.17	1.29	1.39	1.49

REFRIGERANT LIQUID TEMPERATURE VALVE CAPACITY MULTIPLIER CORRECTION FACTORS

	REFRIGERANT LIQUID TEMPERATURE °F															
	0	10	20	30	40	50	60	70	80	90	100	110	120	130	140	
R-12	1.60	1.54	1.48	1.42	1.36	1.30	1.24	1.18	1.12	1.06	1.00	0.94	0.88	0.82	0.75	
R-134a	1.70	1.63	1.56	1.49	1.42	1.36	1.29	1.21	1.14	1.07	1.00	0.93	0.85	0.78	0.71	
R-22	1.56	1.51	1.45	1.40	1.34	1.29	1.23	1.17	1.12	1.06	1.00	0.94	0.88	0.82	0.76	
R-404A/R-507	2.00	1.90	1.80	1.70	1.60	1.50	1.40	1.30	1.20	1.10	1.00	0.90	0.80	0.70	0.50	
R-450A/R-513A	1.73	1.65	1.58	1.51	1.44	1.36	1.29	1.22	1.15	1.07	1.00	0.93	0.85	0.78	0.70	
R-448A/R-449A	1.71	1.64	1.57	1.50	1.43	1.36	1.29	1.22	1.15	1.07	1.00	0.92	0.85	0.77	0.69	

These factors include corrections for liquid refrigerant density and net refrigerating effect and are based on an average evaporator temperature of 0°F. However, they may be used for any evaporator temperature from -40°F to +40°F since the variation in the actual factors across this range is insignificant.

R-452A CONVENTIONAL PORTED VALVES (TONS) - A SERIES

VALVE TYPE	NOMINAL RATING	EVAPORATOR TEMPERATURE																	
		50°F						40°F						20°F					
		PRESSURE DROP ACROSS VALVE (PSI)						PRESSURE DROP ACROSS VALVE (PSI)						PRESSURE DROP ACROSS VALVE (PSI)					
		60	80	100	125	150	175	60	80	100	125	150	175	60	80	100	125	150	175
AA/AN/AAC/ANC/AFA	1/5	0.11	0.13	0.15	0.16	0.18	0.19	0.11	0.13	0.14	0.16	0.18	0.19	0.11	0.12	0.14	0.15	0.17	0.18
AA/AN/AAC/ANC/AFA	1/4	0.20	0.23	0.26	0.29	0.31	0.34	0.19	0.22	0.25	0.28	0.31	0.33	0.18	0.21	0.24	0.26	0.29	0.31
AA/AN/AAC/ANC/AFA	1/2	0.35	0.40	0.45	0.50	0.55	0.59	0.34	0.39	0.44	0.49	0.54	0.58	0.32	0.37	0.42	0.46	0.51	0.55
AA/AN/AAC/ANC/AFA	1	0.56	0.64	0.72	0.80	0.88	0.95	0.54	0.63	0.70	0.79	0.86	0.93	0.52	0.60	0.67	0.74	0.82	0.88
AA/AN/AAC/ANC/AFA	1-1/2	0.80	0.92	1.03	1.15	1.26	1.36	0.78	0.90	1.00	1.12	1.23	1.33	0.74	0.85	0.95	1.07	1.17	1.26
AA/AN/AAC/ANC/AFA	2	1.17	1.36	1.52	1.70	1.86	2.01	1.15	1.32	1.48	1.66	1.81	1.96	1.09	1.26	1.40	1.57	1.72	1.86
AA/AN/AAC/ANC/AFA	2-3/4	1.65	1.90	2.13	2.38	2.61	2.81	1.61	1.86	2.08	2.32	2.54	2.75	1.53	1.76	1.97	2.20	2.41	2.61
AA/AN/AAC/ANC/AFA	3-1/2	2.02	2.33	2.61	2.91	3.19	3.45	1.97	2.28	2.55	2.85	3.12	3.37	1.87	2.16	2.41	2.70	2.96	3.19
AA/AN/AAC/ANC/AFA	4	2.40	2.77	3.09	3.46	3.79	4.09	2.34	2.70	3.02	3.38	3.70	4.00	2.22	2.56	2.86	3.20	3.51	3.79
AA/AN/AAC/ANC/AFA	5-1/2	3.28	3.78	4.23	4.73	5.18	5.60	3.20	3.70	4.13	4.62	5.06	5.47	3.03	3.50	3.92	4.38	4.80	5.18

Standard capacity is rated at 100F liquid inlet and 40F evaporator temperature; with 100 psi pressure drop across the TXV.

VALVE TYPE	NOMINAL RATING	EVAPORATOR TEMPERATURE																	
		0°F						-20°F						-40°F					
		PRESSURE DROP ACROSS VALVE (PSI)						PRESSURE DROP ACROSS VALVE (PSI)						PRESSURE DROP ACROSS VALVE (PSI)					
		60	80	100	125	150	175	80	100	125	150	175	200	80	100	125	150	175	200
AA/AN/AAC/ANC/AFA	1/5	0.10	0.11	0.13	0.14	0.16	0.17	0.08	0.09	0.10	0.11	0.12	0.13	0.05	0.06	0.06	0.07	0.08	0.08
AA/AN/AAC/ANC/AFA	1/4	0.17	0.20	0.22	0.25	0.27	0.29	0.14	0.16	0.17	0.19	0.21	0.22	0.09	0.10	0.11	0.12	0.13	0.14
AA/AN/AAC/ANC/AFA	1/2	0.30	0.35	0.39	0.44	0.48	0.52	0.25	0.27	0.31	0.34	0.36	0.39	0.16	0.17	0.20	0.21	0.23	0.25
AA/AN/AAC/ANC/AFA	1	0.49	0.56	0.63	0.70	0.77	0.83	0.39	0.44	0.49	0.54	0.58	0.62	0.25	0.28	0.31	0.34	0.37	0.40
AA/AN/AAC/ANC/AFA	1-1/2	0.69	0.80	0.90	1.00	1.10	1.19	0.56	0.63	0.70	0.77	0.83	0.89	0.36	0.40	0.45	0.49	0.53	0.57
AA/AN/AAC/ANC/AFA	2	1.02	1.18	1.32	1.48	1.62	1.75	0.83	0.93	1.04	1.13	1.23	1.31	0.53	0.59	0.66	0.72	0.78	0.83
AA/AN/AAC/ANC/AFA	2-3/4	1.44	1.66	1.86	2.07	2.27	2.45	1.16	1.30	1.45	1.59	1.72	1.84	0.74	0.83	0.93	1.01	1.10	1.17
AA/AN/AAC/ANC/AFA	3-1/2	1.76	2.03	2.27	2.54	2.78	3.01	1.42	1.59	1.78	1.95	2.11	2.25	0.91	1.01	1.13	1.24	1.34	1.43
AA/AN/AAC/ANC/AFA	4	2.09	2.41	2.70	3.02	3.30	3.57	1.69	1.89	2.11	2.32	2.50	2.67	1.08	1.20	1.35	1.47	1.59	1.70
AA/AN/AAC/ANC/AFA	5-1/2	2.86	3.30	3.69	4.13	4.52	4.88	2.31	2.59	2.89	3.17	3.42	3.66	1.47	1.65	1.84	2.02	2.18	2.33

REFRIGERANT LIQUID TEMPERATURE VALVE CAPACITY MULTIPLIER CORRECTION FACTORS

	REFRIGERANT LIQUID TEMPERATURE °F														
	0	10	20	30	40	50	60	70	80	90	100	110	120	130	140
R-12	1.60	1.54	1.48	1.42	1.36	1.30	1.24	1.18	1.12	1.06	1.00	0.94	0.88	0.82	0.75
R-134a	1.70	1.63	1.56	1.49	1.42	1.36	1.29	1.21	1.14	1.07	1.00	0.93	0.85	0.78	0.71
R-22	1.56	1.51	1.45	1.40	1.34	1.29	1.23	1.17	1.12	1.06	1.00	0.94	0.88	0.82	0.76
R-404A/R-507	2.00	1.90	1.80	1.70	1.60	1.50	1.40	1.30	1.20	1.10	1.00	0.90	0.80	0.70	0.50
R-450A/R-513A	1.73	1.65	1.58	1.51	1.44	1.36	1.29	1.22	1.15	1.07	1.00	0.93	0.85	0.78	0.70
R-448A/R-449A	1.71	1.64	1.57	1.50	1.43	1.36	1.29	1.22	1.15	1.07	1.00	0.92	0.85	0.77	0.69

These factors include corrections for liquid refrigerant density and net refrigerating effect and are based on an average evaporator temperature of 0°F. However, they may be used for any evaporator temperature from -40°F to +40°F since the variation in the actual factors across this range is insignificant.

R-502 CONVENTIONAL PORTED VALVES (TONS) A SERIES | AFA SERIES | T SERIES

VALVE TYPE	NOMINAL RATING	EVAPORATOR TEMPERATURE																	
		50°F						40°F						20°F					
		PRESSURE DROP ACROSS VALVE (PSI)						PRESSURE DROP ACROSS VALVE (PSI)						PRESSURE DROP ACROSS VALVE (PSI)					
	60	80	100	125	150	175	60	80	100	125	150	175	60	80	100	125	150	175	
AA/ANI/AAC/ANC/AFA	1/8	0.17	0.20	0.22	0.25	0.27	0.29	0.17	0.20	0.22	0.25	0.27	0.29	0.16	0.18	0.21	0.23	0.25	0.27
AA/ANI/AAC/ANC/AFA	1/4	0.30	0.35	0.39	0.43	0.47	0.51	0.29	0.33	0.37	0.42	0.46	0.50	0.28	0.32	0.36	0.40	0.44	0.48
AA/ANI/AAC/ANC/AFA	1/2	0.48	0.55	0.62	0.69	0.76	0.82	0.47	0.54	0.61	0.68	0.74	0.80	0.45	0.52	0.58	0.65	0.71	0.77
AA/ANI/AAC/ANC/AFA	1	0.68	0.79	0.88	0.98	1.08	1.16	0.67	0.77	0.86	0.97	1.06	1.14	0.64	0.74	0.83	0.92	1.01	1.09
AA/ANI/AAC/ANC/AFA	1-1/2	1.41	1.63	1.82	2.04	2.23	2.41	1.38	1.59	1.78	1.99	2.18	2.36	1.32	1.52	1.70	1.91	2.09	2.25
AA/ANI/AAC/ANC/AFA	2	1.73	2.00	2.23	2.50	2.74	2.95	1.69	1.95	2.18	2.44	2.67	2.89	1.62	1.87	2.09	2.34	2.56	2.77
AA/ANI/AAC/ANC/AFA	2-1/2	2.05	2.37	2.65	2.96	3.24	3.50	2.01	2.32	2.59	2.90	3.18	3.43	1.92	2.22	2.48	2.77	3.04	3.28
AA/ANI/AAC/ANC/AFA	3	2.81	3.24	3.63	4.06	4.44	4.80	2.75	3.18	3.55	3.97	4.35	4.70	2.62	3.03	3.38	3.78	4.14	4.47
TCLE	1/4	0.26	0.30	0.34	0.38	0.41	0.44	0.25	0.29	0.32	0.36	0.40	0.43	0.24	0.28	0.31	0.35	0.38	0.41
TCLE	1/2	0.48	0.55	0.62	0.69	0.76	0.82	0.47	0.54	0.61	0.68	0.74	0.80	0.45	0.52	0.58	0.65	0.71	0.77
TCLE	1	0.97	1.12	1.25	1.40	1.53	1.66	0.95	1.10	1.23	1.37	1.50	1.62	0.91	1.05	1.17	1.31	1.44	1.55
TCLE	2	1.80	2.08	2.32	2.60	2.85	3.07	1.76	2.03	2.27	2.54	2.78	3.01	1.68	1.94	2.17	2.42	2.66	2.87
TCLE	3	2.62	3.03	3.38	3.78	4.14	4.47	2.56	2.96	3.30	3.70	4.05	4.37	2.44	2.82	3.15	3.52	3.86	4.17
TCLE	4-1/2	3.80	4.39	4.91	5.48	6.01	6.49	3.72	4.30	4.80	5.37	5.88	6.35	3.55	4.10	4.58	5.12	5.61	6.06
TCLE	7	5.23	6.04	6.75	7.55	8.27	8.93	5.12	5.91	6.61	7.39	8.10	8.74	4.89	5.65	6.31	7.06	7.73	8.35
TCLE	8	6.31	7.29	8.15	9.11	9.98	10.78	6.18	7.14	7.98	8.92	9.77	10.55	5.90	6.81	7.62	8.52	9.33	10.08
TJL	7	5.59	6.45	7.22	8.07	8.84	9.55	5.47	6.32	7.06	7.90	8.65	9.34	5.22	6.03	6.74	7.53	8.25	8.91
TJL	9	7.13	8.23	9.20	10.29	11.27	12.18	6.98	8.06	9.01	10.07	11.04	11.92	6.66	7.69	8.60	9.61	10.53	11.37

Standard capacity is rated at 100°F liquid inlet and 40°F evaporator temperature; with 100 psi pressure drop across the TXV per ARI 750-2001.

VALVE TYPE	NOMINAL RATING	EVAPORATOR TEMPERATURE																	
		0°F						-20°F						-40°F					
		PRESSURE DROP ACROSS VALVE (PSI)						PRESSURE DROP ACROSS VALVE (PSI)						PRESSURE DROP ACROSS VALVE (PSI)					
	60	80	100	125	150	175	80	100	125	150	175	200	80	100	125	150	175	200	
AA/ANI/AAC/ANC/AFA	1/8	0.15	0.17	0.19	0.22	0.24	0.26	0.11	0.12	0.14	0.15	0.16	0.17	0.07	0.08	0.09	0.10	0.10	0.11
AA/ANI/AAC/ANC/AFA	1/4	0.26	0.30	0.34	0.38	0.41	0.44	0.20	0.22	0.25	0.27	0.30	0.32	0.13	0.15	0.16	0.18	0.19	0.21
AA/ANI/AAC/ANC/AFA	1/2	0.41	0.47	0.53	0.59	0.65	0.70	0.32	0.36	0.40	0.44	0.47	0.51	0.21	0.23	0.26	0.29	0.31	0.33
AA/ANI/AAC/ANC/AFA	1	0.59	0.68	0.76	0.85	0.93	1.01	0.46	0.51	0.58	0.63	0.68	0.73	0.29	0.32	0.36	0.40	0.43	0.46
AA/ANI/AAC/ANC/AFA	1-1/2	1.21	1.40	1.56	1.75	1.91	2.07	0.96	1.07	1.20	1.31	1.42	1.52	0.61	0.68	0.76	0.84	0.90	0.96
AA/ANI/AAC/ANC/AFA	2	1.49	1.72	1.92	2.15	2.36	2.54	1.17	1.31	1.46	1.60	1.73	1.85	0.75	0.84	0.94	1.03	1.11	1.19
AA/ANI/AAC/ANC/AFA	2-1/2	1.76	2.03	2.27	2.54	2.78	3.01	1.39	1.55	1.74	1.90	2.06	2.20	0.89	1.00	1.11	1.22	1.32	1.41
AA/ANI/AAC/ANC/AFA	3	2.41	2.78	3.11	3.48	3.81	4.12	1.90	2.12	2.38	2.60	2.81	3.00	1.21	1.35	1.51	1.66	1.79	1.91
TCLE	1/4	0.22	0.25	0.28	0.32	0.35	0.38	0.17	0.19	0.21	0.23	0.25	0.27	0.11	0.12	0.14	0.15	0.16	0.17
TCLE	1/2	0.41	0.47	0.53	0.59	0.65	0.70	0.33	0.37	0.41	0.45	0.49	0.52	0.21	0.23	0.26	0.29	0.31	0.33
TCLE	1	0.84	0.97	1.08	1.21	1.33	1.43	0.66	0.74	0.83	0.90	0.98	1.04	0.42	0.47	0.53	0.58	0.62	0.66
TCLE	2	1.54	1.78	1.99	2.22	2.43	2.63	1.22	1.36	1.53	1.67	1.80	1.93	0.78	0.87	0.98	1.07	1.15	1.23
TCLE	3	2.25	2.60	2.90	3.25	3.56	3.84	1.78	1.99	2.23	2.44	2.63	2.81	1.13	1.26	1.41	1.55	1.67	1.79
TCLE	4-1/2	3.26	3.76	4.21	4.71	5.15	5.57	2.58	2.88	3.23	3.53	3.82	4.08	1.64	1.83	2.05	2.25	2.43	2.59
TCLE	7	4.50	5.20	5.81	6.50	7.12	7.69	3.55	3.97	4.44	4.86	5.25	5.61	2.26	2.53	2.83	3.09	3.34	3.57
TCLE	8	5.42	6.26	7.00	7.82	8.57	9.26	4.28	4.79	5.35	5.86	6.33	6.77	2.73	3.05	3.41	3.74	4.04	4.32
TJL	7	4.81	5.55	6.21	6.94	7.61	8.21	3.80	4.25	4.75	5.20	5.62	6.01	2.42	2.71	3.03	3.31	3.58	3.83
TJL	9	6.13	7.08	7.91	8.85	9.69	10.47	4.84	5.41	6.05	6.63	7.16	7.65	3.08	3.44	3.85	4.22	4.56	4.87

REFRIGERANT LIQUID TEMPERATURE VALVE CAPACITY MULTIPLIER CORRECTION FACTORS

	REFRIGERANT LIQUID TEMPERATURE °F														
	0	10	20	30	40	50	60	70	80	90	100	110	120	130	140
R-12	1.60	1.54	1.48	1.42	1.36	1.30	1.24	1.18	1.12	1.06	1.00	0.94	0.88	0.82	0.75
R-134a	1.70	1.63	1.56	1.49	1.42	1.36	1.29	1.21	1.14	1.07	1.00	0.93	0.85	0.78	0.71
R-22	1.56	1.51	1.45	1.40	1.34	1.29	1.23	1.17	1.12	1.06	1.00	0.94	0.88	0.82	0.76
R-404A/R-507	2.00	1.90	1.80	1.70	1.60	1.50	1.40	1.30	1.20	1.10	1.00	0.90	0.80	0.70	0.50
R-450A/R-513A	1.73	1.65	1.58	1.51	1.44	1.36	1.29	1.22	1.15	1.07	1.00	0.93	0.85	0.78	0.70
R-448A/R-449A	1.71	1.64	1.57	1.50	1.43	1.36	1.29	1.22	1.15	1.07	1.00	0.92	0.85	0.77	0.69

These factors include corrections for liquid refrigerant density and net refrigerating effect and are based on an average evaporator temperature of 0°F. However, they may be used for any evaporator temperature from -40°F to +40°F since the variation in the actual factors across this range is insignificant.

R-1234yf CONVENTIONAL PORTED VALVES (TONS) A SERIES

VALVE TYPE	NOMINAL RATING	EVAPORATOR TEMPERATURE																	
		50°F					40°F					20°F							
		PRESSURE DROP ACROSS VALVE (PSI)					PRESSURE DROP ACROSS VALVE (PSI)					PRESSURE DROP ACROSS VALVE (PSI)							
		60	80	100	125	150	175	60	80	100	125	150	175	60	80	100	125	150	175
AA/AN/AFA	1/14	0.06	0.07	0.07	0.08	0.09	0.10	0.06	0.06	0.07	0.08	0.09	0.09	0.04	0.05	0.05	0.06	0.07	0.07
AA/AN/AAC/ANC	1/8	0.10	0.11	0.13	0.14	0.16	0.17	0.10	0.11	0.12	0.14	0.15	0.16	0.07	0.09	0.10	0.11	0.12	0.13
AA/AN/AAC/ANC/AFA	1/4	0.17	0.20	0.22	0.25	0.28	0.30	0.17	0.20	0.22	0.24	0.27	0.29	0.13	0.15	0.17	0.19	0.21	0.22
AA/AN/AAC/ANC/AFA	3/8	0.28	0.32	0.36	0.40	0.44	0.48	0.27	0.31	0.35	0.39	0.43	0.46	0.21	0.24	0.27	0.30	0.33	0.36
AA/AN/AAC/ANC/AFA	1/2	0.40	0.46	0.52	0.58	0.63	0.68	0.39	0.45	0.50	0.56	0.61	0.66	0.30	0.34	0.38	0.43	0.47	0.51
AA/AN/AAC/ANC/AFA	3/4	0.59	0.68	0.76	0.85	0.93	1.01	0.57	0.66	0.74	0.82	0.90	0.98	0.44	0.51	0.57	0.63	0.69	0.75
AA/AN/AAC/ANC/AFA	1	0.83	0.95	1.07	1.19	1.31	1.41	0.80	0.93	1.03	1.16	1.27	1.37	0.62	0.71	0.80	0.89	0.97	1.05
AA/AN/AAC/ANC/AFA	3 1/4	1.01	1.17	1.31	1.46	1.60	1.73	0.98	1.13	1.27	1.42	1.55	1.68	0.75	0.87	0.97	1.09	1.19	1.29
AA/AN/AAC/ANC/AFA	1 1/2	1.20	1.39	1.55	1.73	1.90	2.05	1.17	1.35	1.50	1.68	1.84	1.99	0.90	1.03	1.16	1.29	1.42	1.53
AA/AN/AAC/ANC/AFA	2	1.64	1.90	2.12	2.37	2.60	2.81	1.59	1.84	2.06	2.30	2.52	2.72	1.23	1.41	1.58	1.77	1.94	2.09

VALVE TYPE	NOMINAL RATING	EVAPORATOR TEMPERATURE																	
		0°F					-20°F					-40°F							
		PRESSURE DROP ACROSS VALVE (PSI)					PRESSURE DROP ACROSS VALVE (PSI)					PRESSURE DROP ACROSS VALVE (PSI)							
		60	80	100	125	150	175	80	100	125	150	175	200	80	100	125	150	175	200
AA/AN/AFA	1/14	0.03	0.03	0.04	0.04	0.05	0.05	0.02	0.02	0.03	0.03	0.03	0.03	0.01	0.02	0.02	0.02	0.02	0.02
AA/AN/AAC/ANC	1/8	0.05	0.06	0.06	0.07	0.08	0.09	0.04	0.04	0.05	0.05	0.06	0.06	0.02	0.03	0.03	0.03	0.03	0.04
AA/AN/AAC/ANC/AFA	1/4	0.09	0.10	0.11	0.13	0.14	0.15	0.07	0.07	0.08	0.09	0.10	0.10	0.04	0.05	0.05	0.06	0.06	0.06
AA/AN/AAC/ANC/AFA	3/8	0.14	0.16	0.18	0.20	0.22	0.24	0.11	0.12	0.13	0.15	0.16	0.17	0.07	0.07	0.08	0.09	0.10	0.10
AA/AN/AAC/ANC/AFA	1/2	0.20	0.23	0.26	0.29	0.32	0.35	0.15	0.17	0.19	0.21	0.22	0.24	0.09	0.11	0.12	0.13	0.14	0.15
AA/AN/AAC/ANC/AFA	3/4	0.30	0.34	0.38	0.43	0.47	0.51	0.22	0.25	0.28	0.31	0.33	0.35	0.14	0.15	0.17	0.19	0.20	0.22
AA/AN/AAC/ANC/AFA	1	0.42	0.48	0.54	0.60	0.66	0.71	0.31	0.35	0.39	0.43	0.46	0.50	0.19	0.22	0.24	0.27	0.29	0.31
AA/AN/AAC/ANC/AFA	3-1/4	0.51	0.59	0.66	0.74	0.81	0.88	0.39	0.43	0.48	0.53	0.57	0.61	0.24	0.27	0.30	0.33	0.35	0.38
AA/AN/AAC/ANC/AFA	1-1/2	0.61	0.70	0.79	0.88	0.96	1.04	0.46	0.51	0.57	0.63	0.68	0.72	0.28	0.32	0.35	0.39	0.42	0.45
AA/AN/AAC/ANC/AFA	2	0.83	0.96	1.07	1.20	1.32	1.42	0.62	0.70	0.78	0.86	0.92	0.99	0.39	0.43	0.48	0.53	0.57	0.61

REFRIGERANT LIQUID TEMPERATURE VALVE CAPACITY MULTIPLIER CORRECTION FACTORS

	REFRIGERANT LIQUID TEMPERATURE °F														
	0	10	20	30	40	50	60	70	80	90	100	110	120	130	140
R-12	1.60	1.54	1.48	1.42	1.36	1.30	1.24	1.18	1.12	1.06	1.00	0.94	0.88	0.82	0.75
R-134a	1.70	1.63	1.56	1.49	1.42	1.36	1.29	1.21	1.14	1.07	1.00	0.93	0.85	0.78	0.71
R-22	1.56	1.51	1.45	1.40	1.34	1.29	1.23	1.17	1.12	1.06	1.00	0.94	0.88	0.82	0.76
R-404A/R-507	2.00	1.90	1.80	1.70	1.60	1.50	1.40	1.30	1.20	1.10	1.00	0.90	0.80	0.70	0.50
R-450A/R-513A	1.73	1.65	1.58	1.51	1.44	1.36	1.29	1.22	1.15	1.07	1.00	0.93	0.85	0.78	0.70
R-448A/R-449A	1.71	1.64	1.57	1.50	1.43	1.36	1.29	1.22	1.15	1.07	1.00	0.92	0.85	0.77	0.69

These factors include corrections for liquid refrigerant density and net refrigerating effect and are based on an average evaporator temperature of 0°F. However, they may be used for any evaporator temperature from -40°F to +40°F since the variation in the actual factors across this range is insignificant.

BALANCED PORTED VALVE CAPACITY TABLES

R-12 BALANCED PORTED VALVES (TONS) B / HF / TRAE / T SERIES

VALVE TYPE	NOMINAL RATING	EVAPORATOR TEMPERATURE																	
		50°F						40°F						20°F					
		PRESSURE DROP ACROSS VALVE (PSI)						PRESSURE DROP ACROSS VALVE (PSI)						PRESSURE DROP ACROSS VALVE (PSI)					
		60	80	100	125	150	175	60	80	100	125	150	175	60	80	100	125	150	175
BA/BN	1/4	0.30	0.35	0.39	0.43	0.47	0.51	0.30	0.35	0.39	0.43	0.47	0.51	0.28	0.32	0.36	0.40	0.44	0.48
BA/BN	1/2	0.57	0.66	0.74	0.82	0.90	0.97	0.56	0.65	0.72	0.81	0.89	0.96	0.54	0.62	0.70	0.78	0.85	0.92
BA/BN	1	0.90	1.04	1.16	1.30	1.42	1.54	0.88	1.02	1.14	1.27	1.39	1.50	0.84	0.97	1.08	1.21	1.33	1.43
BA/BN	1-1/4	1.20	1.39	1.55	1.73	1.90	2.05	1.17	1.35	1.51	1.69	1.85	2.00	1.13	1.30	1.46	1.63	1.79	1.93
BA/BN	1-1/2	1.51	1.74	1.95	2.18	2.39	2.58	1.48	1.71	1.91	2.14	2.34	2.53	1.42	1.64	1.83	2.05	2.25	2.43
BA/BN	2	1.83	2.11	2.36	2.64	2.89	3.13	1.80	2.08	2.32	2.60	2.85	3.07	1.72	1.99	2.22	2.48	2.72	2.94
BA/BN	2-1/2	2.37	2.74	3.06	3.42	3.75	4.05	2.33	2.69	3.01	3.36	3.68	3.98	2.23	2.57	2.88	3.22	3.53	3.81
BA/BN	3	3.00	3.46	3.87	4.33	4.74	5.12	2.94	3.39	3.80	4.24	4.65	5.02	2.82	3.26	3.64	4.07	4.46	4.82
BA/BN	3-1/2	3.73	4.31	4.82	5.38	5.90	6.37	3.66	4.23	4.73	5.28	5.79	6.25	3.51	4.05	4.53	5.07	5.55	5.99
HF	1/8	0.17	0.20	0.22	0.25	0.27	0.29	0.17	0.20	0.22	0.25	0.27	0.29	0.16	0.18	0.21	0.23	0.25	0.27
HF	1/4	0.32	0.37	0.41	0.46	0.51	0.55	0.31	0.36	0.40	0.45	0.49	0.53	0.30	0.35	0.39	0.43	0.47	0.51
HF	1/2	0.57	0.66	0.74	0.82	0.90	0.97	0.56	0.65	0.72	0.81	0.89	0.96	0.54	0.62	0.70	0.78	0.85	0.92
HF	1	0.88	1.02	1.14	1.27	1.39	1.50	0.86	0.99	1.11	1.24	1.36	1.47	0.82	0.95	1.06	1.18	1.30	1.40
HF	1-1/4	1.18	1.36	1.52	1.70	1.87	2.02	1.16	1.34	1.50	1.67	1.83	1.98	1.11	1.28	1.43	1.60	1.76	1.90
HF	1-1/2	1.51	1.74	1.95	2.18	2.39	2.58	1.48	1.71	1.91	2.14	2.34	2.53	1.42	1.64	1.83	2.05	2.25	2.43
HF	2	2.00	2.31	2.58	2.89	3.16	3.42	1.96	2.26	2.53	2.83	3.10	3.35	1.88	2.17	2.43	2.71	2.97	3.21
HF	3-1/2	3.55	4.10	4.58	5.12	5.61	6.06	3.48	4.02	4.49	5.02	5.50	5.94	3.34	3.86	4.31	4.82	5.28	5.70
HF	5	4.94	5.70	6.38	7.13	7.81	8.44	4.85	5.60	6.26	7.00	7.67	8.28	4.65	5.37	6.00	6.71	7.35	7.94
HF	6	6.26	7.23	8.08	9.04	9.90	10.69	6.13	7.08	7.91	8.85	9.69	10.47	5.88	6.79	7.59	8.49	9.30	10.04
HF	9	9.28	10.72	11.98	13.39	14.67	15.85	9.10	10.51	11.75	13.13	14.39	15.54	8.73	10.08	11.27	12.60	13.80	14.91
HF	12	12.22	14.11	15.78	17.64	19.32	20.87	11.98	13.83	15.47	17.29	18.94	20.46	11.49	13.27	14.83	16.58	18.17	19.62
TRAE+	7-1/2	7.14	8.24	9.22	10.31	11.29	12.19	7.00	8.08	9.04	10.10	11.07	11.95	6.71	7.75	8.66	9.69	10.61	11.46
TRAE+	10	10.41	12.02	13.44	15.03	16.46	17.78	10.20	11.78	13.17	14.72	16.13	17.42	9.78	11.29	12.63	14.12	15.46	16.70
TRAE+	12	11.62	13.42	15.00	16.77	18.37	19.84	11.39	13.15	14.70	16.44	18.01	19.45	10.92	12.61	14.10	15.76	17.27	18.65
TRAE+	18	17.61	20.33	22.73	25.42	27.84	30.07	17.26	19.93	22.28	24.91	27.29	29.48	16.55	19.11	21.37	23.89	26.17	28.26
TRAE+	25	24.20	27.94	31.24	34.93	38.26	41.33	23.73	27.40	30.64	34.25	37.52	40.53	22.75	26.27	29.37	32.84	35.97	38.85
TRAE	30	32.67	37.72	42.18	47.16	51.66	55.79	32.03	36.99	41.35	46.23	50.64	54.70	30.72	35.47	39.66	44.34	48.57	52.46
TRAE	35	35.64	41.15	46.01	51.44	56.35	60.87	34.94	40.35	45.11	50.43	55.24	59.67	33.51	38.69	43.26	48.37	52.98	57.23
TRAE	40	42.41	48.97	54.75	61.21	67.06	72.43	41.58	48.01	53.68	60.02	65.74	71.01	39.88	46.05	51.48	57.56	63.06	68.11
TJR	8	8.89	10.27	11.48	12.83	14.06	15.18	8.72	10.07	11.26	12.59	13.79	14.89	8.36	9.65	10.79	12.07	13.22	14.28
TJR	11	10.65	12.30	13.75	15.37	16.84	18.19	10.44	12.06	13.48	15.07	16.51	17.83	10.01	11.56	12.92	14.45	15.83	17.10
TER	13	13.31	15.37	17.18	19.21	21.04	22.73	13.05	15.07	16.85	18.84	20.63	22.29	12.51	14.45	16.15	18.06	19.78	21.36
TER	15	15.73	18.16	20.31	22.70	24.87	26.86	15.42	17.81	19.91	22.26	24.38	26.33	14.79	17.08	19.09	21.35	23.39	25.26
TER	20	21.18	24.46	27.34	30.57	33.49	36.17	20.76	23.97	26.80	29.96	32.82	35.45	19.91	22.99	25.70	28.74	31.48	34.00
TER	25	27.23	31.44	35.15	39.30	43.05	46.50	26.69	30.82	34.46	38.52	42.20	45.58	25.60	29.56	33.05	36.95	40.48	43.72
TIR	35	31.29	36.13	40.40	45.16	49.47	53.44	23.63	27.29	30.51	34.11	37.36	40.36	31.29	36.13	40.40	45.16	49.47	53.44
THR	45	42.35	48.90	54.67	61.13	66.96	72.33	41.52	47.94	53.60	59.93	65.65	70.91	39.82	45.98	51.41	57.48	62.96	68.01
THR	55	51.43	59.39	66.40	74.23	81.32	87.83	50.42	58.22	65.09	72.78	79.72	86.11	48.35	55.83	62.42	69.79	76.45	82.57
TMR	55	60.50	69.86	78.11	87.32	95.66	103.32	59.32	68.50	76.58	85.62	93.79	101.31	56.89	65.69	73.44	82.11	89.95	97.16

NOTE: Standard capacity is rated at 100°F liquid inlet and 40°F evaporator temperature; with 60 psi pressure drop across the TXV per ARI 750-2001.



Capacity Tables (kW)

R-12 BALANCED PORTED VALVES (TONS) B / HF / TRAE / T SERIES (CONTINUED)

VALVE TYPE	NOMINAL RATING	EVAPORATOR TEMPERATURE																	
		50°F						40°F						20°F					
		PRESSURE DROP ACROSS VALVE (PSI)						PRESSURE DROP ACROSS VALVE (PSI)						PRESSURE DROP ACROSS VALVE (PSI)					
		60	80	100	125	150	175	60	80	100	125	150	175	60	80	100	125	150	175
BA/BN	1/4	0.25	0.29	0.32	0.36	0.40	0.43	0.20	0.22	0.25	0.27	0.30	0.32	0.13	0.15	0.16	0.18	0.19	0.21
BA/BN	1/2	0.48	0.55	0.62	0.69	0.76	0.82	0.38	0.42	0.48	0.52	0.56	0.60	0.24	0.27	0.30	0.33	0.35	0.38
BA/BN	1	0.75	0.87	0.97	1.08	1.19	1.28	0.58	0.65	0.73	0.79	0.86	0.92	0.38	0.42	0.48	0.52	0.56	0.60
BA/BN	1-1/4	1.00	1.15	1.29	1.44	1.58	1.71	0.78	0.87	0.98	1.07	1.15	1.23	0.51	0.57	0.64	0.70	0.75	0.81
BA/BN	1-1/2	1.26	1.45	1.63	1.82	1.99	2.15	0.99	1.11	1.24	1.36	1.46	1.57	0.64	0.72	0.80	0.88	0.95	1.01
BA/BN	2	1.53	1.77	1.98	2.21	2.42	2.61	1.20	1.34	1.50	1.64	1.77	1.90	0.78	0.87	0.98	1.07	1.15	1.23
BA/BN	2-1/2	1.98	2.29	2.56	2.86	3.13	3.38	1.55	1.73	1.94	2.12	2.29	2.45	1.01	1.13	1.26	1.38	1.49	1.60
BA/BN	3	2.50	2.89	3.23	3.61	3.95	4.27	1.96	2.19	2.45	2.68	2.90	3.10	1.27	1.42	1.59	1.74	1.88	2.01
BA/BN	3-1/2	3.11	3.59	4.01	4.49	4.92	5.31	2.44	2.73	3.05	3.34	3.61	3.86	1.58	1.77	1.98	2.16	2.34	2.50
HF	1/8	0.14	0.16	0.18	0.20	0.22	0.24	0.11	0.12	0.14	0.15	0.16	0.17	0.07	0.08	0.09	0.10	0.10	0.11
HF	1/4	0.27	0.31	0.35	0.39	0.43	0.46	0.21	0.23	0.26	0.29	0.31	0.33	0.14	0.16	0.18	0.19	0.21	0.22
HF	1/2	0.48	0.55	0.62	0.69	0.76	0.82	0.38	0.42	0.48	0.52	0.56	0.60	0.24	0.27	0.30	0.33	0.35	0.38
HF	1	0.73	0.84	0.94	1.05	1.15	1.25	0.57	0.64	0.71	0.78	0.84	0.90	0.37	0.41	0.46	0.51	0.55	0.59
HF	1-1/4	0.98	1.13	1.27	1.41	1.55	1.67	0.77	0.86	0.96	1.05	1.14	1.22	0.50	0.56	0.63	0.68	0.74	0.79

Standard capacity is rated at 100°F liquid inlet and 40°F evaporator temperature; with 60 psi pressure drop across the TXV per ARI 750-2001.

REFRIGERANT LIQUID TEMPERATURE VALVE CAPACITY MULTIPLIER CORRECTION FACTORS

	REFRIGERANT LIQUID TEMPERATURE °F														
	0	10	20	30	40	50	60	70	80	90	100	110	120	130	140
R-12	1.60	1.54	1.48	1.42	1.36	1.30	1.24	1.18	1.12	1.06	1.00	0.94	0.88	0.82	0.75
R-134a	1.70	1.63	1.56	1.49	1.42	1.36	1.29	1.21	1.14	1.07	1.00	0.93	0.85	0.78	0.71
R-22	1.56	1.51	1.45	1.40	1.34	1.29	1.23	1.17	1.12	1.06	1.00	0.94	0.88	0.82	0.76
R-404A/R-507	2.00	1.90	1.80	1.70	1.60	1.50	1.40	1.30	1.20	1.10	1.00	0.90	0.80	0.70	0.50
R-450A/R-513A	1.73	1.65	1.58	1.51	1.44	1.36	1.29	1.22	1.15	1.07	1.00	0.93	0.85	0.78	0.70
R-448A/R-449A	1.71	1.64	1.57	1.50	1.43	1.36	1.29	1.22	1.15	1.07	1.00	0.92	0.85	0.77	0.69

These factors include corrections for liquid refrigerant density and net refrigerating effect and are based on an average evaporator temperature of 0°F. However, they may be used for any evaporator temperature from -40°F to +40°F since the variation in the actual factors across this range is insignificant.

R-22 BALANCED PORTED VALVES (TONS) B | HF | TFE | TRAE | T SERIES

VALVE TYPE	NOMINAL RATING	EVAPORATOR TEMPERATURE																	
		50°F						40°F						20°F					
		PRESSURE DROP ACROSS VALVE (PSI)						PRESSURE DROP ACROSS VALVE (PSI)						PRESSURE DROP ACROSS VALVE (PSI)					
		60	80	100	125	150	175	60	80	100	125	150	175	60	80	100	125	150	175
BA/BN	1/2	0.39	0.45	0.50	0.56	0.62	0.67	0.39	0.45	0.50	0.56	0.61	0.66	0.38	0.44	0.49	0.55	0.60	0.65
BA/BN	1	0.75	0.87	0.97	1.08	1.19	1.28	0.74	0.85	0.95	1.06	1.16	1.26	0.72	0.83	0.93	1.04	1.14	1.23
BA/BN	1-1/2	1.16	1.34	1.50	1.67	1.83	1.98	1.15	1.32	1.48	1.65	1.81	1.96	1.12	1.29	1.45	1.62	1.77	1.91
BA/BN	2	1.56	1.80	2.01	2.25	2.47	2.66	1.53	1.77	1.98	2.21	2.42	2.62	1.50	1.73	1.94	2.17	2.37	2.56
BA/BN	2-1/2	1.96	2.26	2.53	2.83	3.10	3.35	1.94	2.24	2.50	2.80	3.06	3.31	1.89	2.18	2.44	2.73	2.99	3.23
BA/BN	3	2.38	2.75	3.07	3.44	3.76	4.06	2.35	2.71	3.03	3.39	3.71	4.01	2.29	2.64	2.96	3.31	3.62	3.91
BA/BN	4	3.08	3.56	3.98	4.45	4.87	5.26	3.04	3.51	3.92	4.38	4.80	5.19	2.97	3.43	3.83	4.29	4.70	5.07
BA/BN	5	3.90	4.50	5.03	5.63	6.17	6.66	3.85	4.45	4.97	5.56	6.09	6.57	3.75	4.33	4.84	5.41	5.93	6.40
BA/BN	6	4.85	5.60	6.26	7.00	7.67	8.28	4.78	5.52	6.17	6.90	7.56	8.16	4.67	5.39	6.03	6.74	7.38	7.98
HF	1/4	0.22	0.25	0.28	0.32	0.35	0.38	0.22	0.25	0.28	0.31	0.34	0.37	0.21	0.24	0.27	0.30	0.33	0.36
HF	1/2	0.42	0.48	0.54	0.61	0.66	0.72	0.41	0.47	0.53	0.59	0.65	0.70	0.40	0.46	0.52	0.58	0.63	0.68
HF	1	0.75	0.87	0.97	1.08	1.19	1.28	0.74	0.85	0.95	1.06	1.16	1.26	0.72	0.83	0.93	1.04	1.14	1.23
HF	1-1/2	1.14	1.32	1.47	1.65	1.80	1.95	1.12	1.30	1.45	1.62	1.78	1.92	1.10	1.27	1.42	1.59	1.74	1.88
HF	2	1.53	1.77	1.98	2.21	2.42	2.61	1.52	1.75	1.96	2.19	2.40	2.59	1.48	1.71	1.91	2.14	2.34	2.53
HF	2-1/2	1.96	2.26	2.53	2.83	3.10	3.35	1.94	2.25	2.51	2.81	3.07	3.32	1.89	2.18	2.44	2.73	2.99	3.23
HF	3	2.59	2.99	3.34	3.74	4.10	4.42	2.56	2.96	3.31	3.70	4.05	4.38	2.50	2.89	3.23	3.61	3.95	4.27
HF	5-1/2	4.61	5.32	5.95	6.65	7.29	7.87	4.56	5.27	5.89	6.59	7.21	7.79	4.44	5.13	5.73	6.41	7.02	7.58
HF	8	6.42	7.41	8.29	9.27	10.15	10.96	6.34	7.33	8.19	9.16	10.03	10.83	6.18	7.14	7.98	8.92	9.77	10.55
HF	10	8.13	9.39	10.50	11.73	12.85	13.88	8.06	9.30	10.40	11.63	12.74	13.76	7.83	9.04	10.11	11.30	12.38	13.37
HF	15	12.05	13.91	15.56	17.39	19.05	20.58	11.91	13.77	15.40	17.22	18.86	20.37	11.61	13.41	14.99	16.76	18.36	19.83
HF	20	15.87	18.33	20.49	22.91	25.09	27.10	15.68	18.07	20.20	22.58	24.74	26.72	15.28	17.64	19.73	22.05	24.16	26.10
TFE	8	6.30	7.27	8.13	9.09	9.96	10.76	6.23	7.19	8.04	8.99	9.85	10.64	6.07	7.01	7.84	8.76	9.60	10.37
TFE	10	8.63	9.97	11.14	12.46	13.65	14.74	8.53	9.85	11.01	12.31	13.48	14.56	8.31	9.60	10.73	11.99	13.14	14.19
TFE	12	10.71	12.37	13.83	15.46	16.93	18.29	10.59	12.23	13.67	15.28	16.74	18.08	10.32	11.92	13.32	14.90	16.32	17.62
TFE	20	16.35	18.88	21.11	23.60	25.85	27.92	16.17	18.67	20.87	23.33	25.56	27.61	15.75	18.19	20.33	22.73	24.90	26.90
TRAE+	10	9.27	10.70	11.97	13.38	14.66	15.83	9.16	10.58	11.83	13.23	14.49	15.65	8.93	10.31	11.53	12.89	14.12	15.25
TRAE+	15	13.52	15.61	17.45	19.51	21.38	23.09	13.36	15.43	17.25	19.29	21.13	22.82	13.02	15.03	16.81	18.79	20.59	22.24
TRAE+	20	15.09	17.42	19.48	21.78	23.86	25.77	14.91	17.22	19.25	21.52	23.58	25.47	14.53	16.78	18.76	20.97	22.97	24.81
TRAE+	30	22.87	26.41	29.53	33.01	36.16	39.06	22.60	26.10	29.18	32.62	35.74	38.60	22.02	25.43	28.43	31.78	34.82	37.61
TRAE+	40	31.43	36.29	40.58	45.37	49.70	53.68	31.07	35.88	40.11	44.84	49.12	53.06	30.27	34.95	39.08	43.69	47.86	51.70
TRAE	50	42.43	48.99	54.78	61.24	67.09	72.46	41.94	48.42	54.14	60.53	66.31	71.62	40.87	47.19	52.76	58.99	64.62	69.80
TRAE	60	46.28	53.44	59.75	66.80	73.18	79.04	45.75	52.82	59.06	66.03	72.33	78.13	44.58	51.48	57.55	64.35	70.49	76.13
TRAE	70	55.09	63.61	71.12	79.52	87.10	94.08	54.45	62.87	70.29	78.59	86.09	92.98	53.06	61.27	68.50	76.59	83.90	90.62
TJR	14	11.55	13.34	14.91	16.67	18.26	19.73	11.42	13.18	14.74	16.48	18.05	19.50	11.13	12.85	14.37	16.06	17.60	19.01
TJR	18	13.83	15.97	17.85	19.96	21.87	23.62	13.67	15.79	17.65	19.73	21.62	23.35	13.32	15.38	17.20	19.23	21.06	22.75
TER	22	17.29	19.96	22.32	24.96	27.34	29.53	17.09	19.73	22.06	24.66	27.02	29.18	16.65	19.23	21.50	24.03	26.33	28.44
TER	26	20.43	23.59	26.38	29.49	32.30	34.89	20.19	23.32	26.07	29.15	31.93	34.49	19.68	22.72	25.41	28.41	31.12	33.61
TER	35	27.50	31.75	35.50	39.69	43.48	46.97	27.18	31.39	35.09	39.23	42.98	46.42	26.49	30.59	34.20	38.24	41.88	45.24
TER	45	35.36	40.83	45.65	51.04	55.91	60.39	34.95	40.36	45.12	50.45	55.26	59.69	34.06	39.33	43.97	49.16	53.85	58.17
TIR	55	43.22	49.91	55.80	62.38	68.34	73.81	42.72	49.33	55.15	61.66	67.54	72.96	41.63	48.07	53.74	60.09	65.82	71.10
THR	75	55.01	63.52	71.02	79.40	86.98	93.95	54.37	62.78	70.19	78.47	85.96	92.85	52.98	61.18	68.40	76.47	83.77	90.48
THR	85	66.79	77.12	86.23	96.40	105.60	114.07	66.02	76.23	85.23	95.29	104.39	112.75	64.33	74.28	83.05	92.85	101.71	109.86
TMR	100	78.58	90.74	101.45	113.42	124.25	134.20	77.67	89.68	100.27	112.11	122.81	132.64	75.69	87.40	97.72	109.25	119.68	129.27

Standard capacity is rated at 100°F liquid inlet and 40°F evaporator temperature; with 60 psi pressure drop across the TXV per ARI 750-2001.

R-22 BALANCED PORTED VALVES (TONS) B / HF / TFE / TRAE / T SERIES (CONTINUED)

VALVE TYPE	NOMINAL RATING	EVAPORATOR TEMPERATURE																	
		0°F						-20°F						-40°F					
		PRESSURE DROP ACROSS VALVE (PSI)						PRESSURE DROP ACROSS VALVE (PSI)						PRESSURE DROP ACROSS VALVE (PSI)					
		60	80	100	125	150	175	80	100	125	150	175	200	80	100	125	150	175	200
BA/BN	1/2	0.34	0.39	0.44	0.49	0.54	0.58	0.27	0.30	0.34	0.37	0.40	0.43	0.18	0.20	0.23	0.25	0.27	0.28
BA/BN	1	0.65	0.75	0.84	0.94	1.03	1.11	0.52	0.58	0.65	0.71	0.77	0.82	0.34	0.38	0.43	0.47	0.50	0.54
BA/BN	1-1/2	1.02	1.18	1.32	1.47	1.61	1.74	0.81	0.91	1.01	1.11	1.20	1.28	0.53	0.59	0.66	0.73	0.78	0.84
BA/BN	2	1.36	1.57	1.76	1.96	2.15	2.32	1.08	1.21	1.35	1.48	1.60	1.71	0.71	0.79	0.89	0.97	1.05	1.12
BA/BN	2-1/2	1.72	1.99	2.22	2.48	2.72	2.94	1.37	1.53	1.71	1.88	2.03	2.17	0.90	1.01	1.13	1.23	1.33	1.42
BA/BN	3	2.08	2.40	2.69	3.00	3.29	3.55	1.66	1.86	2.08	2.27	2.46	2.62	1.09	1.22	1.36	1.49	1.61	1.72
BA/BN	4	2.69	3.11	3.47	3.88	4.25	4.59	2.15	2.40	2.69	2.94	3.18	3.40	1.41	1.58	1.76	1.93	2.09	2.23
BA/BN	5	3.40	3.93	4.39	4.91	5.38	5.81	2.72	3.04	3.40	3.72	4.02	4.30	1.79	2.00	2.24	2.45	2.65	2.83
BA/BN	6	4.23	4.88	5.46	6.11	6.69	7.22	3.38	3.78	4.23	4.63	5.00	5.34	2.23	2.49	2.79	3.05	3.30	3.53
HF	1/4	0.19	0.22	0.25	0.27	0.30	0.32	0.15	0.17	0.19	0.21	0.22	0.24	0.10	0.11	0.13	0.14	0.15	0.16
HF	1/2	0.36	0.42	0.46	0.52	0.57	0.61	0.29	0.32	0.36	0.40	0.43	0.46	0.19	0.21	0.24	0.26	0.28	0.30
HF	1	0.65	0.75	0.84	0.94	1.03	1.11	0.52	0.58	0.65	0.71	0.77	0.82	0.34	0.38	0.43	0.47	0.50	0.54
HF	1-1/2	1.00	1.15	1.29	1.44	1.58	1.71	0.79	0.88	0.99	1.08	1.17	1.25	0.52	0.58	0.65	0.71	0.77	0.82
HF	2	1.34	1.55	1.73	1.93	2.12	2.29	1.07	1.20	1.34	1.47	1.58	1.69	0.70	0.78	0.88	0.96	1.04	1.11
HF	2-1/2	1.72	1.99	2.22	2.48	2.72	2.94	1.37	1.53	1.71	1.88	2.03	2.17	0.90	1.01	1.13	1.23	1.33	1.42
HF	3	2.26	2.61	2.92	3.26	3.57	3.86	1.81	2.02	2.26	2.48	2.68	2.86	1.19	1.33	1.49	1.63	1.76	1.88
HF	5-1/2	4.03	4.65	5.20	5.82	6.37	6.88	3.22	3.60	4.03	4.41	4.76	5.09	2.12	2.37	2.65	2.90	3.14	3.35
HF	8	5.61	6.48	7.24	8.10	8.87	9.58	4.48	5.01	5.60	6.13	6.63	7.08	2.95	3.30	3.69	4.04	4.36	4.66
HF	10	7.10	8.20	9.17	10.25	11.23	12.13	5.67	6.34	7.09	7.76	8.39	8.97	3.73	4.17	4.66	5.11	5.52	5.90
HF	15	10.53	12.16	13.59	15.20	16.65	17.98	8.40	9.39	10.50	11.50	12.42	13.28	5.53	6.18	6.91	7.57	8.18	8.74
HF	20	13.86	16.00	17.89	20.01	21.91	23.67	11.06	12.37	13.83	15.14	16.36	17.49	7.28	8.14	9.10	9.97	10.77	11.51
TFE	8	5.50	6.35	7.10	7.94	8.70	9.39	4.39	4.91	5.49	6.01	6.49	6.94	2.89	3.23	3.61	3.96	4.27	4.57
TFE	10	7.54	8.71	9.73	10.88	11.92	12.88	6.02	6.73	7.53	8.24	8.90	9.52	3.96	4.43	4.95	5.42	5.86	6.26
TFE	12	9.35	10.80	12.07	13.50	14.78	15.97	7.47	8.35	9.34	10.23	11.05	11.81	4.92	5.50	6.15	6.74	7.28	7.78
TFE	20	14.28	16.49	18.44	20.61	22.58	24.39	11.40	12.75	14.25	15.61	16.86	18.02	7.51	8.40	9.39	10.28	11.11	11.87
TRAE+	10	8.10	9.35	10.46	11.69	12.81	13.83	6.47	7.23	8.09	8.86	9.57	10.23	4.26	4.76	5.33	5.83	6.30	6.74
TRAE+	15	11.80	13.63	15.23	17.03	18.66	20.15	9.42	10.53	11.78	12.90	13.93	14.89	6.21	6.94	7.76	8.50	9.18	9.82
TRAE+	20	13.18	15.22	17.02	19.02	20.84	22.51	10.52	11.76	13.15	14.41	15.56	16.63	6.93	7.75	8.66	9.49	10.25	10.96
TRAE+	30	19.97	23.06	25.78	28.82	31.58	34.11	15.94	17.82	19.93	21.83	23.58	25.20	10.50	11.74	13.13	14.38	15.53	16.60
TRAE+	40	27.45	31.70	35.44	39.62	43.40	46.88	21.92	24.51	27.40	30.02	32.42	34.66	14.43	16.13	18.04	19.76	21.34	22.82
TRAE	50	37.06	42.79	47.84	53.49	58.60	63.29	29.59	33.08	36.99	40.52	43.76	46.79	19.48	21.78	24.35	26.67	28.81	30.80
TRAE	60	40.42	46.67	52.18	58.34	63.91	69.03	32.27	36.08	40.34	44.19	47.73	51.02	21.25	23.76	26.56	29.10	31.43	33.60
TRAE	70	48.11	55.55	62.11	69.44	76.07	82.16	38.41	42.94	48.01	52.60	56.81	60.73	25.29	28.28	31.61	34.63	37.40	39.99
TJR	14	10.09	11.65	13.03	14.56	15.95	17.23	8.05	9.00	10.06	11.02	11.91	12.73	5.30	5.93	6.63	7.26	7.84	8.38
TJR	18	12.08	13.95	15.60	17.44	19.10	20.63	9.64	10.78	12.05	13.20	14.26	15.24	6.35	7.10	7.94	8.70	9.39	10.04
TER	22	15.10	17.44	19.49	21.79	23.88	25.79	12.05	13.47	15.06	16.50	17.82	19.05	7.94	8.88	9.93	10.87	11.74	12.55
TER	26	17.84	20.60	23.03	25.75	28.21	30.47	14.25	15.93	17.81	19.51	21.08	22.53	9.38	10.49	11.73	12.84	13.87	14.83
TER	35	24.02	27.74	31.01	34.67	37.98	41.02	19.18	21.44	23.98	26.26	28.37	30.33	12.63	14.12	15.79	17.29	18.68	19.97
TER	45	30.88	35.66	39.87	44.57	48.83	52.74	24.66	27.57	30.83	33.77	36.47	38.99	16.24	18.16	20.30	22.24	24.02	25.68
TIR	55	37.75	43.59	48.74	54.49	59.69	64.47	30.13	33.69	37.66	41.26	44.56	47.64	19.84	22.18	24.80	27.17	29.34	31.37
THR	75	48.04	55.47	62.02	69.34	75.96	82.04	38.35	42.88	47.94	52.51	56.72	60.64	25.26	28.24	31.58	34.59	37.36	39.94
THR	85	58.33	67.35	75.30	84.19	92.23	99.62	46.57	52.07	58.21	63.77	68.88	73.63	30.67	34.29	38.34	42.00	45.36	48.49
TMR	100	68.63	79.25	88.60	99.06	108.51	117.21	54.79	61.26	68.49	75.02	81.04	86.63	36.08	40.34	45.10	49.40	53.36	57.05

Standard capacity is rated at 100°F liquid inlet and 40°F evaporator temperature; with 60 psi pressure drop across the TXV per ARI 750-2001.

REFRIGERANT LIQUID TEMPERATURE VALVE CAPACITY MULTIPLIER CORRECTION FACTORS

	REFRIGERANT LIQUID TEMPERATURE °F														
	0	10	20	30	40	50	60	70	80	90	100	110	120	130	140
R-12	1.60	1.54	1.48	1.42	1.36	1.30	1.24	1.18	1.12	1.06	1.00	0.94	0.88	0.82	0.75
R-134a	1.70	1.63	1.56	1.49	1.42	1.36	1.29	1.21	1.14	1.07	1.00	0.93	0.85	0.78	0.71
R-22	1.56	1.51	1.45	1.40	1.34	1.29	1.23	1.17	1.12	1.06	1.00	0.94	0.88	0.82	0.76
R-404A/R-507	2.00	1.90	1.80	1.70	1.60	1.50	1.40	1.30	1.20	1.10	1.00	0.90	0.80	0.70	0.50
R-450A/R-513A	1.73	1.65	1.58	1.51	1.44	1.36	1.29	1.22	1.15	1.07	1.00	0.93	0.85	0.78	0.70
R-448A/R-449A	1.71	1.64	1.57	1.50	1.43	1.36	1.29	1.22	1.15	1.07	1.00	0.92	0.85	0.77	0.69

These factors include corrections for liquid refrigerant density and net refrigerating effect and are based on an average evaporator temperature of 0°F. However, they may be used for any evaporator temperature from -40°F to +40°F since the variation in the actual factors across this range is insignificant.

R-134a BALANCED PORTED VALVES (TONS) B / HF / TFE / TRAE / T SERIES

VALVE TYPE	NOMINAL RATING	EVAPORATOR TEMPERATURE																	
		50°F						40°F						20°F					
		PRESSURE DROP ACROSS VALVE (PSI)						PRESSURE DROP ACROSS VALVE (PSI)						PRESSURE DROP ACROSS VALVE (PSI)					
		60	80	100	125	150	175	60	80	100	125	150	175	60	80	100	125	150	175
BA/BN	1/2	0.37	0.43	0.48	0.53	0.59	0.63	0.37	0.43	0.48	0.53	0.59	0.63	0.35	0.40	0.45	0.51	0.55	0.60
BA/BN	3/4	0.71	0.82	0.92	1.02	1.12	1.21	0.70	0.81	0.90	1.01	1.11	1.20	0.67	0.77	0.86	0.97	1.06	1.14
BA/BN	1	1.11	1.28	1.43	1.60	1.76	1.90	1.09	1.26	1.41	1.57	1.72	1.86	1.04	1.20	1.34	1.50	1.64	1.78
BA/BN	1-1/2	1.48	1.71	1.91	2.14	2.34	2.53	1.45	1.67	1.87	2.09	2.29	2.48	1.39	1.61	1.79	2.01	2.20	2.37
BA/BN	2	1.87	2.16	2.41	2.70	2.96	3.19	1.84	2.12	2.38	2.66	2.91	3.14	1.76	2.03	2.27	2.54	2.78	3.01
BA/BN	2-1/4	2.27	2.62	2.93	3.28	3.59	3.88	2.22	2.56	2.87	3.20	3.51	3.79	2.13	2.46	2.75	3.07	3.37	3.64
BA/BN	3	2.94	3.39	3.80	4.24	4.65	5.02	2.88	3.33	3.72	4.16	4.55	4.92	2.75	3.18	3.55	3.97	4.35	4.70
BA/BN	3-1/2	3.72	4.30	4.80	5.37	5.88	6.35	3.64	4.20	4.70	5.25	5.76	6.22	3.48	4.02	4.49	5.02	5.50	5.94
BA/BN	4-1/4	4.62	5.33	5.96	6.67	7.30	7.89	4.53	5.23	5.85	6.54	7.16	7.74	4.33	5.00	5.59	6.25	6.85	7.39
HF	1/4	0.21	0.24	0.27	0.30	0.33	0.36	0.21	0.24	0.27	0.30	0.33	0.36	0.20	0.23	0.26	0.29	0.32	0.34
HF	1/2	0.40	0.46	0.52	0.58	0.63	0.68	0.39	0.45	0.50	0.56	0.62	0.67	0.37	0.43	0.48	0.53	0.59	0.63
HF	3/4	0.71	0.82	0.92	1.02	1.12	1.21	0.70	0.81	0.90	1.01	1.11	1.20	0.67	0.77	0.86	0.97	1.06	1.14
HF	1	1.09	1.26	1.41	1.57	1.72	1.86	1.06	1.22	1.37	1.53	1.68	1.81	1.02	1.18	1.32	1.47	1.61	1.74
HF	1-1/2	1.46	1.69	1.88	2.11	2.31	2.49	1.43	1.65	1.85	2.06	2.26	2.44	1.37	1.58	1.77	1.98	2.17	2.34
HF	1-3/4	1.87	2.16	2.41	2.70	2.96	3.19	1.84	2.12	2.38	2.66	2.91	3.14	1.76	2.03	2.27	2.54	2.78	3.01
HF	2-1/2	2.47	2.85	3.19	3.57	3.91	4.22	2.42	2.79	3.12	3.49	3.83	4.13	2.32	2.68	3.00	3.35	3.67	3.96
HF	4	4.40	5.08	5.68	6.35	6.96	7.51	4.31	4.98	5.56	6.22	6.81	7.36	4.12	4.76	5.32	5.95	6.51	7.04
HF	6	6.12	7.07	7.90	8.83	9.68	10.45	6.00	6.93	7.75	8.66	9.49	10.25	5.74	6.63	7.41	8.28	9.08	9.80
HF	7-1/2	7.75	8.95	10.01	11.19	12.25	13.24	7.59	8.76	9.80	10.96	12.00	12.96	7.26	8.38	9.37	10.48	11.48	12.40
HF	11	11.50	13.28	14.85	16.60	18.18	19.64	11.26	13.00	14.54	16.25	17.80	19.23	10.77	12.44	13.90	15.55	17.03	18.39
HF	14	15.13	17.47	19.53	21.84	23.92	25.84	14.82	17.11	19.13	21.39	23.43	25.31	14.18	16.37	18.31	20.47	22.42	24.22
TFE	6	6.01	6.94	7.76	8.67	9.50	10.26	5.89	6.80	7.60	8.50	9.31	10.06	5.63	6.50	7.27	8.13	8.90	9.62
TFE	8	8.23	9.50	10.62	11.88	13.01	14.06	8.06	9.31	10.41	11.63	12.74	13.77	7.71	8.90	9.95	11.13	12.19	13.17
TFE	10	10.22	11.80	13.19	14.75	16.16	17.45	10.01	11.56	12.92	14.45	15.83	17.10	9.57	11.05	12.35	13.81	15.13	16.34
TFE	15	15.60	18.01	20.14	22.52	24.67	26.64	15.28	17.64	19.73	22.05	24.16	26.10	14.61	16.87	18.86	21.09	23.10	24.95
TRAE+	9	8.84	10.21	11.41	12.76	13.98	15.10	8.66	10.00	11.18	12.50	13.69	14.79	8.29	9.57	10.70	11.97	13.11	14.16
TRAE+	13	12.89	14.88	16.64	18.61	20.38	22.01	12.63	14.58	16.31	18.23	19.97	21.57	12.08	13.95	15.60	17.44	19.10	20.63
TRAE+	14	14.39	16.62	18.58	20.77	22.75	24.58	14.09	16.27	18.19	20.34	22.28	24.06	13.48	15.57	17.40	19.46	21.31	23.02
TRAE+	22	21.81	25.18	28.16	31.48	34.48	37.25	21.36	24.66	27.58	30.83	33.77	36.48	20.43	23.59	26.38	29.49	32.30	34.89
TRAE+	30	29.98	34.62	38.70	43.27	47.40	51.20	29.36	33.90	37.90	42.38	46.42	50.14	28.09	32.44	36.26	40.54	44.41	47.97
TRAE	40	40.48	46.74	52.26	58.43	64.00	69.13	39.64	45.77	51.18	57.22	62.68	67.70	37.92	43.79	48.95	54.73	59.96	64.76
TRAE	45	44.15	50.98	57.00	63.73	69.81	75.40	43.24	49.93	55.82	62.41	68.37	73.85	41.36	47.76	53.40	59.70	65.40	70.64
TRAE	50	52.54	60.67	67.83	75.83	83.07	89.73	51.46	59.42	66.43	74.28	81.37	87.88	49.22	56.83	63.54	71.04	77.82	84.06
TJR	11	11.02	12.72	14.23	15.91	17.42	18.82	10.79	12.46	13.93	15.57	17.06	18.43	10.32	11.92	13.32	14.90	16.32	17.62
TJR	13	13.19	15.23	17.03	19.04	20.86	22.53	12.92	14.92	16.68	18.65	20.43	22.07	12.36	14.27	15.96	17.84	19.54	21.11
TER	16	16.49	19.04	21.29	23.80	26.07	28.16	16.15	18.65	20.85	23.31	25.54	27.58	15.45	17.84	19.95	22.30	24.43	26.39
TER	19	19.49	22.51	25.16	28.13	30.82	33.29	19.09	22.04	24.65	27.55	30.18	32.60	18.26	21.08	23.57	26.36	28.87	31.18
TER	25	26.23	30.29	33.86	37.86	41.47	44.80	25.69	29.66	33.17	37.08	40.62	43.87	24.58	28.38	31.73	35.48	38.86	41.98
TER	31	33.73	38.95	43.55	48.69	53.33	57.60	33.03	38.14	42.64	47.67	52.23	56.41	31.60	36.49	40.80	45.61	49.96	53.97
TIR	45	41.23	47.61	53.23	59.51	65.19	70.41	40.37	46.62	52.12	58.27	63.83	68.94	38.62	44.59	49.86	55.74	61.06	65.96
THR	55	52.47	60.59	67.74	75.73	82.96	89.61	51.38	59.33	66.33	74.16	81.24	87.75	49.15	56.75	63.45	70.94	77.71	83.94
THR	68	63.71	73.57	82.25	91.96	100.73	108.81	62.40	72.05	80.56	90.07	98.66	106.57	59.69	68.92	77.06	86.16	94.38	101.94
TMR	68	74.95	86.54	96.76	108.18	118.51	128.00	73.41	84.77	94.77	105.96	116.07	125.37	70.22	81.08	90.65	101.35	111.03	119.92

Standard capacity is rated at 100°F liquid inlet and 40°F evaporator temperature; with 60 psi pressure drop across the TXV per ARI 750-2001.

R-134a BALANCED PORTED VALVES (TONS) B | HF | TFE | TRAE | T SERIES (CONTINUED)

VALVE TYPE	NOMINAL RATING	EVAPORATOR TEMPERATURE																	
		0°F						-20°F						-40°F					
		PRESSURE DROP ACROSS VALVE (PSI)						PRESSURE DROP ACROSS VALVE (PSI)						PRESSURE DROP ACROSS VALVE (PSI)					
		60	80	100	125	150	175	80	100	125	150	175	200	80	100	125	150	175	200
BA/BN	1/2	0.29	0.33	0.37	0.42	0.46	0.50	0.22	0.25	0.28	0.30	0.33	0.35	0.13	0.15	0.16	0.18	0.19	0.21
BA/BN	3/4	0.55	0.64	0.71	0.79	0.87	0.94	0.41	0.46	0.51	0.56	0.61	0.65	0.25	0.28	0.31	0.34	0.37	0.40
BA/BN	1	0.86	0.99	1.11	1.24	1.36	1.47	0.64	0.72	0.80	0.88	0.95	1.01	0.39	0.44	0.49	0.53	0.58	0.62
BA/BN	1-1/2	1.14	1.32	1.47	1.65	1.80	1.95	0.85	0.95	1.06	1.16	1.26	1.34	0.52	0.58	0.65	0.71	0.77	0.82
BA/BN	2	1.44	1.66	1.86	2.08	2.28	2.46	1.08	1.21	1.35	1.48	1.60	1.71	0.66	0.74	0.83	0.90	0.98	1.04
BA/BN	2-1/4	1.75	2.02	2.26	2.53	2.77	2.99	1.31	1.46	1.64	1.79	1.94	2.07	0.80	0.89	1.00	1.10	1.18	1.26
BA/BN	3	2.27	2.62	2.93	3.28	3.59	3.88	1.69	1.89	2.11	2.31	2.50	2.67	1.04	1.16	1.30	1.42	1.54	1.64
BA/BN	3-1/2	2.87	3.31	3.71	4.14	4.54	4.90	2.14	2.39	2.68	2.93	3.17	3.38	1.31	1.46	1.64	1.79	1.94	2.07
BA/BN	4-1/4	3.57	4.12	4.61	5.15	5.64	6.10	2.66	2.97	3.33	3.64	3.93	4.21	1.63	1.82	2.04	2.23	2.41	2.58
HF	1/4	0.16	0.18	0.21	0.23	0.25	0.27	0.12	0.13	0.15	0.16	0.18	0.19	0.07	0.08	0.09	0.10	0.10	0.11
HF	1/2	0.31	0.36	0.40	0.45	0.49	0.53	0.23	0.26	0.29	0.31	0.34	0.36	0.14	0.16	0.18	0.19	0.21	0.22
HF	3/4	0.55	0.64	0.71	0.79	0.87	0.94	0.41	0.46	0.51	0.56	0.61	0.65	0.25	0.28	0.31	0.34	0.37	0.40
HF	1	0.84	0.97	1.08	1.21	1.33	1.43	0.63	0.70	0.79	0.86	0.93	1.00	0.38	0.42	0.48	0.52	0.56	0.60
HF	1-1/2	1.13	1.30	1.46	1.63	1.79	1.93	0.84	0.94	1.05	1.15	1.24	1.33	0.52	0.58	0.65	0.71	0.77	0.82
HF	1-3/4	1.44	1.66	1.86	2.08	2.28	2.46	1.08	1.21	1.35	1.48	1.60	1.71	0.66	0.74	0.83	0.90	0.98	1.04
HF	2-1/2	1.91	2.21	2.47	2.76	3.02	3.26	1.42	1.59	1.78	1.94	2.10	2.25	0.87	0.97	1.09	1.19	1.29	1.38
HF	4	3.39	3.91	4.38	4.89	5.36	5.79	2.53	2.83	3.16	3.46	3.74	4.00	1.55	1.73	1.94	2.12	2.29	2.45
HF	6	4.72	5.45	6.09	6.81	7.46	8.06	3.52	3.94	4.40	4.82	5.21	5.57	2.16	2.41	2.70	2.96	3.19	3.42
HF	7-1/2	5.98	6.91	7.72	8.63	9.46	10.21	4.46	4.99	5.58	6.11	6.60	7.05	2.74	3.06	3.43	3.75	4.05	4.33
HF	11	8.87	10.24	11.45	12.80	14.02	15.15	6.62	7.40	8.28	9.06	9.79	10.47	4.06	4.54	5.08	5.56	6.00	6.42
HF	14	11.67	13.48	15.07	16.84	18.45	19.93	8.71	9.74	10.89	11.93	12.88	13.77	5.34	5.97	6.68	7.31	7.90	8.44
TFE	6	4.64	5.36	5.99	6.70	7.34	7.92	3.46	3.87	4.33	4.74	5.12	5.47	2.12	2.37	2.65	2.90	3.14	3.35
TFE	8	6.35	7.33	8.20	9.17	10.04	10.84	4.74	5.30	5.93	6.49	7.01	7.49	2.91	3.25	3.64	3.98	4.30	4.60
TFE	10	7.88	9.10	10.17	11.37	12.46	13.46	5.88	6.57	7.35	8.05	8.70	9.30	3.61	4.04	4.51	4.94	5.34	5.71
TFE	15	12.03	13.89	15.53	17.36	19.02	20.55	8.97	10.03	11.21	12.28	13.27	14.18	5.51	6.16	6.89	7.54	8.15	8.71
TRAE+	9	6.82	7.88	8.80	9.84	10.78	11.65	5.09	5.69	6.36	6.97	7.53	8.05	3.12	3.49	3.90	4.27	4.61	4.93
TRAE+	13	9.94	11.48	12.83	14.35	15.72	16.98	7.42	8.30	9.28	10.16	10.97	11.73	4.55	5.09	5.69	6.23	6.73	7.19
TRAE+	14	11.1	12.82	14.33	16.02	17.55	18.96	8.28	9.26	10.35	11.34	12.25	13.09	5.08	5.68	6.35	6.96	7.51	8.03
TRAE+	22	16.82	19.42	21.71	24.28	26.59	28.73	12.55	14.03	15.69	17.18	18.56	19.84	7.70	8.61	9.63	10.54	11.39	12.17
TRAE+	30	23.12	26.70	29.85	33.37	36.56	39.48	17.25	19.29	21.56	23.62	25.51	27.27	10.59	11.84	13.24	14.50	15.66	16.74
TRAE	40	31.21	36.04	40.29	45.05	49.35	53.30	23.29	26.04	29.11	31.89	34.45	36.82	14.29	15.98	17.86	19.57	21.14	22.59
TRAE	45	34.04	39.31	43.95	49.13	53.82	58.13	25.40	28.40	31.75	34.78	37.57	40.16	15.59	17.43	19.49	21.35	23.06	24.65
TRAE	50	40.52	46.79	52.31	58.49	64.07	69.20	30.23	33.80	37.79	41.39	44.71	47.80	18.55	20.74	23.19	25.40	27.44	29.33
TJR	11	8.50	9.81	10.97	12.27	13.44	14.52	6.34	7.09	7.93	8.68	9.38	10.02	3.89	4.35	4.86	5.33	5.75	6.15
TJR	13	10.17	11.74	13.13	14.68	16.08	17.37	7.59	8.49	9.49	10.39	11.23	12.00	4.66	5.21	5.83	6.38	6.89	7.37
TER	16	12.72	14.69	16.42	18.36	20.11	21.72	9.49	10.61	11.86	12.99	14.04	15.01	5.82	6.51	7.28	7.97	8.61	9.20
TER	19	15.03	17.36	19.40	21.69	23.76	25.67	11.21	12.53	14.01	15.35	16.58	17.72	6.88	7.69	8.60	9.42	10.18	10.88
TER	25	20.23	23.36	26.12	29.20	31.99	34.55	15.09	16.87	18.86	20.66	22.32	23.86	9.26	10.35	11.58	12.68	13.70	14.64
TER	31	26.01	30.03	33.58	37.54	41.13	44.42	19.41	21.70	24.26	26.58	28.71	30.69	11.91	13.32	14.89	16.31	17.62	18.83
TIR	45	31.79	36.71	41.04	45.88	50.26	54.29	23.72	26.52	29.65	32.48	35.08	37.50	14.56	16.28	18.20	19.94	21.53	23.02
THR	55	40.46	46.72	52.23	58.40	63.97	69.10	30.19	33.75	37.74	41.34	44.65	47.73	18.53	20.72	23.16	25.37	27.41	29.30
THR	68	49.13	56.73	63.43	70.91	77.68	83.91	36.66	40.99	45.83	50.20	54.22	57.96	22.50	25.16	28.13	30.81	33.28	35.58
TMR	68	57.80	66.74	74.62	83.43	91.39	98.71	43.12	48.21	53.90	59.04	63.78	68.18	26.47	29.59	33.09	36.25	39.15	41.85

REFRIGERANT LIQUID TEMPERATURE VALVE CAPACITY MULTIPLIER CORRECTION FACTORS

	REFRIGERANT LIQUID TEMPERATURE °F														
	0	10	20	30	40	50	60	70	80	90	100	110	120	130	140
R-12	1.60	1.54	1.48	1.42	1.36	1.30	1.24	1.18	1.12	1.06	1.00	0.94	0.88	0.82	0.75
R-134a	1.70	1.63	1.56	1.49	1.42	1.36	1.29	1.21	1.14	1.07	1.00	0.93	0.85	0.78	0.71
R-22	1.56	1.51	1.45	1.40	1.34	1.29	1.23	1.17	1.12	1.06	1.00	0.94	0.88	0.82	0.76
R-404A/R-507	2.00	1.90	1.80	1.70	1.60	1.50	1.40	1.30	1.20	1.10	1.00	0.90	0.80	0.70	0.50
R-450A/R-513A	1.73	1.65	1.58	1.51	1.44	1.36	1.29	1.22	1.15	1.07	1.00	0.93	0.85	0.78	0.70
R-448A/R-449A	1.71	1.64	1.57	1.50	1.43	1.36	1.29	1.22	1.15	1.07	1.00	0.92	0.85	0.77	0.69

These factors include corrections for liquid refrigerant density and net refrigerating effect and are based on an average evaporator temperature of 0°F. However, they may be used for any evaporator temperature from -40°F to +40°F since the variation in the actual factors across this range is insignificant.

R-290 BALANCED PORTED VALVES (TONS) B SERIES AND H SERIES

VALVE TYPE	NOMINAL RATING	EVAPORATOR TEMPERATURE																	
		50°F					40°F					20°F							
		PRESSURE DROP ACROSS VALVE (PSI)					PRESSURE DROP ACROSS VALVE (PSI)					PRESSURE DROP ACROSS VALVE (PSI)							
		60	80	100	125	150	175	60	80	100	125	150	175	60	80	100	125	150	175
BA/BN	1/2	0.36	0.42	0.47	0.53	0.58	0.62	0.36	0.41	0.46	0.52	0.56	0.61	0.34	0.39	0.44	0.49	0.54	0.58
BA/BN	3/4	0.69	0.80	0.89	1.00	1.10	1.18	0.68	0.78	0.88	0.98	1.07	1.16	0.65	0.75	0.84	0.94	1.03	1.11
BA/BN	1-1/4	1.08	1.25	1.39	1.56	1.71	1.84	1.06	1.22	1.36	1.53	1.67	1.81	1.01	1.17	1.30	1.46	1.60	1.73
BA/BN	1-3/4	1.44	1.67	1.87	2.09	2.28	2.47	1.41	1.63	1.83	2.04	2.24	2.42	1.35	1.56	1.75	1.95	2.14	2.31
BA/BN	2-1/4	1.82	2.11	2.35	2.63	2.88	3.12	1.79	2.06	2.31	2.58	2.82	3.05	1.71	1.97	2.20	2.46	2.70	2.92
BA/BN	2-3/4	2.21	2.55	2.85	3.19	3.50	3.78	2.16	2.50	2.79	3.12	3.42	3.70	2.07	2.39	2.67	2.99	3.27	3.53
BA/BN	3-1/2	2.86	3.30	3.69	4.13	4.52	4.88	2.80	3.23	3.62	4.04	4.43	4.78	2.68	3.09	3.46	3.86	4.23	4.57
BA/BN	4-1/2	3.63	4.19	4.68	5.23	5.73	6.19	3.55	4.10	4.58	5.12	5.61	6.06	3.39	3.92	4.38	4.90	5.37	5.80
BA/BN	5-3/4	4.50	5.20	5.81	6.50	7.12	7.69	4.41	5.09	5.69	6.36	6.97	7.53	4.21	4.87	5.44	6.08	6.66	7.20
HF	1/4	0.20	0.24	0.26	0.29	0.32	0.35	0.20	0.23	0.26	0.29	0.32	0.34	0.19	0.22	0.25	0.28	0.30	0.33
HF	1/2	0.39	0.45	0.50	0.56	0.61	0.66	0.38	0.44	0.49	0.55	0.60	0.65	0.36	0.42	0.47	0.52	0.57	0.62
HF	3/4	0.69	0.80	0.89	1.00	1.10	1.18	0.68	0.78	0.88	0.98	1.07	1.16	0.65	0.75	0.84	0.94	1.03	1.11
HF	1	1.06	1.22	1.37	1.53	1.67	1.81	1.04	1.20	1.34	1.50	1.64	1.77	0.99	1.14	1.28	1.43	1.57	1.69
HF	1-1/2	1.43	1.65	1.85	2.06	2.26	2.44	1.40	1.62	1.81	2.02	2.21	2.39	1.34	1.55	1.73	1.93	2.12	2.29
HF	2	1.83	2.11	2.36	2.64	2.90	3.13	1.79	2.07	2.31	2.59	2.84	3.06	1.71	1.98	2.21	2.47	2.71	2.93
HF	2-1/2	2.42	2.79	3.12	3.49	3.82	4.12	2.36	2.73	3.05	3.41	3.74	4.04	2.26	2.61	2.92	3.26	3.57	3.86
HF	4-1/2	4.30	4.96	5.55	6.20	6.80	7.34	4.21	4.86	5.43	6.07	6.65	7.19	4.02	4.64	5.19	5.81	6.36	6.87
HF	6-1/2	5.98	6.90	7.71	8.63	9.45	10.21	5.85	6.76	7.55	8.45	9.25	9.99	5.59	6.46	7.22	8.07	8.84	9.55
HF	8	7.59	8.76	9.80	10.95	12.00	12.96	7.43	8.58	9.59	10.72	11.75	12.69	7.10	8.20	9.17	10.25	11.23	12.13
HF	12	11.24	12.97	14.51	16.22	17.77	19.19	11.00	12.70	14.20	15.88	17.40	18.79	10.52	12.14	13.58	15.18	16.63	17.96
HF	16	14.74	17.02	19.03	21.27	23.30	25.17	14.43	16.66	18.63	20.83	22.82	24.65	13.79	15.93	17.81	19.91	21.81	23.56

Standard capacity is rated at 100F liquid inlet and 40°F evaporator temperature; with 100 psi pressure drop across the TXV.

VALVE TYPE	NOMINAL RATING	EVAPORATOR TEMPERATURE																	
		0°F						-20°F						-40°F					
		PRESSURE DROP ACROSS VALVE (PSI)						PRESSURE DROP ACROSS VALVE (PSI)						PRESSURE DROP ACROSS VALVE (PSI)					
		60	80	100	125	150	175	80	100	125	150	175	200	80	100	125	150	175	200
BA/BN	1/2	0.28	0.32	0.36	0.40	0.44	0.47	0.22	0.25	0.28	0.31	0.33	0.35	0.15	0.17	0.19	0.20	0.22	0.24
BA/BN	3/4	0.53	0.61	0.68	0.76	0.83	0.90	0.42	0.48	0.53	0.58	0.63	0.67	0.28	0.32	0.36	0.39	0.42	0.45
BA/BN	1-1/4	0.82	0.95	1.06	1.19	1.30	1.40	0.66	0.74	0.83	0.91	0.98	1.05	0.44	0.50	0.55	0.61	0.66	0.70
BA/BN	1-3/4	1.10	1.27	1.42	1.59	1.74	1.88	0.89	0.99	1.11	1.21	1.31	1.40	0.59	0.66	0.74	0.81	0.88	0.94
BA/BN	2-1/4	1.39	1.60	1.79	2.00	2.20	2.37	1.12	1.25	1.40	1.53	1.65	1.77	0.75	0.84	0.94	1.02	1.11	1.18
BA/BN	2-3/4	1.68	1.94	2.17	2.43	2.66	2.87	1.36	1.52	1.69	1.86	2.00	2.14	0.91	1.01	1.13	1.24	1.34	1.43
BA/BN	3-1/2	2.18	2.51	2.81	3.14	3.44	3.72	1.75	1.96	2.19	2.40	2.59	2.77	1.17	1.31	1.47	1.61	1.74	1.86
BA/BN	4-1/2	2.76	3.19	3.56	3.98	4.37	4.72	2.22	2.49	2.78	3.04	3.29	3.52	1.49	1.66	1.86	2.04	2.20	2.35
BA/BN	5-3/4	3.43	3.96	4.42	4.95	5.42	5.85	2.76	3.09	3.45	3.78	4.08	4.36	1.85	2.07	2.31	2.53	2.73	2.92
HF	1/4	0.16	0.18	0.20	0.22	0.25	0.27	0.13	0.14	0.16	0.17	0.19	0.20	0.08	0.09	0.10	0.11	0.12	0.13
HF	1/2	0.29	0.34	0.38	0.42	0.47	0.50	0.24	0.27	0.30	0.32	0.35	0.37	0.16	0.18	0.20	0.22	0.23	0.25
HF	3/4	0.53	0.61	0.68	0.76	0.83	0.90	0.42	0.48	0.53	0.58	0.63	0.67	0.28	0.32	0.36	0.39	0.42	0.45
HF	1	0.81	0.93	1.04	1.16	1.27	1.38	0.65	0.73	0.81	0.89	0.96	1.03	0.43	0.49	0.54	0.59	0.64	0.69
HF	1-1/2	1.09	1.26	1.41	1.57	1.72	1.86	0.88	0.98	1.10	1.20	1.30	1.39	0.59	0.66	0.73	0.80	0.87	0.93
HF	2	1.39	1.61	1.80	2.01	2.20	2.38	1.12	1.26	1.40	1.54	1.66	1.78	0.75	0.84	0.94	1.03	1.11	1.19
HF	2-1/2	1.84	2.12	2.37	2.65	2.91	3.14	1.48	1.66	1.85	2.03	2.19	2.34	0.99	1.11	1.24	1.36	1.47	1.57
HF	4-1/2	3.27	3.78	4.22	4.72	5.17	5.59	2.63	2.95	3.29	3.61	3.90	4.17	1.76	1.97	2.20	2.41	2.61	2.79
HF	6-1/2	4.55	5.25	5.87	6.57	7.19	7.77	3.66	4.10	4.58	5.02	5.42	5.79	2.45	2.74	3.07	3.36	3.63	3.88
HF	8	5.78	6.67	7.46	8.34	9.13	9.87	4.65	5.20	5.82	6.37	6.88	7.36	3.11	3.48	3.89	4.26	4.61	4.92
HF	12	8.55	9.88	11.04	12.35	13.53	14.61	6.89	7.70	8.61	9.43	10.19	10.89	4.61	5.16	5.76	6.31	6.82	7.29
HF	16	11.22	12.96	14.49	16.20	17.74	19.16	9.04	10.10	11.29	12.37	13.36	14.29	6.05	6.76	7.56	8.28	8.95	9.56

REFRIGERANT LIQUID TEMPERATURE VALVE CAPACITY MULTIPLIER CORRECTION FACTORS

	REFRIGERANT LIQUID TEMPERATURE °F														
	0	10	20	30	40	50	60	70	80	90	100	110	120	130	140
R-290	1.70	1.63	1.56	1.49	1.42	1.36	1.29	1.22	1.14	1.07	1.00	0.93	0.85	0.78	0.70

These factors include corrections for liquid refrigerant density and net refrigerating effect and are based on an average evaporator temperature of 0°F. However, they may be used for any evaporator temperature from -40°F to +40°F since the variation in the actual factors across this range is insignificant.

TXV EXTENDED CAPACITY TABLES

R-404A / R-507 BALANCED PORTED

R-404A/R-507 BALANCED PORTED VALVES (TONS) B / HF / TFE / TRAE / T SERIES

VALVE TYPE	NOMINAL RATING	EVAPORATOR TEMPERATURE																	
		0°F						-20°F						-40°F					
		PRESSURE DROP ACROSS VALVE (PSI)						PRESSURE DROP ACROSS VALVE (PSI)						PRESSURE DROP ACROSS VALVE (PSI)					
		60	80	100	125	150	175	80	100	125	150	175	200	80	100	125	150	175	200
BA/BN	1/2	0.29	0.33	0.37	0.42	0.46	0.50	0.22	0.25	0.28	0.30	0.33	0.35	0.13	0.15	0.16	0.18	0.19	0.21
BA/BN	3/4	0.55	0.64	0.71	0.79	0.87	0.94	0.41	0.46	0.51	0.56	0.61	0.65	0.25	0.28	0.31	0.34	0.37	0.40
BA/BN	1	0.86	0.99	1.11	1.24	1.36	1.47	0.64	0.72	0.80	0.88	0.95	1.01	0.39	0.44	0.49	0.53	0.58	0.62
BA/BN	1-1/2	1.14	1.32	1.47	1.65	1.80	1.95	0.85	0.95	1.06	1.16	1.26	1.34	0.52	0.58	0.65	0.71	0.77	0.82
BA/BN	2	1.44	1.66	1.86	2.08	2.28	2.46	1.08	1.21	1.35	1.48	1.60	1.71	0.66	0.74	0.83	0.90	0.98	1.04
BA/BN	2-1/4	1.75	2.02	2.26	2.53	2.77	2.99	1.31	1.46	1.64	1.79	1.94	2.07	0.80	0.89	1.00	1.10	1.18	1.26
BA/BN	3	2.27	2.62	2.93	3.28	3.59	3.88	1.69	1.89	2.11	2.31	2.50	2.67	1.04	1.16	1.30	1.42	1.54	1.64
BA/BN	3-1/2	2.87	3.31	3.71	4.14	4.54	4.90	2.14	2.39	2.68	2.93	3.17	3.38	1.31	1.46	1.64	1.79	1.94	2.07
BA/BN	4-1/4	3.57	4.12	4.61	5.15	5.64	6.10	2.66	2.97	3.33	3.64	3.93	4.21	1.63	1.82	2.04	2.23	2.41	2.58
HF	1/4	0.16	0.18	0.21	0.23	0.25	0.27	0.12	0.13	0.15	0.16	0.18	0.19	0.07	0.08	0.09	0.10	0.10	0.11
HF	1/2	0.31	0.36	0.40	0.45	0.49	0.53	0.23	0.26	0.29	0.31	0.34	0.36	0.14	0.16	0.18	0.19	0.21	0.22
HF	3/4	0.55	0.64	0.71	0.79	0.87	0.94	0.41	0.46	0.51	0.56	0.61	0.65	0.25	0.28	0.31	0.34	0.37	0.40
HF	1	0.84	0.97	1.08	1.21	1.33	1.43	0.63	0.70	0.79	0.86	0.93	1.00	0.38	0.42	0.48	0.52	0.56	0.60
HF	1-1/2	1.13	1.30	1.46	1.63	1.79	1.93	0.84	0.94	1.05	1.15	1.24	1.33	0.52	0.58	0.65	0.71	0.77	0.82
HF	1-3/4	1.44	1.66	1.86	2.08	2.28	2.46	1.08	1.21	1.35	1.48	1.60	1.71	0.66	0.74	0.83	0.90	0.98	1.04
HF	2-1/2	1.91	2.21	2.47	2.76	3.02	3.26	1.42	1.59	1.78	1.94	2.10	2.25	0.87	0.97	1.09	1.19	1.29	1.38
HF	4	3.39	3.91	4.38	4.89	5.36	5.79	2.53	2.83	3.16	3.46	3.74	4.00	1.55	1.73	1.94	2.12	2.29	2.45
HF	6	4.72	5.45	6.09	6.81	7.46	8.06	3.52	3.94	4.40	4.82	5.21	5.57	2.16	2.41	2.70	2.96	3.19	3.42
HF	7-1/2	5.98	6.91	7.72	8.63	9.46	10.21	4.46	4.99	5.58	6.11	6.60	7.05	2.74	3.06	3.43	3.75	4.05	4.33
HF	11	8.87	10.24	11.45	12.80	14.02	15.15	6.62	7.40	8.28	9.06	9.79	10.47	4.06	4.54	5.08	5.56	6.00	6.42
HF	14	11.67	13.48	15.07	16.84	18.45	19.93	8.71	9.74	10.89	11.93	12.88	13.77	5.34	5.97	6.68	7.31	7.90	8.44
TFE	6	4.64	5.36	5.99	6.70	7.34	7.92	3.46	3.87	4.33	4.74	5.12	5.47	2.12	2.37	2.65	2.90	3.14	3.35
TFE	8	6.35	7.33	8.20	9.17	10.04	10.84	4.74	5.30	5.93	6.49	7.01	7.49	2.91	3.25	3.64	3.98	4.30	4.60
TFE	10	7.88	9.10	10.17	11.37	12.46	13.46	5.88	6.57	7.35	8.05	8.70	9.30	3.61	4.04	4.51	4.94	5.34	5.71
TFE	15	12.03	13.89	15.53	17.36	19.02	20.55	8.97	10.03	11.21	12.28	13.27	14.18	5.51	6.16	6.89	7.54	8.15	8.71
TRAE+	9	6.82	7.88	8.80	9.84	10.78	11.65	5.09	5.69	6.36	6.97	7.53	8.05	3.12	3.49	3.90	4.27	4.61	4.93
TRAE+	13	9.94	11.48	12.83	14.35	15.72	16.98	7.42	8.30	9.28	10.16	10.97	11.73	4.55	5.09	5.69	6.23	6.73	7.19
TRAE+	14	11.1	12.82	14.33	16.02	17.55	18.96	8.28	9.26	10.35	11.34	12.25	13.09	5.08	5.68	6.35	6.96	7.51	8.03
TRAE+	22	16.82	19.42	21.71	24.28	26.59	28.73	12.55	14.03	15.69	17.18	18.56	19.84	7.70	8.61	9.63	10.54	11.39	12.17
TRAE+	30	23.12	26.70	29.85	33.37	36.56	39.48	17.25	19.29	21.56	23.62	25.51	27.27	10.59	11.84	13.24	14.50	15.66	16.74
TRAE	40	31.21	36.04	40.29	45.05	49.35	53.30	23.29	26.04	29.11	31.89	34.45	36.82	14.29	15.98	17.86	19.57	21.14	22.59
TRAE	45	34.04	39.31	43.95	49.13	53.82	58.13	25.40	28.40	31.75	34.78	37.57	40.16	15.59	17.43	19.49	21.35	23.06	24.65
TRAE	50	40.52	46.79	52.31	58.49	64.07	69.20	30.23	33.80	37.79	41.39	44.71	47.80	18.55	20.74	23.19	25.40	27.44	29.33
TJR	11	8.50	9.81	10.97	12.27	13.44	14.52	6.34	7.09	7.93	8.68	9.38	10.02	3.89	4.35	4.86	5.33	5.75	6.15
TJR	13	10.17	11.74	13.13	14.68	16.08	17.37	7.59	8.49	9.49	10.39	11.23	12.00	4.66	5.21	5.83	6.38	6.89	7.37
TER	16	12.72	14.69	16.42	18.36	20.11	21.72	9.49	10.61	11.86	12.99	14.04	15.01	5.82	6.51	7.28	7.97	8.61	9.20
TER	19	15.03	17.36	19.40	21.69	23.76	25.67	11.21	12.53	14.01	15.35	16.58	17.72	6.88	7.69	8.60	9.42	10.18	10.88
TER	25	20.23	23.36	26.12	29.20	31.99	34.55	15.09	16.87	18.86	20.66	22.32	23.86	9.26	10.35	11.58	12.68	13.70	14.64
TER	31	26.01	30.03	33.58	37.54	41.13	44.42	19.41	21.70	24.26	26.58	28.71	30.69	11.91	13.32	14.89	16.31	17.62	18.83
TIR	45	31.79	36.71	41.04	45.88	50.26	54.29	23.72	26.52	29.65	32.48	35.08	37.50	14.56	16.28	18.20	19.94	21.53	23.02
THR	55	40.46	46.72	52.23	58.40	63.97	69.10	30.19	33.75	37.74	41.34	44.65	47.73	18.53	20.72	23.16	25.37	27.41	29.30
THR	68	49.13	56.73	63.43	70.91	77.68	83.91	36.66	40.99	45.83	50.20	54.22	57.96	22.50	25.16	28.13	30.81	33.28	35.58
TMR	68	57.80	66.74	74.62	83.43	91.39	98.71	43.12	48.21	53.90	59.04	63.78	68.18	26.47	29.59	33.09	36.25	39.15	41.85

Note: Standard capacity is rated at 100F liquid inlet and 40F evaporator temperature; with 100 Psi pressure drop across the TXV per ARI 750-2001.

R-404A/R-507 BALANCED PORTED VALVES (TONS) B | HF | TFE | TRAE | T SERIES (CONTINUED)

VALVE TYPE	NOMINAL RATING	EVAPORATOR TEMPERATURE																	
		0°F						-20°F						-40°F					
		PRESSURE DROP ACROSS VALVE (PSI)						PRESSURE DROP ACROSS VALVE (PSI)						PRESSURE DROP ACROSS VALVE (PSI)					
		60	80	100	125	150	175	80	100	125	150	175	200	80	100	125	150	175	200
BA/BN	1/4	0.24	0.28	0.31	0.35	0.38	0.41	0.19	0.21	0.24	0.26	0.28	0.30	0.12	0.13	0.15	0.16	0.18	0.19
BA/BN	1/2	0.45	0.52	0.58	0.65	0.71	0.77	0.36	0.40	0.45	0.49	0.53	0.57	0.23	0.26	0.29	0.31	0.34	0.36
BA/BN	1	0.71	0.82	0.92	1.02	1.12	1.21	0.55	0.61	0.69	0.75	0.81	0.87	0.36	0.40	0.45	0.49	0.53	0.57
BA/BN	1-1/4	0.94	1.09	1.21	1.36	1.49	1.61	0.74	0.83	0.93	1.01	1.09	1.17	0.48	0.54	0.60	0.66	0.71	0.76
BA/BN	1-1/2	1.19	1.37	1.54	1.72	1.88	2.03	0.93	1.04	1.16	1.27	1.38	1.47	0.61	0.68	0.76	0.84	0.90	0.96
BA/BN	2	1.44	1.66	1.86	2.08	2.28	2.46	1.13	1.26	1.41	1.55	1.67	1.79	0.74	0.83	0.93	1.01	1.09	1.17
BA/BN	2-1/2	1.87	2.16	2.41	2.70	2.96	3.19	1.47	1.64	1.84	2.01	2.17	2.32	0.96	1.07	1.20	1.31	1.42	1.52
BA/BN	3	2.36	2.73	3.05	3.41	3.73	4.03	1.85	2.07	2.31	2.53	2.74	2.93	1.21	1.35	1.51	1.66	1.79	1.91
BA/BN	4	2.94	3.39	3.80	4.24	4.65	5.02	2.31	2.58	2.89	3.16	3.42	3.65	1.51	1.69	1.89	2.07	2.23	2.39
HF	1/8	0.13	0.15	0.17	0.19	0.21	0.22	0.10	0.11	0.13	0.14	0.15	0.16	0.07	0.08	0.09	0.10	0.10	0.11
HF	1/4	0.25	0.29	0.32	0.36	0.40	0.43	0.20	0.22	0.25	0.27	0.30	0.32	0.13	0.15	0.16	0.18	0.19	0.21
HF	1/2	0.45	0.52	0.58	0.65	0.71	0.77	0.36	0.40	0.45	0.49	0.53	0.57	0.23	0.26	0.29	0.31	0.34	0.36
HF	1	0.69	0.80	0.89	1.00	1.09	1.18	0.54	0.60	0.68	0.74	0.80	0.85	0.35	0.39	0.44	0.48	0.52	0.55
HF	1-1/4	0.93	1.07	1.20	1.34	1.47	1.59	0.73	0.82	0.91	1.00	1.08	1.15	0.48	0.54	0.60	0.66	0.71	0.76
HF	1-1/2	1.19	1.37	1.54	1.72	1.88	2.03	0.93	1.04	1.16	1.27	1.38	1.47	0.61	0.68	0.76	0.84	0.90	0.96
HF	2	1.57	1.81	2.03	2.27	2.48	2.68	1.23	1.38	1.54	1.68	1.82	1.94	0.81	0.91	1.01	1.11	1.20	1.28
HF	3-1/2	2.80	3.23	3.61	4.04	4.43	4.78	2.19	2.45	2.74	3.00	3.24	3.46	1.43	1.60	1.79	1.96	2.11	2.26
HF	5	3.89	4.49	5.02	5.61	6.15	6.64	3.05	3.41	3.81	4.18	4.51	4.82	2.00	2.24	2.50	2.74	2.96	3.16
HF	7	4.93	5.69	6.36	7.12	7.80	8.42	3.87	4.33	4.84	5.30	5.72	6.12	2.53	2.83	3.16	3.46	3.74	4.00
HF	10	7.31	8.44	9.44	10.55	11.56	12.48	5.73	6.41	7.16	7.85	8.47	9.06	3.75	4.19	4.69	5.13	5.55	5.93
HF	13	9.62	11.11	12.42	13.89	15.21	16.43	7.55	8.44	9.44	10.34	11.17	11.94	4.93	5.51	6.16	6.75	7.29	7.80
TFE	5	3.82	4.41	4.93	5.51	6.04	6.52	3.00	3.35	3.75	4.11	4.44	4.74	1.96	2.19	2.45	2.68	2.90	3.10
TFE	7	5.23	6.04	6.75	7.55	8.27	8.93	4.10	4.58	5.13	5.61	6.06	6.48	2.68	3.00	3.35	3.67	3.96	4.24
TFE	9	6.50	7.51	8.39	9.38	10.28	11.10	5.10	5.70	6.38	6.98	7.54	8.06	3.33	3.72	4.16	4.56	4.93	5.27
TFE	14	9.92	11.45	12.81	14.32	15.68	16.94	7.78	8.70	9.73	10.65	11.51	12.30	5.08	5.68	6.35	6.96	7.51	8.03
TRAE+	8	5.62	6.49	7.26	8.11	8.89	9.60	4.41	4.93	5.51	6.04	6.52	6.97	2.88	3.22	3.60	3.94	4.26	4.55
TRAE+	12	8.20	9.47	10.59	11.84	12.97	14.00	6.43	7.19	8.04	8.80	9.51	10.17	4.20	4.70	5.25	5.75	6.21	6.64
TRAE+	14	9.15	10.57	11.81	13.21	14.47	15.63	7.18	8.03	8.98	9.83	10.62	11.35	4.69	5.24	5.86	6.42	6.94	7.42
TRAE+	20	13.87	16.02	17.91	20.02	21.93	23.69	10.88	12.16	13.60	14.90	16.09	17.20	7.11	7.95	8.89	9.74	10.52	11.24
TRAE+	30	19.06	22.01	24.61	27.51	30.14	32.55	14.95	16.71	18.69	20.47	22.11	23.64	9.77	10.92	12.21	13.38	14.45	15.45
TRAE	35	25.73	29.71	33.22	37.14	40.68	43.94	20.19	22.57	25.24	27.65	29.86	31.92	13.19	14.75	16.49	18.06	19.51	20.86
TRAE	40	28.07	32.41	36.24	40.52	44.38	47.94	22.02	24.62	27.53	30.15	32.57	34.82	14.39	16.09	17.99	19.70	21.28	22.75
TRAE	50	33.41	38.58	43.13	48.22	52.83	57.06	26.20	29.29	32.75	35.88	38.75	41.43	17.13	19.15	21.41	23.46	25.34	27.08
TJR	9	7.01	8.09	9.05	10.12	11.08	11.97	5.50	6.15	6.88	7.53	8.13	8.70	3.59	4.01	4.49	4.92	5.31	5.68
TJR	12	8.39	9.69	10.83	12.11	13.27	14.33	6.58	7.36	8.23	9.01	9.73	10.40	4.30	4.81	5.38	5.89	6.36	6.80
TER	14	10.48	12.10	13.53	15.13	16.57	17.90	8.22	9.19	10.28	11.26	12.16	13.00	5.30	5.93	6.63	7.26	7.84	8.38
TER	16	12.39	14.31	16.00	17.88	19.59	21.16	9.72	10.87	12.15	13.31	14.38	15.37	6.35	7.10	7.94	8.70	9.39	10.04
TER	21	16.68	19.26	21.53	24.08	26.37	28.49	13.08	14.62	16.35	17.91	19.35	20.68	8.55	9.56	10.69	11.71	12.65	13.52
TER	27	21.45	24.77	27.69	30.96	33.92	36.63	16.82	18.81	21.03	23.03	24.88	26.59	11.00	12.30	13.75	15.06	16.27	17.39
TIR	37	26.21	30.26	33.84	37.83	41.44	44.76	20.56	22.99	25.70	28.15	30.41	32.51	13.44	15.03	16.80	18.40	19.88	21.25
THR	48	33.36	38.52	43.07	48.15	52.75	56.97	26.17	29.26	32.71	35.83	38.71	41.38	17.10	19.12	21.38	23.42	25.29	27.04
THR	60	40.51	46.78	52.30	58.47	64.05	69.18	31.77	35.52	39.71	43.50	46.99	50.23	20.77	23.22	25.96	28.44	30.72	32.84
TMR	60	47.66	55.03	61.53	68.79	75.36	81.39	37.38	41.79	46.73	51.18	55.29	59.10	24.43	27.31	30.54	33.45	36.13	38.63

REFRIGERANT LIQUID TEMPERATURE VALVE CAPACITY MULTIPLIER CORRECTION FACTORS

	REFRIGERANT LIQUID TEMPERATURE °F														
	0	10	20	30	40	50	60	70	80	90	100	110	120	130	140
R-12	1.60	1.54	1.48	1.42	1.36	1.30	1.24	1.18	1.12	1.06	1.00	0.94	0.88	0.82	0.75
R-134a	1.70	1.63	1.56	1.49	1.42	1.36	1.29	1.21	1.14	1.07	1.00	0.93	0.85	0.78	0.71
R-22	1.56	1.51	1.45	1.40	1.34	1.29	1.23	1.17	1.12	1.06	1.00	0.94	0.88	0.82	0.76
R-404A/R-507	2.00	1.90	1.80	1.70	1.60	1.50	1.40	1.30	1.20	1.10	1.00	0.90	0.80	0.70	0.50
R-450A/R-513A	1.73	1.65	1.58	1.51	1.44	1.36	1.29	1.22	1.15	1.07	1.00	0.93	0.85	0.78	0.70
R-448A/R-449A	1.71	1.64	1.57	1.50	1.43	1.36	1.29	1.22	1.15	1.07	1.00	0.92	0.85	0.77	0.69

These factors include corrections for liquid refrigerant density and net refrigerating effect and are based on an average evaporator temperature of 0°F. However, they may be used for any evaporator temperature from -40°F to +40°F since the variation in the actual factors across this range is insignificant.

R-407A BALANCE PORTED VALVES (TONS) B SERIES AND H SERIES

VALVE TYPE	NOMINAL RATING	EVAPORATOR TEMPERATURE																	
		50°F						40°F						20°F					
		PRESSURE DROP ACROSS VALVE (PSI)						PRESSURE DROP ACROSS VALVE (PSI)						PRESSURE DROP ACROSS VALVE (PSI)					
		60	80	100	125	150	175	60	80	100	125	150	175	60	80	100	125	150	175
BA/BN	1/2	0.39	0.45	0.51	0.57	0.62	0.67	0.39	0.45	0.50	0.56	0.61	0.66	0.37	0.43	0.48	0.54	0.59	0.63
BA/BN	1	0.75	0.86	0.96	1.08	1.18	1.27	0.73	0.85	0.95	1.06	1.16	1.25	0.71	0.81	0.91	1.02	1.12	1.21
BA/BN	1-1/2	1.16	1.34	1.50	1.68	1.84	1.98	1.14	1.32	1.47	1.65	1.81	1.95	1.10	1.27	1.42	1.59	1.74	1.88
BA/BN	2	1.55	1.79	2.01	2.24	2.46	2.65	1.53	1.76	1.97	2.21	2.42	2.61	1.47	1.70	1.90	2.12	2.33	2.51
BA/BN	2-1/2	1.96	2.27	2.53	2.83	3.10	3.35	1.93	2.23	2.49	2.78	3.05	3.29	1.86	2.14	2.40	2.68	2.94	3.17
BA/BN	3	2.38	2.75	3.07	3.43	3.76	4.06	2.34	2.70	3.02	3.37	3.70	3.99	2.25	2.60	2.91	3.25	3.56	3.84
BA/BN	4	3.08	3.55	3.97	4.44	4.87	5.26	3.02	3.49	3.91	4.37	4.78	5.17	2.91	3.36	3.76	4.20	4.60	4.97
BA/BN	5	3.90	4.51	5.04	5.63	6.17	6.66	3.84	4.43	4.95	5.54	6.06	6.55	3.69	4.26	4.77	5.33	5.84	6.30
BA/BN	6	4.84	5.59	6.25	6.99	7.66	8.27	4.76	5.50	6.15	6.87	7.53	8.13	4.58	5.29	5.92	6.61	7.25	7.83
HF	1/4	0.22	0.25	0.28	0.32	0.35	0.38	0.22	0.25	0.28	0.31	0.34	0.37	0.21	0.24	0.27	0.30	0.33	0.36
HF	1/2	0.42	0.48	0.54	0.60	0.66	0.71	0.41	0.47	0.53	0.59	0.65	0.70	0.39	0.45	0.51	0.57	0.62	0.67
HF	1	0.75	0.86	0.96	1.08	1.18	1.27	0.73	0.85	0.95	1.06	1.16	1.25	0.71	0.81	0.91	1.02	1.12	1.21
HF	1-1/2	1.14	1.31	1.47	1.64	1.80	1.94	1.12	1.29	1.44	1.62	1.77	1.91	1.08	1.24	1.39	1.55	1.70	1.84
HF	2	1.54	1.78	1.99	2.22	2.43	2.63	1.51	1.75	1.95	2.18	2.39	2.58	1.46	1.68	1.88	2.10	2.30	2.49
HF	2-1/2	1.97	2.28	2.54	2.84	3.12	3.37	1.94	2.24	2.50	2.80	3.06	3.31	1.86	2.15	2.41	2.69	2.95	3.18
HF	3	2.60	3.00	3.35	3.75	4.11	4.44	2.55	2.95	3.30	3.69	4.04	4.36	2.46	2.84	3.17	3.55	3.89	4.20
HF	6	4.62	5.34	5.97	6.67	7.31	7.90	4.55	5.25	5.87	6.56	7.19	7.76	4.37	5.05	5.65	6.31	6.92	7.47
HF	8	6.43	7.42	8.30	9.28	10.17	10.98	6.32	7.30	8.16	9.12	9.99	10.79	6.08	7.02	7.85	8.78	9.62	10.39
HF	10	8.16	9.43	10.54	11.78	12.91	13.94	8.03	9.27	10.36	11.58	12.69	13.71	7.72	8.92	9.97	11.15	12.21	13.19
HF	15	12.09	13.96	15.61	17.45	19.12	20.65	11.88	13.72	15.34	17.15	18.79	20.30	11.44	13.21	14.77	16.51	18.09	19.54
HF	20	15.86	18.31	20.47	22.89	25.07	27.08	15.59	18.00	20.12	22.50	24.65	26.62	15.00	17.32	19.37	21.66	23.72	25.62

Standard capacity is rated at 100°F liquid inlet and 40°F evaporator temperature; with 100 psi pressure drop across the TXV.

VALVE TYPE	NOMINAL RATING	EVAPORATOR TEMPERATURE																	
		0°F						-20°F						-40°F					
		PRESSURE DROP ACROSS VALVE (PSI)						PRESSURE DROP ACROSS VALVE (PSI)						PRESSURE DROP ACROSS VALVE (PSI)					
		60	80	100	125	150	175	80	100	125	150	175	200	80	100	125	150	175	200
BA/BN	1/2	0.34	0.39	0.44	0.49	0.54	0.58	0.26	0.29	0.33	0.36	0.39	0.41	0.17	0.19	0.21	0.23	0.25	0.27
BA/BN	1	0.65	0.74	0.83	0.93	1.02	1.10	0.50	0.55	0.62	0.68	0.73	0.78	0.32	0.36	0.40	0.44	0.47	0.51
BA/BN	1-1/2	1.01	1.16	1.30	1.45	1.59	1.72	0.77	0.86	0.96	1.06	1.14	1.22	0.50	0.56	0.63	0.68	0.74	0.79
BA/BN	2	1.34	1.55	1.74	1.94	2.13	2.30	1.03	1.15	1.29	1.41	1.53	1.63	0.67	0.75	0.84	0.92	0.99	1.06
BA/BN	2-1/2	1.70	1.96	2.19	2.45	2.68	2.90	1.30	1.46	1.63	1.79	1.93	2.06	0.84	0.94	1.06	1.16	1.25	1.34
BA/BN	3	2.06	2.38	2.66	2.97	3.25	3.51	1.58	1.77	1.98	2.16	2.34	2.50	1.02	1.14	1.28	1.40	1.51	1.62
BA/BN	4	2.66	3.07	3.44	3.84	4.21	4.55	2.04	2.29	2.56	2.80	3.02	3.23	1.32	1.48	1.66	1.81	1.96	2.09
BA/BN	5	3.37	3.90	4.36	4.87	5.34	5.76	2.59	2.90	3.24	3.55	3.83	4.10	1.68	1.88	2.10	2.30	2.48	2.66
BA/BN	6	4.19	4.84	5.41	6.05	6.62	7.16	3.22	3.60	4.02	4.41	4.76	5.09	2.08	2.33	2.61	2.85	3.08	3.30
HF	1/4	0.19	0.22	0.25	0.27	0.30	0.32	0.15	0.16	0.18	0.20	0.22	0.23	0.09	0.10	0.12	0.13	0.14	0.15
HF	1/2	0.36	0.42	0.46	0.52	0.57	0.61	0.28	0.31	0.35	0.38	0.41	0.44	0.17	0.20	0.22	0.24	0.26	0.28
HF	1	0.65	0.74	0.83	0.93	1.02	1.10	0.50	0.55	0.62	0.68	0.73	0.78	0.31	0.35	0.39	0.43	0.46	0.50
HF	1-1/2	0.98	1.14	1.27	1.42	1.56	1.68	0.76	0.85	0.95	1.04	1.12	1.20	0.48	0.53	0.60	0.65	0.71	0.76
HF	2	1.33	1.54	1.72	1.92	2.10	2.27	1.02	1.14	1.28	1.40	1.51	1.62	0.65	0.72	0.81	0.89	0.96	1.02
HF	2-1/2	1.70	1.97	2.20	2.46	2.70	2.91	1.31	1.46	1.64	1.79	1.94	2.07	0.83	0.93	1.03	1.13	1.22	1.31
HF	3-1/2	2.25	2.60	2.90	3.24	3.55	3.84	1.73	1.93	2.16	2.36	2.55	2.73	1.09	1.22	1.36	1.50	1.61	1.73
HF	6	4.00	4.62	5.16	5.77	6.32	6.83	3.07	3.43	3.84	4.21	4.54	4.86	1.94	2.17	2.43	2.66	2.87	3.07
HF	8-1/2	5.56	6.42	7.18	8.03	8.79	9.50	4.27	4.78	5.34	5.85	6.32	6.75	2.70	3.02	3.38	3.70	4.00	4.27
HF	10-1/2	7.06	8.15	9.12	10.19	11.17	12.06	5.42	6.06	6.78	7.43	8.02	8.58	3.43	3.84	4.29	4.70	5.07	5.42
HF	16	10.46	12.08	13.50	15.09	16.54	17.86	8.03	8.98	10.04	11.00	11.88	12.70	5.08	5.68	6.35	6.96	7.51	8.03
HF	20	13.72	15.84	17.71	19.80	21.69	23.43	10.54	11.78	13.17	14.43	15.58	16.66	6.66	7.45	8.33	9.12	9.86	10.54

REFRIGERANT LIQUID TEMPERATURE CORRECTION FACTORS

	REFRIGERANT LIQUID TEMPERATURE °F														
	0	10	20	30	40	50	60	70	80	90	100	110	120	130	140
R-407A	1.78	1.70	1.63	1.55	1.47	1.40	1.32	1.24	1.16	1.08	1.00	0.92	0.83	0.75	0.66

These factors include corrections for liquid refrigerant density and net refrigerating effect and are based on an average evaporator temperature of 0°F. However, they may be used for any evaporator temperature from -40°F to +40°F since the variation in the actual factors across this range is insignificant.

R-407C BALANCED PORTED VALVES (TONS) B / HF/ TFE / TRAE / T SERIES

VALVE TYPE	NOMINAL RATING	EVAPORATOR TEMPERATURE																	
		50°F					40°F					20°F							
		PRESSURE DROP ACROSS VALVE (PSI)					PRESSURE DROP ACROSS VALVE (PSI)					PRESSURE DROP ACROSS VALVE (PSI)							
		60	80	100	125	150	175	60	80	100	125	150	175	60	80	100	125	150	175
BA/BN	1/2	0.38	0.44	0.49	0.55	0.60	0.65	0.37	0.43	0.48	0.53	0.59	0.63	0.36	0.42	0.46	0.52	0.57	0.61
BA/BN	1	0.72	0.83	0.93	1.04	1.14	1.23	0.70	0.81	0.90	1.01	1.11	1.20	0.68	0.79	0.88	0.98	1.08	1.16
BA/BN	1-1/2	1.12	1.29	1.45	1.62	1.77	1.91	1.10	1.27	1.42	1.59	1.74	1.88	1.05	1.21	1.36	1.52	1.66	1.79
BA/BN	2	1.49	1.72	1.92	2.15	2.36	2.54	1.47	1.70	1.90	2.12	2.32	2.51	1.41	1.63	1.82	2.04	2.23	2.41
BA/BN	2-1/2	1.88	2.17	2.43	2.71	2.97	3.21	1.85	2.14	2.39	2.67	2.93	3.16	1.78	2.06	2.30	2.57	2.81	3.04
BA/BN	3	2.28	2.63	2.94	3.29	3.60	3.89	2.24	2.59	2.89	3.23	3.54	3.83	2.15	2.48	2.78	3.10	3.40	3.67
BA/BN	4	2.96	3.42	3.82	4.27	4.68	5.06	2.90	3.35	3.74	4.19	4.59	4.95	2.79	3.22	3.60	4.03	4.41	4.76
BA/BN	5	3.74	4.32	4.83	5.40	5.91	6.39	3.67	4.24	4.74	5.30	5.80	6.27	3.52	4.06	4.54	5.08	5.57	6.01
BA/BN	6	4.65	5.37	6.00	6.71	7.35	7.94	4.57	5.28	5.90	6.60	7.23	7.80	4.38	5.06	5.65	6.32	6.93	7.48
HF	1/4	0.21	0.24	0.27	0.30	0.33	0.36	0.21	0.24	0.27	0.30	0.33	0.36	0.20	0.23	0.26	0.29	0.32	0.34
HF	1/2	0.40	0.46	0.52	0.58	0.63	0.68	0.39	0.45	0.50	0.56	0.62	0.67	0.38	0.44	0.49	0.55	0.60	0.65
HF	1	0.72	0.83	0.93	1.04	1.14	1.23	0.70	0.81	0.90	1.01	1.11	1.20	0.68	0.79	0.88	0.98	1.08	1.16
HF	1-1/2	1.09	1.26	1.41	1.57	1.72	1.86	1.07	1.24	1.38	1.54	1.69	1.83	1.03	1.19	1.33	1.49	1.63	1.76
HF	2	1.47	1.70	1.90	2.12	2.32	2.51	1.44	1.66	1.86	2.08	2.28	2.46	1.39	1.61	1.79	2.01	2.20	2.37
HF	2-1/2	1.88	2.17	2.43	2.71	2.97	3.21	1.85	2.14	2.39	2.67	2.93	3.16	1.78	2.06	2.30	2.57	2.81	3.04
HF	3	2.49	2.88	3.21	3.59	3.94	4.25	2.44	2.82	3.15	3.52	3.86	4.17	2.35	2.71	3.03	3.39	3.72	4.01
HF	5-1/2	4.43	5.12	5.72	6.39	7.00	7.57	4.34	5.01	5.60	6.26	6.86	7.41	4.17	4.82	5.38	6.02	6.59	7.12
HF	8	6.16	7.11	7.95	8.89	9.74	10.52	6.05	6.99	7.81	8.73	9.57	10.33	5.81	6.71	7.50	8.39	9.19	9.92
HF	10	7.80	9.01	10.07	11.26	12.33	13.32	7.65	8.83	9.88	11.04	12.10	13.06	7.35	8.49	9.49	10.61	11.62	12.55
HF	15	11.57	13.36	14.94	16.70	18.29	19.76	11.35	13.11	14.65	16.38	17.95	19.38	10.90	12.59	14.07	15.73	17.23	18.62
HF	20	15.22	17.57	19.65	21.97	24.06	25.99	14.94	17.25	19.29	21.56	23.62	25.51	14.35	16.57	18.53	20.71	22.69	24.51
TFE	8	6.05	6.99	7.81	8.73	9.57	10.33	5.94	6.86	7.67	8.57	9.39	10.14	5.70	6.58	7.36	8.23	9.01	9.73
TFE	10	8.28	9.56	10.69	11.95	13.09	14.14	8.13	9.39	10.50	11.73	12.85	13.88	7.80	9.01	10.07	11.26	12.33	13.32
TFE	12	10.28	11.87	13.27	14.84	16.25	17.56	10.09	11.65	13.03	14.56	15.95	17.23	9.69	11.19	12.51	13.99	15.32	16.55
TFE	20	15.69	18.12	20.26	22.65	24.81	26.80	15.40	17.78	19.88	22.23	24.35	26.30	14.79	17.08	19.09	21.35	23.39	25.26
TRAE+	10	8.90	10.28	11.49	12.85	14.07	15.20	8.73	10.08	11.27	12.60	13.80	14.91	8.39	9.69	10.83	12.11	13.27	14.33
TRAE+	15	12.97	14.98	16.74	18.72	20.51	22.15	12.73	14.70	16.43	18.37	20.13	21.74	12.22	14.11	15.78	17.64	19.32	20.87
TRAE+	20	14.48	16.72	18.69	20.90	22.89	24.73	14.21	16.41	18.35	20.51	22.47	24.27	13.64	15.75	17.61	19.69	21.57	23.29
TRAE+	30	21.94	25.33	28.32	31.67	34.69	37.47	21.45	24.77	27.69	30.96	33.92	36.63	20.68	23.88	26.70	29.85	32.70	35.32
TRAE+	40	30.16	34.83	38.94	43.53	47.69	51.51	29.60	34.18	38.21	42.72	46.80	50.55	28.43	32.83	36.70	41.04	44.95	48.55
TRAE	50	40.71	47.01	52.56	58.76	64.37	69.53	39.97	46.15	51.60	57.69	63.20	68.26	38.37	44.31	49.54	55.38	60.67	65.53
TRAE	60	44.41	51.28	57.33	64.10	70.22	75.84	43.59	50.33	56.27	62.92	68.92	74.44	41.86	48.34	54.04	60.42	66.19	71.49
TRAE	70	52.85	61.03	68.23	76.28	83.56	90.26	51.88	59.91	66.98	74.88	82.03	88.60	49.82	57.53	64.32	71.91	78.77	85.08
TJR	14	11.08	12.79	14.30	15.99	17.52	18.92	10.88	12.56	14.05	15.70	17.20	18.58	10.45	12.07	13.49	15.08	16.52	17.85
TJR	18	13.27	15.32	17.13	19.15	20.98	22.66	13.03	15.05	16.82	18.81	20.60	22.25	12.51	14.45	16.15	18.06	19.78	21.36
TER	22	16.59	19.16	21.42	23.95	26.23	28.33	16.28	18.80	21.02	23.50	25.74	27.80	15.63	18.05	20.18	22.56	24.71	26.69
TER	26	19.60	22.63	25.30	28.29	30.99	33.47	19.24	22.22	24.84	27.77	30.42	32.86	18.48	21.34	23.86	26.67	29.22	31.56
TER	35	26.39	30.47	34.07	38.09	41.73	45.07	25.90	29.91	33.44	37.38	40.95	44.23	24.87	28.72	32.11	35.90	39.32	42.47
TER	45	33.93	39.18	43.80	48.97	53.65	57.95	33.30	38.45	42.99	48.06	52.65	56.87	31.98	36.93	41.29	46.16	50.56	54.62
TIR	55	41.47	47.89	53.54	59.86	65.57	70.82	40.71	47.01	52.56	58.76	64.37	69.53	39.08	45.13	50.45	56.41	61.79	66.74
THR	75	52.78	60.95	68.14	76.18	83.45	90.14	51.81	59.83	66.89	74.78	81.92	88.48	49.74	57.43	64.21	71.79	78.65	84.95
THR	100	64.08	73.99	82.73	92.49	101.32	109.44	62.91	72.64	81.22	90.80	99.47	107.44	60.40	69.74	77.98	87.18	95.50	103.15
TMR	100	75.39	87.05	97.33	108.82	119.20	128.75	74.01	85.46	95.55	106.82	117.02	126.40	71.06	82.05	91.74	102.57	112.36	121.36

Standard capacity is rated at 100°F liquid inlet and 40°F evaporator temperature; with 100 psi pressure drop across the TXV per ARI 750-2001.

R-407C BALANCED PORTED VALVES (TONS) B | HF| TFE | TRAE | T SERIES (CONTINUED)

VALVE TYPE	NOMINAL RATING	EVAPORATOR TEMPERATURE																	
		0°F						-20°F						-40°F					
		PRESSURE DROP ACROSS VALVE (PSI)						PRESSURE DROP ACROSS VALVE (PSI)						PRESSURE DROP ACROSS VALVE (PSI)					
		60	80	100	125	150	175	80	100	125	150	175	200	80	100	125	150	175	200
BA/BN	1/2	0.30	0.35	0.39	0.43	0.47	0.51	0.23	0.26	0.29	0.31	0.34	0.36	0.14	0.16	0.18	0.19	0.21	0.22
BA/BN	1	0.57	0.66	0.74	0.82	0.90	0.97	0.43	0.48	0.54	0.59	0.64	0.68	0.27	0.30	0.34	0.37	0.40	0.43
BA/BN	1-1/2	0.89	1.03	1.15	1.28	1.41	1.52	0.68	0.76	0.85	0.93	1.01	1.08	0.43	0.48	0.54	0.59	0.64	0.68
BA/BN	2	1.19	1.37	1.54	1.72	1.88	2.03	0.90	1.01	1.13	1.23	1.33	1.42	0.57	0.64	0.71	0.78	0.84	0.90
BA/BN	2-1/2	1.50	1.73	1.94	2.17	2.37	2.56	1.14	1.27	1.43	1.56	1.69	1.80	0.72	0.80	0.90	0.99	1.06	1.14
BA/BN	3	1.82	2.10	2.35	2.63	2.88	3.11	1.38	1.54	1.73	1.89	2.04	2.18	0.87	0.97	1.09	1.19	1.29	1.38
BA/BN	4	2.35	2.71	3.03	3.39	3.72	4.01	1.79	2.00	2.24	2.45	2.65	2.83	1.13	1.26	1.41	1.55	1.67	1.79
BA/BN	5	2.98	3.44	3.85	4.30	4.71	5.09	2.27	2.54	2.84	3.11	3.36	3.59	1.43	1.60	1.79	1.96	2.11	2.26
BA/BN	6	3.70	4.27	4.78	5.34	5.85	6.32	2.82	3.15	3.53	3.86	4.17	4.46	1.77	1.98	2.21	2.42	2.62	2.80
HF	1/4	0.17	0.20	0.22	0.25	0.27	0.29	0.13	0.15	0.16	0.18	0.19	0.21	0.08	0.09	0.10	0.11	0.12	0.13
HF	1/2	0.32	0.37	0.41	0.46	0.51	0.55	0.24	0.27	0.30	0.33	0.35	0.38	0.15	0.17	0.19	0.21	0.22	0.24
HF	1	0.57	0.66	0.74	0.82	0.90	0.97	0.43	0.48	0.54	0.59	0.64	0.68	0.27	0.30	0.34	0.37	0.40	0.43
HF	1-1/2	0.87	1.00	1.12	1.26	1.38	1.49	0.66	0.74	0.83	0.90	0.98	1.04	0.42	0.47	0.53	0.58	0.62	0.66
HF	2	1.17	1.35	1.51	1.69	1.85	2.00	0.89	1.00	1.11	1.22	1.32	1.41	0.56	0.63	0.70	0.77	0.83	0.89
HF	2-1/2	1.50	1.73	1.94	2.17	2.37	2.56	1.14	1.27	1.43	1.56	1.69	1.80	0.72	0.80	0.90	0.99	1.06	1.14
HF	3	1.98	2.29	2.56	2.86	3.13	3.38	1.51	1.69	1.89	2.07	2.23	2.39	0.95	1.06	1.19	1.30	1.41	1.50
HF	5-1/2	3.52	4.06	4.54	5.08	5.57	6.01	2.68	3.00	3.35	3.67	3.96	4.24	1.69	1.89	2.11	2.31	2.50	2.67
HF	8	4.90	5.66	6.33	7.07	7.75	8.37	3.73	4.17	4.66	5.11	5.52	5.90	2.35	2.63	2.94	3.22	3.48	3.72
HF	10	6.20	7.16	8.00	8.95	9.80	10.59	4.72	5.28	5.90	6.46	6.98	7.46	2.97	3.32	3.71	4.07	4.39	4.70
HF	15	9.20	10.62	11.88	13.28	14.55	15.71	7.01	7.84	8.76	9.60	10.37	11.08	4.41	4.93	5.51	6.04	6.52	6.97
HF	20	12.11	13.98	15.63	17.48	19.15	20.68	9.22	10.31	11.53	12.63	13.64	14.58	5.81	6.50	7.26	7.96	8.59	9.19
TFE	8	4.81	5.55	6.21	6.94	7.61	8.21	3.66	4.09	4.58	5.01	5.41	5.79	2.31	2.58	2.89	3.16	3.42	3.65
TFE	10	6.59	7.61	8.51	9.51	10.42	11.25	5.02	5.61	6.28	6.87	7.42	7.94	3.16	3.53	3.95	4.33	4.67	5.00
TFE	12	8.18	9.45	10.56	11.81	12.93	13.97	6.23	6.97	7.79	8.53	9.21	9.85	3.92	4.38	4.90	5.37	5.80	6.20
TFE	20	12.49	14.42	16.12	18.03	19.75	21.33	9.51	10.63	11.89	13.02	14.07	15.04	5.98	6.69	7.48	8.19	8.84	9.46
TRAE+	10	7.08	8.18	9.14	10.22	11.19	12.09	5.39	6.03	6.74	7.38	7.97	8.52	3.39	3.79	4.24	4.64	5.01	5.36
TRAE+	15	10.32	11.92	13.32	14.90	16.32	17.62	7.86	8.79	9.83	10.76	11.63	12.43	4.95	5.53	6.19	6.78	7.32	7.83
TRAE+	20	11.52	13.30	14.87	16.63	18.21	19.67	8.77	9.81	10.96	12.01	12.97	13.87	5.52	6.17	6.90	7.56	8.16	8.73
TRAE+	30	17.46	20.16	22.54	25.20	27.61	29.82	13.30	14.87	16.63	18.21	19.67	21.03	8.37	9.36	10.46	11.46	12.38	13.23
TRAE+	40	24.00	27.71	30.98	34.64	37.95	40.99	18.28	20.44	22.85	25.03	27.04	28.90	11.50	12.86	14.38	15.75	17.01	18.18
TRAE	50	32.40	37.41	41.83	46.77	51.23	55.33	24.67	27.58	30.84	33.78	36.49	39.01	15.53	17.36	19.41	21.27	22.97	24.56
TRAE	60	35.34	40.81	45.62	51.01	55.88	60.35	26.91	30.09	33.64	36.85	39.80	42.55	16.94	18.94	21.18	23.20	25.05	26.78
TRAE	70	42.06	48.57	54.30	60.71	66.50	71.83	32.03	35.81	40.04	43.86	47.37	50.64	20.16	22.54	25.20	27.61	29.82	31.88
TJR	14	8.82	10.18	11.39	12.73	13.95	15.06	6.72	7.51	8.40	9.20	9.94	10.63	4.23	4.73	5.29	5.79	6.26	6.69
TJR	18	10.56	12.19	13.63	15.24	16.70	18.03	8.04	8.99	10.05	11.01	11.89	12.71	5.06	5.66	6.33	6.93	7.48	8.00
TER	22	13.20	15.24	17.04	19.05	20.87	22.54	10.05	11.24	12.56	13.76	14.86	15.89	6.33	7.08	7.91	8.67	9.36	10.01
TER	26	15.60	18.01	20.14	22.52	24.67	26.64	11.88	13.28	14.85	16.27	17.57	18.78	7.48	8.36	9.35	10.24	11.06	11.83
TER	35	21.00	24.25	27.11	30.31	33.20	35.86	15.99	17.88	19.99	21.90	23.65	25.28	10.06	11.25	12.58	13.78	14.88	15.91
TER	45	27.00	31.18	34.86	38.97	42.69	46.11	20.56	22.99	25.70	28.15	30.41	32.51	12.94	14.47	16.18	17.72	19.14	20.46
TIR	55	33.00	38.11	42.60	47.63	52.18	56.36	25.13	28.10	31.41	34.41	37.17	39.73	15.82	17.69	19.78	21.66	23.40	25.01
THR	75	42.00	48.50	54.22	60.62	66.41	71.73	31.98	35.75	39.98	43.79	47.30	50.56	20.13	22.51	25.16	27.56	29.77	31.83
THR	100	51.00	58.89	65.84	73.61	80.64	87.10	38.84	43.42	48.55	53.18	57.45	61.41	24.44	27.32	30.55	33.47	36.15	38.64
TMR	100	60.00	69.28	77.46	86.60	94.87	102.47	45.69	51.08	57.11	62.56	67.58	72.24	28.76	32.15	35.95	39.38	42.54	45.47

REFRIGERANT LIQUID TEMPERATURE VALVE CAPACITY MULTIPLIER CORRECTION FACTORS

	REFRIGERANT LIQUID TEMPERATURE °F														
	0	10	20	30	40	50	60	70	80	90	100	110	120	130	140
R-12	1.60	1.54	1.48	1.42	1.36	1.30	1.24	1.18	1.12	1.06	1.00	0.94	0.88	0.82	0.75
R-134a	1.70	1.63	1.56	1.49	1.42	1.36	1.29	1.21	1.14	1.07	1.00	0.93	0.85	0.78	0.71
R-22	1.56	1.51	1.45	1.40	1.34	1.29	1.23	1.17	1.12	1.06	1.00	0.94	0.88	0.82	0.76
R-404A/R-507	2.00	1.90	1.80	1.70	1.60	1.50	1.40	1.30	1.20	1.10	1.00	0.90	0.80	0.70	0.50
R-450A/R-513A	1.73	1.65	1.58	1.51	1.44	1.36	1.29	1.22	1.15	1.07	1.00	0.93	0.85	0.78	0.70
R-448A/R-449A	1.71	1.64	1.57	1.50	1.43	1.36	1.29	1.22	1.15	1.07	1.00	0.92	0.85	0.77	0.69

These factors include corrections for liquid refrigerant density and net refrigerating effect and are based on an average evaporator temperature of 0°F. However, they may be used for any evaporator temperature from -40°F to +40°F since the variation in the actual factors across this range is insignificant.

R-407H (TONS) BALANCE PORTED VALVES - B-SERIES AND H-SERIES

VALVE TYPE	NOMINAL RATING	EVAPORATOR TEMPERATURE																	
		50°F						40°F						20°F					
		PRESSURE DROP ACROSS VALVE (PSI)						PRESSURE DROP ACROSS VALVE (PSI)						PRESSURE DROP ACROSS VALVE (PSI)					
		60	80	100	125	150	175	60	80	100	125	150	175	60	80	100	125	150	175
BA/BN	1/2	0.46	0.54	0.60	0.67	0.73	0.79	0.46	0.53	0.59	0.66	0.72	0.78	0.44	0.51	0.57	0.64	0.70	0.76
BA/BN	1	0.88	1.02	1.14	1.27	1.39	1.50	0.87	1.00	1.12	1.25	1.37	1.48	0.84	0.97	1.09	1.22	1.33	1.44
BA/BN	1-3/4	1.37	1.58	1.77	1.98	2.17	2.34	1.35	1.56	1.75	1.95	2.14	2.31	1.31	1.52	1.69	1.89	2.08	2.24
BA/BN	2	1.84	2.12	2.37	2.65	2.90	3.14	1.81	2.09	2.34	2.61	2.86	3.09	1.76	2.03	2.27	2.53	2.78	3.00
BA/BN	3	2.32	2.68	2.99	3.35	3.67	3.96	2.29	2.64	2.95	3.30	3.61	3.90	2.22	2.56	2.86	3.20	3.51	3.79
BA/BN	3-1/2	2.81	3.24	3.63	4.06	4.44	4.80	2.77	3.20	3.58	4.00	4.38	4.73	2.69	3.10	3.47	3.88	4.25	4.59
BA/BN	4-1/2	3.63	4.20	4.69	5.25	5.75	6.21	3.58	4.14	4.63	5.17	5.67	6.12	3.48	4.01	4.49	5.02	5.50	5.94
BA/BN	6	4.61	5.32	5.95	6.65	7.29	7.87	4.55	5.25	5.87	6.56	7.19	7.76	4.41	5.09	5.69	6.36	6.97	7.53
BA/BN	7-1/2	5.72	6.61	7.39	8.26	9.05	9.77	5.64	6.52	7.28	8.14	8.92	9.64	5.47	6.32	7.06	7.90	8.65	9.34
HF	1/4	0.24	0.28	0.31	0.35	0.38	0.41	0.24	0.27	0.31	0.34	0.38	0.41	0.23	0.27	0.30	0.33	0.36	0.39
HF	1/2	0.46	0.53	0.59	0.66	0.72	0.78	0.45	0.52	0.58	0.65	0.71	0.77	0.44	0.50	0.56	0.63	0.69	0.75
HF	1	0.82	0.94	1.06	1.18	1.29	1.40	0.81	0.93	1.04	1.16	1.28	1.38	0.78	0.90	1.01	1.13	1.24	1.34
HF	1-1/2	1.25	1.44	1.61	1.80	1.97	2.13	1.23	1.42	1.59	1.78	1.95	2.10	1.19	1.38	1.54	1.72	1.89	2.04
HF	2	1.69	1.95	2.18	2.44	2.67	2.88	1.67	1.92	2.15	2.40	2.63	2.84	1.62	1.87	2.09	2.33	2.55	2.76
HF	2-3/4	2.16	2.50	2.79	3.12	3.42	3.69	2.13	2.46	2.75	3.08	3.37	3.64	2.07	2.39	2.67	2.99	3.27	3.53
HF	3-1/2	2.85	3.29	3.68	4.11	4.51	4.87	2.81	3.25	3.63	4.06	4.45	4.80	2.73	3.15	3.52	3.94	4.31	4.66
HF	6-1/2	5.07	5.86	6.55	7.32	8.02	8.66	5.00	5.78	6.46	7.22	7.91	8.55	4.85	5.60	6.27	7.01	7.67	8.29
HF	9	7.05	8.14	9.11	10.18	11.15	12.05	6.96	8.03	8.98	10.04	11.00	11.88	6.75	7.79	8.71	9.74	10.67	11.53
HF	11-1/2	8.96	10.34	11.56	12.93	14.16	15.30	8.83	10.20	11.41	12.75	13.97	15.09	8.57	9.90	11.06	12.37	13.55	14.64
HF	17	13.26	15.31	17.12	19.14	20.97	22.65	13.08	15.11	16.89	18.88	20.69	22.34	12.69	14.65	16.38	18.32	20.07	21.67
HF	22	17.40	20.09	22.46	25.11	27.51	29.71	17.16	19.81	22.15	24.77	27.13	29.31	16.65	19.22	21.49	24.03	26.32	28.43

Standard capacity is rated at 100°F liquid inlet and 40°F evaporator temperature; with 100 psi pressure drop across the TXV.

VALVE TYPE	NOMINAL RATING	EVAPORATOR TEMPERATURE																	
		0°F						-20°F						-40°F					
		PRESSURE DROP ACROSS VALVE (PSI)						PRESSURE DROP ACROSS VALVE (PSI)						PRESSURE DROP ACROSS VALVE (PSI)					
		60	80	100	125	150	175	80	100	125	150	175	200	80	100	125	150	175	200
BA/BN	1/2	0.40	0.46	0.51	0.57	0.62	0.67	0.31	0.34	0.38	0.42	0.45	0.48	0.19	0.22	0.24	0.27	0.29	0.31
BA/BN	1	0.75	0.87	0.97	1.08	1.19	1.28	0.58	0.65	0.72	0.79	0.86	0.92	0.37	0.41	0.46	0.50	0.55	0.58
BA/BN	1-3/4	1.17	1.35	1.51	1.69	1.85	2.00	0.90	1.01	1.13	1.24	1.34	1.43	0.57	0.64	0.72	0.79	0.85	0.91
BA/BN	2	1.56	1.81	2.02	2.26	2.47	2.67	1.21	1.35	1.51	1.65	1.79	1.91	0.77	0.86	0.96	1.05	1.14	1.21
BA/BN	3	1.98	2.28	2.55	2.85	3.12	3.37	1.53	1.71	1.91	2.09	2.26	2.41	0.97	1.08	1.21	1.33	1.43	1.53
BA/BN	3-1/2	2.39	2.77	3.09	3.46	3.79	4.09	1.85	2.07	2.31	2.53	2.73	2.92	1.18	1.31	1.47	1.61	1.74	1.86
BA/BN	4-1/2	3.10	3.58	4.00	4.47	4.90	5.29	2.39	2.67	2.99	3.27	3.54	3.78	1.52	1.70	1.90	2.08	2.25	2.40
BA/BN	6	3.93	4.54	5.07	5.67	6.21	6.71	3.03	3.39	3.79	4.15	4.48	4.79	1.93	2.16	2.41	2.64	2.85	3.05
BA/BN	7-1/2	4.88	5.63	6.30	7.04	7.71	8.33	3.76	4.21	4.70	5.15	5.57	5.95	2.39	2.68	2.99	3.28	3.54	3.79
HF	1/4	0.21	0.24	0.27	0.30	0.33	0.35	0.16	0.18	0.20	0.22	0.23	0.25	0.10	0.11	0.13	0.14	0.15	0.16
HF	1/2	0.39	0.45	0.50	0.56	0.62	0.67	0.30	0.34	0.38	0.41	0.44	0.48	0.19	0.21	0.24	0.26	0.28	0.30
HF	1	0.70	0.81	0.90	1.01	1.10	1.19	0.54	0.60	0.67	0.74	0.80	0.85	0.34	0.38	0.43	0.47	0.51	0.54
HF	1-1/2	1.07	1.23	1.38	1.54	1.68	1.82	0.82	0.92	1.03	1.13	1.22	1.30	0.52	0.59	0.65	0.72	0.77	0.83
HF	2	1.44	1.66	1.86	2.08	2.28	2.46	1.11	1.24	1.39	1.52	1.64	1.76	0.71	0.79	0.88	0.97	1.05	1.12
HF	2-3/4	1.84	2.13	2.38	2.66	2.92	3.15	1.42	1.59	1.78	1.95	2.11	2.25	0.91	1.01	1.13	1.24	1.34	1.43
HF	3-1/2	2.43	2.81	3.14	3.51	3.85	4.15	1.88	2.10	2.35	2.57	2.78	2.97	1.20	1.34	1.49	1.64	1.77	1.89
HF	6-1/2	4.33	5.00	5.59	6.25	6.84	7.39	3.34	3.74	4.18	4.58	4.94	5.28	2.13	2.38	2.66	2.91	3.15	3.36
HF	9	6.02	6.95	7.77	8.69	9.51	10.28	4.65	5.20	5.81	6.36	6.87	7.35	2.96	3.31	3.70	4.05	4.37	4.68
HF	11-1/2	7.64	8.82	9.87	11.03	12.08	13.05	5.90	6.60	7.38	8.08	8.73	9.33	3.76	4.20	4.69	5.14	5.55	5.94
HF	17	11.32	13.07	14.61	16.33	17.89	19.32	8.74	9.77	10.92	11.96	12.92	13.82	5.56	6.22	6.95	7.62	8.23	8.79
HF	22	14.84	17.14	19.16	21.42	23.47	25.35	11.46	12.81	14.33	15.69	16.95	18.12	7.29	8.16	9.12	9.99	10.79	11.53

REFRIGERANT LIQUID TEMPERATURE CORRECTION FACTORS

	REFRIGERANT LIQUID TEMPERATURE °F														
	0	10	20	30	40	50	60	70	80	90	100	110	120	130	140
R-407H	1.65	1.59	1.52	1.46	1.40	1.33	1.27	1.20	1.13	1.07	1.00	0.93	0.86	0.79	0.71

These factors include corrections for liquid refrigerant density and net refrigerating effect and are based on an average evaporator temperature of 0°F. However, they may be used for any evaporator temperature from -40°F to +40°F since the variation in the actual factors across this range is insignificant.

R-410A BALANCED PORTED VALVES (TONS) B SERIES

VALVE TYPE	NOMINAL RATING	EVAPORATOR TEMPERATURE																							
		50 °F								40 °F								20 °F							
		PRESSURE DROP ACROSS VALVE (PSI)								PRESSURE DROP ACROSS VALVE (PSI)								PRESSURE DROP ACROSS VALVE (PSI)							
		75	110	140	160	210	240	285	75	110	140	160	210	240	285	75	110	140	160	210	240	285			
BA/BN	1	0.8	1.0	1.1	1.2	1.3	1.4	1.6	0.8	1.0	1.1	1.2	1.3	1.4	1.5	0.8	0.9	1.1	1.1	1.3	1.4	1.5			
	1-1/2	1.3	1.6	1.8	1.9	2.2	1.4	1.6	1.3	1.6	1.7	1.9	2.1	2.3	2.5	1.3	1.5	1.7	1.8	2.1	2.2	2.4			
	2	1.8	2.2	2.5	2.6	3.0	3.2	3.5	1.8	2.2	2.4	2.6	3.0	3.2	3.5	1.7	2.1	2.4	2.6	2.9	3.1	3.4			
	3	2.3	2.8	3.1	3.3	3.8	4.1	4.5	2.3	2.8	3.1	3.3	3.8	4.1	4.4	2.2	2.7	3.0	3.2	3.7	4.0	4.3			
	3-1/2	3.0	3.6	4.0	4.3	5.0	5.3	5.8	2.9	3.6	4.0	4.3	4.9	5.3	5.7	2.9	3.5	3.9	4.2	4.8	5.1	5.6			
	4-1/2	4.1	5.0	5.6	6.0	6.9	7.4	8.0	4.1	5.0	5.6	6.0	6.9	7.3	8.0	4.0	4.9	5.5	5.9	6.7	7.2	7.8			
	6	5.1	6.1	6.9	7.4	8.5	9.0	9.9	5.0	6.1	6.8	7.3	8.4	9.0	9.8	4.9	5.9	6.7	7.2	8.2	8.8	9.6			
	7-1/2	6.2	7.5	8.5	9.1	10.4	11.1	12.1	6.2	7.5	8.4	9.0	10.3	11.0	12.0	6.0	7.3	8.2	8.8	10.1	10.8	11.8			

VALVE TYPE	NOMINAL RATING	EVAPORATOR TEMPERATURE																					
		0 °F							-20 °F							-40 °F							
		PRESSURE DROP ACROSS VALVE (PSI)							PRESSURE DROP ACROSS VALVE (PSI)							PRESSURE DROP ACROSS VALVE (PSI)							
		75	110	140	160	210	240	285	75	110	140	160	210	240	285	75	110	140	160	210	240	285	
BA/BN	1	0.8	0.9	1.0	1.1	1.3	1.4	1.5	0.7	0.9	1.0	1.1	1.2	1.3	1.4	0.7	0.9	1.0	1.0	1.2	1.3	1.4	
	1-1/2	1.2	1.5	1.7	1.8	2.0	2.2	2.4	1.2	1.4	1.6	1.7	2.0	2.1	2.3	1.1	1.4	1.6	1.7	1.9	2.0	2.2	
	2	1.7	2.1	2.3	2.5	2.8	3.0	3.3	1.6	2.0	2.3	2.4	2.8	3.0	3.2	1.6	1.9	2.2	2.3	2.7	2.8	3.1	
	3	2.2	2.6	3.0	3.2	3.6	3.9	4.2	2.1	2.5	2.9	3.1	3.5	3.8	4.1	2.0	2.5	2.8	3.0	3.4	3.6	3.9	
	3-1/2	2.8	3.4	3.8	4.1	4.7	5.0	5.5	2.7	3.3	3.7	4.0	4.5	4.8	5.3	2.6	3.2	3.6	3.8	4.4	4.7	5.1	
	4-1/2	3.9	4.7	5.3	5.7	6.5	7.0	7.6	3.8	4.6	5.2	5.5	6.3	6.8	7.4	3.6	4.4	5.0	5.3	6.1	6.5	7.1	
	6	4.8	5.8	6.5	7.0	8.0	8.5	9.3	4.6	5.6	6.3	6.8	7.7	8.3	9.0	4.5	5.4	6.1	6.5	7.5	8.0	8.7	
	7-1/2	5.9	7.1	8.0	8.6	9.8	10.5	11.4	5.7	6.9	7.8	8.3	9.5	10.2	11.1	5.5	6.6	7.5	8.0	9.2	9.8	10.7	

R-410A BALANCED PORTED VALVES (TONS) NXT SERIES

VALVE TYPE	NOMINAL RATING	EVAPORATOR TEMPERATURE																							
		50 °F								40 °F								20 °F							
		PRESSURE DROP ACROSS VALVE (PSI)								PRESSURE DROP ACROSS VALVE (PSI)								PRESSURE DROP ACROSS VALVE (PSI)							
		75	110	140	160	210	240	285	75	110	140	160	210	240	285	75	110	140	160	210	240	285			
NXT Series	1/2	0.4	0.5	0.5	0.6	0.6	0.7	0.8	0.4	0.5	0.5	0.6	0.6	0.7	0.7	0.4	0.5	0.5	0.5	0.6	0.7	0.7			
	1	0.7	0.8	0.9	1.0	1.2	1.2	1.3	0.7	0.8	0.9	1.0	1.1	1.2	1.3	0.7	0.8	0.9	1.0	1.1	1.2	1.3			
	1-1/2	1.0	1.3	1.4	1.5	1.7	1.9	2.0	1.0	1.2	1.4	1.5	1.7	1.8	2.0	1.0	1.2	1.4	1.5	1.7	1.8	2.0			
	2	1.4	1.7	1.9	2.0	2.3	2.5	2.7	1.4	1.7	1.9	2.0	2.3	2.4	2.7	1.3	1.6	1.8	2.0	2.2	2.4	2.6			
	3	2.1	2.5	2.8	3.0	3.5	3.7	4.0	2.1	2.5	2.8	3.0	3.4	3.7	4.0	2.0	2.4	2.7	2.9	3.4	3.6	3.9			
	4	2.8	3.3	3.8	4.0	4.6	4.9	5.4	2.7	3.3	3.7	4.0	4.6	4.9	5.3	2.7	3.2	3.7	3.9	4.5	4.8	5.2			
	5	3.5	4.2	4.7	5.0	5.8	6.2	6.7	3.4	4.1	4.7	5.0	5.7	6.1	6.7	3.3	4.1	4.6	4.9	5.6	6.0	6.5			
	6	4.1	5.0	5.7	6.1	6.9	7.4	8.1	4.1	5.0	5.6	6.0	6.9	7.3	8.0	4.0	4.9	5.5	5.9	6.7	7.2	7.8			
	7	4.8	5.9	6.6	7.1	8.1	8.6	9.4	4.8	5.8	6.5	7.0	8.0	8.6	9.3	4.7	5.7	6.4	6.8	7.8	8.4	9.1			
	8	5.8	7.0	7.9	8.5	9.7	10.4	11.3	5.7	7.0	7.8	8.4	9.6	10.3	11.2	5.6	6.8	7.7	8.2	9.4	10.1	11.0			
	10	7.1	8.6	9.7	10.4	11.9	12.7	13.9	7.1	8.5	9.6	10.3	11.8	12.6	13.8	6.9	8.4	9.4	10.1	11.6	12.4	13.5			
	12	8.7	10.6	11.9	12.7	14.6	15.6	17.0	8.6	10.5	11.8	12.6	14.5	15.5	16.9	8.5	10.2	11.6	12.4	14.2	15.1	16.5			
	15	10.2	12.4	14.0	14.9	17.1	18.3	19.9	10.1	12.3	13.8	14.8	16.9	18.1	19.7	9.9	12.0	13.5	14.5	16.6	17.7	19.3			

R-410A BALANCED PORTED VALVES (TONS) NXT SERIES

VALVE TYPE	NOMINAL RATING	EVAPORATOR TEMPERATURE																							
		0 °F								-20 °F								-40 °F							
		PRESSURE DROP ACROSS VALVE (PSI)								PRESSURE DROP ACROSS VALVE (PSI)								PRESSURE DROP ACROSS VALVE (PSI)							
		75	110	140	160	210	240	285	75	110	140	160	210	240	285	75	110	140	160	210	240	285			
NXT Series	1/2	0.4	0.4	0.5	0.5	0.6	0.7	0.7	0.4	0.4	0.5	0.5	0.6	0.7	0.7	0.3	0.4	0.5	0.6	0.6	0.6	0.7			
	1	0.7	0.8	0.9	1.0	1.1	1.2	1.3	0.6	0.6	0.9	0.9	1.1	1.1	1.2	0.6	0.7	0.8	0.9	1.0	1.1	1.2			
	1-1/2	1.0	1.2	1.3	1.4	1.6	1.8	1.9	0.9	1.1	1.3	1.4	1.6	1.7	1.8	0.9	1.1	1.2	1.3	1.5	1.6	1.8			
	2	1.3	1.6	1.8	1.9	2.2	2.3	2.5	1.3	1.5	1.7	1.8	2.1	2.3	2.5	1.2	1.5	1.7	1.8	2.0	2.2	2.4			
	3	2.0	2.4	2.7	2.9	3.3	3.5	3.8	1.9	2.3	2.6	2.8	3.2	3.4	3.7	1.8	2.2	2.5	2.7	3.1	3.3	3.6			
	4	2.6	3.2	3.6	3.8	4.4	4.7	5.1	2.5	3.1	3.5	3.7	4.2	4.5	4.9	2.4	3.0	3.3	3.6	4.1	4.4	4.8			
	5	3.3	3.9	4.5	4.8	5.5	5.8	6.4	3.2	3.8	4.3	4.6	5.3	5.7	6.2	3.0	3.7	4.2	4.5	5.1	5.5	5.9			
	6	3.9	4.7	5.3	5.7	6.5	7.0	7.6	3.8	4.6	5.2	5.5	6.3	6.8	7.4	3.7	4.4	5.0	5.3	6.1	6.5	7.1			
	7	4.8	5.9	6.6	6.7	8.1	8.6	9.4	4.4	5.4	6.0	6.5	7.4	7.9	8.6	4.3	5.2	5.8	6.2	7.1	7.6	8.3			
	8	5.5	6.6	7.5	8.0	9.2	9.8	10.7	5.3	6.4	7.2	7.7	8.9	9.5	10.3	5.1	6.2	7.0	7.5	8.6	9.2	10.0			
	10	6.7	8.1	9.2	9.8	11.3	12.0	13.1	6.5	7.9	8.9	9.5	10.9	11.7	12.7	6.3	7.6	8.6	9.2	10.5	11.2	12.3			
	12	8.2	10.0	11.3	12.0	13.8	14.7	16.1	8.0	9.7	10.9	11.7	13.4	14.3	15.6	7.7	9.3	10.5	11.2	12.9	13.8	15.0			
	15	9.6	11.7	13.2	14.1	16.1	17.3	18.8	9.3	11.3	12.8	13.7	15.6	16.7	18.2	9.0	10.3	12.3	13.2	15.1	15.1	17.6			

NOTE: Standard capacity is rated at 100°F liquid inlet and 40°F evap temperature; with 160 psi pressure drop across TXV per ARI-750-2001. These ratings assume vapor free liquid entering the thermal expansion valve.

R-410A BALANCE PORTED VALVES (TONS) TFE SERIES

VALVE TYPE	NOMINAL RATING	EVAPORATOR TEMPERATURE																							
		50 °F								40 °F								20 °F							
		PRESSURE DROP ACROSS VALVE (PSI)								PRESSURE DROP ACROSS VALVE (PSI)								PRESSURE DROP ACROSS VALVE (PSI)							
		75	110	140	160	210	240	285	75	110	140	160	210	240	285	75	110	140	160	210	240	285			
TFES	12	8.1	9.9	11.1	11.9	13.6	14.6	15.9	8.1	9.8	11.0	11.8	13.5	14.5	15.7	7.9	9.6	10.8	11.5	13.2	14.1	15.4			
	16	12.4	15.0	16.9	18.1	20.7	22.1	24.1	12.3	14.8	16.7	17.9	20.5	21.9	23.9	12.0	14.5	16.4	17.5	20.1	21.5	23.4			
	20	13.3	16.1	18.2	19.5	22.3	23.8	26.0	13.2	16.0	18.1	19.3	22.1	23.6	25.8	12.9	15.7	17.7	18.9	21.6	23.1	25.2			

VALVE TYPE	NOMINAL RATING	EVAPORATOR TEMPERATURE																							
		0 °F								-20 °F								-40 °F							
		PRESSURE DROP ACROSS VALVE (PSI)								PRESSURE DROP ACROSS VALVE (PSI)								PRESSURE DROP ACROSS VALVE (PSI)							
		75	110	140	160	210	240	285	75	110	140	160	210	240	285	75	110	140	160	210	240	285			
TFES	12	7.7	9.3	10.5	11.2	12.9	13.8	15.0	7.5	9.0	10.2	10.9	12.5	13.3	14.5	7.2	8.7	9.8	10.5	12.0	12.9	14.0			
	16	11.7	14.1	16.0	17.1	19.5	20.9	22.8	11.3	13.7	15.5	16.5	18.9	20.2	22.1	10.9	13.2	14.9	15.9	18.3	19.5	21.3			
	20	12.6	15.2	17.2	18.4	21.1	22.5	24.5	12.2	14.8	16.7	17.8	20.4	21.8	23.8	11.8	14.3	16.1	17.2	19.7	21.1	22.9			

NOTE: Standard capacity is rated at 100 °F liquid inlet and 40 °F evap temperature; with 160 psi pressure drop across TXV per ARI 750-2001. These ratings assume vapor free liquid entering the thermal expansion valve.

REFRIGERANT LIQUID TEMPERATURE VALVE CAPACITY MULTIPLIER CORRECTION FACTORS

	REFRIGERANT LIQUID TEMPERATURE °F														
	50	60	70	80	90	100	110	120	130	140	100	110	120	130	140
R-410A	1.37	1.30	1.23	1.15	1.08	1.00	0.92	0.84	0.75	0.65	1.00	0.93	0.86	0.79	0.71

These factors include corrections for liquid refrigerant density and net refrigeration effect, and are based on an average evaporator temperature of 0°F with a maximum 7°F Change in Superheat. However, they may be used for any evaporator temperature from -40°F to +40°F since the variation in the actual factors across this range is insignificant.

REFRIGERANT LIQUID TEMPERATURE VALVE CAPACITY MULTIPLIER CORRECTION FACTORS

	REFRIGERANT LIQUID TEMPERATURE °F														
	0	10	20	30	40	50	60	70	80	90	100	110	120	130	140
R-12	1.60	1.54	1.48	1.42	1.36	1.30	1.24	1.18	1.12	1.06	1.00	0.94	0.88	0.82	0.75
R-134a	1.70	1.63	1.56	1.49	1.42	1.36	1.29	1.21	1.14	1.07	1.00	0.93	0.85	0.78	0.71
R-22	1.56	1.51	1.45	1.40	1.34	1.29	1.23	1.17	1.12	1.06	1.00	0.94	0.88	0.82	0.76
R-404A/R-507	2.00	1.90	1.80	1.70	1.60	1.50	1.40	1.30	1.20	1.10	1.00	0.90	0.80	0.70	0.50
R-450A/R-513A	1.73	1.65	1.58	1.51	1.44	1.36	1.29	1.22	1.15	1.07	1.00	0.93	0.85	0.78	0.70
R-448A/R-449A	1.71	1.64	1.57	1.50	1.43	1.36	1.29	1.22	1.15	1.07	1.00	0.92	0.85	0.77	0.69

These factors include corrections for liquid refrigerant density and net refrigerating effect and are based on an average evaporator temperature of 0°F. However, they may be used for any evaporator temperature from -40°F to +40°F since the variation in the actual factors across this range is insignificant.

R-448A | R-449A (TONS) BALANCE PORTED VALVES - B SERIES AND H SERIES

VALVE TYPE	NOMINAL RATING	EVAPORATOR TEMPERATURE																	
		50°F						40°F						20°F					
		PRESSURE DROP ACROSS VALVE (PSI)						PRESSURE DROP ACROSS VALVE (PSI)						PRESSURE DROP ACROSS VALVE (PSI)					
		60	80	100	125	150	175	60	80	100	125	150	175	60	80	100	125	150	175
BA/BN	1/2	0.40	0.46	0.52	0.58	0.64	0.69	0.40	0.46	0.51	0.57	0.63	0.68	0.39	0.45	0.50	0.56	0.61	0.66
BA/BN	1	0.76	0.88	0.99	1.10	1.21	1.30	0.76	0.87	0.97	1.09	1.19	1.29	0.74	0.85	0.95	1.06	1.17	1.26
BA/BN	1-1/2	1.19	1.37	1.53	1.72	1.88	2.03	1.18	1.36	1.52	1.70	1.86	2.01	1.15	1.33	1.48	1.66	1.82	1.96
BA/BN	2	1.59	1.84	2.05	2.30	2.51	2.72	1.57	1.82	2.03	2.27	2.49	2.69	1.54	1.77	1.98	2.22	2.43	2.62
BA/BN	2-1/2	2.01	2.32	2.59	2.90	3.18	3.43	1.99	2.29	2.57	2.87	3.14	3.39	1.94	2.24	2.50	2.80	3.07	3.31
BA/BN	3	2.43	2.81	3.14	3.51	3.85	4.16	2.41	2.78	3.11	3.48	3.81	4.11	2.35	2.71	3.04	3.39	3.72	4.02
BA/BN	4	3.15	3.64	4.06	4.54	4.98	5.38	3.12	3.60	4.02	4.50	4.93	5.32	3.04	3.51	3.93	4.39	4.81	5.19
BA/BN	5	3.99	4.61	5.15	5.76	6.31	6.82	3.95	4.56	5.10	5.70	6.25	6.75	3.86	4.45	4.98	5.57	6.10	6.59
BA/BN	6	4.96	5.72	6.40	7.15	7.84	8.46	4.90	5.66	6.33	7.08	7.75	8.38	4.79	5.53	6.18	6.91	7.57	8.18
HF	1/4	0.22	0.26	0.29	0.32	0.36	0.38	0.22	0.26	0.29	0.32	0.35	0.38	0.22	0.25	0.28	0.31	0.34	0.37
HF	1/2	0.43	0.49	0.55	0.61	0.67	0.73	0.42	0.49	0.54	0.61	0.67	0.72	0.41	0.47	0.53	0.59	0.65	0.70
HF	1	0.76	0.88	0.99	1.10	1.21	1.30	0.76	0.87	0.97	1.09	1.19	1.29	0.74	0.85	0.95	1.06	1.17	1.26
HF	1-1/2	1.16	1.34	1.50	1.68	1.84	1.99	1.15	1.33	1.49	1.66	1.82	1.97	1.13	1.30	1.45	1.62	1.78	1.92
HF	2	1.57	1.82	2.03	2.27	2.49	2.69	1.56	1.80	2.01	2.25	2.46	2.66	1.52	1.76	1.96	2.20	2.40	2.60
HF	2-1/2	2.02	2.33	2.60	2.91	3.19	3.44	2.00	2.30	2.58	2.88	3.15	3.41	1.95	2.25	2.51	2.81	3.08	3.33
HF	3-1/2	2.66	3.07	3.43	3.84	4.20	4.54	2.63	3.04	3.40	3.80	4.16	4.49	2.57	2.97	3.32	3.71	4.06	4.39
HF	6	4.73	5.46	6.11	6.83	7.48	8.08	4.68	5.41	6.04	6.76	7.40	8.00	4.57	5.28	5.90	6.60	7.23	7.81
HF	8-1/2	6.58	7.60	8.49	9.50	10.40	11.23	6.51	7.52	8.40	9.40	10.29	11.12	6.36	7.34	8.20	9.17	10.05	10.85
HF	10-1/2	8.35	9.65	10.78	12.06	13.21	14.27	8.27	9.55	10.67	11.93	13.07	14.12	8.07	9.32	10.42	11.65	12.76	13.78
HF	16	12.37	14.28	15.97	17.85	19.56	21.13	12.24	14.14	15.80	17.67	19.36	20.91	11.95	13.80	15.43	17.25	18.89	20.41
HF	20-1/2	16.23	18.74	20.95	23.42	25.65	27.71	16.06	18.54	20.73	23.18	25.39	27.42	15.67	18.10	20.24	22.62	24.78	26.77

Standard capacity is rated at 100°F liquid inlet and 40°F evaporator temperature; with 100 psi pressure drop across the TXV.

VALVE TYPE	NOMINAL RATING	EVAPORATOR TEMPERATURE																	
		0°F						-20°F						-40°F					
		PRESSURE DROP ACROSS VALVE (PSI)						PRESSURE DROP ACROSS VALVE (PSI)						PRESSURE DROP ACROSS VALVE (PSI)					
		60	80	100	125	150	175	80	100	125	150	175	200	80	100	125	150	175	200
BA/BN	1/2	0.38	0.44	0.49	0.54	0.60	0.64	0.34	0.39	0.43	0.47	0.51	0.54	0.23	0.26	0.29	0.32	0.34	0.37
BA/BN	1	0.72	0.83	0.93	1.03	1.13	1.22	0.65	0.73	0.82	0.90	0.97	1.04	0.44	0.49	0.55	0.61	0.65	0.70
BA/BN	1-1/2	1.12	1.29	1.44	1.61	1.77	1.91	1.02	1.14	1.27	1.40	1.51	1.61	0.69	0.77	0.86	0.94	1.02	1.09
BA/BN	2	1.49	1.73	1.93	2.16	2.36	2.55	1.36	1.53	1.71	1.87	2.02	2.16	0.92	1.03	1.15	1.26	1.36	1.46
BA/BN	2-1/2	1.89	2.18	2.44	2.72	2.98	3.22	1.72	1.93	2.15	2.36	2.55	2.72	1.16	1.30	1.45	1.59	1.72	1.84
BA/BN	3	2.29	2.64	2.95	3.30	3.62	3.91	2.09	2.33	2.61	2.86	3.09	3.30	1.41	1.58	1.76	1.93	2.09	2.23
BA/BN	4	2.96	3.42	3.82	4.27	4.68	5.05	2.70	3.02	3.38	3.70	4.00	4.27	1.82	2.04	2.28	2.50	2.70	2.88
BA/BN	5	3.75	4.33	4.84	5.41	5.93	6.41	3.43	3.83	4.28	4.69	5.07	5.42	2.31	2.59	2.89	3.17	3.42	3.66
BA/BN	6	4.66	5.38	6.01	6.72	7.36	7.95	4.25	4.75	5.32	5.82	6.29	6.72	2.87	3.21	3.59	3.93	4.25	4.54
HF	1/4	0.21	0.24	0.27	0.31	0.33	0.36	0.19	0.22	0.24	0.26	0.29	0.31	0.13	0.15	0.16	0.18	0.19	0.21
HF	1/2	0.40	0.46	0.52	0.58	0.63	0.68	0.37	0.41	0.46	0.50	0.54	0.58	0.25	0.28	0.31	0.34	0.36	0.39
HF	1	0.72	0.83	0.93	1.03	1.13	1.22	0.65	0.73	0.82	0.90	0.97	1.04	0.44	0.49	0.55	0.61	0.65	0.70
HF	1-1/2	1.09	1.26	1.41	1.58	1.73	1.87	1.00	1.12	1.25	1.37	1.48	1.58	0.67	0.75	0.84	0.92	1.00	1.07
HF	2	1.48	1.71	1.91	2.14	2.34	2.53	1.35	1.51	1.69	1.85	2.00	2.14	0.91	1.02	1.14	1.25	1.35	1.44
HF	2-1/2	1.89	2.19	2.45	2.73	3.00	3.24	1.73	1.93	2.16	2.37	2.56	2.74	1.17	1.31	1.46	1.60	1.73	1.85
HF	3-1/2	2.50	2.88	3.23	3.61	3.95	4.27	2.28	2.55	2.85	3.12	3.37	3.61	1.54	1.72	1.93	2.11	2.28	2.44
HF	6	4.45	5.13	5.74	6.42	7.03	7.59	4.06	4.54	5.07	5.56	6.00	6.42	2.74	3.06	3.43	3.75	4.05	4.33
HF	8-1/2	6.18	7.14	7.98	8.92	9.77	10.56	5.64	6.31	7.06	7.73	8.35	8.92	3.81	4.26	4.76	5.22	5.64	6.03
HF	10-1/2	7.85	9.06	10.13	11.33	12.41	13.41	7.17	8.01	8.96	9.81	10.60	11.33	4.84	5.41	6.05	6.63	7.16	7.65
HF	16	11.62	13.42	15.01	16.78	18.38	19.85	10.61	11.87	13.27	14.53	15.70	16.78	7.17	8.01	8.96	9.81	10.60	11.33
HF	20-1/2	15.25	17.61	19.68	22.01	24.11	26.04	13.92	15.56	17.40	19.06	20.59	22.01	9.40	10.51	11.75	12.87	13.90	14.86

REFRIGERANT LIQUID TEMPERATURE VALVE CAPACITY MULTIPLIER CORRECTION FACTORS

	REFRIGERANT LIQUID TEMPERATURE °F														
	0	10	20	30	40	50	60	70	80	90	100	110	120	130	140
R-448A/R-449A	1.71	1.64	1.57	1.50	1.43	1.36	1.29	1.22	1.15	1.07	1.00	0.92	0.85	0.77	0.69

These factors include corrections for liquid refrigerant density and net refrigerating effect and are based on an average evaporator temperature of 0°F. However, they may be used for any evaporator temperature from -40°F to +40°F since the variation in the actual factors across this range is insignificant.

R-450A / R-513A BALANCE PORTED VALVES (TONS) B SERIES AND HF SERIES

VALVE TYPE	NOMINAL RATING	EVAPORATOR TEMPERATURE																	
		50°F						40°F						20°F					
		PRESSURE DROP ACROSS VALVE (PSI)						PRESSURE DROP ACROSS VALVE (PSI)						PRESSURE DROP ACROSS VALVE (PSI)					
		60	80	100	125	150	175	60	80	100	125	150	175	60	80	100	125	150	175
BA/BN	1/4	0.30	0.34	0.38	0.43	0.47	0.51	0.29	0.33	0.37	0.42	0.46	0.50	0.28	0.32	0.36	0.40	0.44	0.47
BA/BN	1/2	0.56	0.65	0.73	0.81	0.89	0.96	0.55	0.63	0.71	0.79	0.87	0.94	0.52	0.60	0.67	0.75	0.82	0.89
BA/BN	3/4	0.88	1.01	1.13	1.26	1.38	1.49	0.85	0.99	1.10	1.23	1.35	1.46	0.81	0.94	1.05	1.17	1.28	1.39
BA/BN	1	1.16	1.34	1.50	1.68	1.84	1.99	1.14	1.31	1.47	1.64	1.80	1.94	1.08	1.25	1.39	1.56	1.71	1.84
BA/BN	1-1/2	1.48	1.71	1.91	2.13	2.34	2.52	1.44	1.67	1.86	2.08	2.28	2.46	1.37	1.58	1.77	1.98	2.17	2.34
BA/BN	1-3/4	1.78	2.06	2.30	2.57	2.82	3.04	1.74	2.01	2.25	2.51	2.75	2.97	1.65	1.91	2.13	2.39	2.61	2.82
BA/BN	2-1/4	2.31	2.67	2.99	3.34	3.66	3.95	2.26	2.61	2.91	3.26	3.57	3.85	2.14	2.48	2.77	3.10	3.39	3.66
BA/BN	3	2.92	3.37	3.77	4.22	4.62	4.99	2.85	3.29	3.68	4.12	4.51	4.87	2.71	3.13	3.50	3.91	4.29	4.63
BA/BN	3-1/2	3.64	4.20	4.70	5.25	5.75	6.21	3.55	4.10	4.58	5.12	5.61	6.06	3.37	3.89	4.35	4.87	5.33	5.76
HF	1/5	0.17	0.19	0.22	0.24	0.27	0.29	0.16	0.19	0.21	0.24	0.26	0.28	0.16	0.18	0.20	0.23	0.25	0.27
HF	1/4	0.31	0.36	0.40	0.45	0.50	0.53	0.31	0.35	0.39	0.44	0.48	0.52	0.29	0.34	0.37	0.42	0.46	0.50
HF	1/2	0.56	0.65	0.73	0.81	0.89	0.96	0.55	0.63	0.71	0.79	0.87	0.94	0.52	0.60	0.67	0.75	0.82	0.89
HF	3/4	0.85	0.98	1.10	1.23	1.35	1.45	0.83	0.96	1.07	1.20	1.31	1.42	0.79	0.91	1.02	1.14	1.25	1.35
HF	1	1.15	1.33	1.48	1.66	1.82	1.96	1.12	1.29	1.45	1.62	1.77	1.91	1.06	1.23	1.37	1.54	1.68	1.82
HF	1-1/2	1.48	1.71	1.91	2.13	2.34	2.52	1.44	1.67	1.86	2.08	2.28	2.46	1.37	1.58	1.77	1.98	2.17	2.34
HF	2	1.94	2.24	2.51	2.80	3.07	3.32	1.90	2.19	2.45	2.74	3.00	3.24	1.80	2.08	2.33	2.60	2.85	3.08
HF	3-1/2	3.46	4.00	4.47	4.99	5.47	5.91	3.38	3.90	4.36	4.88	5.34	5.77	3.21	3.71	4.14	4.63	5.07	5.48
HF	4-1/2	4.82	5.56	6.22	6.95	7.62	8.23	4.70	5.43	6.07	6.79	7.44	8.03	4.47	5.16	5.77	6.45	7.06	7.63
HF	6	6.09	7.04	7.87	8.80	9.63	10.41	5.95	6.87	7.68	8.59	9.41	10.16	5.65	6.53	7.30	8.16	8.94	9.65
HF	9	9.04	10.44	11.67	13.05	14.29	15.44	8.82	10.19	11.39	12.74	13.95	15.07	8.38	9.68	10.82	12.10	13.26	14.32
HF	11-1/2	11.90	13.74	15.36	17.17	18.81	20.32	11.61	13.41	14.99	16.76	18.36	19.84	11.03	12.74	14.25	15.93	17.45	18.84

NOTE: Standard capacity is rate at 100F liquid inlet and 40°F evaporator temperature; with 60 psi pressure drop across the TXV.

VALVE TYPE	NOMINAL RATING	EVAPORATOR TEMPERATURE																	
		0°F						-20°F						-40°F					
		PRESSURE DROP ACROSS VALVE (PSI)						PRESSURE DROP ACROSS VALVE (PSI)						PRESSURE DROP ACROSS VALVE (PSI)					
		60	80	100	125	150	175	80	100	125	150	175	200	80	100	125	150	175	200
BA/BN	1/4	0.20	0.23	0.26	0.29	0.32	0.34	0.15	0.17	0.19	0.21	0.22	0.24	0.09	0.10	0.11	0.12	0.13	0.14
BA/BN	1/2	0.38	0.44	0.49	0.55	0.60	0.65	0.29	0.32	0.36	0.39	0.42	0.45	0.16	0.18	0.20	0.22	0.24	0.26
BA/BN	3/4	0.59	0.68	0.76	0.85	0.93	1.01	0.45	0.50	0.56	0.61	0.66	0.71	0.25	0.28	0.32	0.35	0.38	0.40
BA/BN	1	0.78	0.90	1.01	1.13	1.24	1.34	0.59	0.66	0.74	0.81	0.88	0.94	0.34	0.38	0.42	0.46	0.50	0.54
BA/BN	1-1/2	0.99	1.15	1.28	1.44	1.57	1.70	0.75	0.84	0.94	1.03	1.11	1.19	0.43	0.48	0.54	0.59	0.64	0.68
BA/BN	1-3/4	1.20	1.39	1.55	1.73	1.90	2.05	0.91	1.02	1.14	1.25	1.35	1.44	0.52	0.58	0.65	0.71	0.77	0.82
BA/BN	2-1/4	1.56	1.80	2.01	2.25	2.46	2.66	1.18	1.32	1.47	1.62	1.74	1.87	0.67	0.75	0.84	0.92	1.00	1.06
BA/BN	3	1.97	2.27	2.54	2.84	3.11	3.36	1.49	1.67	1.86	2.04	2.21	2.36	0.85	0.95	1.06	1.17	1.26	1.35
BA/BN	3-1/2	2.45	2.83	3.16	3.53	3.87	4.18	1.86	2.07	2.32	2.54	2.74	2.93	1.06	1.18	1.32	1.45	1.57	1.67
HF	1/5	0.11	0.13	0.15	0.16	0.18	0.19	0.09	0.10	0.11	0.12	0.13	0.14	0.05	0.05	0.06	0.07	0.07	0.08
HF	1/4	0.21	0.24	0.27	0.30	0.33	0.36	0.16	0.18	0.20	0.22	0.24	0.25	0.09	0.10	0.11	0.12	0.13	0.14
HF	1/2	0.38	0.44	0.49	0.55	0.60	0.65	0.29	0.32	0.36	0.39	0.42	0.45	0.16	0.18	0.20	0.22	0.24	0.26
HF	3/4	0.57	0.66	0.74	0.83	0.91	0.98	0.43	0.49	0.54	0.59	0.64	0.69	0.25	0.28	0.31	0.34	0.37	0.39
HF	1	0.77	0.89	1.00	1.12	1.22	1.32	0.59	0.65	0.73	0.80	0.87	0.93	0.33	0.37	0.42	0.46	0.49	0.53
HF	1-1/2	0.99	1.15	1.28	1.44	1.57	1.70	0.75	0.84	0.94	1.03	1.11	1.19	0.43	0.48	0.54	0.59	0.64	0.68
HF	2	1.31	1.51	1.69	1.89	2.07	2.23	0.99	1.11	1.24	1.36	1.47	1.57	0.57	0.63	0.71	0.77	0.84	0.89
HF	3-1/2	2.33	2.69	3.01	3.36	3.68	3.98	1.77	1.97	2.21	2.42	2.61	2.79	1.01	1.13	1.26	1.38	1.49	1.59
HF	4-1/2	3.24	3.74	4.19	4.68	5.13	5.54	2.46	2.75	3.07	3.37	3.64	3.89	1.40	1.57	1.75	1.92	2.07	2.22
HF	6	4.10	4.74	5.30	5.92	6.49	7.01	3.11	3.48	3.89	4.26	4.60	4.92	1.77	1.98	2.22	2.43	2.62	2.81
HF	9	6.09	7.03	7.86	8.78	9.62	10.39	4.61	5.16	5.77	6.32	6.82	7.29	2.63	2.94	3.29	3.60	3.89	4.16
HF	11-1/2	8.01	9.25	10.34	11.56	12.66	13.68	6.07	6.79	7.59	8.31	8.98	9.60	3.46	3.87	4.33	4.74	5.12	5.48

REFRIGERANT LIQUID TEMPERATURE VALVE CAPACITY MULTIPLIER CORRECTION FACTORS

	REFRIGERANT LIQUID TEMPERATURE OF															
	0	10	20	30	40	50	60	70	80	90	100	110	120	130	140	
R-12	1.60	1.54	1.48	1.42	1.36	1.30	1.24	1.18	1.12	1.06	1.00	0.94	0.88	0.82	0.75	
R-134a	1.70	1.63	1.56	1.49	1.42	1.36	1.29	1.21	1.14	1.07	1.10	0.93	0.85	0.78	0.71	
R-22	1.56	1.51	1.45	1.40	1.34	1.29	1.23	1.17	1.12	1.06	1.00	0.94	0.88	0.82	0.76	
R-404A/R-507	2.00	1.90	1.80	1.70	1.60	1.50	1.40	1.30	1.20	1.10	1.00	0.90	0.80	0.70	0.50	
R-450A/R-513A	1.73	1.65	1.58	1.51	1.44	1.36	1.29	1.22	1.15	1.07	1.00	0.93	0.85	0.78	0.70	
R-448A/R-449A	1.71	1.64	1.57	1.50	1.43	1.36	1.29	1.22	1.15	1.07	1.00	0.92	0.85	0.77	0.69	

These factors include corrections for liquid refrigerant density and net refrigerating effect and are based on an average evaporator temperature of 0°F. However, they may be used for any evaporator temperature from -40°F to +40°F since the variation in the actual factors across this range is insignificant.

R-452A (TONS) BALANCE PORTED VALVES - B SERIES AND H SERIES

VALVE TYPE	NOMINAL RATING	EVAPORATOR TEMPERATURE																	
		50°F					40°F					20°F							
		PRESSURE DROP ACROSS VALVE (PSI)					PRESSURE DROP ACROSS VALVE (PSI)					PRESSURE DROP ACROSS VALVE (PSI)							
		60	80	100	125	150	175	60	80	100	125	150	175	60	80	100	125	150	175
BA/BN	1/2	0.30	0.35	0.39	0.43	0.47	0.51	0.29	0.34	0.38	0.42	0.46	0.50	0.28	0.32	0.36	0.40	0.44	0.47
BA/BN	1	0.57	0.66	0.73	0.82	0.90	0.97	0.56	0.64	0.72	0.80	0.88	0.95	0.53	0.61	0.68	0.76	0.83	0.90
BA/BN	1-1/2	0.89	1.02	1.14	1.28	1.40	1.51	0.87	1.00	1.12	1.25	1.37	1.48	0.82	0.95	1.06	1.19	1.30	1.40
BA/BN	2	1.19	1.37	1.53	1.71	1.88	2.03	1.16	1.34	1.50	1.67	1.83	1.98	1.10	1.27	1.42	1.59	1.74	1.88
BA/BN	2-1/2	1.50	1.73	1.93	2.16	2.37	2.56	1.46	1.69	1.89	2.11	2.31	2.50	1.39	1.60	1.79	2.00	2.19	2.37
BA/BN	3	1.82	2.10	2.34	2.62	2.87	3.10	1.77	2.05	2.29	2.56	2.80	3.03	1.68	1.94	2.17	2.43	2.66	2.87
BA/BN	4	2.35	2.71	3.03	3.39	3.71	4.01	2.29	2.65	2.96	3.31	3.63	3.92	2.17	2.51	2.81	3.14	3.44	3.71
BA/BN	5	2.98	3.44	3.84	4.30	4.71	5.09	2.91	3.36	3.75	4.20	4.60	4.97	2.76	3.18	3.56	3.98	4.36	4.71
BA/BN	6	3.70	4.27	4.77	5.34	5.85	6.31	3.61	4.17	4.66	5.21	5.71	6.17	3.42	3.95	4.42	4.94	5.41	5.85
HF	1/4	0.17	0.19	0.22	0.24	0.27	0.29	0.16	0.19	0.21	0.24	0.26	0.28	0.16	0.18	0.20	0.22	0.25	0.27
HF	1/2	0.32	0.37	0.41	0.46	0.50	0.54	0.31	0.36	0.40	0.45	0.49	0.53	0.29	0.34	0.38	0.42	0.46	0.50
HF	1	0.57	0.66	0.73	0.82	0.90	0.97	0.56	0.64	0.72	0.80	0.88	0.95	0.53	0.61	0.68	0.76	0.83	0.90
HF	1-1/2	0.87	1.00	1.12	1.25	1.37	1.48	0.85	0.98	1.10	1.22	1.34	1.45	0.80	0.93	1.04	1.16	1.27	1.37
HF	2	1.17	1.36	1.52	1.70	1.86	2.01	1.15	1.32	1.48	1.66	1.81	1.96	1.09	1.26	1.40	1.57	1.72	1.86
HF	2-1/2	1.50	1.74	1.94	2.17	2.38	2.57	1.47	1.70	1.90	2.12	2.32	2.51	1.39	1.61	1.80	2.01	2.20	2.38
HF	3-1/2	1.98	2.29	2.56	2.86	3.14	3.39	1.94	2.24	2.50	2.80	3.06	3.31	1.84	2.12	2.37	2.65	2.90	3.14
HF	6	3.53	4.08	4.56	5.09	5.58	6.03	3.45	3.98	4.45	4.97	5.45	5.89	3.27	3.77	4.22	4.72	5.17	5.58
HF	8-1/2	4.91	5.67	6.34	7.08	7.76	8.38	4.79	5.53	6.19	6.92	7.58	8.18	4.54	5.25	5.87	6.56	7.18	7.76
HF	10-1/2	6.23	7.20	8.04	8.99	9.85	10.64	6.08	7.03	7.86	8.78	9.62	10.39	5.77	6.66	7.45	8.33	9.12	9.85
HF	16	9.23	10.65	11.91	13.32	14.59	15.76	9.01	10.40	11.63	13.01	14.25	15.39	8.54	9.87	11.03	12.33	13.51	14.59
HF	20-1/2	12.10	13.98	15.62	17.47	19.14	20.67	11.82	13.65	15.26	17.06	18.69	20.18	11.21	12.94	14.47	16.18	17.72	19.14

NOTE: Standard capacity is rated at 100F liquid inlet and 40F evaporator temperature; with 100 psi pressure drop across the TXV.

VALVE TYPE	NOMINAL RATING	EVAPORATOR TEMPERATURE																	
		0°F					-20°F					-40°F							
		PRESSURE DROP ACROSS VALVE (PSI)					PRESSURE DROP ACROSS VALVE (PSI)					PRESSURE DROP ACROSS VALVE (PSI)							
		60	80	100	125	150	175	80	100	125	150	175	200	80	100	125	150	175	200
BA/BN	1/2	0.26	0.30	0.34	0.38	0.41	0.45	0.21	0.24	0.26	0.29	0.31	0.33	0.13	0.15	0.17	0.18	0.20	0.21
BA/BN	1	0.50	0.57	0.64	0.72	0.78	0.85	0.40	0.45	0.50	0.55	0.59	0.64	0.26	0.29	0.32	0.35	0.38	0.40
BA/BN	1-1/2	0.77	0.89	1.00	1.12	1.22	1.32	0.63	0.70	0.78	0.86	0.93	0.99	0.40	0.45	0.50	0.55	0.59	0.63
BA/BN	2	1.03	1.19	1.34	1.49	1.64	1.77	0.84	0.94	1.05	1.15	1.24	1.32	0.53	0.60	0.67	0.73	0.79	0.84
BA/BN	2-1/2	1.31	1.51	1.69	1.89	2.07	2.23	1.06	1.18	1.32	1.45	1.56	1.67	0.67	0.75	0.84	0.92	1.00	1.06
BA/BN	3	1.58	1.83	2.04	2.29	2.50	2.70	1.28	1.43	1.60	1.75	1.89	2.03	0.82	0.91	1.02	1.12	1.21	1.29
BA/BN	4	2.05	2.37	2.64	2.96	3.24	3.50	1.66	1.85	2.07	2.27	2.45	2.62	1.06	1.18	1.32	1.45	1.56	1.67
BA/BN	5	2.60	3.00	3.35	3.75	4.11	4.44	2.10	2.35	2.63	2.88	3.11	3.32	1.34	1.50	1.67	1.83	1.98	2.12
BA/BN	6	3.22	3.72	4.16	4.65	5.10	5.51	2.61	2.92	3.26	3.57	3.86	4.12	1.66	1.86	2.08	2.27	2.46	2.63
HF	1/4	0.15	0.17	0.19	0.21	0.23	0.25	0.12	0.13	0.15	0.16	0.18	0.19	0.08	0.08	0.09	0.10	0.11	0.12
HF	1/2	0.28	0.32	0.36	0.40	0.44	0.47	0.22	0.25	0.28	0.31	0.33	0.35	0.14	0.16	0.18	0.20	0.21	0.23
HF	1	0.50	0.57	0.64	0.72	0.78	0.85	0.40	0.45	0.50	0.55	0.59	0.64	0.26	0.29	0.32	0.35	0.38	0.40
HF	1-1/2	0.76	0.87	0.98	1.09	1.20	1.29	0.61	0.69	0.77	0.84	0.91	0.97	0.39	0.44	0.49	0.53	0.58	0.62
HF	2	1.02	1.18	1.32	1.48	1.62	1.75	0.83	0.93	1.04	1.13	1.23	1.31	0.53	0.59	0.66	0.72	0.78	0.83
HF	2-1/2	1.31	1.51	1.69	1.89	2.07	2.24	1.06	1.19	1.33	1.45	1.57	1.68	0.68	0.76	0.84	0.93	1.00	1.07
HF	3-1/2	1.73	2.00	2.23	2.50	2.73	2.95	1.40	1.56	1.75	1.92	2.07	2.21	0.89	1.00	1.11	1.22	1.32	1.41
HF	6	3.08	3.55	3.97	4.44	4.87	5.26	2.49	2.78	3.11	3.41	3.68	3.94	1.59	1.77	1.98	2.17	2.35	2.51
HF	8-1/2	4.28	4.94	5.52	6.18	6.77	7.31	3.46	3.87	4.33	4.74	5.12	5.47	2.21	2.47	2.76	3.02	3.26	3.49
HF	10-1/2	5.43	6.27	7.02	7.84	8.59	9.28	4.40	4.92	5.50	6.02	6.50	6.95	2.80	3.13	3.50	3.83	4.14	4.43
HF	16	8.05	9.29	10.39	11.61	12.72	13.74	6.51	7.28	8.14	8.92	9.63	10.29	4.15	4.64	5.18	5.68	6.13	6.56
HF	20-1/2	10.55	12.19	13.63	15.23	16.69	18.03	8.54	9.55	10.67	11.69	12.63	13.50	5.44	6.08	6.80	7.45	8.04	8.60

REFRIGERANT LIQUID TEMPERATURE CORRECTION FACTORS

	REFRIGERANT LIQUID TEMPERATURE °F														
	0	10	20	30	40	50	60	70	80	90	100	110	120	130	140
R-448A/R-449A	1.71	1.64	1.57	1.50	1.43	1.36	1.29	1.22	1.15	1.07	1.00	0.92	0.85	0.77	0.69

These factors include corrections for liquid refrigerant density and net refrigerating effect and are based on an average evaporator temperature of 0°F. However, they may be used for any evaporator temperature from -40°F to +40°F since the variation in the actual factors across this range is insignificant.

R-502 BALANCED PORTED VALVES (TONS) B | HF | TFE | TRAE | T SERIES

VALVE TYPE	NOMINAL RATING	EVAPORATOR TEMPERATURE																	
		50°F						40°F						20°F					
		PRESSURE DROP ACROSS VALVE (PSI)						PRESSURE DROP ACROSS VALVE (PSI)						PRESSURE DROP ACROSS VALVE (PSI)					
		60	80	100	125	150	175	60	80	100	125	150	175	60	80	100	125	150	175
BA/BN	1/4	0.26	0.30	0.34	0.38	0.41	0.44	0.25	0.29	0.32	0.36	0.40	0.43	0.24	0.28	0.31	0.35	0.38	0.41
BA/BN	1/2	0.49	0.57	0.63	0.71	0.77	0.84	0.48	0.55	0.62	0.69	0.76	0.82	0.46	0.53	0.59	0.66	0.73	0.79
BA/BN	1	0.76	0.88	0.98	1.10	1.20	1.30	0.74	0.85	0.96	1.07	1.17	1.26	0.71	0.82	0.92	1.02	1.12	1.21
BA/BN	1-1/4	1.02	1.18	1.32	1.47	1.61	1.74	0.99	1.14	1.28	1.43	1.57	1.69	0.95	1.10	1.23	1.37	1.50	1.62
BA/BN	1-1/2	1.28	1.48	1.65	1.85	2.02	2.19	1.26	1.45	1.63	1.82	1.99	2.15	1.20	1.39	1.55	1.73	1.90	2.05
BA/BN	2	1.55	1.79	2.00	2.24	2.45	2.65	1.52	1.76	1.96	2.19	2.40	2.60	1.45	1.67	1.87	2.09	2.29	2.48
BA/BN	2-1/2	2.01	2.32	2.59	2.90	3.18	3.43	1.97	2.27	2.54	2.84	3.11	3.36	1.88	2.17	2.43	2.71	2.97	3.21
BA/BN	3	2.54	2.93	3.28	3.67	4.02	4.34	2.49	2.88	3.21	3.59	3.94	4.25	2.38	2.75	3.07	3.44	3.76	4.06
BA/BN	4	3.17	3.66	4.09	4.58	5.01	5.41	3.10	3.58	4.00	4.47	4.90	5.29	2.96	3.42	3.82	4.27	4.68	5.06
HF	1/8	0.14	0.16	0.18	0.20	0.22	0.24	0.14	0.16	0.18	0.20	0.22	0.24	0.13	0.15	0.17	0.19	0.21	0.22
HF	1/4	0.27	0.31	0.35	0.39	0.43	0.46	0.27	0.31	0.35	0.39	0.43	0.46	0.25	0.29	0.32	0.36	0.40	0.43
HF	1/2	0.49	0.57	0.63	0.71	0.77	0.84	0.48	0.55	0.62	0.69	0.76	0.82	0.46	0.53	0.59	0.66	0.73	0.79
HF	1	0.74	0.85	0.96	1.07	1.17	1.26	0.73	0.84	0.94	1.05	1.15	1.25	0.70	0.81	0.90	1.01	1.11	1.20
HF	1-1/4	1.00	1.15	1.29	1.44	1.58	1.71	0.98	1.13	1.27	1.41	1.55	1.67	0.93	1.07	1.20	1.34	1.47	1.59
HF	1-1/2	1.28	1.48	1.65	1.85	2.02	2.19	1.26	1.45	1.63	1.82	1.99	2.15	1.20	1.39	1.55	1.73	1.90	2.05
HF	2	1.69	1.95	2.18	2.44	2.67	2.89	1.66	1.92	2.14	2.40	2.62	2.83	1.58	1.82	2.04	2.28	2.50	2.70
HF	3-1/2	3.01	3.48	3.89	4.34	4.76	5.14	2.95	3.41	3.81	4.26	4.66	5.04	2.81	3.24	3.63	4.06	4.44	4.80
HF	5	4.19	4.84	5.41	6.05	6.62	7.16	4.10	4.73	5.29	5.92	6.48	7.00	3.92	4.53	5.06	5.66	6.20	6.69
HF	7	5.30	6.12	6.84	7.65	8.38	9.05	5.19	5.99	6.70	7.49	8.21	8.86	4.96	5.73	6.40	7.16	7.84	8.47
HF	10	7.87	9.09	10.16	11.36	12.44	13.44	7.70	8.89	9.94	11.11	12.17	13.15	7.35	8.49	9.49	10.61	11.62	12.55
HF	13	10.36	11.96	13.37	14.95	16.38	17.69	10.14	11.71	13.09	14.64	16.03	17.32	9.68	11.18	12.50	13.97	15.31	16.53
TFE	5	4.11	4.75	5.31	5.93	6.50	7.02	4.03	4.65	5.20	5.82	6.37	6.88	3.84	4.43	4.96	5.54	6.07	6.56
TFE	7	5.63	6.50	7.27	8.13	8.90	9.62	5.51	6.36	7.11	7.95	8.71	9.41	5.26	6.07	6.79	7.59	8.32	8.98
TFE	9	6.99	8.07	9.02	10.09	11.05	11.94	6.85	7.91	8.84	9.89	10.83	11.70	6.53	7.54	8.43	9.43	10.32	11.15
TFE	14	10.68	12.33	13.79	15.42	16.89	18.24	10.45	12.07	13.49	15.08	16.52	17.85	9.97	11.51	12.87	14.39	15.76	17.03
TRAE+	8	6.05	6.99	7.81	8.73	9.57	10.33	5.93	6.85	7.66	8.56	9.38	10.13	5.66	6.54	7.31	8.17	8.95	9.67
TRAE+	12	8.82	10.18	11.39	12.73	13.95	15.06	8.64	9.98	11.15	12.47	13.66	14.76	8.24	9.51	10.64	11.89	13.03	14.07
TRAE+	14	9.85	11.37	12.72	14.22	15.57	16.82	9.64	11.13	12.45	13.91	15.24	16.46	9.20	10.62	11.88	13.28	14.55	15.71
TRAE+	20	14.93	17.24	19.27	21.55	23.61	25.50	14.61	16.87	18.86	21.09	23.10	24.95	13.95	16.11	18.01	20.14	22.06	23.82
TRAE+	30	20.52	23.69	26.49	29.62	32.44	35.04	20.09	23.20	25.94	29.00	31.77	34.31	19.17	22.14	24.75	27.67	30.31	32.74
TRAE	35	27.70	31.99	35.76	39.98	43.80	47.31	27.12	31.32	35.01	39.14	42.88	46.32	25.88	29.88	33.41	37.35	40.92	44.20
TRAE	40	30.22	34.90	39.01	43.62	47.78	51.61	29.58	34.16	38.19	42.70	46.77	50.52	28.23	32.60	36.44	40.75	44.64	48.21
TRAE	50	35.96	41.52	46.42	51.90	56.86	61.41	35.21	40.66	45.46	50.82	55.67	60.13	35.21	40.66	45.46	50.82	55.67	60.13
TJR	9	7.54	8.71	9.73	10.88	11.92	12.88	7.38	8.52	9.53	10.65	11.67	12.60	7.05	8.14	9.10	10.18	11.15	12.04
TJR	12	9.03	10.43	11.66	13.03	14.28	15.42	8.84	10.21	11.41	12.76	13.98	15.10	8.44	9.75	10.90	12.19	13.35	14.42
TER	14	11.29	13.04	14.58	16.30	17.85	19.28	11.05	12.76	14.27	15.95	17.47	18.87	10.56	12.19	13.63	15.24	16.70	18.03
TER	16	13.34	15.40	17.22	19.25	21.09	22.78	13.06	15.08	16.86	18.85	20.65	22.30	12.48	14.41	16.11	18.01	19.73	21.31
TER	21	17.96	20.74	23.19	25.92	28.40	30.67	17.58	20.30	22.70	25.37	27.80	30.02	16.80	19.39	21.68	24.24	26.56	28.69
TER	27	23.09	26.66	29.81	33.33	36.51	39.43	22.60	26.10	29.18	32.62	35.73	38.60	21.59	24.93	27.87	31.16	34.14	36.87
TIR	37	28.22	32.59	36.43	40.73	44.62	48.19	27.62	31.89	35.66	39.87	43.67	47.17	26.39	30.47	34.06	38.08	41.72	45.06
THR	48	35.91	41.47	46.36	51.83	56.78	61.33	35.15	40.59	45.38	50.73	55.58	60.03	33.58	38.77	43.35	48.47	53.09	57.35
THR	60	43.61	50.36	56.30	62.95	68.95	74.48	42.69	49.29	55.11	61.62	67.50	72.91	40.78	47.09	52.64	58.86	64.48	69.64
TMR	60	51.30	59.24	66.23	74.05	81.11	87.61	50.22	57.99	64.83	72.49	79.40	85.77	47.97	55.39	61.93	69.24	75.85	81.92

Standard capacity is rated at 100°F liquid inlet and 40°F evaporator temperature; with 100 psi pressure drop across the TXV per ARI 750-2001.

R-502 BALANCED PORTED VALVES (TONS) B | HF | TFE | TRAE | T-SERIES <CONT'D>

VALVE TYPE	NOMINAL RATING	EVAPORATOR TEMPERATURE																	
		0°F						-20°F						-40°F					
		PRESSURE DROP ACROSS VALVE (PSI)						PRESSURE DROP ACROSS VALVE (PSI)						PRESSURE DROP ACROSS VALVE (PSI)					
		60	80	100	125	150	175	80	100	125	150	175	200	80	100	125	150	175	200
BA/BN	1/4	0.22	0.25	0.28	0.32	0.35	0.38	0.17	0.19	0.21	0.23	0.25	0.27	0.11	0.12	0.14	0.15	0.16	0.17
BA/BN	1/2	0.42	0.48	0.54	0.61	0.66	0.72	0.33	0.37	0.41	0.45	0.49	0.52	0.21	0.23	0.26	0.29	0.31	0.33
BA/BN	1	0.65	0.75	0.84	0.94	1.03	1.11	0.52	0.58	0.65	0.71	0.77	0.82	0.33	0.37	0.41	0.45	0.49	0.52
BA/BN	1-1/4	0.87	1.00	1.12	1.26	1.38	1.49	0.69	0.77	0.86	0.94	1.02	1.09	0.44	0.49	0.55	0.60	0.65	0.70
BA/BN	1-1/2	1.10	1.27	1.42	1.59	1.74	1.88	0.87	0.97	1.09	1.19	1.29	1.38	0.55	0.61	0.69	0.75	0.81	0.87
BA/BN	2	1.34	1.55	1.73	1.93	2.12	2.29	1.05	1.17	1.31	1.44	1.55	1.66	0.67	0.75	0.84	0.92	0.99	1.06
BA/BN	2-1/2	1.73	2.00	2.23	2.50	2.74	2.95	1.36	1.52	1.70	1.86	2.01	2.15	0.87	0.97	1.09	1.19	1.29	1.38
BA/BN	3	2.19	2.53	2.83	3.16	3.46	3.74	1.73	1.93	2.16	2.37	2.56	2.74	1.10	1.23	1.38	1.51	1.63	1.74
BA/BN	4	2.72	3.14	3.51	3.93	4.30	4.65	2.15	2.40	2.69	2.94	3.18	3.40	1.37	1.53	1.71	1.88	2.03	2.17
HF	1/8	0.12	0.14	0.15	0.17	0.19	0.20	0.10	0.11	0.13	0.14	0.15	0.16	0.06	0.07	0.08	0.08	0.09	0.09
HF	1/4	0.23	0.27	0.30	0.33	0.36	0.39	0.18	0.20	0.23	0.25	0.27	0.28	0.12	0.13	0.15	0.16	0.18	0.19
HF	1/2	0.42	0.48	0.54	0.61	0.66	0.72	0.33	0.37	0.41	0.45	0.49	0.52	0.21	0.23	0.26	0.29	0.31	0.33
HF	1	0.64	0.74	0.83	0.92	1.01	1.09	0.50	0.56	0.63	0.68	0.74	0.79	0.32	0.36	0.40	0.44	0.47	0.51
HF	1-1/4	0.86	0.99	1.11	1.24	1.36	1.47	0.68	0.76	0.85	0.93	1.01	1.08	0.43	0.48	0.54	0.59	0.64	0.68
HF	1-1/2	1.10	1.27	1.42	1.59	1.74	1.88	0.87	0.97	1.09	1.19	1.29	1.38	0.55	0.61	0.69	0.75	0.81	0.87
HF	2	1.46	1.69	1.88	2.11	2.31	2.49	1.15	1.29	1.44	1.57	1.70	1.82	0.73	0.82	0.91	1.00	1.08	1.15
HF	3-1/2	2.59	2.99	3.34	3.74	4.10	4.42	1.65	1.84	2.06	2.26	2.44	2.61	1.30	1.45	1.63	1.78	1.92	2.06
HF	5	3.60	4.16	4.65	5.20	5.69	6.15	2.84	3.18	3.55	3.89	4.20	4.49	1.81	2.02	2.26	2.48	2.68	2.86
HF	7	4.56	5.27	5.89	6.58	7.21	7.79	3.60	4.02	4.50	4.93	5.32	5.69	2.29	2.56	2.86	3.14	3.39	3.62
HF	10	6.76	7.81	8.73	9.76	10.69	11.54	5.34	5.97	6.68	7.31	7.90	8.44	3.40	3.80	4.25	4.66	5.03	5.38
HF	13	8.90	10.28	11.49	12.85	14.07	15.20	7.03	7.86	8.79	9.63	10.40	11.12	4.48	5.01	5.60	6.13	6.63	7.08
TFE	5	3.54	4.09	4.57	5.11	5.60	6.05	2.79	3.12	3.49	3.82	4.13	4.41	1.78	1.99	2.23	2.44	2.63	2.81
TFE	7	4.84	5.59	6.25	6.99	7.65	8.27	3.82	4.27	4.78	5.23	5.65	6.04	2.43	2.72	3.04	3.33	3.59	3.84
TFE	9	6.01	6.94	7.76	8.67	9.50	10.26	4.75	5.31	5.94	6.50	7.03	7.51	3.02	3.38	3.78	4.14	4.47	4.78
TFE	14	9.18	10.60	11.85	13.25	14.51	15.68	7.25	8.11	9.06	9.93	10.72	11.46	4.61	5.15	5.76	6.31	6.82	7.29
TRAE+	8	5.20	6.00	6.71	7.51	8.22	8.88	4.11	4.60	5.14	5.63	6.08	6.50	2.62	2.93	3.28	3.59	3.88	4.14
TRAE+	12	7.58	8.75	9.79	10.94	11.99	12.95	5.99	6.70	7.49	8.20	8.86	9.47	3.81	4.26	4.76	5.22	5.64	6.02
TRAE+	14	8.47	9.78	10.93	12.23	13.39	14.47	6.69	7.48	8.36	9.16	9.89	10.58	4.26	4.76	5.33	5.83	6.30	6.74
TRAE+	20	12.83	14.81	16.56	18.52	20.29	21.91	10.13	11.33	12.66	13.87	14.98	16.02	6.45	7.21	8.06	8.83	9.54	10.20
TRAE+	30	17.64	20.37	22.77	25.46	27.89	30.13	13.93	15.57	17.41	19.07	20.60	22.03	8.87	9.92	11.09	12.15	13.12	14.02
TRAE	35	23.81	27.49	30.74	34.37	37.65	40.66	18.80	21.02	23.50	25.74	27.81	29.73	11.97	13.38	14.96	16.39	17.70	18.93
TRAE	40	25.97	29.99	33.53	37.48	41.06	44.35	20.51	22.93	25.64	28.08	30.33	32.43	13.06	14.60	16.33	17.88	19.32	20.65
TRAE	50	30.91	35.69	39.90	44.61	48.87	52.79	24.41	27.29	30.51	33.42	36.10	38.60	15.54	17.37	19.43	21.28	22.98	24.57
TJR	9	6.70	7.74	8.65	9.67	10.59	11.44	7.31	8.17	9.14	10.01	10.81	11.56	6.89	7.70	8.61	9.43	10.19	11.56
TJR	12	8.02	9.26	10.36	11.58	12.68	13.70	8.75	9.78	10.94	11.98	12.94	13.84	8.25	9.22	10.31	11.29	12.20	13.84
TER	14	10.03	11.58	12.95	14.48	15.86	17.13	10.95	12.24	13.68	14.99	16.19	17.31	10.31	11.53	12.89	14.12	15.26	17.31
TER	16	11.85	13.59	15.30	17.11	18.74	20.24	12.93	14.46	16.16	17.71	19.13	20.45	12.19	13.63	15.23	16.69	18.02	20.45
TER	21	15.96	18.43	20.60	23.03	25.23	27.26	17.14	19.47	21.76	23.84	25.75	27.53	16.41	18.35	20.51	22.47	24.27	27.53
TER	27	20.51	23.69	26.48	29.61	32.44	35.04	22.38	25.02	27.98	30.65	33.10	35.39	21.09	23.58	26.37	28.88	31.20	35.39
TIR	37	25.07	28.95	32.37	36.19	39.64	42.82	27.35	30.58	34.19	37.45	40.45	43.25	25.78	28.82	32.22	35.30	38.12	43.25
THR	48	31.90	36.84	41.19	46.05	50.44	54.49	34.81	38.92	43.51	47.66	51.48	55.04	32.80	36.67	41.00	44.92	48.52	55.04
THR	60	38.74	44.74	50.02	55.92	61.26	66.71	42.27	47.26	52.84	57.88	62.52	66.84	39.84	44.54	49.79	54.55	58.92	66.84
TMR	60	45.58	52.63	58.84	65.79	72.07	77.84	49.73	55.60	62.84	68.09	73.55	78.62	46.86	52.39	58.58	64.17	69.31	78.62

REFRIGERANT LIQUID TEMPERATURE VALVE CAPACITY MULTIPLIER CORRECTION FACTORS

	REFRIGERANT LIQUID TEMPERATURE °F														
	0	10	20	30	40	50	60	70	80	90	100	110	120	130	140
R-12	1.60	1.54	1.48	1.42	1.36	1.30	1.24	1.18	1.12	1.06	1.00	0.94	0.88	0.82	0.75
R-134a	1.70	1.63	1.56	1.49	1.42	1.36	1.29	1.21	1.14	1.07	1.00	0.93	0.85	0.78	0.71
R-22	1.56	1.51	1.45	1.40	1.34	1.29	1.23	1.17	1.12	1.06	1.00	0.94	0.88	0.82	0.76
R-404A/R-507	2.00	1.90	1.80	1.70	1.60	1.50	1.40	1.30	1.20	1.10	1.00	0.90	0.80	0.70	0.50
R-450A/R-513A	1.73	1.65	1.58	1.51	1.44	1.36	1.29	1.22	1.15	1.07	1.00	0.93	0.85	0.78	0.70
R-448A/R-449A	1.71	1.64	1.57	1.50	1.43	1.36	1.29	1.22	1.15	1.07	1.00	0.92	0.85	0.77	0.69

These factors include corrections for liquid refrigerant density and net refrigerating effect and are based on an average evaporator temperature of 0°F. However, they may be used for any evaporator temperature from -40°F to +40°F since the variation in the actual factors across this range is insignificant.

R-1234yf BALANCE PORTED VALVES (TONS) B SERIES AND H SERIES

VALVE TYPE	NOMINAL RATING	EVAPORATOR TEMPERATURE																	
		50°F						40°F						20°F					
		PRESSURE DROP ACROSS VALVE (PSI)						PRESSURE DROP ACROSS VALVE (PSI)						PRESSURE DROP ACROSS VALVE (PSI)					
		60	80	100	125	150	175	60	80	100	125	150	175	60	80	100	125	150	175
BA/BN	1/4	0.15	0.17	0.19	0.22	0.24	0.26	0.15	0.17	0.19	0.21	0.23	0.25	0.11	0.13	0.14	0.16	0.18	0.19
BA/BN	1/2	0.29	0.33	0.37	0.41	0.45	0.49	0.28	0.32	0.36	0.40	0.44	0.47	0.21	0.25	0.27	0.31	0.34	0.36
BA/BN	3/4	0.44	0.51	0.57	0.64	0.70	0.76	0.43	0.50	0.56	0.62	0.68	0.74	0.33	0.38	0.43	0.48	0.52	0.57
BA/BN	1	0.59	0.69	0.77	0.86	0.94	1.02	0.58	0.67	0.74	0.83	0.91	0.99	0.44	0.51	0.57	0.64	0.70	0.76
BA/BN	1-1/4	0.75	0.87	0.97	1.08	1.19	1.28	0.73	0.84	0.94	1.05	1.15	1.24	0.56	0.65	0.72	0.81	0.89	0.96
BA/BN	1-1/2	0.91	1.05	1.17	1.31	1.44	1.55	0.88	1.02	1.14	1.27	1.40	1.51	0.68	0.78	0.88	0.98	1.07	1.16
BA/BN	2	1.18	1.36	1.52	1.70	1.86	2.01	1.14	1.32	1.47	1.65	1.81	1.95	0.88	1.01	1.13	1.27	1.39	1.50
BA/BN	2-1/2	1.49	1.72	1.93	2.15	2.36	2.55	1.45	1.67	1.87	2.09	2.29	2.47	1.11	1.29	1.44	1.61	1.76	1.90
BA/BN	3-1/4	1.85	2.14	2.39	2.67	2.93	3.16	1.80	2.08	2.32	2.59	2.84	3.07	1.38	1.60	1.78	1.99	2.18	2.36
HF	1/8	0.08	0.10	0.11	0.12	0.13	0.14	0.08	0.09	0.11	0.12	0.13	0.14	0.06	0.07	0.08	0.09	0.10	0.11
HF	1/4	0.16	0.18	0.21	0.23	0.25	0.27	0.15	0.18	0.20	0.22	0.24	0.26	0.12	0.14	0.15	0.17	0.19	0.20
HF	1/2	0.29	0.33	0.37	0.41	0.45	0.49	0.28	0.32	0.36	0.40	0.44	0.47	0.21	0.25	0.27	0.31	0.34	0.36
HF	3/4	0.44	0.50	0.56	0.63	0.69	0.74	0.42	0.49	0.55	0.61	0.67	0.72	0.32	0.37	0.42	0.47	0.51	0.55
HF	1	0.59	0.68	0.76	0.85	0.93	1.01	0.57	0.66	0.74	0.82	0.90	0.98	0.44	0.51	0.57	0.63	0.69	0.75
HF	1-1/4	0.75	0.87	0.97	1.09	1.19	1.29	0.73	0.84	0.94	1.06	1.16	1.25	0.56	0.65	0.73	0.81	0.89	0.96
HF	1-3/4	0.99	1.15	1.28	1.43	1.57	1.70	0.96	1.11	1.24	1.39	1.52	1.65	0.74	0.86	0.96	1.07	1.17	1.27
HF	3	1.77	2.04	2.28	2.55	2.80	3.02	1.72	1.98	2.22	2.48	2.71	2.93	1.32	1.52	1.70	1.90	2.09	2.25

Standard capacity is rated at 100°F liquid inlet and 40°F evaporator temperature; with 100 psi pressure drop across the TXV.

VALVE TYPE	NOMINAL RATING	EVAPORATOR TEMPERATURE																	
		0°F						-20°F						-40°F					
		PRESSURE DROP ACROSS VALVE (PSI)						PRESSURE DROP ACROSS VALVE (PSI)						PRESSURE DROP ACROSS VALVE (PSI)					
		60	80	100	125	150	175	80	100	125	150	175	200	80	100	125	150	175	200
BA/BN	1/4	0.08	0.09	0.10	0.11	0.12	0.13	0.06	0.06	0.07	0.08	0.08	0.09	0.04	0.04	0.04	0.05	0.05	0.06
BA/BN	1/2	0.14	0.17	0.19	0.21	0.23	0.25	0.11	0.12	0.14	0.15	0.16	0.17	0.07	0.08	0.08	0.09	0.10	0.11
BA/BN	3/4	0.23	0.26	0.29	0.32	0.36	0.38	0.17	0.19	0.21	0.23	0.25	0.27	0.10	0.12	0.13	0.14	0.15	0.17
BA/BN	1	0.30	0.35	0.39	0.43	0.48	0.51	0.23	0.25	0.28	0.31	0.33	0.36	0.14	0.16	0.17	0.19	0.21	0.22
BA/BN	1-1/4	0.38	0.44	0.49	0.55	0.60	0.65	0.29	0.32	0.36	0.39	0.42	0.45	0.18	0.20	0.22	0.24	0.26	0.28
BA/BN	1-1/2	0.46	0.53	0.60	0.67	0.73	0.79	0.35	0.39	0.43	0.47	0.51	0.55	0.21	0.24	0.27	0.29	0.32	0.34
BA/BN	2	0.60	0.69	0.77	0.86	0.94	1.02	0.45	0.50	0.56	0.61	0.66	0.71	0.28	0.31	0.35	0.38	0.41	0.44
BA/BN	2-1/2	0.76	0.87	0.98	1.09	1.20	1.29	0.57	0.63	0.71	0.78	0.84	0.90	0.35	0.39	0.44	0.48	0.52	0.56
BA/BN	3-1/4	0.94	1.08	1.21	1.35	1.48	1.60	0.70	0.79	0.88	0.97	1.04	1.11	0.44	0.49	0.54	0.60	0.64	0.69
HF	1/8	0.04	0.05	0.05	0.06	0.07	0.07	0.03	0.04	0.04	0.04	0.05	0.05	0.02	0.02	0.02	0.03	0.03	0.03
HF	1/4	0.08	0.09	0.10	0.12	0.13	0.14	0.06	0.07	0.08	0.08	0.09	0.10	0.04	0.04	0.05	0.05	0.06	0.06
HF	1/2	0.14	0.17	0.19	0.21	0.23	0.25	0.11	0.12	0.14	0.15	0.16	0.17	0.07	0.08	0.08	0.09	0.10	0.11
HF	3/4	0.22	0.25	0.28	0.32	0.35	0.38	0.17	0.19	0.21	0.23	0.25	0.26	0.10	0.11	0.13	0.14	0.15	0.16
HF	1	0.30	0.34	0.38	0.43	0.47	0.51	0.22	0.25	0.28	0.31	0.33	0.35	0.14	0.15	0.17	0.19	0.20	0.22
HF	1-1/4	0.38	0.44	0.49	0.55	0.60	0.65	0.29	0.32	0.36	0.39	0.42	0.45	0.18	0.20	0.22	0.24	0.26	0.28
HF	1-3/4	0.50	0.58	0.65	0.73	0.80	0.86	0.38	0.42	0.47	0.52	0.56	0.60	0.23	0.26	0.29	0.32	0.35	0.37
HF	3	0.90	1.03	1.16	1.29	1.42	1.53	0.67	0.75	0.84	0.92	1.00	1.06	0.42	0.47	0.52	0.57	0.62	0.66

REFRIGERANT LIQUID TEMPERATURE CORRECTION FACTORS

	REFRIGERANT LIQUID TEMPERATURE °F															
	0	10	20	30	40	50	60	70	80	90	100	110	120	130	140	
R-1234yf	1.89	1.80	1.72	1.63	1.54	1.45	1.36	1.27	1.18	1.09	1.00	0.91	0.82	0.72	0.63	

These factors include corrections for liquid refrigerant density and net refrigerating effect and are based on an average evaporator temperature of 0°F. However, they may be used for any evaporator temperature from -40°F to +40°F since the variation in the actual factors across this range is insignificant.



EX5-U21 800618

EX4-EX8 SERIES ELECTRICAL CONTROL VALVES

The EX4-EX8 Series are bi-polar stepper motor driven valves optimized for the control of liquid or gaseous mass flow in refrigeration systems. Multifunction capability as expansion valve, hot gas bypass, suction gas throttling, head pressure, liquid line actuator and other applications systems.

FEATURES

- Fully hermetic stainless steel design
- Fast full stroke time
- Ceramic slide and port for accurate flow and minimal wear
- High resolution and excellent repeatability
- Bi-directional versions for heat pump applications
- Positive shut-off function to eliminate the use of an additional solenoid valve
- Linear flow capacity
- Wide capacity range (10 - 100%)
- Continuous modulation of mass flow, no stress (liquid hammering) in the refrigeration circuit
- Direct coupling of motor and valve for high reliability (no gear mechanism)

SPECIFICATIONS

CE Marking	EX4/EX5 not required, EX6-EX8 required Cat I, Module A
Maximum Operating Pressure Differential	EX4-EX6: 580 psid (40 bar)
.....	EX7: 507 psid (35 bar)
.....	EX8: 435 psid (30 bar)
Maximum Working Pressure.....	EX4-EX7: 870 psig (60 bar)
.....	EX8: 650 psig (45 bar)
Ambient Temperature	-40°F/C to 130°F (54°C)
Operating Humidity	5 to 95% R.H.
External Leakage	0.1 oz./yr. (R-22)
Connectors	4 pin terminal via plug
Driver Supply Voltage	24 VDC Nominal, Range: 18-36 VDC
Full Travel Time.....	EX4-EX6: 1.5 seconds
.....	EX7: 3.2 seconds
.....	EX8: 5.2 seconds
Total Number of Full Steps	EX4-EX6: 750
.....	EX7: 1600
.....	EX8: 2600
Phase Current (Operating).....	EX4-EX6: 500 mA max
.....	EX7 750 mA
.....	EX8 800 mA
Holding Current	EX4-EX6: 100 mA
.....	EX7: 250 mA
.....	EX8: 500 mA
Nominal Input Power Per Phase	EX4-EX6: 3.5W
.....	EX7-EX8: 5W
Phase Inductance	EX4-EX6: 100 mA
.....	EX7: 250 mA
.....	EX8: 500 mA

EX4-EX8 SERIES STEPPER MOTOR DRIVEN VALVES

DESCRIPTION	INLET CONNECTION (IN)	OUTLET CONNECTION (IN)	MODEL NUMBER	ITEM NUMBER
EX4 Electrical Control Valve	3/8	5/8	EX4-I21 800615	097719
EX5 Electrical Control Valve	5/8	7/8	EX5-U21 800618	097720
EX6 Electrical Control Valve	7/8	1-1/8	EX6-I21 800620	097721
EX7 Electrical Control Valve	1-1/8	1-3/8	EX7-I21 800624	097722
EX8 Electrical Control Valve	1-5/8	1-5/8	EX8-I21 800631	097723
EX4 Bi-Flow Electrical Control Valve	5/8	5/8	EX4-U31 800617	097756
EX5 Bi-Flow Electrical Control Valve	7/8	7/8	EX5-U31 800619	097729
EX6 Bi-Flow Electrical Control Valve	1-1/8	1-1/8	EX6-I31 800622	097757
EX7 Bi-Flow Electrical Control Valve	1-3/8	1-3/8	EX7-U31 800626	097758

EX4-EX8 SERIES PARTS & ACCESSORIES

DESCRIPTION	MODEL NUMBER	ITEM NUMBER
Superheat and/or Temperature Controller for 1 Valve	EXD-SH1 807855	097175
Superheat and/or Temperature Controller for 2 Valves	EXD-SH2 807856	097176
Superheat and/or Temperature Controller kit for 1 Valve (Kit includes 1 each EXD-SH1, EXV-M60, PT5N-18M, PT4-M60, TP1-NP6, EXD-M03, 90-T40F3). Valve not included.	EXD-SH1K	EXD-SH1K
Superheat and/or Temperature Controller kit for 2 Valves (Kit includes 1 each EXD-SH2, EXD-M03, 90-T50F3 and two of each EXV-M60, PT4-M60, TP1-NP6, PT5N-18M). Valve not included.	EXD-SH2K	EXD-SH2K
Universal driver	EXD-U02 808053	808053
3M Cable for supply voltage	EXD-M03 807865	097177
Electronic Expansion Valve Cable and Connector	EXV-M60 804665	097741
Pressure Transmitter able to operate in a vacuum	PT5N-07M 805350	805350
Pressure Transmitter including R-410A	PT5N-18M 805351	805351
Pressure Transmitter including sub-critical R-744, 435 psi	PT5N-30M 805352	805352
Pressure Transmitter including trans-critical R-744, 725 psi	PT5N-50M 805353	805353
6M Plug & Cable Assy for Pressure Transmitter	PT4-M60 804805	097717
Temperature Sensor, 6M Cable	TP1-NP6 804490	804490
Transformer for 1 circuit	90-T40F3	90-T40F3
Transformer 2 circuits	90-T50F3	90-T50F3

EX4-EX8 SERIES NOMINAL CAPACITIES IN TONS 10% - 100% (Based on Capacities Table Conditions Below)

VALVE TYPE	R-407C	R-22	R-134a	R-404A	R-410A	R-23	R-124	R-744
EX4	.6 – 5	.6 – 4.7	.3 – 3.6	.3 – 3.3	.6 – 5.5	.6 – 5.1	.3 – 2.6	.9 – 9.5
EX5	1.4 – 15.1	1.4 – 14.2	1.1 – 11.1	1.1 – 10	1.7 – 16.5	1.4 – 15.4	.9 – 8	2.8 – 29
EX6	4.3 – 35.8	4.3 – 34.1	2.8 – 26.4	2.8 – 23.9	4.3 – 39.8	3.7 – 37	2 – 19.1	6.8 – 69.4
EX7	10 – 98.7	10 – 93.8	7.1 – 72.5	7.1 – 65.4	11.4 – 109.5	—	—	19.9 – 190.5
EX8	28.4 – 263	25.6 – 250.2	19.9 – 193.4	17.1 – 174.3	28.4 – 292	—	—	51.2 – 508.7

CAPACITIES TABLE CONDITIONS

REFRIGERANT	EVAPORATING TEMPERATURE	CONDENSING TEMPERATURE	SUBCOOLING
R-22, R-134a, R-404A, R-410A	+40 °F	+100°F	2°F
R-407C	+40°F dew point	+100°F bubble	2°F
R-124	+68°F	+176°F	2°F
R-23	-76°F	-13°F	2°F
R-744	-40°F	14°F	2°F



Instruction Sheet
with detailed
product drawings

Capacity
Tables (Tons)





EXD-SH2

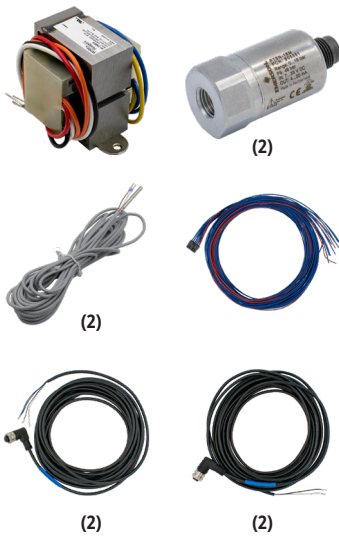
EXD-SH1 & EXD-SH2 SERIES TEMPERATURE & SUPERHEAT CONTROLLERS & KITS

Stand-alone universal superheat and or temperature controllers for air conditioning units or refrigeration systems. Recommended for use with bi-polar EX Series or CV Series expansion valves.

FEATURES

- EXD-SH1 controls one valve and EXD-SH2 can control two valves in two independent circuits
- Functions as a superheat control, temperature control, low pressure switch and freeze protection
- Self-adapting superheat control function in conjunction with Copeland EX4-8 series valves
- Easy system monitoring with Modbus communication
- Integrated keyboard with two line display
- Self adaptive algorithm eliminates need for setting PID control for individual systems
- Flash key to allow quick upload and download of parameters from one configured controller to another
- Multiple function alarms including low/high superheat alarm
- Electrical connection via plug-in type screw terminals
- Controllers sold separately or in pre-assembled kits (EXD-SH1K and EXD-SH2K)

PARTS INCLUDED IN KITS



(2) SIGNIFIES X2 FOR EXD-SH2K

SPECIFICATIONS

Supply Voltage.....24VAC/DC +or-10%, 5%0Hz
 Power Consumption.....EXD-SH1 Max. 25 VA / EXD-SH2 Max. 50 VA
 Terminals 1 to 12..... Suitable for 12 poles molex plug
 Terminals 13 to 36 ... Suitable for removable screw version: wire size 0.005...0.006 in
 TemperaturesStorage: -13°F (-25°C) to 140°F (60°C)
 Operating: 32°F (0°C) to 131°F (55°C)
 Humidity..... 20 to 85% R.H. non condensing
 Mounting DIN RAIL mounting
 Weight 0.71 lbs.
 Housing..... Self-extinguishing ABS
 Protection Class IP 00
 Agency CE, EAC,
 Compliance..... EMC, roHS

INPUT, OUTPUT EXD-SH1, EXD-SH2

DESCRIPTION	SPECIFICATION
Analog input(s): NTC Temperature sensor Analog input: PT1000 Temperature sensor	ECN-N...-49°F (-45°C)...122°F (50°C) sensing range ECN-Z60 sensing range
Analog input(s): 4-20 mA pressure transmitters Analog input(s): 0.5-4.5 V pressure transmitters	PT5N Third party ratio metric pressure transmitters (total error: ≤ 1%)
Digital input(s)	Dry contact, potential free
Digital output(s): Alarm relay(s) Contact closed: During alarm condition Contact open: During normal operation & supply power OFF	Resistive Load 24 VAC/DC, max. 1 A Inductive Load 24 VAC, max. 0.5 A
Communication	RS485 RTU Modbus, two wires
Stepper motor output	Bi-Polar Valves: EX4-8
Refrigerants	R-22; R-134a; R-507; R-404A; R-407C; R-410A; R-124; R-744; R-407A; R-407F; R-23; R-32*; R-1234ze; R-448A; R-449A; R-450A; R-513A

* R-32 IS FOR SYSTEMS/REGIONS WHICH IT DOES NOT CONSIDER R-32 AS POTENTIAL EXPLOSIVE REFRIGERANT (FLAMMABLE OR LOW FLAMMABLE) AND PED/CE MARKING IS NOT REQUIRED.

EXD-SH1 & EXD-SH2 CONTROLLERS & KITS

DESCRIPTION	MODEL NUMBER	ITEM NUMBER
EXD-SH1 is a Superheat and/or Temperature Controller for a single EX4-8 or CV4-6 valves	EXD-SH1 807855	097175
EXD-SH2 is a Superheat and/or Temperature Controller with Second Circuit Superheat Control for Two EX4-8 or CV4-6 valves	EXD-SH2 807856	097176
EXD-SH1K Superheat and/or Temperature Controller kit for single EX4-8 valve (Kit includes 1 each EXD-SH1, EXV-M60, PT5N-18M, PT4-M60, TP1-NP6, EXD-M03, 90-T40F3). Valve not included.	EXD-SH1K	EXD-SH1K
Superheat and/or Temperature Controller kit for 2 Valves (Kit includes 1 each EXD-SH2, EXD-M03, 90-T50F3 and two of each EXV-M60, PT4-M60, TP1-NP6, PT5N-18M). Valve not included.	EXD-SH2K	EXD-SH2K

EXD-SH1 & EXD-SH2 PARTS AND ACCESSORIES

DESCRIPTION	MODEL NUMBER	ITEM NUMBER
12 pin Molex Plug with 3 Meter Cable for EXD-SH1 and EXD-SH2 for Supply Voltage, Temperature Sensor 1 and 2, PT5 Circuit 1 and 2, Vdc and Ground	EXD-M03 807865	097177
Electronic Expansion Valve Cable and Connector	EXV-M60 804665	097741
Pressure Transmitter for applications needed to operate in a vacuum*	PT5N-07M 805350	805350
Pressure Transmitter for refrigerants including R-410A	PT5N-18M 805351	805351
Pressure Transmitter for refrigerants including subcritical R-744*, 435 psi	PT5N-30M 805352	805352
Pressure Transmitter for refrigerants including transcritical R-744*, 725 psi	PT5N-50M 805353	805353
6 Meter Long Plug and Cable Assembly for PT5 Pressure Transmitter	PT4-M60 804805	097717
Electronic Expansion Valve Temperature Sensor with a 6 Meter Cable	TP1-NP6 804490	804490
Transformer 12/208/240 Primary, 24V Secondary 40VA, for 1 circuit	90-T40F3	90-T40F3
Transformer 12/208/240 Primary, 24V Secondary 50VA, for 2 circuits	90-T50F3	90-T50F3

* NOT INCLUDED IN KIT



EXD-U02 808053

EXD-U02 UNIVERSAL DRIVER MODULE

The EXD-U02 is a universal driver that enables the operation of Copeland EX4 - EX8 and CV4 - CV6 stepper motor driven valves used in applications such as solenoid valves, electronic expansion valves, hot gas bypass or evaporator pressure regulator as capacity control, crankcase pressure regulator, heat reclaim regulator, and liquid level control.

FEATURES

- Plug and play, no parameter settings required
- Digital input can be used to force valve closing
- Dip-switches for selection of electronic control valve type, analog input and start mode
- Step recovery function
- Direct replacement for EXD-U01

SPECIFICATIONS

Supply voltage 24 VAC ±10%, 50-60 Hz
NOTE: 24 VDC supply voltage can be used but it results to lower MOPD and it needs to be verified by system manufacturer
 Supply current To be protected by a 1.0A external fuse
 Power consumption 10VA in conjunction with electronic valve
 Temperature Storage: -4°F to 149°F (-20° C to 65°C)
 Operating: 32°F to +140°F (0°C to 60°C)
 Humidity < 90% R.H. non condensing
 Approvals EMC EN 61326-1, EN50081, EN50082
 Marking CE, UKCA, EAC
 Protection class IP20
 Input analogue signal 4-20 mA or 0-10V
 Burden 364 Ω
 Impedence 24KΩ
 Digital input 24V AC ±10%, 50-60Hz, 24V DC ±10%
 Connection to EX4-8 and CV4-6 Via 4 wires cable, AWG 2½2
 Connector Screw terminals for wire size 0.5-2.5 mm2
 Mounting DIN rail mounted
 Housing Aluminum

EXD-U02 UNIVERSAL DRIVER MODULE

DESCRIPTION	MODEL NUMBER	ITEM NUMBER
Universal Driver Module with Terminal Kit for EX4-EX8 and CV4-CV6	EXD-U02 808053	808053



INSTALLATION INSTRUCTIONS

APPLICATION & TECHNICAL INFORMATION





PT5N-07M 805350

PRESSURE TRANSMITTERS

Pressure Transmitters convert pressure into a linear electric output signal that is optimized for refrigeration applications

FEATURES

- Pressure sensitive piezo-based cell with strong primary output signal for precise operation
- Compact dimensions
- Vibration, shock and pulsation resistant
- Reduced full scale error over complete temperature range
- Sealed gauge absolute pressure reference for increased accuracy independent of atmospheric pressure variation
- Output signal is 4 to 20 mA
- Calibrated for specific temperature and pressure ranges to fulfill application demands in air conditioning and refrigeration systems
- Easy-to-install M12 electrical connection with pre-assembled cable assembly
- Pressure connector 7/16-20 UNF with Schrader valve

SPECIFICATIONS

Supply Voltage: Nominal 24 VDC Range (polarity protected) 7 – 30 VDC
 Permissible Noise & Ripple: < 1 Vp-p
 Influence of Supply Voltage: < 0.02 % FS/V
 Operating Current: 4 to 20 mA output, Max. ≤ 24 mA
 Load Resistance: $RL \leq U_b - 8.0V \cdot 0.02A$
 Mounting Position: Non-position sensitive
 Response Time: <5 ms
 Temperatures: Ambient: -40°F/C to 176°F (80°C)
 Medium: -58°F (-50°C) to 212°F (100°C)
 Storage: -40°F/C to 185°F (85°C)
 Sensor Life: ≥10,000,000 cycles full stroke at 77°F (25°C)
 Burst Pressure: 805350 = 2,176 psi (150 bar)
 805351 and 805352 = 3,626 psi (250 bar)
 Approvals: CE marking according to PED, not allowed (SEP)
 CE marking according to EMC, CE marked
 Vibration at 10 – 2000 Hz: Max. 4 g

PRESSURE TRANSMITTERS

DESCRIPTION	PRESSURE RANGE	MODEL NUMBER	ITEM NUMBER
For use with various refrigerants and is able to operate in a vacuum	22"Hg - 100psi	PT5N-07M 805350	805350
For various refrigerants including R-410A	0 - 261psi	PT5N-18M 805351	805351
For subcritical R-744	0 - 435psi	PT5N-30M 805352	805352
For transcritical R-744	0 - 725psi	PT5N-50M 805353	805353

PRESSURE TRANSMITTERS PARTS AND ACCESSORIES

DESCRIPTION	MODEL NUMBER	ITEM NUMBER
3 Meter Long Plug and Cable Assembly for Pressure Transmitter Connection to Superheat and/or Temperature Controllers	PT4-M30 804804	097781
12 Pin Molex 6 Meter Long Plug and Cable Assembly for Pressure Transmitter Connection to Superheat and/or Temperature Controllers	PT4-M60 804805	097717

ELECTRONIC EXPANSION VALVES CAPACITY TABLES

R-22 EXTENDED CAPACITIES (TONS) - EX4-8 SERIES, AS EXPANSION AND LIQUID INJECTION VALVES

The following tables provide the capacity of valves at different conditions considering 20 psi pressure drop through liquid line:

VALVE TYPE	CONDENSING TEMPERATURE (°F)	EVAPORATING TEMPERATURE (°F)											
		60	50	40	30	20	10	0	-10	-20	-30	-40	-50
EX4	140	5	5	5	5	5	5	5	5	5	5	5	5
EX5		15	15	15	16	16	16	16	15	15	15	15	15
EX6		35	36	37	37	38	38	37	37	37	36	36	35
EX7		97	100	101	102	103	104	103	102	102	100	98	96
EX8		260	266	270	273	275	276	272	271	266	262	262	257
EX4	130	5	5	5	5	5	5	5	5	5	5	5	5
EX5		14	15	15	15	16	16	16	15	15	15	15	15
EX6		34	35	36	37	37	37	37	37	37	37	36	36
EX7		94	97	100	101	102	103	102	102	101	101	99	98
EX8		251	258	266	270	273	274	273	273	270	268	264	260
EX4	120	4	5	5	5	5	5	5	5	5	5	5	5
EX5		14	14	15	15	15	15	16	15	15	15	15	15
EX6		33	34	35	36	37	37	37	37	37	37	37	36
EX7		90	94	97	99	100	102	103	102	102	101	100	99
EX8		240	250	259	264	268	272	274	272	271	270	268	263
EX4	110	4	4	5	5	5	5	5	5	5	5	5	5
EX5		12	13	14	14	15	15	15	15	15	15	15	15
EX6		30	32	34	34	35	36	36	36	37	36	36	36
EX7		82	88	92	95	98	99	100	100	101	99	99	98
EX8		219	234	246	253	260	263	266	266	268	265	263	261
EX4	100	4	4	4	5	5	5	5	5	5	5	5	5
EX5		11	12	13	14	14	15	15	15	15	15	15	15
EX6		27	29	31	33	34	35	35	36	36	36	35	35
EX7		74	81	87	91	93	96	97	98	98	98	98	97
EX8		197	216	231	242	249	256	259	263	263	262	260	258
EX4	90	3	4	4	4	4	5	5	5	5	5	5	5
EX5		9	11	12	13	13	14	14	14	14	14	14	14
EX6		22	26	29	31	32	33	34	34	35	35	35	34
EX7		61	71	78	84	87	91	93	94	95	95	95	94
EX8		163	190	209	224	233	242	249	251	255	254	253	251
EX4	80	2	3	3	4	4	4	4	4	5	5	5	5
EX5		7	9	10	11	12	13	13	14	14	14	14	14
EX6		16	21	25	27	29	30	32	33	33	33	33	33
EX7		44	58	68	75	81	84	87	89	90	91	91	91
EX8		117	156	182	201	215	224	233	239	240	243	243	241
EX4	70	—	2	3	3	4	4	4	4	4	4	4	4
EX5		—	6	8	10	11	12	12	13	13	13	13	13
EX6		—	15	20	24	26	28	30	31	31	32	32	32
EX7		—	40	55	65	72	77	81	84	85	87	88	87
EX8		—	108	147	173	191	205	217	224	227	231	234	233
EX4	60	—	—	2	3	3	3	4	4	4	4	4	4
EX5		—	—	6	8	9	10	11	12	12	12	12	12
EX6		—	—	13	19	22	25	27	28	29	29	30	30
EX7		—	—	36	51	61	68	74	76	79	81	82	82
EX8		—	—	97	137	163	182	196	204	211	216	219	219
EX4	50	—	—	—	2	2	3	3	3	4	4	4	4
EX5		—	—	—	5	7	9	10	11	11	11	12	12
EX6		—	—	—	11	17	21	23	25	26	27	28	28
EX7		—	—	—	31	47	57	65	69	73	74	76	77
EX8		—	—	—	83	126	152	172	185	194	199	203	206

R-23 EXTENDED CAPACITIES (TONS) - EX4-8 SERIES, AS EXPANSION AND LIQUID INJECTION VALVES

The following tables provide the capacity of valves at different conditions considering 20 psi pressure drop through liquid line:

VALVE TYPE	CONDENSING TEMPERATURE (°F)	EVAPORATING TEMPERATURE (°F)									
		-50	-60	-70	-80	-90	-100	-110	-120	-130	-140
EX4	0	5	5	5	5	5	5	5	5	5	5
EX5		14	15	15	16	16	16	16	16	16	16
EX6		33	35	36	38	38	39	39	39	39	38
EX4	-10	4	4	5	5	5	5	5	5	5	5
EX5		12	13	14	15	15	15	16	15	16	15
EX6		29	32	34	35	36	37	37	37	37	37
EX4	-20	3	4	4	4	5	5	5	5	5	5
EX5		10	12	13	14	14	15	15	15	15	15
EX6		24	28	31	33	34	35	36	36	36	36
EX4	-30	2	3	4	4	4	4	5	5	5	5
EX5		7	9	11	12	13	13	14	14	14	14
EX6		17	23	26	29	31	32	33	33	33	34
EX4	-40	—	2	3	3	4	4	4	4	4	4
EX5		—	6	9	10	11	12	12	13	13	13
EX6		—	16	21	25	27	29	30	31	31	31
EX4	-50	—	—	2	3	3	3	4	4	4	4
EX5		—	—	5	8	9	10	11	11	12	12
EX6		—	—	13	19	23	25	26	27	28	28

R-124 EXTENDED CAPACITIES (TONS) - EX4-8 SERIES, AS EXPANSION AND LIQUID INJECTION VALVES

The following tables provide the capacity of valves at different conditions considering 20 psi pressure drop through liquid line:

VALVE TYPE	CONDENSING TEMPERATURE (°F)	EVAPORATING TEMPERATURE (°F)				
		80	70	60	50	40
EX4	210	2	2	2	2	2
EX5		6	6	6	5	5
EX6		15	14	13	13	12
EX4	200	2	2	2	2	2
EX5		7	6	6	6	6
EX6		16	15	15	14	14
EX4	190	2	2	2	2	2
EX5		7	7	7	7	6
EX6		17	17	17	16	15
EX4	180	3	2	2	2	2
EX5		8	8	7	7	7
EX6		18	18	18	17	17
EX4	170	3	3	2	2	2
EX5		8	8	8	7	7
EX6		18	18	18	18	17
EX4	160	3	3	3	3	3
EX5		8	8	8	8	8
EX6		18	19	19	18	18
EX4	150	2	2	3	3	3
EX5		7	8	8	8	8
EX6		18	18	18	18	18



R-134A EXTENDED CAPACITIES (TONS) - EX4-8 SERIES, AS EXPANSION AND LIQUID INJECTION VALVES

The following tables provide the capacity of valves at different conditions considering 20 psi pressure drop through liquid line:

VALVE TYPE	CONDENSING TEMPERATURE (°F)	EVAPORATING TEMPERATURE (°F)								
		60	50	40	30	20	10	0	-10	-20
EX4	140	4	4	4	4	4	4	4	3	3
EX5		11	11	11	11	11	11	11	11	10
EX6		27	27	27	27	27	26	26	25	25
EX7		74	75	75	75	73	73	71	69	68
EX8		197	200	200	199	196	194	190	185	181
EX4	130	4	4	4	4	4	4	4	4	3
EX5		11	11	11	11	11	11	11	11	10
EX6		26	26	27	27	27	27	26	26	25
EX7		72	73	74	74	73	73	72	70	69
EX8		191	194	198	197	196	194	192	187	183
EX4	120	3	4	4	4	4	4	4	4	4
EX5		10	11	11	11	11	11	11	11	11
EX6		25	26	26	27	27	27	26	26	25
EX7		68	71	73	73	73	73	72	71	70
EX8		182	188	194	196	195	195	193	189	186
EX4	110	3	3	3	4	4	4	4	4	3
EX5		10	10	11	11	11	11	11	11	11
EX6		23	24	25	26	26	26	26	26	25
EX7		63	65	69	70	71	71	71	70	69
EX8		168	176	183	187	189	191	189	188	184
EX4	100	3	3	3	3	3	3	3	3	3
EX5		9	9	10	10	10	11	11	11	10
EX6		20	22	24	24	25	25	25	25	25
EX7		56	60	65	67	69	69	69	69	68
EX8		149	161	173	178	183	184	185	184	182
EX4	90	2	3	3	3	3	3	3	3	3
EX5		7	8	9	9	10	10	10	10	10
EX6		16	19	21	22	23	24	24	24	24
EX7		44	52	58	61	64	66	66	66	66
EX8		118	139	153	163	170	175	177	176	177
EX4	80	1	2	2	3	3	3	3	3	3
EX5		4	6	7	8	9	9	9	10	10
EX6		10	15	18	20	21	22	23	23	23
EX7		27	40	49	54	58	60	62	62	63
EX8		72	107	130	144	154	160	165	166	167
EX4	70	—	1	2	2	3	3	3	3	3
EX5		—	3	6	7	8	8	9	9	9
EX6		—	8	13	16	18	20	21	21	22
EX7		—	22	37	45	50	54	57	59	59
EX8		—	58	98	120	134	145	152	156	158
EX4	60	—	—	1	2	2	2	3	3	3
EX5		—	—	2	5	6	7	8	8	8
EX6		—	—	5	12	15	17	18	19	20
EX7		—	—	14	32	40	46	50	52	53
EX8		—	—	38	84	107	122	133	139	143
EX4	50	—	—	—	—	1	2	2	2	2
EX5		—	—	—	—	4	5	6	7	7
EX6		—	—	—	—	9	13	15	16	17
EX7		—	—	—	—	26	36	42	45	48
EX8		—	—	—	—	69	95	111	120	128

R-404A/R-507 EXTENDED CAPACITIES (TONS) - EX4-8 SERIES, AS EXPANSION AND LIQUID INJECTION VALVES

The following tables provide the capacity of valves at different conditions considering 20 psi pressure drop through liquid line:

VALVE TYPE	CONDENSING TEMPERATURE (°F)	EVAPORATING TEMPERATURE (°F)											
		60	50	40	30	20	10	0	-10	-20	-30	-40	-50
EX4	130	3	3	3	3	3	3	3	3	3	2	2	2
EX5		9	9	9	9	9	9	8	8	8	8	7	7
EX6		21	21	22	21	21	21	20	20	19	18	17	16
EX7		58	59	59	58	58	57	56	54	52	50	48	45
EX8		153	156	157	156	154	152	148	143	139	133	127	120
EX4	120	3	3	3	3	3	3	3	3	3	3	3	3
EX5		9	9	9	10	9	9	9	9	9	9	8	8
EX6		22	22	23	23	23	23	22	22	21	20	20	19
EX7		59	61	62	63	62	62	61	60	58	56	54	52
EX8		158	162	165	168	166	165	163	169	165	149	144	138
EX4	110	3	3	3	3	3	3	3	3	3	3	3	3
EX5		9	9	10	10	10	10	10	9	9	9	9	8
EX6		21	22	23	23	23	23	23	23	22	22	21	20
EX7		58	60	63	63	64	64	63	62	61	59	58	56
EX8		153	161	167	168	170	171	168	165	163	158	154	148
EX4	100	3	3	3	3	3	3	3	3	3	3	3	3
EX5		8	9	9	10	10	10	10	10	10	10	9	9
EX6		20	21	23	23	24	24	24	24	23	23	22	22
EX7		54	59	62	64	65	66	66	66	64	63	62	59
EX8		145	156	165	171	174	175	176	173	171	168	164	158
EX4	90	2	3	3	3	3	3	3	3	3	3	3	3
EX5		7	8	9	9	10	10	10	10	10	10	10	9
EX6		17	20	21	23	23	24	24	24	24	23	23	23
EX7		48	54	58	62	64	65	66	66	66	64	63	62
EX8		127	144	156	164	170	173	176	176	175	171	169	165
EX4	80	2	2	3	3	3	3	3	3	3	3	3	3
EX5		6	7	8	9	9	10	10	10	10	10	10	9
EX6		13	17	19	21	22	23	23	24	24	23	23	23
EX7		37	46	53	58	61	63	64	65	65	64	63	62
EX8		98	124	142	154	162	168	171	173	172	171	169	166
EX4	70	1	2	2	3	3	3	3	3	3	3	3	3
EX5		2	5	7	8	9	9	9	10	10	10	10	10
EX6		6	13	17	19	21	22	23	23	24	23	23	23
EX7		16	35	46	52	57	60	62	64	64	64	64	63
EX8		42	94	122	138	152	160	166	170	172	170	170	168
EX4	60	—	1	2	2	2	3	3	3	3	3	3	3
EX5		—	2	5	7	8	8	9	9	9	9	9	9
EX6		—	4	12	16	18	20	21	22	22	22	23	22
EX7		—	11	33	43	50	55	58	60	61	62	62	61
EX8		—	30	89	116	133	146	155	159	163	164	165	162
EX4	50	—	—	—	2	2	2	3	3	3	3	3	3
EX5		—	—	—	5	6	7	8	9	9	9	9	9
EX6		—	—	—	11	15	18	19	20	21	21	22	22
EX7		—	—	—	31	42	48	53	56	58	59	60	59
EX8		—	—	—	82	111	128	142	149	154	157	160	158
EX4	40	—	—	—	—	1	2	2	2	3	3	3	3
EX5		—	—	—	—	4	6	7	8	8	8	8	9
EX6		—	—	—	—	10	14	17	18	19	20	20	21
EX7		—	—	—	—	27	38	46	50	53	55	56	56
EX8		—	—	—	—	72	102	122	133	142	146	149	150

R-407C EXTENDED CAPACITIES (TONS) - EX4-8 SERIES, AS EXPANSION AND LIQUID INJECTION VALVES

The following tables provide the capacity of valves at different conditions considering 20 psi pressure drop through liquid line:

VALVE TYPE	CONDENSING TEMPERATURE BUBBLE POINT (°F)	EVAPORATING TEMPERATURE (°F)							
		60	50	40	30	20	10	0	-10
EX4	140	5	5	5	5	5	5	5	5
EX5		14	15	15	15	15	15	14	14
EX6		34	35	35	35	35	35	34	33
EX7		95	97	97	97	96	95	94	92
EX8		253	257	258	259	256	255	250	244
EX4	130	5	5	5	5	5	5	5	5
EX5		15	15	15	15	15	15	15	14
EX6		35	35	36	36	36	35	35	34
EX7		95	96	98	98	98	97	96	94
EX8		253	257	261	261	261	260	256	252
EX4	120	5	5	5	5	5	5	5	5
EX5		14	15	15	15	15	15	15	15
EX6		34	35	36	36	36	36	36	36
EX7		93	96	99	99	99	100	99	98
EX8		249	256	264	265	265	266	264	261
EX4	110	4	5	5	5	5	5	5	5
EX5		14	14	15	15	15	15	15	15
EX6		33	34	35	35	36	36	36	35
EX7		90	93	96	97	99	99	99	98
EX8		239	248	255	260	263	264	263	260
EX4	100	4	4	5	5	5	5	5	5
EX5		13	14	14	15	15	15	15	15
EX6		30	32	34	35	35	36	36	36
EX7		84	89	94	96	98	9	99	98
EX8		224	239	250	256	260	263	254	262
EX4	90	4	4	4	5	5	5	5	5
EX5		11	13	13	14	14	15	15	15
EX6		27	30	32	33	34	35	35	35
EX7		75	83	87	92	94	96	97	96
EX8		201	220	233	244	250	256	259	257
EX4	80	3	4	4	4	4	5	5	5
EX5		10	11	12	13	13	14	14	14
EX6		23	26	29	31	32	33	34	34
EX7		63	73	80	85	88	91	93	93
EX8		169	193	212	227	235	243	247	248
EX4	70	2	3	4	4	4	4	4	4
EX5		7	9	11	12	13	13	14	14
EX6		17	22	26	28	30	31	32	33
EX7		47	61	71	77	83	87	89	90
EX8		125	164	190	206	220	231	236	239
EX4	60	0	2	3	3	4	4	4	4
EX5		2	7	9	10	11	12	13	13
EX6		4	16	21	24	27	29	30	31
EX7		10	43	58	67	74	79	82	85
EX8		26	115	154	179	197	211	219	225
EX4	50	—	—	2	3	3	4	4	4
EX5		—	—	6	8	10	11	12	12
EX6		—	—	15	20	23	26	27	29
EX7		—	—	40	55	64	70	75	79
EX8		--	—	107	146	170	187	201	210

R-410A EXTENDED CAPACITIES (TONS) - EX4-8 SERIES, AS EXPANSION AND LIQUID INJECTION VALVES

The following tables provide the capacity of valves at different conditions considering 20 psi pressure drop through liquid line:

VALVE TYPE	CONDENSING TEMPERATURE (°F)	EVAPORATING TEMPERATURE (°F)											
		60	50	40	30	20	10	0	-10	-20	-30	-40	-50
EX4	140	5	5	5	5	5	5	5	5	5	5	5	5
EX5		15	15	16	16	16	16	16	16	15	15	15	15
EX6		36	37	38	38	38	38	38	38	37	37	36	35
EX7		99	102	104	105	105	105	105	104	103	101	99	97
EX8		265	271	277	279	281	281	280	277	274	269	264	258
EX4	130	5	5	5	5	6	6	6	6	5	5	5	5
EX5		15	16	16	16	17	17	17	17	16	16	16	16
EX6		37	38	39	40	40	40	40	40	40	39	39	38
EX7		101	105	107	109	110	110	111	110	109	108	106	104
EX8		269	279	285	292	293	295	296	294	291	288	283	277
EX4	120	5	5	6	6	6	6	6	6	6	6	6	6
EX5		15	16	17	17	17	17	17	17	17	17	17	17
EX6		37	39	40	41	42	42	42	42	42	42	41	40
EX7		101	106	110	112	114	115	116	116	116	114	113	111
EX8		270	283	293	299	305	308	309	310	309	305	301	297
EX4	110	5	5	5	6	6	6	6	6	6	6	6	6
EX5		15	15	16	17	17	17	18	18	18	17	17	17
EX6		35	37	39	40	42	42	43	43	43	42	42	41
EX7		96	102	107	111	114	115	117	118	117	116	115	113
EX8		257	273	286	297	305	308	313	314	313	309	308	303
EX4	100	5	5	5	6	6	6	6	6	6	6	6	6
EX5		14	15	16	17	17	17	18	18	18	18	18	18
EX6		33	36	38	40	41	42	43	43	43	43	43	42
EX7		90	98	105	110	113	116	118	119	119	118	118	116
EX8		240	261	281	294	301	308	315	316	316	315	316	311
EX4	90	4	4	5	5	5	6	6	6	6	6	6	6
EX5		12	13	15	16	16	17	17	18	18	18	18	18
EX6		28	33	36	38	40	41	42	42	43	43	43	43
EX7		78	89	98	104	109	112	116	116	118	118	118	117
EX8		207	239	260	277	290	300	308	311	314	314	315	313
EX4	80	3	4	4	5	5	5	6	6	6	6	6	6
EX5		9	12	13	15	15	16	17	17	17	17	17	17
EX6		22	28	32	35	37	39	40	41	42	42	42	42
EX7		61	77	87	97	103	107	111	113	114	116	115	114
EX8		163	204	233	257	274	286	297	300	305	309	308	305
EX4	70	2	3	4	4	5	5	5	5	6	6	6	6
EX5		5	9	11	13	14	15	16	16	17	17	17	17
EX6		11	21	27	31	34	37	39	39	40	41	41	41
EX7		31	59	75	86	94	101	106	108	111	112	114	113
EX8		84	157	201	230	251	270	284	289	295	300	303	301
EX4	60	—	1	3	4	4	5	5	5	5	5	5	5
EX5		—	4	8	11	13	14	15	15	16	16	16	16
EX6		—	10	20	26	30	33	36	37	38	39	40	39
EX7		—	27	56	72	84	92	98	102	105	108	109	109
EX8		—	72	150	192	224	245	262	273	281	287	291	290
EX4	50	—	—	1	3	3	4	4	5	5	5	5	5
EX5		—	—	3	8	10	12	14	14	15	15	16	16
EX6		—	—	8	19	25	29	33	35	36	37	38	38
EX7		—	—	21	53	69	80	90	95	99	102	104	104
EX8		—	—	57	143	185	214	239	254	265	272	278	277

R-448A EXTENDED CAPACITIES (TONS) - EX4-8 SERIES, AS EXPANSION AND LIQUID INJECTION VALVES

The following tables provide the capacity of valves at different conditions considering 20 psi pressure drop through liquid line:

VALVE TYPE	CONDENSING TEMPERATURE (°F)	EVAPORATING TEMPERATURE (°F)														
		50	40	32	25	15	0	-10	-20	-30	-40	-50	-60	-70	-80	-95
EX4	140	4.3	4.3	4.3	4.3	4.3	4.2	4.1	4.0	3.9	3.7	3.6	3.5	3.3	3.2	2.9
EX5		13.1	13.1	13.1	13.1	12.8	12.7	12.3	12.0	11.7	11.4	11.0	10.4	10.2	9.8	9.0
EX6		31.3	31.6	31.6	31.3	31.0	30.3	29.6	28.9	28.0	27.3	26.3	25.1	24.2	23.2	21.5
EX7		86.4	86.7	86.7	86.3	85.4	83.4	81.6	79.5	77.3	74.8	72.2	69.4	66.5	63.7	59.1
EX8		230.3	231.2	230.9	229.9	227.5	222.1	217.4	211.9	205.9	199.3	192.4	185.0	177.4	169.4	157.6
EX4	120	4.5	4.5	4.6	4.6	4.6	4.6	4.5	4.4	4.3	4.2	4.1	4.0	3.9	3.7	3.6
EX5		13.3	13.7	14.0	14.0	14.0	13.9	13.5	13.5	13.2	12.9	12.6	12.2	11.7	11.4	10.9
EX6		32.4	33.1	33.3	33.4	33.4	33.0	32.8	32.2	31.6	31.0	30.0	29.1	28.2	27.3	25.8
EX7		88.9	90.6	91.4	91.8	92.0	91.1	90.0	88.6	86.8	84.9	82.7	80.2	77.8	75.2	71.2
EX8		237.1	241.9	244.2	245.2	245.4	243.0	240.2	236.1	231.6	226.1	220.5	214.1	207.3	200.7	189.7
EX4	100	4.2	4.4	4.5	4.5	4.6	4.6	4.6	4.6	4.5	4.4	4.4	4.3	4.2	4.1	3.9
EX5		12.6	13.2	13.5	13.8	13.9	13.9	13.9	13.9	13.7	13.4	13.1	12.8	12.5	12.2	11.7
EX6		30.5	31.8	32.4	32.9	33.3	33.5	33.6	33.1	32.8	32.3	31.7	31.0	30.2	29.6	28.2
EX7		83.7	87.3	89.3	90.6	91.8	92.3	92.0	91.3	90.2	88.7	87.2	85.3	83.3	80.9	77.6
EX8		223.3	232.7	238.1	241.6	244.6	246.2	245.4	243.6	240.6	236.9	232.4	227.4	221.9	216.1	207.1
EX4	85	3.7	4.0	4.1	4.3	4.4	4.5	4.5	4.5	4.5	4.4	4.4	4.3	4.2	4.1	4.0
EX5		11.2	11.9	12.7	13.0	13.3	13.6	13.6	13.6	13.7	13.4	13.3	13.0	12.7	12.4	11.9
EX6		26.6	28.9	30.2	31.2	32.0	32.8	33.0	32.7	32.7	32.4	31.8	31.1	30.5	29.9	28.9
EX7		73.4	79.3	83.0	85.4	87.9	89.9	90.3	90.4	89.9	88.7	87.4	86.1	84.1	82.2	79.4
EX8		195.7	211.9	221.3	227.6	234.3	239.7	241.0	240.8	239.2	236.7	233.3	229.4	224.6	219.7	211.4
EX4	70	2.8	3.3	3.6	3.8	4.0	4.2	4.3	4.3	4.3	4.3	4.3	4.2	4.1	4.1	3.9
EX5		8.4	10.0	11.0	11.5	12.1	12.9	13.0	13.2	13.2	13.2	12.9	12.8	12.5	12.5	11.8
EX6		20.3	24.1	26.3	27.7	29.4	30.7	31.3	31.6	31.6	31.3	31.2	30.7	30.1	29.7	28.5
EX7		55.6	66.1	72.1	76.2	80.6	84.6	86.2	86.9	86.8	86.3	85.5	84.3	82.8	81.0	78.3
EX8		148.6	176.5	192.5	203.3	214.7	225.5	229.5	231.3	231.4	230.4	228.0	224.8	221.0	216.4	208.8
EX4	60	2.8	3.1	3.3	3.5	3.7	3.8	3.9	4.0	4.0	4.1	4.1	4.1	4.1	4.1	4.1
EX5		8.4	9.5	10.1	10.5	11.0	11.7	11.8	12.1	12.3	12.4	12.3	12.4	12.4	12.5	12.4
EX6		20.3	22.8	24.4	25.3	26.6	27.8	28.5	29.1	29.4	29.4	29.8	29.8	29.8	29.9	29.7
EX7		55.6	62.6	66.7	69.7	73.1	76.7	78.5	79.8	80.6	81.3	81.7	81.9	81.9	81.8	81.6
EX8		148.4	167.0	178.2	186.1	194.9	204.6	209.2	212.5	214.9	216.7	217.7	218.3	218.5	218.3	217.5
EX4	50	2.9	3.0	3.1	3.2	3.2	3.4	3.5	3.6	3.6	3.7	3.8	3.9	4.0	4.1	4.2
EX5		8.9	9.1	9.4	9.6	9.8	10.2	10.5	10.8	11.0	11.3	11.6	11.9	12.1	12.4	12.8
EX6		21.4	22.0	22.6	23.0	23.6	24.6	25.3	25.9	26.5	27.2	27.8	28.5	29.1	29.8	30.7
EX7		58.8	60.5	62.0	63.2	65.0	67.7	69.4	71.2	73.0	74.8	76.6	78.3	80.1	81.9	84.6
EX8		156.9	161.6	165.4	168.7	173.4	180.4	185.1	189.8	194.6	199.3	204.0	208.7	213.4	218.1	225.2
EX4	32	2.2	2.3	2.4	2.5	2.6	2.7	2.9	3.0	3.1	3.2	3.3	3.4	3.5	3.7	3.8
EX5		6.7	7.0	7.3	7.5	7.9	8.4	8.7	9.0	9.4	9.7	10.0	10.4	10.7	11.0	11.5
EX6		15.8	16.7	17.3	17.9	18.7	20.0	20.8	21.7	22.5	23.3	24.2	25.0	25.9	26.7	27.9
EX7		43.4	45.7	47.6	49.2	51.5	55.0	57.3	59.6	61.9	64.2	66.5	68.8	71.1	73.4	76.9
EX8		115.9	122.0	126.9	131.2	137.3	146.5	152.6	158.7	164.9	171.0	177.1	183.2	189.3	195.5	204.6
EX4	15	—	1.3	1.4	1.6	1.7	1.9	2.1	2.2	2.4	2.5	2.7	2.8	3.0	3.1	3.4
EX5		—	4.0	4.3	4.6	5.1	5.8	6.2	6.7	7.2	7.6	8.1	8.5	9.0	9.5	10.1
EX6		—	9.6	10.5	11.2	12.3	14.0	15.1	16.2	17.3	18.3	19.4	20.5	21.6	22.7	24.3
EX7		—	26.3	28.7	30.8	33.9	38.4	41.4	44.5	47.5	50.5	53.5	56.6	59.6	62.6	67.1
EX8		—	69.9	76.4	82.1	90.2	102.3	110.4	118.5	126.6	134.7	142.7	150.8	158.9	166.9	179.0
EX4	-5	—	—	—	—	—	—	1.0	1.2	1.4	1.5	1.7	1.9	2.1	2.2	2.5
EX5		—	—	—	—	—	—	3.1	3.7	4.2	4.7	5.2	5.7	6.3	6.8	7.6
EX6		—	—	—	—	—	—	7.4	8.7	9.9	11.1	12.4	13.6	14.9	16.1	17.9
EX7		—	—	—	—	—	—	20.6	24.0	27.4	30.8	34.2	37.5	40.9	44.3	49.4
EX8		—	—	—	—	—	—	55.2	64.2	73.2	82.2	91.2	100.3	109.3	118.3	131.8

R-449A EXTENDED CAPACITIES (TONS) - EX4-8 SERIES, AS EXPANSION AND LIQUID INJECTION VALVES

The following tables provide the capacity of valves at different conditions considering 20 psi pressure drop through liquid line:

VALVE TYPE	CONDENSING TEMPERATURE (°F)	EVAPORATING TEMPERATURE (°F)											
		50	40	30	20	10	0	-10	-20	-30	-40	-80	-100
EX4	140	4.3	4.3	4.3	4.3	4.1	3.9	4.0	3.8	3.7	3.7	3.1	2.7
EX5		12.8	12.8	12.7	12.5	12.4	12.2	12.1	11.7	11.4	10.8	9.2	8.2
EX6		30.4	30.7	30.4	30.4	29.9	29.2	28.7	27.8	27.1	26.2	22.0	19.9
EX7		83.9	84.2	83.8	83.1	82.0	80.6	78.8	76.6	74.4	71.9	60.8	54.8
EX8		223.5	224.4	223.8	221.7	218.8	214.8	210.0	204.5	198.3	191.6	162.1	145.8
EX4	120	4.3	4.3	4.6	4.6	4.6	4.4	4.3	4.3	4.3	4.0	3.7	3.3
EX5		13.1	13.4	13.4	13.4	13.4	13.5	13.3	13.0	12.7	12.4	11.1	10.1
EX6		31.5	32.2	32.5	32.5	32.5	32.2	31.7	31.1	30.5	29.9	26.4	24.5
EX7		86.6	88.3	89.0	89.4	89.3	88.6	87.3	85.7	83.9	82.1	72.4	67.0
EX8		231.0	235.4	237.8	238.6	237.9	235.9	232.8	228.8	224.2	218.8	192.9	178.5
EX4	100	4.2	4.2	4.3	4.5	4.5	4.6	4.6	4.5	4.3	4.3	4.0	3.7
EX5		12.3	13.0	13.3	13.6	13.6	13.6	13.7	13.4	13.4	13.1	11.9	11.3
EX6		29.7	31.0	31.9	32.3	32.6	32.7	32.5	32.3	32.0	31.4	28.7	26.8
EX7		81.8	85.1	87.7	89.1	89.8	89.9	89.8	88.8	87.7	86.3	78.3	74.0
EX8		218.4	227.5	233.5	237.6	239.7	240.2	239.2	237.0	234.0	230.3	209.5	197.3
EX4	85	3.6	3.9	4.0	4.3	4.2	4.4	4.6	4.3	4.3	4.3	3.9	4.1
EX5		10.9	11.9	12.5	12.8	13.2	13.4	13.3	13.3	13.4	13.1	12.1	11.5
EX6		26.0	28.3	29.9	30.9	31.6	31.9	32.1	32.1	31.9	31.6	28.9	27.8
EX7		72.0	77.6	82.0	84.8	86.8	87.7	88.3	88.2	87.6	86.7	80.0	76.2
EX8		191.5	207.4	218.4	226.3	231.3	234.4	235.4	235.2	233.6	230.8	213.7	202.3
EX4	70	2.6	3.2	3.5	3.9	4.1	4.0	4.3	4.3	4.3	4.3	4.0	4.0
EX5		8.4	9.7	10.9	11.8	12.3	12.6	12.7	12.9	12.9	12.9	12.2	11.3
EX6		19.7	23.5	26.2	28.0	29.4	30.0	30.7	30.8	30.7	30.7	28.7	27.4
EX7		54.5	64.9	71.8	76.9	80.5	82.7	84.1	84.8	84.8	84.3	79.3	75.2
EX8		145.4	172.9	191.7	205.2	214.6	220.9	224.6	226.3	226.5	225.1	211.0	200.7
EX4	50	2.8	2.9	3.0	3.1	3.2	3.3	3.4	3.5	3.6	3.7	4.0	4.2
EX5		8.7	9.0	9.2	9.5	9.8	10.0	10.3	10.5	10.8	11.1	12.1	12.6
EX6		20.9	21.6	22.2	22.8	23.5	24.1	24.7	25.4	26.0	26.6	29.2	30.5
EX7		57.7	59.4	61.1	62.8	64.6	66.3	68.0	69.7	71.5	73.2	80.1	83.5
EX8		153.8	158.4	163.0	167.6	172.2	176.8	181.4	186.0	190.5	195.1	213.5	222.6
EX4	32	2.2	2.3	2.4	2.5	2.6	2.7	2.8	3.0	3.1	3.2	3.6	3.8
EX5		6.4	6.7	7.1	7.4	7.8	8.1	8.5	8.8	9.2	9.5	10.9	11.6
EX6		15.4	16.2	17.0	17.8	18.7	19.5	20.3	21.1	22.0	22.8	26.1	27.7
EX7		42.7	44.9	47.2	49.4	51.6	53.9	56.1	58.4	60.6	62.9	71.8	76.3
EX8		113.6	119.6	125.6	131.6	137.6	143.6	149.6	155.6	161.6	167.5	191.5	203.5
EX4	15	—	—	1.5	1.6	1.8	1.9	2.1	2.2	2.3	2.5	3.0	3.3
EX5		—	—	4.3	4.8	5.2	5.7	6.1	6.6	7.1	7.5	9.3	10.2
EX6		—	—	10.4	11.5	12.6	13.7	14.8	15.8	16.9	18.0	22.3	24.5
EX7		—	—	28.5	31.5	34.5	37.5	40.4	43.4	46.4	49.4	61.3	67.3
EX8		—	—	76.0	84.0	92.0	100.0	108.0	116.0	123.9	131.9	163.7	179.6
EX4	-5	—	—	—	—	—	—	1.0	1.2	1.3	1.5	2.2	2.5
EX5		—	—	—	—	—	—	3.1	3.6	4.1	4.6	6.6	7.6
EX6		—	—	—	—	—	—	7.1	8.4	9.6	10.9	15.8	18.3
EX7		—	—	—	—	—	—	20.1	23.5	26.8	30.1	43.5	50.1
EX8		—	—	—	—	—	—	53.4	62.3	71.3	80.2	115.8	133.6

R-450A EXTENDED CAPACITIES (TONS) - EX4-8 SERIES, AS EXPANSION AND LIQUID INJECTION VALVES

The following tables provide the capacity of valves at different conditions considering 20 psi pressure drop through liquid line:

VALVE TYPE	CONDENSING TEMPERATURE (°F)	EVAPORATING TEMPERATURE (°F)											
		130	120	100	80	60	50	40	30	20	0	-10	-20
EX4	175	2.6	2.8	3.0	3.0	2.9	2.9	2.8	2.7	2.6	2.3	2.2	2.1
EX5		7.9	8.6	8.9	9.2	8.9	8.6	8.6	8.2	8.0	7.0	6.7	6.4
EX6		19.0	20.3	21.8	22.0	21.5	21.0	20.3	19.7	19.0	17.0	16.1	15.1
EX7		52.1	55.8	59.7	60.4	59.1	57.7	56.1	54.1	51.9	47.0	44.2	41.5
EX8		139.0	148.8	159.2	161.2	157.3	153.8	149.4	144.2	138.4	125.1	118.1	110.6
EX4	160	2.2	2.6	3.0	3.2	3.2	3.1	3.1	3.0	2.9	2.7	2.6	2.4
EX5		6.8	8.0	9.1	9.6	9.6	9.4	9.4	9.1	9.0	8.2	7.9	7.5
EX6		16.4	18.9	21.7	23.0	23.1	22.8	22.4	22.0	21.3	19.5	18.6	17.7
EX7		45.0	52.2	59.8	63.2	63.4	62.7	61.6	60.0	58.2	53.9	51.5	48.8
EX8		120.3	138.8	159.9	168.6	169.3	167.4	164.3	160.4	155.5	143.6	137.0	130.0
EX4	140	2.4	2.5	2.6	2.7	2.8	2.8	2.9	2.9	3.0	3.1	3.1	3.2
EX5		7.4	7.6	7.9	8.1	8.4	8.6	8.7	8.9	9.0	9.3	9.5	9.6
EX6		17.8	18.2	18.9	19.6	20.3	20.6	21.0	21.4	21.7	22.4	22.8	23.1
EX7		49.0	49.9	51.9	53.8	55.8	56.7	57.7	58.7	59.6	61.6	62.6	63.5
EX8		130.6	133.2	138.3	143.5	148.7	151.3	153.9	156.4	159.0	164.2	166.8	169.4
EX4	120	2.5	2.6	2.7	2.7	2.8	2.9	2.9	3.0	3.0	3.1	3.1	3.2
EX5		7.8	7.9	8.1	8.4	8.6	8.7	8.9	9.0	9.1	9.3	9.5	9.6
EX6		18.5	18.8	19.4	20.0	20.6	20.9	21.2	21.5	21.8	22.4	22.7	23.0
EX7		50.6	51.5	53.2	54.9	56.6	57.4	58.2	59.1	59.9	61.6	62.4	63.2
EX8		135.0	137.4	141.9	146.4	150.9	153.1	155.3	157.6	159.8	164.2	166.4	168.6
EX4	110	2.1	2.2	2.3	2.5	2.6	2.7	2.8	2.9	2.9	3.1	3.2	3.3
EX5		6.3	6.5	7.0	7.5	7.9	8.2	8.4	8.7	8.9	9.4	9.6	9.9
EX6		15.1	15.7	16.8	18.0	19.1	19.7	20.2	20.8	21.4	22.5	23.1	23.7
EX7		41.5	43.1	46.2	49.3	52.5	54.1	55.6	57.2	58.8	61.9	63.5	65.1
EX8		110.9	115.0	123.3	131.7	140.0	144.2	148.4	152.6	156.8	165.2	169.4	173.6
EX4	105	1.9	2.0	2.2	2.4	2.5	2.6	2.7	2.8	2.9	3.0	3.1	3.2
EX5		5.9	6.2	6.7	7.2	7.7	7.9	8.2	8.4	8.6	9.1	9.4	9.6
EX6		14.2	14.8	16.0	17.2	18.4	19.0	19.6	20.2	20.8	21.9	22.5	23.1
EX7		39.3	40.9	44.1	47.3	50.6	52.2	53.8	55.4	57.0	60.2	61.8	63.4
EX8		104.6	109.0	117.6	126.2	134.8	139.1	143.4	147.8	152.1	160.7	165.0	169.3
EX4	95	1.5	1.6	1.8	2.1	2.3	2.4	2.5	2.6	2.8	3.0	3.1	3.2
EX5		4.6	5.0	5.7	6.3	7.0	7.4	7.7	8.1	8.4	9.1	9.4	9.8
EX6		11.2	12.0	13.7	15.3	16.9	17.7	18.5	19.3	20.1	21.7	22.5	23.4
EX7		30.4	32.6	37.2	41.7	46.2	48.4	50.7	52.9	55.2	59.7	62.0	64.2
EX8		81.2	87.3	99.3	111.3	123.3	129.3	135.3	141.3	147.3	159.3	165.3	171.3
EX4	85	1.6	1.7	1.8	2.0	2.2	2.3	2.4	2.5	2.6	2.8	2.9	3.0
EX5		4.7	5.0	5.6	6.2	6.8	7.1	7.4	7.7	7.9	8.5	8.8	9.1
EX6		11.3	12.0	13.4	14.8	16.3	17.0	17.7	18.4	19.2	20.6	21.3	22.0
EX7		31.0	33.0	36.9	40.8	44.8	46.7	48.7	50.7	52.6	56.6	58.5	60.5
EX8		83.3	88.5	98.9	109.2	119.6	124.8	129.9	135.1	140.3	150.7	155.8	161.0
EX4	75	—	—	—	1.3	1.7	1.8	2.0	2.2	2.3	2.7	2.8	3.0
EX5		—	—	—	4.0	5.0	5.5	6.0	6.5	7.1	8.1	8.6	9.1
EX6		—	—	—	9.7	12.1	13.3	14.5	15.7	17.0	19.4	20.6	21.8
EX7		—	—	—	26.8	33.4	36.7	40.1	43.4	46.7	53.3	56.6	59.9
EX8		—	—	—	71.3	89.0	97.8	106.7	115.5	124.4	142.0	150.9	159.7

R-513A EXTENDED CAPACITIES (TONS) - EX4-8 SERIES, AS EXPANSION AND LIQUID INJECTION VALVES

The following tables provide the capacity of valves at different conditions considering 20 psi pressure drop through liquid line:

VALVE TYPE	CONDENSING TEMPERATURE (°F)	EVAPORATING TEMPERATURE (°F)											
		130	120	100	80	60	50	40	30	20	0	-10	-20
EX4	175	2.4	2.6	2.7	2.7	2.6	2.4	2.3	2.1	1.9	1.7	1.6	1.5
EX5		7.1	7.8	8.1	8.3	7.8	7.2	6.9	6.6	5.6	5.1	4.8	4.6
EX6		17.3	18.4	19.6	19.7	18.9	17.3	16.6	15.6	13.4	12.5	11.9	10.6
EX7		47.7	50.8	53.9	54.0	51.7	47.8	45.5	42.9	37.1	34.1	32.4	29.2
EX8		126.9	135.8	143.9	144.0	137.9	127.8	121.4	114.5	99.0	90.9	86.8	78.0
EX4	160	2.2	2.5	2.9	3.0	3.0	2.9	2.8	2.7	2.4	2.3	2.2	2.0
EX5		6.7	7.6	8.7	9.2	8.9	8.7	8.4	8.0	7.3	6.7	6.4	6.2
EX6		15.7	18.2	21.0	21.9	21.7	20.8	20.1	19.3	17.5	16.4	15.9	14.9
EX7		43.2	50.1	57.4	60.1	59.6	57.1	55.3	53.0	47.9	45.1	43.7	40.5
EX8		115.4	133.2	153.0	160.4	159.4	152.5	147.4	141.5	127.7	120.1	116.2	108.1
EX4	140	—	2.5	2.6	2.7	2.8	2.8	2.9	2.9	3.0	3.0	3.0	3.1
EX5		—	7.7	7.9	8.1	8.3	8.6	8.7	8.8	9.0	9.1	9.2	9.3
EX6		—	18.3	18.8	19.4	19.9	20.5	20.8	21.0	21.6	21.9	22.0	22.3
EX7		—	50.5	51.9	53.4	54.9	56.4	57.2	57.9	59.4	60.2	60.6	61.3
EX8		—	134.6	138.5	142.5	146.5	150.5	152.5	154.5	158.5	160.4	161.4	163.4
EX4	120	—	—	2.4	2.5	2.7	2.8	2.9	3.0	3.1	3.2	3.2	3.3
EX5		—	—	7.3	7.8	8.2	8.6	8.8	9.0	9.5	9.7	9.8	10.0
EX6		—	—	17.4	18.5	19.5	20.6	21.1	21.6	22.7	23.2	23.4	24.0
EX7		—	—	48.0	50.8	53.7	56.6	58.1	59.5	62.4	63.8	64.6	66.0
EX8		—	—	128.1	135.7	143.4	151.0	154.9	158.7	166.4	170.2	172.1	176.0
EX4	110	—	—	2.3	2.5	2.6	2.8	2.9	2.9	3.1	3.2	3.2	3.3
EX5		—	—	7.1	7.5	8.0	8.4	8.6	8.9	9.3	9.6	9.7	9.9
EX6		—	—	16.9	18.0	19.1	20.2	20.8	21.3	22.4	23.0	23.3	23.8
EX7		—	—	46.6	49.6	52.6	55.7	57.2	58.7	61.7	63.2	63.9	65.4
EX8		—	—	124.2	132.3	140.3	148.3	152.3	156.4	164.4	168.4	170.4	174.4
EX4	105	—	—	2.0	2.2	2.4	2.6	2.7	2.8	3.0	3.1	3.2	3.3
EX5		—	—	5.9	6.6	7.2	7.9	8.2	8.5	9.2	9.5	9.7	10.0
EX6		—	—	14.6	16.1	17.6	19.1	19.8	20.5	22.0	22.8	23.1	23.9
EX7		—	—	39.8	44.0	48.1	52.3	54.3	56.4	60.5	62.6	63.6	65.7
EX8		—	—	106.0	117.1	128.2	139.3	144.9	150.4	161.5	167.1	169.9	175.4
EX4	95	—	—	—	1.9	2.1	2.4	2.5	2.6	2.9	3.0	3.1	3.2
EX5		—	—	—	5.6	6.4	7.2	7.6	8.0	8.8	9.2	9.4	9.8
EX6		—	—	—	13.6	15.5	17.3	18.3	19.2	21.1	22.1	22.5	23.5
EX7		—	—	—	37.4	42.5	47.7	50.2	52.8	57.9	60.4	61.7	64.3
EX8		—	—	—	99.7	113.4	127.0	133.9	140.7	154.4	161.2	164.6	171.5
EX4	85	—	—	—	—	1.8	2.1	2.2	2.4	2.7	2.9	2.9	3.1
EX5		—	—	—	—	5.4	6.3	6.8	7.3	8.2	8.7	8.9	9.4
EX6		—	—	—	—	12.9	15.2	16.3	17.5	19.7	20.9	21.4	22.6
EX7		—	—	—	—	35.5	41.8	44.9	48.0	54.2	57.3	58.9	62.0
EX8		—	—	—	—	94.4	111.2	119.6	128.0	144.7	153.1	157.3	165.6
EX4	75	—	—	—	1.5	1.7	2.0	2.1	2.2	2.5	2.6	2.7	2.8
EX5		—	—	—	4.5	5.2	6.0	6.3	6.7	7.4	7.8	8.0	8.4
EX6		—	—	—	11.1	12.8	14.5	15.3	16.2	17.9	18.7	19.1	20.0
EX7		—	—	—	30.1	34.9	39.7	42.1	44.5	49.3	51.7	52.9	55.3
EX8		—	—	—	79.7	92.7	105.7	112.3	118.8	131.8	138.3	141.6	148.1

R-744 EXTENDED CAPACITIES (TONS) - EX4-8 SERIES, AS EXPANSION AND LIQUID INJECTION VALVES

The following tables provide the capacity of valves at different conditions considering 20 psi pressure drop through liquid line:

VALVE TYPE	CONDENSING TEMPERATURE (°F)	EVAPORATING TEMPERATURE (°F)						
		10	0	-10	-20	-30	-40	-50
EX4	30	6	7	8	9	10	10	10
EX5		18	22	25	27	29	30	31
EX6		43	53	60	65	70	73	75
EX7		117	145	165	179	191	200	206
EX8		312	388	439	479	510	534	549
EX4	20	—	6	7	8	9	9	10
EX5		—	18	22	25	27	29	30
EX6		—	43	53	60	65	69	72
EX7		—	119	145	164	178	189	197
EX8		—	319	387	437	476	506	526
EX4	10	—	—	6	7	8	9	9
EX5		—	—	18	22	25	27	29
EX6		—	—	43	53	60	65	68
EX7		—	—	119	145	163	178	187
EX8		—	—	318	386	436	474	500
EX4	0	—	—	—	6	7	8	9
EX5		—	—	—	17	21	24	26
EX6		—	—	—	41	51	58	63
EX7		—	—	—	114	140	159	172
EX8		—	—	—	303	373	423	458
EX4	-10	—	—	—	—	5	7	8
EX5		—	—	—	—	17	20	23
EX6		—	—	—	—	40	49	55
EX7		—	—	—	—	109	134	152
EX8		—	—	—	—	290	359	405
EX4	-20	—	—	—	—	3	5	6
EX5		—	—	—	—	19	16	20
EX6		—	—	—	—	22	38	47
EX7		—	—	—	—	61	104	129
EX8		—	—	—	—	163	278	344
EX4	-30	—	—	—	—	—	3	5
EX5		—	—	—	—	—	8	15
EX6		—	—	—	—	—	19	35
EX7		—	—	—	—	—	53	96
EX8		—	—	—	—	—	142	257

EX5-8 NOMINAL CAPACITIES (TONS) - AS CONDENSING PRESSURE REGULATOR AND LIQUID DUTY

VALVE TYPE	R-407C	R-22	R-134a	R-404A
EX5	5	6	5	4
EX6	12	13	12	9
EX7	44	46	43	31
EX8	133	140	131	93

THE NOMINAL CAPACITY IS BASED ON THE FOLLOWING CONDITIONS:

REFRIGERANT	EVAPORATING TEMPERATURE	CONDENSING TEMPERATURE	SUBCOOLING	PRESSURE DROP
R-22, R-134a, R-404A	+40°F	+100°F	2°F	5 Psid
R-407C	+40°F dew point	+100°F bubble	2°F	5 Psid

Note 1: Bi-flow versions are not released for use below -40°F.

Note 2: EX6, EX7 and EX8 must be installed with motor downward in suction line applications. This insures the valve life expectancy.

MULTIPLY ABOVE NOMINAL CAPACITIES BY FOLLOWING FACTORS TO OBTAIN CAPACITIES AT DIFFERENT PRESSURE DROPS:

ΔP, Psid	2.0	3.0	5.0
Correction factor	0.65	0.76	1.00

R-22 EXTENDED CAPACITIES (TONS) - EX5-8 SERIES, CONDENSING PRESSURE REGULATOR AND LIQUID DUTY

VALVE TYPE	CONDENSING TEMPERATURE °F	EVAPORATING TEMPERATURE °F									
		50	40	30	20	10	0	-10	-20	-30	-40
EX5	140	4	4	4	4	4	4	4	4	4	4
EX6		10	10	10	10	10	9	9	9	9	9
EX7		36	36	35	35	34	33	33	32	31	31
EX8		111	109	107	105	104	102	100	98	96	94
EX5	130	5	5	5	4	4	4	4	4	4	4
EX6		11	11	11	10	10	10	10	10	10	9
EX7		39	38	38	37	37	36	35	35	34	33
EX8		118	116	115	113	111	109	107	105	103	101
EX5	120	5	5	5	5	5	5	5	5	4	4
EX6		12	12	11	11	11	11	11	10	10	10
EX7		42	41	41	40	39	39	38	37	37	36
EX8		126	125	123	121	119	117	115	113	111	109
EX5	110	5	5	5	5	5	5	5	5	5	5
EX6		12	12	12	12	12	12	11	11	11	11
EX7		44	43	43	42	42	41	40	40	39	38
EX8		133	132	130	128	126	124	122	120	118	116
EX5	100	6	6	6	5	5	5	5	5	5	5
EX6		13	13	13	13	12	12	12	12	12	11
EX7		47	46	46	45	44	44	43	42	41	41
EX8		142	140	138	136	134	132	130	128	126	124

R-134A EXTENDED CAPACITIES (TONS) - EX5-8 SERIES, CONDENSING PRESSURE REGULATOR AND LIQUID DUTY

VALVE TYPE	CONDENSING TEMPERATURE °F	EVAPORATING TEMPERATURE °F			
		50	40	30	20
EX5	140	4	4	4	4
EX6		9	9	9	8
EX7		33	32	31	30
EX8		100	98	95	92
EX5	130	4	4	4	4
EX6		10	10	9	9
EX7		36	35	34	33
EX8		108	105	102	99
EX5	120	5	5	4	4
EX6		11	11	10	10
EX7		39	38	37	36
EX8		117	115	112	108
EX5	110	5	5	5	5
EX6		12	11	11	11
EX7		41	40	39	38
EX8		125	122	119	116
EX5	100	5	5	5	5
EX6		12	12	12	12
EX7		44	43	42	41
EX8		134	131	128	125

R-407C EXTENDED CAPACITIES (TONS) - EX5-8 SERIES, CONDENSING PRESSURE REGULATOR AND LIQUID DUTY

VALVE TYPE	CONDENSING TEMPERATURE DEW POINT °F	EVAPORATING TEMPERATURE °F			
		50	40	30	20
EX5	140	4	4	4	4
EX6		9	9	9	8
EX7		32	32	31	30
EX8		98	96	94	91
EX5	130	4	4	4	4
EX6		10	10	9	9
EX7		35	34	34	33
EX8		106	105	102	100
EX5	120	5	5	4	4
EX6		11	11	10	10
EX7		38	38	37	36
EX8		117	115	112	110
EX5	110	5	5	5	5
EX6		12	11	11	11
EX7		41	40	40	39
EX8		125	123	120	118
EX5	100	5	5	5	5
EX6		12	12	12	12
EX7		44	44	43	42
EX8		135	133	130	128

EX4-8 NOMINAL CAPACITIES (TONS) - AS HOT GAS BYPASS REGULATOR

VALVE TYPE	R-22 / R-407C	R-134a	R-404A / R-507
EX4	1.4	1.0	1.3
EX5	4.5	3.1	4.3
EX6	10.5	7.3	10.1
EX7	37.3	26.0	35.7
EX8	113.0	79.0	108.5

THE NOMINAL CAPACITY IS BASED ON THE FOLLOWING CONDITIONS:

REFRIGERANT	EVAPORATING TEMPERATURE	CONDENSING TEMPERATURE	SUBCOOLING
R-22, R-134a, R-404A, R-507	+40°F	+100°F	2°F
R-407C	+40°F bubble point	+100°F dew point	2°F

NOTE 1: Bi-flow versions are not released for hot gas bypass applications.

NOTE 2: EX4, EX5, EX6, EX7 and EX8 must be installed with motor downward in hot gas line applications.

EXTENDED CAPACITIES (TONS) - EX4-8 SERIES

VALVE TYPE	LIQUID / CONDENSING TEMPERATURE °F	R-22 / R-407C	R-134a	R-404A / R-507
EX4	140 Bubble point for all refrigerants (147 dew point for R-407C)	2	1	2
EX5		7	5	6
EX6		15	11	13
EX7		54	38	46
EX8		165	117	139
EX4	130 bubble point for all refrigerants (138 dew point for R-407C)	2	1	2
EX5		6	4	5
EX6		14	10	12
EX7		49	35	44
EX8		150	106	132
EX4	120 bubble point for all refrigerants (128 dew point for R-407C)	2	1	2
EX5		6	4	5
EX6		13	9	12
EX7		45	32	41
EX8		138	97	126
EX4	110 bubble point for all refrigerants (119 dew point for R-407C)	2	1	1
EX5		5	3	5
EX6		12	8	11
EX7		41	29	38
EX8		124	87	117

EX6-8 NOMINAL CAPACITIES (TONS) - AS FOR HOT GAS FLOW SUCH AS HEAT RECLAIM APPLICATION

VALVE TYPE	R-22 / R-407C	R-404A / R-507
EX6	3.1	2.8
EX7	11.1	10.2
EX8	33.8	30.7

THE NOMINAL CAPACITY IS BASED ON THE FOLLOWING CONDITIONS:

REFRIGERANT	EVAPORATING TEMPERATURE	CONDENSING TEMPERATURE	SUBCOOLING	PRESSURE DROP	ISENTROPIC EFFICIENCY
R-22, R-404A, R-507	+40°F	+100°F	2°F	2 psid	80%
R-407C	+40°F bubble point	+100°F dew point	2°F	2 psid	80%

NOTE: Bi-flow versions are not released for hot gas bypass applications.

NOTE: EX6, EX7 and EX8 must be installed with motor downward in suction line applications. This insures the valve life expectancy.

R-22 | R-407C EXTENDED CAPACITIES (TONS) - EX6-8 EERIES, AS FOR HOT GAS FLOW SUCH AS HEAT RECLAIM APPLICATION

VALVE TYPE	CONDENSING TEMPERATURE °F	PRESSURE DROP PSI	EVAPORATING TEMPERATURE °F												
			60	50	40	30	20	10	0	-10	-20	-30	-40	-50	
EX6	140	1.5	1.6	1.5	1.5	1.5	1.4	1.4	1.3	1.3	1.2	1.2	1.2	1.1	
EX7			5.6	5.5	5.3	5.2	5.0	4.9	4.7	4.6	4.4	4.3	4.1	4.0	
EX8			17.0	16.6	16.2	15.7	15.3	14.8	14.4	13.9	13.4	13.0	12.5	12.0	
EX6		7.0	3.4	3.3	3.3	3.2	3.1	3.0	2.9	2.8	2.7	2.6	2.5	2.4	
EX7			12.2	11.9	11.6	11.3	10.9	10.6	10.3	10.0	9.6	9.3	9.0	8.6	
EX8			37.0	36.1	35.2	34.2	33.3	32.3	31.3	30.3	29.3	28.2	27.2	26.2	
EX6		14.0	4.8	4.7	4.5	4.4	4.3	4.2	4.0	3.9	3.8	3.7	3.5	3.4	
EX7			17.3	16.9	16.4	16.0	15.6	15.1	14.6	14.2	13.7	13.2	12.7	12.3	
EX8			52.5	51.3	49.9	48.6	47.3	45.9	44.5	43.0	41.6	40.2	38.7	37.3	
EX6		120	1.5	1.5	1.5	1.5	1.4	1.4	1.4	1.3	1.3	1.2	1.2	1.2	1.1
EX7				5.5	5.3	5.2	5.1	4.9	4.8	4.7	4.5	4.4	4.3	4.1	4.0
EX8				16.6	16.2	15.8	15.4	15.0	14.6	14.2	13.8	13.4	12.9	12.5	12.1
EX6	7.0		3.3	3.3	3.2	3.1	3.0	2.9	2.9	2.8	2.7	2.6	2.5	2.4	
EX7			11.8	11.6	11.3	11.0	10.7	10.4	10.1	9.9	9.6	9.3	8.9	8.6	
EX8			35.9	35.1	34.3	33.5	32.6	31.7	30.8	29.9	29.0	28.1	27.2	26.2	
EX6	14.0		4.6	4.5	4.4	4.3	4.2	4.1	4.0	3.9	3.7	3.6	3.5	3.4	
EX7			16.8	16.4	16.0	15.6	15.2	14.8	14.4	14.0	13.5	13.1	12.7	12.3	
EX8			50.9	49.7	48.6	47.4	46.2	44.9	43.7	42.4	41.1	39.8	38.5	37.2	
EX6	100		1.5	1.5	1.4	1.4	1.4	1.3	1.3	1.3	1.2	1.2	1.2	1.1	1.1
EX7				5.2	5.1	5.0	4.9	4.7	4.6	4.5	4.4	4.3	4.1	4.0	3.9
EX8				15.8	15.4	15.1	14.7	14.4	14.0	13.7	13.3	12.9	12.5	12.2	11.8
EX6		7.0	3.2	3.1	3.0	3.0	2.9	2.8	2.7	2.7	2.6	2.5	2.4	2.4	
EX7			11.2	11.0	10.7	10.5	10.2	10.0	9.7	9.5	9.2	8.9	8.7	8.4	
EX8			34.1	33.4	32.6	31.9	31.1	30.4	29.6	28.8	28.0	27.1	26.3	25.5	
EX6		14.0	4.4	4.3	4.2	4.1	4.0	3.9	3.8	3.7	3.6	3.5	3.4	3.3	
EX7			15.8	15.5	15.2	14.8	14.5	14.1	13.7	13.4	13.0	12.6	12.2	11.8	
EX8			48.0	47.0	46.0	45.0	43.9	42.8	41.7	40.6	39.5	38.3	37.2	36.0	
EX6		80	1.5	1.4	1.3	1.3	1.3	1.2	1.2	1.2	1.2	1.1	1.1	1.1	1.0
EX7				4.8	4.7	4.6	4.5	4.4	4.3	4.2	4.1	4.0	3.9	3.8	3.7
EX8				14.7	14.4	14.1	13.8	13.5	13.2	12.8	12.5	12.2	11.9	11.5	11.2
EX6	7.0		2.9	2.9	2.8	2.8	2.7	2.6	2.6	2.5	2.4	2.4	2.3	2.2	
EX7			10.4	10.2	10.0	9.8	9.6	9.3	9.1	8.9	8.6	8.4	8.2	7.9	
EX8			31.6	31.0	30.4	29.7	29.0	28.4	27.7	27.0	26.3	25.6	24.8	24.1	
EX6	14.0		4.0	4.0	3.9	3.8	3.7	3.6	3.5	3.4	3.4	3.3	3.2	3.1	
EX7			14.6	14.3	14.0	13.7	13.4	13.1	12.8	12.5	12.1	11.8	11.5	11.1	
EX8			44.3	43.4	42.6	41.7	40.7	39.8	38.8	37.9	36.9	35.9	34.8	33.8	

R-404A / R-507 EXTENDED CAPACITIES (TONS) - EX6-8 SERIES, HOT GAS FLOW SUCH A HEAT RECLAIM APPLICATIONS

VALVE TYPE	CONDENSING TEMPERATURE °F	PRESSURE DROP PSI	EVAPORATING TEMPERATURE °F											
			60	50	40	30	20	10	0	-10	-20	-30	-40	-50
EX6	140	1.5	1.2	1.1	1.1	1.0	1.0	0.9	0.9	0.8	0.8	0.7	0.7	0.6
EX7			4.2	4.1	3.9	3.7	3.5	3.3	3.2	3.0	2.8	2.6	2.4	2.2
EX8			12.8	12.3	11.8	11.3	10.7	10.1	9.6	9.0	8.4	7.8	7.2	6.6
EX6		7	2.6	2.5	2.4	2.3	2.2	2.0	1.9	1.8	1.7	1.6	1.4	1.3
EX7			9.2	8.8	8.4	8.1	7.7	7.3	6.8	6.4	6.0	5.6	5.2	4.7
EX8			27.8	26.7	25.6	24.5	23.3	22.0	20.8	19.5	18.2	16.9	15.6	14.4
EX6		14	3.6	3.4	3.3	3.2	3.0	2.8	2.7	2.5	2.4	2.2	2.0	1.9
EX7			13.0	12.5	12.0	11.4	10.9	10.3	9.7	9.1	8.5	7.9	7.3	6.7
EX8			39.4	37.9	36.3	34.7	33.0	31.3	29.5	27.7	25.9	24.1	22.2	20.4
EX6	120	1.5	1.3	1.3	1.2	1.2	1.1	1.1	1.0	1.0	0.9	0.9	0.8	0.8
EX7			4.6	4.5	4.3	4.2	4.0	3.8	3.7	3.5	3.3	3.2	3.0	2.8
EX8			14.0	13.6	13.1	12.7	12.2	11.7	11.2	10.7	10.1	9.6	9.1	8.5
EX6		7	2.8	2.7	2.6	2.5	2.4	2.3	2.2	2.1	2.0	1.9	1.8	1.7
EX7			10.0	9.7	9.4	9.0	8.7	8.3	8.0	7.6	7.2	6.9	6.5	6.1
EX8			30.4	29.5	28.5	27.5	26.4	25.4	24.3	23.1	22.0	20.9	19.7	18.6
EX6		14	3.9	3.8	3.7	3.5	3.4	3.3	3.1	3.0	2.8	2.7	2.5	2.4
EX7			14.1	13.7	13.3	12.8	12.3	11.8	11.3	10.8	10.3	9.7	9.2	8.7
EX8			43.0	41.7	40.3	38.9	37.4	35.9	34.4	32.8	31.2	29.6	28.0	26.3
EX6	100	1.5	1.3	1.3	1.2	1.2	1.2	1.1	1.1	1.1	1.0	1.0	0.9	0.9
EX7			4.7	4.6	4.4	4.3	4.2	4.0	3.9	3.7	3.6	3.4	3.3	3.1
EX8			14.2	13.9	13.5	13.1	12.7	12.2	11.8	11.4	10.9	10.4	10.0	9.5
EX6		7	2.9	2.8	2.7	2.6	2.5	2.5	2.4	2.3	2.2	2.1	2.0	1.9
EX7			10.1	9.9	9.6	9.3	9.0	8.7	8.4	8.1	7.8	7.4	7.1	6.8
EX8			30.8	30.0	29.2	28.3	27.4	26.5	25.5	24.6	23.6	22.6	21.6	20.6
EX6		14	4.0	3.9	3.7	3.6	3.5	3.4	3.3	3.2	3.0	2.9	2.8	2.6
EX7			14.3	13.9	13.5	13.1	12.7	12.3	11.9	11.4	11.0	10.5	10.0	9.6
EX8			43.5	42.3	41.2	39.9	38.7	37.4	36.1	34.7	33.3	31.9	30.5	29.1
EX6	80	1.5	1.3	1.3	1.2	1.2	1.2	1.1	1.1	1.1	1.0	1.0	0.9	0.9
EX7			4.6	4.5	4.4	4.2	4.1	4.0	3.9	3.8	3.6	3.5	3.4	3.2
EX8			13.9	13.6	13.3	12.9	12.6	12.2	11.8	11.4	11.0	10.6	10.2	9.8
EX6		7	2.8	2.7	2.6	2.6	2.5	2.4	2.4	2.3	2.2	2.1	2.0	2.0
EX7			9.9	9.6	9.4	9.2	8.9	8.7	8.4	8.1	7.8	7.6	7.3	7.0
EX8			30.0	29.3	28.6	27.8	27.1	26.3	25.5	24.7	23.8	22.9	22.1	21.2
EX6		14	3.8	3.7	3.7	3.6	3.5	3.4	3.3	3.2	3.0	2.9	2.8	2.7
EX7			13.9	13.5	13.2	12.9	12.5	12.2	11.8	11.4	11.0	10.6	10.2	9.8
EX8			42.1	41.1	40.1	39.1	38.0	36.9	35.8	34.7	33.5	32.3	31.1	29.8

EX6-8 NOMINAL CAPACITIES (TONS) - AS SUCTION PRESSURE REGULATOR (EVAPORATOR OR CRANKCASE)

VALVE TYPE	R-407C	R-22	R-134a	R-404A
EX6	1.1	1.1	0.9	1.0
EX7	3.8	4.0	3.0	3.5
EX8	11.5	12.2	9.2	10.5

THE NOMINAL CAPACITY IS BASED ON THE FOLLOWING CONDITIONS:

REFRIGERANT	EVAPORATING TEMPERATURE	CONDENSING TEMPERATURE	SUBCOOLING	PRESSURE DROP
R-22, R-134a, R-404A	+40°F	+100°F	2°F	2 psid
R-407C	+40°F bubble point	+100°F dew point	2°F	2 psid

NOTE 1: Bi-flow versions are not released for use below -40°F.

NOTE 2: EX6, EX7 and EX8 must be installed with motor downward in suction line applications. This insures the valve life expectancy.

MULTIPLY ABOVE NOMINAL CAPACITIES BY FOLLOWING FACTORS TO OBTAIN CAPACITIES AT DIFFERENT PRESSURE DROPS:

ΔP, psid	1.5	2.0	3.0	4.5
CORRECTION FACTOR	0.82	1.00	1.15	1.41

Example: EX6 provides 1 ton at 2.0 psid pressure drop with R-404A: 4 psi pressure drop.

R-404A / R-507 EXTENDED CAPACITIES (TONS) - EX6-8 SERIES, SUCTION PRESSURE REGULATOR DUTY

VALVE TYPE	CONDENSING TEMPERATURE °F	EVAPORATING TEMPERATURE °F									
		50	40	30	20	10	0	-10	-20	-30	-40
EX6	140	1	1	1	0	0	0	0	0	0	0
EX7		3	2	2	2	2	1	1	1	1	1
EX8		8	7	6	5	5	4	3	3	2	2
EX6	130	1	1	1	1	1	0	0	0	0	0
EX7		3	3	2	2	2	2	1	1	1	1
EX8		9	8	7	6	5	5	4	3	3	2
EX6	120	1	1	1	1	1	0	0	0	0	0
EX7		3	3	3	2	2	2	1	1	1	1
EX8		10	9	8	7	6	5	4	4	3	3
EX6	110	1	1	1	1	1	1	0	0	0	0
EX7		4	3	3	2	2	2	2	1	1	1
EX8		11	10	9	8	7	6	5	4	4	3
EX6	100	1	1	1	1	1	1	1	0	0	0
EX7		4	3	3	3	2	2	2	2	1	1
EX8		12	11	9	8	7	6	5	5	4	3

R-404A / R-507 EXTENDED CAPACITIES (TONS) - EX6-8 SERIES, HOT GAS FLOW SUCH A HEAT RECLAIM APPLICATIONS

VALVE TYPE	CONDENSING TEMPERATURE °F	PRESSURE DROP PSI	EVAPORATING TEMPERATURE °F											
			60	50	40	30	20	10	0	-10	-20	-30	-40	-50
EX6	140	1.5	1.2	1.1	1.1	1.0	1.0	0.9	0.9	0.8	0.8	0.7	0.7	0.6
EX7			4.2	4.1	3.9	3.7	3.5	3.3	3.2	3.0	2.8	2.6	2.4	2.2
EX8			12.8	12.3	11.8	11.3	10.7	10.1	9.6	9.0	8.4	7.8	7.2	6.6
EX6		7	2.6	2.5	2.4	2.3	2.2	2.0	1.9	1.8	1.7	1.6	1.4	1.3
EX7			9.2	8.8	8.4	8.1	7.7	7.3	6.8	6.4	6.0	5.6	5.2	4.7
EX8			27.8	26.7	25.6	24.5	23.3	22.0	20.8	19.5	18.2	16.9	15.6	14.4
EX6		14	3.6	3.4	3.3	3.2	3.0	2.8	2.7	2.5	2.4	2.2	2.0	1.9
EX7			13.0	12.5	12.0	11.4	10.9	10.3	9.7	9.1	8.5	7.9	7.3	6.7
EX8			39.4	37.9	36.3	34.7	33.0	31.3	29.5	27.7	25.9	24.1	22.2	20.4
EX6	120	1.5	1.3	1.3	1.2	1.2	1.1	1.1	1.0	1.0	0.9	0.9	0.8	0.8
EX7			4.6	4.5	4.3	4.2	4.0	3.8	3.7	3.5	3.3	3.2	3.0	2.8
EX8			14.0	13.6	13.1	12.7	12.2	11.7	11.2	10.7	10.1	9.6	9.1	8.5
EX6		7	2.8	2.7	2.6	2.5	2.4	2.3	2.2	2.1	2.0	1.9	1.8	1.7
EX7			10.0	9.7	9.4	9.0	8.7	8.3	8.0	7.6	7.2	6.9	6.5	6.1
EX8			30.4	29.5	28.5	27.5	26.4	25.4	24.3	23.1	22.0	20.9	19.7	18.6
EX6		14	3.9	3.8	3.7	3.5	3.4	3.3	3.1	3.0	2.8	2.7	2.5	2.4
EX7			14.1	13.7	13.3	12.8	12.3	11.8	11.3	10.8	10.3	9.7	9.2	8.7
EX8			43.0	41.7	40.3	38.9	37.4	35.9	34.4	32.8	31.2	29.6	28.0	26.3
EX6	100	1.5	1.3	1.3	1.2	1.2	1.2	1.1	1.1	1.1	1.0	1.0	0.9	0.9
EX7			4.7	4.6	4.4	4.3	4.2	4.0	3.9	3.7	3.6	3.4	3.3	3.1
EX8			14.2	13.9	13.5	13.1	12.7	12.2	11.8	11.4	10.9	10.4	10.0	9.5
EX6		7	2.9	2.8	2.7	2.6	2.5	2.5	2.4	2.3	2.2	2.1	2.0	1.9
EX7			10.1	9.9	9.6	9.3	9.0	8.7	8.4	8.1	7.8	7.4	7.1	6.8
EX8			30.8	30.0	29.2	28.3	27.4	26.5	25.5	24.6	23.6	22.6	21.6	20.6
EX6		14	4.0	3.9	3.7	3.6	3.5	3.4	3.3	3.2	3.0	2.9	2.8	2.6
EX7			14.3	13.9	13.5	13.1	12.7	12.3	11.9	11.4	11.0	10.5	10.0	9.6
EX8			43.5	42.3	41.2	39.9	38.7	37.4	36.1	34.7	33.3	31.9	30.5	29.1
EX6	80	1.5	1.3	1.3	1.2	1.2	1.2	1.1	1.1	1.1	1.0	1.0	0.9	0.9
EX7			4.6	4.5	4.4	4.2	4.1	4.0	3.9	3.8	3.6	3.5	3.4	3.2
EX8			13.9	13.6	13.3	12.9	12.6	12.2	11.8	11.4	11.0	10.6	10.2	9.8
EX6		7	2.8	2.7	2.6	2.6	2.5	2.4	2.4	2.3	2.2	2.1	2.0	2.0
EX7			9.9	9.6	9.4	9.2	8.9	8.7	8.4	8.1	7.8	7.6	7.3	7.0
EX8			30.0	29.3	28.6	27.8	27.1	26.3	25.5	24.7	23.8	22.9	22.1	21.2
EX6		14	3.8	3.7	3.7	3.6	3.5	3.4	3.3	3.2	3.0	2.9	2.8	2.7
EX7			13.9	13.5	13.2	12.9	12.5	12.2	11.8	11.4	11.0	10.6	10.2	9.8
EX8			42.1	41.1	40.1	39.1	38.0	36.9	35.8	34.7	33.5	32.3	31.1	29.8

EX6-8 NOMINAL CAPACITIES (TONS) - AS SUCTION PRESSURE REGULATOR (EVAPORATOR OR CRANKCASE)

VALVE TYPE	R-407C	R-22	R-134a	R-404A
EX6	1.1	1.1	0.9	1.0
EX7	3.8	4.0	3.0	3.5
EX8	11.5	12.2	9.2	10.5

THE NOMINAL CAPACITY IS BASED ON THE FOLLOWING CONDITIONS:

REFRIGERANT	EVAPORATING TEMPERATURE	CONDENSING TEMPERATURE	SUBCOOLING	PRESSURE DROP
R-22, R-134a, R-404A	+40°F	+100°F	2°F	2 psid
R-407C	+40°F bubble point	+100°F dew point	2°F	2 psid

NOTE 1: Bi-flow versions are not released for use below -40°F.

NOTE 2: EX6, EX7 and EX8 must be installed with motor downward in suction line applications. This insures the valve life expectancy.

MULTIPLY ABOVE NOMINAL CAPACITIES BY FOLLOWING FACTORS TO OBTAIN CAPACITIES AT DIFFERENT PRESSURE DROPS:

ΔP, psid	1.5	2.0	3.0	4.5
CORRECTION FACTOR	0.82	1.00	1.15	1.41

Example: EX6 provides 1 ton at 2.0 psid pressure drop with R-404A: 4 psi pressure drop.

R-404A | R-507 EXTENDED CAPACITIES (TONS) - EX6-8 SERIES, SUCTION PRESSURE REGULATOR DUTY

VALVE TYPE	CONDENSING TEMPERATURE °F	EVAPORATING TEMPERATURE °F									
		50	40	30	20	10	0	-10	-20	-30	-40
EX6	140	1	1	1	0	0	0	0	0	0	0
EX7		3	2	2	2	2	1	1	1	1	1
EX8		8	7	6	5	5	4	3	3	2	2
EX6	130	1	1	1	1	1	0	0	0	0	0
EX7		3	3	2	2	2	2	1	1	1	1
EX8		9	8	7	6	5	5	4	3	3	2
EX6	120	1	1	1	1	1	0	0	0	0	0
EX7		3	3	3	2	2	2	1	1	1	1
EX8		10	9	8	7	6	5	4	4	3	3
EX6	110	1	1	1	1	1	1	0	0	0	0
EX7		4	3	3	2	2	2	2	1	1	1
EX8		11	10	9	8	7	6	5	4	4	3
EX6	100	1	1	1	1	1	1	1	0	0	0
EX7		4	3	3	3	2	2	2	2	1	1
EX8		12	11	9	8	7	6	5	5	4	3

REFRIGERANT SOLENOID VALVES QUICK SELECTION GUIDE

UNI-FLOW SOLENOIDS

TONNAGE		OPERATION		TWO TYPES		DESIGN	PORT SIZE	VALVE SERIES
R-410A	R-404A	NORMALLY CLOSED	NORMALLY OPEN	DIRECT ACTING	PILOT OPERATED			
—	0.9	√		√		Piston	1/8"	100RB 2
3.4	2.3	√			√	Piston	1/8"	200RB 2
4.5	3.1	√			√	Piston	3/16"	200RB 3
7.5	5.1	√			√	Piston	1/4"	200RB 4
7.7	5.3	√			√	Piston	5/16"	200RB 5
8.9	6.1	√			√	Piston	3/8"	200RB 6
15.7	11.1	√			√	Piston	7/16"	200RB 7
14.6	10.3	√			√	Diaphragm	1/2"	250RA 8
28.5	20.1	√			√	Diaphragm	9/16"	250RA 9
32.6	23.0	√			√	Diaphragm	3/4"	250RA 12
54.2	38.3	√			√	Diaphragm	1"	250RA 16
89.1	65.7	√			√	Diaphragm	1-1/4"	250RA 20
3.4	2.3		√		√	Piston	1/8"	500RB 2
4.5	3.1		√		√	Piston	3/16"	500RB 3
7.5	5.1		√		√	Piston	1/4"	500RB 4
7.7	5.3		√		√	Piston	5/16"	500RB 5
8.9	6.1		√		√	Piston	3/8"	500RB 6
15.7	11.1		√		√	Piston	7/16"	500RB 7
14.6	10.3		√		√	Diaphragm	1/2"	540RA 8
28.5	20.1		√		√	Diaphragm	9/16"	540RA 9
32.6	23.0		√		√	Diaphragm	3/4"	540RA 12
54.2	38.3		√		√	Diaphragm	1"	540RA 16
89.1	65.7		√		√	Diaphragm	1-1/4"	540RA 20

BI-FLOW SOLENOIDS

TONNAGE		OPERATION		TWO TYPES		DESIGN	PORT SIZE	VALVE SERIES
R-410A		NORMALLY CLOSED	NORMALLY OPEN	DIRECT ACTING	PILOT OPERATED			
4.5		√			√	Piston	3/16"	200RB 3 BF
7.5		√			√	Piston	1/4"	200RB 4 BF
7.7		√			√	Piston	5/16"	200RB 5 BF
8.9		√			√	Piston	3/8"	200RB 6 BF



100RB 2S3VLC

100RB SERIES REFRIGERANT SOLENOID VALVES

The 100RB is a direct-acting, 2-way, normally closed valve used for liquid or discharge gas refrigerant service.

FEATURES

- Single coil family fits all valve sizes
- Extended ends for easy installation (standard)
- PTFE O-ring for superior external sealing
- SAE or ODF connection sizes in 1/4" and 3/8" or 1/4" NPTF
- Field serviceable parts available

SPECIFICATIONS

Maximum Fluid Temperature..... 250°F (121°C)
 Maximum Working Pressure..... 500 psig (35 bar)
 Maximum Operating Pressure Differential 300 psig (21 bar)
 UL/CUL File Number MP604
 Canadian CRN 0C21506.513467890YTN

MODEL NUMBER NOMENCLATURE - Example: 100RB 2F2VLC

VALVE SERIES	PORT SIZE	CONNECTION TYPE	CONNECTION SIZE	*COIL	SEQUENTIAL IDENTIFIER	CUSTOMER SPECIAL	PACK TYPE
100RB	2	F	2	VLC			
Direct-Acting Refrigerant Solenoid Valves	In 1/16"	F = SAE S = ODF Extended Ends P = NPTF	In 1/8" Increments	VLC = Valve Less Coil For Valves with Coil See Coil Nomenclature on Coil Catalog Page	Blank Thru -99	G = Customer Special (Omit for Standard)	B1 = Bulk Pack (Omit for Individual Pack)

* Valves in catalog are shipped without solenoid coils (VLC = Valve Less Coil). See coil pages for coil selection and a complete list of voltage options.

100RB SERIES REFRIGERANT SOLENOID VALVES

PORT SIZE (IN)	CONNECTION SIZE & TYPE	NOMINAL LIQUID CAPACITY - TONS (KW)							MODEL NUMBER	ITEM NUMBER
		R-22	R-134a	R-290	R-404A / R-507	R-407C	R-448A / R-449A	R-450A / R-513A		
1/8	1/4" SAE	1.3 (4.5)	1.0 (3.4)	1.3 (4.5)	0.9 (3.0)	1.2 (4.3)	1.3 (4.5)	0.9 (3.1)	100RB 2F2VLC	047500
	1/4" NPTF								100RB 2P2VLC	047502
	1/4" ODF								100RB 2S2VLC	047503
	3/8" SAE								100RB 2F3VLC	047501
	3/8" ODF								100RB 2S3VLC	047504
	1/2" ODF								100RB 2S4VLC	047505

NOTE: Capacities based on 100°F liquid and 40°F saturated evaporator per ARI standard 760-87.



Detailed product drawings

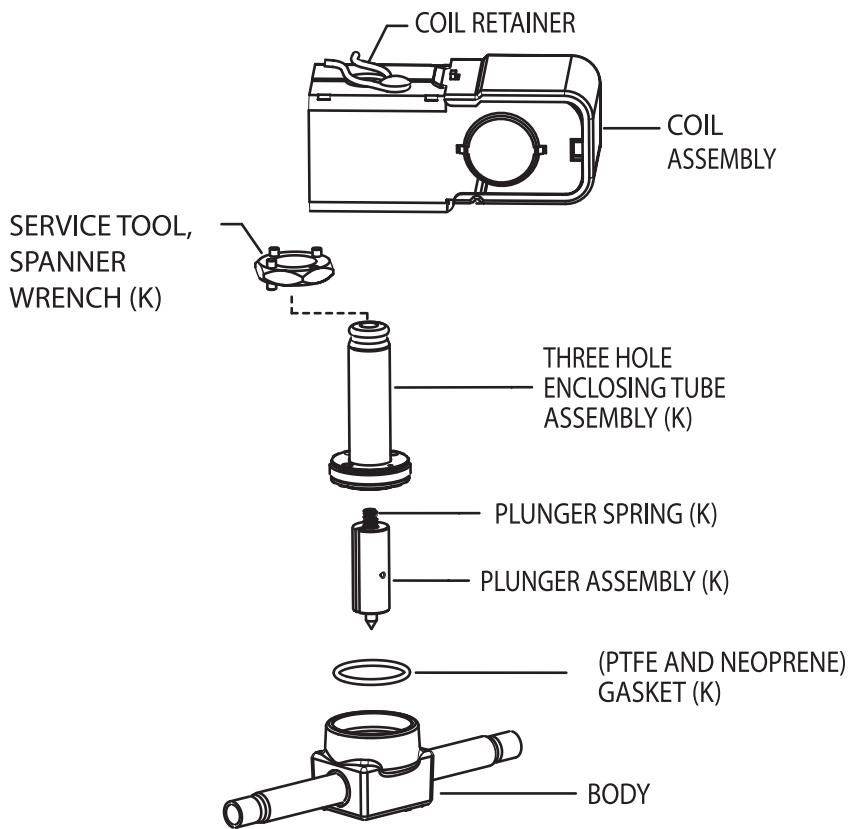
Extended capacity tables



EXPLODED VIEW & PARTS KIT DATA

100RB SERIES PART KITS

DESCRIPTION	MODEL NUMBER	ITEM NUMBER
Valve Repair Kit (K)	KS-30112	049191
Universal (2/3 hole) spanner wrench	X-11981-1	027451
Parts Kit (Contains 12 pieces each of PTFE and neoprene O-rings)	KG-10041	054812
Magnetic Solenoid Tool opens a normally closed solenoid valve in the de-energized state, incorporates a spanner wrench for easy disassembly of solenoid valve series 100RB, 200RB, 240RA and provides an orifice to manually adjust opening stem.	SOLENOID TOOL	066019



VALVE REPAIR KIT

(K) indicates part is supplied in valve repair kit.



200RB 5T5MVLV

200RB SERIES REFRIGERANT SOLENOID VALVES

The 200RB is a pilot-operated, 2-way, normally closed valve used for liquid, discharge, or suction gas refrigerant service.

FEATURES

- Single coil family fits all valve sizes
- Extended ends for easy installation (standard)
- PTFE O-ring for superior external sealing
- Available in 7 port sizes
- Optional manual stem or mounting stud
- Bi-Directional operation either factory assembled or convert with kit KS-30293 (except 200RB 7 & 9)
- Field serviceable parts available

SPECIFICATIONS

Maximum Fluid Temperature..... 250°F (121°C)
 Maximum Working Pressure..... 680 psig (47 bar)
 Minimum Operating Pressure Drop 2 psi (0.15 bar)
 * Maximum Operating Pressure Differential 300 psig (21 bar)
 UL/CUL File Number MP604
 Canadian CRN 0C21506.513467890YTN

* MOPD based on AC applications. Consult application engineer for DC applications.

MODEL NUMBER NOMENCLATURE - Example: 200RB 3T3BFVLC

VALVE SERIES	DESIGN SERIES	PORT SIZE	CONNECTION TYPE	CONNECTION SIZE	VALVE CONFIGURATION	*COIL	SEQUENTIAL IDENTIFIER	CUSTOMER SPECIAL	PACK TYPE
200R	B	3	T	3	BF	VLC			
Pilot-Operated Normally Closed Refrigerant Solenoid Valves	Piston Design	In 1/16"	F = SAE S = ODF Short T = ODF Extended Ends	In 1/8"	BF = Bi-Directional (Heat Pump) M = Manual Opening Stem T = Mounting Stud (Omit for Std. Valve)	VLC = Valve Less Coil For Valves with Coil See Coil Nomenclature on Coil Catalog Page	Blank Thru -99	G = Customer Special (Omit for Std.)	B1 = Bulk Pack (Omit for Individual Pack)

* Valves in catalog are shipped without solenoid coils (VLC = Valve Less Coil). See coil pages for coil selection and a complete list of voltage options.

200RB SERIES REFRIGERANT SOLENOID VALVES

VALVE CONFIG.	PORT SIZE (IN)	CONN. SIZE & TYPE (IN)	EXTD. ENDS	NOMINAL LIQUID CAPACITY - TONS (KW)								MODEL NUMBER	ITEM NUMBER	
				R-22	R-134a	R-290	R-404A / R-507	R-407C	R-410A	R-448A / R-449A	R-450A / R-513A			R-744
Standard	1/8	1/4 SAE	—	3.6 (12.7)	2.7 (9.6)	3.8 (13.4)	2.3 (8.2)	3.4 (11.9)	3.4 (11.9)	3.6 (12.7)	2.5 (8.7)	8.2 (28.7)	200RB 2F2VLC	053104
		1/4 ODF	Yes										200RB 2T2VLC	053105
		3/8 SAE	—										200RB 2F3VLC	062611
		3/8 ODF	Yes										200RB 2T3VLC	053106
	3/16	1/4 ODF	Yes	4.8 (16.9)	3.6 (12.7)	5.0 (17.6)	3.1 (10.9)	4.5 (15.9)	4.5 (15.8)	4.8 (17.0)	3.3 (11.6)	10.9 (38.2)	200RB 3T2VLC	049608
		3/8 SAE	—										200RB 3F3VLC	052726
		3/8 ODF	Yes										200RB 3T3VLC	049609
		1/2 SAE	—										200RB 3F4VLC	052727
	1/4	1/2 ODF	Yes	8.0 (28.0)	6.0 (21.1)	8.3 (29.2)	5.1 (18.0)	7.5 (26.3)	7.5 (26.4)	8.0 (28.1)	5.5 (19.3)	18.0 (63.3)	200RB 3T4VLC	049692
		3/8 SAE	—										200RB 4F3VLC	047506
		3/8 ODF X 1/2 ODM	—										200RB 4S3VLC	047511
		3/8 ODF	Yes										200RB 4T3VLC	047517
		1/2 ODF X 5/8 ODM	—										200RB 4S4VLC	047516
		1/2 ODF	Yes										200RB 4T4VLC	047518
5/8 ODF	Yes	200RB 4T5VLC	058950											

200RB SERIES REFRIGERANT SOLENOID VALVES (CONTINUED)

VALVE CONFIG.	PORT SIZE (IN)	CONN. SIZE & TYPE (IN)	EXTD. ENDS	NOMINAL LIQUID CAPACITY - TONS (kW)									MODEL NUMBER	ITEM NUMBER
				R-22	R-134a	R-290	R-404A / R-507	R-407C	R-410A	R-448A / R-449A	R-450A / R-513A	R-744		
Standard	5/16	3/8 ODF	Yes	8.2 (28.9)	6.2 (21.8)	8.6 (30.1)	5.3 (18.6)	7.7 (27.2)	7.7 (26.4)	8.3 (29.0)	5.7 (19.9)	18.7 (65.5)	200RB 5T3VLC	061227
		1/2 SAE	—										200RB 5F4VLC	047519
	5/16	1/2 ODF X 5/8 ODM	—	8.2 (28.9)	6.2 (21.8)	8.6 (30.1)	5.3 (18.6)	7.7 (27.2)	7.7 (26.4)	8.3 (29.0)	5.7 (19.9)	18.7 (65.5)	200RB 5S4VLC	047524
		1/2 ODF	Yes										200RB 5T4VLC	057206
		5/8 SAE	—										200RB 5F5VLC	059729
		5/8 ODF	—										200RB 5S5VLC	049201
		5/8 ODF	Yes										200RB 5T5VLC	059730
	3/8	1/2 ODF X 5/8 ODM	—	9.5 (33.3)	7.2 (25.2)	9.9 (34.7)	6.1 (21.5)	8.9 (31.4)	8.9 (31.3)	9.5 (33.5)	6.5 (23.0)	21.5 (75.6)	200RB 6S4VLC	047537
		1/2 ODF	Yes										200RB 6T4VLC	047544
		5/8 SAE	—										200RB 6F5VLC	059732
		5/8 ODF	—										200RB 6S5VLC	047540
		5/8 ODF	Yes										200RB 6T5VLC	056766
	7/16	5/8 ODF X 7/8 ODM	—	17.0 (59.8)	12.7 (44.6)	—	11.1 (39.0)	16.2 (57.0)	15.7 (55.2)	17.1 (60.0)	11.7 (41.2)	37.7 (132.3)	200RB 7S5VLC	064037
		5/8 ODF	Yes			—							200RB 7T5VLC	064063
		7/8 ODF	Yes			—							200RB 7T7VLC	064282
	9/16	7/8 ODF	—	29.5 (103.8)	22.5 (79.1)	—	18.3 (64.2)	28.0 (98.3)	27.7 (97.6)	29.6 (104.2)	20.3 (71.5)	67.7 (238.0)	200RB 9T7VLC	064645
		1-1/8 ODF	Yes			—							200RB 9T9VLC	064767
	Bi-Directional	3/16	3/8 ODF	Yes	4.8 (17.0)	4.4 (15.6)	5.0 (17.6)	3.2 (11.3)	4.5 (16.0)	4.5 (15.8)	5.6 (19.6)	3.3 (11.6)	10.9 (38.2)	200RB 3T3BFVLC
1/4			3/8 ODF	Yes	5.6 (19.8)	5.3 (18.6)	5.8 (20.4)	3.7 (13.1)	5.3 (18.8)	7.5 (26.4)	5.5 (19.3)	18.0 (63.3)	200RB 4T3BFVLC	009690
5/16		1/2 ODF	Yes	8.2 (29.0)	7.8 (27.7)	8.6 (30.2)	5.4 (19.1)	7.8 (27.6)	7.7 (26.4)	9.5 (33.5)	5.7 (19.9)	18.7 (65.5)	200RB 5T4BFVLC	009692
		5/8 ODF	Yes										200RB 5T5BFVLC	009693
3/8		5/8 ODF	Yes	10.0 (35.4)	9.4 (33.4)	9.9 (34.8)	6.5 (23.0)	9.5 (33.6)	8.9 (31.3)	11.0 (38.7)	6.5 (23.0)	21.5 (75.6)	200RB 6T5BFVLC	009694
Mounting Stud	1/8	1/4 ODF	Yes	3.6 (12.7)	2.7 (9.6)	3.8 (13.4)	2.3 (8.2)	3.4 (11.9)	3.4 (11.9)	3.6 (12.7)	2.5 (8.7)	8.2 (28.7)	200RB 2T2TVLC	053236
		3/8 ODF	Yes										200RB 2T3TVLC	054170
	3/16	3/8 SAE	—	4.8 (16.9)	3.6 (12.7)	5.0 (17.6)	3.1 (10.9)	4.5 (15.9)	4.5 (15.8)	4.8 (17.0)	3.3 (11.6)	10.9 (38.2)	200RB 3F3TVLC	056438
		3/8 ODF	Yes										200RB 3T3TVLC	049585
		1/2 SAE	—										200RB 3F4TVLC	055855
	1/4	3/8 SAE	—	8.0 (28.0)	6.0 (21.1)	8.3 (29.2)	5.1 (18.0)	7.5 (26.3)	7.5 (26.4)	8.0 (28.1)	5.5 (19.3)	18.0 (63.3)	200RB 4F3TVLC	047508
		3/8 ODF X 1/2 ODM	—										200RB 4S3TVLC	047513
		3/8 ODF	Yes										200RB 4T3TVLC	049162
		1/2 ODF X 5/8 ODM	—										200RB 4S4TVLC	047515
		1/2 ODF	Yes										200RB 4T4TVLC	049163
		5/8 ODF	Yes										200RB 4T5TVLC	058045
	5/16	3/8 ODF	Yes	8.2 (28.9)	6.2 (21.8)	8.6 (30.1)	5.3 (18.6)	7.7 (27.2)	7.7 (26.4)	8.3 (29.0)	5.7 (19.9)	18.7 (65.5)	200RB 5T3TVLC	054323
		1/2 SAE	—										200RB 5F4TVLC	047521
		1/2 ODF X 5/8 ODM	—										200RB 5S4TVLC	047526
		1/2 ODF	Yes										200RB 5T4TVLC	049164
		5/8 SAE	—										200RB 5F5TVLC	047523
		5/8 ODF	—										200RB 5S5TVLC	047528
		5/8 ODF	Yes										200RB 5T5TVLC	049165
3/8	1/2 SAE	—	9.5 (33.3)	7.2 (25.2)	9.9 (34.7)	6.1 (21.5)	8.9 (31.4)	8.9 (31.3)	9.5 (33.5)	6.5 (23.0)	21.5 (75.6)	200RB 6F4TVLC	047531	
	1/2 ODF X 5/8 ODM	—										200RB 6S4TVLC	047539	
	1/2 ODF	Yes										200RB 6T4TVLC	047546	
	5/8 SAE	—										200RB 6F5TVLC	047534	
	5/8 ODF	—										200RB 6S5TVLC	047542	
	5/8 ODF	Yes										200RB 6T5TVLC	047548	

200RB SERIES REFRIGERANT SOLENOID VALVES (CONTINUED)

VALVE CONFIG.	PORT SIZE (IN)	CONN. SIZE & TYPE (IN)	EXTD. ENDS	NOMINAL LIQUID CAPACITY - TONS (kW)									MODEL NUMBER	ITEM NUMBER	
				R-22	R-134a	R-290	R-404A / R-507	R-407C	R-410A	R-448A / R-449A	R-450A / R-513A	R-744			
Mounting Stud	7/16	5/8 ODF	—	17.0 (59.8)	12.7 (44.6)	—	11.1 (39.0)	16.2 (57.0)	15.7 (55.2)	17.1 (60.0)	11.7 (41.2)	37.7 (132.3)	200RB 7T5TVLC	064562	
		7/8 ODF	Yes			—							200RB 7T7TVLC	064284	
	9/16	5/8 ODF	Yes	29.5 (103.8)	22.5 (79.1)	—	18.3 (64.2)	28.0 (98.3)	27.7 (97.6)	29.6 (104.2)	20.3 (71.5)	67.7 (238.0)	200RB 9T5TVLC	064764	
		7/8 ODF	Yes			—							200RB 9T7TVLC	064766	
		1-1/8 ODF	Yes			—							200RB 9T9TVLC	064769	
Manual Opening Stem	3/16	3/8 ODF	—	4.8 (16.9)	3.6 (12.7)	5.0 (17.6)	3.1 (10.9)	4.5 (15.9)	4.5 (15.8)	4.8 (17.0)	3.3 (11.6)	10.9 (38.2)	200RB 3T3MVLC	065620	
		1/2 ODF	—										200RB 3T4MVLC	065621	
	1/4	3/8 SAE	—	8.0 (28.0)	6.0 (21.1)	8.3 (29.2)	5.1 (18.0)	7.5 (26.3)	7.5 (26.4)	8.0 (28.1)	5.5 (19.3)	18.0 (63.3)	200RB 4F3MVLC	047507	
		3/8 ODF X 1/2 ODM	—										200RB 4S3MVLC	047512	
		3/8 ODF	Yes										—	200RB 4T3MVLC	049186
		1/2 ODF X 5/8 ODM	—										—	200RB 4S4MVLC	047514
		1/2 ODF	Yes										—	200RB 4T4MVLC	049187
		5/8 ODF	Yes										—	200RB 4T5MVLC	056518
	5/16	1/2 SAE	—	8.2 (28.9)	6.2 (21.8)	8.6 (30.1)	5.3 (18.6)	7.7 (27.2)	7.7 (26.4)	8.3 (29.0)	5.7 (19.9)	18.7 (65.5)	200RB 5F4MVLC	047520	
		1/2 ODF X 5/8 ODM	—										200RB 5S4MVLC	047525	
		1/2 ODF	Yes										—	200RB 5T4MVLC	049188
		5/8 SAE	—										—	200RB 5F5MVLC	047522
		5/8 ODF	—										—	200RB 5S5MVLC	047527
		5/8 ODF	Yes										—	200RB 5T5MVLC	049189
	3/8	1/2 SAE	—	9.5 (33.3)	7.2 (25.2)	9.9 (34.7)	6.1 (21.5)	8.9 (31.4)	8.9 (31.3)	9.5 (33.5)	6.5 (23.0)	21.5 (75.6)	200RB 6F4MVLC	047530	
		1/2 ODF X 5/8 ODM	—										200RB 6S4MVLC	047538	
		1/2 ODF	Yes										—	200RB 6T4MVLC	047545
		5/8 SAE	—										—	200RB 6F5MVLC	047533
		5/8 ODF	—										—	200RB 6S5MVLC	047541
		5/8 ODF	Yes										—	200RB 6T5MVLC	047547
	7/16	5/8 ODF	Yes	17.0 (59.8)	12.7 (44.6)	—	11.1 (39.0)	16.2 (57.0)	15.7 (55.2)	17.1 (60.0)	11.7 (41.2)	37.7 (132.3)	200RB 7T5MVLC	064267	
		7/8 ODF	Yes										—	200RB 7T7MVLC	064283
	9/16	5/8 ODF	Yes	29.5 (103.8)	22.5 (79.1)	—	18.3 (64.2)	28.0 (98.3)	27.7 (97.6)	29.6 (104.2)	20.3 (71.5)	67.7 (238.0)	200RB 9T5MVLC	064763	
7/8 ODF		Yes	—										200RB 9T7MVLC	064765	
	1 1/8 ODF	Yes	—	—	—	—	—	—	—	—	—	200RB 9T9MVLC	064768		

Capacities based on 100°F liquid and 40°F saturated evaporator per ARI standard 760-87. All ratings are based on largest connection size.



Detailed product drawings

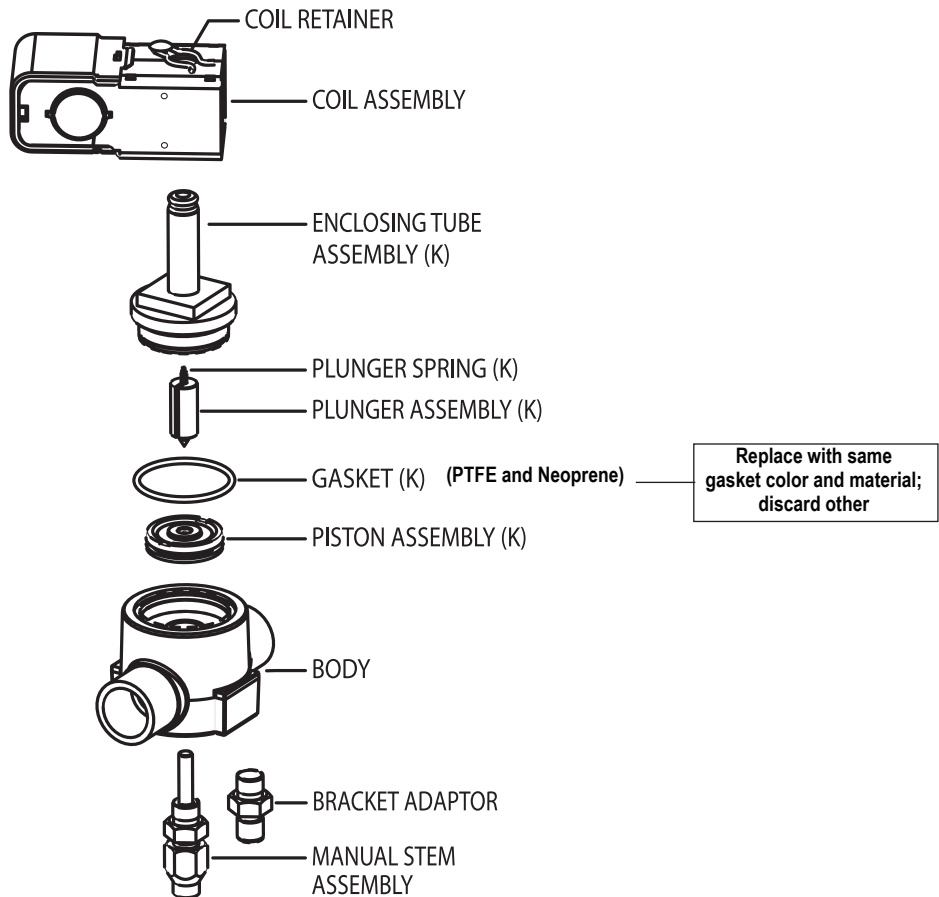
Extended capacity tables



EXPLODED VIEW & PARTS KIT DATA

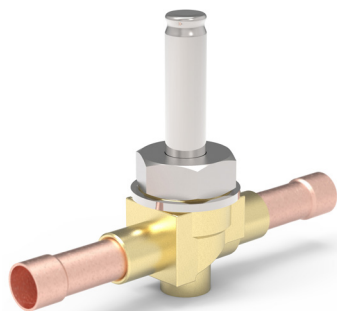
200RB SERIES PART KITS

DESCRIPTION	MODEL NUMBER	ITEM NUMBER
Complete Kits		
Complete Valve Repair Kit (K) for 200RB/RD 2 - 200RB/RD 6	KS-30115	049194
Complete Valve Repair Kit (K) for 200RB/RD 7	KS-30354	064263
Complete Valve Repair Kit (K) for 200RB/RD 9	KS-30362	064825
Manual Opener Kits		
Solenoid Valve Manual Opener Kit 200RB 3	KS-30377	065695
Solenoid Valve Manual Opener Kit 200RB 4 - 200RB 6	KS-30117	053959
Solenoid Valve Manual Opener Kit 200RB 7	KS-30361	064831
Solenoid Valve Manual Opener Kit 200RB 9	KS-30364	064832
Gasket Kits		
Gasket Kit for 200RB/RD 7	KG-00002	064262
Gasket Kit for 200RB/RD 9	KG-00003	064830
Gasket Kit for 200RB/RD 2 - 200RB/RD 6 and 500RB, 12 PTFE and 12 Neoprene O-Rings	KG-10025	049190
Bi-Directional Kit		
Bi-Directional Flow Valve Kit for 200RB/RD 2 - 200RB/RD 6	KS-30293	056431
Tool Kit		
Magnetic Solenoid Tool closes a normally closed solenoid valve in the de-energized state, incorporates a spanner wrench for easy disassembly of solenoid valve series 100RB, 200RB, 240RA and provides an orifice to manually adjust opening stem.	SOLENOID TOOL	066019



VALVE REPAIR KIT

(K) indicates part is supplied in valve repair kit.



200RC 4T4 VLC 802081

200RC SERIES REFRIGERANT SOLENOID VALVES

The 200RC Series is a pilot-operated, 2-way, normally closed valve used for liquid, discharge, or suction gas refrigerant service. It is designed specifically for R-744 refrigeration systems.

FEATURES

- Designed for the high pressure requirements of R-744 refrigeration systems
- Brass forged body with copper connections
- Extended ends for easy installation
- Mounting screw with washer
- Coil Options: AM and DM Series (24 vac 50/60 Hz, 120 vac 50/60 Hz, and 208-240 vac 50/60 Hz)

SPECIFICATIONS

Maximum Fluid Temperature 250°F (121°C)
 Maximum Working Pressure 1885 psig (130 bar)
 Maximum Operating Pressure Differential (MOPD - See COILS).... Up to 870 psig (60 bar)
 Minimum Operating Pressure Differential 2 psi (0.15 bar)
 UL/CUL File Number MP604
 Marking CE, UKCA , EAC

MODEL NUMBER NOMENCLATURE - EXAMPLE: 200RC 4T4 VLC 802081

VALVE SERIES	DESIGN SERIES	PORT SIZE	CONNECTION TYPE	CONNECTION SIZE	COIL*	UNIQUE IDENTIFIER
200R	C	4	T	4	VLC	802081
Pilot-Operated Normally Closed Refrigerant Solenoid Valve						
	C = CO2	In 1/16"	T = ODF Extended Ends	In 1/8"	VLC = Valve Less Coil	

* VALVES IN CATALOG ARE SHIPPED WITHOUT SOLENOID COILS (VLC = VALVE LESS COIL). SEE COILS TABLE BELOW FOR ORDERING INFORMATION.

200RC SERIES VALVES: NOMINAL R-744 CAPACITIES - TONS (kW)

PORT SIZE (IN.)	CONNECTION SIZE (IN.) & TYPE	Cv	LIQUID	SUCTION	DISCHARGE	MODEL NUMBER	ITEM NUMBER
3/16	3/8 ODF	0.95	10.9 (38.2)	0.94 (3.30)	1.16 (4.09)	200RC 3T3 VLC 802080	802080
1/4	1/2 ODF	1.35	18.0 (63.3)	1.76 (6.19)	2.18 (7.67)	200RC 4T4 VLC 802081	802081

LIQUID NOMINAL CAPACITIES ARE DETERMINED AT 20°F (-7°C) EVAPORATING TEMPERATURE AND 7 PSI (0.5 BAR) DROP ACROSS SOLENOID VALVE.
 SUCTION GAS NOMINAL CAPACITIES ARE DETERMINED AT 20°F (-7°C) LIQUID, -20°F (-29°C) EVAPORATING TEMPERATURE, 25°F (14°C) SUPERHEAT AND 2 PSI (0.15 BAR) DROP ACROSS SOLENOID VALVE.
 DISCHARGE GAS NOMINAL CAPACITIES ARE DETERMINED AT 2 PSI (0.15 BAR) PRESSURE DROP ACROSS SOLENOID VALVE.
 FLOW COEFFICIENT CV IS US GALLONS PER MINUTE (GPM) OF WATER AT 60°F WITH 1 PSI PRESSURE DROP ACROSS THE VALVE.

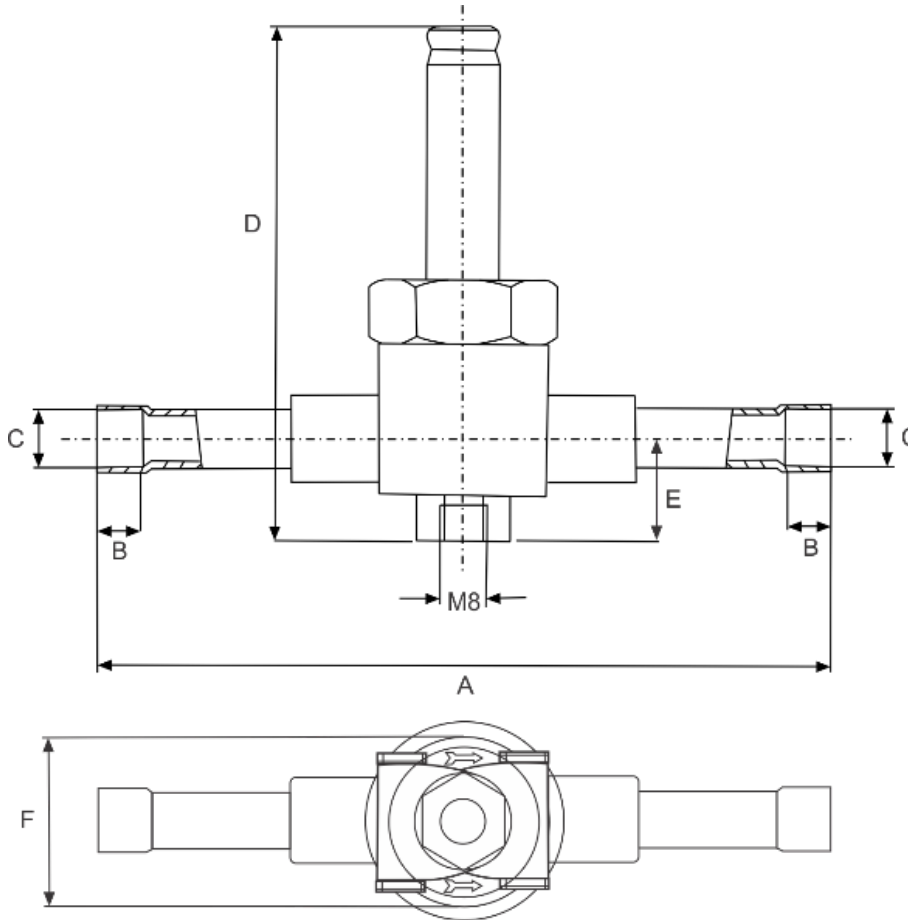
RECOMMENDED COILS FOR 200RC SERIES VALVES

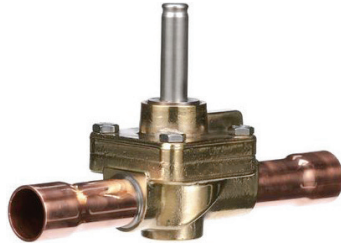
COIL SERIES	VOLTAGE	WATTS	MOPD	ENCLOSURE TYPE	LEAD	MODEL NUMBER	ITEM NUMBER
AMG	24 (50/60 Hz)	17/12	870 psi (60 bar)	Junction Box	6 inch (152 mm)	AMG 1-01	057341
	120 (50/60 Hz)	17/12	870 psi (60 bar)			AMG 2-01	057331
	120-240 (50/60 Hz)	17/12	870 psi (60 bar)			AMG 4-01	057343
	208-220 (50 Hz)	17	870 psi (60 bar)	Junction Box	6 inch (152 mm)	AMG 3-01	057342
	208-240 (60 Hz)	12	780 psi (54 bar)				

ADDITIONAL AM AND DM SERIES COILS ARE APPROVED WITH THE SAME PRESSURE RATINGS SHOWN ABOVE FOR 24 VAC, 120 VAC, AND 208-240 VAC ONLY. SEE CATALOG FOR ORDERING INFORMATION

200RC DIMENSIONS - IN. (mm)

MODEL NUMBER	C	A	B	D	E	F
200RC 3T3 VLC 802080	3/8 (10)	5.0 (126)	0.3 (8)	3.5 (88)	0.7 (18)	1.1 (29)
200RC 4T4 VLC 802081	1/2 (12)	5.0 (126)	0.4 (10)	3.5 (88)	0.7 (18)	1.1 (29)





250RA 12T9VLC-01

250RA SERIES REFRIGERANT SOLENOID VALVES

The 250RA is a 2-way, normally closed diaphragm valve used for liquid, suction, and hot gas service. It is applied in various commercial air-conditioning and refrigeration systems.

FEATURES

- Single coil family fits all sizes
- Can be brazed into the line without disassembly
- Compatible with all A1 class refrigerants and A2L class refrigerants R-32, R-452B, R-454A, R-454B, R-455A
- PTFE upgraded diaphragm design for high temperature and pressure applications
- Extended ends for easy installation (standard)
- Mounting stud models can be field converted to manual stem

SPECIFICATIONS

Maximum Fluid Temperature..... 250°F (121°C)
 Maximum Working Pressure..... 680 psig (35 bar)
 Maximum Operating Pressure Differential 300 psig (21 bar)
 UL/CUL File Number MP604

MODEL NUMBER NOMENCLATURE - Example: 250RA 12T9VLC-01

VALVE SERIES	DESIGN SERIES	PORT SIZE	CONNECTION TYPE	CONNECTION SIZE	VALVE CONFIGURATION	*COIL	SEQUENTIAL IDENTIFIER	CUSTOMER SPECIAL	PACK TYPE
250R	A	12	T	9	M	VLC	-01 Thru -99	G = Customer Special (Omit for Standard)	B1 = Bulk Pack (Omit for Individual Pack)
Normally Closed Solenoid Valves with increased MWP	Diaphragm Design	In 1/16"	T = ODF Extended End	In 1/8"	M = Manual Opening Stem T = Mounting Stud (Omit for Standard)	VLC = Valve Less Coil For Valves with Coil See Coil Nomenclature on Coil Catalog Page			

* Valves in catalog are shipped without solenoid coils (VLC = Valve Less Coil). See Coil pages for coil selection and a complete list of voltage options.

250RA SERIES REFRIGERANT SOLENOID VALVES

VALVE CONFIG.	PORT SIZE (IN)	CONN. SIZE & TYPE	NOMINAL LIQUID CAPACITY - TONS (KW)											MODEL NUMBER	ITEM NUMBER
			R134a	R22	R32	R404A / R507	R407A	R407C	R410A	R448A / R449A	R450A / R513A	R-454A	R454B / R452B		
Standard Valve	1/2	5/8 ODF	12.1 (42.6)	15.6 (54.9)	21.2 (74.6)	10.3 (36.2)	11.0 (38.8)	14.8 (52.1)	14.6 (51.2)	15.7 (55.1)	10.8 (37.8)	14.5 (51.0)	14.1 (49.6)	250RA 8T5VLC-01	1838403
Mounting Stud		5/8 ODF												250RA 8T5TVLC-01	1838391
Manual Opening Stem		5/8 ODF												250RA 8T5MVLC-01	1840052
Manual Opening Stem		7/8 ODF												250RA 8T7MVLC-01	1840061
Standard Valve	9/16	7/8 ODF	21.0 (74.0)	30.5 (107.3)	41.5 (145.9)	20.1 (70.7)	21.6 (75.9)	29.0 (102.0)	28.5 (100.2)	30.6 (107.7)	21.0 (74.0)	28.3 (99.6)	27.6 (97.0)	250RA 9T7VLC-01	1838420
Mounting Stud		7/8 ODF												250RA 9T7TVLC-01	1838411
Manual Opening Stem		5/8 ODF												250RA 9T5MVLC-01	1840079
Manual Opening Stem		7/8 ODF												250RA 9T7MVLC-01	1840087
Standard Valve	3/4	1-1/8 ODF	27.1 (95.3)	34.9 (122.7)	47.5 (166.9)	23.0 (80.9)	24.7 (86.9)	33.2 (116.8)	32.6 (114.6)	29.0 (102.0)	24.1 (84.6)	32.4 (114.0)	31.5 (111.0)	250RA 12T9VLC-01	1838340
Mounting Stud		1-1/8 ODF												250RA 12T9TVLC-01	1838331
Manual Opening Stem		7/8 ODF												250RA 12T7MVLC-01	1839991
Manual Opening Stem		1-1/8 ODF												250RA 12T9MVLC-01	1840001
Standard Valve	1	1-3/8 ODF	45.0 (158.3)	58.0 (203.9)	78.9 (277.4)	38.3 (134.7)	41.1 (144.4)	55.2 (194.1)	54.2 (190.5)	58.2 (204.8)	40.0 (140.6)	53.9 (189.4)	52.4 (184.4)	250RA 16T11VLC-01	1838366
Mounting Stud		1-3/8 ODF												250RA 16T11TVLC-01	1838358
Manual Opening Stem		1-1/8 ODF												250RA 16T9MVLC-01	1840028
Manual Opening Stem		1-3/8 ODF												250RA 16T11MVLC-01	1840010
Standard Valve	1-1/4	1-5/8 ODF	70.9 (249.4)	95.4 (335.5)	129.7 (456.3)	65.7 (231.1)	67.5 (237.5)	90.8 (319.3)	89.1 (313.4)	95.8 (336.8)	65.8 (231.3)	88.6 (311.6)	86.2 (303.3)	250RA 20T13VLC-01	1838382
Mounting Stud		1-5/8 ODF												250RA 20T13TVLC-01	1838374
Manual Opening Stem		1-3/8 ODF												250RA 20T11MVLC-01	1840036
Manual Opening Stem		1-5/8 ODF												250RA 20T13MVLC-01	1840044

Capacities based on 100°F liquid and 40°F saturated evaporator per AHRI standard 760. All ratings are based on largest connection size.

EXPLODED VIEW & PARTS KIT DATA

250RA SERIES PART KITS

DESCRIPTION	MODEL NUMBER	ITEM NUMBER
Repair Kits		
250RA 8 Solenoid Valve Repair Kit (K)	KS-30401	1838462
250RA 9 Solenoid Valve Repair Kit (K)	KS-30402	1838471
250RA 12 Solenoid Valve Repair Kit (K)	KS-30403	1838489
250RA 16 Solenoid Valve Repair Kit (K)	KS-30404	1838497
240RA, 250RA 20 Solenoid Valve Complete Kit (K)	KS-30325	060630
Manual Opener Kits		
240RA, 250RA 8 Solenoid Valve Manual Opener Kit (M)	KS-30066	044657
240RA, 250RA 9 and 12 Solenoid Valve Manual Opener Kit (M)	KS-30067	044658
240RA, 250RA 16 Solenoid Valve Manual Opener Kit (M)	KS-30068	044491
240RA, 250RA 20 Solenoid Valve Manual Opener Kit (M)	KS-30098	047723
Gasket Kits		
240RA, 250RA, 540RA Gasket Kit (G)	KG-10028	054356
Tool Kits		
Magnetic Solenoid Tool opens a normally closed solenoid valve in the de-energized state and provides an orifice to manually adjust opening stem.	SOLENOID TOOL	066019

VALVE REPAIR KIT

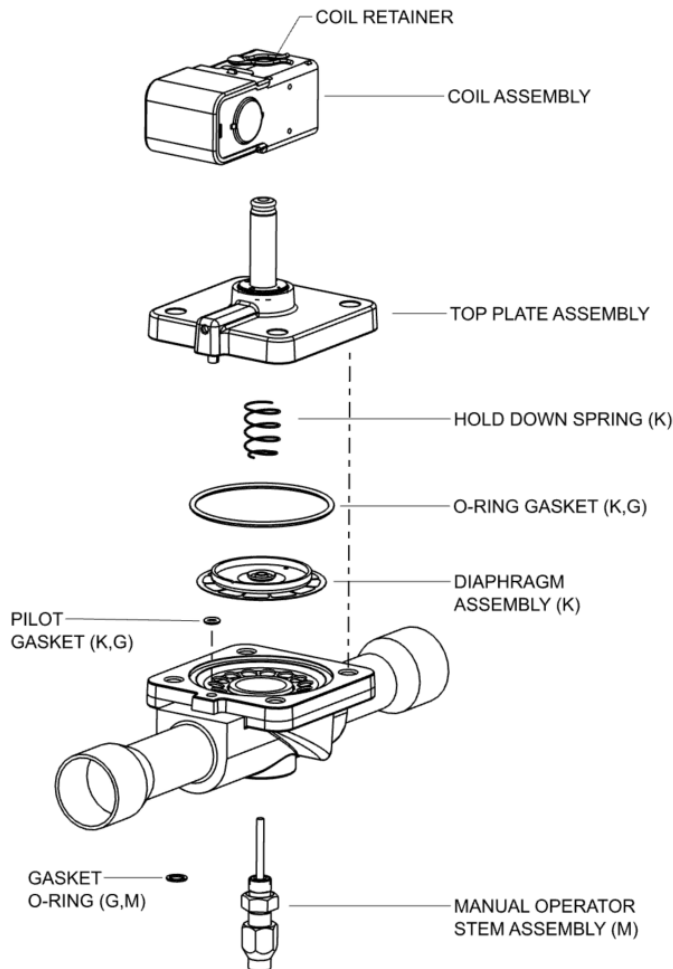
(K) indicates part is supplied in valve repair kit.

MANUAL STEM KIT

(M) indicates part is supplied in manual stem kit

GASKET KIT

(G) indicates gasket is supplied in gasket kit.



Extended capacity tables



EXPLODED VIEW & PARTS KIT DATA

240RA SERIES PART KITS

DESCRIPTION	MODEL NUMBER	ITEM NUMBER
Complete Kits		
200RA 8 Solenoid Valve Complete Kit (K)	KS-30321	060626
200RA 9 Solenoid Valve Complete Kit (K)	KS-30322	060627
240RA 12 Solenoid Valve Complete Kit (K)	KS-30323	060628
240RA 16 Solenoid Valve Complete Kit (K)	KS-30324	060629
240RA 20 Solenoid Valve Complete Kit (K)	KS-30325	060630
Manual Opener Kits		
240RA 8 Solenoid Valve Manual Opener Kit (M)	KS-30066	044657
240RA 9 and 240RA 12 Solenoid Valve Manual Opener Kit (M)	KS-30067	044658
240RA 16 Solenoid Valve Manual Opener Kit (M)	KS-30068	044491
240RA 20 Solenoid Valve Manual Opener Kit (M)	KS-30098	047723
Gasket Kits		
240RA and 540RA Gasket Kit (G)	KG-10028	054356
Tool Kits		
100RB, 240RA and 540RA Solenoid Valve Universal (2/3 hole) Spanner Wrench (Included in complete valve kit)	X-11981-1	027451
Magnetic Solenoid Tool opens a normally closed solenoid valve in the de-energized state, incorporates a spanner wrench for easy disassembly of solenoid valve series 100RB, 200RB, 240RA, and provides an orifice to manually adjust opening stem.	SOLENOID TOOL	066019

VALVE REPAIR KIT

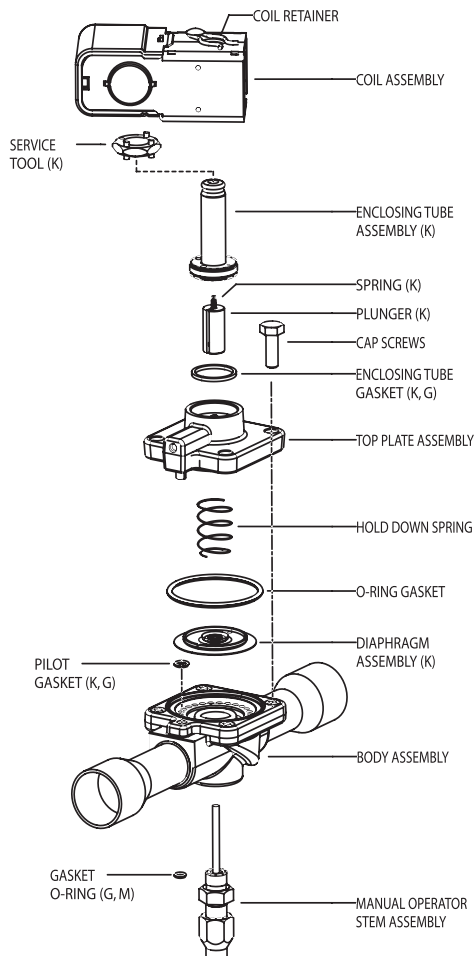
(K) indicates part is supplied in valve repair kit.

MANUAL STEM KIT

(M) indicates part is supplied in manual stem kit

GASKET KIT

(G) indicates gasket is supplied in gasket kit.



500RB SERIES REFRIGERANT SOLENOID VALVES

The 500RB is a pilot-operated, normally open valve used for liquid, suction and hot gas service.



500RB 4T3VLC

FEATURES

- Single coil family fits all valve sizes
- Extended ends for easy installation
- Low pressure differential required for full opening
- PTFE O-ring for superior external sealing
- Optional SAE, ODF, NPTF and ODF inlet with ODM outlet
- Field serviceable parts available

SPECIFICATIONS

Maximum Fluid Temperature.....	250°F (121°C)
Maximum Working Pressure.....	680 psig (47 bar)
Maximum Operating Pressure Differential.....	275 psig (19 bar)
UL/CUL File Number	MP604

MODEL NUMBER NOMENCLATURE - Example: 500RB 4T3VLC

VALVE SERIES	DESIGN SERIES	PORT SIZE	CONNECTION TYPE	CONNECTION SIZE	*COIL	SEQUENTIAL IDENTIFIER	CUSTOMER SPECIAL	PACK TYPE
500R	B	4	T	3	VLC			
Pilot-Operated Normally Open Refrigerant Solenoid Valves	Piston Design	In 1/16" Increments	F = SAE P = NPTF S = ODF Inlet/ODM Outlet T = ODF (Copper Extended Fittings)	Connection Size In 1/8" Increments	VLC = Valve Less Coil For Valves with Coil See Coil Nomenclature on Coil Catalog Page	Blank Thru -99	G = Customer Special (Omit for Standard)	B1 = Bulk Pack (Omit for Individual Pack)

* Valves are shipped without the solenoid coils (VLC = Valve Less Coil). See coil assemblies for availability. Valves require a DM, MM coil.

500RB SERIES REFRIGERANT SOLENOID VALVES

PORT SIZE (IN)	CONNECTION SIZE & TYPE	NOMINAL LIQUID CAPACITY - TONS (kW)									MODEL NUMBER	ITEM NUMBER
		R-22	R-134a	R-290	R-404A / R-507	R-407C	R410A	R-448A / R-449A	R-450A / R-513A	R-744		
1/8	1/4" SAE										500RB 2F2VLC	063274
	1/4" ODF	3.6 (12.7)	2.7 (9.6)	3.8 (13.4)	2.3 (8.2)	3.4 (11.9)	3.4 (11.9)	3.6 (12.7)	2.5 (8.7)	8.2 (28.7)	500RB 2T2VLC	063278
	3/8" ODF										500RB 2T3VLC	063280
3/16	1/2" SAE	4.8 (16.9)	3.6 (12.7)	5.0 (17.6)	3.1 (10.9)	4.5 (15.9)	4.5 (15.9)	4.8 (17.0)	3.3 (11.6)	10.9 (38.2)	500RB 3F4VLC	063286
1/4	1/4" ODF	8.0 (28.0)	6.0 (21.1)	8.3 (29.2)	5.1 (18.0)	7.5 (26.3)	7.5 (26.3)	8.0 (28.1)	5.5 (19.3)	18.0 (63.3)	500RB 4T2VLC	063304
	3/8" SAE	4.8 (16.9)	3.6 (12.7)	5.0 (17.6)	3.1 (10.9)	4.5 (15.9)	4.5 (15.9)	4.8 (17.0)	3.3 (11.6)	18.0 (63.3)	500RB 4F3VLC	063294
	3/8" NPTF										500RB 4P3VLC	063298
	3/8" ODF										500RB 4T3VLC	063306
	1/2" ODF X 5/8" ODM	8.0 (28.0)	6.0 (21.1)	8.3 (29.2)	5.1 (18.0)	7.5 (26.3)	7.5 (26.3)	8.0 (28.1)	5.5 (19.3)	18.0 (63.3)	500RB 4S4VLC	063302
	1/2" ODF										500RB 4T4VLC	063308
	5/8" ODF										500RB 4T5VLC	063310
5/16	3/8" NPTF										500RB 5P3VLC	063316
	3/8" ODF										500RB 5T3VLC	063322
	1/2" SAE	8.2 (21.8)	6.2 (21.8)	8.6 (30.1)	5.3 (18.6)	7.7 (27.2)	7.7 (27.2)	8.3 (29.0)	5.7 (19.9)	18.7 (65.5)	500RB 5F4VLC	063312
	1/2" ODF X 5/8" ODM										500RB 5S4VLC	063318
	5/8" SAE										500RB 5F5VLC	063314
	5/8" ODF										500RB 5S5VLC	063320

500RB SERIES REFRIGERANT SOLENOID VALVES (CONTINUED)

PORT SIZE (IN)	CONNECTION SIZE & TYPE	NOMINAL LIQUID CAPACITY - TONS (kW)									MODEL NUMBER	ITEM NUMBER
		R-22	R-134a	R-290	R-404A / R-507	R-407C	R410A	R-448A / R-449A	R-450A / R-513A	R-744		
3/4	3/8" NPTF	9.5 (33.3)	7.2 (25.2)	9.9 (34.7)	6.1 (21.5)	8.9 (31.4)	8.9 (31.4)	9.5 (33.5)	6.5 (23.0)	21.5 (75.6)	500RB 6P3VLC	063331
	1/2" ODF X 5/8" ODM										500RB 6S4VLC	063333
	5/8" SAE										500RB 6F5VLC	063329
	5/8" ODF										500RB 6S5VLC	063335
	1/2" ODF										500RB 6T4VLC	063339
7/16	1/2" ODF	17.0 (59.8)	12.7 (44.6)	—	11.1 (39.0)	16.2 (57.0)	15.7 (55.2)	17.1 (60.0)	11.7 (41.2)	37.7 (132.3)	500RB 7T4VLC	064064
	5/8" ODF X 7/8" ODM										500RB 7S5VLC	064038

NOTE: Capacities based on 100°F liquid and 40°F saturated evaporator per ARI standard 760-87. All ratings are based on largest connection size.

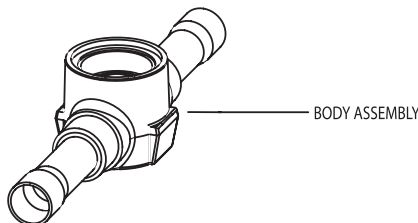
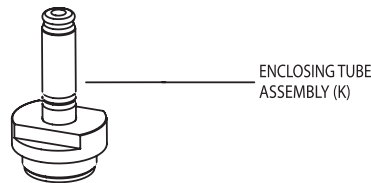
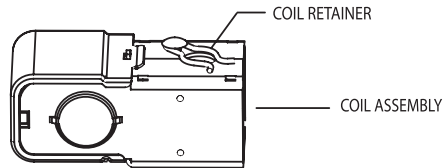
EXPLODED VIEW & PARTS KIT DATA

500RB SERIES PART KITS

DESCRIPTION	MODEL NUMBER	ITEM NUMBER
500RB 2 - 500RB 6 Solenoid Valve Repair Kit (K), Enclosing Tube Assembly and Gasket (PTFE and Neoprene) and Piston Assembly	KS-30353	064268
500RB 7 Solenoid Valve Repair Kit (K), Enclosing Tube Assembly and Gasket (PTFE and Neoprene) and Piston Assembly	KS-30355	064264
200RB 2 - 200RB 6 and 500RB Solenoid Valve Gasket Kit, 12 PTFE and 12 Neoprene O-Rings	KG-10025	049190
Magnetic Solenoid Tool closes a normally open solenoid valve in the de-energized state, incorporates a spanner wrench for easy disassembly of solenoid valve series 500RB, 540RA and provides an orifice to manually adjust opening stem.	SOLENOID TOOL	066019

VALVE REPAIR KIT

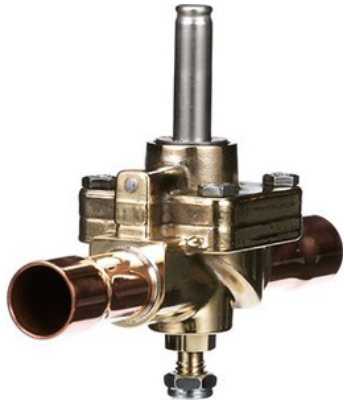
(K) indicates part is supplied in valve repair kit.



Detailed product drawings

Extended capacity tables





540RA 9T7TVLC

540RA SERIES REFRIGERANT SOLENOID VALVES

The 540RA is a 2-way, normally open diaphragm valve used for liquid, suction and hot gas service.

FEATURES

- Single coil family fits all valve sizes
- Can be brazed into the line without disassembly
- PTFE diaphragm
- Extended ends for easy installation
- Low pressure differential required for full opening
- Field serviceable parts available

SPECIFICATIONS

Maximum Fluid Temperature..... 250°F (121°C)
 Maximum Working Pressure..... 500 psig (35 Bar)
 Maximum Operating Pressure Differential 250 psig (17 bar)
 UL/CUL File Number MP604

MODEL NUMBER NOMENCLATURE - Example: 540RA 8T5VLC

VALVE SERIES	DESIGN SERIES	PORT SIZE	CONNECTION TYPE	CONNECTION SIZE	VALVE CONFIGURATION	*COIL	SEQUENTIAL IDENTIFIER	CUSTOMER SPECIAL	PACK TYPE
540R	A	8	T	5		VLC			
Normally Open Refrigerant Solenoid Valve	Diaphragm Design	In 1/16"	T = Copper Extended Ends	In 1/8"	M = Manual Opening Stem T = Mounting Stud (Omit for Std. Valve)	VLC = Valve Less Coil For Valves with Coil See Coil Nomenclature on Coil Catalog Page	Blank Thru -99	G = Customer Special (Omit for Standard)	B1 = Bulk Pack (Omit for Individual Pack)

* Valves are shipped without the solenoid coils (VLC = Valve Less Coil). See coil assemblies for availability. Valves require a DM, MM or ASC2 type coil assembly.

540RA SERIES REFRIGERANT SOLENOID VALVES

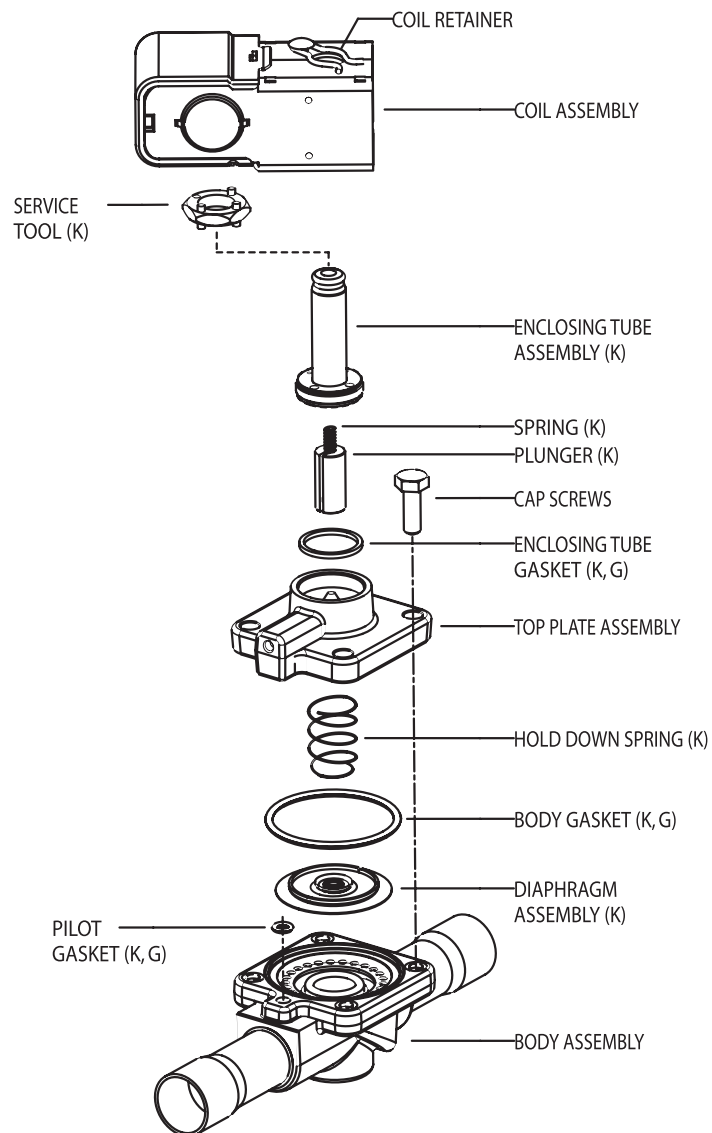
VALVE CONFIG.	PORT SIZE (IN)	CONNECTION SIZE & TYPE	NOMINAL LIQUID CAPACITY - TONS (kW)						MODEL NUMBER	ITEM NUMBER
			R-22	R-134a	R-404A / R-507	R-407C	R-448A / R-449A	R-450A / R-513A		
Standard Valve	1/2	5/8" ODF	15.6 (54.9)	12.1 (42.6)	10.3 (36.2)	14.8 (52.1)	15.7 (55.1)	10.8 (37.8)	540RA 8T5VLC	060392
Standard Valve	9/16	7/8" ODF	30.5 (107.3)	21.0 (74.0)	20.1 (70.7)	29.0 (102.0)	30.6 (107.7)	21.0 (74.0)	540RA 9T7VLC	060395
Standard Valve	3/4	7/8" ODF	34.9 (122.7)	27.1 (95.3)	23.0 (80.9)	33.2 (116.8)	35.0 (123.2)	24.1 (84.6)	540RA 12T7VLC	060397
Standard Valve		1-1/8" ODF							540RA 12T9VLC	060398
Standard Valve	1	1-1/8" ODF	58.0 (203.9)	45.0 (158.3)	38.3 (134.7)	55.2 (194.1)	58.2 (204.8)	40.0 (140.6)	540RA 16T9VLC	060399
Standard Valve	1-1/4	1-5/8" ODF	95.4 (335.5)	70.9 (249.4)	65.7 (231.1)	90.8 (319.3)	95.8 (336.8)	65.8 (231.3)	540RA 20T13VLC	060402
Mounting Stud	1/2	1/2" ODF	15.6 (54.9)	12.1 (42.6)	10.3 (36.2)	14.8 (52.1)	15.7 (55.1)	10.8 (37.8)	540RA 8T4TVLC	058573
Mounting Stud		5/8" ODF							540RA 8T5TVLC	046265
Mounting Stud	9/16	5/8" ODF	23.3 (81.9)	18.0 (63.3)	15.3 (53.8)	22.1 (77.2)	23.4 (82.3)	16.1 (56.5)	540RA 9T5TVLC	046266
Mounting Stud		7/8" ODF							540RA 9T7TVLC	046268
Mounting Stud	3/4	7/8" ODF	34.9 (122.7)	27.1 (95.3)	23.0 (80.9)	33.2 (116.8)	35.0 (123.2)	24.1 (84.6)	540RA 12T7TVLC	046269
Mounting Stud	1	1-1/8" ODF	58.0 (203.9)	45.0 (158.3)	38.3 (134.7)	55.2 (194.1)	58.2 (204.8)	40.0 (140.6)	540RA 16T9TVLC	046270
Mounting Stud	1-1/4	1-3/8" ODF	95.4 (335.5)	70.9 (249.4)	65.7 (231.1)	90.8 (319.3)	95.8 (336.8)	65.8 (231.3)	540RA 20T11TVLC	047953

NOTE: Capacities based on 100°F liquid and 40°F saturated evaporator per ARI standard 760-87. All ratings are based on largest connection size.

540RA SERIES PARTS LIST

DESCRIPTION	MODEL NUMBER	ITEM NUMBER
Complete Kits		
540RA 8 Solenoid Valve Repair Kit (K), Enclosing Tube Assembly and Gasket, Plunger and Spring, Hold Down Spring, Body Gasket and Diaphragm Assembly	KS-30328	060633
540RA 9 Solenoid Valve Repair Kit (K), Enclosing Tube Assembly and Gasket, Plunger and Spring, Hold Down Spring, Body Gasket and Diaphragm Assembly	KS-30329	060634
540RA 12 Solenoid Valve Repair Kit (K), Enclosing Tube Assembly and Gasket, Plunger and Spring, Hold Down Spring, Body Gasket and Diaphragm Assembly	KS-30330	060635
540RA 16 Solenoid Valve Repair Kit (K), Enclosing Tube and Gasket, Plunger and Spring, Hold Down Spring, Body Gasket and Diaphragm Assembly	KS-30331	060636
540RA 20 Solenoid Valve Repair Kit (K), Enclosing Tube and Gasket, Plunger and Spring, Hold Down Spring, Body Gasket and Diaphragm Assembly	KS-30332	060637
Gasket Kit		
240RA and 540RA Gasket Kit (G)	KG-10028	054356
Tool Kits		
100RB, 240RA and 540RA Solenoid Valve Universal (2/3 hole) Spanner Wrench (Included in complete valve kit)	X-11981-1	027451
Magnetic Solenoid Tool closes a normally open solenoid valve in the de-energized state, incorporates a spanner wrench for easy disassembly of solenoid valve series 500RB, 540RA and provides an orifice to manually adjust opening stem.	SOLENOID TOOL	066019

EXPLODED VIEW & PARTS KIT DATA



VALVE REPAIR KIT

(K) indicates part is supplied in valve repair kit.

GASKET KIT

(G) indicates gasket is supplied in gasket kit.



066019

SOLENOID MULTI-PURPOSE TOOL

The Solenoid Multi-Purpose Tool is a magnetic tool that holds key components together as the valve is disassembled. The manual stem adjustment makes it easy to open valves. This tool provides longer life utilizing its spanner wrench which not only makes it easier to service valves, but also protects the enclosing tube from damage.

FEATURES

- Magnet opens a normally closed Copeland solenoid valve that is in the de-energized state
- Incorporates a spanner wrench and drive socket which enables easy disassembly of Copeland solenoid valves 100RB & 240RA/540RA by using a 3/8" socket wrench
- Tool has a manual stem orifice used to manually adjust opening stem
- May reassemble valve with proper torque specifications on collar

SPECIFICATIONS

Drive Socket Size 3/8"

TORQUE SPECIFICATIONS

100RB Series	225 in. lbs. (102.06 kg)
240RA Series	150 in. lbs. (68.04 kg)
540RA Series	150 in. lbs. (68.04 kg)

SOLENOID MULTI-PURPOSE TOOL

MODEL NUMBER	ITEM NUMBER
SOLENOID TOOL	066019

COILS FOR SOLENOID VALVES

A wide range of coils for Refrigerant and Industrial Solenoid Valves in various voltages and configurations.



AMS - OPEN FRAME

FEATURES

- Compact designs
- Coil windings are insulated to provide shock and vibration protection
- ASC2 is designed to provide weather protection
- Interchangeable housings
- Snap-on coil design provides easy installation for A, D and M series coils



ASC2 - DIN

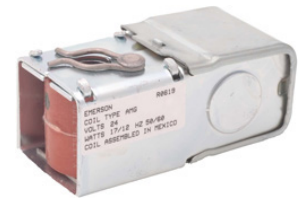
Requires ASC2 female connector (Item Number 059261). For UL50 Type 4 Enclosure.



MMG - SPECIAL DC



AMC - 1/2" CONDUIT



AMG - JUNCTION BOX

MODEL NUMBER NOMENCLATURE - Example: AMG 5-01

SERIES	INSULATION	ENCLOSURE**	COIL CODE		SEQUENTIAL IDENTIFIER	CUSTOMER SPECIAL	PACK TYPE
A	M	G	5		-1		
A = 12 Watt B = 15 Watt D = 7 Watt M = 4 Watt R = 7 Watt	B or G = Class B M = Class F H = Class H	C = Conduit F = Open Frame with Leads G = Junction Box L = Grommet 18" Leads S = Open Frame with Spade Connection ** C and G are UL / Canadian Listed ** F, L and S are UL / Canadian Recognized	1 = 24 50/60 2 = 120 50/60 3 = 208-220 50, 208-240 60 4 = 120-240 50/60 5 = 12dc 6 = 24dc 7 = 100 50/60 8 = 120 60 9 = 200 50/60 10 = 208-240 50/60 11 = 220 50/60	12 = 200-240 50/60 13 = 220/240, 50/60 14 = 230 50/60 15 = 240 50/60 16 = 255 50 17 = 36dc 18 = 600 60 20 = 480 50/60 21 = 6dc 22 = 32dc 24 = 277 60	-01 Thru -99	G = Customer Special (Omit for Standard)	B1 = Bulk Pack (Omit for Individual Pack)

SOLENOID COIL VALVE SERIES SELECTION TABLE

VALVE SERIES	JUNCTION BOX	CONDUIT	LEADS	SPADES	MOLDED-DIN WITH CONNECTOR
50RB	—	—	SML / RMF**	RMS	—
100RB / 200RB / 240RA	AMG / MMG*	AMC / MMC*	AMF	AMS	ASC2 / ASC2L
500RB	DMG	—	DMF	DMS	—
540RA	—	—	—	DMS	ASC2
202CB	AMG / AHG / MMG*	AMC / AHC MMC*	AMF / MMF*	AMS	ASC2 / ASC2L
203CA	AMG / AHG / MMG*	AMC / AHC MMC*	AMF / MMF*	AMS	ASC2 / ASC2L
204CD	AMG / AHG / MMG*	AMC / AHC MMC*	AMF / MMF*	AMS	ASC2 / ASC2L
210CA	AMG / MMG*	AMC / MMC*	AMF / MMF*	AMS	ASC2 / ASC2L
211CA	AMG / MMG*	AMC / MMC*	AMF / MMF*	AMS	ASC2 / ASC2L
222CB	AMG / AHG / MMG*	AMC / AHC MMC*	AMF / MMF*	AMS	ASC2 / ASC2L
214CB	AMG / AHG / MMG*	AMC / AHC MMC*	AMF / MMF*	AMS	ASC2 / ASC2L
314UB	AMG / MMG*	AMC / MMC*	AMF / MMF*	AMS	ASC2 / ASC2L

* Special DC Application

** SML if for OEM, RMF is for wholesale replacement.

Detailed product drawings



COILS FOR SOLENOID VALVES

COIL SERIES	VOLTAGE	WATTS 50/60 HZ	ENCLOSURE TYPE	LEADS	MODEL NUMBER	ITEM NUMBER
AHC	120 50/60	17/12	Conduit	18"	AHC 2-01	057743
AHG	24 50/60	17/12	Junction Box	6"	AHG 1-01	057669
	120 50/60	17/12	Junction Box	6"	AHG 2-01	057673
	208-220 50, 208-240 60	17/12	Junction Box	6"	AHG 3-01	057671
AMC	12dc	15	Conduit	18"	AMC 5-01	057596
	24dc	15	Conduit	18"	AMC 6-01	057633
	24 50/60	17/12	Conduit	18"	AMC 1-01	057631
	120 50/60	17/12	Conduit	18"	AMC 2-01	057598
	120-240 50/60	17/12	Conduit	18"	AMC 4-01	057730
	208-220/50, 208-240/60	17/12	Conduit	18"	AMC 3-01	057594
AMF	12dc	15	Open Frame	18"	AMF 5-01	057543
	24dc	15	Open Frame	18"	AMF 6-01	057545
	24 50/60	17/12	Open Frame	18"	AMF 1-01	057539
	24 50/60	17/12	Open Frame	36"	AMF 1-02	057538
	120 50/60	17/12	Open Frame	18"	AMF 2-01	057546
	208-220 50, 208-240 60	17/12	Open Frame	18"	AMF 3-01	057540
	277 60	17/12	Open Frame	18"	AMF 24-01	057533
	480 50/60	17/12	Open Frame	18"	AMF 20-01	057534
AMG	12dc	15	Junction Box	6"	AMG 5-01	057521
	24dc	15	Junction Box	6"	AMG 6-01	057523
	24 50/60	17/12	Junction Box	6"	AMG 1-01	057341
	120 50/60	17/12	Junction Box	6"	AMG 2-01	057331
	120-240 50/60	17/12	Junction Box	6"	AMG 4-01	057343
	208-220 50, 208-240 60	17/12	Junction Box	6"	AMG 3-01	057342
	277 60	17/12	Junction Box	6"	AMG 24-01	057528
	480 50/60	17/12	Junction Box	6"	AMG 20-01	057527
AMS	24 50/60	17/12	Spade	—	AMS 1-01	057603
	120 50/60	17/12	Spade	—	AMS 2-01	057349
	208-220 50, 208-240 60	17/12	Spade	—	AMS 3-01	057531
ASC2	24dc	15	Din	—	ASC2 6-01	064375
	24 50/60	17/12	Din	—	ASC2 1-01	062792
	120 50/60	17/12	Din	—	ASC2 2-01	062462
	208-220 50, 208-240 60	17/12	Din	—	ASC2 3-01	062463
	24 50/60	17/12	Lead Connection	—	ASC2L 1-01	063542
DMG	24 50/60	10/10	Junction Box	6"	DMG 1-01	055129
	120 50/60	10/10	Junction Box	6"	DMG 2-01	054762
	208-220 50, 208-240 60	10/10	Junction Box	6"	DMG 3-01	054764
DMS	24 50/60	10/10	Spade	—	DMS 1-01	062013
MMF	12dc	4	Open Frame	18"	MMF 5-01	062972
MMG	12dc	4	Junction Box	18"	MMG 5-01	063524
	24dc	4	Junction Box	18"	MMG 6-01	063526
RMF	24 50/60	7	Open Frame Lead	18"	RMF 1-01	065677
	120 50/60	7	Open Frame Lead	—	RMF 2-01	065678
	208-220 50, 208-240 60	7	Open Frame Lead	18"	RMF 3-01	065679
RMS	24 50/60	7	Spade	—	RMS 1-01	065680
	120 50/60	7	Spade	—	RMS 2-01	065204
	208-220 50, 208-240 60	7	Spade	—	RMS 3-01	065681

REFRIGERANT SOLENOID CAPACITY TABLES

LIQUID CAPACITIES - TONS

PRESSURE DROP ACROSS VALVE - PSI				
VALVE SERIES	2	3	4	5
R-12				
50RB	0.34	0.42	0.48	0.54
100RB	0.80	1.00	1.16	1.20
150RB 1	0.80	1.00	1.16	1.20
150RB 3	2.28	2.80	3.23	3.61
150RB 7	3.04	3.72	4.30	4.80
150RB 9	4.95	6.17	7.12	7.97
200RB/500RB 2	2.28	2.80	3.23	3.61
200RB/500RB 3	3.04	3.72	4.30	4.80
200RB/500RB 4	4.95	6.17	7.12	7.97
200RB/500RB 5	5.20	6.38	7.37	8.24
200RB/500RB 6	6.01	7.36	8.50	9.50
200RB/500RB 7	10.75	13.05	15.10	17.05
240RA/250RA/540RA 8	10.00	12.20	14.10	15.80
240RA/250RA/540RA 9T (5/8)	14.90	18.20	21.10	23.60
240RA/250RA/540RA 9T (7/8 & Up)	19.60	24.00	27.70	31.00
240RA/250RA/540RA 12	22.50	27.60	31.80	35.60
240RA/250RA/540RA 16	10.00	12.20	14.10	15.80
240RA/250RA/540RA 20	14.90	18.20	21.10	23.60
R-1234yf				
100RB	0.72	0.88	1.01	1.13
150RB 1	0.72	0.88	1.01	1.13
150RB 3	2.03	2.49	2.88	3.22
150RB 7	2.71	3.32	3.84	4.29
150RB 9	4.49	5.50	6.35	7.10
200RB/500RB 2	2.03	2.49	2.88	3.22
200RB/500RB 3	2.71	3.32	3.84	4.29
200RB/500RB 4	4.49	5.50	6.35	7.10
200RB/500RB 5	4.64	5.69	6.57	7.34
200RB/500RB 6	5.36	6.56	7.58	8.47
R-134a				
50RB	0.41	0.50	0.60	0.60
100RB	0.96	1.20	1.40	1.50
150RB 1	0.96	1.20	1.40	1.50
150RB 3	2.72	3.33	3.85	4.30
150RB 7	3.62	4.44	5.12	5.73
150RB 9	6.00	7.35	8.49	9.49
200RB/500RB 2	2.72	3.33	3.85	4.30
200RB/500RB 3	3.62	4.44	5.12	5.73
200RB/500RB 4	6.00	7.35	8.49	9.49
200RB/500RB 5	6.21	7.60	8.78	9.82
200RB/500RB 6	7.16	8.77	10.13	11.32
200RB/500RB 7	12.68	15.93	18.39	20.56
240RA/250RA/540RA 8	12.10	14.80	17.10	19.10
240RA/250RA/540RA 9T (5/8)	18.00	22.00	25.50	28.50
240RA/250RA/540RA 9T (7/8 & Up)	23.60	28.90	33.40	37.30
240RA/250RA/540RA 12	27.10	33.20	38.30	42.80
240RA/250RA/540RA 16	45.00	55.10	63.60	71.20
240RA/250RA/540RA 20	70.90	86.80	100.30	112.10

LIQUID CAPACITIES - kW

PRESSURE DROP ACROSS VALVE - kPa				
VALVE SERIES	13.8	20.7	27.6	34.5
R-12				
50RB	1.20	1.48	1.69	1.90
100RB	2.81	3.52	4.08	4.22
150RB 1	2.81	3.52	4.08	4.22
150RB 3	8.02	9.85	11.36	12.70
150RB 7	10.69	13.08	15.12	16.88
150RB 9	17.41	21.70	25.04	28.03
200RB/500RB 2	8.02	9.85	11.36	12.70
200RB/500RB 3	10.69	13.08	15.12	16.88
200RB/500RB 4	17.41	21.70	25.04	28.03
200RB/500RB 5	18.29	22.44	25.92	28.98
200RB/500RB 6	21.14	25.88	29.89	33.41
200RB/500RB 7	37.81	45.90	53.11	59.96
240RA/250RA/540RA 8	35.17	42.91	49.59	55.57
240RA/250RA/540RA 9T (5/8)	52.40	64.01	74.21	83.00
240RA/250RA/540RA 9T (7/8 & Up)	68.93	84.41	97.42	109.02
240RA/250RA/540RA 12	79.13	97.07	111.84	125.20
240RA/250RA/540RA 16	35.17	42.91	49.59	55.57
240RA/250RA/540RA 20	52.40	64.01	74.21	83.00
R-1234yf				
100RB	2.52	3.09	3.57	3.99
150RB 1	2.52	3.09	3.57	3.99
150RB 3	7.15	8.76	10.12	11.31
150RB 7	9.54	11.68	13.49	15.08
150RB 9	15.80	19.35	22.34	24.98
200RB/500RB 2	7.15	8.76	10.12	11.31
200RB/500RB 3	9.54	11.68	13.49	15.08
200RB/500RB 4	15.80	19.35	22.34	24.98
200RB/500RB 5	16.34	20.01	23.10	25.83
200RB/500RB 6	18.84	23.07	26.64	29.79
R-134a				
50RB	1.44	1.76	2.11	2.11
100RB	3.38	4.22	4.92	5.28
150RB 1	3.38	4.22	4.92	5.28
150RB 3	9.57	11.71	13.54	15.12
150RB 7	12.73	15.62	18.01	20.15
150RB 9	21.10	25.85	29.86	33.38
200RB/500RB 2	9.57	11.71	13.54	15.12
200RB/500RB 3	12.73	15.62	18.01	20.15
200RB/500RB 4	21.10	25.85	29.86	33.38
200RB/500RB 5	21.84	26.73	30.88	34.54
200RB/500RB 6	25.18	30.84	35.63	39.81
200RB/500RB 7	44.59	56.02	64.68	72.31
240RA/250RA/540RA 8	42.55	52.05	60.14	67.17
240RA/250RA/540RA 9T (5/8)	63.30	77.37	89.68	100.23
240RA/250RA/540RA 9T (7/8 & Up)	83.00	101.64	117.46	131.18
240RA/250RA/540RA 12	95.31	116.76	134.70	150.52
240RA/250RA/540RA 16	158.26	193.78	223.67	250.40
240RA/250RA/540RA 20	249.35	305.27	352.75	394.24

NOTE: Shading indicates AHRI standard ratings
 All liquid capacities are based on 40°F Evaporator Temperature and 100°F Liquid Temperature.
 NOTE: Capacity is based on largest connection size.

LIQUID CAPACITIES - TONS

PRESSURE DROP ACROSS VALVE - PSI				
VALVE SERIES	2	3	4	5
R-22				
50RB	0.44	0.54	0.62	0.69
100RB	1.04	1.27	1.47	1.64
150RB 1	1.04	1.27	1.47	1.64
150RB 3	2.94	3.60	4.16	4.65
150RB 7	3.92	4.80	5.54	6.19
150RB 9	6.49	7.95	9.18	10.26
200RB/500RB 2	2.94	3.60	4.16	4.65
200RB/500RB 3	3.92	4.80	5.54	6.19
200RB/500RB 4	6.49	7.95	9.18	10.26
200RB/500RB 5	6.71	8.22	9.49	10.61
200RB/500RB 6	7.74	9.48	10.95	12.24
200RB/500RB 7	13.50	17.00	18.75	27.85
240RA/250RA/540RA 8	12.70	15.60	18.00	20.10
240RA/250RA/540RA 9T (5/8)	19.00	23.30	26.90	30.10
240RA/250RA/540RA 9T (7/8 & Up)	24.90	30.50	35.20	39.40
240RA/250RA/540RA 12	28.50	34.90	40.30	45.10
240RA/250RA/540RA 16	47.40	58.00	67.00	74.90
240RA/250RA/540RA 20	77.90	95.40	110.20	123.20
R-290				
50RB	0.46	0.56	0.65	0.73
100RB	1.08	1.32	1.53	1.71
150RB 1	1.08	1.32	1.53	1.71
150RB 3	3.06	3.75	4.33	4.84
150RB 7	4.08	5.00	5.78	6.46
150RB 9	6.76	8.25	9.57	10.69
200RB/500RB 2	3.06	3.75	4.33	4.84
200RB/500RB 3	4.08	5.00	5.78	6.46
200RB/500RB 4	6.76	8.25	9.57	10.69
200RB/500RB 5	6.99	8.57	9.89	11.06
200RB/500RB 6	8.07	9.88	11.41	12.75
R-32				
100RB	1.41	1.73	2.00	2.23
150RB 1	1.41	1.73	2.00	2.23
150RB 3	4.00	4.90	5.66	6.32
150RB 7	5.33	6.53	7.53	8.42
150RB 9	8.83	10.81	12.48	13.95
200RB/500RB 2	4.00	4.90	5.66	6.32
200RB/500RB 3	5.33	6.53	7.53	8.42
200RB/500RB 4	8.83	10.81	12.48	13.95
200RB/500RB 5	9.13	11.18	12.91	14.43
200RB/500RB 6	10.53	12.89	14.89	16.65
250RA 8	17.27	21.22	24.48	27.34
250RA 9T (5/8)	25.84	31.69	36.58	40.94
250RA 9T (7/8 & Up)	33.86	41.48	47.87	53.58
250RA 12	38.76	47.46	54.81	61.34
250RA 16	64.46	78.88	91.12	101.86
250RA 20	105.94	129.74	149.87	167.55

LIQUID CAPACITIES - kW

PRESSURE DROP ACROSS VALVE - kPa				
VALVE SERIES	13.8	20.7	27.6	34.5
R-22				
50RB	1.55	1.90	2.18	2.43
100RB	3.66	4.47	5.17	5.77
150RB 1	3.66	4.47	5.17	5.77
150RB 3	10.34	12.66	14.63	16.35
150RB 7	13.79	16.88	19.48	21.77
150RB 9	22.82	27.96	32.29	36.08
200RB/500RB 2	10.34	12.66	14.63	16.35
200RB/500RB 3	13.79	16.88	19.48	21.77
200RB/500RB 4	22.82	27.96	32.29	36.08
200RB/500RB 5	23.60	28.91	33.38	37.31
200RB/500RB 6	27.22	33.34	38.51	43.05
200RB/500RB 7	47.48	59.79	65.94	97.95
240RA/250RA/540RA 8	44.66	54.86	63.30	70.69
240RA/250RA/540RA 9T (5/8)	66.82	81.94	94.60	105.86
240RA/250RA/540RA 9T (7/8 & Up)	87.57	107.27	123.79	138.57
240RA/250RA/540RA 12	100.23	122.74	141.73	158.61
240RA/250RA/540RA 16	166.70	203.98	235.63	263.42
240RA/250RA/540RA 20	273.97	335.51	387.56	433.28
R-290				
50RB	1.62	1.97	2.29	2.57
100RB	3.80	4.64	5.38	6.01
150RB 1	3.80	4.64	5.38	6.01
150RB 3	10.76	13.19	15.23	17.02
150RB 7	14.35	17.58	20.33	22.72
150RB 9	23.77	29.12	33.66	37.60
200RB/500RB 2	10.76	13.19	15.23	17.02
200RB/500RB 3	14.35	17.58	20.33	22.72
200RB/500RB 4	23.77	29.12	33.66	37.60
200RB/500RB 5	24.58	30.14	34.78	38.90
200RB/500RB 6	28.38	34.75	40.13	44.84
R-32				
100RB	4.97	6.07	7.03	7.84
150RB 1	4.97	6.07	7.03	7.84
150RB 3	14.06	17.22	19.90	22.24
150RB 7	18.75	22.96	26.50	29.61
150RB 9	31.04	38.02	43.91	49.07
200RB/500RB 2	14.06	17.22	19.90	22.24
200RB/500RB 3	18.75	22.96	26.50	29.61
200RB/500RB 4	31.04	38.02	43.91	49.07
200RB/500RB 5	32.09	39.32	45.39	50.75
200RB/500RB 6	37.02	45.34	52.37	58.54
250RA 8	60.74	74.61	86.09	96.14
250RA 9T (5/8)	90.88	111.44	128.66	143.97
250RA 9T (7/8 & Up)	119.09	145.88	168.36	188.45
250RA 12	136.31	166.92	192.75	215.71
250RA 16	226.71	277.41	320.46	358.24
250RA 20	372.59	456.29	527.08	589.26

NOTE: Shading indicates AHRI standard ratings
 All liquid capacities are based on 40°F Evaporator Temperature and 100°F Liquid Temperature.
 NOTE: Capacity is based on largest connection size.

LIQUID CAPACITIES - TONS

PRESSURE DROP ACROSS VALVE - PSI				
VALVE SERIES	2	3	4	5
R-404A/R-507				
50RB	0.30	0.34	0.40	0.40
100RB	0.70	0.85	1.00	1.10
150RB 1	0.70	0.85	1.00	1.10
150RB 3	1.90	2.32	2.68	3.00
150RB 7	2.52	3.09	3.57	4.00
150RB 9	4.18	5.12	5.92	6.61
200RB/500RB 2	1.90	2.32	2.68	3.00
200RB/500RB 3	2.52	3.09	3.57	4.00
200RB/500RB 4	4.18	5.12	5.92	6.61
200RB/500RB 5	4.33	5.30	6.12	6.84
200RB/500RB 6	4.99	6.11	7.06	7.89
200RB/500RB 7	9.06	11.10	12.81	14.33
240RA/250RA/540RA 8	8.40	10.30	11.90	13.30
240RA/250RA/540RA 9T (5/8)	12.50	15.30	17.70	19.80
240RA/250RA/540RA 9T (7/8 & Up)	16.40	20.10	23.20	25.90
240RA/250RA/540RA 12	18.80	23.00	26.60	29.70
240RA/250RA/540RA 16	31.30	38.30	44.20	49.40
240RA/250RA/540RA 20	53.60	65.70	75.90	84.80
R-407C				
50RB	0.40	0.51	0.60	0.70
100RB	1.00	1.21	1.40	1.60
150RB 1	1.00	1.21	1.40	1.60
150RB 3	2.77	3.39	3.91	4.38
150RB 7	3.68	4.51	5.21	5.82
150RB 9	6.11	7.48	8.64	9.66
200RB/500RB 2	2.77	3.39	3.91	4.38
200RB/500RB 3	3.68	4.51	5.21	5.82
200RB/500RB 4	6.11	7.48	8.64	9.66
200RB/500RB 5	6.31	7.73	8.93	9.98
200RB/500RB 6	7.28	8.92	10.30	11.52
200RB/500RB 7	13.10	16.15	18.65	20.65
240RA/250RA/540RA 8	12.10	14.80	17.10	19.10
240RA/250RA/540RA 9T (5/8)	18.00	22.10	25.50	28.50
240RA/250RA/540RA 9T (7/8 & Up)	23.70	29.00	33.50	37.40
240RA/250RA/540RA 12	27.10	33.20	38.30	42.90
240RA/250RA/540RA 16	45.10	55.20	63.70	71.30
240RA/250RA/540RA 20	74.10	90.80	104.80	117.20
R-410A				
100RB	0.97	1.19	1.37	1.53
150RB 1	0.97	1.19	1.37	1.53
150RB 3	2.76	3.38	3.90	4.36
150RB 7	3.67	4.50	5.19	5.80
150RB 9	6.09	7.45	8.61	9.62
200RB/500RB 2	2.76	3.38	3.90	4.36
200RB/500RB 3	3.67	4.50	5.19	5.80
200RB/500RB 4	6.09	7.45	8.61	9.62
200RB/500RB 5	6.29	7.71	8.90	9.95
200RB/500RB 6	7.26	8.89	10.27	11.48
200RB/500RB 7	12.20	15.70	18.10	20.10
250RA 8	11.86	14.57	16.81	18.77
250RA 9T (5/8)	17.75	21.76	25.12	28.11
250RA 9T (7/8 & Up)	23.26	28.49	32.88	36.80
250RA 12	26.62	32.60	37.64	42.12
250RA 16	44.27	54.17	62.58	69.96
250RA 20	72.76	89.10	102.93	115.07

LIQUID CAPACITIES - kW

PRESSURE DROP ACROSS VALVE - kPa				
VALVE SERIES	13.8	20.7	27.6	34.5
R-404A/R-507				
50RB	1.06	1.20	1.41	1.41
100RB	2.46	2.99	3.52	3.87
150RB 1	2.46	2.99	3.52	3.87
150RB 3	6.68	8.16	9.43	10.55
150RB 7	8.86	10.87	12.56	14.07
150RB 9	14.70	18.01	20.82	23.25
200RB/500RB 2	6.68	8.16	9.43	10.55
200RB/500RB 3	8.86	10.87	12.56	14.07
200RB/500RB 4	14.70	18.01	20.82	23.25
200RB/500RB 5	15.23	18.64	21.52	24.06
200RB/500RB 6	17.55	21.49	24.83	27.75
200RB/500RB 7	31.86	39.04	45.05	50.40
240RA/250RA/540RA 8	29.54	36.22	41.85	46.77
240RA/250RA/540RA 9T (5/8)	43.96	53.81	62.25	69.63
240RA/250RA/540RA 9T (7/8 & Up)	57.68	70.69	81.59	91.09
240RA/250RA/540RA 12	66.12	80.89	93.55	104.45
240RA/250RA/540RA 16	110.08	134.70	155.45	173.73
240RA/250RA/540RA 20	188.51	231.06	266.93	298.23
R-407C				
50RB	1.41	1.79	2.11	2.46
100RB	3.52	4.26	4.92	5.63
150RB 1	3.52	4.26	4.92	5.63
150RB 3	9.74	11.92	13.75	15.40
150RB 7	12.94	15.86	18.32	20.47
150RB 9	21.49	26.31	30.39	33.97
200RB/500RB 2	9.74	11.92	13.75	15.40
200RB/500RB 3	12.94	15.86	18.32	20.47
200RB/500RB 4	21.49	26.31	30.39	33.97
200RB/500RB 5	22.19	27.19	31.41	35.10
200RB/500RB 6	25.60	31.37	36.22	40.51
200RB/500RB 7	46.53	56.97	65.80	73.54
240RA/250RA/540RA 8	42.55	52.05	60.14	67.17
240RA/250RA/540RA 9T (5/8)	63.30	77.72	89.68	100.23
240RA/250RA/540RA 9T (7/8 & Up)	83.35	101.99	117.82	131.53
240RA/250RA/540RA 12	95.31	116.76	134.70	150.88
240RA/250RA/540RA 16	158.61	194.13	224.03	250.75
240RA/250RA/540RA 20	260.60	319.33	368.57	412.18
R-410A				
100RB	3.42	4.17	4.83	5.39
150RB 1	3.42	4.17	4.83	5.39
150RB 3	9.71	11.89	13.72	15.33
150RB 7	12.91	15.83	18.25	20.4
150RB 9	21.42	26.2	30.28	33.83
200RB/500RB 2	9.71	11.89	13.72	15.33
200RB/500RB 3	12.91	15.83	18.25	20.4
200RB/500RB 4	21.42	26.2	30.28	33.83
200RB/500RB 5	22.12	27.12	31.3	34.99
200RB/500RB 6	25.53	31.27	36.12	40.37
200RB/500RB 7	42.91	55.22	63.66	70.69
250RA 8	41.72	51.24	59.13	66.02
250RA 9T (5/8)	62.41	76.53	88.36	98.87
250RA 9T (7/8 & Up)	81.79	100.18	115.62	129.42
250RA 12	93.62	114.64	132.37	148.14
250RA 16	155.70	190.51	220.08	246.03
250RA 20	255.88	313.36	361.98	404.68

NOTE: Shading indicates AHRI standard ratings
 All liquid capacities are based on 40°F Evaporator Temperature and 100°F Liquid Temperature.
 NOTE: Capacity is based on largest connection size.

LIQUID CAPACITIES - TONS

PRESSURE DROP ACROSS VALVE - PSI				
VALVE SERIES	2	3	4	5
R-448A/R-449A				
50RB	0.44	0.54	0.63	0.70
100RB	1.04	1.28	1.47	1.65
150RB 1	1.04	1.28	1.47	1.65
150RB 3	2.95	3.61	4.17	4.67
150RB 7	3.93	4.82	5.56	6.22
150RB 9	6.52	7.98	9.22	10.30
200RB/500RB 2	2.95	3.61	4.17	4.67
200RB/500RB 3	3.93	4.82	5.56	6.22
200RB/500RB 4	6.52	7.98	9.22	10.30
200RB/500RB 5	6.74	8.25	9.53	10.65
200RB/500RB 6	7.77	9.52	10.99	12.29
200RB/500RB 7	13.94	17.07	19.71	22.03
240RA/250RA/540RA 8	12.79	15.66	18.09	20.22
240RA/250RA/540RA 9T (5/8)	19.10	23.39	27.01	30.20
240RA/250RA/540RA 9T (7/8 & Up)	25.00	30.62	35.36	39.53
240RA/250RA/540RA 12	28.61	35.04	40.46	45.24
240RA/250RA/540RA 16	47.55	58.23	67.24	75.18
240RA/250RA/540RA 20	78.20	95.78	110.60	123.65
R-454A				
100RB	1.18	1.44	1.67	1.86
150RB 1	1.18	1.44	1.67	1.86
150RB 3	3.34	4.09	4.73	5.29
150RB 7	4.46	5.46	6.30	7.05
150RB 9	7.38	9.04	10.44	11.67
200RB/500RB 2	3.34	4.09	4.73	5.29
200RB/500RB 3	4.46	5.46	6.30	7.05
200RB/500RB 4	7.38	9.04	10.44	11.67
200RB/500RB 5	7.63	9.35	10.80	12.07
200RB/500RB 6	8.80	10.78	12.45	13.92
250RA/540RA 8	14.49	17.74	20.49	22.91
250RA/540RA 9T (5/8)	21.64	26.50	30.60	34.21
250RA/540RA 9T (7/8 & Up)	28.32	34.69	40.05	44.78
250RA/540RA 12	32.41	39.69	45.83	51.24
250RA/540RA 16	53.86	65.97	76.17	85.16
250RA/540RA 20	88.59	108.50	125.29	140.07
R-454B/R-452B				
100RB	0.94	1.15	1.33	1.48
150RB 1	0.94	1.15	1.33	1.48
150RB 3	2.66	3.25	3.76	4.20
150RB 7	3.54	4.34	5.01	5.59
150RB 9	5.86	7.18	8.29	9.27
200RB/500RB 2	2.66	3.25	3.76	4.20
200RB/500RB 3	3.54	4.34	5.01	5.59
200RB/500RB 4	5.86	7.18	8.29	9.27
200RB/500RB 5	6.06	7.43	8.57	9.59
200RB/500RB 6	6.99	8.57	9.89	11.06
250RA 8	11.47	14.09	16.26	18.16
250RA 9T (5/8)	17.17	21.05	24.30	27.20
250RA 9T (7/8 & Up)	22.50	27.56	31.80	35.60
250RA 12	25.75	31.53	36.41	40.75
250RA 16	42.83	52.40	60.53	67.67
250RA 20	70.38	86.19	99.57	111.31
R-454C				
100RB	0.99	1.21	1.39	1.56
150RB 1	0.99	1.21	1.39	1.56
150RB 3	2.80	3.42	3.95	4.42
150RB 7	3.73	4.57	5.27	5.89
150RB 9	6.17	7.56	8.73	9.76
200RB/500RB 2	2.80	3.42	3.95	4.42
200RB/500RB 3	3.73	4.57	5.27	5.89
200RB/500RB 4	6.17	7.56	8.73	9.76
200RB/500RB 5	6.38	7.82	9.03	10.09
200RB/500RB 6	7.36	9.02	10.41	11.64

LIQUID CAPACITIES - kW

PRESSURE DROP ACROSS VALVE - kPa				
VALVE SERIES	13.8	20.7	27.6	34.5
R-448A/R-449A				
50RB	1.56	1.91	2.20	2.46
100RB	3.66	4.48	5.18	5.79
150RB 1	3.66	4.48	5.18	5.79
150RB 3	10.38	12.71	14.68	16.41
150RB 7	13.84	16.95	19.57	21.88
150RB 9	22.92	28.07	32.41	36.24
200RB/500RB 2	10.38	12.71	14.68	16.41
200RB/500RB 3	13.84	16.95	19.57	21.88
200RB/500RB 4	22.92	28.07	32.41	36.24
200RB/500RB 5	23.70	29.02	33.51	37.47
200RB/500RB 6	27.33	33.47	38.65	43.21
200RB/500RB 7	49.01	60.02	69.31	77.49
240RA/250RA/540RA 8	44.97	55.08	63.60	71.11
240RA/250RA/540RA 9T (5/8)	67.17	82.27	95.00	106.21
240RA/250RA/540RA 9T (7/8 & Up)	87.93	107.69	124.35	139.03
240RA/250RA/540RA 12	100.61	123.23	142.29	159.08
240RA/250RA/540RA 16	167.21	204.79	236.47	264.38
240RA/250RA/540RA 20	275.03	336.84	388.95	434.86
R-454A				
100RB	4.15	5.08	5.87	6.56
150RB 1	4.15	5.08	5.87	6.56
150RB 3	11.76	14.40	16.63	18.59
150RB 7	15.68	19.20	22.17	24.79
150RB 9	25.96	31.80	36.72	41.05
200RB/500RB 2	11.76	14.40	16.63	18.59
200RB/500RB 3	15.68	19.20	22.17	24.79
200RB/500RB 4	25.96	31.80	36.72	41.05
200RB/500RB 5	26.85	32.88	37.97	42.45
200RB/500RB 6	30.96	37.92	43.79	48.95
250RA/540RA 8	50.95	62.40	72.05	80.56
250RA/540RA 9T (5/8)	76.10	93.20	107.62	120.32
250RA/540RA 9T (7/8 & Up)	99.61	122.00	140.87	157.50
250RA/540RA 12	113.98	139.60	161.20	180.22
250RA/540RA 16	189.43	232.00	267.89	299.51
250RA/540RA 20	311.57	381.60	440.63	492.64
R-454B/R-452B				
100RB	3.30	4.04	4.67	5.21
150RB 1	3.30	4.04	4.67	5.21
150RB 3	9.34	11.44	13.22	14.78
150RB 7	12.46	15.25	17.60	19.67
150RB 9	20.62	25.26	29.17	32.60
200RB/500RB 2	9.34	11.44	13.22	14.78
200RB/500RB 3	12.46	15.25	17.60	19.67
200RB/500RB 4	20.62	25.26	29.17	32.60
200RB/500RB 5	21.32	26.12	30.15	33.71
200RB/500RB 6	24.59	30.12	34.79	38.89
250RA 8	40.35	49.57	57.19	63.87
250RA 9T (5/8)	60.37	74.04	85.47	95.64
250RA 9T (7/8 & Up)	79.12	96.91	111.85	125.19
250RA 12	90.56	110.89	128.05	143.30
250RA 16	150.61	184.29	212.89	237.99
250RA 20	247.53	303.13	350.16	391.46
R-454C				
100RB	3.47	4.25	4.91	5.48
150RB 1	3.47	4.25	4.91	5.48
150RB 3	9.83	12.04	13.91	15.55
150RB 7	13.11	16.06	18.54	20.73
150RB 9	21.71	26.59	30.71	34.33
200RB/500RB 2	9.83	12.04	13.91	15.55
200RB/500RB 3	13.11	16.06	18.54	20.73
200RB/500RB 4	21.71	26.59	30.71	34.33
200RB/500RB 5	22.45	27.50	31.75	35.50
200RB/500RB 6	25.89	31.71	36.62	40.94

NOTE: Shading indicates AHRI standard ratings
 All liquid capacities are based on 40°F Evaporator Temperature and 100°F Liquid Temperature.
 NOTE: Capacity is based on largest connection size.

LIQUID CAPACITIES - TONS

PRESSURE DROP ACROSS VALVE - PSI				
VALVE SERIES	2	3	4	5
R-455A				
100RB	1.03	1.27	1.46	1.63
150RB 1	1.03	1.27	1.46	1.63
150RB 3	2.93	3.59	4.14	4.63
150RB 7	3.91	4.78	5.52	6.18
150RB 9	6.47	7.92	9.15	10.23
200RB/500RB 2	2.93	3.59	4.14	4.63
200RB/500RB 3	3.91	4.78	5.52	6.18
200RB/500RB 4	6.47	7.92	9.15	10.23
200RB/500RB 5	6.69	8.19	9.46	10.58
200RB/500RB 6	7.71	9.45	10.91	12.20
250RA/540RA 8	12.69	15.55	17.95	20.07
250RA/540RA 9T (5/8)	18.96	23.22	26.81	29.98
250RA/540RA 9T (7/8 & Up)	24.82	30.40	35.10	39.24
250RA/540RA 12	28.40	34.78	40.16	44.91
250RA/540RA 16	47.20	57.81	66.75	74.63
250RA/540RA 20	77.63	95.08	109.79	122.75
R-502				
50RB	0.30	0.35	0.40	0.50
100RB	0.70	0.83	1.00	1.10
150RB 1	0.70	0.83	1.00	1.10
150RB 3	1.93	2.36	2.73	3.05
150RB 7	2.57	3.14	3.63	4.06
150RB 9	4.15	5.21	6.02	6.73
200RB/500RB 2	1.93	2.36	2.73	3.05
200RB/500RB 3	2.57	3.14	3.63	4.06
200RB/500RB 4	4.15	5.21	6.02	6.73
200RB/500RB 5	4.50	5.39	6.22	6.69
200RB/500RB 6	5.08	6.22	7.18	8.03
200RB/500RB 7	9.22	11.29	13.04	14.57
240RA/250RA/540RA 8	8.20	10.10	11.70	13.00
240RA/250RA/540RA 9T (5/8)	12.30	15.10	17.40	19.50
240RA/250RA/540RA 9T (7/8 & Up)	16.20	19.80	22.90	25.60
240RA/250RA/540RA 12	18.50	22.70	26.20	29.30
240RA/250RA/540RA 16	30.80	37.70	43.50	48.70
240RA/250RA/540RA 20	50.60	62.00	71.60	80.00
R-513A/R-450A				
50RB	0.37	0.46	0.53	0.59
100RB	0.88	1.07	1.24	1.38
150RB 1	0.88	1.07	1.24	1.38
150RB 3	2.48	3.04	3.51	3.92
150RB 7	3.31	4.05	4.68	5.23
150RB 9	5.48	6.71	7.75	8.67
200RB/500RB 2	2.48	3.04	3.51	3.92
200RB/500RB 3	3.31	4.05	4.68	5.23
200RB/500RB 4	5.48	6.71	7.75	8.67
200RB/500RB 5	5.67	6.94	8.02	8.96
200RB/500RB 6	6.54	8.01	9.24	10.34
200RB/500RB 7	11.72	14.36	16.58	18.53
240RA/250RA/540RA 8	10.76	13.17	15.21	17.01
240RA/250RA/540RA 9T (5/8)	16.07	19.68	22.72	25.40
240RA/250RA/540RA 9T (7/8 & Up)	21.03	25.76	29.74	33.25
240RA/250RA/540RA 12	24.06	29.47	34.03	38.05
240RA/250RA/540RA 16	39.99	48.98	56.56	63.23
240RA/250RA/540RA 20	65.78	80.56	93.02	104.00

LIQUID CAPACITIES - kW

PRESSURE DROP ACROSS VALVE - kPa				
VALVE SERIES	13.8	20.7	27.6	34.5
R-455A				
100RB	3.63	4.45	5.14	5.75
150RB 1	3.63	4.45	5.14	5.75
150RB 3	10.30	12.62	14.57	16.29
150RB 7	13.74	16.83	19.43	21.72
150RB 9	22.75	27.87	32.18	35.98
200RB/500RB 2	10.30	12.62	14.57	16.29
200RB/500RB 3	13.74	16.83	19.43	21.72
200RB/500RB 4	22.75	27.87	32.18	35.98
200RB/500RB 5	23.53	28.81	33.27	37.20
200RB/500RB 6	27.13	33.23	38.37	42.90
250RA/540RA 8	44.65	54.68	63.14	70.59
250RA/540RA 9T (5/8)	66.69	81.67	94.31	105.44
250RA/540RA 9T (7/8 & Up)	87.29	106.91	123.45	138.02
250RA/540RA 12	99.88	122.33	141.26	157.93
250RA/540RA 16	166.00	203.30	234.76	262.46
250RA/540RA 20	273.04	334.40	386.13	431.71
R-502				
50RB	1.06	1.23	1.41	1.76
100RB	2.46	2.92	3.52	3.87
150RB 1	2.46	2.92	3.52	3.87
150RB 3	6.79	8.30	9.60	10.73
150RB 7	9.04	11.04	12.77	14.28
150RB 9	14.60	18.32	21.17	23.67
200RB/500RB 2	6.79	8.30	9.60	10.73
200RB/500RB 3	9.04	11.04	12.77	14.28
200RB/500RB 4	14.60	18.32	21.17	23.67
200RB/500RB 5	15.83	18.96	21.88	23.53
200RB/500RB 6	17.87	21.88	25.25	28.24
200RB/500RB 7	32.43	39.71	45.86	51.24
240RA/250RA/540RA 8	28.84	35.52	41.15	45.72
240RA/250RA/540RA 9T (5/8)	43.26	53.11	61.19	68.58
240RA/250RA/540RA 9T (7/8 & Up)	56.97	69.63	80.54	90.03
240RA/250RA/540RA 12	65.06	79.83	92.14	103.05
240RA/250RA/540RA 16	108.32	132.59	152.99	171.27
240RA/250RA/540RA 20	177.96	218.05	251.81	281.35
R-513A/R-450A				
50RB	1.31	1.60	1.85	2.07
100RB	3.08	3.77	4.36	4.87
150RB 1	3.08	3.77	4.36	4.87
150RB 3	8.73	10.69	12.35	13.80
150RB 7	11.64	14.26	16.46	18.40
150RB 9	19.28	23.61	27.26	30.48
200RB/500RB 2	8.73	10.69	12.35	13.80
200RB/500RB 3	11.64	14.26	16.46	18.40
200RB/500RB 4	19.28	23.61	27.26	30.48
200RB/500RB 5	19.93	24.41	28.19	31.52
200RB/500RB 6	22.99	28.15	32.51	36.35
200RB/500RB 7	41.22	50.49	58.30	65.18
240RA/250RA/540RA 8	37.83	46.33	53.50	59.81
240RA/250RA/540RA 9T (5/8)	56.50	69.20	79.90	89.33
240RA/250RA/540RA 9T (7/8 & Up)	73.96	90.58	104.59	116.94
240RA/250RA/540RA 12	84.63	103.65	119.68	133.81
240RA/250RA/540RA 16	140.64	172.25	198.90	222.37
240RA/250RA/540RA 20	231.33	283.32	327.15	365.76

NOTE: Shading indicates AHRI standard ratings
 All liquid capacities are based on 40°F Evaporator Temperature and 100°F Liquid Temperature.
 NOTE: Capacity is based on largest connection size.

LIQUID CAPACITIES - TONS

LIQUID CAPACITIES - kW

PRESSURE DROP ACROSS VALVE - PSI						
VALVE SERIES	2	3	4	5	6	7
	R-744					
100RB	1.58	1.93	2.24	2.50	2.74	2.96
150RB 1	1.58	1.93	2.24	2.50	2.74	2.96
150RB 3	4.36	5.34	6.17	6.90	7.56	8.16
150RB 7	5.80	7.11	8.21	9.18	10.1	10.86
150RB 9	9.62	11.8	13.6	15.2	16.7	18.01
200RB/500RB 2	4.36	5.34	6.17	6.90	7.56	8.16
200RB/500RB 3	5.80	7.11	8.21	9.18	10.1	10.86
200RB/500RB 4	9.62	11.8	13.6	15.2	16.7	18.01
200RB/500RB 5	9.95	12.2	14.1	15.7	17.2	18.62
200RB/500RB 6	11.5	14.1	16.2	18.2	19.9	21.49
200RB/500RB 7	20.1	24.6	28.4	31.8	34.8	37.62

PRESSURE DROP ACROSS VALVE - kPa						
VALVE SERIES	13.8	20.7	27.6	34.5	41.4	48.3
	R-744					
100RB	5.56	6.81	7.86	8.79	9.63	10.40
150RB 1	5.56	6.81	7.86	8.79	9.63	10.40
150RB 3	15.34	18.79	21.70	24.26	26.57	28.70
150RB 7	20.41	25.00	28.86	32.27	35.35	38.18
150RB 9	33.85	41.46	47.87	53.52	58.63	63.33
200RB/500RB 2	15.34	18.79	21.70	24.26	26.57	28.70
200RB/500RB 3	20.41	25.00	28.86	32.27	35.35	38.18
200RB/500RB 4	33.85	41.46	47.87	53.52	58.63	63.33
200RB/500RB 5	35.01	42.88	49.51	55.36	60.64	65.50
200RB/500RB 6	40.40	49.47	57.13	63.87	69.97	75.57
200RB/500RB 7	70.73	86.62	100.02	111.83	122.50	132.32

NOTE: Shading indicates nominal ratings at 1°F saturation pressure drop across solenoid valve. All liquid capacities are based on 20°F evaporating temperature.

SUCTION GAS

SOLENOID CAPACITY TABLES

SUCTION GAS CAPACITIES - TONS

SUCTION GAS CAPACITIES @ 2 PSI PRESSURE DROP					
VALVE SERIES	EVAPORATOR TEMPERATURE - F				
	40	20	0	-20	-40
R-12					
100RB	0.13	0.12	0.09	0.07	0.04
150RB 1	0.13	0.12	0.09	0.07	0.04
150RB 3	0.32	0.30	0.23	0.17	0.10
150RB 7	0.44	0.41	0.31	0.23	0.14
150RB 9	0.81	0.77	0.59	0.44	0.26
200RB/500RB 2	0.32	0.30	0.23	0.17	0.10
200RB/500RB 3	0.44	0.41	0.31	0.23	0.14
200RB/500RB 4	0.81	0.77	0.59	0.44	0.26
200RB/500RB 5	0.97	0.93	0.71	0.53	0.32
200RB/500RB 6	1.05	0.99	0.76	0.56	0.34
200RB/500RB 7	1.90	1.70	1.30	1.00	0.60
240RA/250RA/540RA 8	1.00	0.80	0.60	0.50	0.40
240RA/250RA/540RA 9T5	1.30	1.10	0.90	0.70	0.50
240RA/250RA/540RA 9	1.60	1.30	1.00	0.80	0.60
240RA/250RA/540RA 12	2.00	1.60	1.20	1.00	0.70
240RA/250RA/540RA 16	3.90	3.20	2.50	1.90	1.50
240RA/250RA/540RA 20	5.50	4.50	3.50	2.70	2.10
R-1234yf					
100RB	0.09	0.07	0.06	0.04	0.03
150RB 1	0.09	0.07	0.06	0.04	0.03
150RB 3	0.23	0.18	0.14	0.10	0.08
150RB 7	0.32	0.25	0.19	0.14	0.10
150RB 9	0.60	0.47	0.36	0.27	0.20
200RB/500RB 2	0.23	0.18	0.14	0.10	0.08
200RB/500RB 3	0.32	0.25	0.19	0.14	0.10
200RB/500RB 4	0.60	0.47	0.36	0.27	0.20
200RB/500RB 5	0.73	0.58	0.44	0.33	0.24
200RB/500RB 6	0.77	0.61	0.47	0.35	0.25
R-134a					
100RB	0.10	0.08	0.06	0.04	0.03
150RB 1	0.10	0.08	0.06	0.04	0.03
150RB 3	0.26	0.21	0.16	0.11	0.08
150RB 7	0.36	0.29	0.21	0.15	0.10
150RB 9	0.69	0.54	0.42	0.28	0.16
200RB/500RB 2	0.26	0.21	0.16	0.11	0.08
200RB/500RB 3	0.36	0.29	0.21	0.15	0.10
200RB/500RB 4	0.69	0.54	0.42	0.28	0.16
200RB/500RB 5	0.83	0.65	0.47	0.34	0.23
200RB/500RB 6	0.88	0.69	0.52	0.37	0.26
200RB/500RB 7	1.50	1.20	0.90	0.70	0.50
240RA/250RA/540RA 8	0.80	0.60	0.50	0.40	0.30
240RA/250RA/540RA 9T5	1.40	1.10	0.80	0.60	0.40
240RA/250RA/540RA 9	1.70	1.40	1.10	0.80	0.50
240RA/250RA/540RA 12	1.90	1.50	1.20	0.90	0.60
240RA/250RA/540RA 16	3.20	2.50	1.90	1.40	1.00
240RA/250RA/540RA 20	4.40	3.50	2.70	2.00	1.60

SUCTION GAS CAPACITIES - kW

SUCTION GAS CAPACITIES @ 14.0 kPa PRESSURE DROP					
VALVE SERIES	EVAPORATOR TEMPERATURE - C				
	4	-7	-18	-29	-40
R-12					
100RB	0.45	0.42	0.32	0.24	0.14
150RB 1	0.45	0.42	0.32	0.24	0.14
150RB 3	1.13	1.06	0.81	0.60	0.35
150RB 7	1.55	1.44	1.09	0.81	0.49
150RB 9	2.85	2.71	2.07	1.55	0.91
200RB/500RB 2	1.13	1.06	0.81	0.60	0.35
200RB/500RB 3	1.55	1.44	1.09	0.81	0.49
200RB/500RB 4	2.85	2.71	2.07	1.55	0.91
200RB/500RB 5	3.41	3.27	2.50	1.86	1.13
200RB/500RB 6	3.69	3.48	2.67	1.97	1.20
200RB/500RB 7	6.80	6.00	4.60	3.50	2.10
240RA/250RA/540RA 8	3.52	2.81	2.11	1.76	1.41
240RA/250RA/540RA 9T5	4.57	3.87	3.17	2.46	1.76
240RA/250RA/540RA 9	5.63	4.57	3.52	2.81	2.11
240RA/250RA/540RA 12	7.03	5.63	4.22	3.52	2.46
240RA/250RA/540RA 16	13.72	11.25	8.79	6.68	5.28
240RA/250RA/540RA 20	19.34	15.83	12.31	9.50	7.39
R-1234yf					
100RB	0.32	0.25	0.20	0.15	0.11
150RB 1	0.32	0.25	0.20	0.15	0.11
150RB 3	0.81	0.64	0.49	0.36	0.26
150RB 7	1.12	0.88	0.68	0.50	0.36
150RB 9	2.12	1.67	1.28	0.95	0.69
200RB/500RB 2	0.81	0.64	0.49	0.36	0.26
200RB/500RB 3	1.12	0.88	0.68	0.50	0.36
200RB/500RB 4	2.12	1.67	1.28	0.95	0.69
200RB/500RB 5	2.58	2.02	1.55	1.16	0.84
200RB/500RB 6	2.72	2.14	1.64	1.22	0.89
R-134a					
100RB	0.37	0.30	0.23	0.15	0.11
150RB 1	0.37	0.30	0.23	0.15	0.11
150RB 3	0.91	0.74	0.56	0.39	0.28
150RB 7	1.27	1.02	0.74	0.53	0.35
150RB 9	2.43	1.90	1.48	0.98	0.56
200RB/500RB 2	0.91	0.74	0.56	0.39	0.28
200RB/500RB 3	1.27	1.02	0.74	0.53	0.35
200RB/500RB 4	2.43	1.90	1.48	0.98	0.56
200RB/500RB 5	2.92	2.29	1.65	1.20	0.81
200RB/500RB 6	3.09	2.43	1.83	1.30	0.91
200RB/500RB 7	5.30	4.20	3.10	2.50	1.80
240RA/250RA/540RA 8	2.81	2.11	1.76	1.41	1.06
240RA/250RA/540RA 9T5	4.92	3.87	2.81	2.11	1.41
240RA/250RA/540RA 9	5.98	4.92	3.87	2.81	1.76
240RA/250RA/540RA 12	6.68	5.28	4.22	3.17	2.11
240RA/250RA/540RA 16	11.25	8.79	6.68	4.92	3.52
240RA/250RA/540RA 20	15.47	12.31	9.50	7.03	5.63

NOTE: Capacity is based on largest connection size.

SUCTION GAS CAPACITIES - TONS

SUCTION GAS CAPACITIES - kW

SUCTION GAS CAPACITIES @ 2 PSI PRESSURE DROP					
VALVE SERIES	EVAPORATOR TEMPERATURE - F				
	40	20	0	-20	-40
R-22/R407C					
100RB	0.14	0.11	0.09	0.07	0.05
150RB 1	0.14	0.11	0.09	0.07	0.05
150RB 3	0.34	0.28	0.22	0.18	0.13
150RB 7	0.47	0.38	0.31	0.24	0.18
150RB 9	0.89	0.73	0.58	0.46	0.34
200RB/500RB 2	0.34	0.28	0.22	0.18	0.13
200RB/500RB 3	0.47	0.38	0.31	0.24	0.18
200RB/500RB 4	0.89	0.73	0.58	0.46	0.34
200RB/500RB 5	1.08	0.88	0.71	0.55	0.39
200RB/500RB 6	1.14	0.93	0.75	0.59	0.43
200RB/500RB 7	1.90	1.00	1.30	1.00	0.76
240RA/250RA/540RA 8	1.50	1.20	1.00	0.80	0.60
240RA/250RA/540RA 9T5	2.00	1.60	1.30	1.00	0.80
240RA/250RA/540RA 9	2.40	2.00	1.60	1.20	1.00
240RA/250RA/540RA 12	2.90	2.40	1.90	1.50	1.20
240RA/250RA/540RA 16	5.80	4.70	3.80	3.00	2.30
240RA/250RA/540RA 20	8.20	6.70	5.40	4.20	3.30
R-290					
100RB	0.24	0.33	0.26	0.02	0.15
150RB 1	0.24	0.33	0.26	0.02	0.15
150RB 3	0.59	0.83	0.65	0.05	0.38
150RB 7	0.82	1.15	0.90	0.70	0.52
150RB 9	1.55	2.17	1.71	1.32	0.99
200RB/500RB 2	0.59	0.83	0.65	0.05	0.38
200RB/500RB 3	0.82	1.15	0.90	0.70	0.52
200RB/500RB 4	1.55	2.17	1.71	1.32	0.99
200RB/500RB 5	1.88	2.64	2.08	1.60	1.20
200RB/500RB 6	1.99	2.78	2.19	1.69	1.27
200RB/500RB 7	3.31	4.64	3.65	2.82	2.12
R-32					
100RB	0.21	0.17	0.14	0.11	0.08
150RB 1	0.21	0.17	0.14	0.11	0.08
150RB 3	0.53	0.44	0.34	0.28	0.20
150RB 7	0.73	0.59	0.48	0.37	0.28
150RB 9	1.39	1.14	0.90	0.72	0.53
200RB/500RB 2	0.53	0.44	0.34	0.28	0.20
200RB/500RB 3	0.73	0.59	0.48	0.37	0.28
200RB/500RB 4	1.39	1.14	0.90	0.72	0.53
200RB/500RB 5	1.68	1.37	1.11	0.86	0.61
200RB/500RB 6	1.78	1.45	1.17	0.92	0.67
250RA 8	2.34	1.87	1.56	1.25	0.94
250RA 9T (5/8)	3.12	2.50	2.03	1.56	1.25
250RA 9T (7/8 & Up)	3.74	3.12	2.50	1.87	1.56
250RA 12	4.52	3.74	2.96	2.34	1.87
250RA 16	9.05	7.33	5.93	4.68	3.59
250RA 20	12.79	10.45	8.42	6.55	5.15

SUCTION GAS CAPACITIES @ 14.0 kPa PRESSURE DROP					
VALVE SERIES	EVAPORATOR TEMPERATURE - C				
	4	-7	-18	-29	-40
R-22/R407C					
100RB	0.48	0.39	0.31	0.25	0.18
150RB 1	0.48	0.39	0.31	0.25	0.18
150RB 3	1.20	0.98	0.77	0.63	0.46
150RB 7	1.65	1.34	1.09	0.84	0.63
150RB 9	3.13	2.57	2.04	1.62	1.20
200RB/500RB 2	1.20	0.98	0.77	0.63	0.46
200RB/500RB 3	1.65	1.34	1.09	0.84	0.63
200RB/500RB 4	3.13	2.57	2.04	1.62	1.20
200RB/500RB 5	3.80	3.09	2.50	1.93	1.37
200RB/500RB 6	4.01	3.27	2.64	2.07	1.51
200RB/500RB 7	6.80	5.60	4.60	3.50	2.70
240RA/250RA/540RA 8	5.28	4.22	3.52	2.81	2.11
240RA/250RA/540RA 9T5	7.03	5.63	4.57	3.52	2.81
240RA/250RA/540RA 9	8.44	7.03	5.63	4.22	3.52
240RA/250RA/540RA 12	10.20	8.44	6.68	5.28	4.22
240RA/250RA/540RA 16	20.40	16.53	13.36	10.55	8.09
240RA/250RA/540RA 20	28.84	23.56	18.99	14.77	11.61
R-290					
100RB	0.83	1.17	0.91	0.07	0.53
150RB 1	0.83	1.17	0.91	0.07	0.53
150RB 3	2.08	2.92	2.29	1.76	1.34
150RB 7	2.88	4.04	3.17	2.46	1.83
150RB 9	5.45	7.63	6.01	4.64	3.48
200RB/500RB 2	2.08	2.92	2.29	1.76	1.34
200RB/500RB 3	2.88	4.04	3.17	2.46	1.83
200RB/500RB 4	5.45	7.63	6.01	4.64	3.48
200RB/500RB 5	6.61	9.28	7.32	5.63	4.22
200RB/500RB 6	7.00	9.78	7.70	5.94	4.47
200RB/500RB 7	11.64	16.32	12.84	9.92	7.46
R-32					
100RB	0.75	0.61	0.48	0.40	0.29
150RB 1	0.75	0.61	0.48	0.40	0.29
150RB 3	1.87	1.54	1.21	0.99	0.71
150RB 7	2.58	2.08	1.70	1.32	0.99
150RB 9	4.88	4.01	3.18	2.52	1.87
200RB/500RB 2	1.87	1.54	1.21	0.99	0.71
200RB/500RB 3	2.58	2.08	1.70	1.32	0.99
200RB/500RB 4	4.88	4.01	3.18	2.52	1.87
200RB/500RB 5	5.93	4.83	3.90	3.02	2.14
200RB/500RB 6	6.25	5.10	4.11	3.24	2.36
250RA 8	8.23	6.58	5.49	4.39	3.29
250RA 9T (5/8)	10.97	8.78	7.13	5.49	4.39
250RA 9T (7/8 & Up)	13.17	10.97	8.78	6.58	5.49
250RA 12	15.91	13.17	10.42	8.23	6.58
250RA 16	31.82	25.79	20.85	16.46	12.62
250RA 20	44.99	36.76	29.63	23.04	18.11

NOTE: Capacity is based on largest connection size.

SUCTION GAS

SOLENOID CAPACITY TABLES

SUCTION GAS CAPACITIES - TONS

SUCTION GAS CAPACITIES @ 2 PSI PRESSURE DROP					
VALVE SERIES	EVAPORATOR TEMPERATURE - F				
	40	20	0	-20	-40
R-404A/R-507					
100RB	0.12	0.09	0.07	0.06	0.04
150RB 1	0.12	0.09	0.07	0.06	0.04
150RB 3	0.29	0.23	0.18	0.14	0.10
150RB 7	0.39	0.31	0.24	0.19	0.13
150RB 9	0.74	0.54	0.46	0.35	0.26
200RB/500RB 2	0.29	0.23	0.18	0.14	0.10
200RB/500RB 3	0.39	0.31	0.24	0.19	0.13
200RB/500RB 4	0.74	0.54	0.46	0.35	0.26
200RB/500RB 5	0.90	0.71	0.56	0.42	0.30
200RB/500RB 6	0.95	0.76	0.59	0.45	0.32
200RB/500RB 7	1.70	1.30	1.00	0.80	0.60
240RA/250RA/540RA 8	0.90	0.70	0.50	0.40	0.30
240RA/250RA/540RA 9T5	1.50	1.20	0.90	0.70	0.50
240RA/250RA/540RA 9	1.90	1.50	1.20	0.90	0.60
240RA/250RA/540RA 12	2.20	1.80	1.40	1.00	0.80
240RA/250RA/540RA 16	3.40	2.70	2.10	1.60	1.20
240RA/250RA/540RA 20	4.80	3.80	2.90	2.20	1.60
R-410A					
100RB	0.16	0.14	0.11	0.09	0.06
150RB 1	0.16	0.14	0.11	0.09	0.06
150RB 3	0.28	0.22	0.20	0.21	0.16
150RB 7	0.57	0.46	0.37	0.29	0.23
150RB 9	1.07	0.88	0.70	0.55	0.43
200RB/500RB 2	0.41	0.34	0.27	0.22	0.16
200RB/500RB 3	0.57	0.46	0.37	0.29	0.23
200RB/500RB 4	1.07	0.88	0.70	0.55	0.43
200RB/500RB 5	1.30	1.06	0.85	0.67	0.51
200RB/500RB 6	1.37	1.12	0.90	0.72	0.55
200RB/500RB 7	2.40	2.00	1.60	1.20	1.00
250RA 8	1.82	1.45	1.21	0.97	0.73
250RA 9T5	2.42	1.94	1.57	1.21	0.97
250RA 9	2.90	2.42	1.94	1.45	1.21
250RA 12	3.51	2.90	2.30	1.82	1.45
250RA 16	7.02	5.69	4.60	3.63	2.78
250RA 20	9.92	8.11	6.53	5.08	3.99
R-448A/R-449A					
100RB	0.13	0.12	0.10	0.08	0.06
150RB 1	0.13	0.12	0.10	0.08	0.06
150RB 3	0.32	0.30	0.25	0.19	0.15
150RB 7	0.44	0.42	0.34	0.27	0.21
150RB 9	0.82	0.80	0.65	0.51	0.40
200RB/500RB 2	0.32	0.30	0.25	0.19	0.15
200RB/500RB 3	0.44	0.42	0.34	0.27	0.21
200RB/500RB 4	0.82	0.80	0.65	0.51	0.40
200RB/500RB 5	1.00	0.97	0.79	0.61	0.48
200RB/500RB 6	1.06	1.02	0.83	0.65	0.51
200RB/500RB 7	1.76	1.70	1.38	1.08	0.85
240RA/250RA/540RA 8	1.39	1.34	1.09	0.85	0.67
240RA/250RA/540RA 9T5	1.85	1.79	1.46	1.14	0.89
240RA/250RA/540RA 9	2.22	2.15	1.75	1.36	1.07
240RA/250RA/540RA 12	2.69	2.59	2.11	1.65	1.30
240RA/250RA/540RA 16	5.37	5.19	4.22	3.30	2.59
240RA/250RA/540RA 20	7.60	7.33	5.97	4.66	3.66
R-454A					
100RB	0.13	0.10	0.07	0.06	0.05
150RB 1	0.13	0.10	0.07	0.06	0.05
150RB 3	0.33	0.26	0.18	0.16	0.12
150RB 7	0.45	0.36	0.25	0.22	0.16
150RB 9	0.85	0.67	0.47	0.42	0.31
200RB/500RB 2	0.33	0.26	0.18	0.16	0.12
200RB/500RB 3	0.45	0.36	0.25	0.22	0.16
200RB/500RB 4	0.85	0.67	0.47	0.42	0.31
200RB/500RB 5	1.03	0.82	0.57	0.50	0.38
200RB/500RB 6	1.09	0.86	0.60	0.53	0.40
250RA/540RA 8	1.43	1.14	0.79	0.70	0.53
250RA/540RA 9T5	1.91	1.52	1.05	0.93	0.70
250RA/540RA 9	2.29	1.82	1.26	1.12	0.84
250RA/540RA 12	2.77	2.20	1.52	1.35	1.02
250RA/540RA 16	5.54	4.40	3.04	2.71	2.03
250RA/540RA 20	7.84	6.22	4.30	3.83	2.88

SUCTION GAS CAPACITIES - kW

SUCTION GAS CAPACITIES @ 14.0 kPa PRESSURE DROP					
VALVE SERIES	EVAPORATOR TEMPERATURE - C				
	4	-7	-18	-29	-40
R-404A/R-507					
100RB	0.41	0.32	0.25	0.20	0.14
150RB 1	0.41	0.32	0.25	0.20	0.14
150RB 3	1.02	0.81	0.63	0.49	0.35
150RB 7	1.37	1.09	0.84	0.67	0.46
150RB 9	2.60	1.90	1.62	1.23	0.91
200RB/500RB 2	1.02	0.81	0.63	0.49	0.35
200RB/500RB 3	1.37	1.09	0.84	0.67	0.46
200RB/500RB 4	2.60	1.90	1.62	1.23	0.91
200RB/500RB 5	3.17	2.50	1.97	1.48	1.06
200RB/500RB 6	3.34	2.67	2.07	1.58	1.13
200RB/500RB 7	6.00	4.60	3.50	2.80	2.10
240RA/250RA/540RA 8	3.17	2.46	1.76	1.41	1.06
240RA/250RA/540RA 9T5	5.28	4.22	3.17	2.46	1.76
240RA/250RA/540RA 9	6.68	5.28	4.22	3.17	2.11
240RA/250RA/540RA 12	7.74	6.33	4.92	3.52	2.81
240RA/250RA/540RA 16	11.96	9.50	7.39	5.63	4.22
240RA/250RA/540RA 20	16.88	13.36	10.20	7.74	5.63
R-410A					
100RB	0.58	0.48	0.37	0.31	0.22
150RB 1	0.58	0.48	0.37	0.31	0.22
150RB 3	0.98	0.77	0.70	0.74	0.56
150RB 7	2.00	1.62	1.30	1.02	0.81
150RB 9	3.76	3.09	2.46	1.93	1.51
200RB/500RB 2	1.45	1.19	0.94	0.77	0.55
200RB/500RB 3	2.00	1.62	1.30	1.02	0.81
200RB/500RB 4	3.76	3.09	2.46	1.93	1.51
200RB/500RB 5	4.57	3.73	2.99	2.36	1.79
200RB/500RB 6	4.82	3.94	3.17	2.53	1.93
200RB/500RB 7	8.40	7.00	5.60	4.20	3.50
250RA 8	6.38	5.11	4.26	3.40	2.55
250RA 9T5	8.51	6.81	5.53	4.26	3.40
250RA 9	10.21	8.51	6.81	5.11	4.26
250RA 12	12.34	10.21	8.09	6.38	5.11
250RA 16	24.68	20.00	16.17	12.77	9.79
250RA 20	34.90	28.51	22.98	17.87	14.04
R-448A/R-449A					
100RB	0.45	0.42	0.35	0.27	0.21
150RB 1	0.45	0.42	0.35	0.27	0.21
150RB 3	1.11	1.07	0.87	0.68	0.53
150RB 7	1.53	1.48	1.20	0.94	0.74
150RB 9	2.90	2.80	2.28	1.78	1.40
200RB/500RB 2	1.11	1.07	0.87	0.68	0.53
200RB/500RB 3	1.53	1.48	1.20	0.94	0.74
200RB/500RB 4	2.90	2.80	2.28	1.78	1.40
200RB/500RB 5	3.52	3.40	2.76	2.16	1.70
200RB/500RB 6	3.72	3.59	2.92	2.28	1.79
200RB/500RB 7	6.19	5.98	4.86	3.80	2.98
240RA/250RA/540RA 8	4.89	4.72	3.84	3.00	2.36
240RA/250RA/540RA 9T5	6.52	6.29	5.12	4.00	3.14
240RA/250RA/540RA 9	7.82	7.55	6.14	4.80	3.77
240RA/250RA/540RA 12	9.45	9.12	7.42	5.80	4.56
240RA/250RA/540RA 16	18.90	18.24	14.84	11.59	9.11
240RA/250RA/540RA 20	26.72	25.79	20.98	16.39	12.88
R-454A					
100RB	0.46	0.36	0.25	0.22	0.17
150RB 1	0.46	0.36	0.25	0.22	0.17
150RB 3	1.14	0.91	0.63	0.56	0.42
150RB 7	1.58	1.25	0.87	0.77	0.58
150RB 9	2.99	2.37	1.64	1.46	1.10
200RB/500RB 2	1.14	0.91	0.63	0.56	0.42
200RB/500RB 3	1.58	1.25	0.87	0.77	0.58
200RB/500RB 4	2.99	2.37	1.64	1.46	1.10
200RB/500RB 5	3.63	2.88	1.99	1.77	1.33
200RB/500RB 6	3.83	3.04	2.10	1.87	1.41
250RA/540RA 8	5.04	4.00	2.76	2.46	1.85
250RA/540RA 9T5	6.72	5.33	3.69	3.28	2.47
250RA/540RA 9	8.07	6.40	4.42	3.94	2.96
250RA/540RA 12	9.75	7.73	5.35	4.76	3.58
250RA/540RA 16	19.50	15.46	10.69	9.52	7.16
250RA/540RA 20	27.57	21.86	15.11	13.46	10.12

NOTE: Capacity is based on largest connection size.

SUCTION GAS CAPACITIES - TONS

SUCTION GAS CAPACITIES - kW

SUCTION GAS CAPACITIES @ 2 PSI PRESSURE DROP					
VALVE SERIES	EVAPORATOR TEMPERATURE (°F)				
	40	20	0	-20	-40
R-454B/R-452B					
100RB	0.16	0.13	0.10	0.08	0.06
150RB 1	0.16	0.13	0.10	0.08	0.06
150RB 3	0.39	0.32	0.25	0.21	0.15
150RB 7	0.54	0.44	0.36	0.28	0.21
150RB 9	1.02	0.84	0.67	0.53	0.39
200RB/500RB 2	0.39	0.32	0.25	0.21	0.15
200RB/500RB 3	0.54	0.44	0.36	0.28	0.21
200RB/500RB 4	1.02	0.84	0.67	0.53	0.39
200RB/500RB 5	1.24	1.01	0.82	0.63	0.45
200RB/500RB 6	1.31	1.07	0.86	0.68	0.49
250RA 8	1.73	1.38	1.15	0.92	0.69
250RA 9T5	2.30	1.84	1.50	1.15	0.92
250RA 9	2.76	2.30	1.84	1.38	1.15
250RA 12	3.34	2.76	2.19	1.73	1.38
250RA 16	6.67	5.41	4.37	3.45	2.65
250RA 20	9.43	7.71	6.21	4.83	3.80
R-454C					
100RB	0.12	0.11	0.10	0.08	0.06
150RB 1	0.12	0.11	0.10	0.08	0.06
150RB 3	0.30	0.28	0.25	0.20	0.16
150RB 7	0.41	0.39	0.34	0.28	0.21
150RB 9	0.78	0.74	0.65	0.52	0.41
200RB/500RB 2	0.30	0.28	0.25	0.20	0.16
200RB/500RB 3	0.41	0.39	0.34	0.28	0.21
200RB/500RB 4	0.78	0.74	0.65	0.52	0.41
200RB/500RB 5	0.95	0.89	0.79	0.63	0.49
200RB/500RB 6	1.00	0.94	0.84	0.67	0.52
R-455A					
100RB	0.12	0.10	0.08	0.06	0.04
150RB 1	0.12	0.10	0.08	0.06	0.04
150RB 3	0.30	0.24	0.19	0.15	0.11
150RB 7	0.42	0.34	0.26	0.20	0.15
150RB 9	0.79	0.64	0.50	0.38	0.29
200RB/500RB 2	0.30	0.24	0.19	0.15	0.11
200RB/500RB 3	0.42	0.34	0.26	0.20	0.15
200RB/500RB 4	0.79	0.64	0.50	0.38	0.29
200RB/500RB 5	0.96	0.77	0.61	0.46	0.35
200RB/500RB 6	1.01	0.82	0.64	0.49	0.37
250RA/540RA 8	1.33	1.07	0.84	0.65	0.48
250RA/540RA 9T5	1.78	1.43	1.12	0.86	0.64
250RA/540RA 9	2.14	1.72	1.35	1.03	0.77
250RA/540RA 12	2.58	2.07	1.63	1.25	0.93
250RA/540RA 16	5.16	4.15	3.26	2.50	1.86
250RA/540RA 20	7.30	5.87	4.61	3.53	2.63

SUCTION GAS CAPACITIES @ 14.0 kPa PRESSURE DROP					
VALVE SERIES	EVAPORATOR TEMPERATURE (°C)				
	4	-7	-18	-29	-40
R-454B/R-452B					
100RB	0.55	0.45	0.36	0.29	0.21
150RB 1	0.55	0.45	0.36	0.29	0.21
150RB 3	1.38	1.13	0.89	0.73	0.53
150RB 7	1.90	1.54	1.25	0.97	0.73
150RB 9	3.60	2.95	2.35	1.86	1.38
200RB/500RB 2	1.38	1.13	0.89	0.73	0.53
200RB/500RB 3	1.90	1.54	1.25	0.97	0.73
200RB/500RB 4	3.60	2.95	2.35	1.86	1.38
200RB/500RB 5	4.37	3.56	2.87	2.22	1.58
200RB/500RB 6	4.61	3.76	3.03	2.39	1.74
250RA 8	6.07	4.85	4.04	3.24	2.43
250RA 9T5	8.09	6.47	5.26	4.04	3.24
250RA 9	9.71	8.09	6.47	4.85	4.04
250RA 12	11.73	9.71	7.68	6.07	4.85
250RA 16	23.46	19.01	15.37	12.13	9.30
250RA 20	33.16	27.10	21.84	16.99	13.35
R-454C					
100RB	0.42	0.40	0.35	0.28	0.22
150RB 1	0.42	0.40	0.35	0.28	0.22
150RB 3	1.05	0.99	0.88	0.70	0.55
150RB 7	1.45	1.37	1.21	0.97	0.75
150RB 9	2.74	2.59	2.30	1.83	1.43
200RB/500RB 2	1.05	0.99	0.88	0.70	0.55
200RB/500RB 3	1.45	1.37	1.21	0.97	0.75
200RB/500RB 4	2.74	2.59	2.30	1.83	1.43
200RB/500RB 5	3.33	3.14	2.79	2.22	1.73
200RB/500RB 6	3.51	3.31	2.94	2.35	1.83
R-455A					
100RB	0.43	0.34	0.27	0.21	0.15
150RB 1	0.43	0.34	0.27	0.21	0.15
150RB 3	1.06	0.86	0.67	0.51	0.38
150RB 7	1.47	1.18	0.93	0.71	0.53
150RB 9	2.79	2.24	1.76	1.35	1.00
200RB/500RB 2	1.06	0.86	0.67	0.51	0.38
200RB/500RB 3	1.47	1.18	0.93	0.71	0.53
200RB/500RB 4	2.79	2.24	1.76	1.35	1.00
200RB/500RB 5	3.38	2.72	2.13	1.64	1.22
200RB/500RB 6	3.57	2.87	2.25	1.73	1.28
250RA/540RA 8	4.69	3.77	2.96	2.27	1.69
250RA/540RA 9T5	6.26	5.03	3.95	3.03	2.25
250RA/540RA 9	7.51	6.04	4.74	3.63	2.70
250RA/540RA 12	9.08	7.30	5.73	4.39	3.27
250RA/540RA 16	18.15	14.59	11.46	8.78	6.53
250RA/540RA 20	25.66	20.63	16.21	12.42	9.24

NOTE: Capacity is based on largest connection size.

SUCTION GAS CAPACITIES - TONS

SUCTION GAS CAPACITIES - kW

SUCTION GAS CAPACITIES @ 2 PSI PRESSURE DROP					
VALVE SERIES	EVAPORATOR TEMPERATURE (°F)				
	40	20	0	-20	-40
R-502					
100RB	0.11	0.09	0.07	0.05	0.04
150RB 1	0.11	0.09	0.07	0.05	0.04
150RB 3	0.28	0.22	0.17	0.13	0.10
150RB 7	0.38	0.30	0.24	0.19	0.13
150RB 9	0.71	0.57	0.45	0.35	0.26
200RB/500RB 2	0.28	0.22	0.17	0.13	0.10
200RB/500RB 3	0.38	0.30	0.24	0.19	0.13
200RB/500RB 4	0.71	0.57	0.45	0.35	0.26
200RB/500RB 5	0.86	0.69	0.55	0.42	0.30
200RB/500RB 6	0.92	0.74	0.58	0.45	0.33
200RB/500RB 7	1.60	1.30	1.00	0.80	0.60
240RA/250RA/540RA 8	1.20	1.00	0.80	0.60	0.40
240RA/250RA/540RA 9T5	1.60	1.30	1.00	0.80	0.60
240RA/250RA/540RA 9	1.90	1.50	1.20	0.90	0.07
240RA/250RA/540RA 12	2.30	1.90	14.50	1.10	0.80
240RA/250RA/540RA 16	4.60	3.70	2.90	2.30	1.70
240RA/250RA/540RA 20	6.50	5.20	4.10	3.20	2.40
R-513A/R-450A					
100RB	0.10	0.08	0.06	0.04	0.03
150RB 1	0.10	0.08	0.06	0.04	0.03
150RB 3	0.24	0.19	0.15	0.11	0.08
150RB 7	0.33	0.27	0.20	0.15	0.11
150RB 9	0.62	0.50	0.39	0.29	0.21
200RB/500RB 2	0.24	0.19	0.15	0.11	0.08
200RB/500RB 3	0.33	0.27	0.20	0.15	0.11
200RB/500RB 4	0.62	0.50	0.39	0.29	0.21
200RB/500RB 5	0.76	0.61	0.47	0.35	0.26
200RB/500RB 6	0.80	0.64	0.50	0.37	0.27
200RB/500RB 7	1.33	1.07	0.83	0.62	0.45
240RA/250RA/540RA 8	1.05	0.85	0.65	0.49	0.35
240RA/250RA/540RA 9T5	1.40	1.13	0.87	0.65	0.47
240RA/250RA/540RA 9	1.68	1.35	1.04	0.78	0.57
240RA/250RA/540RA 12	2.03	1.64	1.26	0.94	0.69
240RA/250RA/540RA 16	4.06	3.27	2.52	1.89	1.37
240RA/250RA/540RA 20	5.74	4.63	3.56	2.67	1.94

SUCTION GAS CAPACITIES @ 14.0 kPa PRESSURE DROP					
VALVE SERIES	EVAPORATOR TEMPERATURE (°C)				
	4	-7	-18	-29	-40
R-502					
100RB	0.39	0.31	0.24	0.18	0.14
150RB 1	0.39	0.31	0.24	0.18	0.14
150RB 3	0.98	0.77	0.60	0.46	0.35
150RB 7	1.34	1.06	0.84	0.67	0.46
150RB 9	2.50	2.00	1.58	1.23	0.91
200RB/500RB 2	0.98	0.77	0.60	0.46	0.35
200RB/500RB 3	1.34	1.06	0.84	0.67	0.46
200RB/500RB 4	2.50	2.00	1.58	1.23	0.91
200RB/500RB 5	3.02	2.43	1.93	1.48	1.06
200RB/500RB 6	3.24	2.60	2.04	1.58	1.16
200RB/500RB 7	5.60	4.60	3.50	2.80	2.10
240RA/250RA/540RA 8	4.22	3.52	2.81	2.11	1.41
240RA/250RA/540RA 9T5	5.63	4.57	3.52	2.81	2.11
240RA/250RA/540RA 9	6.68	5.28	4.22	3.17	0.25
240RA/250RA/540RA 12	8.09	6.68	51.00	3.87	2.81
240RA/250RA/540RA 16	16.18	13.01	10.20	8.09	5.98
240RA/250RA/540RA 20	22.86	18.29	14.42	11.25	8.44
R-513A/R-450A					
100RB	0.34	0.27	0.21	0.15	0.11
150RB 1	0.34	0.27	0.21	0.15	0.11
150RB 3	0.84	0.67	0.52	0.39	0.28
150RB 7	1.16	0.93	0.72	0.54	0.39
150RB 9	2.19	1.77	1.36	1.02	0.74
200RB/500RB 2	0.84	0.67	0.52	0.39	0.28
200RB/500RB 3	1.16	0.93	0.72	0.54	0.39
200RB/500RB 4	2.19	1.77	1.36	1.02	0.74
200RB/500RB 5	2.66	2.14	1.65	1.24	0.90
200RB/500RB 6	2.80	2.26	1.74	1.31	0.95
200RB/500RB 7	4.67	3.77	2.90	2.18	1.58
240RA/250RA/540RA 8	3.69	2.98	2.29	1.72	1.25
240RA/250RA/540RA 9T5	4.92	3.97	3.06	2.29	1.66
240RA/250RA/540RA 9	5.90	4.76	3.67	2.75	2.00
240RA/250RA/540RA 12	7.13	5.75	4.43	3.32	2.41
240RA/250RA/540RA 16	14.27	11.51	8.87	6.65	4.83
240RA/250RA/540RA 20	20.17	16.27	12.53	9.40	6.82

SUCTION GAS CAPACITIES @ 2 PSI PRESSURE DROP					
VALVE SERIES	EVAPORATOR TEMPERATURE (°F)				
	0	-10	-20	-30	-40
R-744					
100RB	0.21	0.20	0.18	0.17	0.16
150RB 1	0.21	0.20	0.18	0.17	0.16
150RB 3	0.52	0.49	0.46	0.43	0.39
150RB 7	1.07	1.00	0.94	0.87	0.80
150RB 9	2.00	1.88	1.76	1.63	1.50
200RB/500RB 2	0.52	0.49	0.46	0.43	0.39
200RB/500RB 3	1.07	1.00	0.94	0.87	0.80
200RB/500RB 4	2.00	1.88	1.76	1.63	1.50
200RB/500RB 5	2.43	2.29	2.14	1.98	1.82
200RB/500RB 6	2.56	2.41	2.25	2.09	1.92
200RB/500RB 7	2.71	2.55	2.39	2.21	2.03
250RA 8	3.38	3.18	2.97	2.76	2.53
250RA 9T5	4.48	4.22	3.94	3.66	3.36
250RA 9	5.40	5.09	4.75	4.41	4.05
250RA 12	6.50	6.12	5.72	5.31	4.88
250RA 16	13.03	12.27	11.45	10.64	9.77
250RA 20	18.41	17.33	16.18	15.03	13.80

SUCTION GAS CAPACITIES @ 14.0 kPa PRESSURE DROP					
VALVE SERIES	EVAPORATOR TEMPERATURE (°F)				
	0	-10	-20	-30	-40
R-744					
100RB	0.73	0.69	0.65	0.60	0.55
150RB 1	0.73	0.69	0.65	0.60	0.55
150RB 3	1.84	1.73	1.62	1.50	1.38
150RB 7	3.75	3.53	3.30	3.06	2.81
150RB 9	7.03	6.63	6.19	5.74	5.27
200RB/500RB 2	1.84	1.73	1.62	1.50	1.38
200RB/500RB 3	3.75	3.53	3.30	3.06	2.81
200RB/500RB 4	7.03	6.63	6.19	5.74	5.27
200RB/500RB 5	8.55	8.05	7.52	6.97	6.41
200RB/500RB 6	9.01	8.49	7.93	7.35	6.75
200RB/500RB 7	9.53	8.98	8.39	7.78	7.14
250RA 8	11.88	11.19	10.45	9.70	8.91
250RA 9T5	15.76	14.83	13.85	12.86	11.82
250RA 9	19.00	17.88	16.70	15.51	14.25
250RA 12	22.87	21.53	20.10	18.67	17.15
250RA 16	45.83	43.14	40.28	37.41	34.37
250RA 20	64.74	60.94	56.90	52.85	48.55

NOTE: Shading indicates nominal ratings at 20°F Liquid, -20°F Evaporating Temperature, and 25°F Superheat

DISCHARGE GAS CAPACITIES - TONS

DISCHARGE GAS CAPACITIES - kW

PRESSURE DROP ACROSS VALVE - PSI						
VALVE SERIES	2.0	5.0	10	25.0	50	100
R-12						
100RB	0.10	0.20	0.30	0.50	0.50	0.50
150RB 1	0.10	0.20	0.30	0.50	0.50	0.50
150RB 3	0.35	0.50	0.75	1.05	1.20	1.35
150RB 7	0.45	0.75	1.00	1.45	1.75	1.85
150RB 9	0.85	1.35	1.95	2.70	3.55	4.25
200RB/500RB 2	0.35	0.50	0.75	1.05	1.20	1.35
200RB/500RB 3	0.45	0.75	1.00	1.45	1.75	1.85
200RB/500RB 4	0.85	1.35	1.95	2.70	3.55	4.25
200RB/500RB 5	1.05	1.65	2.45	3.30	4.45	5.45
200RB/500RB 6	1.15	1.75	2.50	3.70	4.80	5.85
200RB/500RB 7	1.50	2.40	3.30	5.20	6.60	7.20
240RA/250RA/540RA 8	1.50	2.40	3.30	5.20	6.60	7.20
240RA/250RA/540RA 9T5	2.50	4.00	5.60	8.30	10.40	11.20
240RA/250RA/540RA 9	3.20	5.00	7.10	10.10	12.10	11.10
240RA/250RA/540RA 12	3.50	5.50	7.80	11.70	14.00	12.40
240RA/250RA/540RA 16	5.80	9.10	12.90	18.90	23.60	24.30
240RA/250RA/540RA 20	8.10	12.80	18.10	28.20	34.40	33.10
R-1234yf						
100RB	0.13	0.20	0.28	0.41	0.52	0.54
150RB 1	0.13	0.20	0.28	0.41	0.52	0.54
150RB 3	0.29	0.45	0.63	0.93	1.17	1.23
150RB 7	0.42	0.65	0.91	1.34	1.68	1.77
150RB 9	0.81	1.26	1.74	2.58	3.24	3.40
200RB/500RB 2	0.29	0.45	0.63	0.93	1.17	1.23
200RB/500RB 3	0.42	0.65	0.91	1.34	1.68	1.77
200RB/500RB 4	0.81	1.26	1.74	2.58	3.24	3.40
200RB/500RB 5	0.97	1.51	2.09	3.10	3.88	4.09
200RB/500RB 6	1.03	1.61	2.23	3.30	4.14	4.36
R-134a						
100RB	0.20	0.20	0.30	0.50	0.60	0.60
150RB 1	0.20	0.20	0.30	0.50	0.60	0.60
150RB 3	0.40	0.65	0.90	1.30	1.55	1.40
150RB 7	0.55	0.85	1.20	1.75	2.15	2.05
150RB 9	1.00	1.65	2.30	3.25	4.30	5.20
200RB/500RB 2	0.40	0.65	0.90	1.30	1.55	1.40
200RB/500RB 3	0.55	0.85	1.20	1.75	2.15	2.05
200RB/500RB 4	1.00	1.65	2.30	3.25	4.30	5.20
200RB/500RB 5	1.25	2.00	2.85	4.00	5.40	6.85
200RB/500RB 6	1.35	2.15	3.00	4.45	5.80	6.95
200RB/500RB 7	1.80	2.80	4.00	6.20	8.00	8.90
240RA/250RA/540RA 8	1.80	2.80	4.00	6.20	8.00	8.90
240RA/250RA/540RA 9T5	3.00	4.70	6.70	10.00	12.70	13.90
240RA/250RA/540RA 9	3.80	6.00	8.50	12.20	14.80	14.20
240RA/250RA/540RA 12	4.20	6.60	9.40	14.20	17.10	15.90
240RA/250RA/540RA 16	6.90	10.90	15.40	22.80	28.60	30.40
240RA/250RA/540RA 20	9.70	15.30	21.60	34.00	41.90	41.90

PRESSURE DROP ACROSS VALVE - kPa						
VALVE SERIES	13.8	34.5	69	172.5	345	690
R-12						
100RB	0.35	0.70	1.06	1.76	1.76	1.76
150RB 1	0.35	0.70	1.06	1.76	1.76	1.76
150RB 3	1.23	1.76	2.64	3.69	4.22	4.75
150RB 7	1.58	2.64	3.52	5.10	6.15	6.51
150RB 9	2.99	4.75	6.86	9.50	12.48	14.95
200RB/500RB 2	1.23	1.76	2.64	3.69	4.22	4.75
200RB/500RB 3	1.58	2.64	3.52	5.10	6.15	6.51
200RB/500RB 4	2.99	4.75	6.86	9.50	12.48	14.95
200RB/500RB 5	3.69	5.80	8.62	11.61	15.65	19.17
200RB/500RB 6	4.04	6.15	8.79	13.01	16.88	20.57
200RB/500RB 7	5.28	8.44	11.61	18.29	23.21	25.32
240RA/250RA/540RA 8	5.28	8.44	11.61	18.29	23.21	25.32
240RA/250RA/540RA 9T5	8.79	14.07	19.69	29.19	36.58	39.39
240RA/250RA/540RA 9	11.25	17.58	24.97	35.52	42.55	39.04
240RA/250RA/540RA 12	12.31	19.34	27.43	41.15	49.24	43.61
240RA/250RA/540RA 16	20.40	32.00	45.37	66.47	83.00	85.46
240RA/250RA/540RA 20	28.49	45.02	63.66	99.18	120.98	116.41
R-1234yf						
100RB	0.45	0.71	0.98	1.45	1.82	1.92
150RB 1	0.45	0.71	0.98	1.45	1.82	1.92
150RB 3	1.02	1.59	2.21	3.27	4.10	4.31
150RB 7	1.48	2.30	3.19	4.72	5.92	6.23
150RB 9	2.84	4.43	6.13	9.08	11.38	11.97
200RB/500RB 2	1.02	1.59	2.21	3.27	4.10	4.31
200RB/500RB 3	1.48	2.30	3.19	4.72	5.92	6.23
200RB/500RB 4	2.84	4.43	6.13	9.08	11.38	11.97
200RB/500RB 5	3.40	5.32	7.36	10.90	13.66	14.37
200RB/500RB 6	3.63	5.67	7.85	11.62	14.57	15.33
R-134a						
100RB	0.70	0.70	1.06	1.76	2.11	2.11
150RB 1	0.70	0.70	1.06	1.76	2.11	2.11
150RB 3	1.41	2.29	3.17	4.57	5.45	4.92
150RB 7	1.93	2.99	4.22	6.15	7.56	7.21
150RB 9	3.52	5.80	8.09	11.43	15.12	18.29
200RB/500RB 2	1.41	2.29	3.17	4.57	5.45	4.92
200RB/500RB 3	1.93	2.99	4.22	6.15	7.56	7.21
200RB/500RB 4	3.52	5.80	8.09	11.43	15.12	18.29
200RB/500RB 5	4.40	7.03	10.02	14.07	18.99	24.09
200RB/500RB 6	4.75	7.56	10.55	15.65	20.40	24.44
200RB/500RB 7	6.33	9.85	14.07	21.80	28.14	31.30
240RA/250RA/540RA 8	6.33	9.85	14.07	21.80	28.14	31.30
240RA/250RA/540RA 9T5	10.55	16.53	23.56	35.17	44.66	48.88
240RA/250RA/540RA 9	13.36	21.10	29.89	42.91	52.05	49.94
240RA/250RA/540RA 12	14.77	23.21	33.06	49.94	60.14	55.92
240RA/250RA/540RA 16	24.27	38.33	54.16	80.19	100.58	106.91
240RA/250RA/540RA 20	34.11	53.81	75.97	119.57	147.36	147.36

NOTE: Shading indicates AHRI standard ratings
 NOTE: Capacity is based on largest connection size.

DISCHARGE GAS CAPACITIES - TONS

PRESSURE DROP ACROSS VALVE - PSI						
VALVE SERIES	2.0	5.0	10	25.0	50	100
R-22						
100RB	0.20	0.30	0.40	0.60	0.80	1.00
150RB 1	0.20	0.30	0.40	0.60	0.80	1.00
150RB 3	0.45	0.75	1.05	1.65	2.10	2.40
150RB 7	0.65	1.05	1.45	2.25	2.95	3.35
150RB 9	1.25	1.95	2.80	4.05	5.50	7.05
200RB/500RB 2	0.45	0.75	1.05	1.65	2.10	2.40
200RB/500RB 3	0.65	1.05	1.45	2.25	2.95	3.35
200RB/500RB 4	1.25	1.95	2.80	4.05	5.50	7.05
200RB/500RB 5	1.50	2.37	3.50	4.90	6.75	9.00
200RB/500RB 6	1.60	2.55	3.60	5.50	7.40	9.45
200RB/500RB 7	2.10	3.40	4.80	7.80	10.40	12.80
240RA/250RA/540RA 8	2.10	3.40	4.80	7.80	10.40	12.80
240RA/250RA/540RA 9T5	3.60	5.70	8.10	12.50	16.60	20.40
240RA/250RA/540RA 9	4.60	7.20	10.20	15.40	20.00	23.10
240RA/250RA/540RA 12	5.10	8.00	11.30	18.10	23.40	26.60
240RA/250RA/540RA 16	8.30	13.20	18.70	28.60	37.80	45.63
240RA/250RA/540RA 20	11.70	18.40	26.10	43.00	56.10	66.00
R-290						
100RB	0.35	0.55	0.76	1.16	1.53	1.85
150RB 1	0.35	0.55	0.76	1.16	1.53	1.85
150RB 3	0.78	1.23	1.72	2.61	3.44	4.16
150RB 7	1.13	1.78	2.48	3.77	4.97	6.01
150RB 9	2.18	3.42	4.77	7.25	9.56	11.55
200RB/500RB 2	0.78	1.23	1.72	2.61	3.44	4.16
200RB/500RB 3	1.13	1.78	2.48	3.77	4.97	6.01
200RB/500RB 4	2.18	3.42	4.77	7.25	9.56	11.55
200RB/500RB 5	2.62	4.10	5.73	8.70	11.47	13.86
200RB/500RB 6	2.79	4.38	6.11	9.28	12.24	14.79
200RB/500RB 7	3.66	5.74	8.02	12.18	23.50	30.98
R-32						
100RB	0.31	0.47	0.63	0.94	1.26	1.57
150RB 1	0.31	0.47	0.63	0.94	1.26	1.57
150RB 3	0.71	1.18	1.65	2.59	3.30	3.77
150RB 7	1.02	1.65	2.28	3.53	4.63	5.26
150RB 9	1.96	3.06	4.40	6.36	8.64	11.07
200RB/500RB 2	0.71	1.18	1.65	2.59	3.30	3.77
200RB/500RB 3	1.02	1.65	2.28	3.53	4.63	5.26
200RB/500RB 4	1.96	3.06	4.40	6.36	8.64	11.07
200RB/500RB 5	2.36	3.72	5.50	7.69	10.60	14.13
200RB/500RB 6	2.51	4.00	5.65	8.64	11.62	14.84
250RA 8	3.30	5.34	7.54	12.25	16.33	20.10
250RA 9T (5/8)	5.65	8.95	12.72	19.63	26.06	32.03
250RA 9T (7/8 & Up)	7.22	11.30	16.01	24.18	31.40	36.27
250RA 12	8.01	12.56	17.74	28.42	36.74	41.76
250RA 16	13.03	20.72	29.36	44.90	59.35	71.64
250RA 20	18.37	28.89	40.98	67.51	88.08	103.62

NOTE: Shading indicates AHRI standard ratings
 NOTE: Capacity is based on largest connection size.

DISCHARGE GAS CAPACITIES - kW

PRESSURE DROP ACROSS VALVE - kPa						
VALVE SERIES	13.8	34.5	69	172.5	345	690
R-22						
100RB	0.70	1.06	1.41	2.11	2.81	3.52
150RB 1	0.70	1.06	1.41	2.11	2.81	3.52
150RB 3	1.58	2.64	3.69	5.80	7.39	8.44
150RB 7	2.29	3.69	5.10	7.91	10.37	11.78
150RB 9	4.40	6.86	9.85	14.24	19.34	24.79
200RB/500RB 2	1.58	2.64	3.69	5.80	7.39	8.44
200RB/500RB 3	2.29	3.69	5.10	7.91	10.37	11.78
200RB/500RB 4	4.40	6.86	9.85	14.24	19.34	24.79
200RB/500RB 5	5.28	8.34	12.31	17.23	23.74	31.65
200RB/500RB 6	5.63	8.97	12.66	19.34	26.03	33.23
200RB/500RB 7	7.39	11.96	16.88	27.43	36.58	45.02
240RA/250RA/540RA 8	7.39	11.96	16.88	27.43	36.58	45.02
240RA/250RA/540RA 9T5	12.66	20.05	28.49	43.96	58.38	71.74
240RA/250RA/540RA 9	16.18	25.32	35.87	54.16	70.34	81.24
240RA/250RA/540RA 12	17.94	28.14	39.74	63.66	82.30	93.55
240RA/250RA/540RA 16	29.19	46.42	65.77	100.58	132.94	160.48
240RA/250RA/540RA 20	41.15	64.71	91.79	151.23	197.30	232.12
R-290						
100RB	1.23	1.93	2.67	4.08	5.38	6.51
150RB 1	1.23	1.93	2.67	4.08	5.38	6.51
150RB 3	2.74	4.33	6.05	9.18	12.10	14.63
150RB 7	3.97	6.26	8.72	13.26	17.48	21.14
150RB 9	7.67	12.03	16.78	25.50	33.62	40.62
200RB/500RB 2	2.74	4.33	6.05	9.18	12.10	14.63
200RB/500RB 3	3.97	6.26	8.72	13.26	17.48	21.14
200RB/500RB 4	7.67	12.03	16.78	25.50	33.62	40.62
200RB/500RB 5	9.21	14.42	20.15	30.60	40.34	48.74
200RB/500RB 6	9.81	15.40	21.49	32.64	43.05	52.01
200RB/500RB 7	12.87	20.19	28.21	42.84	56.48	68.26
R-32						
100RB	1.10	1.66	2.21	3.31	4.42	5.52
150RB 1	1.10	1.66	2.21	3.31	4.42	5.52
150RB 3	2.48	4.14	5.80	9.11	11.60	13.25
150RB 7	3.59	5.80	8.01	12.42	16.29	18.50
150RB 9	6.90	10.77	15.46	22.36	30.37	38.93
200RB/500RB 2	2.48	4.14	5.80	9.11	11.60	13.25
200RB/500RB 3	3.59	5.80	8.01	12.42	16.29	18.50
200RB/500RB 4	6.90	10.77	15.46	22.36	30.37	38.93
200RB/500RB 5	8.28	13.09	19.33	27.06	37.27	49.69
200RB/500RB 6	8.83	14.08	19.88	30.37	40.86	52.18
250RA 8	11.60	18.77	26.50	43.07	57.42	70.67
250RA 9T (5/8)	19.88	31.47	44.72	69.02	91.66	112.64
250RA 9T (7/8 & Up)	25.40	39.75	56.32	85.03	110.43	127.55
250RA 12	28.16	44.17	62.39	99.94	129.20	146.87
250RA 16	45.83	72.88	103.25	157.91	208.71	251.94
250RA 20	64.60	101.59	144.11	237.42	309.75	364.42

DISCHARGE GAS

SOLENOID CAPACITY TABLES

DISCHARGE GAS CAPACITIES - TONS

PRESSURE DROP ACROSS VALVE - PSI						
VALVE SERIES	2.0	5.0	10	25.0	50	100
	R-404A/R-507					
100RB	0.20	0.30	0.40	0.60	0.70	0.90
150RB 1	0.20	0.30	0.40	0.60	0.70	0.90
150RB 3	0.45	0.70	1.00	1.50	1.95	2.25
150RB 7	0.60	0.95	1.30	2.00	2.65	3.15
150RB 9	1.10	1.75	2.50	3.65	4.95	6.45
200RB/500RB 2	0.45	0.70	1.00	1.50	1.95	2.25
200RB/500RB 3	0.60	0.95	1.30	2.00	2.65	3.15
200RB/500RB 4	1.10	1.75	2.50	3.65	4.95	6.45
200RB/500RB 5	1.35	2.05	3.00	4.35	5.80	8.15
200RB/500RB 6	1.45	2.20	3.15	4.45	6.00	8.67
200RB/500RB 7	1.80	2.90	4.10	5.70	8.90	11.30
240RA/250RA/540RA 8	1.80	2.90	4.10	6.70	8.90	11.30
240RA/250RA/540RA 9T5	3.10	4.90	6.90	10.70	14.30	17.90
240RA/250RA/540RA 9	3.90	6.20	8.70	13.30	17.40	20.20
240RA/250RA/540RA 12	4.30	6.80	9.60	15.50	20.30	23.90
240RA/250RA/540RA 16	7.10	11.30	16.00	23.60	30.80	36.20
240RA/250RA/540RA 20	9.90	15.70	22.20	36.90	48.70	58.90
R-407C						
100RB	0.20	0.30	0.40	0.60	0.80	1.00
150RB 1	0.20	0.30	0.40	0.60	0.80	1.00
150RB 3	0.45	0.70	0.95	1.45	1.90	2.25
150RB 7	0.60	0.90	1.25	1.95	2.55	3.05
150RB 9	1.05	1.70	2.40	3.50	4.75	6.20
200RB/500RB 2	0.45	0.70	0.95	1.45	1.90	2.25
200RB/500RB 3	0.60	0.90	1.25	1.95	2.55	3.05
200RB/500RB 4	1.05	1.70	2.40	3.50	4.75	6.20
200RB/500RB 5	1.30	2.10	3.00	4.20	5.80	7.85
200RB/500RB 6	1.40	2.20	3.10	4.75	7.55	8.35
200RB/500RB 7	2.10	3.30	4.70	7.70	10.30	13.00
240RA/250RA/540RA 8	2.10	3.30	4.70	7.70	10.30	13.00
240RA/250RA/540RA 9T5	3.60	5.60	8.00	12.40	16.50	20.60
240RA/250RA/540RA 9	4.50	7.10	10.10	15.30	20.00	22.50
240RA/250RA/540RA 12	6.00	9.50	13.40	21.20	29.60	37.10
240RA/250RA/540RA 16	8.20	13.00	18.40	28.40	37.70	46.20
240RA/250RA/540RA 20	11.50	18.20	25.70	42.70	56.10	67.20

DISCHARGE GAS CAPACITIES - kW

PRESSURE DROP ACROSS VALVE - kPa						
VALVE SERIES	13.8	34.5	69	172.5	345	690
	R-404A/R-507					
100RB	0.70	1.06	1.41	2.11	2.46	3.17
150RB 1	0.70	1.06	1.41	2.11	2.46	3.17
150RB 3	1.58	2.46	3.52	5.28	6.86	7.91
150RB 7	2.11	3.34	4.57	7.03	9.32	11.08
150RB 9	3.87	6.15	8.79	12.84	17.41	22.68
200RB/500RB 2	1.58	2.46	3.52	5.28	6.86	7.91
200RB/500RB 3	2.11	3.34	4.57	7.03	9.32	11.08
200RB/500RB 4	3.87	6.15	8.79	12.84	17.41	22.68
200RB/500RB 5	4.75	7.21	10.55	15.30	20.40	28.66
200RB/500RB 6	5.10	7.74	11.08	15.65	21.10	30.49
200RB/500RB 7	6.33	10.20	14.42	20.05	31.30	39.74
240RA/250RA/540RA 8	6.33	10.20	14.42	23.56	31.30	39.74
240RA/250RA/540RA 9T5	10.90	17.23	24.27	37.63	50.29	62.95
240RA/250RA/540RA 9	13.72	21.80	30.60	46.77	61.19	71.04
240RA/250RA/540RA 12	15.12	23.91	33.76	54.51	71.39	84.05
240RA/250RA/540RA 16	24.97	39.74	56.27	83.00	108.32	127.31
240RA/250RA/540RA 20	34.82	55.22	78.08	129.77	171.27	207.15
R-407C						
100RB	0.70	1.06	1.41	2.11	2.81	3.52
150RB 1	0.70	1.06	1.41	2.11	2.81	3.52
150RB 3	1.58	2.46	3.34	5.10	6.68	7.91
150RB 7	2.11	3.17	4.40	6.86	8.97	10.73
150RB 9	3.69	5.98	8.44	12.31	16.71	21.80
200RB/500RB 2	1.58	2.46	3.34	5.10	6.68	7.91
200RB/500RB 3	2.11	3.17	4.40	6.86	8.97	10.73
200RB/500RB 4	3.69	5.98	8.44	12.31	16.71	21.80
200RB/500RB 5	4.57	7.39	10.55	14.77	20.40	27.61
200RB/500RB 6	4.92	7.74	10.90	16.71	26.55	29.37
200RB/500RB 7	7.39	11.61	16.53	27.08	36.22	45.72
240RA/250RA/540RA 8	7.39	11.61	16.53	27.08	36.22	45.72
240RA/250RA/540RA 9T5	12.66	19.69	28.14	43.61	58.03	72.45
240RA/250RA/540RA 9	15.83	24.97	35.52	53.81	70.34	79.13
240RA/250RA/540RA 12	21.10	33.41	47.13	74.56	104.10	130.48
240RA/250RA/540RA 16	28.84	45.72	64.71	99.88	132.59	162.48
240RA/250RA/540RA 20	40.44	64.01	90.38	150.17	197.30	236.34

NOTE: Shading indicates AHRI standard ratings
 NOTE: Capacity is based on largest connection size.

DISCHARGE GAS CAPACITIES - TONS

PRESSURE DROP ACROSS VALVE - PSI						
VALVE SERIES	2.0	5.0	10	25.0	50	100
	R-410A					
100RB	0.24	0.37	0.49	0.73	0.98	1.22
150RB 1	0.24	0.37	0.49	0.73	0.98	1.22
150RB 3	0.55	0.90	1.30	2.05	2.75	3.40
150RB 7	0.80	1.25	1.75	2.80	3.75	4.70
150RB 9	1.50	2.40	3.35	5.35	6.80	9.10
200RB/500RB 2	0.55	0.90	1.30	2.05	2.75	3.40
200RB/500RB 3	0.80	1.25	1.75	2.80	3.75	4.70
200RB/500RB 4	1.50	2.40	3.35	5.35	6.80	9.10
200RB/500RB 5	1.85	2.95	4.25	6.75	8.30	11.30
200RB/500RB 6	2.00	3.10	4.35	6.85	9.25	12.25
200RB/500RB 7	2.30	3.55	5.00	7.80	9.80	13.00
250RA 8	2.56	4.15	5.86	9.52	12.69	15.62
250RA 9T5	4.39	6.95	9.88	15.25	20.25	24.89
250RA 9	5.61	8.78	12.44	18.79	24.40	28.18
250RA 12	6.22	9.76	13.79	22.08	28.55	32.45
250RA 16	10.13	16.10	22.81	34.89	46.12	55.67
250RA 20	14.27	22.45	31.84	52.46	68.44	80.52

DISCHARGE GAS CAPACITIES - kW

PRESSURE DROP ACROSS VALVE - kPa						
VALVE SERIES	13.8	34.5	69	172.5	345	690
	R-410A					
100RB	0.86	1.29	1.72	2.57	3.43	4.29
150RB 1	0.86	1.29	1.72	2.57	3.43	4.29
150RB 3	1.93	3.17	4.57	7.21	9.67	11.96
150RB 7	2.81	4.40	6.15	9.85	13.19	16.53
150RB 9	5.28	8.44	11.78	18.82	23.91	32.00
200RB/500RB 2	1.93	3.17	4.57	7.21	9.67	11.96
200RB/500RB 3	2.81	4.40	6.15	9.85	13.19	16.53
200RB/500RB 4	5.28	8.44	11.78	18.82	23.91	32.00
200RB/500RB 5	6.51	10.37	14.95	23.74	29.19	39.74
200RB/500RB 6	7.03	10.90	15.30	24.09	32.53	43.08
200RB/500RB 7	8.09	12.48	17.58	27.43	34.47	45.72
250RA 8	9.01	14.59	20.59	33.47	44.62	54.92
250RA 9T5	15.45	24.46	34.75	53.63	71.22	87.53
250RA 9	19.74	30.89	43.76	66.07	85.81	99.11
250RA 12	21.88	34.32	48.48	77.66	100.40	114.13
250RA 16	35.61	56.64	80.23	122.71	162.18	195.78
250RA 20	50.20	78.95	111.98	184.49	240.70	283.18

PRESSURE DROP ACROSS VALVE - PSI						
VALVE SERIES	13.8	34.5	69	172.5	345	690
	R-448A/R-449A					
100RB	0.23	0.36	0.51	0.78	1.04	1.31
150RB 1	0.23	0.36	0.51	0.78	1.04	1.31
150RB 3	0.52	0.81	1.14	1.75	2.34	2.96
150RB 7	0.75	1.17	1.64	2.52	3.39	4.27
150RB 9	1.44	2.26	3.16	4.85	6.51	8.21
200RB/500RB 2	0.52	0.81	1.14	1.75	2.34	2.96
200RB/500RB 3	0.75	1.17	1.64	2.52	3.39	4.27
200RB/500RB 4	1.44	2.26	3.16	4.85	6.51	8.21
200RB/500RB 5	1.72	2.71	3.80	5.82	7.81	9.86
200RB/500RB 6	1.84	2.89	4.05	6.21	8.33	10.51
200RB/500RB 7	2.41	3.79	5.31	8.15	10.94	13.80
240RA/250RA/540RA 8	2.41	3.79	5.31	8.15	10.94	13.80
240RA/250RA/540RA 9T5	4.14	6.51	9.11	13.97	18.75	23.66
240RA/250RA/540RA 9	5.29	8.31	11.64	17.86	23.96	30.23
240RA/250RA/540RA 12	5.86	9.22	12.91	19.80	26.56	33.51
240RA/250RA/540RA 16	9.54	15.00	21.00	32.22	43.23	54.54
240RA/250RA/540RA 20	13.45	21.14	29.61	45.42	60.94	76.89
R-454A						
100RB	0.23	0.36	0.50	0.77	1.03	1.29
150RB 1	0.23	0.36	0.50	0.77	1.03	1.29
150RB 3	0.51	0.80	1.13	1.73	2.31	2.89
150RB 7	0.74	1.16	1.63	2.49	3.33	4.18
150RB 9	1.42	2.24	3.13	4.79	6.41	8.04
200RB/500RB 2	0.51	0.80	1.13	1.73	2.31	2.89
200RB/500RB 3	0.74	1.16	1.63	2.49	3.33	4.18
200RB/500RB 4	1.42	2.24	3.13	4.79	6.41	8.04
200RB/500RB 5	1.71	2.68	3.75	5.75	7.70	9.65
200RB/500RB 6	1.82	2.86	4.00	6.13	8.21	10.29
250RA/540RA 8	2.39	3.76	5.26	8.05	10.77	13.51
250RA/540RA 9T5	4.10	6.44	9.01	13.80	18.47	23.15
250RA/540RA 9	5.23	8.23	11.51	17.63	23.60	29.58
250RA/540RA 12	5.80	9.12	12.76	19.55	26.16	32.80
250RA/540RA 16	9.44	14.84	20.77	31.82	42.58	53.38
250RA/540RA 20	13.31	20.92	29.28	44.85	60.02	75.24

PRESSURE DROP ACROSS VALVE - kPa						
VALVE SERIES	13.8	34.5	69	172.5	345	690
	R-448A/R-449A					
100RB	0.81	1.27	1.78	2.73	3.66	4.62
150RB 1	0.81	1.27	1.78	2.73	3.66	4.62
150RB 3	1.82	2.86	4.00	6.14	8.24	10.40
150RB 7	2.63	4.13	5.78	8.87	11.91	15.02
150RB 9	5.05	7.94	11.12	17.06	22.90	28.89
200RB/500RB 2	1.82	2.86	4.00	6.14	8.24	10.40
200RB/500RB 3	2.63	4.13	5.78	8.87	11.91	15.02
200RB/500RB 4	5.05	7.94	11.12	17.06	22.90	28.89
200RB/500RB 5	6.06	9.53	13.35	20.48	27.48	34.67
200RB/500RB 6	6.47	10.17	14.24	21.84	29.31	36.98
200RB/500RB 7	8.49	13.35	18.69	28.67	38.47	48.53
240RA/250RA/540RA 8	8.49	13.35	18.69	28.67	38.47	48.53
240RA/250RA/540RA 9T5	14.55	22.88	32.04	49.15	65.94	83.20
240RA/250RA/540RA 9	18.60	29.23	40.94	62.80	84.26	106.31
240RA/250RA/540RA 12	20.62	32.41	45.39	69.62	93.42	117.86
240RA/250RA/540RA 16	33.56	52.75	73.86	113.31	152.04	191.82
240RA/250RA/540RA 20	47.30	74.35	104.12	159.72	214.32	270.39
R-454A						
100RB	0.80	1.26	1.76	2.70	3.61	4.52
150RB 1	0.80	1.26	1.76	2.70	3.61	4.52
150RB 3	1.80	2.83	3.96	6.07	8.12	10.18
150RB 7	2.60	4.09	5.72	8.76	11.73	14.70
150RB 9	5.00	7.86	11.00	16.85	22.55	28.27
200RB/500RB 2	1.80	2.83	3.96	6.07	8.12	10.18
200RB/500RB 3	2.60	4.09	5.72	8.76	11.73	14.70
200RB/500RB 4	5.00	7.86	11.00	16.85	22.55	28.27
200RB/500RB 5	6.00	9.43	13.20	20.22	27.06	33.93
200RB/500RB 6	6.40	10.06	14.08	21.57	28.87	36.19
250RA/540RA 8	8.40	13.21	18.48	28.31	37.89	47.50
250RA/540RA 9T5	14.41	22.64	31.69	48.54	64.95	81.43
250RA/540RA 9	18.41	28.93	40.49	62.02	83.00	104.04
250RA/540RA 12	20.41	32.07	44.89	68.76	92.02	115.35
250RA/540RA 16	33.22	52.20	73.06	111.91	149.76	187.73
250RA/540RA 20	46.82	73.58	102.99	157.75	211.10	264.63

NOTE: Shading indicates AHRI standard ratings
 NOTE: Capacity is based on largest connection size.

DISCHARGE GAS CAPACITIES - TONS

PRESSURE DROP ACROSS VALVE - PSI						
VALVE SERIES	2.0	5.0	10	25.0	50	100
	R-454B/R-452B					
100RB	0.23	0.35	0.46	0.70	0.93	1.16
150RB 1	0.23	0.35	0.46	0.70	0.93	1.16
150RB 3	0.52	0.87	1.22	1.91	2.44	2.78
150RB 7	0.75	1.22	1.68	2.61	3.42	3.89
150RB 9	1.45	2.26	3.25	4.70	6.38	8.18
200RB/500RB 2	0.52	0.87	1.22	1.91	2.44	2.78
200RB/500RB 3	0.75	1.22	1.68	2.61	3.42	3.89
200RB/500RB 4	1.45	2.26	3.25	4.70	6.38	8.18
200RB/500RB 5	1.74	2.75	4.06	5.68	7.83	10.44
200RB/500RB 6	1.86	2.96	4.18	6.38	8.58	10.96
250RA 8	2.44	3.94	5.57	9.05	12.06	14.85
250RA 9T5	4.18	6.61	9.40	14.50	19.26	23.66
250RA 9	5.34	8.35	11.83	17.86	23.20	26.80
250RA 12	5.92	9.28	13.11	21.00	27.14	30.86
250RA 16	9.63	15.31	21.69	33.18	43.85	52.93
250RA 20	13.57	21.34	30.28	49.88	65.08	76.56

DISCHARGE GAS CAPACITIES - kW

PRESSURE DROP ACROSS VALVE - kPa						
VALVE SERIES	13.8	34.5	69	172.5	345	690
	R-454B/R-452B					
100RB	0.82	1.22	1.63	2.45	3.26	4.08
150RB 1	0.82	1.22	1.63	2.45	3.26	4.08
150RB 3	1.84	3.06	4.28	6.73	8.57	9.79
150RB 7	2.65	4.28	5.92	9.18	12.03	13.67
150RB 9	5.10	7.96	11.42	16.52	22.44	28.76
200RB/500RB 2	1.84	3.06	4.28	6.73	8.57	9.79
200RB/500RB 3	2.65	4.28	5.92	9.18	12.03	13.67
200RB/500RB 4	5.10	7.96	11.42	16.52	22.44	28.76
200RB/500RB 5	6.12	9.67	14.28	19.99	27.54	36.72
200RB/500RB 6	6.53	10.40	14.69	22.44	30.19	38.55
250RA 8	8.57	13.87	19.58	31.82	42.43	52.22
250RA 9T5	14.69	23.25	33.04	50.99	67.72	83.22
250RA 9	18.77	29.37	41.61	62.83	81.59	94.24
250RA 12	20.81	32.64	46.10	73.84	95.46	108.52
250RA 16	33.86	53.85	76.29	116.68	154.21	186.15
250RA 20	47.73	75.06	106.48	175.42	228.86	269.25

PRESSURE DROP ACROSS VALVE - PSI						
VALVE SERIES	2.0	5.0	10	25.0	50	100
	R-454C					
100RB	0.17	0.27	0.38	0.57	0.76	0.91
150RB 1	0.17	0.27	0.38	0.57	0.76	0.91
150RB 3	0.39	0.61	0.85	1.29	1.70	2.05
150RB 7	0.56	0.88	1.23	1.87	2.46	2.96
150RB 9	1.08	1.70	2.37	3.59	4.73	5.69
200RB/500RB 2	0.39	0.61	0.85	1.29	1.70	2.05
200RB/500RB 3	0.56	0.88	1.23	1.87	2.46	2.96
200RB/500RB 4	1.08	1.70	2.37	3.59	4.73	5.69
200RB/500RB 5	1.30	2.04	2.84	4.31	5.68	6.83
200RB/500RB 6	1.38	2.17	3.03	4.60	6.05	7.29
R-455A						
100RB	0.19	0.29	0.41	0.63	0.83	1.01
150RB 1	0.19	0.29	0.41	0.63	0.83	1.01
150RB 3	0.42	0.66	0.93	1.41	1.86	2.28
150RB 7	0.61	0.96	1.34	2.04	2.69	3.29
150RB 9	1.17	1.84	2.57	3.91	5.18	6.32
200RB/500RB 2	0.42	0.66	0.93	1.41	1.86	2.28
200RB/500RB 3	0.61	0.96	1.34	2.04	2.69	3.29
200RB/500RB 4	1.17	1.84	2.57	3.91	5.18	6.32
200RB/500RB 5	1.41	2.21	3.08	4.70	6.22	7.59
200RB/500RB 6	1.50	2.36	3.29	5.01	6.63	8.09
250RA/540RA 8	1.97	3.09	4.32	6.58	8.70	10.62
250RA/540RA 9T5 (5/8)	3.38	5.30	7.40	11.27	14.92	18.21
250RA/540RA 9 (7/8 & Up)	4.31	6.77	9.46	14.40	19.06	23.27
250RA/540RA 12	4.78	7.51	10.49	15.97	21.14	25.80
250RA/540RA 16	7.78	12.22	17.07	25.99	34.40	41.99
250RA/540RA 20	10.97	17.22	24.06	36.63	48.49	59.19

PRESSURE DROP ACROSS VALVE - kPa						
VALVE SERIES	13.8	34.5	69	172.5	345	690
	R-454C					
100RB	0.61	0.95	1.33	2.02	2.66	3.20
150RB 1	0.61	0.95	1.33	2.02	2.66	3.20
150RB 3	1.37	2.15	3.00	4.55	5.99	7.21
150RB 7	1.98	3.10	4.33	6.57	8.65	10.41
150RB 9	3.80	5.97	8.33	12.64	16.64	20.02
200RB/500RB 2	1.37	2.15	3.00	4.55	5.99	7.21
200RB/500RB 3	1.98	3.10	4.33	6.57	8.65	10.41
200RB/500RB 4	3.80	5.97	8.33	12.64	16.64	20.02
200RB/500RB 5	4.56	7.16	9.99	15.17	19.96	24.03
200RB/500RB 6	4.87	7.64	10.66	16.18	21.29	25.63
R-455A						
100RB	0.66	1.04	1.45	2.20	2.92	3.56
150RB 1	0.66	1.04	1.45	2.20	2.92	3.56
150RB 3	1.48	2.33	3.25	4.96	6.56	8.01
150RB 7	2.14	3.37	4.70	7.16	9.47	11.56
150RB 9	4.12	6.47	9.04	13.77	18.22	22.24
200RB/500RB 2	1.48	2.33	3.25	4.96	6.56	8.01
200RB/500RB 3	2.14	3.37	4.70	7.16	9.47	11.56
200RB/500RB 4	4.12	6.47	9.04	13.77	18.22	22.24
200RB/500RB 5	4.95	7.77	10.85	16.52	21.86	26.69
200RB/500RB 6	5.28	8.28	11.57	17.62	23.32	28.47
250RA/540RA 8	6.93	10.87	15.19	23.13	30.61	37.36
250RA/540RA 9T5 (5/8)	11.87	18.64	26.04	39.64	52.47	64.05
250RA/540RA 9 (7/8 & Up)	15.17	23.81	33.27	50.66	67.05	81.84
250RA/540RA 12	16.82	26.40	36.88	56.16	74.34	90.74
250RA/540RA 16	27.38	42.97	60.03	91.40	120.98	147.67
250RA/540RA 20	38.59	60.57	84.62	128.84	170.54	208.16

NOTE: Shading indicates AHRI standard ratings
 NOTE: Capacity is based on largest connection size.

DISCHARGE GAS CAPACITIES - TONS

DISCHARGE GAS CAPACITIES - kW

PRESSURE DROP ACROSS VALVE - PSI						
VALVE SERIES	2.0	5.0	10	25.0	50	100
	R-502					
100RB	0.20	0.20	0.30	0.50	0.70	0.80
150RB 1	0.20	0.20	0.30	0.50	0.70	0.80
150RB 3	0.40	0.60	0.85	1.35	1.75	2.00
150RB 7	0.55	0.85	1.20	1.80	2.35	2.80
150RB 9	1.00	1.60	2.25	3.25	4.40	5.75
200RB/500RB 2	0.40	0.60	0.85	1.35	1.75	2.00
200RB/500RB 3	0.55	0.85	1.20	1.80	2.35	2.80
200RB/500RB 4	1.00	1.60	2.25	3.25	4.40	5.75
200RB/500RB 5	1.20	1.95	2.75	3.95	5.45	7.30
200RB/500RB 6	1.30	2.05	2.90	4.40	6.00	7.70
200RB/500RB 7	1.70	2.70	3.80	6.20	8.30	10.40
240RA/250RA/540RA 8	1.70	2.70	3.80	6.20	8.30	10.40
240RA/250RA/540RA 9T5	2.90	4.50	6.40	10.00	13.30	16.50
240RA/250RA/540RA 9	3.60	5.70	8.10	12.30	16.10	18.80
240RA/250RA/540RA 12	4.00	6.40	9.00	14.40	18.70	21.70
240RA/250RA/540RA 16	6.60	10.50	14.80	22.80	30.20	37.00
240RA/250RA/540RA 20	9.30	14.60	20.70	34.30	45.00	53.70
R-513A/R-450A						
100RB	0.13	0.20	0.28	0.41	0.51	0.53
150RB 1	0.13	0.20	0.28	0.41	0.51	0.53
150RB 3	0.29	0.46	0.63	0.93	1.16	1.18
150RB 7	0.42	0.66	0.92	1.35	1.67	1.71
150RB 9	0.82	1.27	1.76	2.59	3.22	3.28
200RB/500RB 2	0.29	0.46	0.63	0.93	1.16	1.18
200RB/500RB 3	0.42	0.66	0.92	1.35	1.67	1.71
200RB/500RB 4	0.82	1.27	1.76	2.59	3.22	3.28
200RB/500RB 5	0.98	1.53	2.11	3.11	3.86	3.94
200RB/500RB 6	1.04	1.63	2.25	3.32	4.12	4.20
200RB/500RB 7	1.37	2.14	2.96	4.36	5.41	5.52
240RA/250RA/540RA 8	1.37	2.14	2.96	4.36	5.41	5.52
240RA/250RA/540RA 9T5	2.35	3.67	5.07	7.47	9.27	9.46
240RA/250RA/540RA 9	3.00	4.68	6.48	9.54	11.84	12.09
240RA/250RA/540RA 12	3.33	5.19	7.18	10.58	13.13	13.40
240RA/250RA/540RA 16	5.42	8.45	11.69	17.21	21.37	21.81
240RA/250RA/540RA 20	7.63	11.91	16.47	24.27	30.12	30.75

PRESSURE DROP ACROSS VALVE - kPa						
VALVE SERIES	13.8	34.5	69	172.5	345	690
	R-502					
100RB	0.70	0.70	1.06	1.76	2.46	2.81
150RB 1	0.70	0.70	1.06	1.76	2.46	2.81
150RB 3	1.41	2.11	2.99	4.75	6.15	7.03
150RB 7	1.93	2.99	4.22	6.33	8.26	9.85
150RB 9	3.52	5.63	7.91	11.43	15.47	20.22
200RB/500RB 2	1.41	2.11	2.99	4.75	6.15	7.03
200RB/500RB 3	1.93	2.99	4.22	6.33	8.26	9.85
200RB/500RB 4	3.52	5.63	7.91	11.43	15.47	20.22
200RB/500RB 5	4.22	6.86	9.67	13.89	19.17	25.67
200RB/500RB 6	4.57	7.21	10.20	15.47	21.10	27.08
200RB/500RB 7	5.98	9.50	13.36	21.80	29.19	36.58
240RA/250RA/540RA 8	5.98	9.50	13.36	21.80	29.19	36.58
240RA/250RA/540RA 9T5	10.20	15.83	22.51	35.17	46.77	58.03
240RA/250RA/540RA 9	12.66	20.05	28.49	43.26	56.62	66.12
240RA/250RA/540RA 12	14.07	22.51	31.65	50.64	65.77	76.32
240RA/250RA/540RA 16	23.21	36.93	52.05	80.19	106.21	130.13
240RA/250RA/540RA 20	32.71	51.35	72.80	120.63	158.26	188.86
R-513A/R-450A						
100RB	0.46	0.72	0.99	1.46	1.81	1.85
150RB 1	0.46	0.72	0.99	1.46	1.81	1.85
150RB 3	1.03	1.61	2.23	3.28	4.07	4.16
150RB 7	1.49	2.33	3.22	4.74	5.89	6.01
150RB 9	2.87	4.48	6.19	9.12	11.32	11.55
200RB/500RB 2	1.03	1.61	2.23	3.28	4.07	4.16
200RB/500RB 3	1.49	2.33	3.22	4.74	5.89	6.01
200RB/500RB 4	2.87	4.48	6.19	9.12	11.32	11.55
200RB/500RB 5	3.44	5.37	7.43	10.94	13.58	13.86
200RB/500RB 6	3.67	5.73	7.92	11.67	14.49	14.79
200RB/500RB 7	4.82	7.52	10.40	15.32	19.02	19.41
240RA/250RA/540RA 8	4.82	7.52	10.40	15.32	19.02	19.41
240RA/250RA/540RA 9T5	8.26	12.89	17.82	26.26	32.60	33.27
240RA/250RA/540RA 9	10.56	16.47	22.78	33.55	41.65	42.51
240RA/250RA/540RA 12	11.70	18.26	25.25	37.20	46.18	47.13
240RA/250RA/540RA 16	19.05	29.72	41.09	60.54	75.16	76.71
240RA/250RA/540RA 20	26.85	41.89	57.93	85.34	105.94	108.13

PRESSURE DROP ACROSS VALVE - PSI					
VALVE SERIES	2	5	10	25	50
R-744					
100RB	0.36	0.56	0.79	1.22	1.66
150RB 1	0.36	0.56	0.79	1.22	1.66
150RB 3	0.80	1.26	1.77	2.74	3.73
150RB 7	1.16	1.83	2.57	3.98	5.43
150RB 9	2.18	3.43	4.82	7.46	10.18
200RB/500RB 2	0.80	1.26	1.77	2.74	3.73
200RB/500RB 3	1.16	1.83	2.57	3.98	5.43
200RB/500RB 4	2.18	3.43	4.82	7.46	10.18
200RB/500RB 5	2.69	4.23	5.95	9.21	12.6
200RB/500RB 6	2.91	4.58	6.43	9.95	13.6
200RB/500RB 7	3.34	5.26	7.39	11.4	15.6

PRESSURE DROP ACROSS VALVE - kPa					
VALVE SERIES	13.8	34.5	69	172.5	345
R-744					
100RB	1.25	1.97	2.77	4.28	5.83
150RB 1	1.25	1.97	2.77	4.28	5.83
150RB 3	2.81	4.43	6.22	9.63	13.13
150RB 7	4.09	6.44	9.04	14.00	19.10
150RB 9	7.67	12.07	16.95	26.25	35.82
200RB/500RB 2	2.81	4.43	6.22	9.63	13.13
200RB/500RB 3	4.09	6.44	9.04	14.00	19.10
200RB/500RB 4	7.67	12.07	16.95	26.25	35.82
200RB/500RB 5	9.45	14.89	20.91	32.38	44.18
200RB/500RB 6	10.22	16.09	22.60	35.00	47.76
200RB/500RB 7	11.75	18.51	25.99	40.25	54.92

NOTE: Shading indicates AHRI standard ratings
 NOTE: Capacity is based on largest connection size.

INDUSTRIAL SOLENOID VALVES

Industrial Solenoid Valves are for use with air, water, and steam as well as the following list of secondary loop fluids.

FLUID	MANUFACTURER
ETHYLENE & PROPYLENE GLYCOL	VARIOUS
TYFOXIT	SPAUSCHUS ASSOCIATES (DISTRIBUTOR)
SILTHERM XLT	DOW
HFE	3M
DOWFROST	DOW
PEKASOL	—
DYNALENE	DYNALENE

MODEL NUMBER NOMENCLATURE - Example: 202CB 1/8B5/32VVLC

VALVE TYPE	PRODUCT GROUP	VALVE TYPE	DESIGN SERIES	CONNECTION TYPE	BODY MATERIAL	PORT SIZE	ELASTOMER CODE	*COIL	SEQUENTIAL IDENTIFIER	CUSTOMER SPECIAL	PACK TYPE
2 3	02	C	B	1/8"	B	1/2"	B	VLC			
2 = 2 Way 3 = 3 Way	Two Digit Product Group	C = Normally Closed O = Normally Open U = Universal (3-Way)		1/8" to 2" NPT Female	B = Brass S = Stainless Steel T = Stainless Steel with Silver Shading Band	3/64" thru 2"	B = Buna-N P = Ethylene Propylene T = PFTE w/Ethylene Propylene Gaskets V = Viton w/Ethylene Propylene Gasket	VLC = Valve Less Coil For Valves with Coil See Coil Nomenclature on Coil Catalog Page	Blank thru -99	G = Customer Special (Omit for Standard)	B1 = Bulk Pack (Omit for Individual Pack)

* Valves in catalog are shipped without solenoid coils (VLC = Valve Less Coil). See coil pages for coil selection and a complete list of voltage options.



202CB 1/8B1/8BVLC

202CB SERIES INDUSTRIAL SOLENOID VALVES

The 202CB is a direct-acting 2-way, normally closed valve for control of air, water, and steam applications.

FEATURES

- Superior life with stainless steel enclosing tube
- Repair kits available
- Brass or stainless steel bodies

SPECIFICATIONS

Watts	12 AC, 15 DC
Va Inrush	28
Va Holding	19
Maximum Working Pressure.....	500 psi (35 bar), 1000 psi (69 bar) 3/64" orifice only
Weight	1 lb
UL/CUL file number	MP604

202CB SERIES INDUSTRIAL SOLENOID VALVES

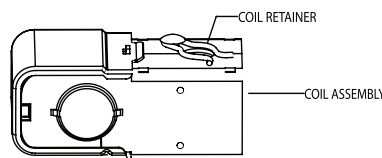
DESCRIPTION	PORT SIZE (IN)	CONN. SIZE	MOPD ² AC	MOPD ² DC	CV	MAX. AC FLUID TEMP. ¹	ELASTOMER	SUGGESTED COIL	MODEL NUMBER	ITEM NUMBER
Brass General Purpose	1/8"	1/8"	150	75	0.34	180°F	BUNA-N	AMG	202CB 1/8B1/8BVLC	030113
Brass General Purpose	5/32"	1/8"	100	40	0.48	180°F	BUNA-N	AMG	202CB 1/8B5/32BVLC	030114
Brass Steam	1/8"	1/8"	150	—	0.34	400°F	Ethylene Propylene	AHG	202CB 1/8B1/8PVLC	030118
Brass Steam	1/8"	1/8"	150	—	0.34	400°F	PTFE w/Ethylene Propylene Gaskets	AHG	202CB 1/8B1/8TVLC	030123
Brass Steam	5/32"	1/8"	100	—	0.48	400°F	Viton w/ Ethylene Propylene Gaskets	AHG	202CB 1/8B5/32VVLC	056954
Stainless Steel General Purpose	1/16"	1/8"	500	500	0.12	180°F	BUNA-N	AMG	202CB 1/8S1/16BVLC	064756

¹ With an ambient temperature of 77°F

² Maximum Operating Pressure Differential

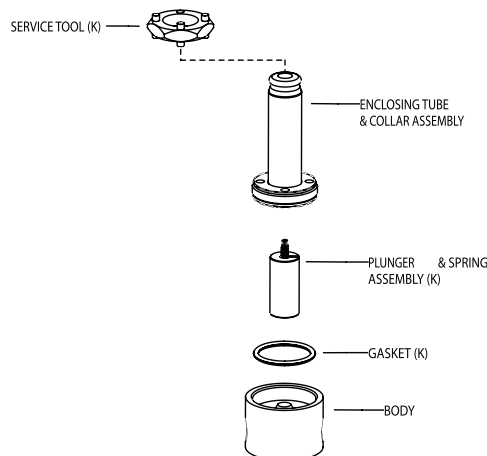
VLC - See coil assemblies for availability

EXPLODED VIEW & PARTS KIT DATA



VALVE REPAIR KIT

(K) indicates part is supplied in valve repair kit.



202CB COMPLETE VALVE REPAIR KITS

SEAT MATERIAL	MODEL NUMBER	ITEM NUMBER
Rulon	K-1068	032396
Ethylene Propylene	K-1064	021104



203CA 3/8B3/8BVLC

203CA SERIES INDUSTRIAL SOLENOID VALVES

The 203CA is a direct-acting, 2-way normally closed valve for air, water and steam applications.

FEATURES

- Superior life with stainless steel enclosing tube
- Forged brass body with large wrench flats
- Repair kits available
- 3/8" NPT Solenoid Valve

SPECIFICATIONS

Watts: 12 AC
 VA Inrush: 37 for 5/32 & 1/8 orifices, 47 for 1/4 + orifices
 VA Holding: 19
 Maximum working pressure: 500 psi (35 bar)
 Weight: 1 lb. 4 oz.
 UL/CUL file number: MP604

203CA SERIES INDUSTRIAL SOLENOID VALVES

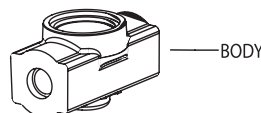
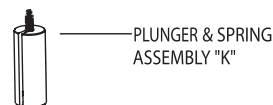
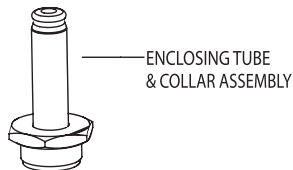
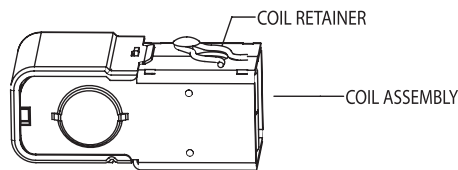
DESCRIPTION	PORT SIZE (IN)	CONNECTION SIZE	MOPD ² AC	CV	MAX. AC FLUID TEMP. ¹	ELASTOMER	SUGGESTED COIL	MODEL NUMBER	ITEM NUMBER
Brass General Purpose	3/8	3/8"	10	1.7	180°F	Buna-N	AMG	203CA 3/8B3/8BVLC	030605

¹ With an ambient temperature of 77°F

² Maximum Operating Pressure Differential

VLC - See coil assemblies for availability

EXPLODED VIEW & PARTS KIT DATA



VALVE REPAIR KIT

(K) indicates part is supplied in valve repair kit.

203CA COMPLETE VALVE REPAIR KITS

SEAT MATERIAL	MODEL NUMBER	ITEM NUMBER
Ethylene Propylene*	K-1106	040598

* May also be used for Buna-n



204CD 1/4S1/8BVLC

204CD SERIES INDUSTRIAL SOLENOID VALVES

The 204CD is a 2-way direct-acting unidirectional, normally closed valve for air, water and steam applications.

FEATURES

- Superior life with stainless steel enclosing tube
- Repair kits available
- Brass or stainless steel bodies
- 1/4" NPT Solenoid Valve

SPECIFICATIONS

Watts	12 AC, 15 DC
VA Inrush	31
VA Holding	19
Maximum working pressure	500 psi (35 bar)
Weight	1 lb. 3 oz.
UL/CUL file number	MP604

204CD SERIES INDUSTRIAL SOLENOID VALVES

DESCRIPTION	PORT SIZE (IN)	CONN. SIZE	MOPD ² AC	MOPD ² DC	CV	MAX. AC FLUID TEMP. ¹	ELASTOMER	SUGGESTED COIL ³	MODEL NUMBER	ITEM NUMBER
Brass General Purpose	3/32	1/4"	300	125	0.22	180°F	BUNA-N	AMG	204CD 1/4B3/32BVLC	030733
Brass General Purpose	1/8	1/4"	150	75	0.34	180°F	BUNA-N	AMG	204CD 1/4B1/8BVLC	056110
Brass General Purpose	5/32	1/4"	100	40	0.48	180°F	BUNA-N	AMG	204CD 1/4B5/32BVLC	030735
Brass General Purpose	1/4	1/4"	20	10	0.70	180°F	BUNA-N	AMG	204CD 1/4B1/4BVLC	030737
Brass Steam	5/32	1/4"	100	—	0.48	400°F	E.P. Seat	AMG 120V, 50/60	204CD 1/4B5/32PAMG2	064682
Stainless Steel General Purpose	3/32	1/4"	300	125	0.22	180°F	BUNA-N	AMG	204CD 1/4S3/32BVLC	030870
Stainless Steel General Purpose	1/8	1/4"	150	75	0.34	180°F	BUNA-N	AMG	204CD 1/4S1/8BVLC	030871
Stainless Steel Steam	3/64	1/4"	150	—	0.05	400°F	PTFE w/Ethylene Propylene Gaskets	AHG	204CD 1/4S3/64TVLC	030883
Stainless Steel Steam	1/8	1/4"	150	—	0.34	400°F	PTFE w/Ethylene Propylene Gaskets	AHG	204CD 1/4S1/8TVLC	030886
Stainless Steel Steam	5/32	1/4"	100	—	0.48	400°F	E.P. Seat	AMF 120V, 50/60	204CD 1/4S5/32PAMF2	053492

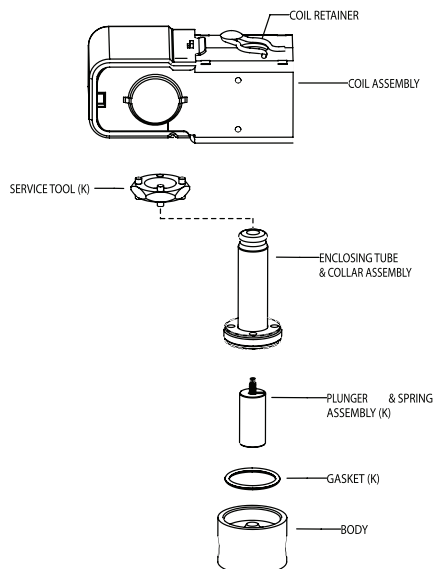
¹ With an ambient temperature of 77°F

² Maximum Operating Pressure Differential

³ Coil is included with valve if voltage is listed

VLC - See coil assemblies for availability

EXPLODED VIEW & PARTS KIT DATA



VALVE REPAIR KIT

(K) indicates part is supplied in valve repair kit.

204CD COMPLETE VALVE REPAIR KITS

SEAT MATERIAL	MODEL NUMBER	ITEM NUMBER
Buna-N	K-1072	021105
Buna-N (1/4 orifice only)	K-1162	039145
Viton	K-1074	021106
Rulon	K-1077	021107
Ethylene Propylene	K-1076	032154

210CA / 211CA SERIES INDUSTRIAL SOLENOID VALVES



3/8", 1/2", 3/4"



1" ONLY

The 210CA/211CA is a 2-way normally closed valve used in air, water and steam applications. The 210CA valve is pilot-operated and the 211CA valve is direct-acting.

FEATURES

- Unique captive diaphragm and seal
- Superior life with stainless steel enclosing tube
- Repair kits available

SPECIFICATIONS

Watts	12 AC
VA Inrush.....	31
VA Holding	19
Maximum Working Pressure.....	300 psi (21 bar), 250 psi (17 bar) on 1" 210C only
Weight	1 lbs. 3 oz.
Diaphragm Operated Solenoid Valve Pressure	210CA - from 5 to 150 psi (0.34 to 10 bar)
.....	3/8" to 1" NPT, 211CA - from 0 to 100 psi (0 to 7 bar) 3/8" to 3/4" NPT
UL/CUL file number	MP604

210CA SERIES INDUSTRIAL SOLENOID VALVES

DESCRIPTION	PORT SIZE (IN)	CONN. SIZE	MOPD AC	CV	MAX. AC FLUID TEMP. ¹	ELASTOMER	SUGGESTED COIL	MODEL NUMBER	ITEM NUMBER
Brass General Purpose	5/8	1/2"	150	3.6	180°F	BUNA-N	AMG	210CA 1/2B5/8BVLC	030620
Brass General Purpose	5/8	3/8"	150	2.8	180°F	BUNA-N	AMG	210CA 3/8B5/8BVLC	030619
Brass General Purpose	3/4"	3/4"	125	5.5	180°F	BUNA-N	AMG	210CA 3/4B3/4BVLC	030621
Brass General Purpose	1	1"	125	13	180°F	BUNA-N	AMG	210CA 1B1BVLC	038629
Brass-Hot Water (210°F) or Steam (To 250°)	5/8	1/2"	100 ² , 15 ³	3.6	250°F	ETHYLENE PROPYLENE	AMG	210CA 1/2B5/8PVLC	030623
Brass-Hot Water (210°F) or Steam (To 250°)	3/4	3/4"	100 ² , 15 ³	5.5	250°F	ETHYLENE PROPYLENE	AMG	210CA 3/4B3/4PVLC	030624

- 1 With an ambient temperature of 77°F
 - 2 MOPD-Hot Water
 - 3 MOPD-Steam
- VLC -See coil assemblies for availability

211CA SERIES INDUSTRIAL SOLENOID VALVES

DESCRIPTION	PORT SIZE (IN)	CONN. SIZE	MOPD AC	CV	MAX. AC FLUID TEMP. ¹	ELASTOMER	SUGGESTED COIL	MODEL NUMBER	ITEM NUMBER
Brass General Purpose	5/8	3/8"	100	2.8	180°F	BUNA-N	AMG	211CA 3/8B5/8BVLC	030625
Brass General Purpose	5/8	1/2"	100	3.6	180°F	BUNA-N	AMG	211CA 1/2B5/8BVLC	030626
Brass General Purpose	3/4	3/4"	100	5.5	180°F	BUNA-N	AMG	211CA 3/4B3/4BVLC	030627
Brass-Hot Water (210°F) or Steam (TO 250°)	5/8	3/8"	100 ² , 15 ³	2.8	250°F	ETHYLENE PROPYLENE	AMG	211CA 3/8B5/8PVLC	032303
Brass-Hot Water (210°F) or Steam (TO 250°)	5/8	1/2"	100 ² , 15 ³	3.6	250°F	ETHYLENE PROPYLENE	AMG	211CA 1/2B5/8PVLC	032304
Brass-Hot Water (210°F) or Steam (TO 250°)	3/4	3/4"	100 ² , 15 ³	5.5	250°F	ETHYLENE PROPYLENE	AMG	211CA 3/4B3/4PVLC	032305

- 1 With an ambient temperature of 77°F
 - 2 MOPD-Hot Water
 - 3 MOPD-Steam
- VLC -See coil assemblies for availability

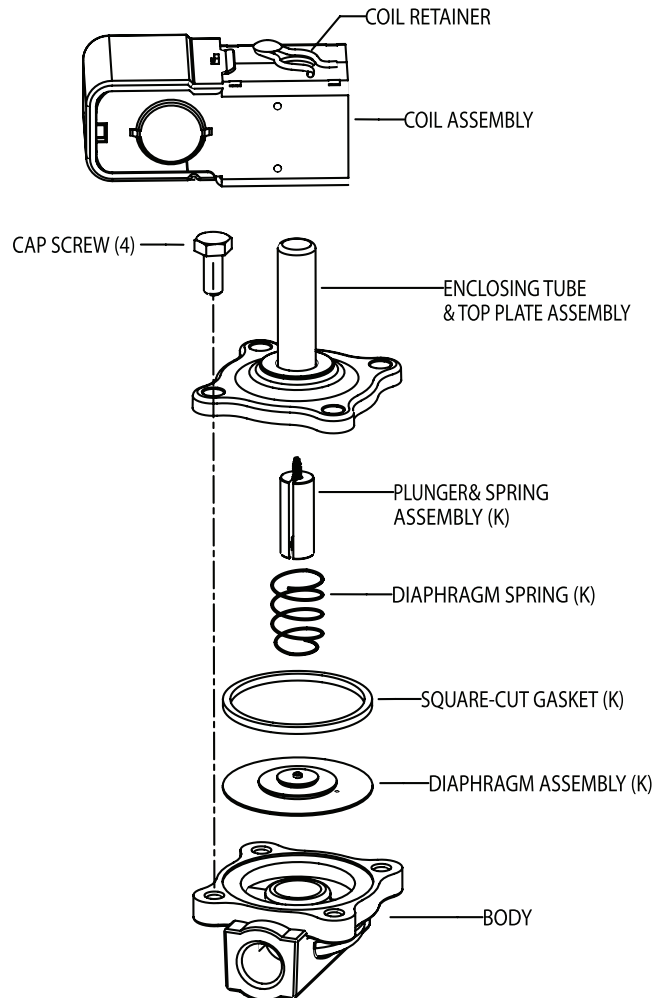
EXPLODED VIEW & PARTS KIT DATA

210CA COMPLETE VALVE REPAIR KITS

SEAT MATERIAL	CONNECTION SIZE (IN)	MODEL NUMBER	ITEM NUMBER
BUNA-N	3/8 & 1/2	K-1155	028964
ETHYLENE PROPYLENE	3/8 & 1/2	K-1156	029856
BUNA-N	1	K-1177	038934
BUNA-N	3/4	K-1231	045072
ETHYLENE PROPYLENE	3/4	K-1232	045083

211CA COMPLETE VALVE REPAIR KITS

SEAT MATERIAL	MODEL NUMBER	ITEM NUMBER
BUNA-N	K-1157	034357
ETHYLENE PROPYLENE	K-1158	039879



VALVE REPAIR KIT

(K) indicates part is supplied in valve repair kit.

214CB SERIES INDUSTRIAL SOLENOID VALVES

The 214CB is a 2-way normally closed valve for air, water, and steam applications.



214CB 3/8B3/8BVLC

FEATURES

- Superior life with stainless steel enclosing tube
- Forged brass body with large wrench flats
- PTFE O-ring for superior external leakage
- Repair kits available

SPECIFICATIONS

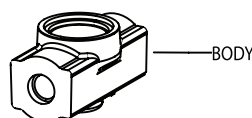
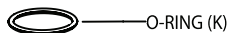
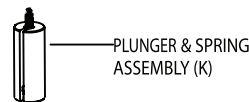
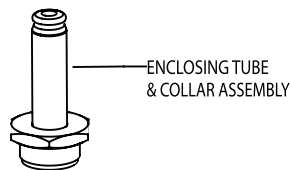
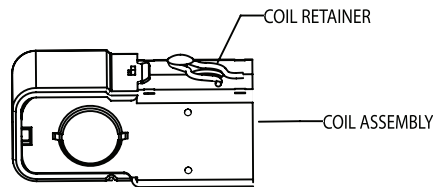
Watts	12 @ 60Hz
VA Inrush.....	44
VA Holding	22
Maximum Working Pressure.....	350 psi (24 bar)
Weight	1 lbs. 4 oz.
Pilot Operated Pressure	2 to 200 psi (0.15 to 14 bar)
UL/CUL file number	MP604

214CB SERIES INDUSTRIAL SOLENOID VALVES

DESCRIPTION	PORT SIZE (IN)	CONNECTION SIZE	MOPD ² AC	CV	MAX. AC FLUID TEMP. ¹	ELASTOMER	SUGGESTED COIL	MODEL NUMBER	ITEM NUMBER
Brass General Purpose	1/4	1/4"	200	1.2	180°F	BUNA-N	AMG	214CB 1/4B1/4BVLC	030540
Brass General Purpose	3/8	3/8"	200	2.2	180°F	BUNA-N	AMG	214CB 3/8B3/8BVLC	030545

1 With an ambient temperature of 77°F
 2 Maximum Operating Pressure Differential
 VLC - See coil assemblies for availability

EXPLODED VIEW & PARTS KIT DATA



VALVE REPAIR KIT

(K) indicates part is supplied in valve repair kit.

214CB COMPLETE VALVE REPAIR KITS

SEAT MATERIAL	MODEL NUMBER	ITEM NUMBER
Buna-N	K-1112	035074
Ethylene Propylene	K-1113	041334



222CB 1-1/4B1-1/4BVLC

222CB SERIES INDUSTRIAL SOLENOID VALVES

The 222CB is a 2-way normally closed valve for air, water, and steam applications.

FEATURES

- Forged brass body with large wrench flats
- Repair kits available

SPECIFICATIONS

Seat MaterialRulon
 Watts 12 @ 60Hz
 VA Inrush..... 38
 VA Holding 19
 Maximum Working Pressure..... 300 psi (21 bar)
 Minimum Operating Pressure..... 5 psi (0.34 bar)
 UL/CUL file number MP604

222CB SERIES INDUSTRIAL SOLENOID VALVES

DESCRIPTION	PORT SIZE (IN)	CONN. SIZE	MOPD ² AC	CV	MAX. AC FLUID TEMP. ¹	ELASTOMER	SUGGESTED COIL	MODEL NUMBER	ITEM NUMBER
Brass General Purpose	1/2	1/2"	250	3.5	180°F	BUNA-N	AMG	222CB 1/2B1/2BVLC	039917
Brass General Purpose	3/4	3/4"	250	7.0	180°F	BUNA-N	AMG	222CB 3/4B3/4BVLC	028192
Brass General Purpose	1	1"	250	13.0	180°F	BUNA-N	AMG	222CB 1B1BVLC	039931
Brass General Purpose	1-1/4	1-1/4"	250	16.0	180°F	BUNA-N	AMG	222CB 1-1/4B1-1/4BVLC	039918
Brass General Purpose	1-1/2	1-1/2"	250	25.0	180°F	BUNA-N	AMG	222CB 1-1/2B1-1/2BVLC	038879
Brass Steam	1/2	1/2"	150	3.5	400°F	Rulon with Ethylene Propylene Gaskets	AHG	222CB 1/2B1/2TVLC	037958
Brass Steam	3/4	3/4"	150	7.0	400°F	Rulon with Ethylene Propylene Gaskets	AHG	222CB 3/4B3/4TVLC	039930
Brass Steam	1	1"	250	13.0	180°F	BUNA-N	AHG	222CB 1B1TVLC	039834
Brass Steam	1-1/4	1-1/4"	150	16.0	400°F	Rulon with Ethylene Propylene Gaskets	AHG	222CB 1-1/4B1-1/4TVLC	040532
Brass Steam	1-1/2	1-1/2"	150	25.0	400°F	Rulon with Ethylene Propylene Gaskets	AHG	222CB 1-1/2B1-1/2TVLC	040582

1 With an ambient temperature of 77°F
 2 Maximum Operating Pressure Differential
 VLC - See coil assemblies for availability

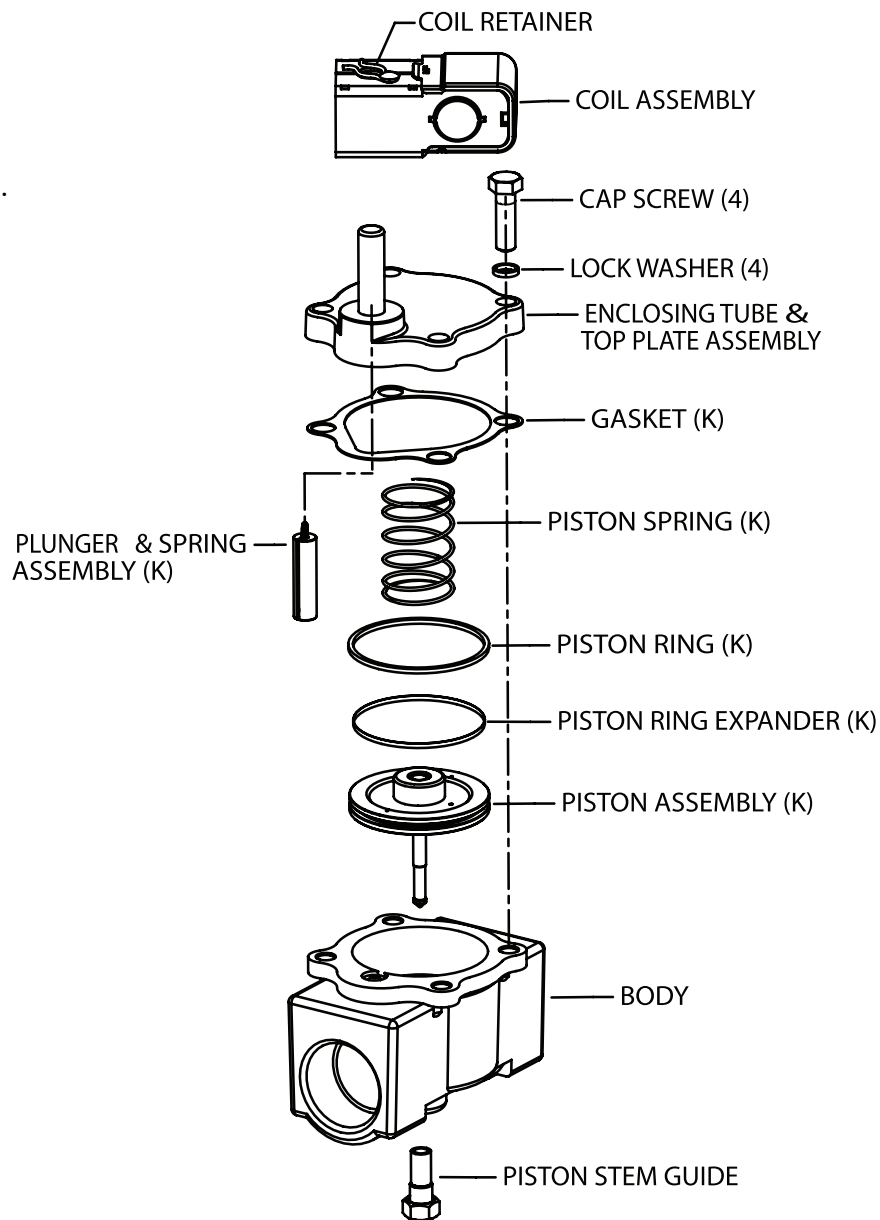
EXPLODED VIEW & PARTS KIT DATA

222CB COMPLETE VALVE REPAIR KITS

SEAT MATERIAL	BODY SIZE									
	3/8" & 1/2"		3/4"		1"		1-1/4"		1-1/2"	
	MODEL NUMBER	ITEM NUMBER	MODEL NUMBER	ITEM NUMBER	MODEL NUMBER	ITEM NUMBER	MODEL NUMBER	ITEM NUMBER	MODEL NUMBER	ITEM NUMBER
Buna-N	K-1116	030765	K-1120	037558	K-1124	028955	K-1128	031349	K-1132	028956
Rulon	K-1118	029235	K-1122	021109	K-1126	034178	K-1130	034047		

VALVE REPAIR KIT

(K) indicates part is supplied in valve repair kit.



FILTER DRIER QUICK SELECTION GUIDE

HERMETIC LIQUID LINE FILTER DRIERS

SERIES	DESCRIPTION	APPLICATION	CONSTRUCTION	TONNAGES (R-410A)
EK	Premium Universal	Uni-Flow	Compacted Bead	1 to 34 tons
BSL	Builder Series (Residential)	Uni-Flow	Compacted Bead	1 to 8 tons
ADK	Standard Filter Drier	Uni-Flow	Solid Core	1 to 34 tons
BFK	Premium Heat Pump	Bi-Flow	Solid Core	1 to 26 tons
BSB	Builder Series (Residential Heat Pump)	Bi-Flow	Solid Core	3 to 5 tons
BOK	Burnout for AB or Mineral Oil	Uni-Flow	Solid Core	2 to 18 tons
CU	Copper Spun Residential	Uni-Flow	Solid Core	3 to 6 tons
ALF	Filter Only	Recovery Machines	—	Up to 8 tons

HERMETIC SUCTION LINE FILTER DRIERS

SERIES	DESCRIPTION	APPLICATION	CONSTRUCTION	TONNAGES (R-410A)
ASD	Premium Universal	Uni-Flow	Beaded	2 to 21 tons
SFD	Smaller Lay-in	Uni-Flow	Beaded	4 to 8 tons
CSFD	Compact "Pancake Style"	Uni-Flow	Solid Core	2 to 9 tons
ASK	Burnout (contains Activated Carbon)	Uni-Flow	Solid Core	4 to 8 tons
BSS	Builder Series (Residential)	Uni-Flow	Solid Core	3 to 6 tons
ASF	Filter Only	Uni-Flow	—	5 to 35 tons

TAKE-APART FILTER DRIERS

SERIES	DESCRIPTION	APPLICATION	CORE / CARTRIDGE	TONNAGES (R-410A)
STAS	Steel Shell, Steel Internals	Liquid or Suction	48 Cu. In. Cores	22 to 123 tons
ADKS	Steel Shell, Plastic Internals	Liquid or Suction	100 Cu. In. Cores	110 to 180 tons (<500 psig)
BTAS	Brass Shell	Suction	Cartridges	1 to 8 tons (R-404a)



EK 083S

EK SERIES HERMETIC LIQUID LINE FILTER DRIERS

The EK is a premium compacted bead liquid line filter designed for maximum filtration in both air conditioning and refrigeration applications.

FEATURES

- 99.9% filtration efficiency with minimal pressure drop
- Retains contaminants during system cycling and vibration
- Filtration first for more effective use of surface area of desiccant
- High moisture and acid removal capacity
- Specially formulated blend to protect POE oils
- Shock resistant steel shell construction
- Solid copper connections

SPECIFICATIONS

Desiccant Blend optimized for high water and acid capacity
 Filtration 20 microns
 Maximum Working Pressure..... 680 psig (47 bar)
 UL/CUL File Number SA3124
 Canadian CRN 0E21971.513467890YTN

MODEL NUMBER NOMENCLATURE - Example: EK 083SVV

SERIES	UNIT SIZE	CONNECTION SIZE	CONNECTION STYLE	ACCESS TYPE	SEQUENTIAL IDENTIFIER	CUSTOMER SPECIAL	PACK TYPE
EK	08	3	S	VV			
Hermetic Liquid Line Filter Driers	In Cubic In.	In 1/8" Increments	S = ODF FM = SAE Female X SAE Male SVCAP = ODF X Cap. Tube with Access Valve MF = SAE Male X SAE Female (Omit for SAE)	V = Single Access Valve VV = Dual Access Valve VCAP = Single Access Valve with Cap Tube Outlet Connection	Blank Thru -99	G = Customer Special (Omit for Standard)	B1 = Bulk Pack (Omit for Individual Pack)

EK SERIES LIQUID LINE FILTER DRIERS

UNIT SIZE (CUBIC INCHES)	INLET X OUTLET CONNECTION SIZE	ACCESS TYPE	MODEL NUMBER	ITEM NUMBER
3	1/4" X 1/4" SAE Flare	None	EK 032	060009
3	1/4" Female X 1/4" Male SAE Flare	None	EK 032FM	060011
3	1/4" Male X 1/4" Female SAE Flare	None	EK 032MF	060010
3	1/4" X 1/4" ODF	None	EK 032S	060012
3	1/4" ODF X Cap Tube	Single	EK 032SVCAP	063208
3	1/4" X 1/4" ODF	Dual	EK 032SVV	063908
3	3/8" X 3/8" SAE Flare	None	EK 033	060013
3	3/8" X 3/8" ODF	None	EK 033S	060014
5	1/4" X 1/4" SAE Flare	None	EK 052	047601
5	1/4" Male X 1/4" Female SAE Flare	None	EK 052MF	057013
5	1/4" X 1/4" ODF	None	EK 052S	047602
5	1/4" ODF X Cap Tube	Single	EK 052SVCAP	065846
5	1/4" X 1/4" ODF	Dual	EK 052SVV	065966
5	3/8" X 3/8" SAE Flare	None	EK 053	047603
5	3/8" X 3/8" ODF	None	EK 053S	047604
5	3/8" X 3/8" ODF	Dual	EK 053SVV	065963
8	1/4" X 1/4" SAE Flare	None	EK 082	047605
8	5/16" X 5/16" ODF	None	EK 0825S	049551
8	1/4" X 1/4" ODF	None	EK 082S	047606
8	3/8" X 3/8" SAE Flare	None	EK 083	047607
8	3/8" Male X 3/8" Female SAE Flare	None	EK 083MF	056906

EK SERIES LIQUID LINE FILTER DRIERS (CONTINUED)

UNIT SIZE (CUBIC INCHES)	INLET X OUTLET CONNECTION SIZE	ACCESS TYPE	MODEL NUMBER	ITEM NUMBER
8	3/8" X 3/8" ODF	None	EK 083S	047608
8	3/8" X 3/8" ODF	Dual	EK 083SVV	065964
8	1/2" X 1/2" SAE Flare	None	EK 084	047609
8	1/2" X 1/2" ODF	None	EK 084S	047610
16	1/4" X 1/4" SAE Flare	None	EK 162	047611
16	5/16" X 5/16 ODF	None	EK 1625S	056045
16	1/4" X 1/4" ODF	None	EK 162S	047612
16	3/8" X 3/8" SAE Flare	None	EK 163	047613
16	3/8" X 3/8" ODF	None	EK 163S	047614
16	3/8" X 3/8" ODF	Dual	EK 163SVV	065965
16	1/2" X 1/2" SAE Flare	None	EK 164	047615
16	1/2" X 1/2" ODF	None	EK 164S	047616
16	5/8" X 5/8" SAE Flare	None	EK 165	047617
16	5/8" X 5/8" ODF	None	EK 165S	047618
16	7/8" X 7/8" ODF	None	EK 167S	047619
30	3/8" X 3/8" SAE Flare	None	EK 303	048210
30	3/8" X 3/8" ODF	None	EK 303S	048211
30	1/2" X 1/2" SAE Flare	None	EK 304	048212
30	1/2" X 1/2" ODF	None	EK 304S	048213
30	5/8" X 5/8" SAE Flare	None	EK 305	048214
30	5/8" X 5/8" ODF	None	EK 305S	048215
30	3/4" X 3/4" SAE Flare	None	EK 306	048668
30	3/4" X 3/4" ODF	None	EK 306S	048216
30	7/8" X 7/8" ODF	None	EK 307S	048217
30	1-1/8" X 1-1/8" ODF	None	EK 309S	048218
41	3/8" X 3/8" SAE Flare	None	EK 413	048219
41	1/2" X 1/2" SAE Flare	None	EK 414	048220
41	1/2" X 1/2" ODF	None	EK 414S	048221
41	5/8" X 5/8" SAE Flare	None	EK 415	048222
41	5/8" X 5/8" ODF	None	EK 415S	048223
41	7/8" X 7/8" ODF	None	EK 417S	048224
41	1-1/8" X 1-1/8" ODF	None	EK 419S	048225
75	7/8" X 7/8" ODF	None	EK 757S	048228
75	1-1/8" X 1-1/8" ODF	None	EK 759S	048229

EK SERIES CAPACITY TABLE

MODEL NUMBER	ITEM NUMBER	FLOW CAPACITY TONS @ 1 PSI ΔP 1.4 (FOR KW, MULTIPLY TONS BY 3.5)						WATER CAPACITY 2 DROPS OF WATER 3																	
								R-22		R-134a		R-290 / R-600		R-404A / R-507		R-407C		R-410A		R-450A / R-513A		R452A / R452C / R-448A / R-449A		R-744	
		R-22 / R-410A / R-448A / R-449A	R-134a / R-450A / R-513A	R-290	R-404A / R-507 / R-452A / R-452C	R-407C	R-744	75°F	125°F	75°F	125°F	75°F	125°F	75°F	125°F	75°F	125°F	75°F	125°F	75°F	125°F	14°F	75°F		
EK 032FM	060011	2.2	2.0	2.4	1.4	2.1	2.8	40	33	40	37	46	42	38	37	33	25	21	19	41	46	41	45	30	34
EK 032	060009	2.2	2.0	2.4	1.4	2.1	2.8	40	33	40	37	46	42	38	37	33	25	21	19	41	46	41	45	30	34
EK 032MF	060010	2.2	2.0	2.4	1.4	2.1	2.8	40	33	40	37	46	42	38	37	33	25	21	19	41	46	41	45	30	34
EK 032S	060012	2.9	2.7	3.2	2.0	2.9	3.7	40	33	40	37	46	42	38	37	33	25	21	19	41	46	41	45	30	34
EK 033	060013	3.3	3.0	3.6	2.2	3.2	4.3	40	33	40	37	46	42	38	37	33	25	21	19	41	46	41	45	30	34
EK 033S	060014	3.3	3.0	3.6	2.2	3.2	4.3	40	33	40	37	46	42	38	37	33	25	21	19	41	46	41	45	30	34
EK 052	047601	2.3	2.1	2.5	1.5	2.2	3.0	114	97	116	106	125	114	109	106	95	75	64	58	112	123	111	122	81	89
EK 052MF	057013	2.3	2.1	2.5	1.5	2.2	3.0	114	97	116	106	125	114	109	106	95	75	64	58	112	123	111	122	81	89
EK 052S	047602	3.4	3.1	3.7	2.2	3.3	4.6	114	97	116	106	125	114	109	106	95	75	64	58	112	123	111	122	81	89

EK SERIES CAPACITY TABLE (CONTINUED)

MODEL NUMBER	ITEM NUMBER	FLOW CAPACITY TONS @ 1 PSI ΔP ^{1,4} (FOR KW, MULTIPLY TONS BY 3.5)						WATER CAPACITY ² DROPS OF WATER ³																	
								R-22		R-134a		R-290 / R-600		R-404A / R-507		R-407C		R-410A		R-450A / R-513A		R452A / R452C / R-448A / R-449A		R-744	
		R-22 / R-410A / R-448A / R-449A	R-134a / R-450A / R-513A	R-290	R-404A / R-507 / R-452A / R-452C	R-407C	R-744	75°F	125°F	75°F	125°F	75°F	125°F	75°F	125°F	75°F	125°F	75°F	125°F	75°F	125°F	75°F	125°F	14°F	75°F
EK 053	047603	3.8	3.5	4.2	2.5	3.7	4.9	114	97	116	106	125	114	109	106	95	75	64	58	112	123	111	122	81	89
EK 053S	047604	4.8	4.4	5.3	3.2	4.7	6.2	114	97	116	106	125	114	109	106	95	75	64	58	112	123	111	122	81	89
EK 082	047605	2.5	2.3	2.8	1.7	2.4	3.2	235	200	237	218	257	234	224	217	195	155	159	118	231	254	228	251	163	180
EK 0825S	049551	3.8	3.5	4.2	2.5	3.7	4.9	235	200	237	218	257	234	224	217	195	155	159	118	231	254	228	251	163	180
EK 082S	047606	3.6	3.3	4.0	2.4	3.5	4.4	235	200	237	218	257	234	224	217	195	155	159	118	231	254	228	251	163	180
EK 083	047607	4.3	4.0	4.7	2.9	4.3	5.5	235	200	237	218	257	234	224	217	195	155	159	118	231	254	228	251	163	180
EK 083MF	056906	4.3	4.0	4.7	2.9	4.3	5.5	235	200	237	218	257	234	224	217	195	155	159	118	231	254	228	251	163	180
EK 083S	047608	4.9	4.5	5.4	3.3	4.8	6.3	235	200	237	218	257	234	224	217	195	155	159	118	231	254	228	251	163	180
EK 084	047609	7.3	6.7	8.0	4.9	7.1	9.4	235	200	237	218	257	234	224	217	195	155	159	118	231	254	228	251	163	180
EK 084S	047610	7.7	7.1	8.5	5.1	7.5	9.9	235	200	237	218	257	234	224	217	195	155	159	118	231	254	228	251	163	180
EK 162	047611	2.5	2.3	2.8	1.7	2.4	3.2	368	313	371	341	403	366	350	340	305	240	206	186	361	398	357	392	260	286
EK 1625S	056045	3.4	3.1	3.7	2.2	3.3	4.4	368	313	371	341	403	366	350	340	305	240	206	186	361	398	357	392	260	286
EK 162S	047612	3.4	3.1	3.7	2.2	3.3	4.4	368	313	371	341	403	366	350	340	305	240	206	186	361	398	357	392	260	286
EK 163	047613	4.2	3.9	4.6	2.8	4.1	5.4	368	313	371	341	403	366	350	340	305	240	206	186	361	398	357	392	260	286
EK 163S	047614	4.8	4.4	5.3	3.2	4.7	6.2	368	313	371	341	403	366	350	340	305	240	206	186	361	398	357	392	260	286
EK 164	047615	7.8	6.1	8.6	4.2	6.5	10.1	368	313	371	341	403	366	350	340	305	240	206	186	361	398	357	392	260	286
EK 164S	047616	9.2	8.5	10.1	6.2	9.0	11.9	368	313	371	341	403	366	350	340	305	240	206	186	361	398	357	392	260	286
EK 165	047617	10.5	9.7	11.6	7.0	10.3	13.5	368	313	371	341	403	366	350	340	305	240	206	186	361	398	357	392	260	286
EK 165S	047618	10.9	10.1	12.0	7.3	10.7	14.1	368	313	371	341	403	366	350	340	305	240	206	186	361	398	357	392	260	286
EK 167S	047619	16.8	15.5	18.5	11.2	16.5	21.7	368	313	371	341	403	366	350	340	305	240	206	186	361	398	357	392	260	286
EK 303	048210	4.7	4.3	5.2	3.1	4.6	6.1	657	561	664	611	—	—	627	608	548	434	515	355	648	713	640	703	458	504
EK 303S	048211	6.8	6.3	7.5	4.6	6.7	8.8	657	561	664	611	—	—	627	608	548	434	515	355	648	713	640	703	458	504
EK 304	048212	8.8	8.1	9.7	5.9	8.6	11.4	657	561	664	611	—	—	627	608	548	434	515	355	648	713	640	703	458	504
EK 304S	048213	10.8	10.0	11.9	7.2	10.6	13.9	657	561	664	611	—	—	627	608	548	434	515	355	648	713	640	703	458	504
EK 305	048214	11.5	10.6	12.7	7.7	11.3	14.8	657	561	664	611	—	—	627	608	548	434	515	355	648	713	640	703	458	504
EK 306S	048216	16.0	14.8	17.6	10.7	15.7	20.6	657	561	664	611	—	—	627	608	548	434	515	355	648	713	640	703	458	504
EK 307S	048217	18.2	16.8	20.0	12.2	17.9	23.5	657	561	664	611	—	—	627	608	548	434	515	355	648	713	640	703	458	504
EK 309S	048218	21.2	19.6	23.3	14.2	20.8	27.3	657	561	664	611	—	—	627	608	548	434	515	355	648	713	640	703	458	504
EK 413	048219	4.7	4.3	5.2	3.1	4.6	6.1	919	785	938	854	—	—	876	850	765	607	715	465	906	997	895	984	638	702
EK 414	048220	11.3	10.4	12.4	7.5	11.1	14.6	919	785	938	854	—	—	876	850	765	607	715	465	906	997	895	984	638	702
EK 414S	048221	11.7	10.8	12.9	7.8	11.5	15.1	919	785	938	854	—	—	876	850	765	607	715	465	906	997	895	984	638	702
EK 415	048222	13.0	12.0	14.3	8.7	12.8	16.8	919	785	938	854	—	—	876	850	765	607	715	465	906	997	895	984	638	702
EK 417S	048224	22.0	20.3	24.2	14.7	21.6	28.4	919	785	938	854	—	—	876	850	765	607	715	465	906	997	895	984	638	702
EK 419S	048225	30.0	27.7	33.0	20.1	29.4	38.7	919	785	938	854	—	—	876	850	765	607	715	465	906	997	895	984	638	702
EK 757S	048228	24.1	22.2	26.5	16.1	23.6	31.1	2159	1880	2159	2019	—	—	2019	2019	1810	1460	1460	1111	2170	2387	2142	2356	1578	1737
EK 759S	048229	35.4	32.7	38.9	23.7	34.8	45.7	2159	1880	2159	2019	—	—	2019	2019	1810	1460	1460	1111	2170	2387	2142	2356	1578	1737

¹ All ratings in accordance with ARI Standard 710-04. 86oF liquid refrigerant temperature
5°F saturated vapor temperature
3.1 lbs./min./ton for R-134a
2.9 lbs./min./ton for R-22 and R-407C
4.0 lbs./min./ton for R-404A/507 and R-12
2.7 lbs./min./ton for R-410A
⁵ Since there is currently no ARI standard for R-744, values are based on 1 ton of refrigeration at 20°F liquid refrigerant temperature and -20°F saturated vapor temperature.

² Water Capacities are based on:
Equilibrium Point Dryness (EPD) of:
50 parts per million for R-134a,
R404-A/507, R-410A, R-407C, and R-744
60 parts per million for R-22
15 parts per million for R-12

³ 20 drops of water = 1 gram = 1 cc
⁴ For 2 PSI ΔP, Multiply values by 1.4

LIQUID REFRIGERANT HOLDING CAPACITY-OUNCES

UNIT SIZE	R-12		R-134a		R-22		R-407C		R-410A		R-404A/R-507		R-502		R-744	
	75°F	125°F	75°F	125°F	75°F	125°F	75°F	125°F	75°F	125°F	75°F	125°F	75°F	125°F	20°F	-20°F
03	2.9	2.6	2.6	2.3	2.6	2.3	2.5	2.1	2.3	1.9	2.3	1.9	2.7	2.3	2.1	2.3
05	6.5	5.9	6.0	5.4	5.9	5.3	5.6	4.9	5.3	4.4	5.2	4.4	6.0	5.3	4.8	5.3
08	8.3	7.6	7.6	6.9	7.5	6.8	7.2	6.3	6.7	5.7	6.6	5.6	7.7	6.8	6.1	6.7
16	10.2	9.4	9.4	8.6	9.3	8.4	8.9	7.8	8.3	7.0	8.2	6.9	9.5	8.4	7.5	8.3
30	28.7	26.3	26.4	23.9	26.1	23.5	24.9	21.9	23.3	19.6	22.9	19.4	26.7	23.4	21.1	23.4
41	40.0	36.4	36.9	33.1	36.4	32.5	34.7	30.3	32.5	27.2	31.9	26.8	37.2	32.4	29.2	32.4
75	72.4	66.3	66.7	60.3	65.8	59.2	62.8	55.2	58.7	49.5	57.7	48.9	67.2	59.0	53.1	58.9



ADK 163S

ADK SERIES HERMETIC LIQUID LINE FILTER DRIERS

The ADK is a solid core liquid line filter drier good for use in residential air conditioning and refrigeration systems.

FEATURES

- Solid copper connections
- High moisture and acid removal capacity
- Corrosion resistant epoxy powder paint finish

SPECIFICATIONS

Desiccant blend..... Optimized for high water and acid capacity
 Filtration 40 microns
 Maximum working pressure 680 psig (47 bar)
 UL/CUL file numberSA 3124
 Canadian CRN0E21971.513467890YTN

MODEL NUMBER NOMENCLATURE - EXAMPLE: ADK 032SVCAP

SERIES	UNIT SIZE	CONNECTION SIZE	CONNECTION TYPE	ACCESS	SEQUENTIAL IDENTIFIER	CUSTOMER SPECIAL	PACK TYPE
ADK	03	2	S	VCAP			
Hermetic Core Style Liquid Line Filter Driers	In Cubic In.	In 1/8" Increments	S = Solder (ODF) (Omit for Flare (SAE))	V = Single Access Valve VCAP = Single Access Valve with Cap Tube Outlet (Omit for no access valve)	Blank Thru -99	G = Customer Special (Omit for Standard)	B1 = Bulk Pack (Omit for Individual Pack)

ADK SERIES REFRIGERANT FILTER DRIERS

UNIT SIZE (CUBIC INCHES)	INLET X OUTLET CONNECTION SIZE & TYPE	ACCESS TYPE	MODEL NUMBER	ITEM NUMBER
03	1/4" X 1/4" SAE	None	ADK 032	059874
03	1/4" X 1/4" ODF	None	ADK 032S	052451
03	1/4" ODF X Cap Tube	Single	ADK 032SVCAP	063909
03	3/8" X 3/8" SAE	None	ADK 033	023157
03	3/8" X 1/4" ODF	None	ADK 033/2S	063496
03	3/8" X 3/8" ODF	None	ADK 033S	053172
05	1/4" X 1/4" SAE	None	ADK 052	060125
05	1/4" X 1/4" ODF	None	ADK 052S	060126
05	3/8" X 3/8" SAE	None	ADK 053	060127
05	3/8" X 3/8" ODF	None	ADK 053S	060128
08	1/4" X 1/4" SAE	None	ADK 082	060129
08	1/4" X 1/4" ODF	None	ADK 082S	060130
08	3/8" X 3/8" SAE	None	ADK 083	060131
08	3/8" X 3/8" ODF	None	ADK 083S	060132
08	1/2" X 1/2" SAE	None	ADK 084	060133
08	1/2" X 1/2" ODF	None	ADK 084S	060134
16	1/4" X 1/4" SAE	None	ADK 162	059820
16	1/4" X 1/4" ODF	None	ADK 162S	059838
16	3/8" X 3/8" SAE	None	ADK 163	059839
16	3/8" X 3/8" ODF	None	ADK 163S	060795
16	1/2" X 1/2" SAE	None	ADK 164	059840
16	1/2" X 1/2" ODF	None	ADK 164S	059841
16	5/8" X 5/8" SAE	None	ADK 165	059842
16	5/8" X 5/8" ODF	None	ADK 165S	059843

ADK SERIES REFRIGERANT FILTER DRIERS (CONT'D)

UNIT SIZE (CUBIC INCHES)	INLET X OUTLET CONNECTION SIZE & TYPE	ACCESS TYPE	MODEL NUMBER	ITEM NUMBER
30	3/8" X 3/8" SAE	None	ADK 303	060172
30	3/8" X 3/8" ODF	None	ADK 303S	058507
30	1/2" X 1/2" SAE	None	ADK 304	060173
30	1/2" X 1/2" ODF	None	ADK 304S	060176
30	5/8" X 5/8" SAE	None	ADK 305	060174
30	5/8" X 5/8" ODF	None	ADK 305S	060177
30	7/8" X 7/8" ODF	None	ADK 307S	060178
30	1-1/8" X 1-1/8" ODF	None	ADK 309S	060179
41	3/8" X 3/8" SAE	None	ADK 413	060182
41	1/2" X 1/2" SAE	None	ADK 414	060183
41	1/2" X 1/2" ODF	None	ADK 414S	060185
41	5/8" X 5/8" SAE	None	ADK 415	060184
41	5/8" X 5/8" ODF	None	ADK 415S	060186
41	7/8" X 7/8" ODF	None	ADK 417S	060187
41	1-1/8" X 1-1/8" ODF	None	ADK 419S	060188
75	7/8" X 7/8" ODF	None	ADK 757S	060190
75	1-1/8" X 1-1/8" ODF	None	ADK 759S	060191

ADK SERIES CAPACITY TABLE

MODEL NUMBER	CONN.	FLOW CAPACITY TONS @ 1 PSI ΔP ^{1,4} (FOR KW, MULTIPLY TONS BY 3.5)							WATER CAPACITY ² (DROPS OF WATER ³)																	
		R-22/ R-448A/ R-449A	R-134a/ R-450A/ R-513A	R-290	R-410A	R-407C	R-404A / R-507	R-744	R-22		R-134a		R-290		R-407C		R-410A		R-404A / 507		R-448A / R-449A		R-450A / R-513A		R-744	
									75°F	125°F	75°F	125°F	75°F	125°F	75°F	125°F	75°F	125°F	75°F	125°F	75°F	125°F	75°F	125°F	14°F	75°F
ADK 032	1/4 SAE	2.1	1.9	2.3	2.1	2.0	1.4	2.7	69	63	74	68	62	59	57	46	47	36	76	72	49	45	63	57	58	64
ADK 032S	1/4 ODF	2.5	2.3	2.8	2.5	2.4	1.7	3.2																		
ADK 033	3/8 SAE	2.9	2.7	3.2	2.9	2.9	2.0	3.7																		
ADK 033S	3/8 ODF	3.3	3.0	3.6	3.3	3.2	2.2	4.3																		
ADK 052	1/4 SAE	2.2	2.0	2.4	2.2	2.1	1.4	2.8	180	130	195	180	161	152	150	120	125	95	200	190	128	116	162	147	144	169
ADK 052S	1/4 ODF	3.1	2.9	3.4	3.1	3.1	2.1	4.0																		
ADK 053	3/8 SAE	4.0	3.7	4.4	4.0	3.9	2.7	5.2																		
ADK 53S	3/8 ODF	4.9	4.5	5.4	4.9	4.8	3.3	6.3																		
ADK 082	1/4 SAE	2.2	2.0	2.4	2.2	2.1	1.4	2.8	250	225	265	245	227	214	205	165	170	130	275	260	180	164	228	207	198	233
ADK 082S	1/4 ODF	3.4	3.1	3.7	3.4	3.3	2.2	4.4																		
ADK 083	3/8 SAE	4.7	4.3	5.2	4.7	4.6	3.1	6.1																		
ADK 083S	3/8 ODF	4.6	4.2	5.1	4.6	4.5	3.0	5.9																		
ADK 084	1/2 SAE	7.3	6.7	8.0	7.3	7.1	4.9	9.4	265	330	390	360	322	304	300	240	250	190	400	380	256	233	323	294	328	386
ADK 084S	1/2 ODF	7.6	7.0	8.4	7.6	7.4	5.1	9.8																		
ADK 162	1/4 SAE	2.2	2.0	2.4	2.2	2.1	1.4	2.8																		
ADK 163	3/8 SAE	4.8	4.4	5.3	4.8	4.7	3.2	6.2																		
ADK 163S	3/8 ODF	5.3	4.9	5.8	5.3	5.2	3.6	6.8	810	740	865	800	—	—	675	540	555	420	895	845	614	558	775	705	676	796
ADK 164	1/2 SAE	9.0	8.3	9.9	9.0	8.8	6.0	11.6																		
ADK 164S	1/2 ODF	9.3	8.6	10.2	9.3	9.1	6.2	12.0																		
ADK 165	5/8 SAE	12.8	11.8	14.1	12.8	12.5	8.6	16.5																		
ADK 165S	5/8 ODF	14.2	13.1	15.6	14.2	13.9	9.5	18.3	810	740	865	800	—	—	675	540	555	420	895	845	614	558	775	705	676	796
ADK 167S	7/8 ODF	17.3	16.0	19.0	17.3	17.0	11.8	22.3																		
ADK 303	3/8 SAE	5.1	4.7	—	5.1	5.0	3.4	6.6																		
ADK 304	1/2 SAE	9.3	8.6	—	9.3	9.1	6.2	12.0																		
ADK 304S	1/2 ODF	9.5	8.8	—	9.5	9.4	6.4	12.3																		
ADK 305	5/8 SAE	15.0	13.8	—	15.0	14.7	10.0	19.4																		

ADK SERIES CAPACITY TABLE (CONTINUED)

MODEL NUMBER	CONN.	FLOW CAPACITY TONS @ 1 PSI ΔP ^{1,4} (FOR kW, MULTIPLY TONS BY 3.5)							WATER CAPACITY ² (DROPS OF WATER ³)																	
		R-22/ R-448A/ R-449A	R-134a/ R-450A/ R-513A	R-290	R-410A	R-407C	R-404A / R-507	R-744	R-22		R-134a		R-290		R-407C		R-410A		R-404A / 507		R-448A / R-449A		R-450A / R-513A		R-744	
									75°F	125°F	75°F	125°F	75°F	125°F	75°F	125°F	75°F	125°F	75°F	125°F	75°F	125°F	75°F	125°F	75°F	125°F
ADK 305S	5/8 ODF	15.7	14.5	—	15.7	15.4	10.5	20.3	810	740	865	800	—	—	675	540	555	420	895	845	614	558	775	705	676	796
ADK 306S	3/4 ODF	17.1	15.8	—	17.1	16.8	11.5	22.1																		
ADK 307S	7/8 ODF	18.9	17.4	—	18.9	18.5	12.6	24.4																		
ADK 309S	1-1/8 ODF	27.0	24.9	—	27.0	26.5	18.0	34.8																		
ADK 413	3/8 SAE	5.1	4.7	—	5.1	5.0	3.4	6.6	1140	1010	1210	1100	—	—	945	740	780	580	1260	1156	818	744	1033	1033	900	1060
ADK 414	1/2 SAE	10.6	9.8	—	10.6	10.4	7.1	13.7																		
ADK 414S	1/2 ODF	11.6	10.7	—	11.6	11.4	7.8	15.0																		
ADK 415	5/8 SAE	16.9	15.6	—	16.9	16.6	11.3	21.8																		
ADK 415S	5/8 ODF	17.9	16.5	—	17.9	17.5	12.0	23.1																		
ADK 417S	7/8 ODF	22.0	20.3	—	22.0	21.7	14.7	28.4																		
ADK 419S	1-1/8 ODF	27.3	25.2	—	27.3	26.8	18.3	35.2																		
ADK 757S	7/8 ODF	37.1	34.2	—	37.1	36.3	24.8	47.9																		
ADK 759S	1-1/8 ODF	40.4	37.3	—	40.4	39.6	27.0	52.1																		

¹ All ratings in accordance with ARI Standard 710-04. 86oF liquid refrigerant temperature
 5°F saturated vapor temperature
 3.1 lbs./min./ton for R-134a
 2.9 lbs./min./ton for R-22 and R-407C
 4.0 lbs./min./ton for R-404A/507 and R-12
 2.7 lbs./min./ton for R-410A
⁵ Since there is currently no ARI standard for R-744, values are based on 1 ton of refrigeration at 20°F liquid refrigerant temperature and -20°F saturated vapor temperature.

² Water Capacities are based on:
 Equilibrium Point Dryness (EPD) of:
 50 parts per million for R-134a,
 R404-A/507, R-410A, R-407C, and R-744
 60 parts per million for R-22
 15 parts per million for R-12

³ 20 drops of water = 1 gram = 1 cc
⁴ For 2 PSI ΔP, Multiply values by 1.4

LIQUID REFRIGERANT HOLDING CAPACITY-OUNCES

UNIT SIZE	R-12		R-22 / R-448A / R-449A		R290		R-134a / R-450A / R-513A		R-407C		R-410A		R-404A / 507		R-502		R-744	
	75°F	125°F	75°F	125°F	75°F	125°F	75°F	125°F	75°F	125°F	75°F	125°F	75°F	125°F	75°F	125°F	20°F	-20°F
03	2.4	2.2	2.2	2.0	0.9	0.8	2.2	2.0	2.1	1.9	2.0	1.7	1.9	1.7	2.7	2.3	1.8	2.0
05	5.9	6.0	5.4	5.4	2.2	2	5.5	5.5	5.2	5.0	4.8	4.5	4.7	4.5	6.0	5.3	4.9	5.4
08	8.0	7.4	7.3	6.6	3	2.7	7.4	6.7	7.0	6.2	6.5	5.5	6.4	5.5	7.7	6.8	5.9	6.5
16	14.5	12.5	13.2	11.2	5.4	4.9	13.4	11.4	12.6	10.4	11.7	9.4	11.6	9.3	9.5	8.4	10.1	11.2
30	21.8	19.9	19.8	17.8	8.1	7.3	20.1	18.1	18.9	16.6	17.4	14.9	17.4	14.7	26.7	23.4	16.0	17.7
41	29.3	26.8	26.6	23.9	11	9.9	26.9	24.4	25.4	22.3	23.7	20.0	23.3	19.7	37.2	32.4	21.4	23.8
75	52.8	48.3	48.0	43.1	19.8	17.9	48.6	43.9	45.8	40.2	42.8	36.0	42.1	35.6	67.2	59.0	38.7	42.9



BFK 083S

BFK SERIES HERMETIC LIQUID LINE BI-DIRECTIONAL FILTER DRIERS

The BFK is a liquid line filter drier for heat pump applications.

FEATURES

- Available 5 to 30 Cubic In. size
- Internal check valve allows flow and filtration in either direction eliminating the need for external check valves
- High moisture and acid removal capacity
- Corrosion resistant epoxy powder paint finish
- Approved for POE oils

SPECIFICATIONS

Desiccant Blend..... Optimized for high water and acid capacity
 Filtration 40 microns
 Maximum Working Pressure..... 680 psig (47 bar)
 UL/CUL File Number SA3124
 Canadian CRN0E21971.513467890YTN

MODEL NUMBER NOMENCLATURE - EXAMPLE: BFK 165S

SERIES	UNIT SIZE	CONNECTION SIZE	CONNECTION STYLE	SEQUENTIAL IDENTIFIER	CUSTOMER SPECIAL	PACK TYPE
BFK	16	5	S			
Hermetic Liquid Line Bi-Directional Filter Driers	In Cubic In.	In 1/8" Increments	S = ODF	Blank Thru -99	G = Customer Special (Omit for Standard)	B1 = Bulk Pack (Omit for Individual Pack)

BFK BI-DIRECTIONAL LIQUID LINE FILTER DRIERS

UNIT SIZE (CUBIC INCHES)	INLET X OUTLET CONNECTION SIZE	MODEL NUMBER	ITEM NUMBER
5	1/4" X 1/4" SAE	BFK 052	062300
5	1/4" X 1/4" ODF	BFK 052S	062425
5	3/8" X 3/8" SAE	BFK 053	062254
5	3/8" X 3/8" ODF	BFK 053S	062255
8	3/8" X 3/8" SAE	BFK 083	043321
8	3/8" X 3/8" ODF	BFK 083S	043323
8	1/2" X 1/2" SAE	BFK 084	043325
8	1/2" X 1/2" ODF	BFK 084S	043327
8	5/8" X 5/8" SAE	BFK 085	043728
8	5/8" X 5/8" ODF	BFK 085S	043730
16	3/8" X 3/8" SAE	BFK 163	043330
16	3/8" X 3/8" ODF	BFK 163S	043333
16	1/2" X 1/2" SAE	BFK 164	043335
16	1/2" X 1/2" ODF	BFK 164S	043337
16	5/8" X 5/8" SAE	BFK 165	043732
16	5/8" X 5/8" ODF	BFK 165S	043734
16	7/8" X 7/8" ODF	BFK 167S	058589
30	3/8" X 3/8" ODF	BFK 303S	063077
30	1/2" X 1/2" SAE	BFK 304	063078
30	1/2" X 1/2" ODF	BFK 304S	063079
30	5/8" X 5/8" SAE	BFK 305	063080
30	5/8" X 5/8" ODF	BFK 305S	063081
30	3/4" X 3/4" ODF	BFK 306S	063083
30	7/8" X 7/8" ODF	BFK 307S	063084
30	1-1/8" X 1-1/8" ODF	BFK 309S	063451

BFK SERIES CAPACITY TABLE

MODEL NUMBER	CONNECTION	FLOW CAPACITY TONS @ 1 PSI ΔP ^{1,4} (FOR KW, MULTIPLY TONS BY 3.5)				WATER CAPACITY ² DROPS OF WATER ³							
		R-22		R-410A		R-407C		R-410A		R-744			
		75°F	125°F	75°F	125°F	75°F	125°F	75°F	125°F	14°F	75°F		
BFK-05 2	1/4 SAE	1.6	1.6	1.6	2.1	73	66	58	42	39	35	81	89
BFK-05 2S	1/4 ODF	2.2	2.2	2.2	2.8								
BFK-05 3	3/8 SAE	3.5	3.5	3.4	4.5								
BFK-05 3S	3/8 ODF	4.0	4.0	3.9	5.2								
BFK-08 3	3/8 SAE	4.5	4.5	4.4	5.8	159	144	106	79	85	75	136	150
BFK-08 3S	3/8 ODF	5.1	5.1	5.0	6.6								
BFK-08 4	1/2 SAE	6.4	6.4	6.3	8.3								
BFK-08 4S	1/2 ODF	6.7	6.7	6.6	8.6								
BFK-08 5	5/8 SAE	7.2	7.2	7.0	9.3								
BFK-08 5S	5/8 ODF	8.1	8.1	7.9	10.4								
BFK-16 3	3/8 SAE	4.6	4.6	4.5	5.9	323	294	237	179	178	160	221	260
BFK-16 3S	3/8 ODF	5.2	5.2	5.1	6.7								
BFK-16 4	1/2 SAE	7.7	7.7	7.6	9.9								
BFK-16 4S	1/2 ODF	8.1	8.1	7.9	10.4								
BFK-16 5	5/8 SAE	8.3	8.3	8.1	10.7								
BFK-16 5S	5/8 ODF	8.7	8.7	8.5	11.2								
BFK-30 3S	3/8 ODF	5.8	5.8	5.7	7.5	585	532	452	345	415	293	453	533
BFK-30 4	1/2 SAE	7.6	7.6	7.5	9.8								
BFK-30 4S	1/2 ODF	9.7	9.7	9.5	12.5								
BFK-30 5	5/8 SAE	10.3	10.3	10.1	13.3								
BFK-30 5S	5/8 ODF	14.2	14.2	13.9	18.3								
BFK-30 6S	3/4 ODF	16.0	16.0	15.7	20.6								
BFK-30 7S	7/8 ODF	16.7	16.7	16.4	21.5								
BFK-30 9S	1 1/8 ODF	18.0	18.0	17.5	23.2								

¹ All ratings in accordance with ARI Standard 710-04. 86oF liquid refrigerant temperature
 5°F saturated vapor temperature
 3.1 lbs./min./ton for R-134a
 2.9 lbs./min./ton for R-22 and R-407C
 4.0 lbs./min./ton for R-404A/507 and R-12
 2.7 lbs./min./ton for R-410A
⁵ Since there is currently no ARI standard for R-744, values are based on 1 ton of refrigeration at 20°F liquid refrigerant temperature and -20°F saturated vapor temperature.

² Water Capacities are based on:
 Equilibrium Point Dryness (EPD) of:
 50 parts per million for R-134a,
 R404-A/507, R-410A, R-407C, and R-744
 60 parts per million for R-22
 15 parts per million for R-12

³ 20 drops of water = 1 gram = 1 cc
⁴ For 2 PSI ΔP, Multiply values by 1.4

LIQUID REFRIGERANT HOLDING CAPACITY-OUNCES

UNIT SIZE	R-22		R-407C		R-410A		R-744	
	75°F	125°F	75°F	125°F	75°F	125°F	20°F	-20°F
05	4.6	4.2	4.4	3.9	4.1	3.5	3.7	4.1
08	7.7	6.9	7.3	6.4	6.9	5.8	6.2	6.9
16	14.2	12.7	13.5	11.8	12.6	10.6	1.4	12.7
30	21.0	18.7	20.0	17.4	19.6	16.5	16.8	18.7



BSL 0835S



BSB 083S



BSS 167S

BUILDER SERIES HERMETIC FILTER DRIERS

The Builder Series is a hermetic filter drier that provides economical system protection for air conditioning and heat pump applications.

FEATURES

- ODF solid copper connections for easy install
- Desiccant blend optimized for high water and acid capacity
- Corrosion resistant epoxy powder paint finish
- BSB and BSS feature solid core construction
- BSL features compacted bead construction with 20 micron filtration for maximum moisture and acid removal while protecting POE oil
- BSL filters at both the inlet and outlet and retains contaminants during system cycling and vibration

SPECIFICATIONS

Desiccant blend..... Optimized for high water capacity and acid capacity
 Maximum working pressure 680 psig (47 bar)
 UL/CUL file number SA 7175
 Filtration 40 microns (BSB and BSS only)
 20 microns (BSL only)
 Canadian CRN 0E21971.513467890YTN

MODEL NUMBER NOMENCLATURE - EXAMPLE: BSB 083S

SERIES	TYPE	UNIT SIZE	CONNECTION SIZE	CONNECTION STYLE	SEQUENTIAL IDENTIFIER	CUSTOMER SPECIAL	PACK TYPE
BS	B	08	3	S			
Hermetic Filter Driers	B = Bi-Directional L = Liquid S = Suction	In Cubic In.	In 1/8" Increments	S = ODF (Omit for SAE)	Blank Thru -99	G = Customer Special (Omit for Standard)	B1 = Bulk Pack (Omit for Individual Pack)

BUILDER SERIES HERMETIC FILTER DRIERS

LINE TYPE	UNIT SIZE (CUBIC INCHES)	INLET X OUTLET CONNECTION SIZE	WATER CAPACITY DROPS R-410A @ 125°F	FLOW CAPACITY TONS R-410A	MODEL NUMBER	ITEM NUMBER
Liquid	5	3/8" X 3/8" ODF	56	5.3	BSL 053S	066758
Liquid	8	3/8" X 3/8" ODF	108	5.3	BSL 083S	066759
Liquid	8	1/2" X 1/2" ODF	108	7.6	BSL 084S	066760
Liquid	16	3/8" X 3/8" ODF	151	5.3	BSL 163S	066761
Liquid	16	1/2" X 1/2" ODF	151	7.6	BSL 164S	066763
Bi-Directional	8	3/8" X 3/8" ODF	70	5.1	BSB 083S	066130
Bi-Directional	16	3/8" X 3/8" ODF	125	5.1	BSB 163S	066131
Suction	16	5/8" X 5/8" ODF	51	3.5	BSS 165S	066126
Suction	16	3/4" X 3/4" ODF	51	4.2	BSS 166S	066127
Suction	16	7/8" X 7/8" ODF	51	4.2	BSS 167S	066128
Suction	30	5/8" X 5/8" ODF	84	3.5	BSS 305S	066100
Suction	30	3/4" X 3/4" ODF	84	5.5	BSS 306S	066101
Suction	30	7/8" X 7/8" ODF	84	6.0	BSS 307S	066129
Suction	30	1-1/8" X 1-1/8" ODF	84	6.2	BSS 309S	066102



BOK 304SHH

BOK SERIES HERMETIC LIQUID LINE FILTER DRIERS

The BOK is a liquid line filter drier for burnout clean-up and wax removal.

FEATURES

- Activated carbon blend for soluble contaminant and wax removal
- Solid copper connections
- Corrosion resistant epoxy powder paint finish

SPECIFICATIONS

Filtration 40 microns
 Maximum Working Pressure..... 680 psig (47 bar)
 UL/CUL File Number SA3124
 Canadian CRN0E21971.513467890YTN

MODEL NUMBER NOMENCLATURE - Example: BOK 305S-HH

SERIES	UNIT SIZE	CONNECTION SIZE	CONNECTION STYLE	DESICCANT TYPE	SEQUENTIAL IDENTIFIER	CUSTOMER SPECIAL	PACK TYPE
BOK	30	5	S	HH			
Hermetic Liquid Line Filter Driers	In Cubic In.	In 1/8" Increments	S = ODF	HH = Activated Carbon	Blank Thru -99	G = Customer Special (Omit for Standard)	B1 = Bulk Pack (Omit for Individual Pack)

BOK LIQUID LINE FILTER DRIERS & CAPACITY TABLE

MODEL NUMBER	ITEM NUMBER	UNIT SIZE (CUBIC INCHES)	INLET X OUTLET CONN. SIZE	FLOW CAPACITY ¹⁴ TONS @ 1 PSI ΔP (FOR KW, MULTIPLY TONS BY 3.5)						WATER CAPACITY ² DROPS OF WATER ³															
				R-22 / R-448A / R-449A	R-134a / R-450A / R-513A	R-404A / R-507	R-407C	R-410A	R-744	R-22		R-134a		R-404A / R-507		R-407C		R-410A / R-449A		R-450A / R-513A		R-744			
										75°F	125°F	75°F	125°F	75°F	125°F	75°F	125°F	75°F	125°F	75°F	125°F	14°F	75°F		
BOK 082HH	060223	8	1/4" X 1/4" SAE	1.6	1.5	1.1	1.6	1.6	2.1	78	59	88	71	93	71	74	45	66	38	32	30	40	37	51	63
BOK 082SHH	064591	8	1/4" X 1/4" ODF	3.4	3.1	2.2	3.3	3.4	4.4																
BOK 083HH	060224	8	3/8" X 3/8" SAE	4.2	3.9	2.8	4.1	4.2	5.4																
BOK 083SHH	064572	8	3/8" X 3/8" ODF	4.6	4.2	3.0	4.5	4.6	5.9																
BOK 162HH	060240	16	1/4" X 1/4" SAE	1.6	1.5	1.1	1.6	1.6	2.1	153	117	171	141	182	141	91	56	77	41	67	61	83	76	93	113
BOK 163HH	060241	16	3/8" X 3/8" SAE	4.7	4.3	3.1	4.6	4.7	6.1																
BOK 163SHH	060242	16	3/8" X 3/8" ODF	6.3	5.8	4.2	6.2	6.3	8.1																
BOK 164HH	060228	16	1/2" X 1/2" SAE	9.3	8.6	6.2	9.1	9.3	12.0																
BOK 164SHH	060229	16	1/2" X 1/2" ODF	11.1	10.2	7.4	10.9	11.1	14.3																
BOK 165HH	060230	16	5/8" X 5/8" SAE	13.9	12.8	9.3	13.6	13.9	17.9																
BOK 165SHH	060231	16	5/8" X 5/8" ODF	13.9	12.8	9.3	13.6	13.9	17.9																
BOK 303HH	060232	30	3/8" X 3/8" SAE	4.7	4.3	3.1	4.6	4.7	6.1																
BOK 304HH	060233	30	1/2" X 1/2" SAE	10.7	9.9	7.2	10.5	10.7	13.8	267	204	300	245	318	247	234	146	160	94	119	108	148	135	167	203
BOK 304SHH	060234	30	1/2" X 1/2" ODF	11.7	10.8	7.8	11.5	11.7	15.1																
BOK 305HH	060235	30	5/8" X 5/8" SAE	14.6	13.5	9.8	14.3	14.6	18.8																
BOK 305SHH	060236	30	5/8" X 5/8" ODF	15.8	14.6	10.6	15.5	15.8	20.4																

BOK LIQUID LINE FILTER DRIERS & CAPACITY TABLE (CONTINUED)

MODEL NUMBER	ITEM NUMBER	UNIT SIZE (CUBIC INCHES)	INLET X OUTLET CONN. SIZE	FLOW CAPACITY ¹⁴ TONS @ 1 PSI ΔP (FOR KW, MULTIPLY TONS BY 3.5)						WATER CAPACITY ² DROPS OF WATER ³															
				R-22 / R-448A / R-449A	R-134a / R-450A / R-513A	R-404A / R-507	R-407C	R-410A	R-744	R-22		R-134a		R-404A / R-507		R-407C		R-410A		R-448A / R-449A		R-450A / R-513A		R-744	
										75°F	125°F	75°F	125°F	75°F	125°F	75°F	125°F	75°F	125°F	75°F	125°F	75°F	125°F	75°F	125°F
BOK 414HH	060237	41	1/2" X 1/2" SAE	11.1	10.2	7.4	10.9	11.1	14.3																
BOK 415HH	060238	41	5/8" X 5/8" SAE	17.7	16.3	11.8	17.4	17.7	22.8	379	282	427	344	454	342	256	155	220	125	163	150	204	186	249	305
BOK 415SHH	064593	41	5/8" X 5/8" ODF	17.7	16.3	14.4	21.1	17.7	22.8																
BOK 417SHH	060239	41	7/8" X 7/8" ODF	21.5	19.8	14.4	21.1	21.5	27.7																

¹ All ratings in accordance with ARI Standard 710-04. 86oF liquid refrigerant temperature
 5°F saturated vapor temperature
 3.1 lbs./min./ton for R-134a
 2.9 lbs./min./ton for R-22 and R-407C
 4.0 lbs./min./ton for R-404A/507 and R-12
 2.7 lbs./min./ton for R-410A
 5 Since there is currently no ARI standard for R-744, values are based on 1 ton of refrigeration at 20°F liquid refrigerant temperature and -20°F saturated vapor temperature.

² Water Capacities are based on:
 Equilibrium Point Dryness (EPD) of:
 50 parts per million for R-134a, R404-A/507, R-410A, R-407C, and R-744
 60 parts per million for R-22
 15 parts per million for R-12

³ 20 drops of water = 1 gram = 1 cc
⁴ For 2 PSI ΔP, Multiply values by 1.4

LIQUID REFRIGERANT HOLDING CAPACITY-OUNCES

UNIT SIZE	R-134a		R-22		R-407C		R-410A		R-404A / 507		R-448A / R-449A		R-450A / R-513A		R-744	
	75°F	125°F	75°F	125°F	75°F	125°F	75°F	125°F	75°F	125°F	75°F	125°F	75°F	125°F	20°F	-20°F
08	6.7	6.0	6.6	5.9	6.3	5.5	5.9	4.9	5.8	4.9	6.0	5.4	6.4	5.8	5.3	5.9
16	12.8	11.5	12.6	11.3	12.0	10.5	11.2	9.4	11.1	9.3	11.7	10.4	12.4	11.2	10.1	11.3
30	20.1	18.1	19.8	17.8	18.9	16.6	17.6	14.9	17.4	14.7	18.3	16.3	19.4	17.6	16.0	17.7
41	26.9	24.4	26.6	23.9	25.4	22.3	23.7	20.0	23.3	19.7	24.5	21.8	26.1	23.6	21.4	23.8

**CU SERIES SPUN COPPER HERMETIC
LIQUID LINE FILTER DRIERS**

The CU series is a high capacity spun copper solid core filter drier ideal for superior corrosion resistance in ocean going vessels and residential coastal applications. Models available for replacement in residential air conditioning or refrigeration equipment.

FEATURES

- All copper construction for extreme corrosion resistance
- 100% molecular sieve solid core drier

SPECIFICATIONS

Maximum Working Pressure..... 600 psig (41 bar)
 Filtration Standard 40 microns
 Fractional Tonnage 100 microns
 UL/CUL File Number SA7175
 Canadian CRN 0E21971.513467890YTN

MODEL NUMBER NOMENCLATURE - Example: CU 1635

SERIES	UNIT SIZE	CONNECTION SIZE	CONNECTION TYPE	SEQUENTIAL IDENTIFIER	CUSTOMER SPECIAL	PACK TYPE
CU	16	3	S			
Hermetic Liquid Line Filter Driers	In Cubic In.	In 1/8" Increments	S = ODF (Omit S for special)	Blank Thru -99	G = Customer Special (Omit for Standard)	B1 = Bulk Pack (Omit for Individual Pack)

CU SERIES SPUN COPPER HERMETIC LIQUID LINE FILTER DRIERS

PARKER EQUIVALENT	UNIT SIZE (CUBIC INCHES)	INLET CONNECTION	OUTLET CONNECTION	FILTRATION (MICRONS)	MAXIMUM WORKING PRESSURE (PSIG)	FLOW CAPACITY TONS @ 1 PSI ΔP ¹⁴ (FOR KW, MULTIPLY TONS BY 3.5)		WATER CAPACITY ² (DROPS OF WATER ³)												MODEL NUMBER	ITEM NUMBER												
						R-22 / R-410A		R-134a / R-450A / R-513A		R-290		R-404A / R-507 / R-452A		R-407A / R-407C / R-448A / R-449A		R-22		R-134a				R-290		R-404A / R-507		R-407C		R-410A		R-448A / R-449A		R-450A / R-513A	
						75°F	125°F	75°F	125°F	75°F	125°F	75°F	125°F	75°F	125°F	75°F	125°F	75°F	125°F			75°F	125°F	75°F	125°F	75°F	125°F	75°F	125°F	75°F	125°F	75°F	125°F
CU LLD 3-3S	3	3/8 ODF	3/8 ODF	40	600	2.8	2.6	3.1	1.9	2.7	87	81	93	87	109	103	96	93	72	57	60	54	87	79	110	100	CU 033S	064389					
CU LLD 5-3S	5	3/8 ODF	3/8 ODF	40	600	2.8	2.6	3.1	1.9	2.7	101	93	108	101	126	119	112	108	82	63	70	62	99	90	137	125	CU 053S	064391					
CU LLD 8-3S	8	3/8 ODF	3/8 ODF	40	600	3.8	3.5	4.2	2.5	3.7	191	177	205	191	236	223	212	205	156	122	131	117	188	171	237	216	CU 083S	064393					
CU LLD 16-3S	16	3/8 ODF	3/8 ODF	40	600	4.3	4.0	4.7	2.9	4.2	257	237	277	257	340	320	287	277	207	158	177	157	270	245	341	310	CU 163S	064395					

CU SERIES SPUN COPPER HERMETIC LIQUID LINE FRACTIONAL TONNAGE FILTER DRIERS

MMS-80	619	620	621	MMS-200	319F	1/4 ODF	1/4 ODF	100	500	0.5	0.3	0.6	0.3	0.5	25	22	26	23	33	31	26	23	23	21	17	15	38	35	38	35	CU 80	064023
619	—	1/4 ODF	CAP	100	500	0.5	0.3	0.6	0.3	0.5	25	22	26	23	33	31	26	23	23	21	17	15	38	35	38	35	CU 619	064026				
620	—	5/16 ODF	CAP	100	500	2.0	1.0	2.2	0.8	1.9	50	44	53	46	66	63	53	46	43	39	33	29	76	69	76	69	CU 620	064027				
621	—	5/16 ODF	CAP	100	500	2.0	1.0	2.2	0.8	1.9	50	44	53	46	66	63	53	46	43	39	33	29	76	69	76	69	CU 621	064119				
MMS-200	—	5/16 ODF 3/8 ODF	5/16 ODF, 3/8 ODF	100	500	1.0	0.8	1.1	0.6	0.9	50	44	53	46	66	63	53	46	43	39	33	29	76	69	76	69	CU 200	064024				
319F	—	5/16 ODF	CAP	100	500	2.0	1.0	2.2	0.8	1.9	75	66	80	76	99	94	79	75	65	59	50	44	114	104	114	104	CU 319	064025				

¹ All ratings in accordance with ARI Standard 710-04. 86oF liquid refrigerant temperature 5°F saturated vapor temperature
 3.1 lbs./min./ton for R-134a
 2.9 lbs./min./ton for R-22 and R-407C
 4.0 lbs./min./ton for R-404A/507 and R-12
 2.7 lbs./min./ton for R-410A

² Water Capacities are based on: Equilibrium Point Dryness (EPD) of: 50 parts per million for R-134a, R404-A/507, R-410A, R-407C, and R-744 60 parts per million for R-22

³ 20 drops of water = 1 gram = 1 cc
⁴ For 2 PSI ΔP, Multiply values by 1.4



ALF 032MF

ALF SERIES HERMETIC LIQUID LINE FILTERS

The ALF is a liquid line refrigerant filter for recovery, recycle and reclaim usage.
The ALF is also used for protecting solenoid and expansion valve parts from debris.

FEATURES

- Filtering media maximizes removal of finer particles
- Corrosion resistant epoxy powder paint finish

SPECIFICATIONS

Filtration 40 microns
 Maximum Working Pressure..... 680 psig (47 bar)
 UL/CUL File NumberSA 3124
 Canadian CRN0E21971.513467890YTN

MODEL NUMBER NOMENCLATURE - EXAMPLE: ALF 032S

SERIES	UNIT SIZE	CONNECTION SIZE	CONNECTION STYLE	SEQUENTIAL IDENTIFIER	CUSTOMER SPECIAL	PACK TYPE
ALF	03	2	S			
Hermetic Liquid Line Filters	In Cubic In.	In 1/8" Increments	S = ODF MF = ODM x ODF (Omit for SAE)	Blank Thru -99	G = Customer Special (Omit for Standard)	B1 = Bulk Pack (Omit for Individual Pack)

ALF LIQUID LINE FILTERS

UNIT SIZE (CUBIC INCHES)	INLET X OUTLET CONNECTION SIZE	MODEL NUMBER	ITEM NUMBER
3	1/4" SAE Male X 1/4" SAE Flare Female	ALF 032MF	057193
3	1/4" X 1/4" ODF	ALF 032S	056618
3	3/8" X 3/8" ODF	ALF 033S	057140
3	1/2" X 1/2" ODF	ALF 034S	056645

CAPACITY TABLE

RECOVERY, RECYCLE AND RECLAIM REFRIGERANT FLOW CAPACITY (LBS./MIN. LIQUID)		
R-134a / R-450A / R-513A	R-22 / R-410A / R-448A / R-449A	R-404A / R-507
7.6	8.0	8.0



STAS 9617T

STAS SERIES TAKE-APART LIQUID AND SUCTION FILTER DRIERS

The STAS is a replaceable core filter drier for use in large commercial air conditioning and refrigeration systems. The STAS-CO is specifically designed for CO₂ (R-744) systems.

FEATURES

- Slotted cover/unique internal hardware for hassle-free installation
- Full flow fittings for low pressure drop
- Corrosion resistant epoxy powder paint finish
- Sturdy steel shells for long life
- Solid copper connections
- 100 mesh outlet screen

SPECIFICATIONS

Filtration40 microns with core
 Maximum Working Pressure..... SV version = 500 psig (35 bar)
 T version = 680 psig (47 bar)
 UL/CUL File Number SA7175
 Canadian CRN0E21971.513467890YTN

MODEL NUMBER NOMENCLATURE - EXAMPLE: STAS CO489T

SERIES	DESIGN	UNIT SIZE	CONNECTION SIZE	SYSTEM SERVICE	SEQUENTIAL IDENTIFIER	CUSTOMER SPECIAL	PACK TYPE
STAS	CO	48	9	T	VV		
Steel Take-Apart Liquid or Suction Filter Driers	CO = For use with R-744 (Omit for Standard Refrigerants)	In Cubic In.	In 1/8" Increments	T = Liquid Line Service SV = Suction Line Service	Blank Thru -99	G = Customer Special (Omit for Standard)	B1 = Bulk Pack (Omit for Individual Pack)

STAS SERIES LIQUID AND SUCTION LINE FILTER DRIERS

(STAS uses 48 cubic in. Cores and shipped without filter or filter drier cores. See filter drier cores and filters section)

UNIT SIZE (CUBIC INCHES)	INLET X OUTLET CONNECTION SIZE	ACCESS TYPE	NUMBER OF 48 IN. CORES	MODEL NUMBER	ITEM NUMBER
48	5/8" X 5/8" ODF	Tap Access	1	STAS 485T	053001
48	5/8" X 5/8" ODF	Tap Access	1	STAS CO485T	066725
48	7/8" X 7/8" ODF	Tap Access	1	STAS 487T	053003
48	7/8" X 7/8" ODF	Tap Access	1	STAS CO487T	066726
48	1-1/8" X 1-1/8" ODF	Tap Access	1	STAS 489T	053005
48	1-1/8" X 1-1/8" ODF	Tap Access	1	STAS CO489T	066727
48	1-3/8" X 1-3/8" ODF	Single	1	STAS 4811SV	053938
48	1-3/8" X 1-3/8" ODF	Tap Access	1	STAS 4811T	053007
48	1-5/8" X 1-5/8" ODF	Single	1	STAS 4813SV	053043
48	1-5/8" X 1-5/8" ODF	Tap Access	1	STAS 4813T	053375
48	2-1/8" X 2-1/8" ODF	Single	1	STAS 4817SV	053044
48	2-5/8" X 2-5/8" ODF	Single	1	STAS 4821SV	053045
96	7/8" X 7/8" ODF	Tap Access	2	STAS 967T	053010
96	1-1/8" X 1-1/8" ODF	Tap Access	2	STAS 969T	053012
96	1-3/8" X 1-3/8" ODF	Tap Access	2	STAS CO9611T	066729
96	1-3/8" X 1-3/8" ODF	Tap Access	2	STAS 9611T	053014
96	1-1/8" X 1-1/8" ODF	Tap Access	2	STAS CO969T	066728

STAS SERIES LIQUID AND SUCTION LINE FILTER DRIERS (CONTINUED)

UNIT SIZE (CUBIC INCHES)	INLET X OUTLET CONNECTION SIZE	ACCESS TYPE	NUMBER OF 48 IN. CORES	MODEL NUMBER	ITEM NUMBER
96	1-5/8" X 1-5/8" ODF	Tap Access	2	STAS 9613T	053017
96	2-1/8" X 2-1/8" ODF	Single	2	STAS 9617SV	053047
96	2-1/8" X 2-1/8" ODF	Tap Access	2	STAS 9617T	053018
96	2-5/8" X 2-5/8" ODF	Single	2	STAS 9621SV	053048
96	3-1/8" X 3-1/8" ODF	Single	2	STAS 9625SV	059739
144	1-1/8" X 1-1/8" ODF	Tap Access	3	STAS 1449T	053020
144	1-3/8" X 1-3/8" ODF	Tap Access	3	STAS 1441T	053022
144	1-5/8" X 1-5/8" ODF	Tap Access	3	STAS 14413T	053024
144	2-1/8" X 2-1/8" ODF	Tap Access	3	STAS 14417T	053025
192	1-3/8" X 1-3/8" ODF	Tap Access	4	STAS 19211T	053028
192	1-5/8" X 1-5/8" ODF	Tap Access	4	STAS 19213T	053030
192	2-1/8" X 2-1/8" ODF	Tap Access	4	STAS 19217T	053031

SV style includes stainless steel bolts and access valve
T style can be used for suction by removing pipe plug and installing x-11562-2

STAS SERIES PARTS LIST

DESCRIPTION	MODEL NUMBER	ITEM NUMBER
STAS Steel Liquid and Suction Line Filter Drier Cover Bolts (Stainless Steel - Suction Line service)	X-25787-7	053121
STAS Felt Set	27394-1	060278
STAS Steel Liquid and Suction Line Filter Drier Gasket Set	X-11983-1	027453
STAS Handle	26446-1	053812
STAS Steel Liquid and Suction Line Filter Drier Mounting Bracket	X-28747-1	061715
STAS Spring	26439-1	060258
BTAS and STAS Suction Line Filter Drier Access Valve with Cap (V-Option)	X-11562-2	037409
STAS Inlet Retainer	26447-1	053813
STAS Steel Liquid and Suction Line Filter Drier Retainer Assembly for 48 cu. In.	X-27458-1	060274
STAS Steel Liquid and Suction Line Filter Drier Retainer Assembly for 96 cu. In.	X-27458-2	060275
STAS Steel Liquid and Suction Line Filter Drier Retainer Assembly for 144 cu. In.	X-27458-3	060276
STAS Steel Liquid and Suction Line Filter Drier Retainer Assembly for 192 cu. In.	X-27458-4	060277
STAS Flange cover assembly includes flange cover, compression spring, pipe plug and grade 5 bolts	X-12176-3	054046
Replacement Filter (Suction Only) for ADKS and Similar Competitive Filters Not for BTAS	F 100	095762
Replacement Filter (Suction Only) Reverse Flow for STAS and Similar Competitive Filters Not for BTAS	F 48R	047664
Filter Drier Core for High Acid and Water Removal in ADKS and STAS Shells and Similar Competitive Take-Apart Filter Drier Shells Not for BTAS	H 100	089338
Block Filter Drier Core for High Acid and Water Removal in STAS Shells and Similar Competitive Take-Apart Filter Drier Shells Not for BTAS	H 48	059542
Filter Drier Core for Highest Water Removal in STAS Shells and Similar Competitive Take-Apart Filter Drier Shells Not for BTAS	HX 48	062549
Universal Replacement Cores, Filter Cores Use In STAS Shells and Similar Competitive Take-Apart Filter Drier Shells. May Not Be Used for BTAS.	RW 48	061238
Premium Universal Replacement Filter Drier Core for ADKS Shells and Similar Competitive Take-Apart Filter Drier Shells Not for BTAS	UK 100	062424
Premium Universal Replacement Filter Drier Core for STAS Shells and Similar Competitive Take-Apart Filter Drier Shells Not for BTAS	UK 48	061617
Burnout Clean Up Filter Drier Core for ADKS Shells and Similar Competitive Take-Apart Filter Drier Shells Not for BTAS	W 100HH	043582
Burnout Clean Up Filter Drier Core for STAS Shells and Similar Competitive Take-Apart Filter Drier Shells Not for BTAS	W 48HH	061235



Capacity
Tables

STAS SERIES CAPACITY TABLE

CONNECTIONS	LIQUID FLOW CAPACITY TONS @ 1 PSI ΔP ¹					MODEL NUMBER	ITEM NUMBER
	R-22 / R-410A / R-448A / R-449A	R-134a / R-450A / R-513A	R-404A / 507	R-407C	R-744		
5/8 ODF	22	21	15	21	28	STAS 485T	053001
7/8 ODF	41	38	27	39	53	STAS 487T	053003
1-1/8 ODF	58	53	38	56	75	STAS 489T	053005
1-3/8 ODF	81	75	53	78	—	STAS 4811T	053007
1-5/8 ODF	89	81	58	85	—	STAS 4813T	053375
7/8 ODF	45	42	30	43	—	STAS 967T	053010
1-1/8 ODF	71	65	47	68	92	STAS 969T	053012
1-3/8 ODF	87	80	57	83	112	STAS 9611T	053014
1-5/8 ODF	100	92	65	95	—	STAS 9613T	053017
1-1/8 ODF	72	66	47	69	—	STAS 1449T	053020
1-3/8 ODF	100	92	65	96	—	STAS 14411T	053022
1-5/8 ODF	101	93	66	97	—	STAS 14413T	053024
2-1/8 ODF	120	110	78	115	—	STAS 14417T	053025
1-1/8 ODF	102	94	67	98	—	STAS 19211T	053028
1-5/8 ODF	113	103	74	108	—	STAS 19213T	053030
2-1/8 ODF	123	113	80	117	—	STAS 19217T	053031

All ratings in accordance with ARI standard 710-04. 86oF liquid refrigerant temperature.

5F saturated vapor temperature

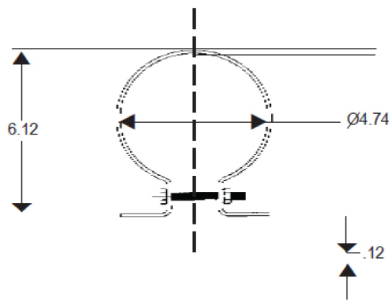
3.1 lbs./min./ton for R-134a

2.9 lbs./min./ton for R-22 and R-407C

4.0lbs./min./ton for R-404A/507 and R-12

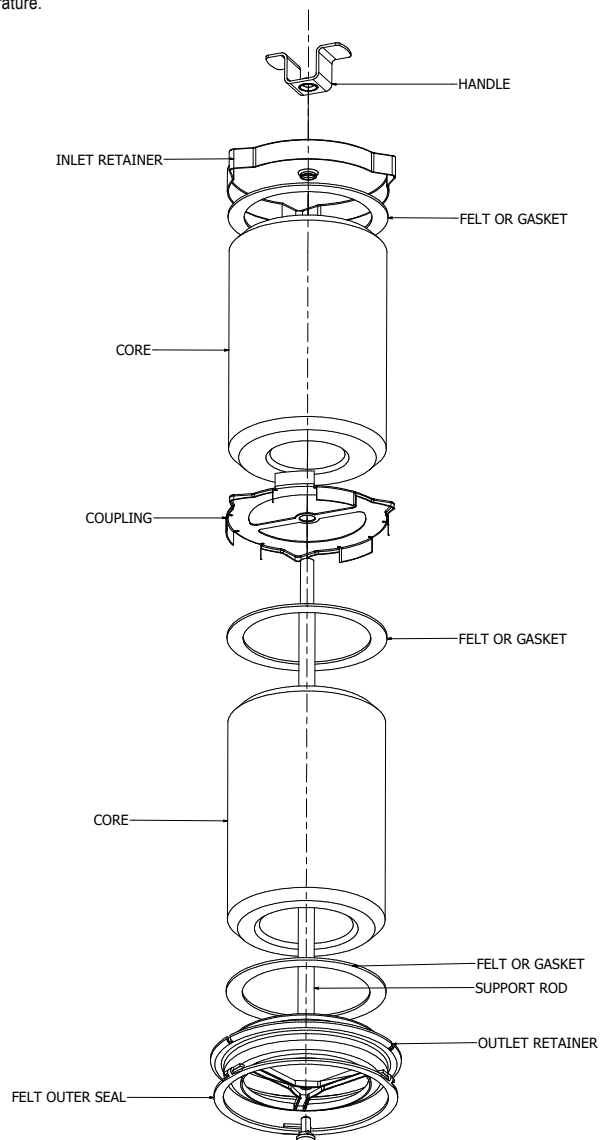
For 2 PSI (triangle)P, Multiply values by 1.4

For kW, multiply by 3.5*



Mounting Bracket for STAS 48*

* More than one mounting bracket may be required for shell sizes 96 and above.





ADKS 30017T

ADKS SERIES TAKE-APART LIQUID & SUCTION LINE FILTER DRIERS

The ADKS is a replaceable core filter drier for use in the liquid or suction line for very large commercial air conditioning and refrigerant systems.

FEATURES

- Full flow fittings for low pressure drop
- Corrosion resistant epoxy powder paint finish
- Sturdy steel shells for long life durability

SPECIFICATIONS

Filtration (With Core)..... 40 microns
 Maximum Working Pressure..... 500 psig* (35 bar)
 UL/CUL File NumberSA 3124
 Bolt Torque.....35 ft-lbs

* Not suitable for R-410A applications above 500 psig.

MODEL NUMBER NOMENCLATURE - EXAMPLE: ADKS 30013T

SERIES	UNIT SIZE	CONNECTION SIZE	ACCESS	SEQUENTIAL IDENTIFIER	CUSTOMER SPECIAL	PACK TYPE
ADKS	300	13	T			
Take-Apart Liquid and Suction Line Filters Driers	In Cubic In.	In 1/8" Increments	T = Tap Access Connection (Omit for no access valve)	Blank Thru -99	G = Customer Special (Omit for Standard)	B1 = Bulk Pack (Omit for Individual Pack)

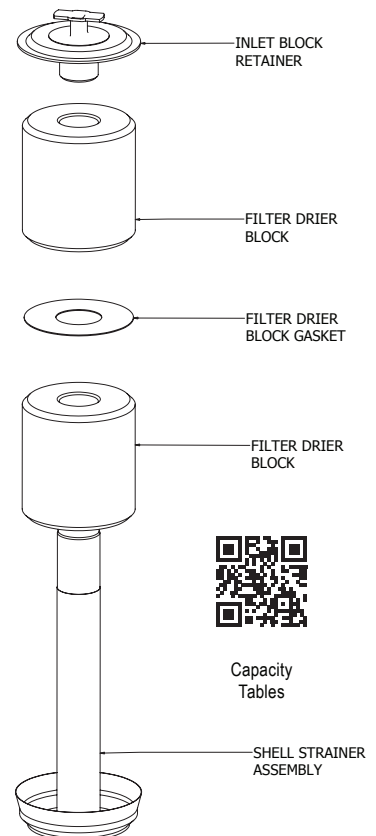
ADKS LIQUID AND SUCTION LINE FILTER DRIER

UNIT SIZE (CUBIC INCHES)	INLET X OUTLET CONNECTION SIZE	ACCESS TYPE	NUMBER OF 100 IN ³ CORES	FLOW CAPACITY IN TONS @ 1 PSI ΔP 1, 2				MODEL NUMBER	ITEM NUMBER
				R-22 / R-410A / R-448A / R-449A	R-134a / R-450A / R-513A	R-404 / 507	R-407C		
300	1-5/8" X 1-5/8" ODF	Tap Access	3	110	102	73	108	ADKS 30013T	026570
300	2-1/8" X 2-1/8" ODF	Tap Access	3	160	148	107	157	ADKS 30017T	037978
400	2-1/8" X 2-1/8" ODF	Tap Access	4	170	157	114	167	ADKS 40017T	032105
400	2-5/8" X 2-5/8" ODF	Tap Access	4	180	166	120	177	ADKS 40021T	037570

Models are shipped without filter cores or filter drier cores. Use 100 cubic inch cores.

ADKS SERIES REPLACEMENT PARTS

DESCRIPTION	MODEL NUMBER	ITEM NUMBER
ADKS-300, ADKS-400 Flange Cover	X-12176-2	027467
ADKS 300 cu. In. Shell Strainer Replacement Kit	X-10574-5	039967
ADKS 400 cu. In. Shell Strainer Replacement Kit	X-10574-6	038315
Gasket Set (Includes Cover Gasket)	X-11983-2	027454
ADKS Series Replacement Flange and Plug Assembly	X-12176-3	054046
ADKS Series Gasket Set	X-11983-2	027454





H 48

FILTER DRIER CORES AND FILTERS FOR TAKE-APART SHELLS

Universal replacement cores and filter cores for use in our ADKS and STAS shells and similar competitive Take-Apart type filter drier shells. May not be used for BTAS.

FEATURES

- Water capacities to suit specific system conditions
- Exceptional acid capacities for normal system protection, or to effectively clean-up following a compressor burnout
- Activated carbon blend for soluble contaminant and wax removal (W-HH Series)

MODEL NUMBER NOMENCLATURE - EXAMPLE: H 48

SERIES	UNIT SIZE
H	48
Universal Replacement Cores and Filters	In Cubic In.

FILTER DRIER CORES AND FILTERS

FUNCTION	DESCRIPTION ³	WATER CAPACITY ¹ (DROPS OF WATER ²)																MODEL NUMBER ³	ITEM NUMBER
		R-22		R-134a		R-404A / R-507		R-407C		R-410A		R-448A / R-449A		R-450A / R-513A		R-744			
		75°F	125°F	75°F	125°F	75°F	125°F	75°F	125°F	75°F	125°F	75°F	125°F	75°F	125°F	14°F	75°F		
High Acid and Water Removal Premium Universal Replacement	Premium Universal Replacement Filter Drier Core for ADKS Shells and Similar Competitive Take-Apart Filter Drier Shells	2574	2345	2769	2550	2868	2710	2182	1682	1616	1303	1683	1531	2787	2437	1887	2073	UK 100	062424
High Acid and Water Removal Premium Universal Replacement	Premium Universal Replacement Filter Drier Core for STAS Shells and Similar Competitive Take-Apart Filter Drier Shells	1181	1072	1272	1168	1319	1241	1033	786	976	707	942	857	1332	1150	1184	1388	UK 48	061617
High Acid and Water Removal	Filter Drier Core for High Acid and Water Removal in ADKS Shells and Similar Competitive Take-Apart Filter Drier Shells	962	673	1112	834	1199	839	726	418	672	364	238	219	1109	758	526	550	H 100	089338
High Acid and Water Removal	Block Filter Drier Core for High Acid and Water Removal in STAS Shells and Similar Competitive Take-Apart Filter Drier Shells	597	436	676	538	721	535	445	285	380	226	388	225	643	475	274	321	H 48	059542
High Acid Removal	Block Filter Drier Core for High Acid Removal in STAS not for BTAS	363	254	415	340	457	343	225	95	210	86	106	98	388	225	186	218	D 48	059541
Highest Water Removal	Filter Drier Core for Highest Water Removal in STAS Shells and Similar Competitive Take-Apart Filter Drier Shells	1600	1491	1710	1600	1765	1710	1459	1161	1280	930	1050	974	1932	1744	929	1027	HX 48	062549
Refrigerant Reclaim / Maximum Moisture Removal	Filter Drier Core / Filter for CFC, HCFC Refrigerant Reclamation and Maximum Moisture Removal	1037	790	1096	920	1090	940	750	530	650	420	421	384	643	475	576	621	RH 48	061237
Refrigerant Reclaim / Burnout with Wax Removal	Universal Replacement Cores for STAS Shells and Similar Competitive Take-Apart Filter Drier Shells	532	380	583	493	600	482	380	230	350	197	147	135	444	306	294	308	RW 48	061238

FILTER DRIER CORES AND FILTERS (CONTINUED)

FUNCTION	DESCRIPTION ³	WATER CAPACITY ¹ (DROPS OF WATER ²)																MODEL NUMBER ³	ITEM NUMBER
		R-22		R-134a		R-404A / R-507		R-407C		R-410A		R-448A / R-449A		R-450A / R-513A		R-744			
		75°F	125°F	75°F	125°F	75°F	125°F	75°F	125°F	75°F	125°F	75°F	125°F	75°F	125°F	14°F	75°F		
Burnout Cleanup with Charcoal	Burnout Clean Up Filter Drier Core for ADKS Shells and Similar Competitive Take-Apart Filter Drier Shells	938	621	1077	812	1162	792	629	363	573	307	248	228	960	663	510	534	W 100HH	043582
Burnout Cleanup with Charcoal	Burnout Clean Up Filter Drier Core for STAS Shells and Similar Competitive Take-Apart Filter Drier Shells	335	226	387	294	417	289	290	165	249	130	119	109	444	306	328	386	W 48HH	061235
Solid Contaminant Filter (Suction Only)	Replacement Filter (Suction Only) for STAS Not for BTAS	—	—	—	—	—	—	—	—	—	—	—	—	—	—	—	—	F 48	089559
Solid Contaminant Filter (Suction Only) Reverse Flow	Replacement Filter (Suction Only) Reverse Flow for STAS and Similar Competitive Filters Not for BTAS	—	—	—	—	—	—	—	—	—	—	—	—	—	—	—	—	F 48R	047664
Solid Contaminant Filter (Suction Only)	Replacement Filter (Suction Only) for ADKS and Similar Competitive Filters Not for BTAS	—	—	—	—	—	—	—	—	—	—	—	—	—	—	—	—	F 100	095762

¹ Water Capacities are based on:
50 parts per million for R-134a, R404-A/R-410A and R-407C
60 parts per million for R-22
15 parts per million for R-12

² 20 drops of water = 1 gram = 1 cc Equilibrium Point Dryness (EPD) of:

³ D-42 and H-42 include one neoprene composite lid gasket and one core gasket. All other cores include a universal neoprene composite gasket kit which includes 2 sizes of replacement lid gaskets, and gaskets for the top and bottom of the core or filter.



BTAS 311SV

BTAS SERIES TAKE-APART SUCTION LINE FILTER DRIERS

The BTAS is a replaceable core take-apart filter drier for suction line service ideal for commercial refrigeration applications.

FEATURES

- Full flow fittings for low pressure drop
- Corrosion resistant brass body with stainless steel bolts
- Special cartridge design exclusive to brass shell

SPECIFICATIONS

Filtration40 microns with core
 Maximum Working Pressure..... 400 psig (28 bar)
 UL/CUL File Number SA3124
 Canadian CRN0E21971.513467890YTN

MODEL NUMBER NOMENCLATURE - EXAMPLE: BTAS 311SV

SERIES	UNIT SIZE	CONNECTION SIZE	TYPE	SEQUENTIAL IDENTIFIER	CUSTOMER SPECIAL	PACK TYPE
BTAS	3	11	SV			
Brass Take-Apart Suction Line Filter Driers	Nominal Shell Diameter In Inches	In 1/8" Increments	SV = Suction Line Service	S = ODF (Omit for SAE)	Blank Thru -99	G = Customer Special (Omit for Standard)

BTAS SERIES TAKE-APART FILTER DRIERS AND CORES

UNIT SIZE (DIAMETER IN INCHES)	INLET X OUTLET CONNECTION SIZE	MODEL NUMBER	ITEM NUMBER
2	7/8" X 7/8" ODF	BTAS 27SV	049462
3	1-1/8" X 1-1/8" ODF	BTAS 39SV	049465
3	1-3/8" X 1-3/8" ODF	BTAS 311SV	049466
3	1-5/8" X 1-5/8" ODF	BTAS 313SV	049467
3	2-1/8" X 2-1/8" ODF	BTAS 317SV	049468
4	1-3/8" X 1-3/8" ODF	BTAS 411SV	064169
4	1-5/8" X 1-5/8" ODF	BTAS 413SV	049470
4	2-1/8" X 2-1/8" ODF	BTAS 417SV	049471
4	2-5/8" X 2-5/8" ODF	BTAS 421SV	049472
5	2-1/8" X 2-1/8" ODF	BTAS 517SV	049473
5	2-5/8" X 2-5/8" ODF	BTAS 521SV	049474
5	3-1/8" X 3-1/8" ODF	BTAS 525SV	049475

BTAS models are shipped without filter cartridge or Filter Drier cartridge.

TYPE A-F REPLACEABLE FILTER CARTRIDGES

FOR SHELL NO.	CORE O.D.	CORE LENGTH	FILTER AREA (SQUARE IN.)	WEIGHT (LBS)	MODEL NUMBER	ITEM NUMBER
BTAS 2	1 29/32	6 3/8	66	0.33	A2 F	049479
BTAS 3	2 3/4	6 7/8	115	0.50	A3 F	049480
BTAS 4	3 3/4	7 1/2	189	0.88	A4 F	049481
BTAS 5	4 5/16	8 1/2	270	1.00	A5 F	049482

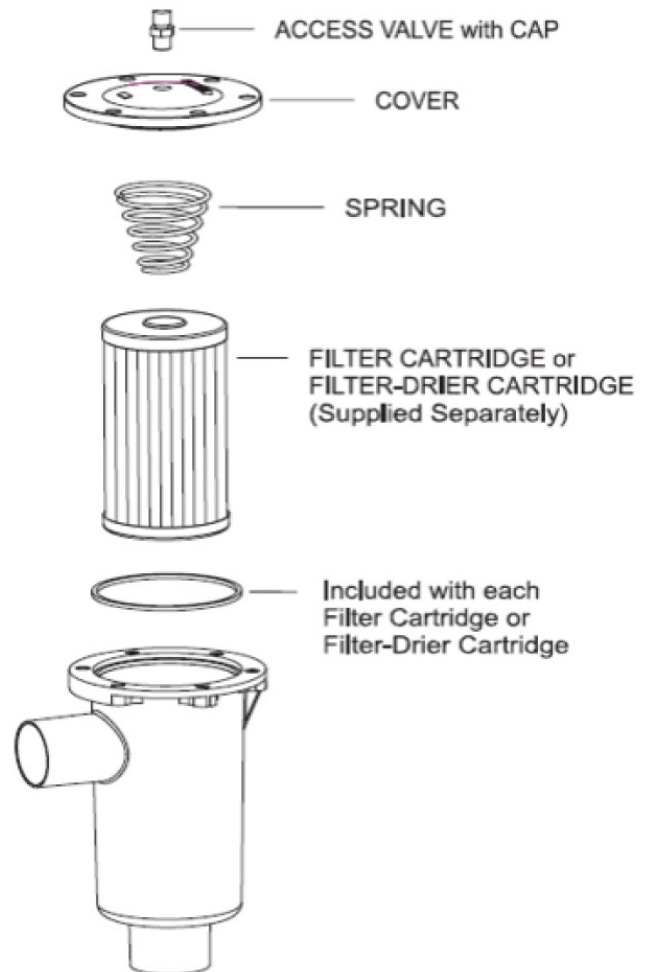
TYPE A-F-D REPLACEABLE FILTER DRIER CARTRIDGES

FOR SHELL NO.	CARTRIDGE O.D.	CARTRIDGE LENGTH	DESICCANT VOLUME (CUBIC IN.)	WEIGHT (LBS)	MODEL NUMBER	ITEM NUMBER
BTAS 2	1 29/32	6 3/8	4.2	0.50	A2 FD	049483
BTAS 3	2 3/4	6 7/8	13.3	0.88	A3 FD	049484
BTAS 4	3 3/4	7 1/2	26.0	1.20	A4 FD	049485
BTAS 5	4 5/16	8 1/2	36.5	1.20	A5 FD	049486

BTAS SERIES REPLACEMENT PARTS*

DESCRIPTION	MODEL NUMBER	ITEM NUMBER
Access Valve	X-11562-2	037409
BTAS 2 Repair Kit*	KD-30519-2	065970
BTAS 3 Repair Kit*	KD-30519-3	065971
BTAS 4 Repair Kit*	KD-30519-4	065972
BTAS 5 Repair Kit*	KD-30519-5	065973
BTAS 2 Seal Ring Kit	KD-40015-1	066430
BTAS 3 Seal Ring Kit	KD-40015-2	066431
BTAS 4 Seal Ring Kit	KD-40015-3	066432
BTAS 5 Seal Ring Kit	KD-40015-4	066433

* Repair kits contain cover bolts, cover, spring and seal ring.



Capacity
Tables



ASD 35S5VV

ASD SERIES PREMIUM HERMETIC SUCTION LINE FILTER DRIERS

The ASD is a premium beaded suction line filter drier optimized for high moisture, acid, and solid contaminant removal.

FEATURES

- Outstanding filtration for ultimate compressor protection
- Dual access valves for easy pressure readings
- Solid copper connections
- Corrosion resistant epoxy powder paint finish

SPECIFICATIONS

Filtration 40 microns
 Maximum Working Pressure..... 500 psig (35 bar)
 UL/CUL File Number SA3124
 Canadian CRN 0E21971.513467890YTN

MODEL NUMBER NOMENCLATURE - EXAMPLE: ASD 35S5VV

SERIES	UNIT SIZE	CONNECTION STYLE	CONNECTION SIZE	ACCESS	SEQUENTIAL IDENTIFIER	CUSTOMER SPECIAL	PACK TYPE
ASD	35	S	5	VV			
Premium Hermetic Suction Line Filter Driers	In Cubic In.	S = ODF F = SAE	In 1/8" Increments	VV = Dual Access Valves	Blank Thru -99	G = Customer Special (Omit for Standard)	B1 = Bulk Pack (Omit for Individual Pack)

ASD SERIES SUCTION LINE FILTER DRIER

UNIT SIZE (CUBIC INCHES)	INLET X OUTLET CONNECTION SIZE	ACCESS	MODEL NUMBER	ITEM NUMBER
28	3/8" X 3/8" ODF	Dual	ASD 28S3VV	049168
28	3/8" X 3/8" SAE	None	ASD 28F3	056352
28	1/2" X 1/2" ODF	Dual	ASD 28S4VV	049169
35	5/8" X 5/8" SAE	Dual	ASD 35F5VV	049170
35	5/8" X 5/8" ODF	Dual	ASD 35S5VV	049171
45	3/4" X 3/4" ODF	Dual	ASD 45S6VV	049172
45	7/8" X 7/8" ODF	Dual	ASD 45S7VV	049173
50	1-1/8" X 1-1/8" ODF	Dual	ASD 50S9VV	049174
75	1-3/8" X 1-3/8" ODF	Dual	ASD 75S11VV	049175
75	1-5/8" X 1-5/8" ODF	Dual	ASD 75S13VV	049176



Capacity
Tables



SFD 13S5VV

SFD SERIES HERMETIC SUCTION LINE FILTER DRIERS

The SFD is a standard suction line beaded filter drier for use air conditioning, heat pump and refrigeration applications.

FEATURES

- Solid copper connections
- Dual access valves for easy pressure readings
- Corrosion resistant epoxy powder paint finish

SPECIFICATIONS

Filtration 40 microns
 Maximum Working Pressure..... 500 psig (35 bar)
 UL/CUL File Number SA3124
 Canadian CRN0E21971.513467890YTN

MODEL NUMBER NOMENCLATURE - Example: SFD 13S5VV

SERIES	UNIT SIZE	CONNECTION STYLE	CONNECTION SIZE	ACCESS TYPE	SEQUENTIAL IDENTIFIER	CUSTOMER SPECIAL	PACK TYPE
SFD	13	S	5	VV			
Steel Take-Apart Series	In Cubic In.	S = ODF F = SAE	In 1/8" Increments	VV = Dual Access Valves	Blank Thru -99	G = Customer Special (Omit for Standard)	B1 = Bulk Pack (Omit for Individual Pack)

SFD SERIES HERMETIC SUCTION LINE FILTER DRIERS

UNIT SIZE (CUBIC INCHES)	INLET X OUTLET CONNECTION SIZE	ACCESS TYPE	MODEL NUMBER	ITEM NUMBER
8	1/2" X 1/2" ODF	Dual	SFD 08S4VV	064045
8	5/8" X 5/8" ODF	Dual	SFD 08S5VV	064046
8	3/4" X 3/4" ODF	Dual	SFD 08S6VV	064047
13	3/8" X 3/8" ODF	Dual	SFD 13S3VV	060245
13	3/8" X 3/8" SAE	Dual	SFD 13F3VV	060244
13	1/2" X 1/2" ODF	Dual	SFD 13S4VV	060247
13	1/2" X 1/2" SAE	Dual	SFD 13F4VV	060246
13	5/8" X 5/8" ODF	Dual	SFD 13S5VV	060249
13	5/8" X 5/8" SAE	Dual	SFD 13F5VV	060248
13	3/4" X 3/4" ODF	Dual	SFD 13S6VV	060250
13	7/8" X 7/8" ODF	Dual	SFD 13S7VV	060262
27	3/4" X 3/4" ODF	Dual	SFD 27S6VV	056505
27	7/8" X 7/8" ODF	Dual	SFD 27S7VV	060251
27	1-1/8" X 1-1/8" ODF	Dual	SFD 27S9VV	060252
54	1-3/8" X 1-3/8" ODF	Dual	SFD 54S11VV	060253
54	1-5/8" X 1-5/8" ODF	Dual	SFD 54S13VV	060254



Capacity
Tables



CSFD 14S7VV

CSFD SERIES HERMETIC COMPACT SUCTION LINE FILTER DRIERS

The CSFD is a hermetic suction line filter drier used for moisture, acid and solid contaminant removal.

FEATURES

- Dual access valves for easy pressure readings
- High acid removal capacity
- Solid copper fittings for easy brazing
- Corrosion resistant epoxy powder paint finish

SPECIFICATIONS

Filtration 40 microns
 Maximum Working Pressure..... 500 psig (35 bar)
 UL/CUL File Number SA3124
 Canadian CRN 0E21971.513467890YTN

MODEL NUMBER NOMENCLATURE - Example: CSFD 14S4VV

SERIES	UNIT SIZE	CONNECTION STYLE	CONNECTION SIZE	ACCESS	SEQUENTIAL IDENTIFIER	CUSTOMER SPECIAL	PACK TYPE
CSFD	14	S	4	VV			
Hermetic Suction Line Filter Driers	In Cubic In.	S = ODF	In 1/8" Increments	VV = Dual Access Valve	Blank Thru -99	G = Customer Special (Omit for Standard)	B1 = Bulk Pack (Omit for Individual Pack)

CSFD COMPACT SERIES SUCTION LINE FILTER DRIERS

UNIT SIZE (CUBIC INCHES)	INLET X OUTLET CONNECTION SIZE	ACCESS TYPE	MODEL NUMBER	ITEM NUMBER
14	1/2" X 1/2" ODF	Dual	CSFD 14S4VV	062231
14	5/8" X 5/8" ODF	Dual	CSFD 14S5VV	062232
14	3/4" X 3/4" ODF	Dual	CSFD 14S6VV	062233
14	7/8" X 7/8" ODF	Dual	CSFD 14S7VV	062234
14	1-1/8" X 1-1/8" ODF	Dual	CSFD 14S9VV	062235



Capacity
Tables



ASK 306SVVHH

ASK SERIES HERMETIC SUCTION LINE FILTER DRIERS

The ASK is a refrigerant filter drier that utilizes a solid core with an activated carbon blend to maximize acid, moisture and wax removal.

FEATURES

- Dual access valves for easy pressure readings
- Corrosion resistant epoxy powder paint finish
- Activated carbon blend for soluble contaminant and wax
- Solid copper connections

SPECIFICATIONS

Filtration 40 microns
 Maximum Working Pressure..... 500 psig (35 bar)
 UL/CUL File Number SA3124
 Canadian CRN0E21971.513467890YTN

MODEL NUMBER NOMENCLATURE - Example: ASK 306SVVHH

SERIES	UNIT SIZE	CONNECTION SIZE	CONNECTION STYLE	ACCESS	DESICCANT TYPE	SEQUENTIAL IDENTIFIER	CUSTOMER SPECIAL	PACK TYPE
ASK	30	6	S	VV	HH			
Hermetic Suction Line Filter Driers	In Cubic In.	In 1/8" Increments	S = ODF	VV = Dual Access Valves	HH = Activated Carbon	Blank Thru -99	G = Customer Special (Omit for Standard)	B1 = Bulk Pack (Omit for Individual Pack)

ASK SERIES SUCTION LINE FILTER DRIER

UNIT SIZE (CUBIC INCHES)	INLET X OUTLET CONNECTION SIZE	ACCESS	MODEL NUMBER	ITEM NUMBER
16	5/8" X 5/8" ODF	Dual	ASK 165SVVHH	056508
16	3/4" X 3/4" ODF	Dual	ASK 166SVVHH	056509
16	7/8" X 7/8" ODF	Dual	ASK 167SVVHH	056510
30	3/4" X 3/4" ODF	Dual	ASK 306SVVHH	056511
30	7/8" X 7/8" ODF	Dual	ASK 307SVVHH	056512
30	1-1/8" X 1-1/8" ODF	Dual	ASK 309SVVHH	056513



Capacity
Tables



ASF 45S6VV

ASF SERIES HERMETIC SUCTION LINE FILTERS

The ASF is a refrigerant filter drier designed to protect the compressor from dirt and all solid contaminants.

FEATURES

- Dual access valves for easy pressure readings
- Solid copper connections
- Corrosion resistant epoxy powder paint finish

SPECIFICATIONS

Filtration 40 microns
 Maximum Working Pressure..... 500 psig (35 bar)
 UL/CUL File Number SA3124
 Canadian CRN0E21971.513467890YTN

MODEL NUMBER NOMENCLATURE - Example: ASF 35S5VV

SERIES	UNIT SIZE	CONNECTION STYLE	CONNECTION SIZE	ACCESS	SEQUENTIAL IDENTIFIER	CUSTOMER SPECIAL	PACK TYPE
ASF	35	S	5	VV			
Hermetic Suction Line Filter Driers	In Cubic In.	S = ODF F = SAE	In 1/8" Increments	VV = Dual Access Valves	Blank Thru -99	G = Customer Special (Omit for Standard)	B1 = Bulk Pack (Omit for Individual Pack)

ASF SERIES SUCTION LINE FILTERS

UNIT SIZE (CUBIC INCHES)	INLET X OUTLET CONNECTION SIZE	ACCESS TYPE	MODEL NUMBER	ITEM NUMBER
11	1/2" X 1/2" ODF	None	ASF 11S4	062961
11	5/8" X 5/8" ODF	None	ASF 11S5	062962
28	3/8" X 3/8" ODF	Dual	ASF 28S3VV	049177
28	1/2" X 1/2" ODF	Dual	ASF 28S4VV	049178
28	7/8" X 7/8" ODF	Dual	ASF 28S7VV	062963
28	1-1/8" X 1-1/8" ODF	Dual	ASF 28S9VV	062964
35	5/8" X 5/8" ODF	Dual	ASF 35S5VV	049180
35	5/8" X 5/8" SAE	Dual	ASF 35F5VV	049179
45	3/8" X 3/8" SAE	Dual	ASF 45F3VV	059999
45	3/4" X 3/4" ODF	Dual	ASF 45S6VV	049181
45	7/8" X 7/8" ODF	Dual	ASF 45S7VV	049182
50	1-1/8" X 1-1/8" ODF	Dual	ASF 50S9VV	049183
64	2-1/8" X 2-1/8" ODF	Single	ASF 64S17V	063113
64	2-5/8" X 2-5/8" ODF	Single	ASF 64S21V	063115
75	1-3/8" X 1-3/8" ODF	Dual	ASF 75S11VV	049184
75	1-5/8" X 1-5/8" ODF	Dual	ASF 75S13VV	049185



Capacity
Tables

HERMETIC SUCTION LINE FILTER DRIER FLOW CAPACITIES

MODEL NUMBER	CONNECTIONS (IN)	FLOW CAPACITY IN TONS REFRIGERANT ¹ (FOR KW, MULTIPLY TONS BY 3.5) ²											
		R-12				R-134a / R-450A / R-513A				R-744			
		EVAPORATOR TEMPERATURE (°F)											
		40	20	0	-20	40	20	0	-20	20	0	-20	-40
		PRESSURE DROP (PSI)											
		2.0	1.5	1.0	0.5	2.0	1.5	1.0	0.5	6.0	5.0	4.0	3.0
ASD 28S3VV	3/8 ODF	1.1	0.6	0.5	0.5	1.1	0.6	0.5	0.4	7.2	6.3	6.8	8.5
ASD 28S4VV	1/2 ODF	1.8	1.2	0.8	0.7	1.9	1.2	0.8	0.6	11.8	10.2	10.6	14.2
ASD 35F5VV	5/8 SAE	2.1	1.4	1.1	0.9	2.2	1.4	1.0	0.8	13.7	12.2	12.9	17.0
ASD 35S5VV	5/8 ODF	2.8	1.9	1.4	1.1	2.9	1.9	1.3	1.0	18.1	15.6	16.7	22.7
ASD 45S6VV	3/4 ODF	3.8	2.5	1.8	1.2	3.9	2.5	1.7	1.1	21.8	22.4	24.2	28.4
ASD 45S7VV	7/8 ODF	5.0	3.6	2.3	1.5	5.1	3.5	2.2	1.3	28.7	29.2	31.1	36.9
ASD 50S9VV	1-1/8 ODF	7.1	5.0	3.2	1.8	7.3	4.9	3.0	1.6	41.1	41.3	43.2	49.6
ASD 75S11VV	1-3/8 ODF	8.6	5.9	3.7	2.0	8.8	5.8	3.5	1.8	50.5	49.6	50.8	56.7
ASD 75S13VV	1-5/8 ODF	9.0	6.2	3.9	2.1	9.3	6.1	3.7	1.9	53.9	52.0	53.0	59.6
ASF 28S3VV	3/8 ODF	1.2	0.8	0.5	0.5	1.2	0.8	0.5	0.4	7.5	6.3	6.8	9.9
ASF 28S4VV	1/2 ODF	1.9	1.3	0.9	0.8	2.0	1.3	0.9	0.7	12.8	11.2	12.1	17.0
ASF 35F5VV	5/8 SAE	2.2	1.5	1.1	0.9	2.3	1.5	1.0	0.8	14.6	12.6	13.6	18.4
ASF 35S5VV	5/8 ODF	3.2	2.2	1.6	1.4	3.3	2.2	1.5	1.2	20.6	18.0	19.7	26.9
ASF 45S6VV	3/4 ODF	4.7	3.2	2.3	1.8	4.8	3.1	2.2	1.6	30.5	26.7	28.0	38.3
ASF 45S7VV	7/8 ODF	6.5	4.8	3.3	1.9	6.7	4.7	3.1	1.7	37.4	38.9	42.4	51.0
ASF 50S9VV	1-1/8 ODF	9.2	6.8	4.5	2.6	9.5	6.7	4.3	2.3	59.2	58.3	62.1	69.5
ASF 64S17VV	2-1/8 ODF	25.3	18.3	12.6	7.2	26.0	18.0	12.0	6.4	127.8	131.2	144.0	170.2
ASF 75S11VV	1-3/8 ODF	11.7	8.8	5.9	3.4	12.0	8.7	5.6	3.0	49.9	72.9	83.4	95.0
ASF 75S13VV	1-5/8 ODF	13.6	9.7	6.6	3.8	14.0	9.5	6.3	3.4	74.8	72.9	75.8	92.2
ASK 165S-VVHH	5/8 ODF	1.9	1.4	0.8	0.6	2.0	1.4	0.8	0.5	10.6	10.2	10.6	12.8
ASK 166SVVHH	3/4 ODF	2.4	1.7	1.1	0.7	2.5	1.7	1.0	0.6	13.1	12.6	12.9	14.2
ASK 167SVVHH	7/8 ODF	2.6	1.8	1.2	0.7	2.7	1.8	1.1	0.6	14.3	13.6	14.4	15.6
ASK 306SVVHH	3/4 ODF	3.3	2.3	1.5	0.9	3.4	2.3	1.4	0.8	17.1	17.0	17.4	19.9
ASK 307SVVHH	7/8 ODF	3.5	2.5	1.6	0.9	3.6	2.5	1.5	0.8	19.0	18.5	18.9	21.3
ASK 309SVVHH	1-1/8 ODF	3.8	2.6	1.7	0.9	3.9	2.6	1.6	0.8	20.3	19.4	19.7	22.7
CSFD 14S4VV	1/2 ODF	1.3	0.9	0.5	0.3	1.3	0.9	0.5	0.3	6.2	6.3	6.8	8.5
CSFD 14S5VV	5/8 ODF	2.2	1.5	0.9	0.6	2.3	1.5	0.9	0.5	11.2	11.7	12.1	14.2
CSFD 14S6VV	3/4 ODF	3.0	2.1	1.3	0.8	3.1	2.1	1.3	0.7	15.3	15.6	16.7	19.9
CSFD 14S7VV	7/8 ODF	3.2	2.2	1.5	0.8	3.3	2.2	1.4	0.7	16.2	16.5	17.4	21.3
CSFD 14S9VV	1-1/8 ODF	4.4	3.1	1.9	1.1	4.5	3.0	1.8	1.0	21.8	22.4	23.5	28.4
SFD 13F3VV	3/8 SAE	0.7	0.4	0.2	0.1	0.7	0.4	0.2	0.1	4.4	3.9	3.0	2.8
SFD 13S3VV	3/8 ODF	1.3	0.8	0.5	0.2	1.3	0.8	0.5	0.2	6.9	6.3	6.1	7.1
SFD 13F4VV	1/2 SAE	1.5	1.0	0.6	0.3	1.5	1.0	0.6	0.3	7.5	7.8	8.3	9.9
SFD 13S4VV	1/2 ODF	2.2	1.5	1.1	0.6	2.3	1.5	1.0	0.5	10.9	11.2	12.1	14.2
SFD 13F5VV	5/8 SAE	2.4	1.7	1.2	0.7	2.5	1.7	1.1	0.6	11.5	11.7	12.1	14.2
SFD 13S5VV	5/8 ODF	3.0	2.1	1.4	0.8	3.1	2.1	1.3	0.7	15.3	15.6	16.7	19.9
SFD 13S6VV	3/4 ODF	4.0	2.7	1.8	1.0	4.1	2.7	1.7	0.9	19.9	20.4	21.2	25.5
SFD 13S7VV	7/8 ODF	4.3	3.1	2.0	1.1	4.4	3.0	1.9	1.0	22.4	22.4	22.7	26.9
SFD 27S6VV	3/4 ODF	4.0	2.7	1.8	1.0	4.1	2.7	1.7	0.9	19.9	20.4	21.2	25.5
SFD 27S7VV	7/8 ODF	4.6	3.2	2.0	1.1	4.7	3.1	1.9	1.0	23.4	23.3	24.2	28.4
SFD 27S9VV	1-1/8 ODF	5.1	3.5	2.1	1.1	5.2	3.4	2.0	1.0	26.5	26.2	26.5	29.8
SFD 54S11VV	1-3/8 ODF	4.4	2.9	1.8	1.0	4.5	2.9	1.7	0.9	22.8	22.4	22.7	25.5
SFD 54S13VV	1-5/8 ODF	4.5	3.1	1.9	1.0	4.6	3.0	1.8	0.9	23.1	22.8	24.2	28.4

¹ All ratings in accordance with ARI Standard 730-04.

² Example: 1.0 tons x 3.5 = 3.5 kW

HERMETIC SUCTION LINE FILTER DRIER FLOW CAPACITIES

MODEL NUMBER	CONNECTIONS (IN)	FLOW CAPACITY IN TONS REFRIGERANT ¹ (FOR KW, MULTIPLY TONS BY 3.5) ²														
		R-22 / R-448A / R-449A					R-407C					R-410A				
		EVAPORATOR TEMPERATURE (°F)														
		40	20	0	-20	-40	40	20	0	-20	-40	40	20	0	-20	-40
		PRESSURE DROP (PSI)														
		3.0	2.0	1.5	1.0	0.5	3.0	2.0	1.5	1.0	0.5	3.0	2.0	1.5	1.0	0.5
ASD 28S3VV	3/8 ODF	2.3	1.3	0.9	0.6	0.5	2.1	1.2	0.8	0.5	0.4	2.8	1.6	1.1	0.7	0.6
ASD 28S4VV	1/2 ODF	3.8	2.1	1.4	1.0	0.8	3.5	1.9	1.2	0.9	0.7	4.6	2.6	1.7	1.2	1.0
ASD 35F5VV	5/8 SAE	4.4	2.5	1.7	1.2	0.9	4.1	2.3	1.5	1.0	0.7	5.3	3.0	2.1	1.5	1.1
ASD 35S5VV	5/8 ODF	5.8	3.2	2.2	1.6	1.0	5.4	2.9	1.9	1.4	0.8	7.0	3.9	2.7	2.0	1.3
ASD 45S6VV	3/4 ODF	7.0	4.6	3.2	2.0	1.1	6.5	4.2	2.8	1.7	0.9	8.5	5.6	3.9	2.5	1.4
ASD 45S7VV	7/8 ODF	9.2	6.0	4.1	2.6	1.4	8.5	5.5	3.6	2.3	1.2	11.2	7.3	5.0	3.2	1.8
ASD 50S9VV	1-1/8 ODF	13.2	8.5	5.7	3.5	1.8	12.2	7.7	5.0	3.1	1.5	16.0	10.3	7.0	4.3	2.3
ASD 75S11VV	1-3/8 ODF	16.2	10.2	6.7	4.0	2.0	15.0	9.3	5.9	3.5	1.7	19.6	12.4	8.2	5.0	2.5
ASD 75S13VV	1-5/8 ODF	17.3	10.7	7.0	4.2	2.1	16.0	9.7	6.2	3.7	1.7	21.0	13.0	8.6	5.2	2.6
ASF 28S3VV	3/8 ODF	2.4	1.3	0.9	0.7	0.5	2.2	1.2	0.8	0.6	0.4	2.9	1.6	1.1	0.9	0.6
ASF 28S4VV	1/2 ODF	4.1	2.3	1.6	1.2	0.9	3.8	2.1	1.4	1.0	0.7	5.0	2.8	2.0	1.5	1.1
ASF 35F5VV	5/8 SAE	4.7	2.6	1.8	1.3	1.0	4.4	2.4	1.6	1.1	0.8	5.7	3.2	2.2	1.6	1.3
ASF 35S5VV	5/8 ODF	6.6	3.7	2.6	1.9	1.6	6.1	3.4	2.3	1.7	1.3	8.0	4.5	3.2	2.4	2.0
ASF 45S6VV	3/4 ODF	9.8	5.5	3.7	2.7	2.2	9.1	5.0	3.3	2.4	1.8	11.9	6.7	4.5	3.4	2.8
ASF 45S7VV	7/8 ODF	12.0	8.0	5.6	3.6	3.0	11.1	7.3	5.0	3.1	2.5	14.6	9.7	6.9	4.5	3.8
ASF 50S9VV	1-1/8 ODF	19.0	12.0	8.2	4.9	2.6	17.6	10.9	7.3	4.3	2.2	23.0	14.6	10.1	6.1	3.3
ASF 64S17VV	2-1/8 ODF	41.0	27.0	19.0	12.0	6.9	38.0	24.5	16.8	10.5	5.7	49.7	32.8	23.3	14.9	8.6
ASF 75S11VV	1-3/8 ODF	16.0	15.0	11.0	6.7	3.3	14.8	13.6	9.7	5.8	2.7	19.4	18.2	13.5	8.3	4.1
ASF 75S13VV	1-5/8 ODF	24.0	15.0	10.0	6.5	3.2	22.2	13.6	8.9	5.7	2.7	29.1	18.2	12.3	8.1	4.0
ASK 165S-VVHH	5/8 ODF	3.4	2.1	1.4	0.9	0.4	3.2	1.9	1.2	0.8	0.3	4.1	2.6	1.7	1.1	0.5
ASK 166S-VVHH	3/4 ODF	4.2	2.6	1.7	1.0	0.5	3.9	2.4	1.5	0.9	0.4	5.1	3.2	2.1	1.2	0.6
ASK 167S-VVHH	7/8 ODF	4.6	2.8	1.9	1.1	0.6	4.3	2.5	1.7	1.0	0.5	5.6	3.4	2.3	1.4	0.8
ASK 306S-VVHH	3/4 ODF	5.5	3.5	2.3	1.4	0.8	5.1	3.2	2.0	1.2	0.7	6.7	4.3	2.8	1.7	1.0
ASK 307S-VVHH	7/8 ODF	6.1	3.8	2.5	1.5	0.8	5.7	3.5	2.2	1.3	0.7	7.4	4.6	3.1	1.9	1.0
ASK 309S-VVHH	1-1/8 ODF	6.5	4.0	2.6	1.6	0.8	6.0	3.6	2.3	1.4	0.7	7.9	4.9	3.2	2.0	1.0
CSFD 14S4VV	1/2 ODF	2.0	1.3	0.9	0.6	0.3	1.9	1.2	0.8	0.5	0.2	2.4	1.6	1.1	0.7	0.4
CSFD 14S5VV	5/8 ODF	3.6	2.4	1.6	1.0	0.5	3.3	2.2	1.4	0.9	0.4	4.4	2.9	2.0	1.2	0.6
CSFD 14S6VV	3/4 ODF	4.9	3.2	2.2	1.4	0.7	4.5	2.9	1.9	1.2	0.6	5.9	3.9	2.7	1.7	0.9
CSFD 14S7VV	7/8 ODF	5.2	3.4	2.3	1.5	0.8	4.8	3.1	2.0	1.3	0.7	6.3	4.1	2.8	1.9	1.0
CSFD 14S9VV	1-1/8 ODF	7.0	4.6	3.1	2.0	1.0	6.5	4.2	2.7	1.7	0.8	8.5	5.6	3.8	2.5	1.3
SFD 13F3VV	3/8 SAE	1.4	0.8	0.4	0.2	0.1	1.3	0.7	0.4	0.2	0.1	1.7	1.0	0.5	0.2	0.1
SFD 13S3VV	3/8 ODF	2.2	1.3	0.8	0.5	0.2	2.0	1.2	0.7	0.4	0.2	2.7	1.6	1.0	0.6	0.3
SFD 13F4VV	1/2 SAE	2.4	1.6	1.1	0.7	0.4	2.2	1.5	1.0	0.6	0.3	2.9	1.9	1.3	0.9	0.5
SFD 13S4VV	1/2 ODF	3.5	2.3	1.6	1.0	0.6	3.2	2.1	1.4	0.9	0.5	4.2	2.8	2.0	1.2	0.8
SFD 13F5VV	5/8 SAE	3.7	2.4	1.6	1.0	0.6	3.4	2.2	1.4	0.9	0.5	4.5	2.9	2.0	1.2	0.8
SFD 13S5VV	5/8 ODF	4.9	3.2	2.2	1.4	0.8	4.5	2.9	1.9	1.2	0.7	5.9	3.9	2.7	1.7	1.0
SFD 13S6VV	3/4 ODF	6.4	4.2	2.8	1.8	1.0	5.9	3.8	2.5	1.6	0.8	7.8	5.1	3.4	2.2	1.3
SFD 13S7VV	7/8 ODF	7.2	4.6	3.0	1.9	1.0	6.7	4.2	2.7	1.7	0.8	8.7	5.6	3.7	2.4	1.3
SFD 27S6VV	3/4 ODF	6.4	4.2	2.8	1.8	1.0	5.9	3.8	2.5	1.6	0.8	7.8	5.1	3.4	2.2	1.3
SFD 27S7VV	7/8 ODF	7.5	4.8	3.2	2.0	1.1	7.0	4.4	2.8	1.7	0.9	9.1	5.8	3.9	2.5	1.4
SFD 27S9VV	1-1/8 ODF	8.5	5.4	3.5	2.1	1.1	7.9	4.9	3.1	1.8	0.9	10.3	6.6	4.3	2.6	1.4
SFD 54S11VV	1-3/8 ODF	7.3	4.6	3.0	1.8	1.0	6.8	4.2	2.7	1.6	0.8	8.9	5.6	3.7	2.2	1.3
SFD 54S13VV	1-5/8 ODF	7.4	4.7	3.2	2.0	1.0	6.9	4.3	2.8	1.7	0.8	9.0	5.7	3.9	2.5	1.3

¹ All ratings in accordance with ARI Standard 730-04.

² Example: 1.0 tons x 3.5 = 3.5 kW

HERMETIC SUCTION LINE FILTER DRIER FLOW CAPACITIES

MODEL NUMBER	CONNECTIONS (IN)	FLOW CAPACITY IN TONS REFRIGERANT ¹ (FOR KW, MULTIPLY TONS BY 3.5) ²									
		R-502					R-404A / R-507				
		EVAPORATOR TEMPERATURE (°F)									
		40	20	0	-20	40	20	0	-20	-40	
		PRESSURE DROP (PSI)									
		3.0	2.0	1.5	1.0	3.0	2.0	1.5	1.0	0.5	
ASD 28S3VV	3/8 ODF	2.2	1.1	0.7	0.5	2.1	1.1	0.7	0.5	0.3	
ASD 28S4VV	1/2 ODF	3.7	1.8	1.1	0.7	3.6	1.8	1.1	0.7	0.5	
ASD 35F5VV	5/8 SAE	4.2	2.1	1.3	0.9	4.1	2.1	1.3	0.9	0.6	
ASD 35S5VV	5/8 ODF	5.6	2.8	1.7	1.1	5.4	2.8	1.7	1.1	0.8	
ASD 45S6VV	3/4 ODF	6.6	3.7	2.5	1.5	6.4	3.7	2.5	1.6	1.0	
ASD 45S7VV	7/8 ODF	7.7	4.8	3.3	1.9	7.5	4.8	3.3	2.0	1.1	
ASD 50S9VV	1-1/8 ODF	11.0	6.9	4.6	2.7	11.0	6.9	4.6	2.8	1.4	
ASD 75S11VV	1-3/8 ODF	14.0	8.4	5.4	3.1	14.0	8.4	5.4	3.2	1.6	
ASD 75S13VV	1-5/8 ODF	15.0	8.9	5.7	3.3	15.0	8.9	5.7	3.4	1.7	
ASF 28S3VV	3/8 ODF	2.3	1.1	0.7	0.5	2.2	1.1	0.7	0.5	0.3	
ASF 28S4VV	1/2 ODF	3.9	2.0	1.2	0.8	3.8	2.0	1.2	0.8	0.6	
ASF 35F5VV	5/8 SAE	4.5	2.3	1.4	0.9	4.4	2.3	1.4	0.9	0.7	
ASF 35S5VV	5/8 ODF	6.3	3.2	2.0	1.4	6.1	3.2	2.0	1.4	1.0	
ASF 45S6VV	3/4 ODF	9.4	4.7	2.9	1.8	9.1	4.7	2.9	1.9	1.4	
ASF 45S7VV	7/8 ODF	10.0	6.3	4.5	2.7	9.8	6.3	4.5	2.8	1.5	
ASF 50S9VV	1-1/8 ODF	16.0	10.0	6.6	3.9	16.0	10.0	6.7	4.0	2.0	
ASF 64S17VV	2-1/8 ODF	36.0	23.0	15.0	9.5	35.0	23.0	15.0	9.8	5.2	
ASF 75S11VV	1-3/8 ODF	21.0	13.0	8.2	4.9	20.0	13.0	8.3	5.1	2.6	
ASF 75S13VV	1-5/8 ODF	22.0	13.0	8.3	5.0	21.0	13.0	8.4	5.2	2.7	
ASK 165S-VVHH	5/8 ODF	3.3	1.9	1.2	0.8	3.2	1.9	1.2	0.8	0.3	
ASK 166S-VVHH	3/4 ODF	4.0	2.4	1.6	0.9	3.9	2.4	1.6	0.9	0.5	
ASK 167S-VVHH	7/8 ODF	4.4	2.6	1.7	1.0	4.3	2.6	1.7	1.0	0.6	
ASK 306S-VVHH	3/4 ODF	5.2	3.2	2.2	1.2	5.0	3.2	2.2	1.2	0.7	
ASK 307S-VVHH	7/8 ODF	5.8	3.5	2.3	1.4	5.6	3.5	2.3	1.4	0.7	
ASK 309S-VVHH	1-1/8 ODF	6.2	3.7	2.4	1.4	6.0	3.7	2.4	1.5	0.7	
CSFD 14S4VV	1/2 ODF	1.3	0.8	0.5	0.3	1.3	0.8	0.5	0.3	0.2	
CSFD 14S5VV	5/8 ODF	2.7	1.7	1.1	0.7	2.6	1.7	1.1	0.7	0.3	
CSFD 14S6VV	3/4 ODF	3.7	2.3	1.5	0.9	3.6	2.3	1.5	0.9	0.5	
CSFD 14S7VV	7/8 ODF	4.0	2.4	1.6	1.0	3.9	2.4	1.6	1.0	0.5	
CSFD 14S9VV	1-1/8 ODF	5.1	3.1	2.0	1.3	4.9	3.1	2.0	1.3	0.7	
SFD 13F3VV	3/8 SAE	1.3	0.7	0.4	0.2	1.3	0.7	0.4	0.2	0.1	
SFD 13S3VV	3/8 ODF	2.0	1.1	0.7	0.4	1.9	1.1	0.7	0.4	0.2	
SFD 13F4VV	1/2 SAE	2.2	1.3	0.9	0.5	2.1	1.3	0.9	0.5	0.3	
SFD 13S4VV	1/2 ODF	3.1	1.9	1.3	0.8	3.0	1.9	1.3	0.8	0.4	
SFD 13F5VV	5/8 SAE	3.3	2.0	1.4	0.9	3.2	2.0	1.4	0.9	0.5	
SFD 13S5VV	5/8 ODF	4.3	2.7	1.8	1.1	4.2	2.7	1.8	1.1	0.6	
SFD 13S6VV	3/4 ODF	5.8	3.5	2.3	1.4	5.6	3.5	2.3	1.4	0.7	
SFD 13S7VV	7/8 ODF	6.5	3.9	2.6	1.4	6.3	3.9	2.6	1.5	0.8	
SFD 27S6VV	3/4 ODF	5.8	3.5	2.3	1.4	5.6	3.5	2.3	1.4	0.7	
SFD 27S7VV	7/8 ODF	6.7	4.1	2.7	1.5	6.5	4.1	2.7	1.6	0.8	
SFD 27S9VV	1-1/8 ODF	7.7	4.6	3.0	1.6	7.5	4.6	3.0	1.7	0.9	
SFD 54S11VV	1-3/8 ODF	6.6	3.9	2.5	1.4	6.4	3.9	2.5	1.5	0.7	
SFD 54S13VV	1-5/8 ODF	6.7	4.0	2.6	1.5	6.5	4.0	2.6	1.6	0.8	

¹ All ratings in accordance with ARI Standard 730-04.

² Example: 1.0 tons x 3.5 = 3.5 kW

TAKE-APART SUCTION LINE FILTER DRIER FLOW CAPACITIES

MODEL NUMBER	CONNECTIONS (IN)	FILTER DRIER CARTRIDGE	FLOW CAPACITY IN TONS REFRGERANT, ¹ (FOR KW, MULTIPLY TONS BY 3.5) ₂							
			R-12				R-134a / R-450A / R-513A			
			EVAPORATOR TEMPERATURE (°F)							
			40	20	0	-20	40	20	0	-20
			PRESSURE DROP (PSI)							
2	1.5	1	0.5	2	1.5	1	0.5			
ADKS 30013T	1-5/8 ODF	(3) F 100 Filter	24.0	17.0	12.0	7.0	25.0	17.0	11.0	6.2
ADKS 30017T	2-1/8 ODF	(3) F 100 Filter	42.0	31.0	20.0	12.0	43.0	30.0	19.0	11.0
ADKS 40017T	2-1/8 ODF	(4) F100 Filter	44.0	32.0	21.0	12.0	45.0	31.0	20.0	11.0
ADKS 40021T	2-5/8 ODF	(4) F100 Filter	66.0	48.0	32.0	19.0	68.0	47.0	30.0	17.0
ADKS 30013T	1-5/8 ODF	(3) 100 cu in Core	19.0	14.0	9.1	5.5	20.0	14.0	8.7	4.9
ADKS 30017T	2-1/8 ODF	(3) 100 cu in Core	30.0	22.0	15.0	8.7	31.0	22.0	14.0	7.7
ADKS 40017T	2-1/8 ODF	(4) 100 cu in Core	33.0	23.0	16.0	9.5	34.0	23.0	15.0	8.4
ADKS 40021T	2-5/8 ODF	(4) 100 cu in Core	48.0	35.0	23.0	14.0	49.0	34.0	22.0	12.0
BTAS 27SV	7/8 ODF	A2 F Filter	4.7	3.4	2.2	1.2	4.8	3.3	2.1	1.1
BTAS 39SV	1-1/8 ODF	A3 F Filter	7.1	5.1	3.4	1.9	7.3	5.0	3.2	1.7
BTAS 311SV	1-3/8 ODF	A3 F Filter	7.9	5.6	3.7	2.1	8.1	5.5	3.5	1.9
BTAS 313SV	1-5/8 ODF	A3 F Filter	13.0	8.9	5.9	3.4	13.0	8.8	5.6	3.0
BTAS 317SV	2-1/8 ODF	A3 F Filter	15.0	11.0	7.2	4.2	16.0	11.0	6.9	3.7
BTAS 411SV	1-3/8 ODF	A4 F Filter	17.0	12.0	8.0	4.5	17.0	12.0	7.4	4.0
BTAS 413SV	1-5/8 ODF	A4 F Filter	20.0	15.0	10.0	5.5	21.0	14.0	9.1	4.9
BTAS 417SV	2-1/8 ODF	A4 F Filter	28.0	20.0	13.0	7.5	29.0	20.0	12.0	6.7
BTAS 421SV	2-5/8 ODF	A4 F Filter	34.0	24.0	16.0	9.1	35.0	24.0	15.0	8.1
BTAS 517SV	2-1/8 ODF	A5 F Filter	33.0	24.0	16.0	9.1	34.0	24.0	15.0	8.1
BTAS 521SV	2-5/8 ODF	A5 F Filter	44.0	32.0	21.0	12.0	45.0	31.0	20.0	11.0
BTAS 525SV	3-1/8 ODF	A5 F Filter	54.0	39.0	25.0	15.0	56.0	38.0	24.0	13.0
BTAS 25SV	5/8 ODF	A2 FD Filter Drier	2.4	1.7	1.2	0.7	2.5	1.7	1.1	0.6
BTAS 27SV	7/8 ODF	A2 FD Filter Drier	4.0	2.8	1.9	1.1	4.1	2.8	1.8	1.0
BTAS 39SV	1-1/8 ODF	A3 FD Filter Drier	5.2	3.7	2.4	1.4	5.3	3.6	2.3	1.2
BTAS 311SV	1-3/8 ODF	A3 FD Filter Drier	7.2	5.2	3.4	1.9	7.4	5.1	3.2	1.7
BTAS 313SV	1-5/8 ODF	A3 FD Filter Drier	10.0	7.4	4.8	2.8	11.0	7.3	4.6	2.5
BTAS 317SV	2-1/8 ODF	A3 FD Filter Drier	12.0	8.5	5.7	3.3	12.0	8.4	5.4	2.9
BTAS 411SV	1-3/8 ODF	A4 FD Filter Drier	15.0	11.0	7.0	4.1	15.0	11.0	6.7	3.6
BTAS 413SV	1-5/8 ODF	A4 FD Filter Drier	17.0	12.0	7.2	4.2	16.0	12.0	6.9	3.7
BTAS 417SV	2-1/8 ODF	A4 FD Filter Drier	22.0	16.0	11.0	6.1	23.0	16.0	10.0	5.4
BTAS 421SV	2-5/8 ODF	A4 FD Filter Drier	23.0	17.0	12.0	6.3	24.0	17.0	11.0	5.6
BTAS 517SV	2-1/8 ODF	A5 FD Filter Drier	27.0	19.0	13.0	7.2	28.0	19.0	12.0	6.4
BTAS 521SV	2-5/8 ODF	A5 FD Filter Drier	32.0	23.0	15.0	8.8	33.0	23.0	14.0	7.8
BTAS 525SV	3-1/8 ODF	A5 FD Filter Drier	38.0	27.0	18.0	10.0	39.0	27.0	17.0	9.2
STAS 489SV	1-1/8 ODF	(1) F 48 Filter	13.0	8.0	5.0	2.0	13.0	8.0	5.0	2.0
STAS 4811SV	1-3/8 ODF	(1) F 48 Filter	15.0	10.0	6.0	3.0	15.0	10.0	6.0	3.0
STAS 4813SV	1-5/8 ODF	(1) F 48 Filter	19.0	12.0	7.0	5.0	20.0	12.0	7.0	4.0
STAS 4817SV	2-1/8 ODF	(1) F 48 Filter	24.0	15.0	11.0	6.0	25.0	15.0	10.0	5.0
STAS 4821SV	2-5/8 ODF	(1) F 48 Filter	29.0	20.0	14.0	7.0	30.0	20.0	13.0	6.0
STAS 9617SV	2-1/8 ODF	(2) F 48 Filter	27.0	18.0	11.0	6.0	28.0	18.0	10.0	5.0
STAS 9621SV	2-5/8 ODF	(2) F 48 Filter	37.0	25.0	16.0	8.0	38.0	25.0	15.0	7.0
STAS 9625SV	3-1/8 ODF	(2) F 48 Filter	44.0	30.0	19.0	10.0	45.0	30.0	18.0	8.0
STAS 489SV	1-1/8 ODF	(1) 48 cu in Core	8.0	6.0	4.0	1.0	8.0	6.0	4.0	1.0
STAS 4811SV	1-3/8 ODF	(1) 48 cu in Core	10.0	7.0	4.0	2.0	10.0	7.0	4.0	2.0
STAS 4813SV	1-5/8 ODF	(1) 48 cu in Core	13.0	8.0	5.0	3.0	13.0	8.0	5.0	3.0
STAS 4817SV	2-1/8 ODF	(1) 48 cu in Core	17.0	10.0	7.0	5.0	17.0	10.0	7.0	4.0
STAS 4821SV	2-5/8 ODF	(1) 48 cu in Core	19.0	13.0	8.0	6.0	20.0	13.0	8.0	5.0
STAS 9617SV	2-1/8 ODF	(2) 48 cu in Core	18.0	12.0	6.0	5.0	18.0	12.0	6.0	4.0
STAS 9621SV	2-5/8 ODF	(2) 48 cu in Core	24.0	17.0	11.0	6.0	25.0	17.0	10.0	5.0
STAS 9625SV	3-1/8 ODF	(2) 48 cu in Core	27.0	19.0	14.0	7.4	29.0	23.0	16.0	7.0

¹ All ratings in accordance with ARI Standard 730-04.

² Example: 1.0 tons x 3.5 = 3.5 kW

TAKE-APART SUCTION LINE FILTER DRIER FLOW CAPACITIES

MODEL NUMBER	CONNECTIONS (IN)	FILTER DRIER CARTRIDGE	FLOW CAPACITY IN TONS REFRGERANT ¹ (For kW, Multiply Tons By 3.5) ²														
			R-22 / R-448A / R-449A					R-407C					R-410A				
			EVAPORATOR TEMPERATURE (°F)														
			40	20	0	-20	-40	40	20	0	-20	-40	40	20	0	-20	-40
			PRESSURE DROP (PSI)														
3	2	1.5	1	0.5	3	2	1.5	1	0.5	3	2	1.5	1	0.5			
ADKS 30013T	1-5/8 ODF	(3) F-100 Filter	45.0	30.0	20.0	13.0	7.0	41.7	27.3	17.7	11.3	5.8	—	—	—	—	—
ADKS 30017T	2-1/8 ODF	(3) F-100 Filter	77.0	50.0	35.0	22.0	12.0	71.4	45.5	31.0	19.2	10.0	—	—	—	—	—
ADKS 40017T	2-1/8 ODF	(4) F-100 Filter	80.0	53.0	37.0	23.0	13.0	74.2	48.2	32.8	20.0	10.8	—	—	—	—	—
ADKS 40021T	2-5/8 ODF	(4) F-100 Filter	122.0	80.0	55.0	34.0	19.0	113.1	72.7	48.7	29.6	15.8	—	—	—	—	—
ADKS 30013T	1-5/8 ODF	(3) 100 cu in Core	35.0	23.0	16.0	10.0	5.5	32.4	20.9	14.2	8.7	4.6	—	—	—	—	—
ADKS 30017T	2-1/8 ODF	(3) 100 cu in Core	56.0	37.0	25.0	16.0	8.8	51.9	33.6	22.1	13.9	7.3	—	—	—	—	—
ADKS 40017T	2-1/8 ODF	(4) 100 cu in Core	61.0	40.0	27.0	17.0	9.5	56.5	36.4	23.9	14.8	7.9	—	—	—	—	—
ADKS 40021T	2-5/8 ODF	(4) 100 cu in Core	88.0	58.0	40.0	25.0	14.0	81.6	52.7	35.4	21.8	11.6	—	—	—	—	—
BTAS 27SV	7/8 ODF	A2F Filter	8.8	5.7	3.9	2.5	1.3	8.2	5.2	3.5	2.2	1.1	—	—	—	—	—
BTAS 39SV	1-1/8 ODF	A3F Filter	14.0	8.8	5.9	3.7	2.0	13.0	8.0	5.2	3.2	1.7	—	—	—	—	—
BTAS 311SV	1-3/8 ODF	A3F Filter	15.0	10.0	6.6	4.1	2.2	13.9	9.1	5.8	3.6	1.8	—	—	—	—	—
BTAS 313SV	1-5/8 ODF	A3F Filter	24.0	16.0	11.0	6.6	3.5	22.2	14.5	9.7	5.8	2.9	—	—	—	—	—
BTAS 317SV	2-1/8 ODF	A3F Filter	29.0	19.0	13.0	8.1	4.3	26.9	17.3	11.5	7.1	3.6	—	—	—	—	—
BTAS 411SV	1-3/8 ODF	A4F Filter	31.0	20.0	14.0	8.7	4.6	28.7	18.2	12.4	7.6	3.8	—	—	—	—	—
BTAS 413SV	1-5/8 ODF	A4F Filter	38.0	25.0	17.0	11.0	5.7	35.2	22.7	15.1	9.6	4.7	—	—	—	—	—
BTAS 417SV	2-1/8 ODF	A4F Filter	53.0	34.0	23.0	15.0	7.8	49.1	30.9	20.4	13.1	6.5	—	—	—	—	—
BTAS 421SV	2-5/8 ODF	A4F Filter	64.0	42.0	29.0	18.0	10.0	59.3	38.2	25.7	15.7	8.3	—	—	—	—	—
BTAS 517SV	2-1/8 ODF	A5F Filter	63.0	41.0	28.0	18.0	9.4	58.4	37.3	24.8	15.7	7.8	—	—	—	—	—
BTAS 521SV	2-5/8 ODF	A5F Filter	84.0	54.0	37.0	23.0	12.0	77.9	49.1	32.8	20.0	10.0	—	—	—	—	—
BTAS 525SV	3-1/8 ODF	A5F Filter	103.0	67.0	46.0	29.0	15.0	95.5	60.9	40.7	25.3	12.5	—	—	—	—	—
BTAS 25SV	5/8 ODF	A2F-D Filter Drier	4.6	3.0	2.0	1.3	0.7	4.3	2.7	1.8	1.1	0.6	—	—	—	—	—
BTAS 27SV	7/8 ODF	A2F-D Filter Drier	7.5	4.9	3.3	2.1	1.1	7.0	4.5	2.9	1.8	0.9	—	—	—	—	—
BTAS 39SV	1-1/8 ODF	A3F-D Filter Drier	10.0	6.3	4.3	2.7	1.4	9.3	5.7	3.8	2.4	1.2	—	—	—	—	—
BTAS 311SV	1-3/8 ODF	A3F-D Filter Drier	14.0	8.9	6.0	3.8	2.0	13.0	8.1	5.3	3.3	1.7	—	—	—	—	—
BTAS 313SV	1-5/8 ODF	A3F-D Filter Drier	20.0	13.0	8.6	5.4	2.9	18.5	11.8	7.6	4.7	2.4	—	—	—	—	—
BTAS 317SV	2-1/8 ODF	A3F-D Filter Drier	23.0	15.0	10.0	6.3	3.4	21.3	13.6	8.9	5.5	2.8	—	—	—	—	—
BTAS 411SV	1-3/8 ODF	A4F-D Filter Drier	28.0	18.0	13.0	7.8	4.2	26.0	16.4	11.5	6.8	3.5	—	—	—	—	—
BTAS 413SV	1-5/8 ODF	A4F-D Filter Drier	29.0	19.0	14.0	8.1	4.3	26.9	17.3	11.5	7.1	3.6	—	—	—	—	—
BTAS 417SV	2-1/8 ODF	A4F-D Filter Drier	43.0	28.0	19.0	12.0	6.3	39.0	25.5	16.8	10.5	5.2	—	—	—	—	—
BTAS 421SV	2-5/8 ODF	A4F-D Filter Drier	44.0	29.0	20.0	13.0	6.5	41.0	26.4	18.0	11.0	5.4	—	—	—	—	—
BTAS 517SV	2-1/8 ODF	A5F-D Filter Drier	51.0	33.0	22.0	14.0	7.5	47.3	30.0	19.5	12.2	6.2	—	—	—	—	—
BTAS 521SV	2-5/8 ODF	A5F-D Filter Drier	61.0	40.0	27.0	17.0	9.0	56.5	36.4	23.9	14.8	7.5	—	—	—	—	—
BTAS 525SV	3-1/8 ODF	A5F-D Filter Drier	72.0	47.0	32.0	20.0	11.0	66.7	42.7	28.3	17.4	9.2	—	—	—	—	—
STAS 489SV	1-1/8 ODF	(1) F-48 Filter	22.0	14.0	10.0	6.0	2.0	20.0	13.0	9.0	5.0	2.0	27.0	17.0	12.0	7.4	2.5
STAS 4811SV	1-3/8 ODF	(1) F-48 Filter	28.0	17.0	12.0	7.0	3.0	26.0	15.0	11.0	6.0	2.0	34.0	21.0	15.0	8.6	3.7
STAS 4813SV	1-5/8 ODF	(1) F-48 Filter	35.0	20.0	15.0	8.0	4.0	32.0	18.0	13.0	7.0	3.0	43.0	24.0	18.0	9.8	4.9
STAS 4817SV	2-1/8 ODF	(1) F-48 Filter	47.0	30.0	20.0	10.0	5.0	44.0	27.0	18.0	9.0	4.0	57.0	36.0	24.0	12.0	6.2
STAS 4821SV	2-5/8 ODF	(1) F-48 Filter	60.0	40.0	25.0	15.0	7.0	56.0	36.0	22.0	13.0	6.0	73.0	48.0	30.0	18.0	8.6
STAS 9617SV	2-1/8 ODF	(2) F-48 Filter	50.0	30.0	20.0	12.0	6.0	46.0	27.0	18.0	10.0	5.0	61.0	36.0	24.0	15.0	7.4
STAS 9621SV	2-5/8 ODF	(2) F-48 Filter	70.0	43.0	28.0	17.0	8.0	65.0	39.0	25.0	15.0	7.0	85.0	52.0	34.0	21.0	9.9
STAS 9625SV	3-1/8 ODF	(2) F-48 Filter	83.0	51.0	33.0	20.0	10.0	77.0	46.0	30.0	18.0	8.5	101.0	62.0	41.0	25.0	12.0
STAS 489SV	1-1/8 ODF	(1) 48 cu in Core	15.0	9.0	7.0	4.0	1.0	14.0	8.0	6.0	3.0	1.0	18.0	11.0	8.5	4.9	1.2
STAS 4811SV	1-3/8 ODF	(1) 48 cu in Core	18.0	11.0	8.0	5.0	2.0	17.0	10.0	7.0	4.0	2.0	22.0	13.0	9.7	6.1	2.5
STAS 4813SV	1-5/8 ODF	(1) 48 cu in Core	23.0	13.0	10.0	6.0	3.0	21.0	12.0	9.0	5.0	2.0	28.0	16.0	12.0	7.4	3.7
STAS 4817SV	2-1/8 ODF	(1) 48 cu in Core	31.0	20.0	13.0	7.0	4.0	29.0	18.0	12.0	6.0	3.0	38.0	24.0	16.0	9.0	4.5
STAS 4821SV	2-5/8 ODF	(1) 48 cu in Core	40.0	27.0	17.0	10.0	5.0	37.0	25.0	15.0	9.0	4.0	49.0	33.0	21.0	12.0	6.2
STAS 9617SV	2-1/8 ODF	(2) 48 cu in Core	33.0	20.0	13.0	8.0	4.0	31.0	18.0	12.0	7.0	3.0	40.0	24.0	16.0	9.8	4.9
STAS 9621SV	2-5/8 ODF	(2) 48 cu in Core	47.0	28.0	18.0	11.0	6.0	44.0	25.0	16.0	10.0	5.0	57.0	34.0	22.0	14.0	7.4
STAS 9625SV	3-1/8 ODF	(2) 48 cu in Core	51.0	30.0	24.0	17.0	7.6	47.0	27.0	20.0	15.0	6.0	62.0	37.0	28.0	20.0	11.0

¹ All ratings in accordance with ARI Standard 730-04.

² Example: 1.0 tons x 3.5 = 3.5 kW

TAKE-APART SUCTION LINE FILTER DRIER FLOW CAPACITIES

MODEL NUMBER	CONNECTIONS (IN)	FILTER DRIER CARTRIDGE	FLOW CAPACITY IN TONS REFRGERANT ¹ (FOR KW, MULTIPLY TONS BY 3.5) ²									
			R-502					R-404A / R-507				
			EVAPORATOR TEMPERATURE (°F)									
			40	20	0	-20	-40	40	20	0	-20	-40
			PRESSURE DROP (PSI)									
3	2	1.5	1	0.5	3	2	1.5	1	0.5			
ADKS 30013T	1-5/8 ODF	(3) F-100 Filter	38.0	24.0	16.0	9.9	5.2	37.0	24.0	16.0	10.0	5.5
ADKS 30017T	2-1/8 ODF	(3) F-100 Filter	64.0	40.0	27.0	17.0	8.9	62.0	40.0	27.0	18.0	9.4
ADKS 40017T	2-1/8 ODF	(4) F-100 Filter	68.0	43.0	28.0	17.0	9.2	66.0	43.0	29.0	18.0	9.8
ADKS 40021T	2-5/8 ODF	(4) F-100 Filter	102.0	64.0	43.0	27.0	14.0	99.0	64.0	43.0	28.0	15.0
ADKS 30013T	1-5/8 ODF	(3) 100 cu in Core	30.0	19.0	12.0	7.7	4.1	29.0	19.0	13.0	8.0	4.3
ADKS 30017T	2-1/8 ODF	(3) 100 cu in Core	47.0	30.0	20.0	12.0	6.4	46.0	30.0	20.0	13.0	6.8
ADKS 40017T	2-1/8 ODF	(4) 100 cu in Core	51.0	32.0	22.0	13.0	7.0	49.0	32.0	22.0	14.0	7.4
ADKS 40021T	2-5/8 ODF	(4) 100 cu in Core	74.0	47.0	31.0	19.0	10.0	72.0	47.0	32.0	20.0	11.0
BTAS 27SV	7/8 ODF	A2F Filter	7.4	4.6	3.1	1.8	0.9	7.2	4.6	3.1	1.9	1.0
BTAS 39SV	1-1/8 ODF	A3F Filter	11.0	7.0	4.7	2.8	1.4	11.0	7.0	4.7	2.9	1.5
BTAS 311SV	1-3/8 ODF	A3F Filter	12.0	7.8	5.2	3.1	1.6	12.0	7.8	5.2	3.2	1.7
BTAS 313SV	1-5/8 ODF	A3F Filter	20.0	12.0	8.2	5.0	2.5	19.0	12.0	8.3	5.2	2.7
BTAS 317SV	2-1/8 ODF	A3F Filter	25.0	15.0	10.0	6.1	3.1	24.0	15.0	10.0	6.3	3.3
BTAS 411SV	1-3/8 ODF	A4F Filter	27.0	16.0	11.0	6.6	3.4	26.0	16.0	11.0	6.8	3.6
BTAS 413SV	1-5/8 ODF	A4F Filter	32.0	20.0	13.0	8.1	4.1	31.0	20.0	14.0	8.4	4.4
BTAS 417SV	2-1/8 ODF	A4F Filter	44.0	28.0	18.0	11.0	5.7	43.0	28.0	19.0	12.0	6.0
BTAS 421SV	2-5/8 ODF	A4F Filter	54.0	34.0	23.0	14.0	6.9	52.0	34.0	23.0	14.0	7.3
BTAS 517SV	2-1/8 ODF	A5F Filter	54.0	33.0	22.0	13.0	6.8	52.0	33.0	22.0	14.0	7.2
BTAS 521SV	2-5/8 ODF	A5F Filter	70.0	44.0	29.0	18.0	9.0	68.0	44.0	29.0	18.0	9.6
BTAS 525SV	3-1/8 ODF	A5F Filter	87.0	54.0	36.0	22.0	11.0	84.0	54.0	36.0	23.0	12.0
BTAS 25SV	5/8 ODF	A2F-D Filter Drier	3.9	2.4	1.6	1.0	0.5	3.8	2.4	1.6	1.0	0.5
BTAS 27SV	7/8 ODF	A2F-D Filter Drier	6.3	3.9	2.6	1.5	0.8	6.1	3.9	2.6	1.6	0.9
BTAS 39SV	1-1/8 ODF	A3F-D Filter Drier	8.1	5.1	3.4	2.0	1.0	7.9	5.1	3.4	2.1	1.1
BTAS 311SV	1-3/8 ODF	A3F-D Filter Drier	11.0	7.1	4.8	2.9	1.5	11.0	7.1	4.8	3.0	1.6
BTAS 313SV	1-5/8 ODF	A3F-D Filter Drier	16.0	10.0	6.7	4.1	2.1	16.0	10.0	6.8	4.2	2.2
BTAS 317SV	2-1/8 ODF	A3F-D Filter Drier	19.0	12.0	7.9	4.8	2.4	19.0	12.0	8.0	5.0	2.6
BTAS 411SV	1-3/8 ODF	A4F-D Filter Drier	24.0	15.0	10.0	5.9	3.0	23.0	15.0	10.0	6.1	3.2
BTAS 413SV	1-5/8 ODF	A4F-D Filter Drier	25.0	15.0	10.0	6.1	3.1	24.0	15.0	10.0	6.3	3.3
BTAS 417SV	2-1/8 ODF	A4F-D Filter Drier	36.0	22.0	15.0	9.0	4.6	35.0	22.0	15.0	9.3	4.9
BTAS 421SV	2-5/8 ODF	A4F-D Filter Drier	37.0	23.0	16.0	10.0	5.0	36.0	23.0	16.0	10.0	5.3
BTAS 517SV	2-1/8 ODF	A5F-D Filter Drier	42.0	27.0	18.0	11.0	4.7	41.0	27.0	18.0	11.0	5.0
BTAS 521SV	2-5/8 ODF	A5F-D Filter Drier	52.0	32.0	22.0	13.0	6.6	50.0	32.0	22.0	13.0	7.0
BTAS 525SV	3-1/8 ODF	A5F-D Filter Drier	61.0	38.0	25.0	15.0	7.8	59.0	38.0	25.0	16.0	8.3
STAS 489SV	1-1/8 ODF	(1) F-48 Filter	21.0	12.0	8.0	5.0	3.0	20.0	12.0	8.0	5.0	3.0
STAS 4811SV	1-3/8 ODF	(1) F-48 Filter	25.0	15.0	10.0	6.0	4.0	24.0	15.0	10.0	6.0	4.0
STAS 4813SV	1-5/8 ODF	(1) F-48 Filter	31.0	18.0	11.0	7.0	5.0	30.0	18.0	11.0	7.0	5.0
STAS 4817SV	2-1/8 ODF	(1) F-48 Filter	41.0	25.0	15.0	9.0	7.0	40.0	25.0	15.0	9.0	7.0
STAS 4821SV	2-5/8 ODF	(1) F-48 Filter	57.0	30.0	20.0	12.0	8.0	55.0	30.0	20.0	12.0	8.0
STAS 9617SV	2-1/8 ODF	(2) F-48 Filter	41.0	25.0	15.0	10.0	7.0	40.0	25.0	15.0	10.0	7.0
STAS 9621SV	2-5/8 ODF	(2) F-48 Filter	62.0	35.0	25.0	14.0	9.0	60.0	35.0	25.0	15.0	10.0
STAS 9625SV	3-1/8 ODF	(2) F-48 Filter	74.0	42.0	30.0	17.0	11.0	72.0	42.0	30.0	18.0	12.0
STAS 489SV	1-1/8 ODF	(1) 48 cu in Core	13.0	8.0	6.0	4.0	2.0	13.0	8.0	6.0	4.0	2.0
STAS 4811SV	1-3/8 ODF	(1) 48 cu in Core	18.0	10.0	6.5	4.5	3.0	17.0	10.0	6.5	4.5	3.0
STAS 4813SV	1-5/8 ODF	(1) 48 cu in Core	21.0	12.0	7.0	5.0	4.0	20.0	12.0	7.0	5.0	4.0
STAS 4817SV	2-1/8 ODF	(1) 48 cu in Core	28.0	17.0	10.0	6.0	5.0	27.0	17.0	10.0	6.0	5.0
STAS 4821SV	2-5/8 ODF	(1) 48 cu in Core	38.0	20.0	13.0	8.0	6.0	37.0	20.0	13.0	8.0	6.0
STAS 9617SV	2-1/8 ODF	(2) 48 cu in Core	28.0	17.0	11.0	7.0	5.0	27.0	17.0	11.0	7.0	5.0
STAS 9621SV	2-5/8 ODF	(2) 48 cu in Core	41.0	23.0	17.0	10.0	7.0	40.0	23.0	17.0	10.0	7.0
STAS 9625SV	3-1/8 ODF	(2) 48 cu in Core	49.0	27.0	20.0	12.0	8.0	47.0	27.0	20.0	12.0	8.0

¹ All ratings in accordance with ARI Standard 730-04.

² Example: 1.0 tons x 3.5 = 3.5 kW



HMI 1TT5

HMI SERIES HERMETIC MOISTURE INDICATORS

The HMI is designed to provide an accurate method of determining the moisture content of a system's refrigerant. The HMI has a unique high accuracy moisture indicator for CFC, HCFC, and HFC refrigerants.

FEATURES

- Highest sensitivity moisture indicator available
- Hermetic construction for leak-free operation
- Single indicator for all common refrigerants
- Accurate color calibration at low ppm levels and higher temperatures
- Wide angle viewing/high visibility window for ease of monitoring
- All brass corrosion resistant body
- Solid copper connections

SPECIFICATIONS

Maximum Working Pressure..... 680 psig (47 bar)
 UL/CUL File Number SA9566
 Canadian CRN 0F20663.5C

MODEL NUMBER NOMENCLATURE - Example: HMI 1TT4

SERIES	DESIGN	CONNECTION TYPE	CONNECTION SIZE	SEQUENTIAL IDENTIFIER	CUSTOMER SPECIAL	PACK TYPE
HMI	1	TT	4			
Hermetic Moisture Indicator	1 = Standard	FM = Female Flare X Male Flare MM = Male Flare X Male Flare TT = ODF Extended Ends TT_MF = ODM x ODF Extended Ends	In 1/8" Increments	Blank Thru -99	G = Customer Special (Omit for Standard)	B1 = Bulk Pack (Omit for Individual Pack)

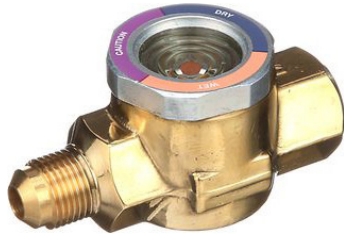
HMI SERIES HERMETIC MOISTURE INDICATORS

CONNECTION STYLE	CONNECTION SIZE	MODEL NUMBER	ITEM NUMBER
Female Flare X Male Flare	1/4"	HMI 1FM2	065396
Female Flare X Male Flare	3/8"	HMI 1FM3	065397
Female Flare X Male Flare	1/2"	HMI 1FM4	065398
Male Flare X Male Flare	1/4"	HMI 1MM2	065391
Male Flare X Male Flare	3/8"	HMI 1MM3	065392
Male Flare X Male Flare	1/2"	HMI 1MM4	065393
Male Flare X Male Flare	5/8"	HMI 1MM5	065394
Male Flare X Male Flare	3/4"	HMI 1MM6	065395
ODF Extended Ends	1/4"	HMI 1TT2	065405
ODF Extended Ends	3/8"	HMI 1TT3	065406
ODF Extended Ends	1/2"	HMI 1TT4	065407
ODF Extended Ends	5/8"	HMI 1TT5	065408
ODF Extended Ends	3/4"	HMI 1TT6	065409
ODF Extended Ends	7/8"	HMI 1TT7	065410
ODF Extended Ends	1-1/8"	HMI 1TT9	065411

MOISTURE CONTENT COLOR CODE (PPM H₂O)

INDICATION LIQUID TEMPERATURE	DRY (DARK BLUE)			CAUTION (PURPLE)			WET (SALMON)		
	75°F	100°F	125°F	75°F	100°F	125°F	75°F	100°F	125°F
R-12	1.4	2.5	4	5	9	15	25	43	70
R-134a	20	35	60	35	55	85	130	160	190
R-22	25	35	50	40	65	90	145	205	290
R-407C	26	40	64	42	68	109	150	230	370
R-410A	30	55	75	50	85	120	165	290	420
R-404A / 507	15	25	45	33	50	80	120	150	180
R-448A/R-449A	22	31	43	37	52	72	141	203	282
R-450A/R-513A	13	18	25	22	30	42	82	118	164

INDICATION LIQUID TEMPERATURE	DRY (DARK BLUE)				CAUTION (PURPLE)				WET (SALMON)			
	-40°F	-4°F	32°F	68°F	-40°F	-4°F	32°F	68°F	-40°F	-4°F	32°F	68°F
R-744	3	6	11	20	5	10	19	34	16	32	63	116



AMI 1FM3

AMI SERIES TAKE-APART MOISTURE INDICATORS

The AMI is designed to provide an accurate method of determining the moisture content of a system's refrigerant. The AMI has a unique high accuracy moisture indicator for CFC, HCFC and HFC refrigerants.

FEATURES

- Highest sensitivity moisture indicator available
- Take-Apart design for easy repair
- Single indicator for all common refrigerants
- Accurate color calibration at low ppm levels and higher temperatures
- Wide angle viewing/high visibility window for ease of monitoring
- Solid copper connections

SPECIFICATIONS

Maximum Working Pressure 680 psig (47 bar)
 UL/CUL File Number SA9566
 Canadian CRN 0F20663.5C

MODEL NUMBER NOMENCLATURE - Example: AMI 1SS4

SERIES	DESIGN	CONNECTION TYPE	CONNECTION SIZE	SEQUENTIAL IDENTIFIER	CUSTOMER SPECIAL	PACK TYPE
AMI	1	SS	4			
Take-Apart Moisture Indicator	1 = Standard Connection 2 = Bushing Style	FM = Female Flare X Male Flare MM = Male Flare X Male Flare SS = Sweat X Sweat (ODF) TT = ODF Extended Ends	In 1/8" Increments	Blank Thru -99	G = Customer Special (Omit for Standard)	B1 = Bulk Pack (Omit for Individual Pack)

AMI SERIES MOISTURE INDICATORS

CONNECTION TYPE	CONNECTION SIZE	MODEL NUMBER	ITEM NUMBER
Female Flare X Male Flare	1/4"	AMI 1FM2	048800
	3/8"	AMI 1FM3	048801
	1/2"	AMI 1FM4	048802
Male Flare X Male Flare	3/8"	AMI 1MM3	048804
	1/2"	AMI 1MM4	048805
	5/8"	AMI 1MM5	048806
Sweat X Sweat (ODF)	1/4"	AMI 1SS2	048811
	3/8"	AMI 1SS3	048812
	1/2"	AMI 1SS4	048813
	5/8"	AMI 1SS5	048814
	7/8"	AMI 1SS7	048815
	1-1/8"	AMI 1SS9	048816
ODF Extended Ends	1/4"	AMI 1TT2	047298
	3/8"	AMI 1TT3	042771
	1/2"	AMI 1TT4	022302
	5/8"	AMI 1TT5	031136
	7/8"	AMI 1TT7	031357
	1-1/8"	AMI 1TT9	031578
	1-3/8"	AMI 1TT11	060255
Bushing Style (ODM)	7/8"	AMI 2S7	064167
	1-1/8"	AMI 2S9	064168
	1-3/8"	AMI 2S11	022303
	1-5/8"	AMI 2S13	028388
	2-1/8"	AMI 2S17	031219

MOISTURE CONTENT COLOR CODE (PPM H₂O)

INDICATION LIQUID TEMPERATURE	DRY (DARK BLUE)			CAUTION (PURPLE)			WET (SALMON)		
	75°F	100°F	125°F	75°F	100°F	125°F	75°F	100°F	125°F
R-12	1.4	2.5	4	5	9	15	25	43	70
R-134a	20	35	60	35	55	85	130	160	190
R-22	25	35	50	40	65	90	145	205	290
R-407C	26	40	64	42	68	109	150	230	370
R-410A	30	55	75	50	85	120	165	290	420
R-404A / 507	15	25	45	33	50	80	120	150	180
R-448 / 449	22	31	43	37	52	72	141	203	282
R-450A / R513A	13	18	25	22	30	42	82	118	164

INDICATION LIQUID TEMPERATURE	DRY (DARK BLUE)				CAUTION (PURPLE)				WET (SALMON)			
	-40°F	-4°F	32°F	68°F	-40°F	-4°F	32°F	68°F	-40°F	-4°F	32°F	68°F
R-744	3	6	11	20	5	10	19	34	16	32	63	116

AMI SERIES PARTS

DESCRIPTION	MODEL NUMBER	ITEM NUMBER
Lens cap	12740-1	021371
"O" Ring	PS-1525-2	020877
Lens Assembly Kit (Consists of Lens Assembly, Lens Cap, and "O" Ring)	X-12978-1	027511



A-IHL 13S

A-IHL SERIES MOISTURE INDICATORS

The A-IHL saddle design moisture indicator is used for large diameter tubing in CFC, HCFC and HFC refrigerants.

FEATURES

- Saddle design
- Solid copper connections
- Replaceable moisture indicator
- Eliminates the need for bypass installation - positive reaction to system moisture levels

SPECIFICATIONS

Maximum Working Pressure..... 680 psig (47 bar)
 UL/CUL File Number SA9566
 Canadian CRN 0F20663.5C

MODEL NUMBER NOMENCLATURE - Example: A-IHL 9S

SERIES	CONNECTION SIZE	CONNECTION TYPE	SEQUENTIAL IDENTIFIER	CUSTOMER SPECIAL	PACK TYPE
A-IHL	9	S			
Large Diameter Tubing Moisture Indicator	In 1/8" Increments	S = ODF	Blank Thru -99	G = Customer Special (Omit for Standard)	B1 = Bulk Pack (Omit for Individual Pack)

A-IHL SERIES MOISTURE INDICATORS

CONNECTION TYPE	CONNECTION SIZE	LENGTH	MODEL NUMBER	ITEM NUMBER
ODF	1-1/8"	6.31"	A-IHL 9S	060853
ODF	1-3/8"	7.12"	A-IHL 11S	061030
ODF	1-5/8"	7.87"	A-IHL 13S	061031
ODF	2-1/8"	8.68"	A-IHL 17S	061032



APD 165SB

APD SERIES PULSATION DAMPENER / MUFFLER

The APD Series is designed to reduce noise and vibration on the compressor discharge lines.

FEATURES

- Compact size
- Full flow fittings
- Solid copper connections
- Corrosion resistant epoxy powder paint finish
- Rugged steel shells for vibration resistance
- Shock resistant steel shell construction

SPECIFICATIONS

Maximum Working Pressure..... 680 psig (47 bar)
 Operating Range -40°F/C to +250°F (121 °C)
 UL/CUL File Number SA5760

MODEL NUMBER NOMENCLATURE - Example: APD 054SB

SERIES	UNIT SIZE	CONNECTION SIZE	CONNECTION STYLE	BAFFLES	SEQUENTIAL IDENTIFIER	CUSTOMER SPECIAL	PACK TYPE
APD	05	4	S	B			
Pulsation Dampener	In Cubic In.	In 1/8" Increments	S = ODF F = SAE	B = With Baffles (Omit for Standard)	Blank Thru -99	G = Customer Special (Omit for Standard)	B1 = Bulk Pack (Omit for Individual Pack)

APD SERIES MUFFLERS

INLET X OUTLET CONNECTION SIZE	BAFFLES	MODEL NUMBER	ITEM NUMBER
1/2" X 1/2" ODF	Yes	APD 054SB	049651
3/8" X 3/8" ODF	No	APD 163S	059144
5/8" X 5/8" ODF	Yes	APD 165SB	060119
7/8" X 7/8" ODF	Yes	APD 167SB	061042
1-1/8" X 1-1/8" ODF	No	APD 309S	056989



A-AS 597

A-AS SERIES SUCTION ACCUMULATORS

The A-AS protects the compressor from liquid slugging and is used with CFC, HCFC and HFC refrigerants. It is available for systems through 28 tons nominal capacity.

- Designed to operate in a range of +40°F to -40°F evaporator temperature
- Fusible plug on larger diameter units
- Solid copper connections
- Corrosion resistant epoxy powder paint finish
- Inlet deflector directs refrigerant flow to prevent internal splashing and aid in the collection of refrigerant oil

SPECIFICATIONS

Maximum working pressure 450 psig (31 bar)
 Fusible plug temperature..... 430°F (221°C)
 UL/CUL file number SA 10225
 Canadian CRN 0H20236-5C

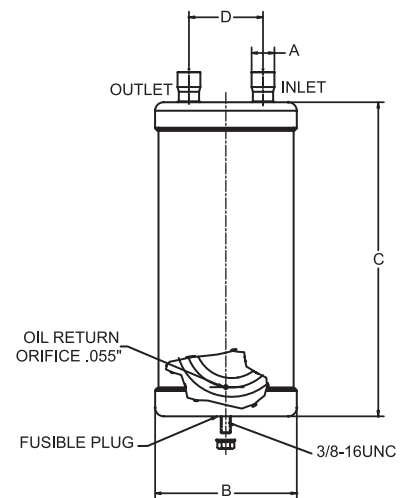
MODEL NUMBER NOMENCLATURE - Example: A-AS 3125

SERIES	ACCUMULATOR SUCTION	DIAMETER	HEIGHT	FITTING SIZE	SEQUENTIAL IDENTIFIER	CUSTOMER SPECIAL	PACK TYPE
A	AS	3	12	5			
Suction Accumulators		In Cubic In.	In Cubic In.	Fitting Size In 1/8" Increments	Blank Thru -99	G = Customer Special (Omit for Standard)	B1 = Bulk Pack P1 = Pallet Pack (Omit for Individual Pack)

A-AS SERIES SUCTION ACCUMULATORS

(B) DIAMETER (IN)	(C) HEIGHT (IN)	(A) FITTING SIZE	(D) FITTING SEPARATION (IN)	FLOW CAPACITY TONS (+40°F)		HOLDING CAPACITY (LBS) 50% OF SYSTEM CHARGE 40°F LIQUID					MODEL NUMBER	ITEM NUMBER
				R-404A	R-410A	R-22 / R-134a	R-404A / R-507	R-410A	R-448A / R-449A	R-450A / R-513A		
3	8	1/2" ODF	1.63	1.7	2.4	1.5	1.5	2.1	1.4	1.4	A-AS 384	060819
3	10	5/8" ODF	1.63	2.6	3.7	2.0	2.0	2.6	1.8	1.9	A-AS 3105	060963
3	12	5/8" ODF	1.63	2.6	3.7	3.0	2.5	3.1	2.8	2.9	A-AS 3125	060812
3	12	3/4" ODF	1.63	3.5	4.9	3.0	2.5	3.1	2.8	2.9	A-AS 3126	060813
3	14	5/8" ODF	1.63	2.6	3.7	3.5	3.0	3.6	3.2	3.3	A-AS 3145	060964
3	14	3/4" ODF	1.63	3.5	4.9	3.5	2.8	3.6	3.2	3.3	A-AS 3146	060965
4	6	1/2" ODF	2.50	1.7	2.4	2.5	2.0	2.8	2.3	2.4	A-AS 464	060967
4	6	5/8" ODF	2.50	2.6	3.7	2.5	2.0	2.8	2.3	2.4	A-AS 465	060821
4	10	5/8" ODF	2.50	2.6	3.7	4.0	3.5	4.6	3.7	3.8	A-AS 4105	060966
4	10	3/4" ODF	2.50	3.5	4.9	4.0	3.5	4.6	3.7	3.8	A-AS 4106	060820
5	9	3/4" ODF	2.75	3.5	4.9	6.0	5.5	6.5	5.5	5.7	A-AS 596	060824
5	9	7/8" ODF	2.75	6.4	8.9	6.0	5.5	6.5	5.5	5.7	A-AS 597	060818
5	12	3/4" ODF	2.75	3.5	4.9	8.0	7.5	8.6	7.4	7.7	A-AS 5126	060822
5	12	7/8" ODF	2.75	6.4	8.9	8.0	7.5	8.6	7.4	7.7	A-AS 5127	060823
5	13	7/8" ODF	2.75	6.4	8.9	8.5	8.0	9.3	7.9	8.1	A-AS 5137	060814
5	13	1-1/8" ODF	2.75	10.3	14.5	8.5	8.0	9.3	7.9	8.1	A-AS 5139	060815
5	17	1-1/8" ODF	2.75	10.3	14.5	12.0	10.0	12.2	11.1	11.5	A-AS 5179	060817
5	17	1-3/8" ODF	2.75	16.4	23	12.0	10.0	12.2	11.1	11.5	A-AS 51711	060816
6	11	7/8" ODF	2.94	6.4	8.9	10.0	9.0	11.4	9.2	9.6	A-AS 6117	060825
6	13	7/8" ODF	2.94	6.4	8.9	12.8	11.5	13.4	11.8	12.3	A-AS 6137	060826
6	13	1-1/8" ODF	2.94	10.3	14.5	12.8	11.5	13.4	11.8	12.3	A-AS 6139	060968
6	14	1-3/8" ODF	2.94	16.4	23	14.1	12.6	14.5	13.0	13.5	A-AS 61411	060827
6	17	1-5/8" ODF	2.94	24.8	34.9	17.3	15.5	17.6	16.0	16.6	A-AS 61713	060969
6	20	1-5/8" ODF	2.94	24.8	34.9	20.6	18.4	20.7	19.0	19.7	A-AS 62013	060828
6	25	1-5/8" ODF	2.94	24.8	34.9	25.8	23.1	25.9	23.8	24.7	A-AS 62513	060970

DIMENSIONAL DATA



Capacity Tables





BVS 078 806758

BV SERIES BALL VALVES

The BVE/BVS Series refrigeration ball valves isolate suction, discharge, and liquid lines during maintenance shutdown periods.

FEATURES

- Forged brass body with extended copper ODF connections
- Compact, lightweight, hermetic welded design
- Compatible with all A1 class and A2L class refrigerants/lubricants, as well as R-290 and R-744
- Full port design below 2" port size
- Bi-directional flow characteristics
- Valve stem cap retained by strap attached to main body
- Integrated access valve available on all sizes
- Low operating friction design

SPECIFICATIONS

Maximum Working Pressure..... 650 psig (45 bar)
 Fluid Temperature Range..... -40°F/C to 250°F (121°C), 302°F (150°C) short term
 UL/CUL File Number SA5312
 Canadian CRN 0C21506.513467890YTN

MODEL NUMBER NOMENCLATURE - Example: BVE 118 806739

SERIES	ACCESS VALVE	CONNECTION SIZE		UNIQUE IDENTIFIER
BV	E	118		806739
Ball Valve Series	E = No S = Yes	'014 = 1/4" '038 = 3/8" '012 = 1/2" '058 = 5/8" '034 = 3/4" '078 = 7/8"	'118 = 1-1/8" '138 = 1-3/8" '158 = 1-5/8" '218 = 2-1/8" '258 = 2-5/8"	

BV SERIES BALL VALVES

CONNECTION SIZE AND TYPE	PORT SIZE	LAY IN LENGTH (IN)	WITHOUT ACCESS VALVE		WITH ACCESS VALVE	
			MODEL NUMBER	ITEM NUMBER	MODEL NUMBER	ITEM NUMBER
1/4" ODF	Full Port	4.72	BVE 014 806730	806730	BVS 014 806750	806750
3/8" ODF	Full Port	4.72	BVE 038 806732	806732	BVS 038 806752	806752
1/2" ODF	Full Port	5.00	BVE 012 806734	806734	BVS 012 806754	806754
5/8" ODF	Full Port	5.00	BVE 058 806736	806736	BVS 058 806756	806756
3/4" ODF	Full Port	6.18	BVE 034 806737	806737	BVS 034 806757	806757
7/8" ODF	Full Port	6.18	BVE 078 806738	806738	BVS 078 806758	806758
1-1/8" ODF	Full Port	6.65	BVE 118 806739	806739	BVS 118 806759	806759
1-3/8" ODF	Full Port	9.09	BVE 138 806741	806741	BVS 138 806761	806761
1-5/8" ODF	Full Port	10.91	BVE 158 806742	806742	BVS 158 806762	806762
2-1/8" ODF	2" Port	11.69	BVE 218 806744	806744	BVS 218 806764	806764
2-5/8" ODF	2" Port	11.69	BVE 258 806745	806745	BVS 258 806765	806765

BV-SERIES PARTS LIST

DESCRIPTION	QUANTITY (PER PACK)	MODEL NUMBER	ITEM NUMBER
BV Series Small Locking Seal Caps for Valve Sizes 1/4" Thru 7/8"	10 pcs.	BV 806770	806770
BV Series Medium Locking Seal Caps for Valve Sizes 1-1/8" Thru 1-3/8"	10 pcs.	BV 806771	806771
BV Series Large Locking Seal Caps for Valve Sizes 1-5/8" Thru 2-5/8"	10 pcs.	BV 806772	806772



BVSS 012

BVSS SERIES BALL VALVES

The BVSS Series refrigeration ball valves isolate suction, discharge, and liquid lines during maintenance shut down periods.

FEATURES

- Forged brass body with hermetic weld design
- Copper ODF connections with standard lengths for field retrofit installations
- Compatible with all A1 class refrigerants and R32
- Full port design on all sizes
- Bi-directional flow characteristics
- Integrated access valve on all sizes (core is pre-installed)
- Brass locking seal caps

SPECIFICATIONS

Maximum Working Pressure..... 650 psig (45 bar)
 Fluid Temperature Range..... -40°F/°C to 250°F (121°C), 302°F (150°C) short term
 UL/CUL File Number SA32723

MODEL NUMBER NOMENCLATURE - Example: BVSS 012

SERIES	CONNECTION SIZE		
BVSS	012		
Ball Valve	014 = 1/4" 038 = 3/8" 012 = 1/2" 058 = 5/8"	034 = 3/4" 078 = 7/8" 118 = 1-1/8" 138 = 1-3/8"	158 = 1-5/8" 218 = 2-1/8" 258 = 2-5/8" 318 = 3-1/8"

BALL VALVE SERIES COMPARISON

FEATURE	BVSS	BVS	BVE
Access Valve	Yes	Yes	—
Refrigerants	A1, R32	A1 & A2L, R290, R744	
Full Port	All sizes	1/4" through 1-5/8" only	
Locking Seal Cap	Brass	Plastic w/ retaining strap	
Length	Standard	—	
Mounting Holes	—	Yes	

BVSS SERIES BALL VALVES

CONNECTION SIZE AND TYPE	PORT SIZE	OVERALL LENGTH (IN)	MODEL NUMBER	ITEM NUMBER
1/4" ODF	Full Port	4.41	BVSS 014	081013
3/8" ODF	Full Port	4.96	BVSS 038	081014
1/2" ODF	Full Port	5.02	BVSS 012	081015
5/8" ODF	Full Port	5.91	BVSS 058	081016
3/4" ODF	Full Port	6.46	BVSS 034	081017
7/8" ODF	Full Port	7.46	BVSS 078	081018
1-1/8" ODF	Full Port	8.23	BVSS 118	081019
1-3/8" ODF	Full Port	9.69	BVSS 138	081020
1-5/8" ODF	Full Port	10.98	BVSS 158	081021
2-1/8" ODF	Full Port	12.60	BVSS 218	081022
2-5/8" ODF	Full Port	14.84	BVSS 258	081023
3-1/8" ODF	Full Port	16.14	BVSS 318	081024



ACK 4

ACK SERIES CHECK VALVE

The ACK check valve is a normally closed magnetic check valve that prevents reverse refrigerant flow in liquid lines and compressor discharge lines.

FEATURES

- Copper connection sizes 1/4" through 2-5/8"
- Hermetic spun copper design
- Magnetic checking action
- Built-in 30 mesh stainless steel strainer
- Can be installed in any position
- Compatible with all A1 and A2L class refrigerants, as well as R-290 and R-744

SPECIFICATIONS

Maximum Working Pressure 680 psig (47 bar)
 Maximum Working Pressure (ACK-4 & -6 only) 800 psig (55 bar)
 Approvals UL/CUL File Number SA5312
 Canadian CRN 0C21506.513467890YTN

MODEL NUMBER NOMENCLATURE - Example: ACK-4

SERIES	CONNECTION SIZE
ACK	4
Check Valve Series	Copper ODF Connection Size (in 1/16")

ACK SERIES CHECK VALVES

CONNECTION SIZE & TYPE (IN)	NOMINAL TONS LIQUID & SUCTION 40°F @ 1 PSI, DISCHARGE 2 PSI										Cv	MODEL NUMBER	ITEM NUMBER
	R22		R-404A / R-448A / R-449A			R-410A			R-450A / R-513A				
	LIQUID	SUCTION	LIQUID	SUCTION	DISCHARGE	LIQUID	SUCTION	DISCHARGE	LIQUID	SUCTION			
1/4 ODF	2.60	0.40	1.77	0.34	0.59	2.59	0.48	0.80	1.79	0.28	0.9	ACK 4	064985
3/8 ODF	3.10	0.60	2.11	0.50	1.20	3.09	0.72	1.63	2.14	0.42	1	ACK 6	064986
1/2 ODF	9.40	1.20	6.39	1.01	2.23	9.37	1.44	3.01	6.48	0.84	3.1	ACK 8	064987
5/8 ODF	13.00	1.40	8.84	1.18	2.67	12.96	1.68	3.61	8.96	0.98	3.6	ACK 10	064988
3/4 ODF	27.00	3.30	18.36	2.77	5.82	26.92	3.96	7.87	18.62	2.31	8	ACK 12	064989
7/8 ODF	29.00	3.70	19.72	3.11	6.71	28.91	4.44	9.08	20.00	2.59	9.2	ACK 14	064990
1-1/8 ODF	51.00	6.00	34.68	5.04	10.55	50.85	7.20	14.27	35.16	4.20	15.4	ACK 18	064991
1-3/8 ODF	79.00	9.50	53.72	7.98	17.73	78.76	11.4	23.98	54.47	6.65	23.8	ACK 22	064992
1-5/8 ODF	102.00	17.00	69.36	14.28	26.04	101.69	20.4	35.21	70.33	11.89	24.2	ACK 26	064993
2-1/8 ODF	213.00	30.00	144.84	25.20	41.13	212.36	36.00	55.62	146.86	20.99	38.7	ACK 34	064994
2-5/8 ODF	375.00	50.00	255.00	42.00	50.70	373.88	60.00	68.56	258.56	34.98	71.7	ACK 42	064995



A-FC 6221717H

A-FC / A-WC HIGH EFFICIENCY CENTRIFUGAL OIL SEPARATOR

The High Efficiency Centrifugal Oil Separator is used in ultra-low temperature systems with long refrigerant lines or inherent oil return problems. It is also used on multiple compressor racks for supermarkets and air conditioning systems for use with CFCs, HCFCs, HFCs, and their lubricants. A-WC Series is suitable for use with R-410A.

FEATURES

- Internal oil collection screen
- Hermetic welded or accessible bolted flange construction
- Corrosion resistant epoxy powder paint
- High efficiency (99%) centrifugal separation

SPECIFICATIONS

Maximum Working Pressure

A-FC Flanged Models 450 psi (31 bar)
 A-WC Welded Models 600 psi (41 bar)

UL/CUL File Number SA8547

Canadian CRN 0H20236-5C

MODEL NUMBER NOMENCLATURE - Example: A-FC 10272121H

SERIES	STYLE	CENTRIFUGAL	SHELL DIAMETER	LENGTH	INLET CONNECTION	OUTLET CONNECTION	LEG HEIGHT	SEQUENTIAL IDENTIFIER	CUSTOMER SPECIAL	PACK TYPE
A	F	C	10	27	21	21	H			
A-WC / A-FC Series	F = Flanged W = Welded	Centrifugal Design	Diameter in Inches	Length in Inches	In 1/8" Increments	In 1/8" Increments	H = 10" (Omit for 5" Standard, 2.95" or no legs)	Blank Thru -99	G = Customer Special (Omit for Standard)	B1 = Bulk Pack (Omit for Individual Pack)

A-WC | A-FC SERIES OIL SEPARATORS

F = FLANGED W = WELDED	DIAMETER (IN)	OVERALL LENGTH (IN)	CONNECTION SIZE (ODF)	LEG HEIGHT (IN)	DISCHARGE MAXIMUM (CFM)	MAXIMUM CAPACITY OF REFRIGERATION AT EVAPORATOR TEMPERATURE (TONS/KW)								MODEL NUMBER	ITEM NUMBER
						R-134a / R-450A / R-513A		R-22 / R-407C / R-448A / R-449A		R-404A / R-507		R-410A			
						-40°F	+40°F	-40°F	+40°F	-40°F	+40°F	-40°F	+40°F		
F	6	22	1-3/8"	5.0	15.9	12.2 (42.8)	14.9 (52.4)	17.6 (61.9)	21.0 (73.9)	16.8 (59.1)	22.1 (77.9)	—	—	A-FC 6221111 ¹	065930
F	6	27	1-3/8"	10.0	15.9	12.2 (42.8)	14.9 (52.4)	17.6 (61.9)	21.0 (73.9)	16.8 (59.1)	22.1 (77.9)	—	—	A-FC 6221111H ¹	065931
F	6	22	1-5/8"	5.0	24.4	18.7 (65.6)	22.8 (80.3)	27.0 (94.8)	32.2 (113.2)	25.8 (90.6)	33.9 (119.3)	—	—	A-FC 6221313 ¹	065362
F	6	27	1-5/8"	10.0	24.4	18.7 (65.6)	22.8 (80.3)	27.0 (94.8)	32.2 (113.2)	25.8 (90.6)	33.9 (119.3)	—	—	A-FC 6221313H ¹	065932
F	6	22	2-1/8"	5.0	31.3	23.9 (84.0)	29.2 (102.8)	34.5 (121.4)	41.2 (145.0)	33.3 (116.0)	43.5 (152.8)	—	—	A-FC 6221717 ¹	065933
F	6	27	2-1/8"	10.0	31.3	23.9 (84.0)	29.2 (102.8)	34.5 (121.4)	41.2 (145.0)	33.3 (116.0)	43.5 (152.8)	—	—	A-FC 6221717H ¹	065934
F	8	24	2-1/8"	5.0	38.1	29.1 (102.3)	35.6 (125.1)	42.0 (147.8)	50.2 (176.5)	40.1 (141.2)	52.9 (186.1)	—	—	A-FC 8241717 ¹	065276
F	8	29	2-1/8"	10.0	38.1	29.1 (102.3)	35.6 (125.1)	42.0 (147.8)	50.2 (176.5)	40.1 (141.2)	52.9 (186.1)	—	—	A-FC 8241717H ¹	065935
F	10	27	2-5/8"	5.0	66.1	50.5 (177.5)	61.7 (217.1)	72.9 (256.5)	87.1 (306.3)	69.7 (245.0)	91.8 (322.8)	—	—	A-FC 10272121 ¹	065936
F	10	32	2-5/8"	10.0	66.1	50.5 (177.5)	61.7 (217.1)	72.9 (256.5)	87.1 (306.3)	69.7 (245.0)	91.8 (322.8)	—	—	A-FC 10272121H ¹	065937

A-WC / A-FC SERIES OIL SEPARATORS <CONT'D>

F = FLANGED W = WELDED	DIAMETER (IN)	OVERALL LENGTH (IN)	CONNECTION SIZE (ODF)	LEG HEIGHT (IN)	DISCHARGE MAXIMUM (CFM)	MAXIMUM CAPACITY OF REFRIGERATION AT EVAPORATOR TEMPERATURE (TONS/kW)								MODEL NUMBER	ITEM NUMBER
						R-134a / R-450A / R-513A		R-22 / R-407C / R-448A / R-449A		R-404A / R-507		R-410A			
						-40°F	+40°F	-40°F	+40°F	-40°F	+40°F	-40°F	+40°F		
F	12	35	3-1/8"	10.0	88.9	67.9 (238.9)	83.1 (292.1)	98.1 (345.2)	117.2 (412.2)	93.7 (329.7)	123.5 (434.4)	—	—	A-FC 12302525H	065938
W	4	17	7/8"	3.0	6.7	5.1 (18.1)	6.3 (22.1)	7.4 (26.2)	8.9 (31.2)	7.1 (25.0)	9.4 (32.9)	12.2 (42.8)	13.8 (48.3)	A-WC 41777	065895
W	4	19	1-1/8"	3.0	11.6	8.8 (31.0)	10.8 (38.0)	12.8 (44.9)	15.2 (53.6)	12.2 (42.8)	16.1 (56.4)	20.9 (73.4)	23.7 (83.3)	A-WC 41999	065896
W	6	18	1-3/8"	—	15.9	12.2 (42.8)	14.9 (52.4)	17.6 (61.9)	21.0 (73.9)	16.8 (15.1)	22.1 (77.9)	28.8 (101.2)	32.7 (114.9)	A-WC 6181111	066094
W	6	18	1-5/8"	—	24.4	18.7 (65.6)	22.8 (80.3)	27.0 (94.8)	32.2 (113.2)	25.8 (90.6)	33.9 (119.3)	44.1 (155.1)	50.1 (176.0)	A-WC 6181313	066095
W	6	18	2-1/8"	—	31.3	23.9 (84.0)	29.2 (102.8)	34.5 (121.4)	41.2 (145.0)	33.0 (116.0)	43.5 (152.8)	56.5 (198.6)	64.1 (225.4)	A-WC 6181717	066096

¹ Replaceable Float

A-WC / A-FC SERIES PARTS LIST

DESCRIPTION	MODEL NUMBER	ITEM NUMBER
Oil Separator Flange Gasket	OIL SEPARATOR KIT	065849
Flange with Integral Float Assembly and Flange Gasket, Repairs A-FC, AF, AC and R Series S1900 Standard and 5200 Helical Oil Separators	FLOAT REPAIR KIT	065847



Detailed Product Drawings



A-WZ 55889

A-F / A-W / A-WZ SERIES OIL SEPARATORS

The A-W and A-F are used for multiple compressor racks in supermarkets and air conditioning systems for use with HCFCs, HFCs and their lubricants

FEATURES

- Hermetic welded or accessible bolted flange construction
- Solid copper connections for A-W and A-F
- Nickel plated steel connections for A-WZ
- Corrosion resistant epoxy powder paint

SPECIFICATIONS

Maximum Working Pressure.....	A-W / A-F.....	450 psi (31 bar)
	A-WZ.....	4" shell 600 psig (41 bar)
	A-WZ.....	6" shell 680 psig (47 bar)
UL/CUL File Number.....	A-W / A-F.....	SA10468
	A-WZ.....	SA8547
Canadian CRN.....	(Excludes A-WZ).....	0H20236-5C
CE Marking.....	A-WZ.....	PED 9½3EC

MODEL NUMBER NOMENCLATURE - EXAMPLE: A-F 579213

SERIES	CONNECTION FLARE	STYLE	UNIQUE IDENTIFIER	CONNECTION SIZE	SEQUENTIAL IDENTIFIER	CUSTOMER SPECIAL	PACK TYPE
A		F	5792	13			
A-W / A-F Series	X - 3/8" flare Omit for 1/4" flare	F = Flanged W = Welded WZ = Welded High Pressure		In 1/8" Increments	Blank Thru -99	G = Customer Special (Omit for Standard)	B1 = Bulk Pack (Omit for Individual Pack)

A-F, A-W OIL SEPARATORS

F = FLANGED W = WELDED	MAXIMUM WORKING PRESSURE (PSI)	SHELL DIAMETER (IN)	LENGTH (IN)	CONNECTION SIZE (ODF)	DISCHARGE MAXIMUM (CFM)	PRE-CHARGE AMOUNT (OZ)	MAXIMUM CAPACITY OF REFRIGERATION AT EVAPORATOR TEMPERATURE (TONS/KW)						MODEL NUMBER	ITEM NUMBER
							R-134a / R-450A / R-513A		R-22 / R-407C / R-448A / R-449A		R-404A / R-507			
							-40°F/C	+40°F (4°C)	-40°F/C	+40°F (4°C)	-40°F/C	+40°F (4°C)		
F	450	4	10.5	1/2"	1.49	17	1.0 (3.5)	1.8 (6.2)	1.5 (5.3)	2.0 (7.1)	1.5 (5.3)	2.0 (7.0)	A-F 58824	060877
F	450	6	15	5/8"	3.42	17	3.3 (11.5)	4.5 (15.9)	4.5 (15.9)	5.5 (19.5)	4.0 (14.2)	5.5 (19.0)	A-F 58855	060878
F	450	4	18	7/8"	6.05	17	4.8 (16.8)	6.5 (23.0)	7.0 (24.8)	8.0 (28.3)	6.5 (23.0)	8.5 (30.0)	A-F 58877	060879
F	450	4	21.25	1-1/8"	8.28	17	6.5 (23.0)	8.5 (30.1)	9.0 (31.9)	11.0 (37.2)	8.5 (30.1)	11.0 (38.0)	A-F 58889	060759
F	450	4	21.38	1-3/8"	9.99	17	8.0 (28.3)	11.5 (40.7)	11.5 (40.7)	14.0 (47.8)	10.5 (37.2)	14.0 (49.0)	A-F 589011	060760
F	450	4	21.75	1-5/8"	10.66	17	9.5 (33.6)	13.3 (46.9)	14.0 (49.6)	17.7 (62.0)	14.0 (49.6)	17.0 (60.0)	A-F 589213	060761
F	450	6	29.12	1-5/8"	23.93	21	11.8 (41.6)	16.0 (56.6)	16.0 (56.6)	18.0 (63.7)	17.5 (62.0)	23.0 (81.0)	A-F 579213 ¹	060875
F	450	6	29.31	2-1/8"	30.93	21	18.0 (63.7)	25.6 (89.4)	25.0 (88.5)	30.0 (106.0)	26.0 (92.0)	34.0 (121.0)	A-F 579417 ¹	060876
W	450	4	10.75	1/2"	1.49	17	1.0 (3.5)	1.8 (6.2)	1.5 (5.3)	2.0 (7.1)	1.5 (5.3)	2.0 (7.0)	A-W 55824	060933
W	450	4	13.2	5/8"	3.42	17	3.3 (11.5)	4.5 (15.9)	4.5 (15.9)	5.5 (19.5)	4.0 (14.2)	5.5 (19.0)	A-W 55855	060934
W	450	4	15	7/8"	6.05	17	4.8 (16.8)	6.5 (23.0)	7.0 (24.8)	8.0 (28.3)	6.5 (23.0)	8.5 (30.0)	A-W 55877	060931
W	450	4	16.25	1-1/8"	8.28	17	6.5 (23.0)	8.5 (30.1)	9.0 (31.9)	11.0 (37.2)	8.5 (30.1)	11.0 (38.0)	A-W 55889	060974
W	450	4	19.5	1-3/8"	9.99	17	8.0 (28.3)	11.5 (40.7)	11.5 (40.7)	14.0 (47.8)	10.5 (37.2)	14.0 (49.0)	A-W 559011	060930
W	450	4	19.88	1-5/8"	10.66	17	9.5 (33.6)	13.3 (46.9)	14.0 (49.6)	17.7 (62.0)	14.0 (49.6)	17.0 (60.0)	A-W 559213	060975
W	450	6	15.75	1-3/8"	12.27	20	9.5 (33.4)	13.7 (48.2)	13.0 (45.8)	14.0 (49.8)	11.0 (38.7)	19.0 (66.9)	A-W 569011	060978
W	450	6	19	1-5/8"	14.51	20	11.8 (41.6)	16.0 (56.6)	16.0 (56.6)	18.0 (63.7)	17.5 (62.0)	23.0 (81.0)	A-W 569213	060979
W	450	6	19.5	2-1/8"	21.29	20	18.0 (63.7)	25.6 (89.4)	25.0 (88.5)	30.0 (106.0)	26.0 (92.0)	34.0 (121.0)	A-W 569417	060980

¹ REPLACEABLE FLOAT

A-WZ OIL SEPARATORS

F = FLANGED W = WELDED	MAXIMUM WORKING PRESSURE (PSI)	SHELL DIAMETER (IN)	LENGTH (IN)	CONNECTION SIZE (ODF)	DISCHARGE MAXIMUM (CFM)	PRE-CHARGE AMOUNT (OZ)	MAXIMUM CAPACITY OF REFRIGERATION AT EVAPORATOR TEMPERATURE (TONS/KW)								MODEL NUMBER	ITEM NUMBER
							R-134a / R-450A / R-513A		R-22 / R-407C / R-448A / R-449A		R-404A / R-507		R-410A			
							-40°F/C	+40°F (4°C)	-40°F/C	+40°F (4°C)	-40°F/C	+40°F (4°C)	-40°F/C	+40°F (4°C)		
W	600	4	10.88	1/2"	1.49		1.0 (3.5)	1.8 (6.2)	1.5 (5.3)	2.0 (7.1)	1.5 (5.3)	2.0 (7.0)	2.7 (9.0)	3.1 (11.0)	A-XWZ 55824	66680
W	600	4	10.88	1/2"	1.49	17	1.0 (3.5)	1.8 (6.2)	1.5 (5.3)	2.0 (7.1)	1.5 (5.3)	2.0 (7.0)	2.7 (9.0)	3.1 (11.0)	A-WZ 55824	66135
W	600	4	13.31	5/8"	3.42	17	3.3 (11.5)	4.5 (15.9)	4.5 (15.9)	5.5 (19.5)	4.0 (14.2)	5.5 (19.0)	7.4 (26.0)	8.4 (29.0)	A-WZ 55855	66136
W	600	4	15.13	7/8"	6.05	17	4.8 (16.8)	6.5 (23.0)	7.0 (24.8)	8.0 (28.3)	6.5 (23.0)	8.5 (30.0)	11.0 (38.0)	12.0 (43.0)	A-WZ 55877	66137
W	600	4	16.38	1-1/8"	8.28	17	6.5 (23.0)	8.5 (30.1)	9.0 (31.9)	11.0 (37.2)	8.5 (30.1)	11.0 (38.0)	15.0 (52.0)	17.0 (59.0)	A-WZ 55889	66138
W	600	4	19.63	1-3/8"	9.99	17	8.0 (28.3)	11.5 (40.7)	11.5 (40.7)	14.0 (47.8)	10.5 (37.2)	14.0 (49.0)	19.0 (66.0)	21.0 (75.0)	A-WZ 559011	66139
W	680	6	15.5	1-1/8"	10.05	25	7.7 (27.0)	9.4 (33.0)	11.1 (39.0)	13.3 (46.6)	10.6 (37.3)	14.0 (49.1)	18.2 (63.9)	20.6 (72.5)	A-WZ 56909	66140
W	680	6	18.5	1-1/8"	10.05	25	7.7 (27.0)	9.4 (33.0)	11.1 (40.0)	13.3 (46.6)	10.6 (37.3)	14.0 (49.1)	18.2 (63.9)	20.6 (72.5)	A-WZ 56929	66142
W	680	6	15.75	1-3/8"	12.27	25	9.4 (33.0)	11.5 (40.3)	13.5 (47.6)	16.2 (56.9)	12.9 (45.5)	17.0 (60.0)	22.2 (77.9)	25.1 (88.4)	A-WZ 569011	66141
W	680	6	18.5	1-5/8"	14.51	25	11.1 (39.0)	13.6 (47.7)	16.0 (56.3)	19.1 (67.3)	15.3 (53.8)	20.2 (70.9)	27.4 (96.4)	30.9 (108.8)	A-WZ 569213	66143

A-WC / A-FC SERIES PARTS LIST

DESCRIPTION	MODEL NUMBER	ITEM NUMBER
Oil Separator Flange Gasket	OIL SEPARATOR KIT	065849
Flange with Integral Float Assembly and Flange Gasket, Repairs A-FC, AF, AC and R Series S1900 Standard and 5200 Helical Oil Separators	FLOAT REPAIR KIT	065847



DETAILED
PRODUCT
DRAWINGS



A-FL 0401704S04S-921

A-FL ULTRA HIGH PERFORMANCE COALESCENT OIL SEPARATOR

The A-FL Coalescent Oil Separator provides unmatched efficiency and performance for a wide variety of refrigeration air-conditioning systems where oil migration is a concern. The Coalescent design employs a glass fiber filter cartridge for optimal separation and filtration and incorporates a built-in oil reservoir to reduce the need for additional piping and external components. This design enables the Coalescent Oil Separator to maintain stable, optimal performance at low system load levels, consistently preventing oil migration and improving system energy efficiency across all conditions.

FEATURES

- Internal filter cartridge provides optimal oil separation and 0.3 micron filtration
- Accessible bolted flange construction with replaceable filter
- Corrosion resistant epoxy powder paint
- High efficiency (99%) coalescent separation and contaminant removal

SPECIFICATIONS

Maximum Working Pressure..... 650 psig (45 bar)
UL/CUL File Number SA8547

MODEL NUMBER NOMENCLATURE - Example: A-FL 0401704S04S

SERIES	STYLE	COALESCENT	SHELL DIAMETER	LENGTH	INLET CONNECTION SIZE	INLET CONNECTION TYPE	OUTLET CONNECTION SIZE	OUTLET CONNECTION TYPE	SEQUENTIAL IDENTIFIER	CUSTOMER SPECIAL	PACK TYPE
A	F	L	040	17	04	S	04	S			
A-FL Series	F = Flanged W = Welded	Coalescent Design	Diameter in Inches (XX.X) 040 = 4.0"	In Inches (XX)	In 1/8" Increments	S=ODF	In 1/8" Increments	S=ODF	Blank Thru -999	G = Customer Special (Omit for Standard)	B1=Bulk Pack (Omit for Individual Pack)

A-FL COALESCENT OIL SEPARATORS

DIAMETER (IN)	CONNECTION SIZE (ODF)	LENGTH (IN)	OIL CONNECTION	MAXIMUM CAPACITY OF REFRIGERATION AT EVAPORATOR TEMPERATURE - TONS (kW)								OIL PRE-CHARGE AMOUNT - LITERS (OZ)	MODEL NUMBER	ITEM NUMBER
				R-22 / R-407C / R-444B / R-448A / R-449A		R-134a / R-450A / R-513A / R-1234yf / R-1234ze		R-404A / R-507A / R-452A / R-407A / R-407F		R-410A / R-32				
				-40°F/C	+40°F (4°C)	-40°F/C	+40°F (4°C)	-40°F/C	+40°F (4°C)	-40°F/C	+40°F (4°C)			
4	1/2"	17.0	1/4" SAE	1.1 (3.8)	6.3 (22.1)	0.6 (2.1)	4.1 (14.4)	1.0 (3.5)	6.5 (22.8)	1.7 (5.9)	9.2 (32.4)	1.7 (58)	A-FL 0401704S04S-921	096869
4	5/8"	19.5	1/4" SAE	1.6 (5.6)	8.9 (31.3)	0.9 (3.2)	5.8 (20.4)	1.5 (5.3)	9.1 (32.1)	2.4 (8.6)	12.9 (45.7)	2.1 (71)	A-FL 0402005S05S-922	1837021
4	7/8"	19.5	1/4" SAE	2.2 (7.7)	12.4 (43.5)	1.2 (4.2)	8.1 (28.4)	2.1 (7.3)	12.7 (44.7)	3.4 (11.9)	18.1 (63.6)	2.1 (71)	A-FL 0402007S07S-923	1837013

A-FL SERIES PARTS LIST

DESCRIPTION	FOR USE WITH A-FL MODEL	MODEL NUMBER	ITEM NUMBER
Filter Replacement Kit for Coalescent Oil Separator - 2.5" Filter Assembly	1/2" Connection Models (-921)	A-FL FL1	1818867
Filter Replacement Kit for Coalescent Oil Separator - 4.75" Filter Assembly	5/8" & 7/8" Connection Models (-922 & -923)	A-FL FL2	1836977
Replacement Flange Gasket for A-FL Coalescent Oil Separator	All Models	A-FL GASKET1	1843798

AOR SERIES OIL RESERVOIRS

The AOR oil reservoir is a holding vessel for stand-by oil necessary for the operation of commercial refrigeration systems. It is a direct replacement of popular competitive models.



AOR-2

FEATURES

- Two sight glasses with floating ball indicators - 2 gallon model
- Three sight glasses with floating ball indicators - 4 gallon model
- 3/8" flare roto-lock valves on top and bottom
- Corrosion resistant epoxy powder paint finish
- Standard mounting stud 3/8 x 16 TPI

SPECIFICATIONS

Maximum Working Pressure..... 450 psi (31 bar)
 UL/CUL File Number SA8547

MODEL NUMBER NOMENCLATURE - Example: AOR 3

SERIES	GALLONS	SEQUENTIAL IDENTIFIER	CUSTOMER SPECIAL	PACK TYPE
AOR	3			
AOR Series		Blank Thru -99	G = Customer Special (Omit for Standard)	B1 = Bulk Pack (Omit for Individual Pack)

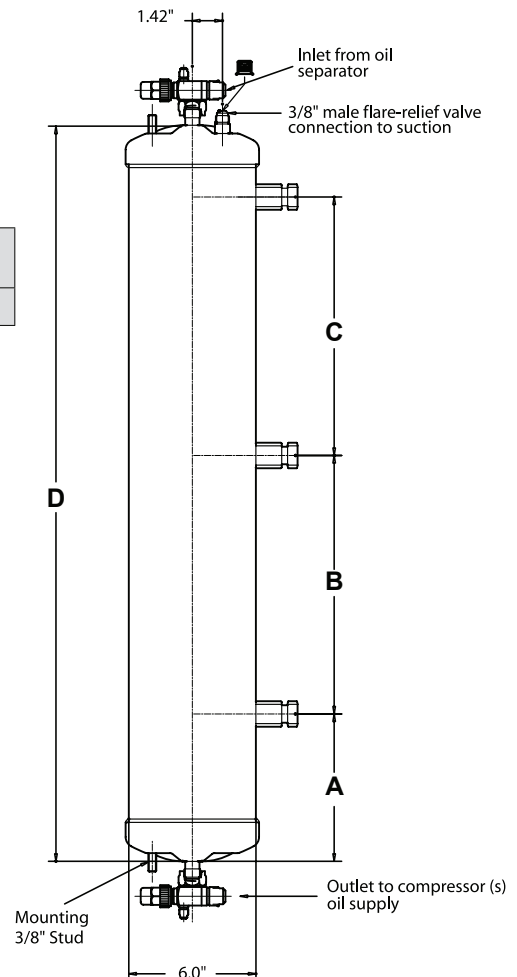
AOR OIL RESERVOIRS

TOTAL VOLUME (GALS)	A LEVEL VOLUME (GALS)	B LEVEL VOLUME (GALS)	C LEVEL VOLUME (GALS)	A (IN)	B (IN)	C (IN)	D (IN)	SIGHT GLASS	MODEL NUMBER	ITEM NUMBER
2	3/4	1-1/2	—	7	6.7	—	16.75	2	AOR 2	64950
3	2/3	1-2/3	2-2/3	6.5	9	9	28.25	3	AOR 3	65981
3	2/3	2-2/3	—	6.5	18	—	28.25	2	AOR 3-01	65283
4	2/3	2	3-1/3	7	12	12	34.75	3	AOR 4	64951

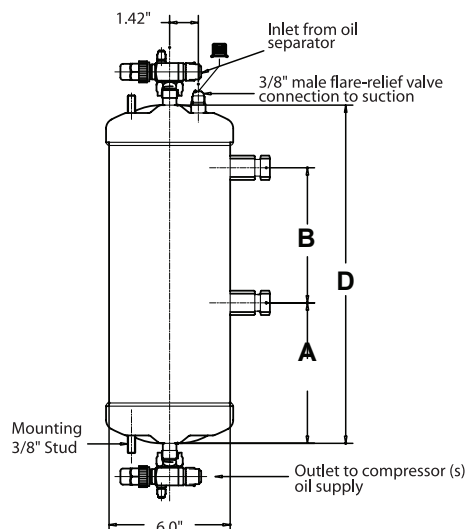
AOR SERIES PARTS LIST

DESCRIPTION	MODEL NUMBER	ITEM NUMBER
AOR Oil Reservoirs Mounting Kit w/ Mounting Brackets, Self-Tapping Bolts & Mounting Stud Nuts	KD-40014	066002

AOR-3, AOR-4



AOR-2, AOR 3-01





AOF 023S

AOF / AOFD SERIES HIGH EFFICIENCY OIL FILTERS / DRIERS

The AOF is designed to protect the compressor from dirt and all solid contaminants including metallic magnetic particles. It is ideal for burnout/clean-up situations. Select models contain desiccant for moisture removal.



AOFD 553

FEATURES

- Compatible with all oils
- Take-apart model features quick change filter cartridge
- Corrosion resistant epoxy powder paint finish
- 100% efficient to 4 micron particles; 99% efficient to 3 micron particles
- Take-apart model 3/8 ODF, Hermetic model 3/8" SAE Connections
- High debris capacity with low pressure drop
- AOFD contains desiccant for moisture removal



AOF 303

SPECIFICATIONS

Maximum Working Pressure Hermetic 680 psi (47 bar)
 Take-apart 480 psi (33 bar)
 UL/CUL File Number SA7175

MODEL NUMBER NOMENCLATURE - Example: AOFD 553

SERIES	DESICCANT	UNIQUE IDENTIFIER	CONNECTION SIZE	CONNECTION STYLE	SEQUENTIAL IDENTIFIER	CUSTOMER SPECIAL	PACK TYPE
AOF	D	55	3				
High Efficiency Oil Filter	D = Desiccant (Omit for No Desiccant)		In 1/8" Increments	S = ODF Omit for SAE	Blank Thru -99	G = Customer Special (Omit for Standard)	B1 = Bulk Pack (Omit for Individual Pack)

AOF HIGH EFFICIENCY OIL FILTER

TYPE	DESICCANT	CONNECTION SIZE	CONNECTION TYPE	ACCESS VALVE	LAY-IN (IN)	DIAMETER (IN)	MODEL NUMBER	ITEM NUMBER
Hermetic	No	3/8"	SAE	No	9.63	3.06	AOF 303	064952
Take-Apart*	No	3/8"	ODF	Single	7.38	2.5	AOF 023S	062784
Filter Cartridge	—	—	—	—	—	—	F 023	064799
Hermetic	Yes	3/8"	SAE	Dual	9.62	3.17	AOFD 553	062829

* Filter Cartridge not included

AOFD WATER CAPACITY TABLE

REFRIGERANT	DROPS @ 125 F
R-22	497
R-134a	518
R-404A	518
R-407C, R-410A	435
R-448A / R-449A	430
R-450A / R-513	480
R-744	563



OMC D120S

OMB / OMC SERIES OIL MANAGEMENT CONTROL

The OMB/C prevents compressor burnout and system downtime by maintaining a proper compressor crankcase oil level. Ideal for all brands of semi-hermetic compressors and recommended for Copeland Scroll™.

FEATURES

- Compressor lockout feature alerts repeated low oil for early system diagnosis and resolution
- Easy monitoring with visual alarm and multi-color status lights
- Hall-effect sensing technology unlike optical sensors, eliminates false detection of possible oil foaming
- System debris retention magnet for reliable control
- Oil level float ball in sight glass allows quick visual indication
- Simple to install with adapters available for various compressor types
- OMC Series offers optional side sight glass that provides oil level view from multiple directions, multiple voltage ratings to eliminate need for stepdown transformer and a self-contained electrical enclosure with conduit connections for field service wiring

OMB/C SERIES OIL MANAGEMENT CONTROL SPECIFICATIONS

SPECIFICATIONS	OMB	OMC	OMC CO2
Maximum Working Pressure (MWP)	870 psig (60 bar)		1885 psig (130 bar)
Solenoid min/max OPD	0/350 psig (0/24 bar)		0/1450 psig (0/100 bar)
Supply Voltage	24V 50/60 Hz	120V or 220-240V, 50/60 Hz	24, 120V OR 220-240V, 50/60 Hz
Solenoid Coil	EMF		
Current Consumption	0.6 Amp (24V)	0.15 Amp (120V), 0.07 Amp (220-240V)	0.6 Amp (24V) 0.15 Amp (120V) 0.07 Amp (220-240V)
Time Delay for Low Level Signal	10 Seconds		
Time Delay After Setpoint Recovery	5 Seconds		
Alarm Delay Time (Including Alarm Contact)	120 Seconds		
Alarm Switch	SPDT		
Alarm Contact Rating	10A @ 120VAC 50/60 Hz, 5A @ 250VAC 50/60 Hz, 3A @ 30VDC		
Refrigerant Compatibility	Class A1 (incl. subcritical CO2); Class A2L R-1234yf, R-1234ze, R-32, R-452B, R-454A, R-454B, R-454C, R-455A		Transcritical CO2
Oil Temperature	-40°F/C to 180°F (82°C) Maximum		
Ambient Temperature - Storage	-40°F/C to 120°F (49°C) Maximum		
Ambient Temperature - Intermittent Duty	-40°F/C to 120°F (49°C) Maximum		
Oil Supply Fitting	1/4" Male SAE (Brass)		
Agency	UL/CUL File Number MP604		

MODEL NUMBER NOMENCLATURE - Example: OMC D120CO2S

SERIES	CONFIGURATION	COIL VOLTAGE	APPLICATION	STRAINER
OMB	D	120	CO2	S
OMB = Oil Management Control	JB = Junction Box MO = Grommet with Leads	24 = 24V 50/60 Hz	K5 = For Copeland K5 Compressor with Adapter (Omit for Standard)	S = Strainer (Omit for No Strainer)
OMC = Oil Management Control Multi-Voltage	D = Dual Sight Glass S = Single Sight Glass (OEM)	24 = 24V 50/60Hz 120 = 120V 50/60 Hz 240 = 240V 50/60 Hz	CO2 = Transcritical CO2 K5 = For Copeland K5 Compressor with Adapter (Omit for Standard)	S = Strainer (Omit for No Strainer)

NOTE: It is recommended that an oil filter be installed on the oil inlet line to further protect the system from contaminants even when the oil management control contains an inlet strainer.

OMB|C SERIES OIL MANAGEMENT CONTROLS

COIL VOLTAGE	APPLICATION	CONFIGURATION	INLET STRAINER	MODEL NUMBER	ITEM NUMBER
24 VAC, 50/60 Hz	Standard	Junction Box	No	OMB JB24	065365
24 VAC, 50/60 Hz	Standard	Grommet With Leads	No	OMB MO24	065366
120 VAC, 50/60 Hz	Standard	Dual Sight Glass	Yes	OMC D120S	096806
220-240 VAC, 50/60 Hz	Standard	Dual Sight Glass	Yes	OMC D240S	096807
24 VAC, 50/60 Hz	Transcritical CO2	Dual Sight Glass	Yes	OMC D24CO2S	1815412
120 VAC, 50/60 Hz	Transcritical CO2	Dual Sight Glass	Yes	OMC D120CO2S	1815404
220-240 VAC, 50/60 Hz	Transcritical CO2	Dual Sight Glass	Yes	OMC D240CO2S	OMC D240CO2S

NOTE: For aftermarket replacement, models with INLET STRAINER replace the previous models that had no strainer.

OM SERIES PARTS LIST

DESCRIPTION	MODEL NUMBER	ITEM NUMBER
OM Strainer Assembly 1/4" Inlet Filter Screen	X-11176-7	048638
AMI / OM Sight Glass O-Rings 50 Count	PS-1525-2	020877
OM Mounting O-Rings (3 Pieces)	KS-30368-1	064812



See oil controls
adapter page for
available adapters



W-OLC-2

W-OLC SERIES MECHANICAL OIL LEVEL CONTROL

The W-OLC controls the oil level in the compressor crankcase with a float operated valve and keeps the oil level at the compressor manufacturer recommended level.

FEATURES

- Corrosion resistant epoxy powder paint finish
- Universal slotted holes for faster installation
- Hard stop design to prevent damage during adjustments

SPECIFICATIONS

Maximum Working Pressure..... 450 psi (31 bar)
 Maximum Operating Pressure Differential 90 psi (6 bar)
 UL/CUL File Number SA8547
 Canadian CRN0E21791.513467890YTN

MODEL NUMBER NOMENCLATURE - Example: W-OLC-2-4

SERIES	SIGHT GLASS	EQUALIZER	SEQUENTIAL IDENTIFIER	CUSTOMER SPECIAL	PACK TYPE
W-OLC	-2				
W-OLC Series	2 = 1/2 Sight Glass 4 = 1/4 Sight Glass 2-4 = 1/4 to 1/2 level (adjustable)	N = No Equalizer Line E = 2 Equalizer Lines (Omit for 1 Equalizer Line)	Blank Thru -99	G = Customer Special (Omit for Standard)	B1 = Bulk Pack (Omit for Individual Pack)

W-OLC SERIES OIL MANAGEMENT CONTROL

SIGHT GLASS LEVEL	MODEL NUMBER	ITEM NUMBER
1/2 Sight Glass	W-OLC-2	064953
1/4 Sight Glass	W-OLC-4	064954
1/4 to 1/2 level (adjustable)	W-OLC-2-4	065170



See oil controls adapter page for available adapters

Instruction Sheet



OIL MANAGEMENT CONTROL ADAPTERS

DESCRIPTION	MODEL NUMBER	ITEM NUMBER	ADAPTER TORQUE TO COMPRESSOR	DRAWING
Screw Adapter 3/4" x 14 NPTF	KS-30376	065668	30 - 40 ft - lbs	<p>1.825 3/4" NPT ADDITIONAL FLANGE RING INCLUDED</p>
Screw Adapter 1-1/8" x 18 UNEF-2A THD All Except Transcritical CO2	KS-30398	066692	37 - 44 ft-lbs	<p>2.339 2.250 1.594 1 1/8-18 UNEF-2A THD</p>
Screw Adapter 1 1/8" x 18 UNEF-2A THD 5 Hole Flange Required For Transcritical CO2	KS-30399	066910	37 - 44 ft-lbs	<p>2.339 2.250 1.594 1 1/8-18 UNEF-2A THD</p>
Screw Adapter, Female Nut 1-3/4" x 12 UNF - 2B THD	KS-30385	066078	30 - 40 ft - lbs	<p>2.000 HEX 3/4" NPT 1 3/4-12 UNF-2B THD ADDITIONAL FLANGE RING INCLUDED</p>
Rotalock Adapter 1-1/4" x 12 UNF-2B THD Includes injection tube for K5 compressors	KS-30394-2	066650	80 ft - lbs	<p>1.143 1.500 1.595 1 1/4-12 UNF-2B THD</p>
Rotalock Adapter 1-1/4" x 12 UNF-2B THD Includes injection tube for K5 compressors	KS-30394-1	066652	80 ft - lbs	<p>2.057 1.500 HEX 1.595 1 1/4-12 UNF-2B THD OIL INJECTION TUBE INCLUDED</p>
Adapter for Copeland Semi-Hermetic	KS-30348	063521	120 in - lbs	<p>1.65 2.36</p>
Screw Adapter 1-1/2" x 18 UNEF - 2A THD	KS-30381	065982	30 - 40 ft - lbs	<p>1 1/2-18 UNEF-2A THD 3/4" NPT ADDITIONAL FLANGE RING INCLUDED</p>

Install oil control to adapter flange (1/4" x 20 UNC x 1" hex bolt) at 120 in-lbs.

DCFM CHARGE CALCULATIONS

EXAMPLE:

System: 9.5 tons, R-404A
 Evaporator Temperature: 25°F
 Condensing Temperature: 115°F

EXAMPLE:

.618 $\frac{\text{DCFM}}{\text{ton}}$ x 9.5 ton = 5.871 CFM
 Oil Separator selected: AF-58877
 DCFM = Cubic feet per minute

In the table for R-404A, search for the value corresponding to the temperatures of evaporation and condensation. This is the DCFM/ton factor. At 25°F evaporator temperature and 115°F condensing temperature, the DCFM/ton is .618. Multiply this by the system tonnage. Use the resulting value to select the proper oil separator. DCFM values can be found on the oil separator catalog pages. Select an oil separator with a capacity greater than or equal to the value obtained.

NOTE: The connection of the separator must never be less than the diameter of the discharge line.

		R-22								
		OIL SEPARATOR DCFM / TON FACTOR								
		CONDENSING TEMPERATURE (°F)								
		130	125	120	115	110	105	100	95	90
EVAPORATING TEMPERATURE (°F)	-40	0.633	0.659	0.687	0.717	0.750	0.786	0.824	0.865	0.910
	-35	0.626	0.652	0.680	0.710	0.743	0.778	0.816	0.857	0.902
	-30	0.619	0.645	0.673	0.704	0.736	0.771	0.809	0.850	0.894
	-25	0.613	0.639	0.667	0.697	0.729	0.764	0.802	0.843	0.887
	-20	0.607	0.633	0.660	0.690	0.723	0.758	0.795	0.836	0.880
	-15	0.601	0.626	0.654	0.684	0.716	0.751	0.788	0.829	0.873
	-10	0.595	0.621	0.648	0.678	0.710	0.745	0.782	0.822	0.866
	-5	0.589	0.615	0.642	0.672	0.704	0.739	0.776	0.816	0.859
	0	0.584	0.609	0.637	0.666	0.698	0.733	0.770	0.809	0.853
	5	0.578	0.604	0.631	0.661	0.693	0.727	0.764	0.803	0.846
	10	0.573	0.599	0.626	0.656	0.687	0.721	0.758	0.797	0.840
	15	0.568	0.594	0.621	0.650	0.682	0.716	0.752	0.792	0.834
	20	0.564	0.589	0.616	0.645	0.677	0.710	0.747	0.786	0.828
	25	0.559	0.584	0.611	0.640	0.672	0.705	0.742	0.781	0.823
	30	0.555	0.580	0.607	0.636	0.667	0.700	0.736	0.775	0.817
	35	0.550	0.575	0.602	0.631	0.662	0.696	0.732	0.770	0.812
40	0.546	0.571	0.598	0.627	0.658	0.691	0.727	0.765	0.807	
45	0.542	0.567	0.594	0.623	0.653	0.687	0.722	0.761	0.802	

		R-134a								
		OIL SEPARATOR DCFM / TON FACTOR								
		CONDENSING TEMPERATURE (°F)								
		130	125	120	115	110	105	100	95	90
EVAPORATING TEMPERATURE (°F)	-40	0.998	1.032	1.070	1.113	1.159	1.210	1.266	1.328	1.395
	-35	0.980	1.015	1.053	1.095	1.141	1.192	1.248	1.310	1.377
	-30	0.963	0.998	1.036	1.078	1.124	1.175	1.231	1.292	1.359
	-25	0.946	0.981	1.019	1.062	1.108	1.158	1.214	1.275	1.341
	-20	0.930	0.965	1.004	1.046	1.092	1.142	1.197	1.258	1.324
	-15	0.915	0.950	0.988	1.030	1.076	1.126	1.181	1.241	1.307
	-10	0.900	0.935	0.973	1.015	1.061	1.111	1.166	1.226	1.291
	-5	0.886	0.921	0.959	1.001	1.047	1.096	1.151	1.210	1.275
	0	0.872	0.907	0.945	0.987	1.032	1.082	1.136	1.195	1.260
	5	0.859	0.894	0.932	0.973	1.019	1.068	1.122	1.181	1.245
	10	0.846	0.881	0.919	0.960	1.006	1.055	1.108	1.167	1.231
	15	0.834	0.869	0.906	0.948	0.993	1.042	1.095	1.153	1.217
	20	0.822	0.857	0.894	0.936	0.980	1.029	1.082	1.140	1.203
	25	0.810	0.845	0.883	0.924	0.968	1.017	1.070	1.127	1.190
	30	0.799	0.834	0.871	0.912	0.957	1.005	1.057	1.115	1.177
	35	0.789	0.823	0.861	0.901	0.945	0.993	1.046	1.103	1.165
40	0.778	0.813	0.850	0.890	0.934	0.982	1.034	1.091	1.153	
45	0.768	0.803	0.840	0.880	0.924	0.971	1.023	1.080	1.141	

		R-404A								
		OIL SEPARATOR DCFM / TON FACTOR								
		CONDENSING TEMPERATURE (°F)								
		130	125	120	115	110	105	100	95	90
EVAPORATING TEMPERATURE (°F)	-40	0.751	0.759	0.771	0.787	0.807	0.830	0.856	0.885	0.918
	-35	0.731	0.740	0.753	0.770	0.790	0.814	0.840	0.870	0.903
	-30	0.712	0.722	0.736	0.754	0.775	0.798	0.825	0.855	0.888
	-25	0.694	0.705	0.720	0.738	0.760	0.784	0.811	0.841	0.874
	-20	0.677	0.689	0.705	0.724	0.745	0.770	0.797	0.827	0.860
	-15	0.661	0.674	0.691	0.710	0.731	0.756	0.783	0.814	0.847
	-10	0.646	0.660	0.677	0.696	0.718	0.743	0.771	0.801	0.834
	-5	0.632	0.646	0.664	0.683	0.706	0.731	0.758	0.789	0.822
	0	0.618	0.633	0.651	0.671	0.694	0.719	0.747	0.777	0.810
	5	0.605	0.621	0.639	0.659	0.682	0.708	0.735	0.766	0.799
	10	0.593	0.609	0.628	0.648	0.671	0.697	0.725	0.755	0.788
	15	0.581	0.598	0.617	0.638	0.661	0.686	0.714	0.745	0.778
	20	0.570	0.587	0.606	0.628	0.651	0.676	0.704	0.735	0.768
	25	0.560	0.577	0.596	0.618	0.641	0.667	0.695	0.725	0.758
	30	0.550	0.568	0.587	0.609	0.632	0.658	0.686	0.716	0.749
	35	0.540	0.558	0.578	0.600	0.623	0.649	0.677	0.707	0.740
40	0.532	0.550	0.570	0.591	0.615	0.641	0.669	0.699	0.732	
45	0.523	0.542	0.562	0.583	0.607	0.633	0.661	0.691	0.723	

		R-407C								
		OIL SEPARATOR DCFM / TON FACTOR								
		CONDENSING TEMPERATURE (°F)								
		130	125	120	115	110	105	100	95	90
EVAPORATING TEMPERATURE (°F)	-40	0.669	0.695	0.722	0.753	0.786	0.822	0.862	0.905	0.952
	-35	0.659	0.684	0.712	0.743	0.776	0.812	0.851	0.894	0.941
	-30	0.649	0.674	0.702	0.733	0.766	0.802	0.841	0.884	0.930
	-25	0.640	0.665	0.693	0.723	0.756	0.792	0.831	0.874	0.920
	-20	0.630	0.656	0.684	0.714	0.747	0.782	0.821	0.864	0.910
	-15	0.621	0.647	0.675	0.705	0.738	0.773	0.812	0.854	0.900
	-10	0.613	0.638	0.666	0.696	0.729	0.764	0.803	0.845	0.891
	-5	0.605	0.630	0.658	0.688	0.720	0.756	0.794	0.836	0.882
	0	0.597	0.622	0.650	0.680	0.712	0.748	0.786	0.828	0.873
	5	0.589	0.614	0.642	0.672	0.704	0.740	0.778	0.819	0.864
	10	0.582	0.607	0.635	0.664	0.697	0.732	0.770	0.811	0.856
	15	0.575	0.600	0.627	0.657	0.689	0.724	0.762	0.803	0.848
	20	0.568	0.593	0.620	0.650	0.682	0.717	0.755	0.796	0.840
	25	0.561	0.586	0.614	0.643	0.675	0.710	0.748	0.788	0.833
	30	0.555	0.580	0.607	0.637	0.669	0.703	0.741	0.781	0.825
	35	0.549	0.574	0.601	0.631	0.662	0.697	0.734	0.774	0.818
40	0.543	0.568	0.595	0.625	0.656	0.691	0.728	0.768	0.812	
45	0.537	0.563	0.590	0.619	0.650	0.685	0.722	0.762	0.805	

		R-410A									
		OIL SEPARATOR DCFM / TON FACTOR									
		CONDENSING TEMPERATURE (°F)									
		130	125	120	115	110	105	100	95	90	
EVAPORATING TEMPERATURE (°F)	-40	0.397	0.415	0.433	0.453	0.475	0.498	0.523	0.549	0.578	
	-35	0.392	0.410	0.429	0.449	0.470	0.493	0.518	0.544	0.573	
	-30	0.388	0.405	0.424	0.444	0.465	0.488	0.513	0.539	0.568	
	-25	0.383	0.401	0.419	0.439	0.461	0.484	0.508	0.535	0.563	
	-20	0.379	0.397	0.415	0.435	0.456	0.479	0.504	0.530	0.559	
	-15	0.375	0.392	0.411	0.431	0.452	0.475	0.500	0.526	0.554	
	-10	0.371	0.388	0.407	0.427	0.448	0.471	0.495	0.522	0.550	
	-5	0.367	0.385	0.403	0.423	0.444	0.467	0.491	0.518	0.546	
	0	0.364	0.381	0.400	0.420	0.441	0.463	0.488	0.514	0.542	
	5	0.360	0.378	0.396	0.416	0.437	0.460	0.484	0.510	0.538	
	10	0.357	0.374	0.393	0.413	0.434	0.456	0.480	0.506	0.534	
	15	0.354	0.371	0.390	0.410	0.431	0.453	0.477	0.503	0.531	
	20	0.351	0.368	0.387	0.406	0.427	0.450	0.474	0.500	0.527	
	25	0.348	0.365	0.384	0.404	0.425	0.447	0.471	0.496	0.524	
	30	0.345	0.363	0.381	0.401	0.422	0.444	0.468	0.494	0.521	
	35	0.343	0.360	0.379	0.398	0.419	0.441	0.465	0.491	0.518	
40	0.340	0.358	0.376	0.396	0.417	0.439	0.463	0.488	0.516		
45	0.338	0.356	0.374	0.394	0.414	0.437	0.460	0.486	0.513		

		R-448A									
		OIL SEPARATOR DCFM / TON FACTOR									
		CONDENSING TEMPERATURE (°F)									
		130	125	120	115	110	105	100	95	90	
EVAPORATING TEMPERATURE (°F)	-40	0.662	0.684	0.709	0.736	0.766	0.799	0.835	0.875	0.917	
	-35	0.651	0.673	0.698	0.725	0.756	0.788	0.824	0.863	0.906	
	-30	0.640	0.663	0.688	0.715	0.745	0.778	0.814	0.853	0.895	
	-25	0.630	0.652	0.677	0.705	0.735	0.768	0.803	0.842	0.885	
	-20	0.620	0.642	0.668	0.695	0.725	0.758	0.793	0.832	0.874	
	-15	0.610	0.633	0.658	0.686	0.716	0.748	0.784	0.822	0.864	
	-10	0.601	0.624	0.649	0.677	0.706	0.739	0.774	0.813	0.855	
	-5	0.592	0.615	0.640	0.668	0.698	0.730	0.765	0.804	0.845	
	0	0.583	0.607	0.632	0.659	0.689	0.722	0.757	0.795	0.836	
	5	0.575	0.599	0.624	0.651	0.681	0.713	0.748	0.786	0.828	
	10	0.568	0.591	0.616	0.643	0.673	0.705	0.740	0.778	0.819	
	15	0.560	0.583	0.609	0.636	0.666	0.698	0.732	0.770	0.811	
	20	0.553	0.576	0.601	0.629	0.658	0.690	0.725	0.762	0.803	
	25	0.546	0.569	0.594	0.622	0.651	0.683	0.718	0.755	0.796	
	30	0.539	0.563	0.588	0.615	0.644	0.676	0.711	0.748	0.788	
	35	0.533	0.556	0.581	0.609	0.638	0.670	0.704	0.741	0.781	
40	0.527	0.550	0.575	0.602	0.632	0.663	0.697	0.734	0.774		
45	0.521	0.544	0.569	0.596	0.626	0.657	0.691	0.728	0.768		

		R-449A									
		OIL SEPARATOR DCFM / TON FACTOR									
		CONDENSING TEMPERATURE (°F)									
		130	125	120	115	110	105	100	95	90	
EVAPORATING TEMPERATURE (°F)	-40	0.622	0.648	0.676	0.707	0.739	0.774	0.812	0.853	0.898	
	-35	0.614	0.640	0.668	0.698	0.730	0.765	0.803	0.844	0.888	
	-30	0.606	0.632	0.659	0.689	0.722	0.757	0.794	0.835	0.879	
	-25	0.598	0.624	0.651	0.681	0.713	0.748	0.785	0.826	0.869	
	-20	0.590	0.616	0.644	0.673	0.705	0.740	0.777	0.817	0.860	
	-15	0.583	0.608	0.636	0.666	0.697	0.732	0.769	0.808	0.851	
	-10	0.576	0.601	0.629	0.658	0.690	0.724	0.760	0.800	0.843	
	-5	0.569	0.594	0.621	0.651	0.682	0.716	0.753	0.792	0.835	
	0	0.562	0.587	0.615	0.644	0.675	0.709	0.745	0.784	0.827	
	5	0.556	0.581	0.608	0.637	0.668	0.702	0.738	0.777	0.819	
	10	0.549	0.575	0.601	0.630	0.661	0.695	0.731	0.769	0.811	
	15	0.543	0.568	0.595	0.624	0.655	0.688	0.724	0.762	0.804	
	20	0.538	0.563	0.589	0.618	0.648	0.682	0.717	0.755	0.797	
	25	0.532	0.557	0.583	0.612	0.642	0.675	0.711	0.749	0.790	
	30	0.527	0.551	0.578	0.606	0.636	0.669	0.704	0.742	0.783	
	35	0.521	0.546	0.572	0.600	0.631	0.663	0.698	0.736	0.777	
40	0.516	0.541	0.567	0.595	0.625	0.658	0.692	0.730	0.771		
45	0.512	0.536	0.562	0.590	0.620	0.652	0.687	0.724	0.765		

		R-507A									
		OIL SEPARATOR DCFM / TON FACTOR									
		CONDENSING TEMPERATURE (°F)									
		130	125	120	115	110	105	100	95	90	
EVAPORATING TEMPERATURE (°F)	-40	0.747	0.753	0.763	0.777	0.795	0.816	0.841	0.869	0.900	
	-35	0.726	0.733	0.745	0.760	0.778	0.800	0.825	0.853	0.884	
	-30	0.707	0.715	0.727	0.743	0.762	0.784	0.810	0.838	0.869	
	-25	0.688	0.698	0.711	0.727	0.747	0.770	0.795	0.824	0.855	
	-20	0.671	0.681	0.695	0.712	0.733	0.755	0.781	0.810	0.841	
	-15	0.654	0.666	0.680	0.698	0.719	0.742	0.768	0.797	0.828	
	-10	0.638	0.651	0.666	0.685	0.705	0.729	0.755	0.784	0.816	
	-5	0.624	0.637	0.653	0.672	0.693	0.716	0.743	0.772	0.803	
	0	0.610	0.624	0.640	0.659	0.681	0.705	0.731	0.760	0.792	
	5	0.596	0.611	0.628	0.647	0.669	0.693	0.720	0.749	0.780	
	10	0.584	0.599	0.617	0.636	0.658	0.682	0.709	0.738	0.770	
	15	0.572	0.588	0.606	0.625	0.647	0.672	0.698	0.727	0.759	
	20	0.561	0.577	0.595	0.615	0.637	0.662	0.688	0.718	0.749	
	25	0.550	0.567	0.585	0.605	0.628	0.652	0.679	0.708	0.740	
	30	0.540	0.557	0.576	0.596	0.619	0.643	0.670	0.699	0.731	
	35	0.531	0.548	0.567	0.587	0.610	0.634	0.661	0.690	0.722	
40	0.528	0.545	0.564	0.585	0.607	0.632	0.659	0.688	0.719		
45	0.513	0.531	0.550	0.571	0.594	0.618	0.645	0.674	0.705		



16E09-101

16E DIGITAL REFRIGERATION TEMPERATURE CONTROL

Superior temperature control and accuracy for both refrigeration and heating applications.

FEATURES

- Multiple input voltages (24/120/208/240 volts) with no common wire required on electrical loads greater than 2.5 amps uninterrupted
- Reduces inventory - replaces most competitive mechanical and electronic Refrigeration controls
- Electronic temperature accuracy/digital display
- Alarm output (with selectable delay - up to 99 minutes)
- Adjustable anti-short cycle delay, Set-point locking function
- Multiple sensor option can be used with 1 or 4 sensors

Voltage	24, 120, 208, 240 VAC
Full Load Amps	16A at 120 VAC, 9.2A at 208 VAC, 8A at 240 VAC
Non-Inductive Amps	16 Amps
Minimum Load	1 Amp @ 24 VAC
Set-point Range.....	-40°F to 200°F (-40° to 104°C)
Differential Range.....	1° to 30°F (1° to 30°C)
Switch Action	SPDT
Dimensions	6.75"H X 3.00"W X 2.57"D
UL/CUL File Number	E12615

16E ELECTRONIC REFRIGERATION TEMPERATURE CONTROL

RANGE	DIFFERENTIAL	SWITCH ACTION	MODEL NUMBER	ITEM NUMBER
-40 to 220°F	1 to 30°F	SPDT	16E09-101	16E09-101

PARTS AND ACCESSORIES

DESCRIPTION	MODEL NUMBER	ITEM NUMBER
Replacement 7.5-ft NTC remote sensor	F136-0114	F136-011400



1609-90

1600 SERIES REFRIGERATION TEMPERATURE CONTROLS

Provide positive control of refrigeration applications where remote control is desired.

FEATURES

- Hydraulic action element
- Dustproof steel case with top and bottom knockouts
- Temperature dial graduated in °F and °C and can be adjusted through cover
- High electrical ratings allow operation of most equipment without use of relays or motor starters
- Model 1609-90 for use in zoning systems where all thermostats control a common compressor and a separate solenoid refrigerant valve in each zone. 16A60 manual reset freeze protection

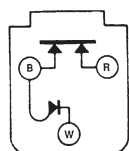
SPECIFICATIONS

Bulb Mounting Clamp included with all models except 1609-90
 Finish..... Grey
 Dimensions 5.38"H X 2.31"W X 2.57"D
 Agency..... UL/CUL

1600 SERIES REFRIGERATION TEMPERATURE CONTROLS

RANGE	DIFFERENTIAL	CAPILLARY LENGTH	BULB SIZE	SWITCH ACTION	MOTOR RATING (FULL LOAD) 120 VAC	MOTOR RATING (FULL LOAD) 240 VAC	MODEL NUMBER	ITEM NUMBER
-20 to 50°F (-29 to 10°C)	Adj. 3 to 25°F (2 to 14°C)	8 ft.	5-3/4" X 3/8"	Close on Rise	7.4A	3.7A	1609-90	16 09 090S1
-30 to 90°F (-34 to 32°C)	Adj. 3.5 to 40°F (2 to 22°C)	5 ft.	5-3/16" X 3/8"	Close on Rise	16.0A	8.0A	1609-101	16 09 101S1
-30 to 90°F (-34 to 32°C)	Adj. 3.5 to 40°F (2 to 22°C)	10 ft.	5-3/16" X 3/8"	Close on Rise	16.0A	8.0A	1609-103	16 09 103S1
-30 to 90°F (-34 to 32°C)	Adj. 3.5 to 40°F (2 to 22°C)	20 ft.	5-3/16" X 3/8"	Close on Rise	16.0A	8.0A	1609-104	16 09 104S1
-30 to 90°F (-34 to 32°C)	Adj. 3.5 to 40°F (2 to 22°C)	5 ft.	5-3/16" X 3/8"	Close on Rise	16.0A	8.0A	1609-105 ①	16 09 105S1
-30 to 90°F (-34 to 32°C)	Adj. 4.5 to 40°F (2.5 to 22°C)	8 ft.	5-3/16" X 3/8"	SPDT	7.4A	3.7A	1687-9	16 87 009S1
-30 to 50°F (-34 to 10°C)	Manual Reset	10 ft.	5-3/16" X 3/8"	Open on Fall	7.4A	3.7A	16A60-9	16A60 009S1

① Knob adjustment.

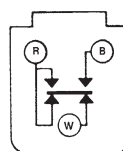


HH2C CONTACT STRUCTURE

HH2C Rated Controls

SWITCH ACTION

Double pole, single throw.
 B terminal is common.
 B-R and B-W contacts both close on a rise of temperature.



SPDT CONTACT STRUCTURE

SPDT Rated Controls

SWITCH ACTION

R-B Open on Rise
 R-W Close on Rise



201-8

200 SERIES REFRIGERATION TEMPERATURE CONTROLS

Designed for use in garages, factories, warehouses and similar commercial and industrial installations.

FEATURES

- Handles inductive and non-inductive loads
- No leveling required and mounts in any position
- Quick response to temperature changes
- Nickel plated element

SPECIFICATIONS

Dimensions 5.38"H + 2.50"coil X 2.32"W X 2.57"D
 Finish..... Grey
 UL/CUL File Number SA749

200 SERIES REFRIGERATION TEMPERATURE CONTROLS

RANGE	DIFFERENTIAL	SWITCH ACTION	MOTOR RATING (FULL LOAD) 120 VAC	MOTOR RATING (FULL LOAD) 240 VAC	RESISTIVE (NON-INDUCTIVE) 120 VAC	RESISTIVE (NON-INDUCTIVE) 240 VAC	MODEL NUMBER	ITEM NUMBER
20 to 90°F (-6 to 32°C)	Adj. 3 to 20°F (1.5 to 11°C)	Close on Rise	16.0A	8.0A	25.0A	22.0A	201-8	02 01 008S1
-30 to 90°F (-34 to 32°C)	Adj. 3 to 20°F (1.5 to 11°C)	Close on Rise	16.0A	8.0A	25.0A	22.0A	201-20	02 01 020S1

See White-Rodgers General Information for full electrical ratings. 201-8 and 201-20 are rated FGH.



PS1-X5A

PS1 SERIES PRESSURES SWITCH SINGLE CONTROL

PS1 Single Pressure Controls are designed for use on high and low pressure applications in refrigeration, air conditioning and heat pump systems, providing single-device control of the compressor or other electrical device.

FEATURES

- Adjustable pressures and differentials
- Narrow adjustable differential depending on model
- Range and differential pointer in units bar and psig
- Range and differential individually lockable by tab
- High rated SPDT contacts for all versions
- Captive terminal and cover screws
- Manual toggle for system checkout and override
- Automatic and manual reset versions available

SPECIFICATIONS

Electrical Ratings SPDT Switch Rated for 12 FLA and 72 LRA
at 240 VAC and 16 FLA and 96 LRA at 120 VAC
 UL/CUL File NumberE85974,
CE per (LVD) Low Voltage Directive

MODEL NUMBER NOMENCLATURE - Example: PS1-X3A

SERIES	FUNCTION		PRESSURE RANGE	CONNECTION TYPE	SEQUENTIAL IDENTIFIER	CUSTOMER SPECIAL	PACK TYPE
PS1	-X		3	A			
Single Adjustable Pressure Switch	X = Auto Reset Y = Manual Reset - External	External Range and Differential Adjustments	3 = 9"Hg to 102 psig (0.3 to 7 bar) 4 = 29 to 290 psig (2 to 20 bar) 5 = 87 to 464 psig (6 to 32 bar)	A = 1/4" SAE Male Flare K = 1 m (3 ft.) Cap Tube, 1/4" Flare Nut	Blank Thru -99	G = Customer Special (Omit for Standard)	B1 = Bulk Pack (Omit for Individual Pack)

PS1 PRESSURE SWITCH SERIES SINGLE CONTROL

CONTROL TYPE LOW / HIGH	FUNCTION	PRESSURE RANGE (PSIG)	DIFFERENTIAL (PSIG)	FACTORY SETTING (PSIG)	CONNECTION TYPE	MODEL NUMBER	ITEM NUMBER
Low	Auto Reset	4.4 to 102 psig, 0.3 to 7 bar	15 to 73 psig	49/65 psig	1/4" SAE Male Flare	PS1-X3A	099022
Low	Manual Reset	4.4 to 102 psig, 0.3 to 7 bar	15 to 73 psig	49/65 psig	1m (3 ft.) Cap Tube, 1/4" Flare Nut	PS1-X3K	099024
High	Auto Reset	87 to 464 psig, 6 to 32 bar	44 to 218 psig	141/280 psig	1/4" SAE Male Flare	PS1-X5A	099026
High	Manual Reset	87 to 464 psig, 6 to 32 bar	44 to 218 psig	230/290 psig	1m (3 ft.) Cap Tube, 1/4" Flare Nut	PS1-X5K	099027
High	Manual Reset	87 to 464 psig, 6 to 32 bar	Fixed	290 psig	1m (3 ft.) Cap Tube, 1/4" Flare Nut	PS1-Y5K	099030



PS2-Y7A

PS2 SERIES PRESSURE SWITCH DUAL CONTROL

PS2 Dual Pressure Controls are designed for use on high and low pressure applications in refrigeration, air conditioning, and heat pump systems. This control reacts to changes in either low or high side pressures, providing single-device control of the compressor or other electrical device.

FEATURES

- Adjustable pressures and differentials
- Narrow adjustable differential depending on model
- Range and differential pointer in units bar and psig
- Range and differential individually lockable by tab
- High rated SPDT contacts for all versions
- Captive terminal and cover screws
- Manual toggle for system checkout and override
- Factory installed wire bridge for reduced installation effort
- High side convertible from manual to auto reset.
- Automatic and manual reset models available

SPECIFICATIONS

Electrical Ratings SPDT Switch Rated for 12 FLA and 72 LRA at 240 VAC
and 16 FLA and 96 LRA at 120 VAC
 UL/CUL File Number E85974
CE per (LVD) Low Voltage Directive

MODEL NUMBER NOMENCLATURE - Example: PS2-Y7A

SERIES	FUNCTION		PRESSURE RANGE	CONNECTION TYPE
PS2	-Y		7	A
Dual Adjustable Pressure Switch	X = Auto Reset	Internal range and differential adjustments	7 = Left Side: 9"Hg to 102 psig (-0.3 to 7 bar) Right Side: 87 to 464 psig (6 to 32 bar)	A = 1/4" SAE Male Flare K = 1 m (3 ft.) Cap Tube, 1/4" Flare Nut L = 1 m (3 ft.) Cap Tube, 1/4" ODM Solder Connection
	Y = Low Side: Auto Reset High Side: Convertible Reset	External range and differential adjustments		

PS2 PRESSURE SWITCH DUAL CONTROL

FUNCTION	LOW PRESSURE SIDE			HIGH PRESSURE SIDE			CONNECTION TYPE	MODEL NUMBER	ITEM NUMBER
	PRESSURE RANGE	DIFFERENTIAL RANGE	FACTORY SETTING	PRESSURE RANGE	DIFFERENTIAL	FACTORY SETTING			
Auto Reset	4.4 to 102 psig, 0.3 to 7 bar	15 to 73 psig	49/65 psig	87 to 464 psig	Fixed	290 psig	1/4" SAE Male Flare	PS2-Y7A	099008
Manual Reset	4.4 to 102 psig, 0.3 to 7 bar	15 to 73 psig	49/65 psig	87 to 464 psig	Fixed	290 psig	1 m (3 ft.) Cap Tube w/1/4" Flare Nut	PS2-Y7K	099009



PSC-W6S 0097793

PSC SERIES MINI PRESSURE CONTROL

The PSC Mini Pressure Control is a commercial grade control with a standard plug connectible design that simplifies installation and service. Typical applications include high pressure limit/alarm, condenser fan cycling, low pressure limit/alarm, low pressure cycling, defrost termination/fan delay, and rupture guard alarm.

FEATURES

- Mini-size 2"X 1-1/2" X 2-3/4"
- Standard SPDT switch action
- Automatic or manual reset
- Models available with high temperature bellows and built-in pressure pulsation snubber for direct head mount high pressure sensing/limit applications
- Plug connectible with hub for 1/2" flexible conduit
- Factory preset to customer desired pressure specifications
- Precise, repeatable settings
- Narrow differential "Micro" switch available on low pressure models

SPECIFICATIONS

Electrical Rating Standard Switch..... SPDT Standard Switch - High/Low Pressure
 Load Contact: 6 FLA - 36 LRA - 120/240 VAC
 Pilot Duty: 240 VAC @ 120, 480 Va @ 240 VAC
 Electrical Rating Micro Switch..... Micro Switch - Low Pressure
 2.5 FLA - 15 LRA - 120/240 VAC
 Pilot Duty: 120 Va @ 120, 240 Va @ 240 VAC
 Ambient Temperature Storage -30° to +160°F, Operating -20° to +140°F
 Low Pressure - Single Diaphragm Maximum Media Temperature150°F
 High Pressure - Bellows Design Maximum Media Temperature300°F
 Internal Pressure Pulsation Snubber Available For Direct Head Mount
 Weight Approximately 0.25 lb. Depending on Configuration
 CompatibilityHFC, HCFC, CFC
 Worldwide Approvals UL/CUL/VDE/TUV
 UL/CUL File NumberE85974

MODEL NUMBER NOMENCLATURE - Example: PSC-W6S 0097793

SERIES	FUNCTION	PRESSURE RANGE / CONTACTS	PRESSURE CONNECTIONS	UNIQUE IDENTIFIER
PSC	-W	6	S	0097793
Mini Pressure Control	<p>A = Pressure Control, Automatic, high or low pressure applications (single diaphragm option, 158°F rating, range 1-5 only, without snubber) (bellows option, 300°F rating, with snubber, range 6 only)</p> <p>B = Pressure Cut-Out, External Manual Reset, din/tuv approved (double diaphragm option, 158°F, without snubber, range 1-5) (bellows option, 300°F rating, with snubber, range 6 only)</p> <p>R = Pressure Control, External Manual Reset, high or low pressure applications (single diaphragm option, 158°F rating, range 1-5 only, without snubber) (bellows option, 300°F rating, with snubber, range 6 only)</p> <p>W = Pressure Limiter, Automatic, din/tuv approved (double diaphragm option, 158°F, without snubber, range 1-5) (bellows option, 300° F rating, with snubber, range 6 only)</p>	<p>Standard Contacts</p> <p>1 = low pressure 15" hg to 90 psig</p> <p>5 = high pressure 100 to 465 psig</p> <p>6 = high pressure 145 to 623 psig</p> <p>Microswitch Contacts</p> <p>J = low pressure 15" hg to 90 psig</p>	<p>K = 1m (3 ft) cap tube with 1/4" flare nut (range 1-5)</p> <p>I = 1m (3 ft) cap tube with 1/4" odm solder connection (range 1-5)</p> <p>S = 1/4" female flare fitting, schrader depressor (range 1-6)</p>	

PSC SERIES MINI PRESSURE CONTROL

HIGH EVENT RANGE (PSIG)	DIFFERENTIAL RANGE (PSID)	PRESSURE SETTING	RESET FUNCTION	PRESSURE CONNECTION	ELECTRICAL CONNECTION	ELECTRICAL RATINGS	MAXIMUM OVER PRESSURE	MOUNTING OPTIONS	MODEL NUMBER	ITEM NUMBER
LOW PRESSURE CONTROLS										
15 to 90	9 Low/15 High	5/15	Auto	1/4" Female Flare with Schrader Depressor Range 1-6	DIN Plug with 1/2" NPTF Hub for Flex Conduit Connection 36" Cable	6 FLA/36 LRA	360 psig	Free Standing Direct Mount	PSC-A1S 0097849	097849
15 to 90	4 Low/7 High	1.5/6	Auto	1/4" Female Flare with Schrader Depressor Range 1-6	DIN Plug with 1/2" NPTF Hub for Flex Conduit Connection 36" Cable	2.5 FLA/15 LRA	360 psig	Free Standing Direct Mount	PSC-AJS 0097815¹	097815
HIGH PRESSURE CONTROLS										
145 to 623	72 Low/87 High	395	Pressure Cut-Out, External Manual	1/4" Female Flare with Schrader Depressor Plus Stainless Steel Bellows with Snubber, Range 1-6	DIN Plug with 1/2" NPTF Hub for Flex Conduit Connection 36" Cable	6 FLA/36 LRA	695 psig	Free Standing Direct Mount	PSC-B6S 0097998	097998
145 to 623	72 Low/87 High	320/395	Pressure Limiter, Auto	1/4" Female Flare with Schrader Depressor Plus Stainless Steel Bellows with Snubber, Range 1-6	DIN Plug with 1/2" NPTF Hub for Flex Conduit Connection 36" Cable	6 FLA/36 LRA	695 psig	Free Standing Direct Mount	PSC-W6S 0097793	097793

¹ Micro-Switch Construction.



FD113-ZUK

FD113-ZUK OIL PRESSURE SAFETY

The FD113 Oil Pressure Safety Control senses the effective oil pressure on pressure lubricated compressors. If inadequate oil pressure exists, a time delay is energized. If the oil pressure does not recover to safe levels within the time delay setting, the compressor is shut down.

FEATURES

- Pressure range adjustable from 4 to 65 psid; Timer start pressure - timer stop pressure is 3 psid above timer start pressure
- A SPDT switch is used in the pressure portion of the control which allows the addition of a safe-light when desired
- Electronic timer is time-adjustable from 20 to 150 seconds supply voltage - 24 to 240 Volt AC/DC; timing unaffected by voltage or ambient temperature variations
- A SPDT manual reset switch is used in the timer module; Upon time-out, the compressor is stopped and an alarm circuit is energized; To restart the compressor and de-energize the alarm circuit, the reset button is pushed
- A factory installed Jumper allows the FD113 to be powered from a single source power; Should separate circuits be desired for the timer and lockout switch, the Jumper can be removed

SPECIFICATIONS

Approvals UL/CUL File Number E85974, VDE 0631/0660
 TÜV, CE 73/23/EWG, CE 93/68/EWG

ADJUSTABLE PRESSURE RANGE (PSID)	ADJUSTABLE TIME DELAY	SUPPLY VOLTAGE	PRESSURE CONNECTORS	MODEL NUMBER	ITEM NUMBER
4-65	20 to 150 Seconds (Factory-Set at 120 Seconds)	24 to 240V AC/DC	(2) 36" Capillary with 1/4" Flare Nut	FD113-ZUK	097456

FSY SERIES ELECTRIC FAN SPEED CONTROL



FSY-43S 0097782

The FSY Fan Speed Control controls the head pressure in air - cooled condensers and is designed for use with permanent split capacitor and shaded pole fan motors.

FEATURES

- Connector includes 2 m. cable installed (FSF and FSO)
- Connector turnable (in 90° steps)
- Compact design
- State-of-the-art electronics
- Direct mount - Easily retrofit to suitable motor
- Low pressure turn off operation
- Adjustable pressure setting
- Multiple FSX controls can be used in parallel on multi - circuit condensers
- 2 Cable types: FSF-N15 with internal circuit design to comply with EC-Directive 89/336/EC (Electromagnetic compatibility requirements for Europe FSO-N15, standard with internal voltage spike and over current protection

SPECIFICATIONS

Nominal current 0.1 to 4 A max up to 104°F (40°C) + 0.1 to 2.5 A max up to 140°F (60°C)
 Starting Current Max 8 Amp
 Temperature Range..... Storage and transportation 30°C to 70°C
 Ambient temperature -20°C to 55°C,
 Medium temperature -20°C to 70°C
 Supply Voltage 230 VAC + 15-20%
 Enclosure Provide enclosure to protect from direct rain,
 sunlight and external damage
 Weight 3.5 ounces
 Approvals..... UL/CUL file number E183816 CE low voltage
 directive 72/23/EC connector per DIN 43650

MODEL NUMBER NOMENCLATURE - Example: FSY-43S 0097782

SERIES	CUT OFF MODE	MAX CURRENT RATING	PRESSURE RANGE	PRESSURE CONNECTION	UNIQUE IDENTIFIER
FS	Y	-4	3	S	0097782
Fan Speed Control	Y = 0, 1A min	4 = 4 Amps maximum at 104°F ambient temp.	3 = 12.4 to 28.4 (128- to 411 psig), modulating band 66 psig, factory setting 16.1 bar (233 psig)	S = 1/4" SAE female (7/16" -20 UNF) with Schrader Depressor	

FSY SERIES ELECTRIC FAN SPEED CONTROL

CURRENT RATING	ADJUSTABLE RANGE (PSIG)	MODULATING BAND (PSIG)	FACTORY SETTING (PSIG)	PRESSURE CONNECTION	VOLTAGE	MODEL NUMBER	ITEM NUMBER
4 (4 Amps Maximum at 104°F Ambient Operating Temperature)	180 to 411	66	233	S = (1/4" SAE Female, 7/16" -20 UNF with Schrader Depressor)	230 VAC + 15-20%	FSY-43S 0097782	097782

FSY SERIES PARTS LIST

DESCRIPTION	MODEL NUMBER	ITEM NUMBER
FSY Temperature Pressure Control DIN Connector (EMC)	FSF-N15 804640	097995
FSO Temperature Pressure Control DIN Connector(Standard)	FSD-N15 804630	097775

A GUIDE TO THE WHITE-RODGERS NUMBERING SYSTEM

Older models start with the dash in the basic Model Number, then working to the left, eliminate all letters. The number remaining will give you the Series and Control Category listed in the box below.

EXAMPLE: 1F95-1291 Leave out the letter F, the number remaining is 195 or a 100 series of room thermostats

EXAMPLE: 21D18-3 Leave out the letter D, the number remaining is 2118 or a 2100 series of pre-packaged kits

SERIES	CONTROL CATEGORY	SERIES	CONTROL CATEGORY	SERIES	CONTROL CATEGORY
100	Room Thermostats	900	Flame Detectors	2400	Sequencers and Time Delay Relays
200	Space Thermostats	1000	Temperature Controls	2500	Solenoid Gas Valves
300	Fan or Limits	1100	Hot Water Controls	3000	Mercury Flame Sensors
400	Limits, Fans and Temperature Controls	1300	Zone Valves and Hydronics	3400	Commercial Motor Actuators
500	Fan, Limit or Fan and Limits	1600	Refrigeration Temperature	3600	Combination Gas Manifold Valves
600	Oil Controls	1700	Refrigeration Temperature	3700	Gas Water Heater Controls
700	Miscellaneous Controls	2000	Motorized Zone Dampers	3900	Commercial Economizers
800	Relays	2100	Pre-Packaged Kits	5000	Ignition Components

MODEL AND TYPE NUMBER EXAMPLES

SERIES	100	800	3600	Allows for up to 100 basic models in each
MODEL	165	848	3603	Basic model number within a series
MODEL	1A65	8B48	36C03	Letter after first or second digit of model number identifies another control model after the basic model, which allows expansion of the numbering system
MODEL		8B48A	36C03U	Letter after Model number (or absence of letter) identifies operator coil voltage* (see table below)
TYPE	1A65-641	8B48A-217	36C03U-333	Dash number identifies a specific device within a control model. Model number plus dash number/type number

VOLTAGE DESIGNATIONS (60 HZ)

CODE *	VOLTAGE	VOLTAGE DESIGNATIONS ON GAS VALVES & SWITCHING RELAYS		
No Letter	24 VAC	No Letter —	24 VAC	36C03-333
A	120 VAC	Letter A —	120 VAC	36C03A-310
E	208 VAC	Letter E —	208 VAC	24A06E-1
G	240 VAC	Letter G —	240 VAC	24A06G-1
U	750mv DC	Letter U —	750mv DC	36C03U-333
Z	SPECIAL	Letter Z —	SPECIAL	24A06Z-1

* These designations only apply to power consuming devices that operate at a specific voltage (relays, solenoids, gas valves, motors, etc.) They are not used with thermostats or temperature controls.

PIPE SIZE DESIGNATIONS (Gas valves only)

PIPE SIZE	SUFFIX NO.
3/8 x 3/8	1 thru 49
1/2 x 1/2 INV. FL.	50 thru 74
3/4 x 1/2	75 thru 90
1/2 x 3/8	100 thru 199
1/2 x 1/2	200 thru 299
1/2 x 3/4	300 thru 399

SINGLE STAGE MECHANICAL LOW VOLTAGE THERMOSTAT LEGEND

	VERTICAL	HORIZONTAL	EXAMPLE
Snap Action Contacts	C	D	1C30, 1D35
*Mercury Bulb Switch	E	F	1E30, 1F56

* Mercury bulb thermostats are no longer produced. See current models for specifications.

ELECTRIC & GAS CONVERSION & CAPACITY TABLES

ELECTRIC

CONVERSION TABLE FOR WATTS – AMPERES – VOLTS

WATTS	VOLTAGE (AC - SINGLE PHASE)			
	120	208	240	277
	AMPERES			
500	4.2	2.4	2.1	1.8
1000	8.3	4.8	4.2	3.6
1500	12.5	7.2	6.3	5.4
2000	16.7	9.6	8.3	7.2
2500	20.9	12	10.4	9
3000	25	14.4	12.5	10.8
3500	29.2	16.8	14.6	12.6
4000	33.3	19.2	16.7	14.4
4500	37.5	21.6	18.8	16.3
5000	41.7	24	20.8	18

VARIATIONS OF OHMS LAW

$$I \text{ (Amps)} = \frac{P \text{ (Watts)}}{E \text{ (Volts)}} = \frac{E \text{ (Volts)}}{R \text{ (Ohms)}}$$

$$R \text{ (Resistance)} = \frac{E \text{ (Volts)}}{I \text{ (Amps)}} = \frac{P \text{ (Watts)}}{I^2 \text{ (Amps)}}$$

$$E \text{ (Volts)} = I \text{ (Amps)} \times R \text{ (Ohms)} = \frac{P \text{ (Watts)}}{I \text{ (Amps)}}$$

$$P \text{ (Watts)} = I^2 \text{ (Amps)} \times R \text{ (Ohms)} = I \text{ (Amps)} \times E \text{ (Volts)}$$

GAS

CONVERSION FACTORS FOR GAS VALVE CAPACITIES

TOTAL HEATING VALUE (BTU/CU.)	SPECIFIC GRAVITY	CONVERSION FACTOR MULTIPLY LISTED CAPACITY BY:
Less than 800	0.6	0.516
800 to 950	0.7	0.765
2500 (LP Gas)	1.53	1.62

RATE OF FLOW OF GASES THROUGH ORIFICES

Table for **NATURAL GAS** at 3.5"W.C. with 1000 Btu/Cu. Ft., .65 Specific Gravity and .82 orifice coefficient.

DRILL SIZE	DIAMETER IN.	NATURAL GAS (BTU/HR)	DRILL SIZE	DIAMETER (INCHES)	NATURAL GAS (BTU/HR)
56	0.0465	5,359	26	0.147	53,500
54	0.055	7,510	22	0.157	61,100
52	0.0635	10,000	18	0.1695	71,200
46	0.081	16,250	12	0.189	88,600
42	0.0935	21,680	6	0.204	103,200
38	0.1015	25,530	2	0.221	121,100
34	0.111	30,550	A	0.234	135,700
31	0.12	35,690	E(1/4)	0.25	154,900
30	0.1285	40,900			

MAXIMUM WIRE LENGTHS FOR SELF-GENERATION SYSTEMS

WIRE SIZES	MAX. LENGTH (2-WIRE CABLE)	MAXIMUM COMBINED LENGTH (2 SINGLE WIRES)
No. 18	30 ft.	60 ft.
No. 16	50 ft.	100 ft.
No. 14	80 ft.	160 ft.

Because of the small amount of power available on self-generating systems, the gas valve may not operate if there is too much resistance in the circuit. Therefore, choose a location that does not require any more wire than the recommended lengths shown in the table above.

HEAT & POWER EQUIVALENTS

1 Btu	252 calories
1 Btu/Hr	0.293 watts
1 Watt	3.413 Btu/Hr
1 KW (1000 Watts)	3413 Btu/Hr
1 Hp	0.746 KW

PRESSURE CONVERSION TABLE

1" Water	0.361 lbs/sq.in. or 0.0735 in. Mercury
1" Mercury	13.6 in. water or 0.491 lbs/sq. in.
1 PSI	27.7 in. water or 2.036 in. Mercury

BTU CONTENT OF FUELS

Natural Gas	950 to 1,150 Btu/Cu. Ft.
Butane Gas	3,200 Btu/Cu. Ft.
Propane (LP) Gas	2,500 Btu/Cu. Ft.
No. 2 Oil	140,000 Btu/Gallon

Table for **PROPANE (LP) GAS** at 11.0"W.C. with 2500 Btu/Cu. Ft. 1.53 Specific Gravity and .80 orifice coefficient.

DRILL SIZE	DIAMETER IN.	LP GAS (BTU/HR)	DRILL SIZE	DIAMETER IN.	LP GAS (BTU/HR)
70	0.028	5,490	46	0.081	45,800
67	0.032	7,150	44	0.086	51,600
64	0.036	9,050	42	0.0935	61,100
61	0.039	10,600	38	0.1015	72,000
58	0.042	12,300	34	0.111	86,200
56	0.0465	15,100	30	0.1285	115,300
54	0.055	21,200	26	0.147	151,000
52	0.0635	28,200	22	0.157	172,000
50	0.07	34,200	18	0.1695	200,500
48	0.076	40,400			

FULL ELECTRICAL RATINGS OF WHITE-RODGERS CONTROLS

Any number of motors may be operated from one control provided that neither the sum of the full load currents nor the sum of the locked rotor currents are greater than the rating of the control. If the electric load consists of an oil burner motor and ignition transformer in parallel, the motor current plus the transformer current cannot exceed the values shown.

MOTOR (AMPS)

POWER SUPPLY AND LOAD	SIMPLIFIED RATING CODE OF WHITE-RODGERS CONTROLS												
	FG	FGH	HT	HTV	HH	B	CF	CL	FB	SPDT	R	HH2C	
												WHITE	RED
120 VAC Full Load	14	16	14	10	7.4	7.4	8	10	7.4	7.4	3.2	7.4	7.4
120 VAC Locked Rotor	84	84	84	60	44.5	44.5	48	60	44.5	44.5	19.2	44.5	44.5
240 VAC Full Load	7	8	7	6	3.7	3.7	6	6	3.7	3.7	1.5	3.7	3.7
240 VAC Locked Rotor	42	42	42	36	22.2	22.2	36	36	22.2	22.2	9.6	22.2	22.2

VALVES, RELAYS, MOTOR STARTERS (AMPS)

POWER SUPPLY	SIMPLIFIED RATING CODE OF WHITE-RODGERS CONTROLS												
	FG	FGH	HT	HTV	HH	B	CF	CL	FB	SPDT	R	HH2C	
												WHITE	RED
0.3 to 12v DC	①	①	①	1.0	①	①	①	1.0	①	①	①	①	①
25 VAC	5.6	5.6	5.6	6.0	2.9	2.9	3.2	4.0	2.9	2.9	1.2	2.9	2.9
120 VAC	5.6	5.6	5.6	6.0	2.9	2.9	3.2	4.0	2.9	2.9	1.2	2.9	2.9
240 VAC	2.8	2.8	2.8	2.4	1.4	1.4	2.4	2.4	1.4	1.4	0.6	1.4	1.4
600 VAC	125VA	125VA	①	①	①	125VA	①	①	125VA	125VA	①	①	①

ELECTRIC HEATERS (AMPS)

POWER SUPPLY	SIMPLIFIED RATING CODE OF WHITE-RODGERS CONTROLS												
	FG	FGH	HT	HTV	HH	B	CF	CL	FB	SPDT	R	HH2C	
												WHITE	RED
120 VAC	25.0	25.0	14.0	10.0	7.4	25.0	8.0	10.0	25.0	24.0	5.0	②	②
240 VAC	22.0	22.0	7.0	6.0	3.7	20.0	6.0	6.0	20.0	20.0	2.5	②	②
277 VAC	18	18	①	①	①	18	①	①	18	①	①	②	②

LAMPS (WATTS)

POWER SUPPLY	SIMPLIFIED RATING CODE OF WHITE-RODGERS CONTROLS												
	FG	FGH	HT	HTV	HH	B	CF	CL	FB	SPDT	R	HH2C	
												WHITE	RED
120 VAC	1000	1000	1000	700	500	500	700	700	500	500	200	②	②
240 VAC	1000	1000	1000	800	500	500	800	800	500	500	200	②	②

① Indicates that control CANNOT be used on that power supply and load. ② Indicates that control is not likely to be used on that power supply and load. 125VA means 125 volt amperes; for example: 125VA at 440 volts would be 125 ÷ 440 equals 0.28 amperes

HORSEPOWER AMPERE TABLE

Electrical ratings of White-Rodgers controls are always given in amperes. In general, these ampere ratings correspond to the various horsepower ratings given in the table.

The ampere rating of all motors will not necessarily correspond to the horsepower rating shown in the table. Therefore, the control device selected must have a rating that is equal to (or greater than) the actual full load and locked rotor currents of the motor.

APPROXIMATE HORSEPOWER	FULL LOAD	LOCKED ROTOR	FULL LOAD	LOCKED ROTOR
1/10	3	18.0	1.5	9
1/8	3.8	22.8	1.9	11.4
1/8	4.4	26.4	2.2	13.2
1/4	5.8	34.8	2.9	17.4
1/3	7.2	43.2	3.6	21.6
1/2	9.8	58.8	4.9	29.4
3/4	13.8	82.8	6.9	41.4
1	16	96.0	8	48
1-1/2	20	120.0	10	60
2	24	144.0	12	72
3	34	204.0	17	102

Work that's more rewarding

Contractor Rewards™

Copeland is the only HVACR supplier in the Contractor Rewards program. Build loyalty with your HVACR professionals by helping them earn valuable points towards thousands of products and experiences with every White-Rodgers purchase.

Promote in-store by ordering Contractor Rewards Merchandise today: Copeland.com/WRresources



ENROLL

Sign up at
[Copeland.com/
ContractorRewards](http://Copeland.com/ContractorRewards)
or call toll-free
1-877-286-7064



UPLOAD

Use a phone or computer
to upload receipts for
Copeland and
White-Rodgers™
products



REDEEM

Redeem and enjoy.
Build points and choose
from thousands of
rewards

**CONTRACTOR
REWARDS**



THE WHITE-RODGERS MOBILE APP:

Answers at your fingertips, with your smartphone or tablet.

- ✓ Latest cross reference
- ✓ Installation instructions
- ✓ Spec sheets
- ✓ Product selection



COPELAND

sen | si

WHITE-RODGERS™

Contractor Rewards points are available for Copeland comfort control products, including thermostats and HVAC controls. Does not apply to Copeland compressors.

R-4899-5 (6/23) | ©2023 Copeland | All rights reserved | Customer Service or Technical Help: 888-725-9797 | White-Rodgers.com