



A CSW Industrials Company

All-Access® AA1-FS

Condensate Cleanout Device with Built-in Float Switch, Product Code **83411**

Project Information:

Job Name:

Location:

Engineer:

Submitted to:

For: Reference Approval Construction

Submitted by:

Reference:

Submittal Information:

Approval:

Date:

Construction:

Unit #:

Drawing #:

(Sec. I) Ordering Information:

Product Code 83411
Model AA1-FS
Carton Qty 48
Carton Weight 22 lbs

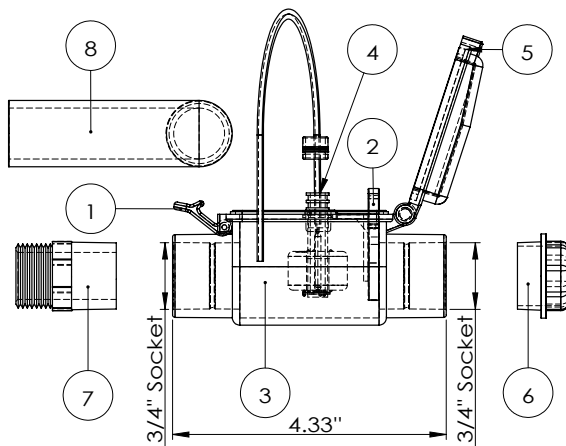
(Sec. II) Product Specifications:

Potted, electrically water sealed reed/magnet switch design
Tested to UL508
PVC Plastic Components
Use in Class 2 (T-STAT) circuit only, 24 VAC Max
1.25 Amp switch capacity
US Patent No. 9,217,577

(Fig. I) Product Image:



(Fig. II) Component List:



1. T-Switch Hasp
2. Moveable Holder
3. Plastic Body
4. Electrically Potted Switch, with 6 ft 18 AWG Lead Wires
5. Top Lid
6. End Cap
7. 3/4" NPT x 3/4" Slip Adapter
8. Cleanout tool

RectorSeal® 2601 Spenwick Drive - Houston, TX 77055 800-231-3345 rectorseal.com