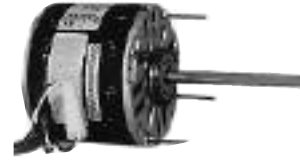


5-5/8" Diameter High Efficiency Indoor Blower Motors

Furnaces - Air Handlers - Evaporators

Features:

- Auto Protector
- Continuous Air Over
- High Efficiency
- Multiple Mount
- Open Construction
- PSC
- Reversing Plug
- Sleeve Bearing
- 1/2" Dia. - Flatted Shaft
- 2-1/4" - 2-1/2" Resilient Rings
- 26" Leads (Minimum)
- 40° C Ambient
- 48 Frame (5-5/8" Dia.)
- 60 HZ



"CONSERVATIONIST" (CAPACITOR NOT INCLUDED)

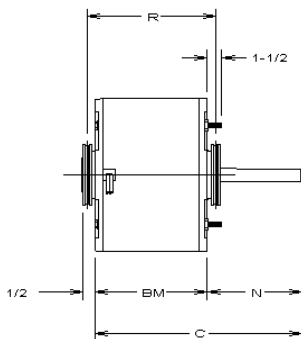
HP	RPM	Speeds	Volts	Amps		Stock Number	Alternate	Capacitor	Ring* Type	Dim. Ref.	Conn. Dia.	Notes
				Rated	Max.							
1/6	1075	3	115	2.5	3.0	FDL1016		7.5/370V	D	14	52	S
1/6	1075	3	277	.8	.9	7FD1016		5/370V	D	13	10	S
1/4	1625	3	115	3.0	5.0	FDL1024		10/370V	D	1	10	S
1/4	1625	3	208-230	1.8	3.2	FD1024		5/370V	D	1	10	S
1/4	1625	1	277	1.35	2.0	7FD1024S		3/370V	E	2	64	1 S
1/4	1075	3	115	3.2	4.1	FDL1026		7.5/370V	D	3	10	S
1/4	1075	3	208-230	1.5	1.9	FD1026		5/370V	D	4	10	S
1/4	1075	3	277	1.3	1.6	7FD1026		5/370V	D	17	10	S
1/3	1625	3	115	4.0	6.2	FDL1034		15/370V	D	5	10	S
1/3	1625	3	208-230	2.0	3.4	FD1034		5/370V	D	5	10	S
1/3	1075	3	115	4.2	6.0	FDL1036		7.5/370V	D	18	10	S
1/3	1075	3	208-230	2.1	3.0	FD1036		5/370V	D	18	10	S
1/3	1075	3	277	1.9	2.1	7FD1036		7.5/370V	D	15	10	S
1/2	1625	3	115	7.6	10.0	FDL1054		15/370V	D	6	10	S
1/2	1625	3	208-230	2.8	5.0	FD1054		7.5/370V	D	6	10	S
1/2	1075	3	115	5.6	7.4	FDL1056		10/370V	D	7	10	S
1/2	1075	3	208-230	2.7	3.4	FD1056		7.5/370V	D	8	10	S
1/2	1075	3	277	2.2	3.2	7FD1056		10/370V	D	16	10	S
3/4	1625	3	115	8.5	11.5	FDL1074		15/370V	D	9	10	S
3/4	1625	3	208-230	4.0	7.0	FD1074		7.5/370V	D	9	10	S
3/4	1075	3	115	9.8	11.8	FDL1076		15/370V	D	10	10	S
3/4	1075	3	208-230	4.9	5.9	FD1076		10/370V	D	20	10	S
1	1075	3	115	12.3	14.0	BDL1106		20/370V	E	11	10	2,4 S
1	1075	3	208-230	5.1	6.5	BD1106		20/370V	E	12	10	2,4 S
1	1075	3	460	3.2		BDH1106		15/370V		19	118	3,4 S

Notes:

- 1-1/2" ext. thru bolts, closed main frame, reversible, 2-1/2" rings, 14" leads
 - 1/2" double flat shaft, 2-1/2" rings
 - Reconnect for separate speeds
 - Ball bearing
- * For ring type see page 155



**Adapter Kit
619432-174
for Fleximount**



Approximate Dimensions

Ref.	BM	R	C	N
1	4-7/16	5	10-7/8	6-7/16
2	4-7/16	5	12-1/2	8
3	4-3/16	4-3/4	10-1/2	6-7/16
4	4-1/16	4-5/8	10-1/2	6-7/16
5	4-11/16	5-1/4	11-1/8	6-7/16
6	5-3/16	5-3/4	11-5/8	6-7/16
7	5-1/16	5-5/8	11-1/2	6-7/16
8	5-3/16	5-3/4	11-1/2	6-7/8
9	5-11/16	6-1/4	12-1/8	6-7/16
10	5-5/8	5-3/16	12-1/16	6-7/16
11	5-13/16	6-3/8	12-1/4	6-7/16
12	5-9/16	6-3/16	12	6-7/16
13	3-3/4	4-5/16	10-3/16	6-7/16
14	3-15/16	4-1/2	10-3/8	6-7/16
15	4-1/2	5-1/16	10-15/16	6-7/16
16	5-3/8	5-15/16	11-13/16	6-7/16
17	3-7/8	4-7/16	10-5/16	6-7/16
18	4-11/16	5-1/4	11	6-7/16
19	6	6-1/2	11-1/16	4-9/16
20	5-3/8	5-7/8	11-13/16	6-7/16