



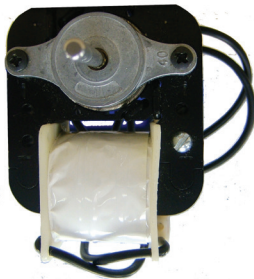
SM600 SERIES EXACT REPLACEMENT & UTILITY MOTOR KITS



- Versatile Replacement for All “C” Frame and 3 1/2” Round Style Motors
- Impedance Protected
- SM670, SM672, SM673 and SM690C Include Fan Blades FB402 and FB550
- SM675 is Thermal Protected
- SM675 Includes Fan Blade FB550 Only
- Motor Kits Include Complete Hardware and Mounting Kits

Part No.	Type	Volts AC	RPM	Shaft Dimensions (In.)	Stack Size (In.)	Rotation (Reversible)
SM670	Sleeve	120	3000	3/16 x 1 1/4	5/8	CW/CCW
SM671	Sleeve	120	3000	3/16 x 1 1/4	5/8	CW/CCW
SM672	Sleeve	240	3000	3/16 x 1 1/4	5/8	CW/CCW
SM673	Sleeve	120	3000/1550	3/16 x 1 1/4	5/8	CW/CCW
SM675	Sleeve	120/240	3000	3/16 x 2 3/8	1	CW/CCW
SM690C	Sleeve	120	3000	3/16 x 1 1/4	5/8	CW
SM6700B	Sleeve	120	3000	3/16 x 1 1/4	5/8	CW/CCW

SM6700B MOTOR KIT ASSEMBLY



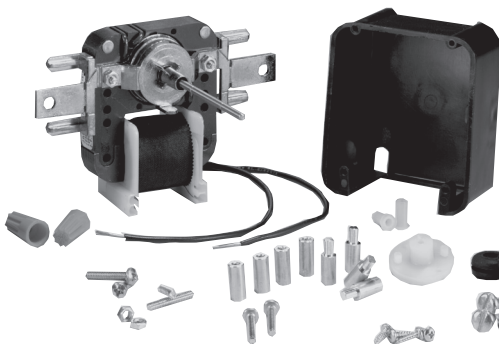
- Replaces Acme Miami® 700
- OEM Replacement for Bohn®, Heatcraft®, Uppco®, Singer®, GE® 33 Series
- Kit Includes Reversible Motor, Three Fan Blades, Hardware Kit and Instructions

SM6700B Replacement Fan Blades 3/16” Hub

FB402	4”, CW, 5 Wing
FB455 (Bohn® 5101B)	5 9/16”, CCW, 5 Wing
FB550	5 1/2”, CCW, 4 Wing



SM999 UNIVERSAL EVAPORATOR FAN MOTOR KIT - 120 VAC & SM998 UNIVERSAL EVAPORATOR FAN MOTOR KIT - 220 VAC



SM999

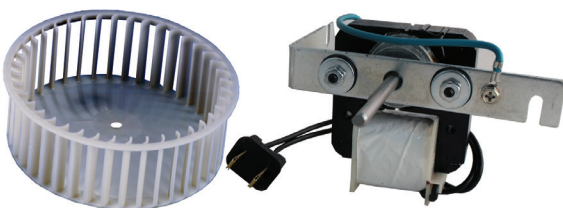
- Replaces Over 450 Different Evaporator Type Motors
- Prefastened Multi Fit, Break Off Mounting Bracket
- Break Off 2” Motor Shaft with Breakaways at 1/2” and 1 1/2”
- Includes All Mounting Accessories and Hardware
- Reversible Rotation
- Single Speed

Part No.	Description
SM999	120 VAC, 3000 RPM, 1/200 hp, .31 Amp Impedance Protected
SM998	220 VAC, 3000 RPM, 1/200 hp, .31 Amp Impedance Protected

SM998

- Direct Replacement for the Mars® 90998

SM140-40A BLOWER FAN ASSEMBLY



- Direct Replacement Kit for Nutone® Bath Fans
- Replaces Nutone® Motor P/N K5895 and Kit P/N K5894
- Kit Includes Single Speed Motor, 3 3/4” x 2” Blower Wheel and Mounting Bracket
- Motor Includes 6” Wire Leads with Molded Plug

SUPCO® Part No.	Speed	RPM	Volts	Amps	Rotation	Nutone®
SM140-40A	1	2400	115	0.9	CCWSE	K5894 Motor Kit

