



AB*/ABT* SERIES FURRED DOWN AIR HANDLER



PATENT PRODUCT

PRODUCT FEATURES

- Designed for Installation in a Furred Down Area or Dropped Ceiling Area
- Cooling Only, Cooling and Electric Heating, or Heat Pump with Electric Back Up
- Optional Factory Installed Electric Heat of Either 3, 5, 6, 8, or 10 kW
- Cooling Capacities 1, 1.5, 2.0, 2.5, or 3.0 Nominal Tons
- Orifice Refrigerant Metering is Standard with Thermal Expansion Valves Optional
- Standard Integral Drain Trap
- Factory Installed Time Delay Relay
- Pre-Punched Side Mounting Tabs for Easier Installations
- Copper Tube Option
- Aluminum Tubing, Fins and End Plates
- Powder Coated, Hinged Access Panels with Filter Rack
- Fully Insulated Embossed, Galvanized Steel Cabinets
- Polymer Drain Pan
- Ceiling mounted units have the option of left or right discharge.



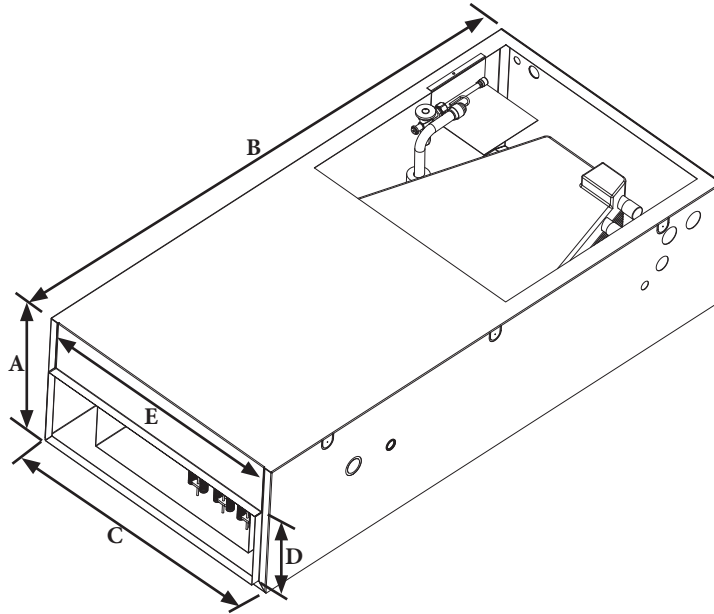
WARNING



Warranty will be voided if any chemical cleaning products are used on any AllStyle coils. AllStyle suggests water and a soft, bristled brush.



AB*/ABT* SERIES FURRED DOWN AIR HANDLER



Cabinet Dimensions

Model	Nominal Tonnage	Cabinet Height A	Cabinet Length B	Cabinet Width C	Plenum Height D	Plenum Width E	Optional Return Opening	Access Grille Width	Access Grille Length	Filter Size
ABF*	1, 1 1/2, 2, & 2 1/2	12.00"	47.00"	22.50"	8.00"	21.50"	21.00" x 8.00"	27.25"	51.25"	20" x 20"
ABSK*	1-3 Tons	12.00"	57.00"	22.50"	8.00"	22.50"	21.00" x 8.00"	27.25"	61.25"	20" x 25"
ABK*	1-3 Tons	12.00"	51.00"	22.50"	8.00"	21.50"	21.00" x 8.00"	27.25"	55.25"	20" x 20"
ABTF*	1, 1 1/2, 2, & 2 1/2	16.00"	47.00"	22.50"	12.00"	21.50"	21.00" x 12.00"	27.25"	51.25"	20" x 20"
ABTK*	3 Tons	16.00"	51.00"	22.50"	12.00"	21.50"	21.00" x 12.00"	27.25"	55.25"	20" x 20"
ABTSK*	3.5-4 Tons	16.00"	57.00"	22.50"	12.00"	22.50"	21.00" x 12.00"	27.25"	61.25"	20" x 25"
ABL/R*	1, 1 1/2, 2, & 2 1/2	12.00"	47.00"	22.50"	8.00"	21.50"	21.00" x 8.00"	27.25"	51.25"	20" x 20"
ABL/R*	3 Tons	12.00"	51.00"	22.50"	8.00"	21.50"	21.00" x 8.00"	27.25"	55.25"	20" x 20"

Refrigerant Connections: Suction Lines are 3/4" and Liquid Lines are 3/8" On All Models

Unit May Be Ordered For Either Rear Return or For Return Through Louvered Access Panel

- **ABR* / ABL* Furred Down Series Have a Side Discharge on the Unit**

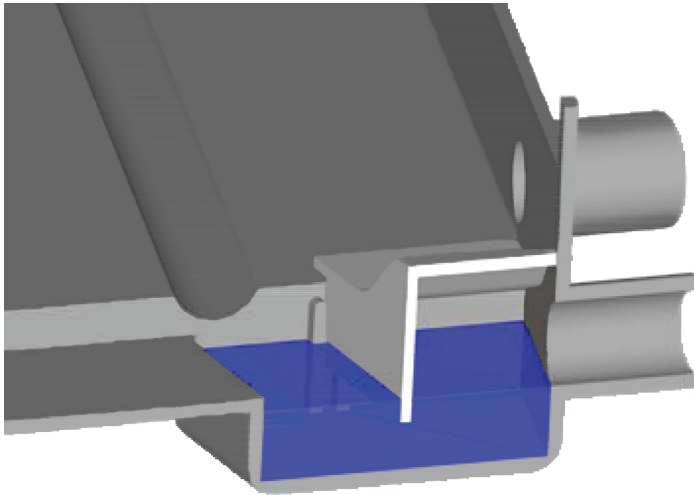
AB*/ABT* SERIES FURRED DOWN AIR HANDLER

Blower Performance PSC					
Model	Speed	Static Pressure			
		0.1	0.2	0.3	0.4
AB* 12	Low	535	460	400	330
	Medium	700	630	540	450
	High	800	730	620	560
AB* 18	Low	740	670	610	540
	Medium	970	850	760	700
	High	1020	950	840	790
AB* 24	Low	740	670	610	540
	Medium	970	850	760	700
	High	1020	950	840	790
AB* 30	Low	740	670	610	540
	Medium	970	850	760	700
	High	1020	950	840	790
ABK*36	Low	1020	950	870	820
	Medium	1140	1100	1040	970
	High	1250	1200	1150	1090

Blower Performance ECM Motor						
Model	Speed Tap	Static Pressure				
		0.1	0.2	0.3	0.4	0.5
AB* 18 & 24	1					0
	Low (2)	650	640			
	Med (3)	760	720	690	650	610
	Med Hi (4)	860	840	790	740	680
	High (5)	900	890	840	800	750



AB*/ABT* SERIES FURRED DOWN AIR HANDLER



New Integral Drain Trap

The AB*/ABT* Series furred down air handlers are now standard with our integral drain trap. This unique design eliminates the need for exterior condensate traps in the primary drain line. No more hassles trying to find room above a dropped ceiling for a condensate trap. This feature will save you time and money!

Access Panel Options



Two options are available:
Solid for ducted return
or
Louvered for return directly into the air handler
Both are constructed of heavy, galvanized steel with a glossy powder paint finish
The doors are hinged with the frame mounting to the wall



Access Panel Dimensional Data

Model Panel	Used on Air Handler Models	Part No.	Description	Frame O.D. Dimension	Opening Dimension	Access Panel Dimensions
ACP-51S	ABF 18-30	RP21038	Solid Panel	29.25" W x 53.25" L	23.25" W x 47.25" L	27.25" W x 51.25" L
ACP-51L**	ABF 18-30	RP21039	Louvered Panel	29.25" W x 53.25" L	23.25" W x 47.25" L	27.25" W x 51.25" L
ACP-55S	ABK 30-36	RP21040	Solid Panel	29.25" W x 57.25" L	23.25" W x 51.25" L	27.25" W x 55.25" L
ACP-55L**	ABK 30-36	RP21041	Louvered Panel	29.25" W x 57.25" L	23.25" W x 51.25" L	27.25" W x 55.25" L
ACP-61S	ABSK 18-36	RP21147	Solid Panel	29.25" W x 63.25" L	23.25" W x 55.25" L	27.25" W x 61.25" L
ACP-61L	ABSK 18-36	RP21143	Louvered Panel	29.25" W x 63.25" L	23.25" W x 55.25" L	27.25" W x 61.25" L

**Lowered Panel Includes a Filter Rack