

# SERVICE MANUAL



## CONTENTS

SPECIFICATIONS . . . . .	1
DIMENSIONS . . . . .	10
REFRIGERANT SYSTEM DIAGRAM . . .	18
PCB CIRCUIT DIAGRAM . . . . .	22
ERROR DETECTION . . . . .	30
PARTS (INDOOR UNIT) . . . . .	32
PARTS (OUTDOOR UNIT) . . . . .	66
ACCESSORIES . . . . .	75

Indoor unit	Outdoor unit
ACUH07LUAS1	AOU36RLXFZH
ACUH09LUAS1	AOU45RLXFZ
ACUH12LUAS1	
ACUH18LUAS1	
UTG-CCGFGA	
ADUH07LUAS1	
ADUH09LUAS1	
ADUH12LUAS1	
ADUH18LUAS1	
ADUH24LUAS1	
ASU7RLF1	
ASU9RLF1	
ASU12RLF1	
ASU15RLF1	
ASUH07LPAS	
ASUH09LPAS	
ASUH12LPAS	
ASUH15LPAS	
ASUH18LPAS	
ASUH24LPAS	
AGU9RLF	
AGU12RLF	
AGU15RLF	

# Specifications (Indoor unit)

## 1. Compact cassette type

Model name				ACUH07LUAS1	ACUH09LUAS1	ACUH12LUAS1	ACUH18LUAS1			
Power supply				208/230 V ~ 60 Hz						
Available voltage range				187—264 V						
Capacity			Btu/h class	7,000	9,000	12,000	18,000			
Input power				W	18	23	39			
Running current				A	0.15	0.19	0.30			
Fan	Airflow rate	Cooling	HIGH	CFM (m <sup>3</sup> /h)	318 (540)	359 (610)	441 (750)			
			MED		288 (490)	312 (530)	359 (610)			
			LOW		259 (440)	277 (470)	306 (520)			
			QUIET		230 (390)	241 (410)	241 (410)			
		Heating	HIGH		318 (540)	359 (610)	471 (800)			
			MED		288 (490)	312 (530)	418 (710)			
			LOW		259 (440)	277 (470)	353 (600)			
			QUIET		230 (390)	241 (410)	265 (450)			
			Type × Q'ty			Turbo × 1				
			Motor output			W	54			
Sound pressure level *1	Cooling	HIGH	dB (A)	33	37	42				
		MED		31	33	37				
		LOW		29	31	33				
		QUIET		27	28	29				
	Heating	HIGH		34	37	44				
		MED		32	33	40				
		LOW		29	31	37				
		QUIET		27	28	30				
Heat exchanger type	Dimensions (H × W × D)		in (mm)	Main 1: 8-4/16 × 51-9/16 × 1/2 (210 × 1,310 × 13.3) Main 2: 8-4/16 × 49-3/16 × 1/2 (210 × 1,250 × 13.3)						
	Fin pitch		FPI	Main 1: 21 Main 2: 21						
	Rows × Stages			Main 1: 1 × 10 Main 2: 1 × 10						
	Pipe type			Copper tube						
	Fin type			Aluminum						
Dimensions (H × W × D)	Net		in (mm)	9-5/8 × 22-7/16 × 22-7/16 (245 × 570 × 570)						
	Gross			10-7/16 × 28-3/4 × 24-5/8 (265 × 730 × 625)						
Weight	Net		lb (kg)	33 (15)						
	Gross			40 (18)		42 (19)				
Connection pipe	Size	Liquid	in (mm)	Ø1/4 (Ø6.35)						
		Gas		Ø3/8 (Ø9.52)		Ø1/2 (Ø12.70)				
Method		Flare								
Operation range	Cooling	°F (°C)		64 to 90 (18 to 32)						
		%RH		80 or less						
Heating		°F (°C)		60 to 86 (16 to 30)						
Drain hose	Material		HARD PVC							
	Tip diameter		in (mm)	Ø1 (Ø25) (I.D.), Ø1-1/4 (Ø32) (O.D.)						
Remote controller (Option)				Wired, Wireless, Mobile app*2 [FGLair™]						
Cassette grille (Grid type: Option)	Model name			UTG-CCGFGA						
	Material			PS						
	Color			White Approximate color of Munsell 9PB 9.1/0.2						
	Dimensions (H × W × D)	Net		in (mm)	1-15/16 × 24-7/16 × 24-7/16 (49 × 620 × 620)					
		Gross			4-3/4 × 30-1/8 × 29-3/4 (120 × 765 × 755)					
	Weight	Net		lb (kg)	5.0 (2.3)					
Gross		10 (4.5)								
<b>NOTES:</b>										
<ul style="list-style-type: none"> <li>The protective function might work when using it outside the operation range.</li> <li>*1: Sound pressure level: <ul style="list-style-type: none"> <li>Measured values in manufacturer's anechoic chamber.</li> <li>Because of the surrounding sound environment, the sound levels measured in actual installation conditions might be higher than the specified values here.</li> </ul> </li> <li>*2: Available on Google Play™ store or on App Store®. Optional WLAN adapter is also required. For details, refer to the setting manual.</li> </ul>										

## 2. Slim duct type

Model name				ADUH07LUAS1	ADUH09LUAS1	ADUH12LUAS1	
Power supply				208/230 V ~ 60 Hz			
Available voltage range				187—264 V			
Capacity		Btu/h class		7,000	9,000	12,000	
Input power				W	33	49	
Running current				A	0.30	0.35	
Fan	Airflow rate	Cooling	HIGH	CFM (m <sup>3</sup> /h)	324 (550)	353 (600)	382 (650)
			MED		288 (490)	324 (550)	353 (600)
			LOW		277 (470)	294 (500)	324 (550)
			QUIET		259 (440)	265 (450)	283 (480)
		Heating	HIGH		324 (550)	353 (600)	382 (650)
			MED		288 (490)	324 (550)	353 (600)
			LOW		277 (470)	294 (500)	324 (550)
			QUIET		259 (440)	265 (450)	283 (480)
	Type × Q'ty		Sirocco × 2				
	Motor output		W	80	81		
Recommended static pressure				inWG (Pa)	0 to 0.36 (0 to 90)		
Sound pressure level *1	Cooling	HIGH	dB (A)	28		29	
		MED		26	27	28	
		LOW		25	26	27	
		QUIET		24	25	26	
	Heating	HIGH		28		29	
		MED		26		28	
		LOW		25		27	
		QUIET		24		27	
Heat exchanger type				Dimensions (H × W × D)	in (mm)		
				Fin pitch	FPI		
				Rows × Stages	2 × 14	3 × 14	
				Pipe type	Copper tube		
				Fin type	Aluminum		
Enclosure				Material	Steel sheet		
				Color	—		
Dimensions (H × W × D)	Net		in (mm)	7-13/16 × 27-9/16 × 24-7/16 (198 × 700 × 620)			
	Gross			10-13/16 × 37-3/16 × 30-3/8 (274 × 945 × 772)			
Weight	Net		lb (kg)	35 (16)		37 (17)	
	Gross			46 (21)		49 (22)	
Connection pipe	Size	Liquid	in (mm)	Ø1/4 (Ø6.35)			
		Gas		Ø3/8 (Ø9.52)			
Method		Flare					
Operation range	Cooling	°F (°C)		64 to 90 (18 to 32)			
		%RH		80 or less			
Heating		°F (°C)		60 to 86 (16 to 30)			
Remote controller (Option)				Wired, Mobile app*2 [FGLair™]			
Drain hose	Material		HARD PVC				
	Tip diameter		in (mm)	Ø1 (Ø25) (I.D.), Ø1-1/4 (Ø32) (O.D.)			
<b>NOTES:</b>							
<ul style="list-style-type: none"> <li>The protective function might work when using it outside the operation range.</li> <li>*1: Sound pressure level: <ul style="list-style-type: none"> <li>Measured values in manufacturer's anechoic chamber.</li> <li>Because of the surrounding sound environment, the sound levels measured in actual installation conditions might be higher than the specified values here.</li> </ul> </li> <li>*2: Available on Google Play™ store or on App Store®. Optional WLAN adapter is also required. For details, refer to the setting manual.</li> </ul>							

Model name				ADUH18LUAS1		ADUH24LUAS1	
Power supply				208/230 V ~ 60 Hz			
Available voltage range				187—264 V			
Capacity			Btu/h class	18,000	24,000		
Input power			W	73	111		
Running current			A	0.44	0.66		
Fan	Airflow rate	Cooling	HIGH	CFM (m <sup>3</sup> /h)	553 (940)	783 (1330)	
			MED		518 (880)	730 (1240)	
			LOW		483 (820)	647 (1100)	
			QUIET		441 (750)	606 (1030)	
		Heating	HIGH		553 (940)	783 (1330)	
			MED		518 (880)	730 (1240)	
			LOW		483 (820)	647 (1100)	
			QUIET		441 (750)	606 (1030)	
	Type × Q'ty				Sirocco × 3	Sirocco × 4	
	Motor output			W	81		
Recommended static pressure				inWG (Pa)	0 to 0.36 (0 to 90)	0 to 0.2 (0 to 50)	
Sound pressure level *1	Cooling	HIGH	dB (A)	32	33		
		MED		31	32		
		LOW		30			
		QUIET		29			
	Heating	HIGH		33	35		
		MED		32	34		
		LOW		31	32		
		QUIET		29			
Heat exchanger type	Dimensions (H × W × D)		in (mm)	11-9/16 × 27-9/16 × 1-9/16 (294 × 700 × 39.9)	11-9/16 × 35-7/16 × 1-9/16 (294 × 900 × 39.9)		
	Fin pitch		FPI	20			
	Rows × Stages		3 × 14				
	Pipe type		Copper tube				
	Fin type		Aluminum				
Enclosure	Material		Steel sheet				
	Color		—				
Dimensions (H × W × D)	Net		in (mm)	7-13/16 × 35-7/16 × 24-7/16 (198 × 900 × 620)	7-13/16 × 43-5/16 × 24-7/16 (198 × 1,100 × 620)		
	Gross			10-13/16 × 45-1/16 × 30-3/8 (274 × 1,145 × 772)	10-13/16 × 52-15/16 × 30-3/8 (274 × 1,345 × 772)		
Weight	Net		lb (kg)	44 (20)	53 (24)		
	Gross			57 (26)	66 (30)		
Connection pipe	Size	Liquid	in (mm)	Ø1/4 (Ø6.35)			
		Gas		Ø1/2 (Ø12.70)	Ø5/8 (Ø15.88)		
	Method			Flare			
Operation range	Cooling	°F (°C)		64 to 90 (18 to 32)			
		%RH		80 or less			
Remote controller (Option)	Heating	°F (°C)		60 to 86 (16 to 30)			
		Wired, Mobile app*2 [FGLair™]					
Drain hose	Material		HARD PVC				
	Tip diameter		in (mm)	Ø1 (Ø25) (I.D.), Ø1-1/4 (Ø32) (O.D.)			
<b>NOTES:</b>							
<ul style="list-style-type: none"> <li>The protective function might work when using it outside the operation range.</li> <li>*1: Sound pressure level: <ul style="list-style-type: none"> <li>Measured values in manufacturer's anechoic chamber.</li> <li>Because of the surrounding sound environment, the sound levels measured in actual installation conditions might be higher than the specified values here.</li> </ul> </li> <li>*2: Available on Google Play™ store or on App Store®. Optional WLAN adapter is also required. For details, refer to the setting manual.</li> </ul>							

### 3. Wall mounted type (ASU7-15RLF1)

Model name				ASU7RLF1	ASU9RLF1	ASU12RLF1	ASU15RLF1	
Power supply				208/230 V ~ 60 Hz				
Available voltage range				187—264 V				
Capacity		Btu/h class		7,000	9,000	12,000	14,000	
Input power				W	15	17	22	
Running current				A	0.13	0.15	0.19	
Fan	Airflow rate	Cooling	HIGH	CFM (m <sup>3</sup> /h)	330 (560)	353 (600)	388 (660)	430 (730)
			MED		294 (500)	306 (520)	330 (560)	353 (600)
			LOW		253 (430)	253 (430)	265 (450)	312 (530)
			QUIET		182 (310)	182 (310)	182 (310)	212 (360)
		Heating	HIGH		330 (560)	353 (600)	388 (660)	430 (730)
			MED		294 (500)	306 (520)	330 (560)	362 (615)
			LOW		253 (430)	253 (430)	277 (470)	330 (560)
			QUIET		194 (330)	194 (330)	194 (330)	221 (375)
	Type × Q'ty		Crossflow fan × 1					
	Motor output		W					
Sound pressure level *				dB (A)				
		Cooling	HIGH	36	37	40	42	
			MED	32	33	36	38	
			LOW	29	29	30	33	
			QUIET	21	21	21	25	
		Heating	HIGH	36	37	40	42	
			MED	32	33	36	38	
			LOW	29	29	31	35	
			QUIET	22	22	22	27	
Heat exchanger type		Dimensions (H × W × D)		in (mm)				
		Fin pitch		FPI				
		Rows × Stages		Main: 23, Sub: 18				
		Pipe type		Copper tube				
		Fin type		Aluminum				
Enclosure		Material		Polystyrene				
		Color		White				
Dimensions (H × W × D)		Net		Approximate color of Munsell N 9.25/ 10-9/16 × 33-1/16 × 8 (268 × 840 × 203)				
		Gross		10-5/8 × 34-13/16 × 14-3/4 (270 × 884 × 336)				
Weight		Net		19 (8.5)				
		Gross		23 (10.5)				
Connection pipe		Size		in (mm)				
		Liquid		Ø1/4 (Ø6.35)				
		Gas		Ø3/8 (Ø9.52)      Ø1/2 (Ø12.70)				
Drain hose		Method		Flare				
		Material		PP + HDPE				
		Tip diameter		in (mm)				
Operation range		Cooling		°F (°C)				
				64 to 90 (18 to 32)				
		Heating		%RH				
80 or less								
				°F (°C)				
				60 to 86 (16 to 30)				
Remote controller type				Wireless (Wired [option])				
<b>NOTES:</b> <ul style="list-style-type: none"> <li>The protective function might work when using it outside the operation range.</li> <li>*Sound pressure level: <ul style="list-style-type: none"> <li>Measured values in manufacturer's anechoic chamber.</li> <li>Because of the surrounding sound environment, the sound levels measured in actual installation conditions might be higher than the specified values here.</li> </ul> </li> </ul>								

## 4. Wall mounted type (ASUH07-15LPAS)

Model name				ASUH07LPAS	ASUH09LPAS	ASUH12LPAS	ASUH15LPAS	
Power supply				208/230 V ~ 60 Hz				
Available voltage range				187—264 V				
Capacity		Btu/h class		7,000	9,000	12,000	14,000	
Input power		W		18	22	26	42	
Running current		A		0.18	0.20	0.24	0.35	
Fan	Airflow rate	Cooling	HIGH	CFM (m <sup>3</sup> /h)	383 (650)	412 (700)	412 (700)	453 (770)
			MED		318 (540)	330 (560)	330 (560)	353 (600)
			LOW		253 (430)	253 (430)	253 (430)	265 (450)
			QUIET		188 (320)	188 (320)	182 (310)	182 (310)
		Heating	HIGH		424 (720)	441 (750)	453 (770)	483 (820)
			MED		341 (580)	359 (610)	377 (640)	388 (660)
			LOW		271 (460)	277 (470)	306 (520)	306 (520)
			QUIET		194 (330)	194 (330)	182 (310)	200 (340)
	Type × Q'ty				Crossflow fan × 1			
	Motor output		W		49			
Sound pressure level*1	Cooling	HIGH	dB (A)	38	40		43	
		MED		33	34	35	36	
		LOW		29		30		
		QUIET		21				
	Heating	HIGH		41	42		44	
		MED		35	36	38	39	
		LOW		31		33		
		QUIET		22				24
Heat exchanger type	Dimensions (H × W × D)		in (mm)	Main1: 8-1/4 × 26-5/16 × 1-1/16 (210 × 668 × 26.6) Main2: 4-7/16 × 26-5/16 × 13/16 (112 × 668 × 20)		Main1: 8-1/4 × 26-5/16 × 1-1/16 (210 × 668 × 26.6) Main2: 4-7/16 × 26-5/16 × 13/16 (112 × 668 × 20) Sub: 3-5/16 × 26-5/16 × 1/2 (84 × 668 × 13.3)		
	Fin pitch		FPI	Man1: 21 Main2: 23		Man1: 21 Main2: 23 Sub: 18		
	Rows × Stages			Main1: 2 × 10 Main2: 2 × 7		Main1: 2 × 10 Main2: 2 × 7 Sub: 1 × 4		
	Pipe type			Copper				
	Fin type			Aluminum				
Enclosure	Material		Polystyrene					
	Color		White Approximate color of Munsell N 9.25/					
Dimensions (H × W × D)	Net		in (mm)	10-5/8 × 32-13/16 × 8-3/4 (270 × 834 × 222)				
	Gross			10-7/8 × 36 × 13-1/16 (277 × 914 × 332)				
Weight	Net		lb (kg)	21 (9.5)		22 (10.0)		
	Gross			26 (12.0)		29 (13.0)		
Connection pipe	Size	Liquid	in (mm)	Ø1/4 (Ø6.35)				
		Gas		Ø3/8 (Ø9.52)		Ø1/2 (Ø12.7)		
Drain hose	Material		Flare PP+HDPE					
	Tip diameter		in (mm)	Ø17/32 (Ø13.8) (I.D.), Ø19/32 to 21/32 (Ø15.0 to 16.8) (O.D.)				
Operation range	Cooling		°F (°C)	64 to 90 (18 to 32)				
	Heating		%RH	80 or less				
Remote controller type		°F (°C)		60 to 86 (16 to 30)				
Remote controller type				Wireless (Wired, Mobile app*2 [FGLair™] [option])				
<b>NOTES:</b> <ul style="list-style-type: none"> <li>The protective function might work when using it outside the operation range.</li> <li>*1: Sound pressure level: <ul style="list-style-type: none"> <li>Measured values in manufacturer's anechoic chamber.</li> <li>Because of the surrounding sound environment, the sound levels measured in actual installation conditions might be higher than the specified values here.</li> </ul> </li> <li>*2: Available on Google Play™ store or on App Store®. Optional WLAN adapter is also required. For details, refer to the setting manual.</li> </ul>								

# 5. Wall mounted type (ASUH18-24LPAS)

Model name				ASUH18LPAS		ASUH24LPAS		
Power supply				208/230 V ~ 60 Hz				
Available voltage range				187—264 V				
Capacity		Btu/h class		18,000	24,000			
Input power				W		34	55	
Running current				A		0.32	0.46	
Fan	Airflow rate	Cooling	HIGH	CFM (m <sup>3</sup> /h)	530 (900)	642 (1,090)		
			MED		471 (800)	530 (900)		
			LOW		377 (640)	471 (800)		
			QUIET		241 (410)	306 (520)		
		Heating	HIGH		506 (860)	594 (1,010)		
			MED		406 (690)	506 (860)		
			LOW		330 (560)	377 (640)		
			QUIET		247 (420)	306 (520)		
	Type × Q'ty		Crossflow fan × 1					
	Motor output		W		59			
Sound pressure level*1	Cooling	HIGH	dB (A)	44	49			
		MED		42	44			
		LOW		37	42			
		QUIET		26	31			
	Heating	HIGH		43	47			
		MED		39	43			
		LOW		34	37			
		QUIET		28	32			
Heat exchanger type	Dimensions (H × W × D)		in (mm)	Main1: 8-1/4 × 31-5/16 × 1-1/16 (210 × 796 × 26.6) Main2: 4-15/16 × 31-5/16 × 1-1/16 (126 × 796 × 26.6) Sub1: 3-5/16 × 31-5/16 × 1/2 (84 × 796 × 13.3)				
	Fin pitch		FPI	Man1: 21 Main2: 21 Sub1: 18				
	Rows × Stages			Main1: 2 × 10 Main2: 2 × 6 Sub1: 1 × 4				
	Pipe type			Copper				
	Fin type			Aluminum				
Enclosure	Material			Polystyrene				
	Color			White Approximate color of Munsell N 9.25/				
Dimensions (H × W × D)	Net		in (mm)	11 × 38-9/16 × 9-7/16 (280 × 980 × 240)				
	Gross			12-11/16 × 42-7/16 × 13-5/8 (322 × 1,078 × 346)				
Weight	Net		lb (kg)	29 (13)				
	Gross			37 (17)				
Connection pipe	Size	Liquid	in (mm)	Ø1/4 (Ø6.35)				
		Gas		Ø1/2 (Ø12.7)				
	Method				Flare			
Drain hose	Material			PP+HDPE				
	Tip diameter		in (mm)	Ø17/32 (Ø13.8) (I.D.), Ø5/8 to 21/32 (Ø15.8 to 16.7) (O.D.)				
Operation range	Cooling	°F (°C)		64 to 90 (18 to 32)				
		%RH		80 or less				
	Heating	°F (°C)		86 or less (30 or less)				
Remote controller type				Wireless (Wired, Mobile app*2 [FGLair™] [option])				
<b>NOTES:</b> <ul style="list-style-type: none"> <li>The protective function might work when using it outside the operation range.</li> <li>*1: Sound pressure level: <ul style="list-style-type: none"> <li>Measured values in manufacturer's anechoic chamber.</li> <li>Because of the surrounding sound environment, the sound levels measured in actual installation conditions might be higher than the specified values here.</li> </ul> </li> <li>*2: Available on Google Play™ store or on App Store®. Optional WLAN adapter is also required. For details, refer to the setting manual.</li> </ul>								

## 6. Floor type

Model name				AGU9RLF	AGU12RLF	AGU15RLF	
Power supply				208/230 V ~ 60 Hz			
Available voltage range				187—264 V			
Capacity		Btu/h class		9,000	12,000	14,000	
Input power		W		16	20	23	
Running current		A		0.15	0.18	0.20	
Fan	Airflow rate	Cooling	HIGH	CFM (m <sup>3</sup> /h)	312 (530)	353 (600)	383 (650)
			MED		259 (440)	288 (490)	306 (520)
			LOW		212 (360)	224 (380)	235 (400)
			QUIET		159 (270)	159 (270)	159 (270)
		Heating	HIGH		312 (530)	353 (600)	383 (650)
			MED		270 (460)	300 (510)	318 (540)
			LOW		224 (380)	241 (410)	253 (430)
			QUIET		159 (270)	159 (270)	159 (270)
	Type × Q'ty		Crossflow fan × 2				
	Motor output		W		16		
Sound pressure level *	Cooling	HIGH	dB (A)	39	42	44	
		MED		34	36	38	
		LOW		28	30	31	
		QUIET		22	22	22	
	Heating	HIGH		39	42	44	
		MED		35	38	39	
		LOW		30	32	33	
		QUIET		22	22	22	
Heat exchanger type	Dimensions (H × W × D)		in (mm)	14-7/8 × 21-5/8 × 1-1/16 (378 × 550 × 26.6)			
	Fin pitch		FPI	21			
	Rows × Stages			2 × 18			
	Pipe type			Copper tube			
	Fin type			Aluminum			
Enclosure	Material			Polystyrene			
	Color			White (Approximate color of Munsell N 9.25/)			
Dimensions (H × W × D)	Net		in (mm)	23-5/8 × 29-1/8 × 7-7/8 (600 × 740 × 200)			
	Gross			27-9/16 × 32-5/16 × 12-3/16 (700 × 820 × 310)			
Weight	Net		lb (kg)	31 (14)			
	Gross			37 (17)			
Connection pipe	Size	Liquid	in (mm)	Ø1/4 (Ø6.35)			
		Gas		Ø3/8 (Ø9.52)	Ø1/2 (Ø12.70)		
	Method				Flare		
Drain hose	Material			PVC			
	Size		in (mm)	Ø9/16 (Ø13.8) (I.D.), Ø11/16 (Ø16.7) (O.D.)			
Operation range	Cooling		°F (°C)	64 to 90 (18 to 32)			
	Heating		%RH	80 or less			
		°F (°C)		60 to 86 (16 to 30)			
Remote controller type				Wireless (Wired [option])			
<b>NOTES:</b> <ul style="list-style-type: none"> <li>The protective function might work when using it outside the operation range.</li> <li>*Sound pressure level: <ul style="list-style-type: none"> <li>Measured values in manufacturer's anechoic chamber.</li> <li>Because of the surrounding sound environment, the sound levels measured in actual installation conditions might be higher than the specified values here.</li> </ul> </li> </ul>							



# Specifications (Outdoor unit)

## 1. AOU36 type

Type				Inverter heat pump			
Model name				AOU36RLXFZH			
Power source				1Ø 208/230 V 60 Hz			
Available voltage range				187—264V			
Connectable indoor unit			Number	2 to 4			
			Total capacity range	27,000 to 39,000 Btu/h			
Combination of indoor unit				Non-duct ASU9RLF1 × 4	Duct ADUH09LUAS1 × 4	Mix	
Capacity	Cooling	Rated	Btu/h	35,200			
			kW	10.3			
		Min.—Max.	Btu/h	12,000—39,000			
			kW	3.5—10.6			
	Heating	Rated	Btu/h	36,400			
			kW	10.7			
Min.—Max.		Btu/h	12,000—42,000				
		kW	3.5—12.3				
Input power	Cooling	Rated	kW	2.70	2.93	2.81	
		Max.		3.47	3.53	3.50	
	Heating	Rated		2.67	2.74	2.70	
		Max.		3.29	3.35	3.32	
Current	Cooling	Rated	A	11.9	12.9	12.4	
	Heating			11.8	12.1	11.8	
EER	Cooling	Rated	Btu/W	13.0	12.0	12.5	
SEER *1	Cooling		-	20.0	18.0	19.0	
COP	Heating	Rated	W/W	4.00	3.88	3.94	
HSPF *1	Heating		-	10.3	9.3	9.8	
Starting current			A	12.9			
Maximum operating current *2			A	26.0			
Fan	Type × Qty			Propeller × 1			
	Airflow rate	Cooling	CFM (m <sup>3</sup> /h)	2,472 (4,200)			
		Heating		2,472 (4,200)			
	Motor	Type × Quantity		DC motor × 1			
		Output	W	111			
Sound pressure level	Cooling	Rated	dB (A)	53			
	Heating			55			
Heat exchanger	Dimension	(H × W × D)	in (mm)	38-1/16 × 36-5/16 × 2-3/16 (966 × 922 × 55)			
	Fin pitch		FPI	1.45			
	Rows × Stages			2 × 38			
	Pipe type (Material)			Grooved H-pin (Copper)			
	Fin	Type (Material)			Corrugate (Aluminum)		
		Surface treatment		Corrosion resistance (Blue fin)			
Compressor	Type × Quantity			DC twin rotary × 1			
	Motor output		W	2,100			
Refrigerant	Type			R410A			
	Charge		lb (g)	8 lb 13 oz (4,000)			
Refrigerant oil	Type			RB68			
	Amount		in <sup>3</sup> (cm <sup>3</sup> )	70.1 (1,150)			
Enclosure	Material			Painted galvanized steel			
	Color			Beige (Approximate color of Munsell 10YR 7.5/1.0 NN)			
Dimensions	Net	(H × W × D)	in (mm)	39-5/16 × 38-3/16 × 14-9/16 (998 × 970 × 370)			
	Gross			45-3/4 × 45-1/4 × 18-13/16 (1,162 × 1,150 × 478)			
Weight	Net		lb (kg)	205 (93)			
	Gross			229 (104)			
Connection pipe	Size	Liquid	in (mm)	Ø1/4 (Ø6.35) × 4			
		Gas		Ø3/8 (Ø9.52) × 3 + Ø1/2 (Ø12.70) × 1			
	Method			Flare			
	Pre-charge length (Total)			164 (50)			
	Max. length (Total)			230 (70)			
	Max. length (Each)			82 (25)			
	Min. length (Total)			49 (15)			
	Min. length (Each)			16 (5)			
	Max. height difference between outdoor unit and each indoor units.			49 (15)			
Max. height difference between indoor units.			33 (10)				
Operation range	Cooling	°F (°C)	14 to 115 (-10 to 46)				
	Heating		-15 to 75 (-26 to 24)				

### NOTES:

- Specifications are based on the following conditions:
  - Power source of specifications : 230 V
  - Pipe length : 24.6 ft (7.5 m), Height difference : 0 ft (0 m) [Outdoor unit - Indoor unit]
  - Cooling: Indoor temperature of 80 °FDB (26.7 °CDB) / 67 °FWB (19.4 °CWB), and outdoor temperature of 95 °FDB (35 °CDB) / 75 °FWB (23.9 °CWB).
  - Heating: Indoor temperature of 70 °FDB (21.1 °CDB) / 60 °FWB (15.6 °CWB), and outdoor temperature of 47 °FDB (8.3 °CDB) / 43 °FWB (6.1 °CWB).
- \*1: Test conditions are based on AHRI 210/240.
- \*2: Maximum operating current is the total current of the indoor unit and the outdoor unit.
- For other combination, refer to the combination table.
- The protective function might work when using it outside the operation range.

## 2. AOU45 type

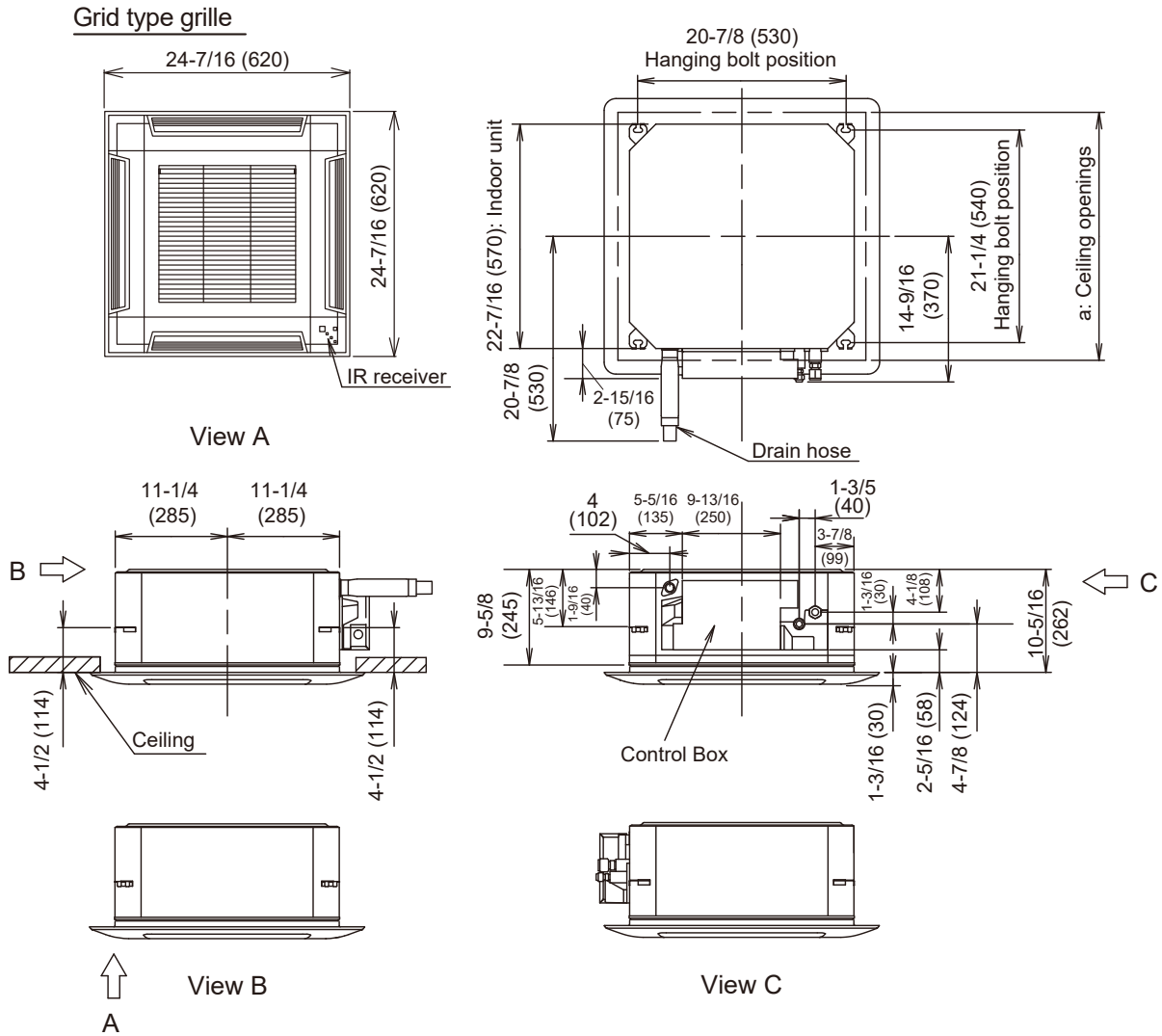
Type				Inverter heat pump		
Model name				AOU45RLXFZ		
Power source				1Ø 208/230 V 60 Hz		
Available voltage range				187—264V		
Connectable indoor unit			Number	2 to 5		
			Total capacity range	34,000 to 54,000 Btu/h		
Combination of indoor unit				Non-Duct ASU9RLF1 x 5	Duct ADUH09LUAS1 x 5	Mix
Capacity	Cooling	Rated	Btu/h	45,000		
			kW	13.2		
		Min. - Max.	Btu/h	12,000—48,000		
	Heating		kW	3.5—14.0		
		Rated	Btu/h	48,000	46,000	47,000
			kW	14.0	13.5	13.8
	Min. - Max.	Btu/h	12,000—54,000			
		kW	3.5—15.8			
Input power	Cooling	Rated	kW	4.28	4.59	4.43
		Max.		4.77	4.86	4.82
	Heating	Rated		3.88	3.89	3.90
		Max.		4.32	4.41	4.37
Current	Cooling	Rated	A	18.8	20.1	19.4
	Heating			17.0	17.0	17.1
EER	Cooling	Rated	Btu/W	10.5	9.8	10.2
SEER *1	Cooling		-	19.7	17.7	18.7
COP	Heating	Rated	W/W	3.60	3.46	3.53
HSPF *1	Heating		-	10.3	9.3	9.8
Starting current				A 20.1		
Maximum operating current *2				A 23.8		
Fan	Type × Q'ty			Propeller × 1		
	Airflow rate	Cooling	CFM (m <sup>3</sup> /h)	2,472 (4,200)		
		Heating		2,472 (4,200)		
	Motor	Type × Quantity		DC motor × 1		
Output		W 111				
Sound pressure level	Cooling	Rated	dB (A)	53		
	Heating			55		
Heat exchanger	Dimension (H x W x D)		in (mm)	38-1/16 × 36-5/16 × 2-3/16 (966 × 922 × 55)		
	Fin pitch		FPI	1.45		
	Rows × Stages		2 × 38			
	Pipe type (Material)		Grooved H-pin (Copper)			
	Fin	Type (Material)		Corrugate (Aluminum)		
Surface treatment		Corrosion resistance (Blue Fin)				
Compressor	Type × Quantity		DC twin rotary × 1			
	Motor output		W	2,100		
Refrigerant	Type		R410A			
	Charge		lb (g)	8 lb 13 oz (4,000)		
Refrigerant oil	Type		RB68			
	Amount		in <sup>3</sup> (cm <sup>3</sup> )	70.1(1,150)		
Enclosure	Material		Painted galvanized steel			
	Color		Beige (Approximate color of Munsell 10YR 7.5/1.0 NN)			
Dimensions	Net	(H x W x D)	in (mm)	39-5/16 × 38-3/16 × 14-9/16 (998 × 970 × 370)		
	Gross			45-3/4 × 45-1/4 × 18-13/16 (1,162 × 1,150 × 478)		
Weight	Net		lb (kg)	205 (93)		
	Gross			229 (104)		
Connection pipe	Size	Liquid	in (mm)	Ø1/4 (Ø6.35) × 5		
		Gas		Ø3/8 (Ø9.52) × 3 + Ø1/2 (Ø12.70) × 2		
	Method		Flare			
	Pre-charge length (Total)		164 (50)			
	Max. length (Total)		262 (80)			
	Max. length (Each)		82 (25)			
	Min. length (Total)		49 (15)			
	Min. length (Each)		16 (5)			
	Max. height difference between outdoor unit and each Indoor Units.		49 (15)			
	Max. height difference between indoor units.		33 (10)			
Operation range	Cooling	°F (°C)	14 to 115 (-10 to 46)			
	Heating		5 to 75 (-15 to 24)			
<b>NOTES:</b>						
<ul style="list-style-type: none"> <li>• Specifications are based on the following conditions: <ul style="list-style-type: none"> <li>– Power source of specifications : 230 V</li> <li>– Pipe length : 24.6 ft (7.5 m), Height difference : 0 ft (0 m) [Outdoor unit - Indoor unit]</li> <li>– Cooling: Indoor temperature of 80 °FDB (26.7 °CDB) / 67 °FWB (19.4 °CWB), and outdoor temperature of 95 °FDB (35°CDB) / 75 °FWB (23.9 °CWB).</li> <li>– Heating: Indoor temperature of 70 °FDB (21.1 °CDB) / 60 °FWB (15.6 °CWB), and outdoor temperature of 47 °FDB (8.3 °CDB) / 43 °FWB (6.1 °CWB).</li> <li>– *1: Test conditions are based on AHRI 210 / 240.</li> <li>– *2: The maximum current is the maximum value when the operated within the operation range.</li> </ul> </li> <li>• For other combination, refer to the combination table.</li> <li>• The protective function might work when using it outside the operation range.</li> </ul>						

# Dimensions (Indoor unit)

## 1. Compact cassette type

■ Models: ACUH07LUAS1, ACUH09LUAS1, ACUH12LUAS1, and ACUH18LUAS1

Unit: in (mm)

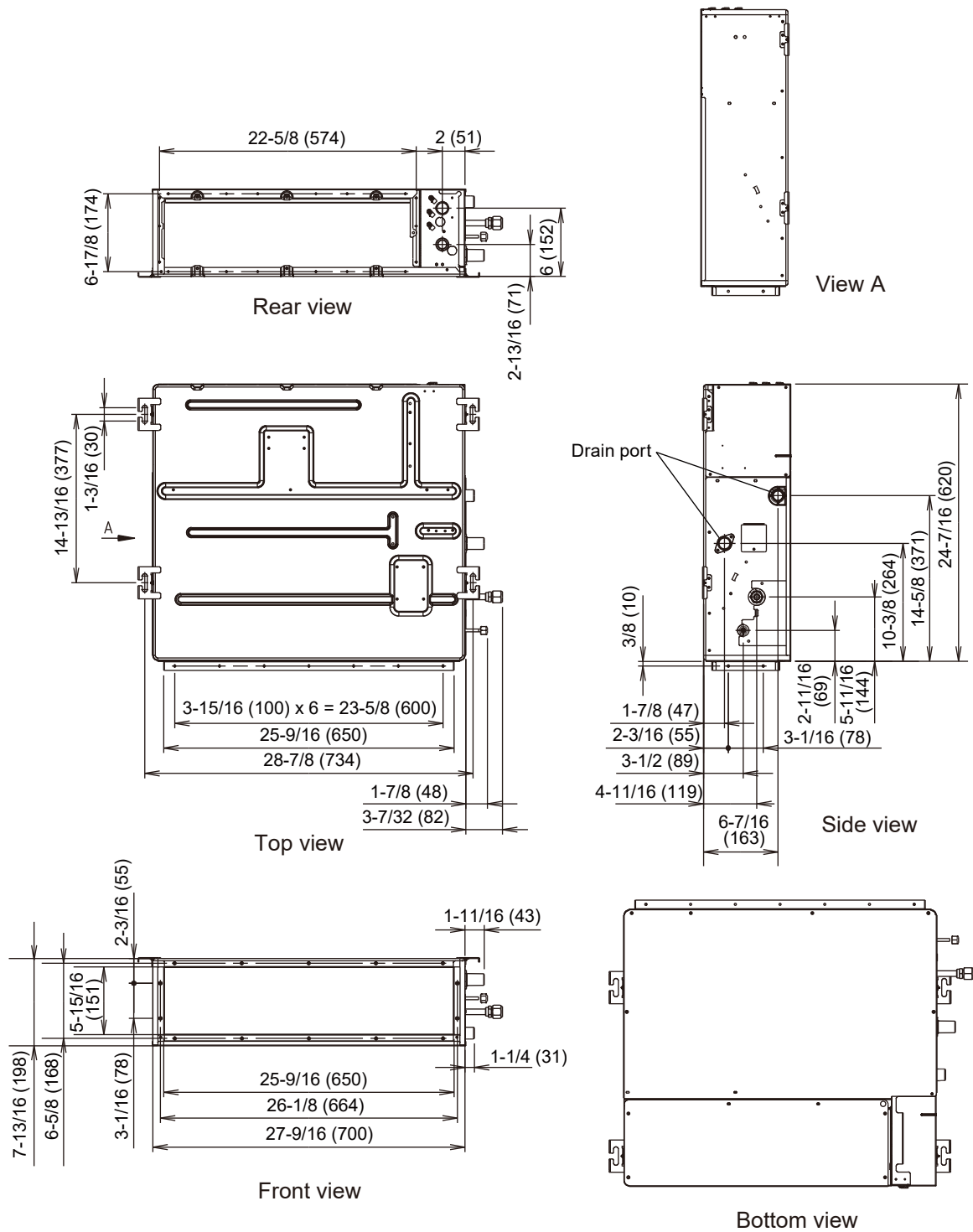


a: Ceiling openings		
Cassette grille (Option [Grid type])	in (mm)	22-13/16 to 24 (580 to 610)

## 2. Slim duct type

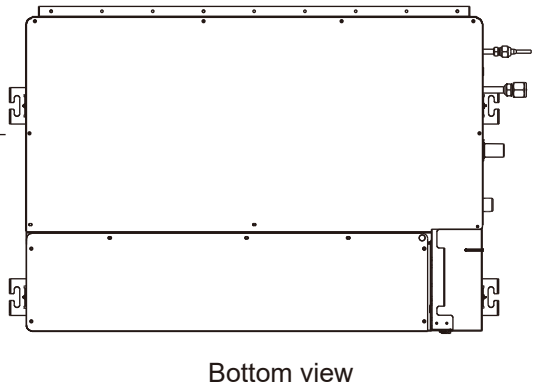
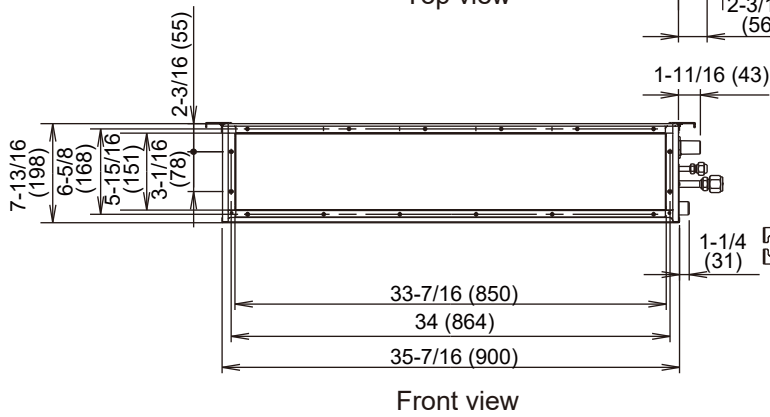
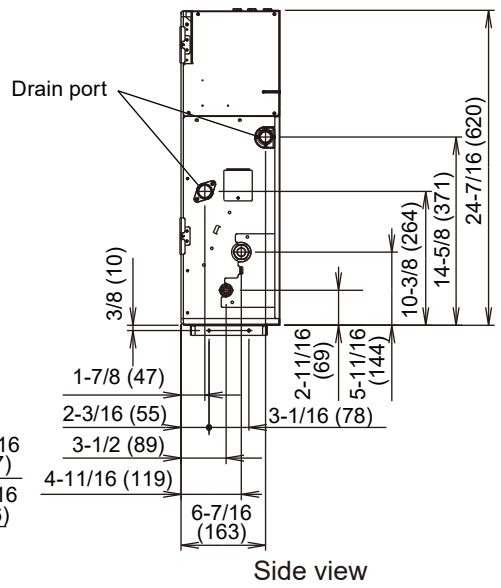
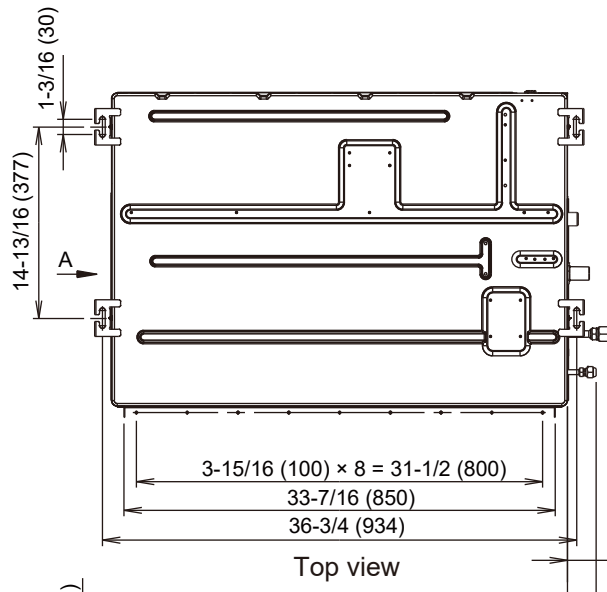
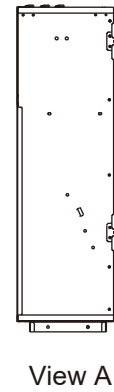
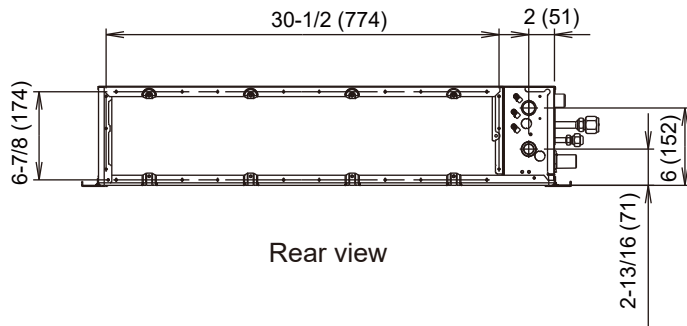
### ■ Models: ADUH07LUAS1, ADUH09LUAS1, and ADUH12LUAS1

Unit: in (mm)



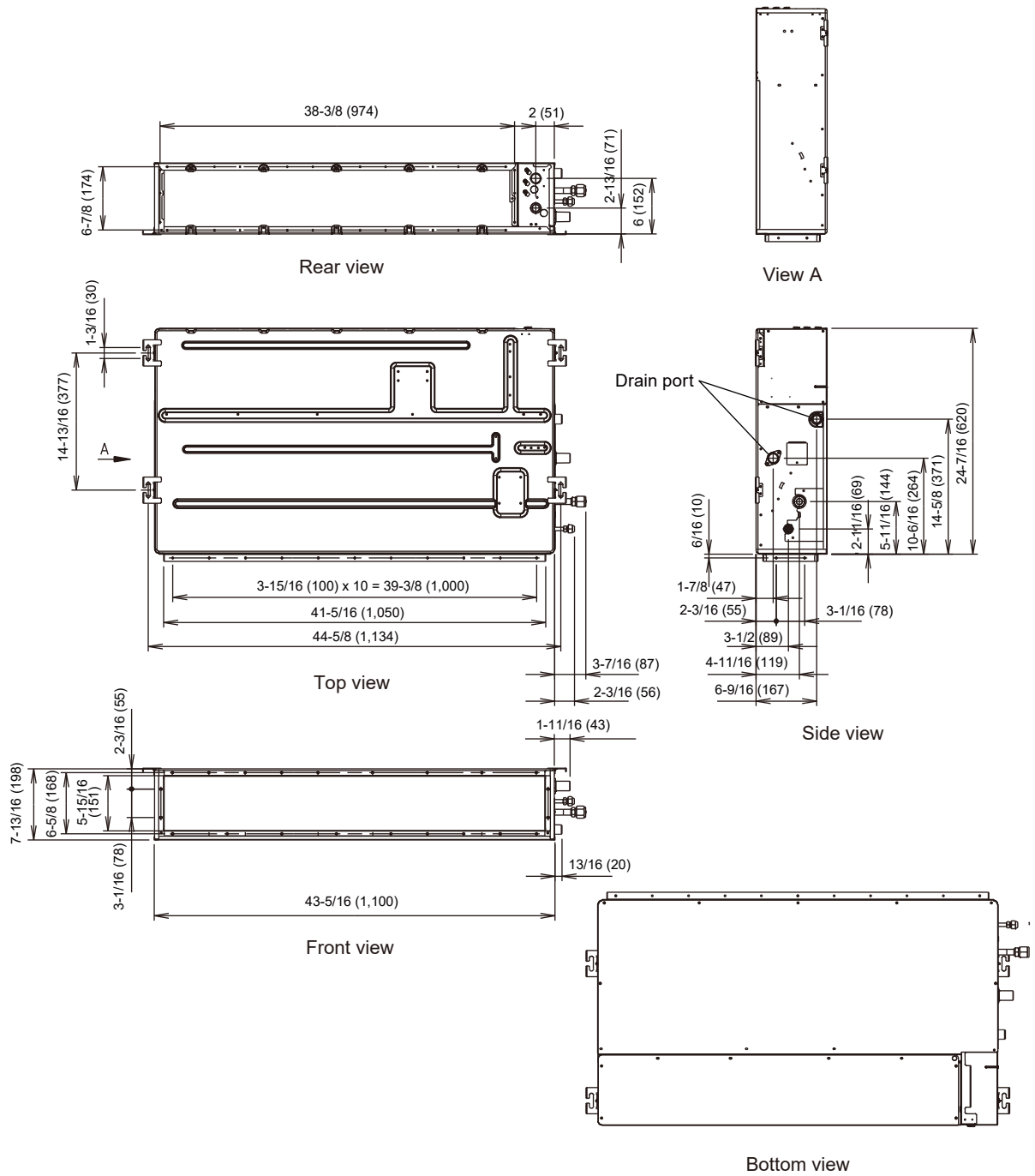
# Model: ADUH18LUAS1

Unit: in (mm)



# Model: ADUH24LUAS1

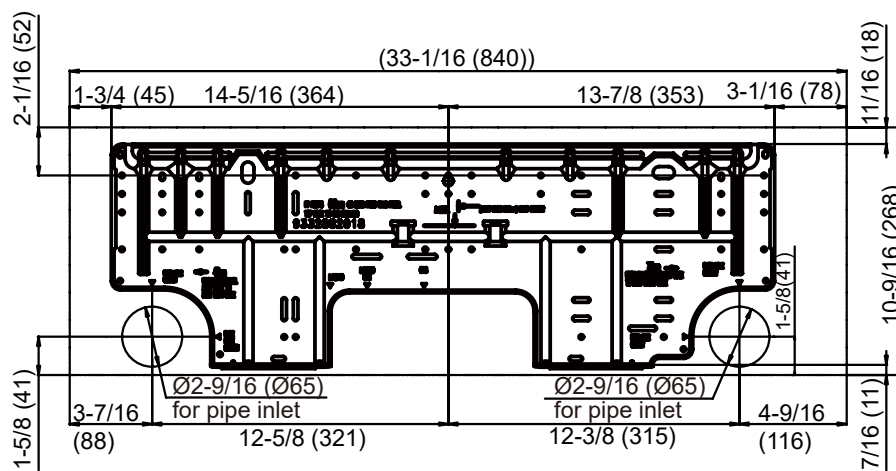
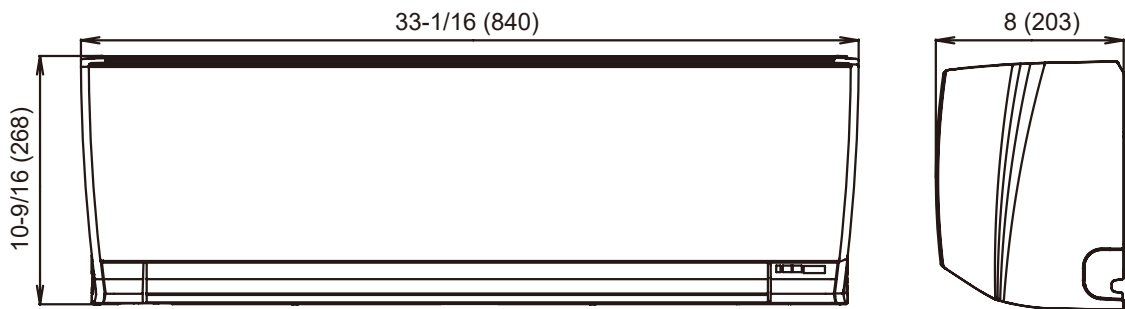
Unit: in (mm)



### 3. Wall mounted type

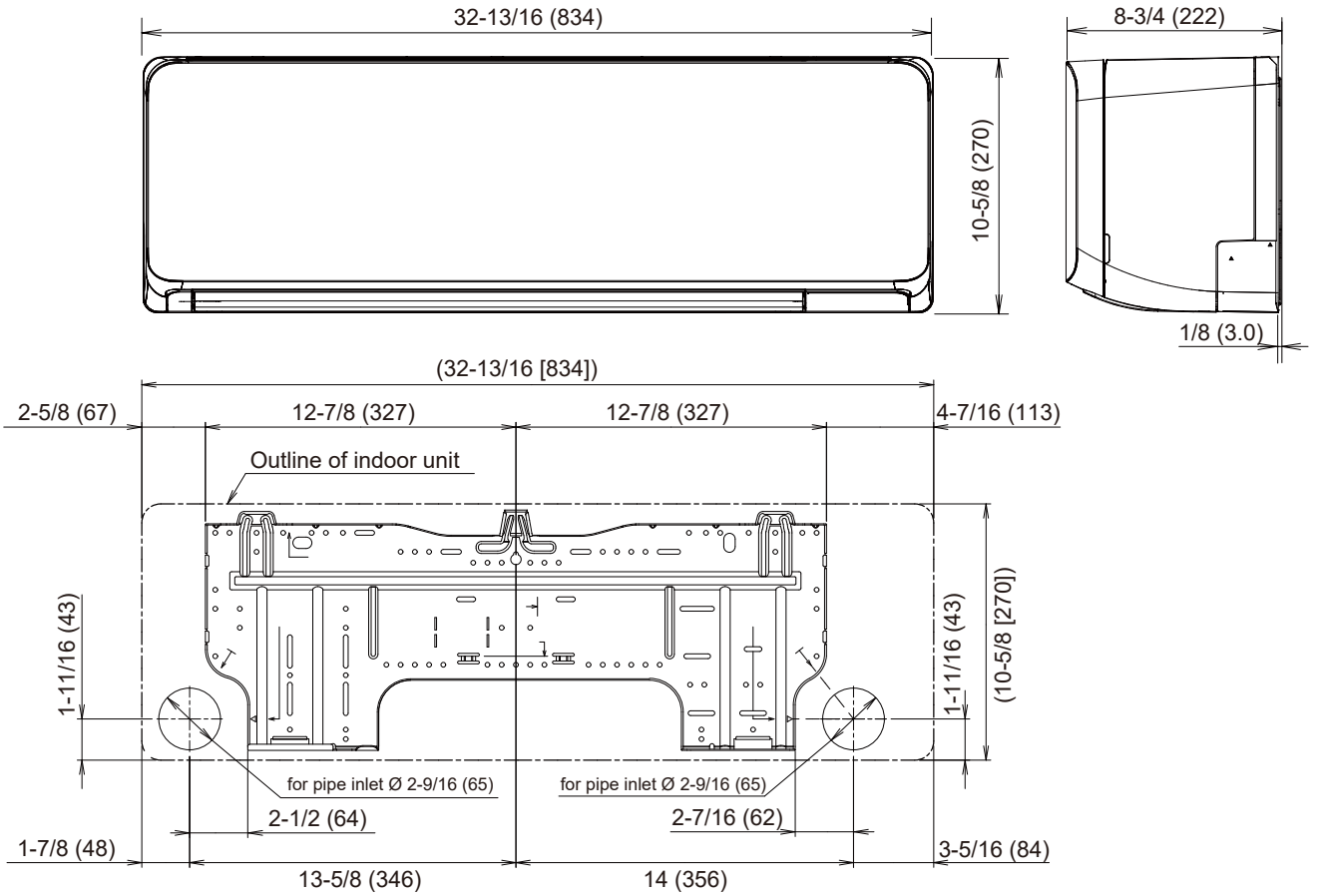
#### ■ Models: ASU7RLF1, ASU9RLF1, ASU12RLF1, and ASU15RLF1

Unit: in (mm)



# ■ Models: ASUH07LPAS, ASUH09LPAS, ASUH12LPAS, and ASUH15LPAS

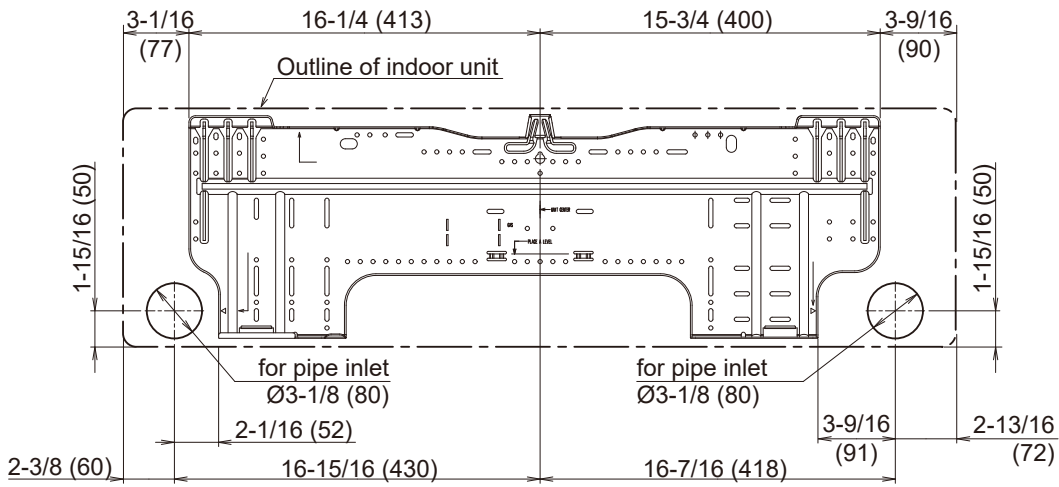
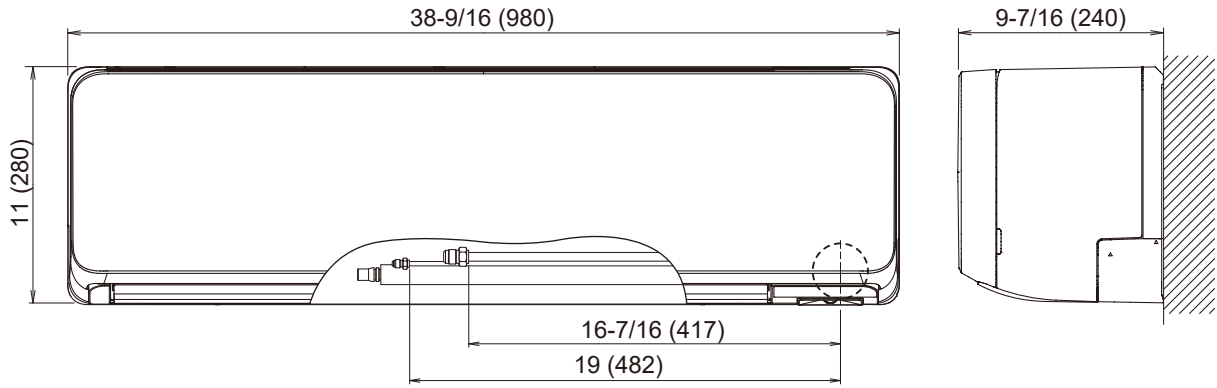
Unit: in (mm)





# ■ Models: ASUH18LPAS and ASUH24LPAS

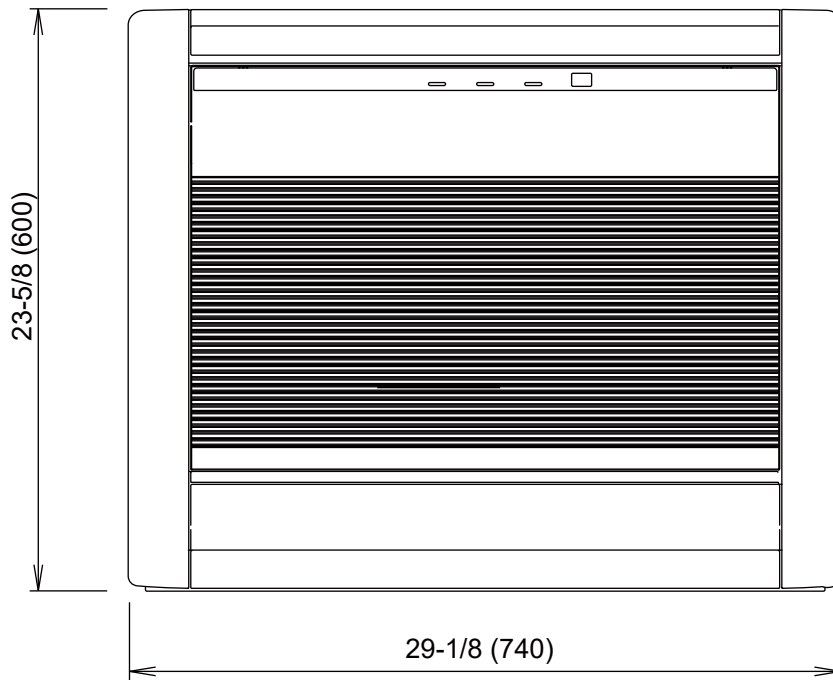
Unit: in (mm)



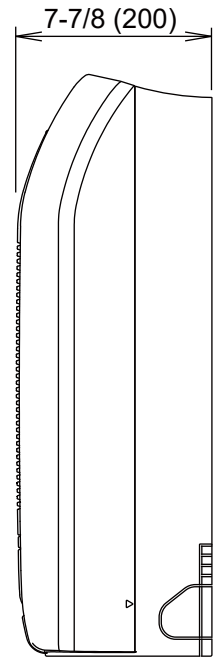
## 4. Floor type

### ■ Models: AGU9RLF, AGU12RLF, and AGU15RLF

Unit: in (mm)



Front view

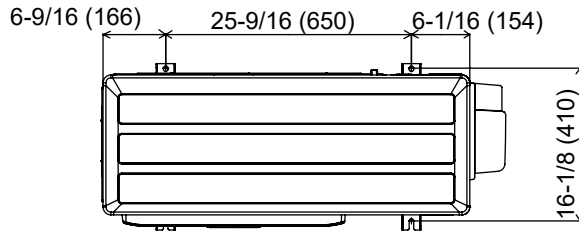


Side view

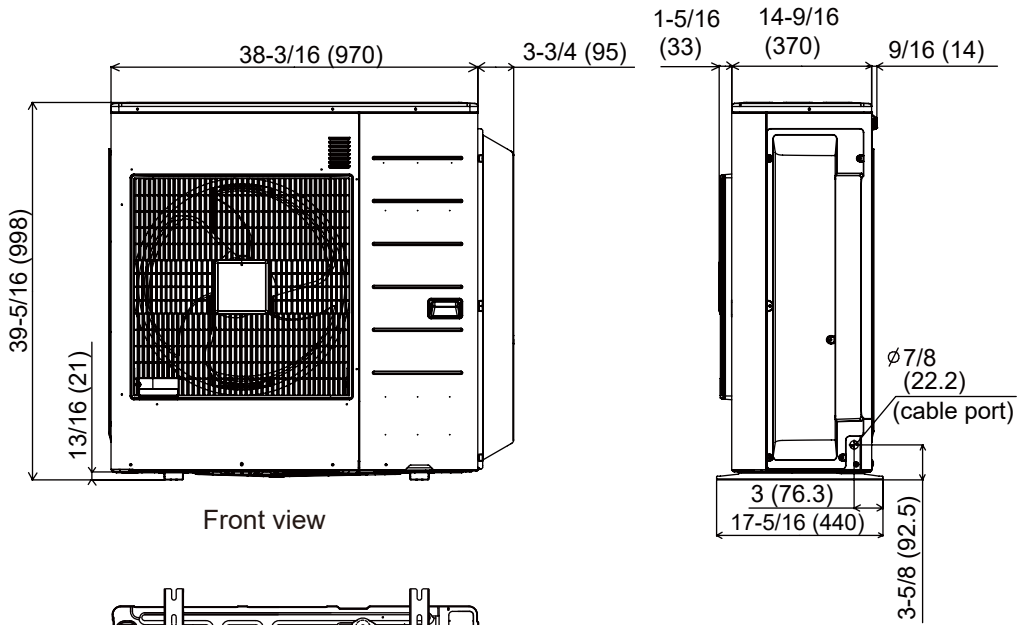
# Dimensions (Outdoor unit)

## 1. Model: AOU36RLXFZH

Unit: in (mm)

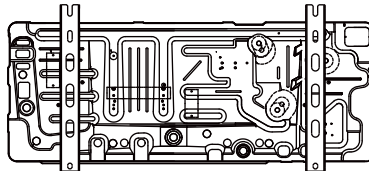


Top view

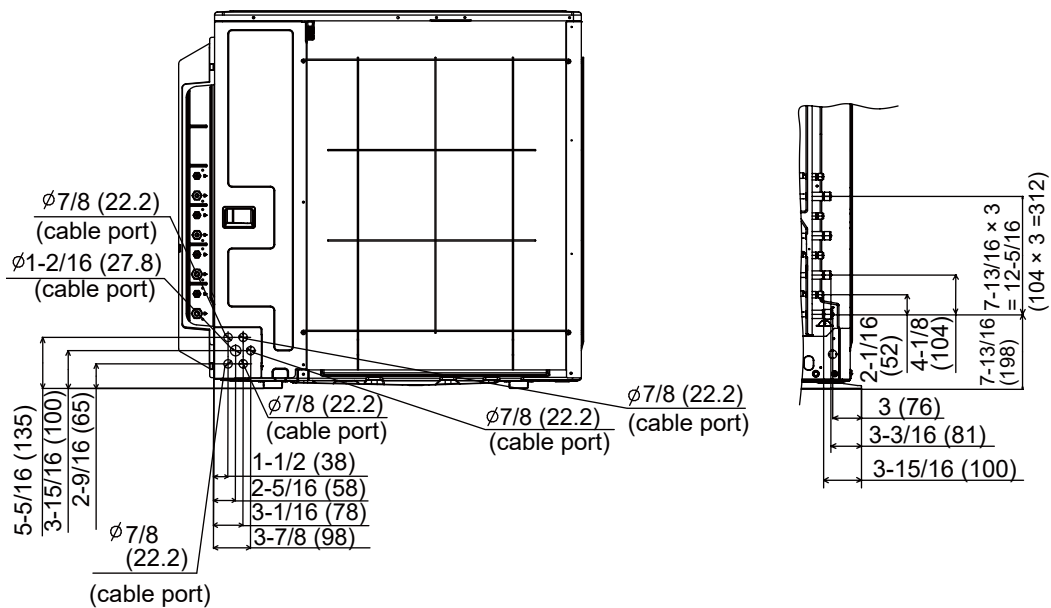


Front view

Side view



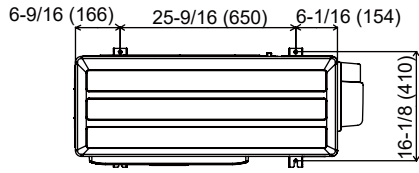
Bottom view



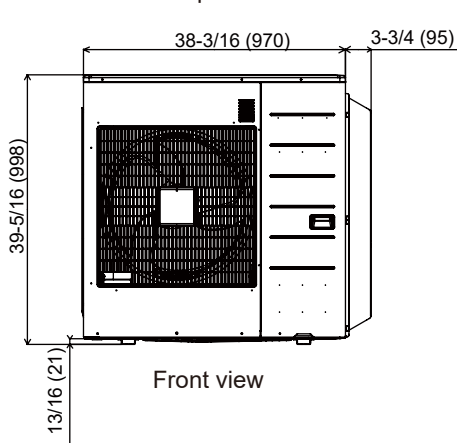
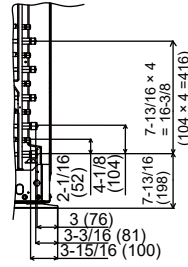
Rear view

# 2. Model: AOU45RLXFZ

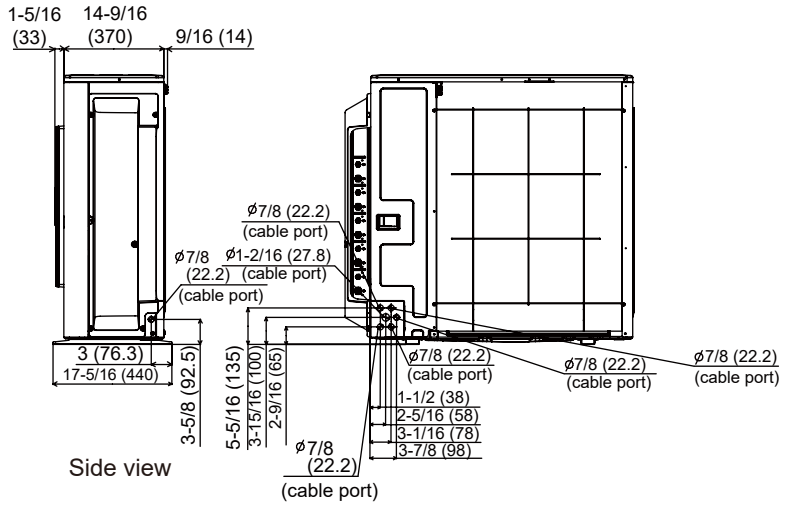
Unit: in (mm)



Top view

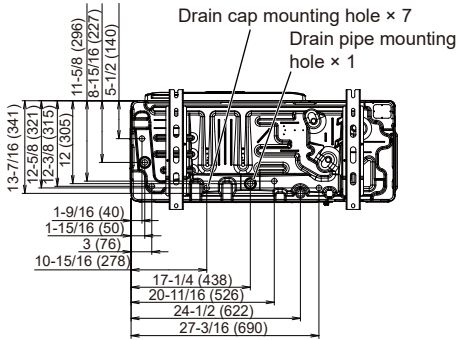


Front view



Side view

Rear view

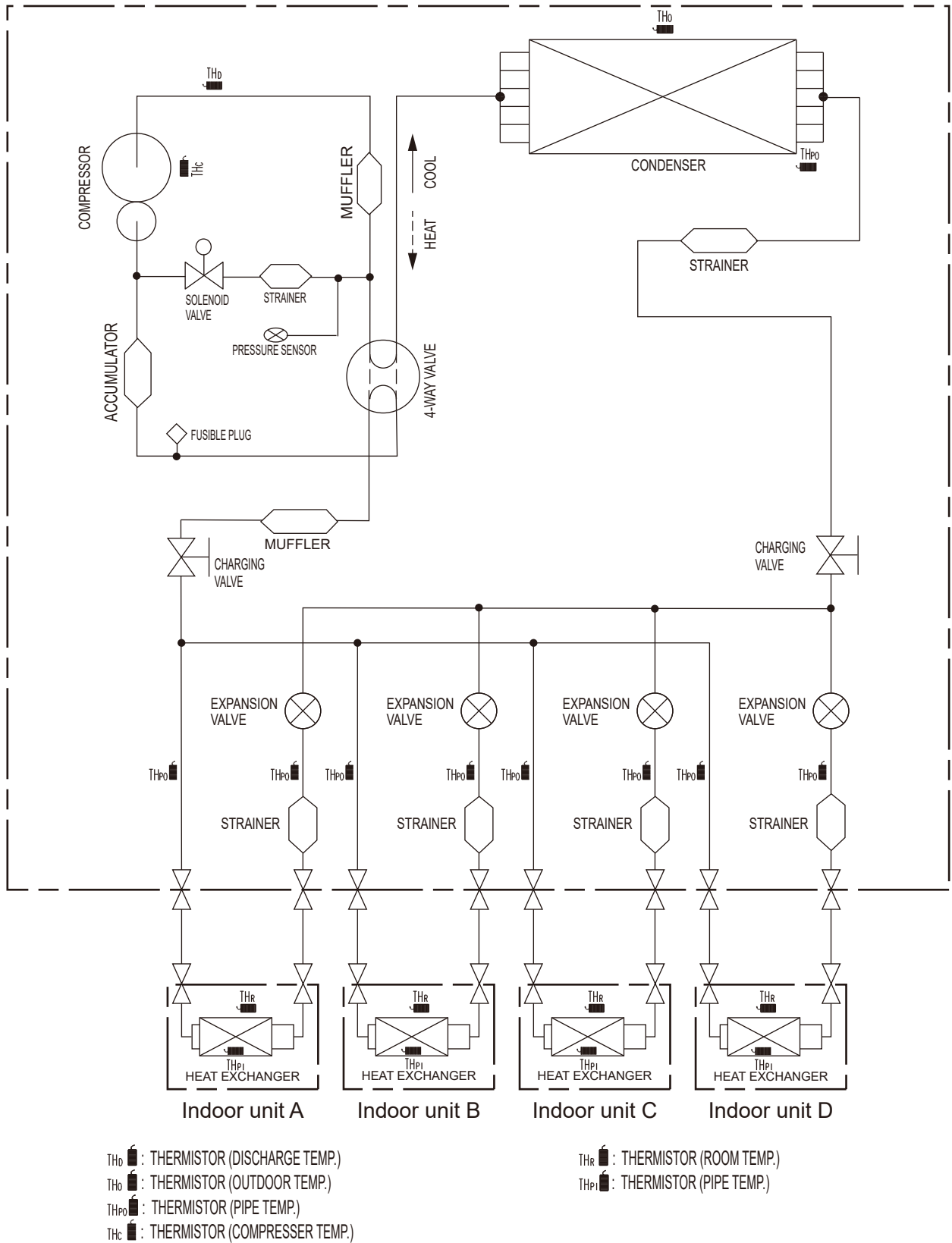


Bottom view

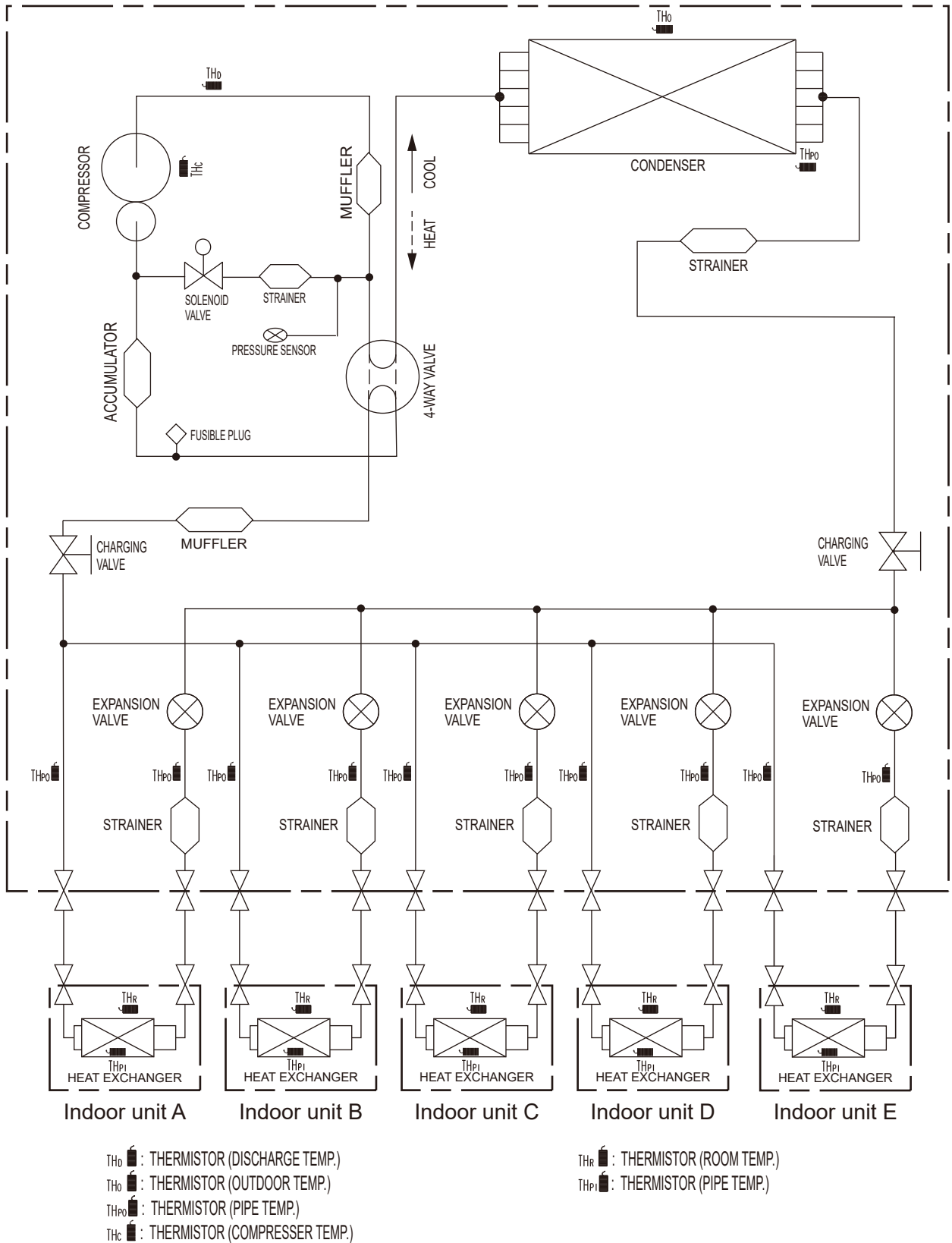
Drain cap mounting hole × 7  
Drain pipe mounting hole × 1

# Refrigerant circuit

## 1. Model: AOU36RLXFZH



## 2. Model: AOU45RLXFZ



# PCB Circuit diagram

INDOOR UNIT  
 ACUH07LUAS1  
 ACUH09LUAS1  
 ACUH12LUAS1  
 ACUH18LUAS1  
 UTG-CCGFGA

CONTROL UNIT  
 07 model : EZ-021BHSE  
 09 model : EZ-02013HSE  
 12 model : EZ-02014HSE  
 18 model : EZ-02015HSE

CN8 Thermistor Characteristics.

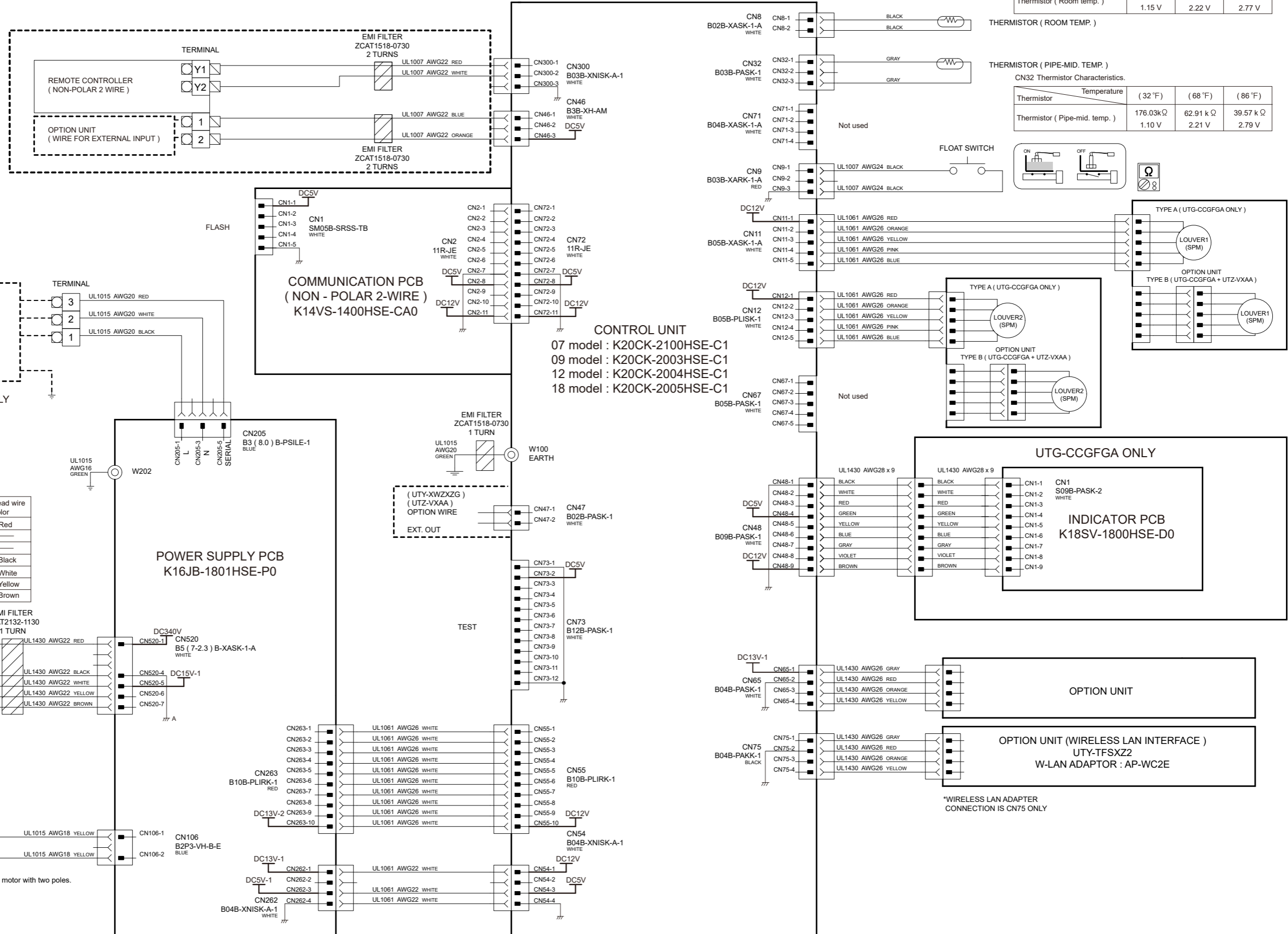
Thermistor	Temperature	(32 °F)	(68 °F)	(86 °F)
Thermistor ( Room temp. )		33.62 k Ω	12.54 k Ω	8.04 k Ω
		1.15 V	2.22 V	2.77 V

THERMISTOR ( ROOM TEMP. )

THERMISTOR ( PIPE-MID. TEMP. )

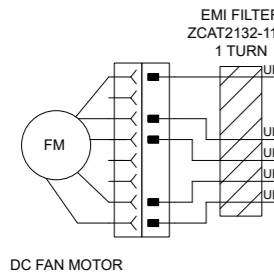
CN32 Thermistor Characteristics.

Thermistor	Temperature	(32 °F)	(68 °F)	(86 °F)
Thermistor ( Pipe-mid. temp. )		176.03k Ω	62.91 k Ω	39.57 k Ω
		1.10 V	2.21 V	2.79 V

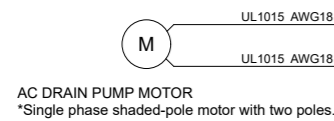


CN520 DC Fan motor

Pin No.	Terminal code	Function of terminal	Lead wire color
1	Vm	Motor power voltage input	Red
2	---	---	---
3	---	---	---
4	GND	GND	Black
5	Vcc	Control power voltage input	White
6	Vsp	Speed control voltage input	Yellow
7	FG	Revolution pulse output	Brown



DC FAN MOTOR



AC DRAIN PUMP MOTOR  
 \*Single phase shaded-pole motor with two poles.

INDOOR UNIT  
 ADUH07LUAS1  
 ADUH09LUAS1  
 ADUH12LUAS1  
 ADUH18LUAS1  
 ADUH24LUAS1

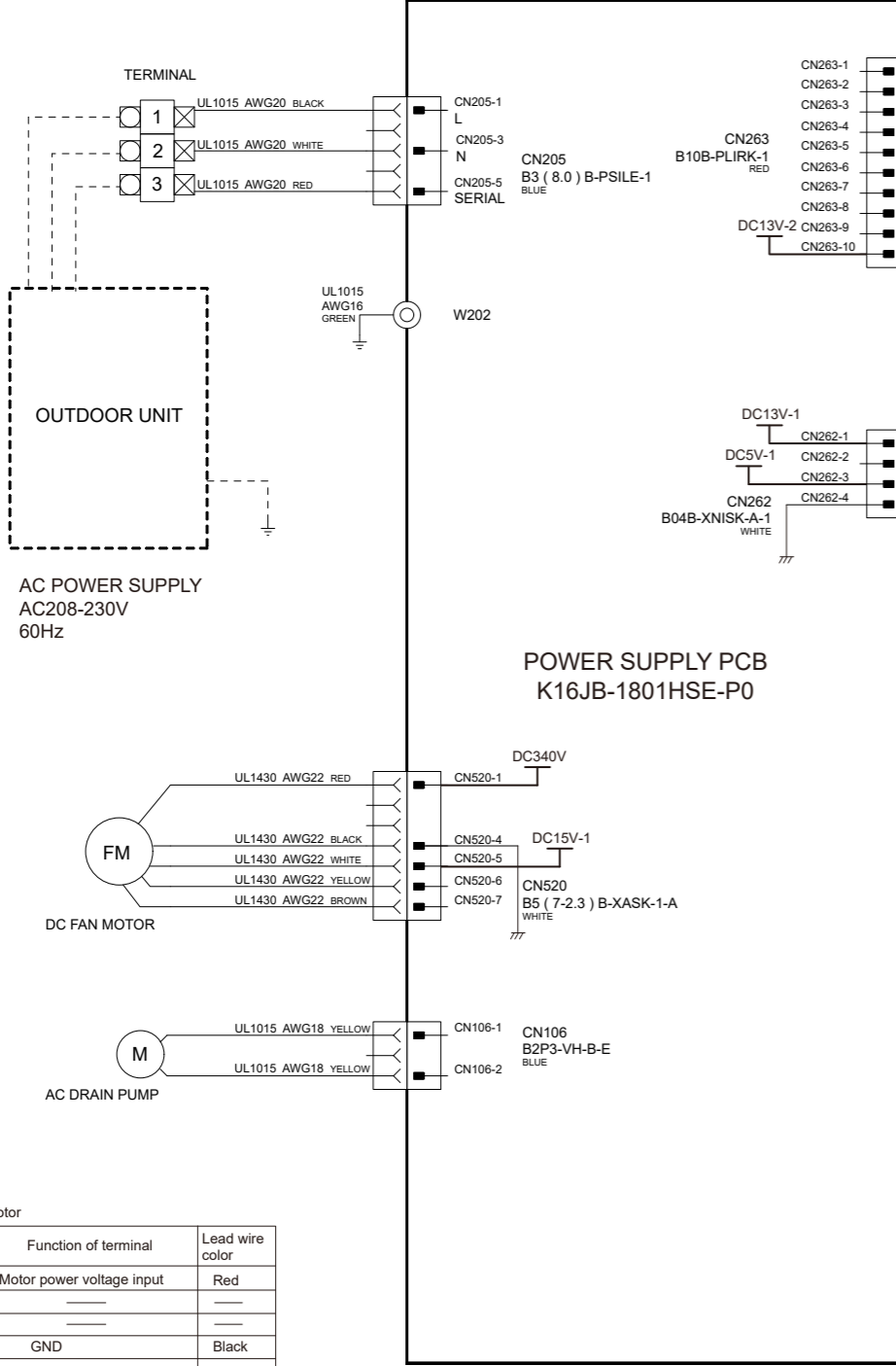
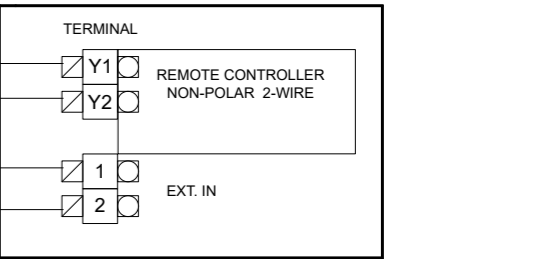
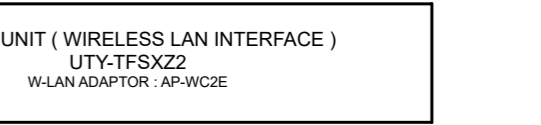
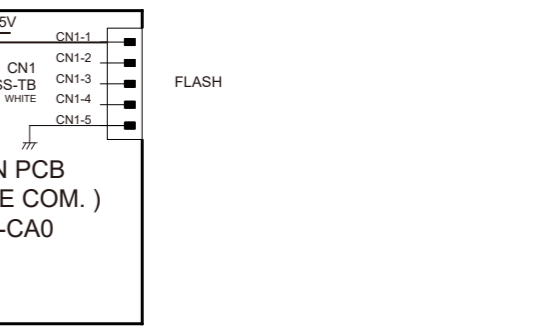
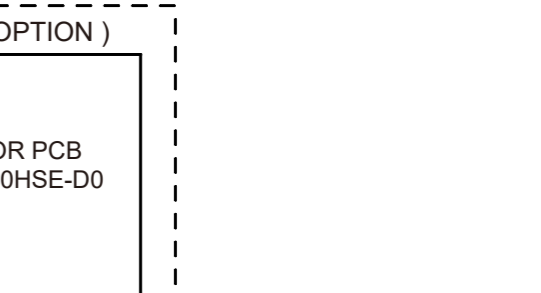
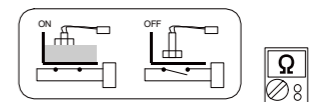
CONTROL UNIT  
 07 model : EZ-021EHSE  
 09 model : EZ-02016HSE  
 12 model : EZ-02017HSE  
 18 model : EZ-02018HSE  
 24 model : EZ-021FHSE

CN8 Thermistor Characteristics.

Thermistor	Temperature	(32°F)	(68°F)	(86°F)
Thermistor ( Room temp. )		33.62 kΩ	12.54 kΩ	8.04 kΩ
		1.15 V	2.22 V	2.77 V

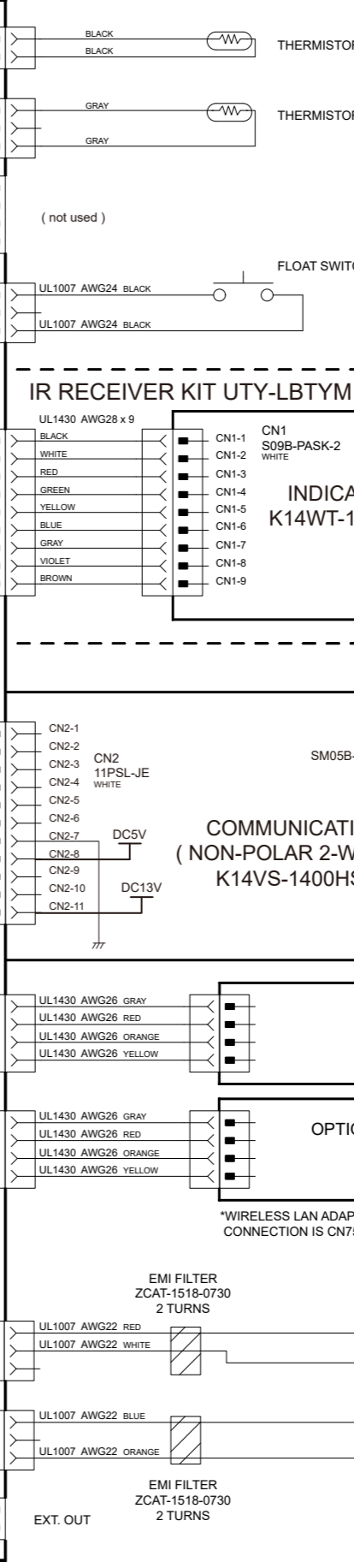
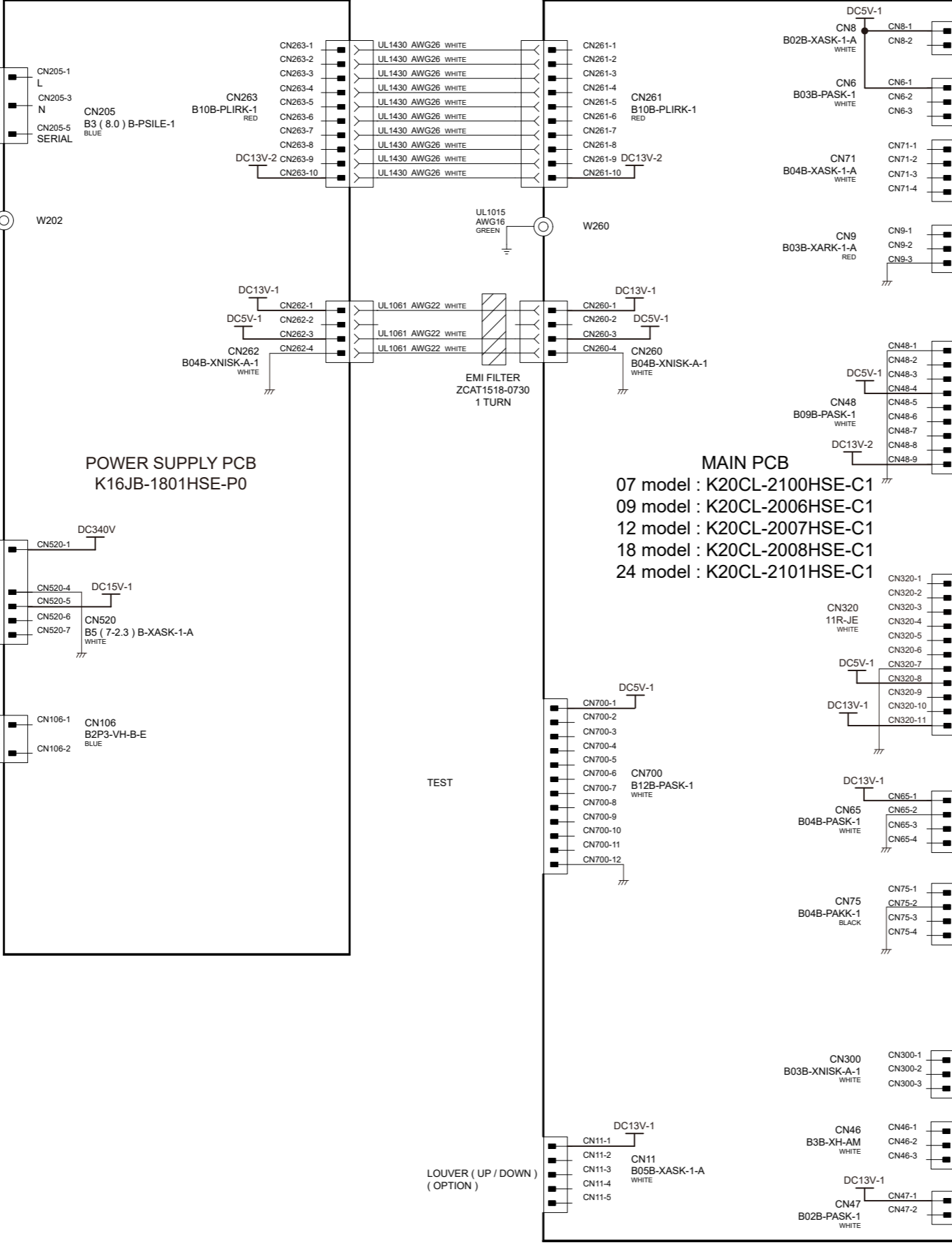
CN6 Thermistor Characteristics.

Thermistor	Temperature	(32°F)	(68°F)	(86°F)
Thermistor ( Pipe-mid. temp. )		176.03kΩ	62.91 kΩ	39.57 kΩ
		1.10 V	2.21 V	2.79 V



CN520 DC Fan motor

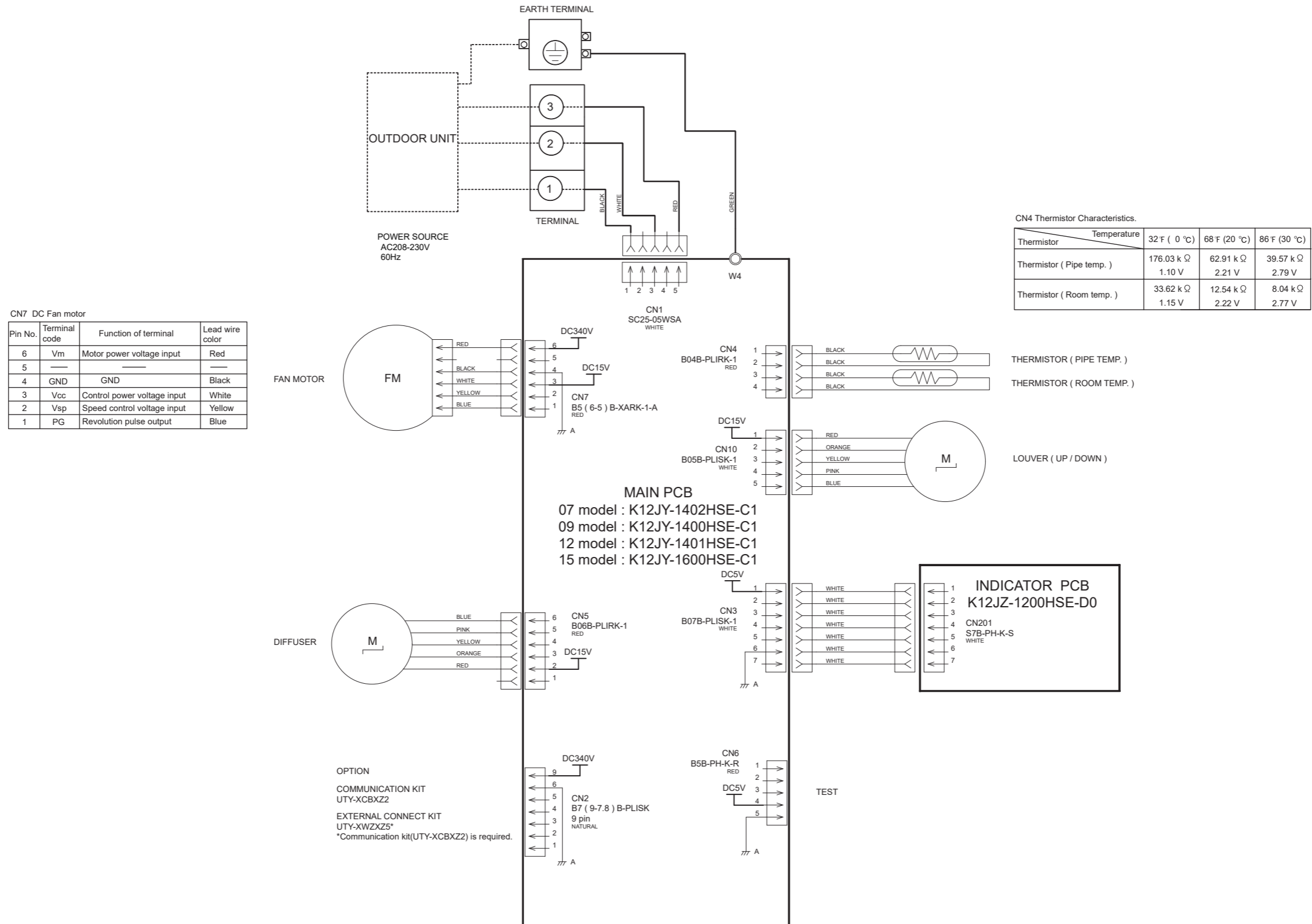
Pin No.	Terminal code	Function of terminal	Lead wire color
1	Vm	Motor power voltage input	Red
2	---	---	---
3	---	---	---
4	GND	GND	Black
5	Vcc	Control power voltage input	White
6	Vsp	Speed control voltage input	Yellow
7	FG	Revolution pulse output	Brown





INDOOR UNIT  
 ASU7RLF1  
 ASU9RLF1  
 ASU12RLF1  
 ASU15RLF1

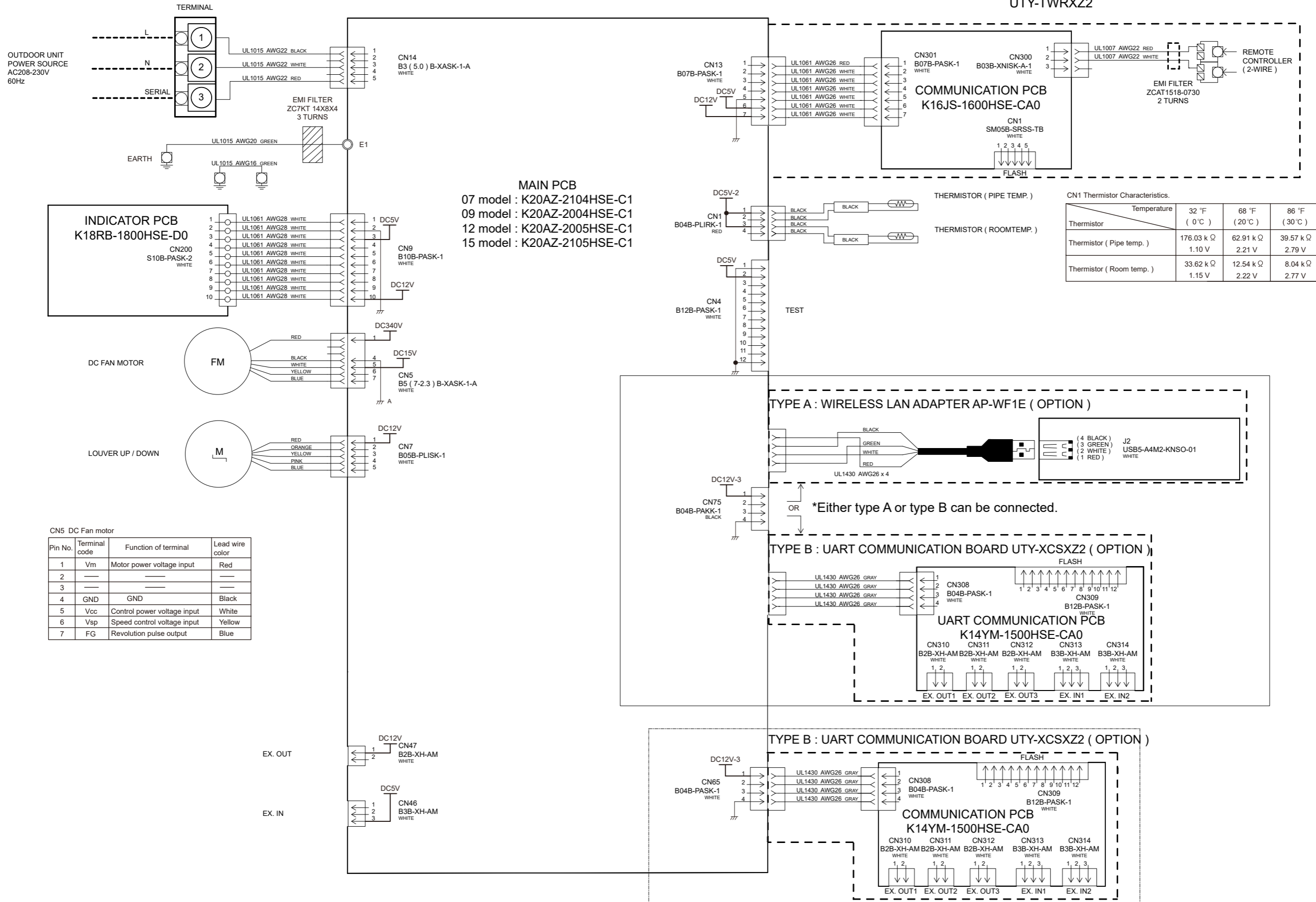
CONTROL UNIT  
 07 model : EZ-0131DHSE  
 09 model : EZ-0130WHSE  
 12 model : EZ-0130YHSE  
 15 model : EZ-0160SHSE



INDOOR UNIT  
 ASUH07LPAS  
 ASUH09LPAS  
 ASUH12LPAS  
 ASUH15LPAS

CONTROL UNIT  
 07 model : EZ-021GHSE  
 09 model : EZ-0201CHSE  
 12 model : EZ-0201DHSE  
 15 model : EZ-021HHSE

2-WIRE REMOTE CONTROL UNIT ( OPTION )  
 UTY-TWRXZ2



MAIN PCB  
 07 model : K20AZ-2104HSE-C1  
 09 model : K20AZ-2004HSE-C1  
 12 model : K20AZ-2005HSE-C1  
 15 model : K20AZ-2105HSE-C1

CN1 Thermistor Characteristics.

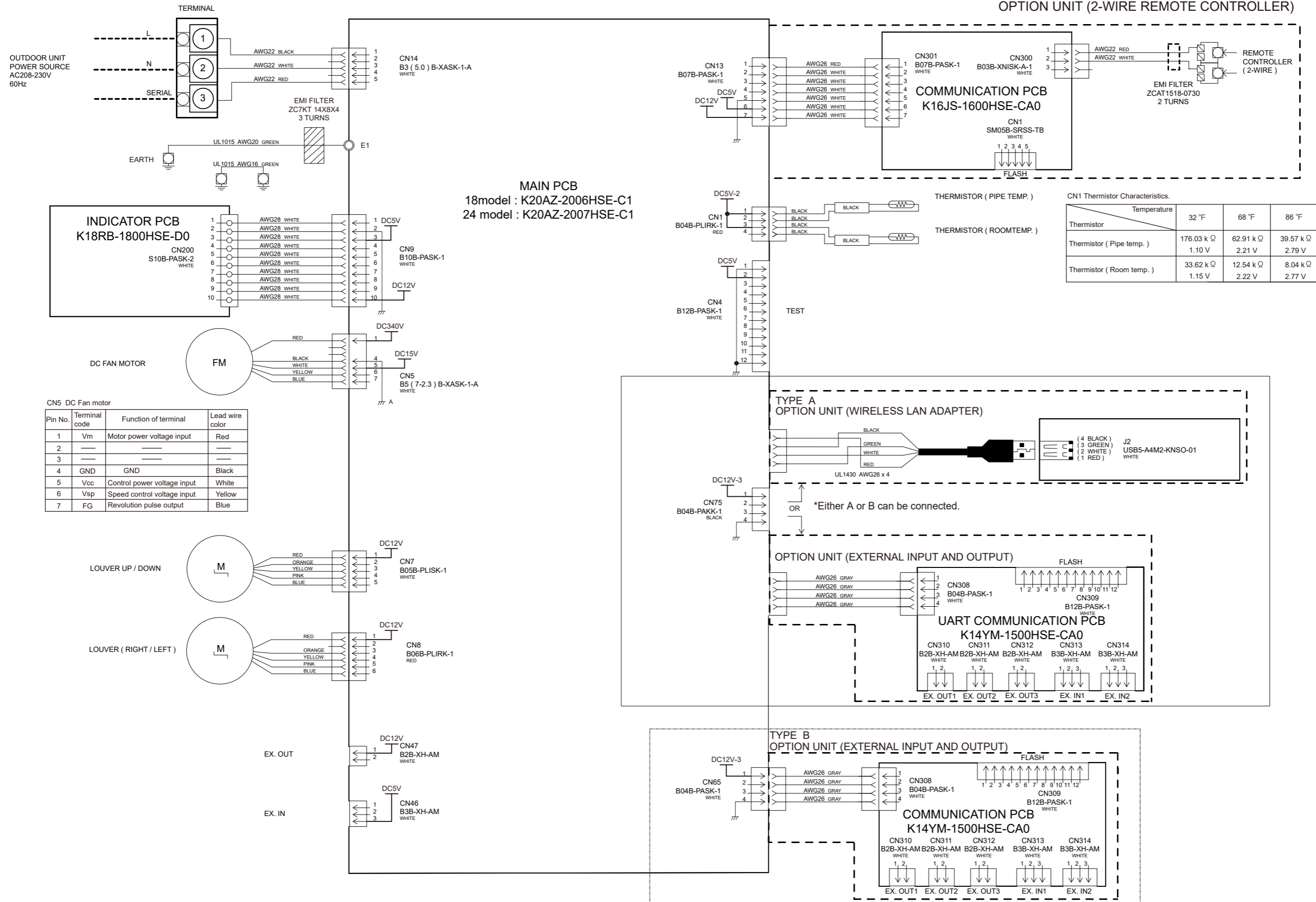
Temperature	32 °F ( 0 °C )	68 °F ( 20 °C )	86 °F ( 30 °C )
Thermistor ( Pipe temp. )	176.03 k Ω	62.91 k Ω	39.57 k Ω
	1.10 V	2.21 V	2.79 V
Thermistor ( Room temp. )	33.62 k Ω	12.54 k Ω	8.04 k Ω
	1.15 V	2.22 V	2.77 V

CN5 DC Fan motor

Pin No.	Terminal code	Function of terminal	Lead wire color
1	Vm	Motor power voltage input	Red
2	---	---	---
3	---	---	---
4	GND	GND	Black
5	Vcc	Control power voltage input	White
6	Vsp	Speed control voltage input	Yellow
7	FG	Revolution pulse output	Blue

INDOOR UNIT  
ASUH18LPAS  
ASUH24LPAS

CONTROL UNIT  
18 model : EZ-0201KHSE  
24 model : EZ-0201LHSE



CN1 Thermistor Characteristics.

Temperature	32 °F	68 °F	86 °F
Thermistor ( Pipe temp. )	176.03 k Ω	62.91 k Ω	39.57 k Ω
Thermistor ( Room temp. )	33.62 k Ω	12.54 k Ω	8.04 k Ω

CN5 DC Fan motor

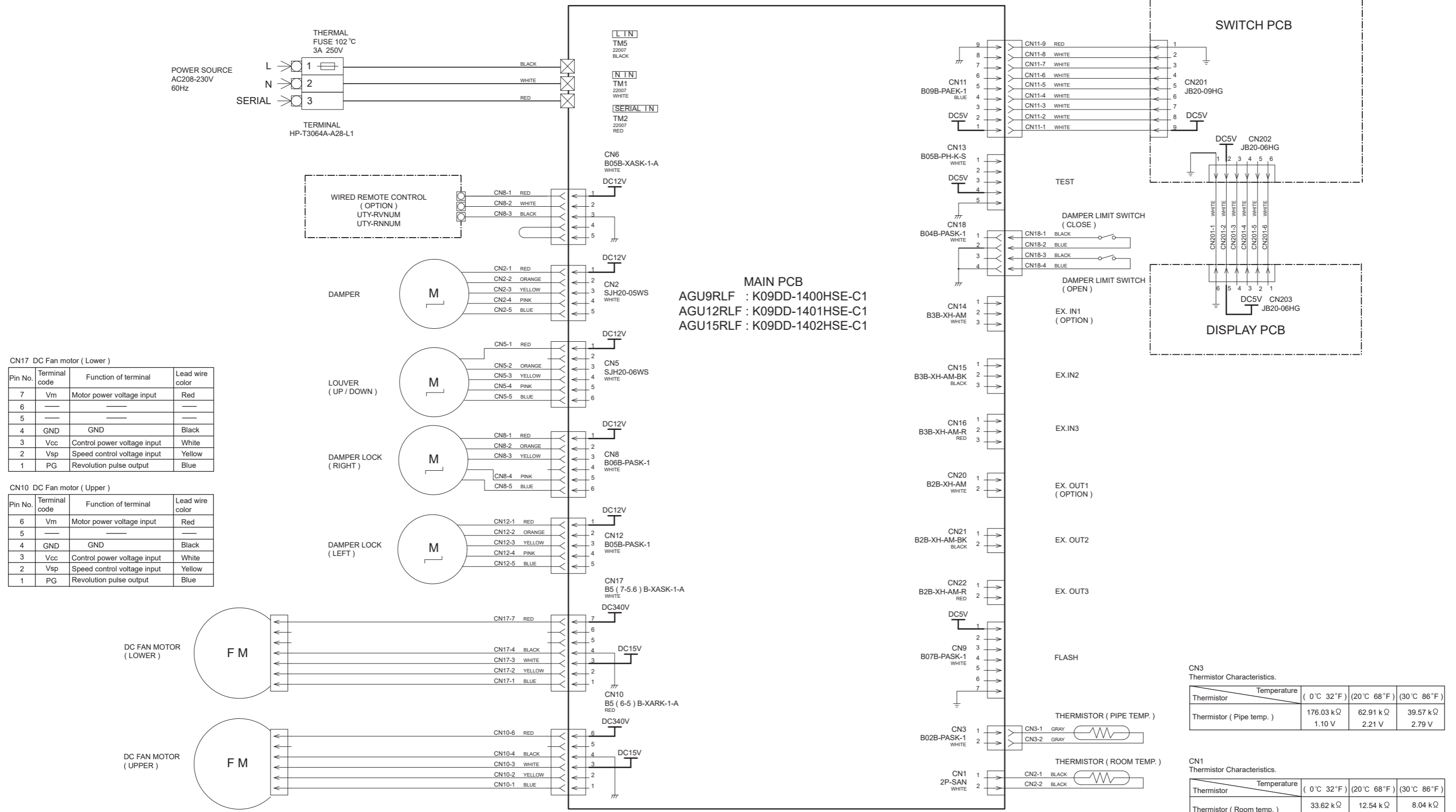
Pin No.	Terminal code	Function of terminal	Lead wire color
1	Vm	Motor power voltage input	Red
2	---	---	---
3	---	---	---
4	GND	GND	Black
5	Vcc	Control power voltage input	White
6	Vsp	Speed control voltage input	Yellow
7	FG	Revolution pulse output	Blue

\*Only type B can be connected.

INDOOR UNIT  
 AGU9RLF  
 AGU12RLF  
 AGU15RLF

CONTROL UNIT  
 AGU9RLF : EZ-01302HSE  
 AGU12RLF : EZ-01303HSE  
 AGU15RLF : EZ-01304HSE

INDICATOR PCB ( SWITCH + DISPLAY )  
 K06DD-0801HSE-F0



CN17 DC Fan motor ( Lower )

Pin No.	Terminal code	Function of terminal	Lead wire color
7	Vm	Motor power voltage input	Red
6	---	---	---
5	---	---	---
4	GND	GND	Black
3	Vcc	Control power voltage input	White
2	Vsp	Speed control voltage input	Yellow
1	PG	Revolution pulse output	Blue

CN10 DC Fan motor ( Upper )

Pin No.	Terminal code	Function of terminal	Lead wire color
6	Vm	Motor power voltage input	Red
5	---	---	---
4	GND	GND	Black
3	Vcc	Control power voltage input	White
2	Vsp	Speed control voltage input	Yellow
1	PG	Revolution pulse output	Blue

CN3 Thermistor Characteristics.

Thermistor	Temperature		
	( 0°C 32°F )	( 20°C 68°F )	( 30°C 86°F )
Thermistor ( Pipe temp. )	176.03 kΩ	62.91 kΩ	39.57 kΩ
	1.10 V	2.21 V	2.79 V

CN1 Thermistor Characteristics.

Thermistor	Temperature		
	( 0°C 32°F )	( 20°C 68°F )	( 30°C 86°F )
Thermistor ( Room temp. )	33.62 kΩ	12.54 kΩ	8.04 kΩ
	1.15 V	2.22 V	2.77 V

OUTDOOR UNIT  
AOU36RLXFZH

INVERTER ASSEMBLY  
36 model : EZ-0150SHUE

CN243 DC Fan motor

Pin No.	Terminal code	Function of terminal	Lead wire color
1	Vm	Motor power voltage input	Red
2			
3			
4	GND	GND	Black
5	Vcc	Control power voltage input	White
6	Vsp	Speed control voltage input	Yellow
7	PG	Revolution pulse output	Brown

HIGH PRESSURE SENSOR

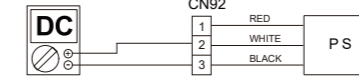
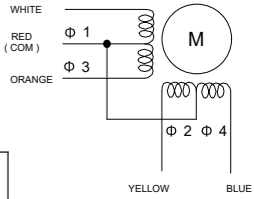
High pressure sensor  
Wiring and coloring

Pin No.	Signal	Color
1	Vcc	Red
2	Vout	White
3	GND	Black

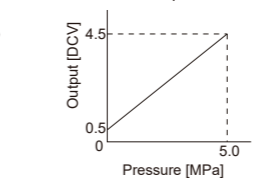
Recommended drive condition : Unipolar drive, 1-2 phase excitation.

Phase No.	Lead wire colors	Switching mode							
		1	2	3	4	5	6	7	8
Φ 1	White	On	On	Off	Off	Off	Off	Off	On
Φ 2	Yellow	Off	On	On	On	Off	Off	Off	Off
Φ 3	Orange	Off	Off	Off	On	On	On	Off	Off
Φ 4	Blue	Off	Off	Off	Off	On	On	On	On

The movement mode  
1→2→3→4→5→6→7→8 : Valve close  
8→7→6→5→4→3→2→1 : Valve open



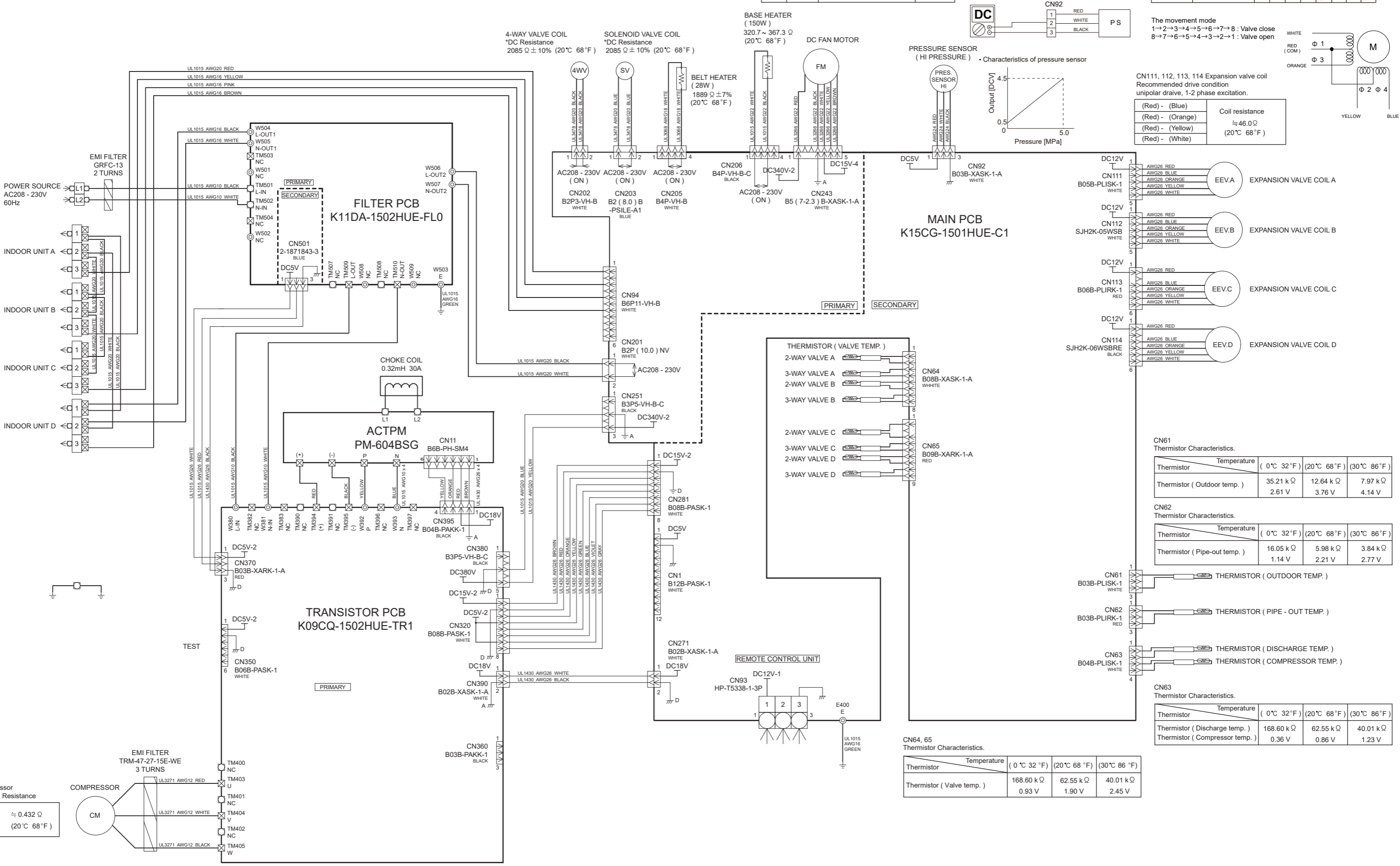
DC FAN MOTOR



PRESSURE SENSOR (HI PRESSURE) - Characteristics of pressure sensor

CN111, 112, 113, 114 Expansion valve coil  
Recommended drive condition  
unipolar drive, 1-2 phase excitation.

Lead wire colors	Coil resistance
(Red) - (Blue)	≈ 46.0 Ω (20°C 68°F)
(Red) - (Orange)	
(Red) - (Yellow)	
(Red) - (White)	



Compressor  
Winding Resistance

U-V	≈ 0.432 Ω (20°C 68°F)
V-W	
U-W	

OUTDOOR UNIT  
AOU45RLXFZ

INVERTER ASSEMBLY  
45 model : EZ-0150RHUE

CN243 DC Fan motor

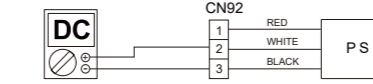
Pin No.	Terminal code	Function of terminal	Lead wire color
1	Vm	Motor power voltage input	Red
2	—	—	—
3	—	—	—
4	GND	GND	Black
5	Vcc	Control power voltage input	White
6	Vsp	Speed control voltage input	Yellow
7	PG	Revolution pulse output	Brown

HIGH PRESSURE SENSOR

High pressure sensor  
Wiring and coloring

Pin No.	Signal	Color
1	Vcc	Red
2	Vout	White
3	GND	Black

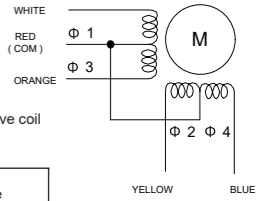
\* With the connector connected to the Main PCB, measure the voltage between P20 : 2 - 3 of the Main PCB



Recommended drive condition : Unipolar drive, 1-2 phase excitation.

Phase No.	Lead wire colors	Switching mode							
		1	2	3	4	5	6	7	8
Φ 1	White	On	On	Off	Off	Off	Off	Off	On
Φ 2	Yellow	Off	On	On	On	Off	Off	Off	Off
Φ 3	Orange	Off	Off	Off	On	On	On	Off	Off
Φ 4	Blue	Off	Off	Off	Off	Off	On	On	On

The movement mode  
1→2→3→4→5→6→7→8 : Valve close  
8→7→6→5→4→3→2→1 : Valve open



CN111, 112, 113, 114, 115 Expansion valve coil  
Recommended drive condition  
unipolar drive, 1-2 phase excitation.

(Red) - (Blue)	Coil resistance ≈ 46.0 Ω (20°C 68°F)
(Red) - (Orange)	
(Red) - (Yellow)	
(Red) - (White)	

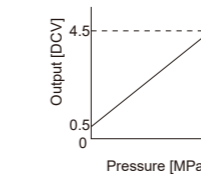
4-WAY VALVE COIL  
\*DC Resistance  
2085 Ω ± 10% (20°C 68°F)

SOLENOID VALVE COIL  
\*DC Resistance  
2085 Ω ± 10% (20°C 68°F)

DC FAN MOTOR

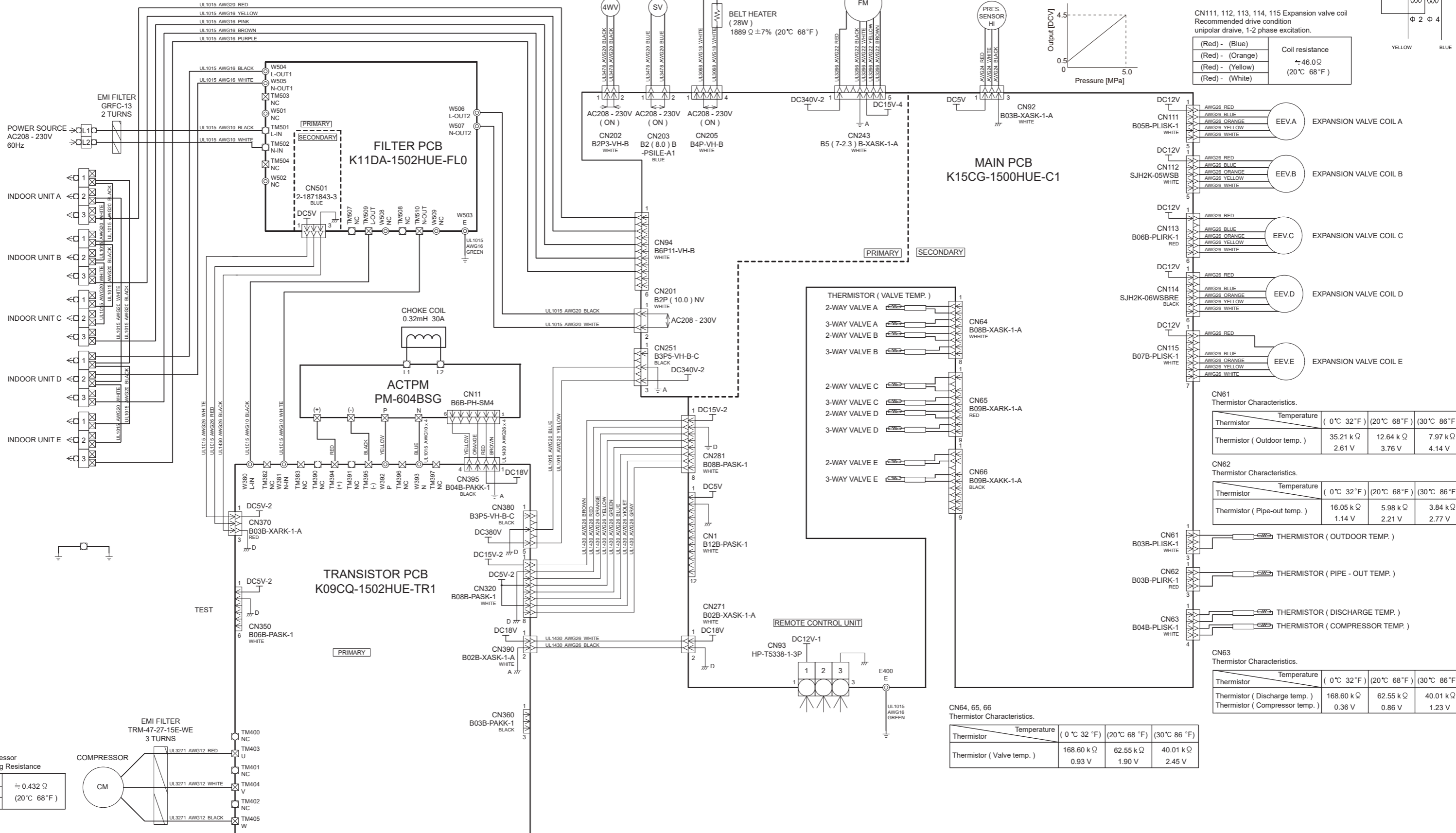
PRESSURE SENSOR  
( HI PRESSURE )

Characteristics of pressure sensor



CN111, 112, 113, 114, 115 Expansion valve coil  
Recommended drive condition  
unipolar drive, 1-2 phase excitation.

(Red) - (Blue)	Coil resistance ≈ 46.0 Ω (20°C 68°F)
(Red) - (Orange)	
(Red) - (Yellow)	
(Red) - (White)	



CN61 Thermistor Characteristics.

Thermistor	Temperature ( 0°C 32°F )	(20°C 68°F)	(30°C 86°F)
Thermistor ( Outdoor temp. )	35.21 k Ω	12.64 k Ω	7.97 k Ω
	2.61 V	3.76 V	4.14 V

CN62 Thermistor Characteristics.

Thermistor	Temperature ( 0°C 32°F )	(20°C 68°F)	(30°C 86°F)
Thermistor ( Pipe-out temp. )	16.05 k Ω	5.98 k Ω	3.84 k Ω
	1.14 V	2.21 V	2.77 V

CN63 Thermistor Characteristics.

Thermistor	Temperature ( 0°C 32°F )	(20°C 68°F)	(30°C 86°F)
Thermistor ( Discharge temp. )	168.60 k Ω	62.55 k Ω	40.01 k Ω
Thermistor ( Compressor temp. )	0.36 V	0.86 V	1.23 V

CN64, 65, 66 Thermistor Characteristics.

Thermistor	Temperature ( 0°C 32°F )	(20°C 68°F)	(30°C 86°F)
Thermistor ( Valve temp. )	168.60 k Ω	62.55 k Ω	40.01 k Ω
	0.93 V	1.90 V	2.45 V

Compressor Winding Resistance

U-V	≈ 0.432 Ω
V-W	
U-W	(20°C 68°F)

# Error detection

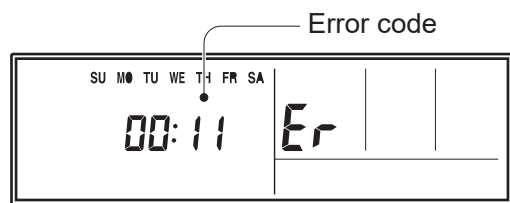
## INDOOR UNIT and WIRED REMOTE CONTROL

If you use a wireless remote control, the lamp on the photo detector unit will output error codes by way of blinking patterns.

If you use a wired type remote control, error codes will appear on the remote control display. See the lamp blinking patterns and error codes in the table. An error display is displayed only during running.

This is possible only on a wired remote control.

If an error occurs, the following display will be shown. ("Er" will appear in the set room temperature display.)



EX. Self-diagnosis

● : 0.5s on / 0.5s off

◇ : 0.1s on / 0.1s off

( ) : Number of flashing

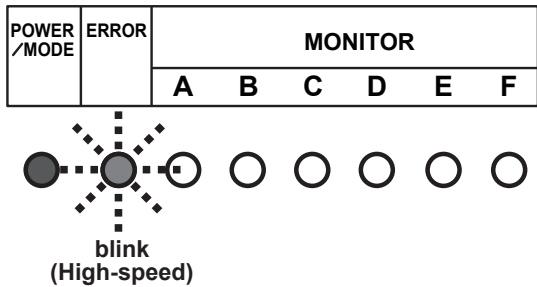
Indoor unit			Wired remote control	Description
OPERATION lamp (green)	TIMER lamp (orange)	ECONOMY lamp (green)		
●(1)	●(1)	◇	11	Serial communication error
●(1)	●(2)	◇	12	Wired remote control communication error
●(1)	●(5)	◇	15	Check run unfinished
●(2)	●(1)	◇	21	Unit number or Refrigerant circuit address setting error [Simultaneous Multi]
●(2)	●(2)	◇	22	Indoor unit capacity error
●(2)	●(3)	◇	23	Combination error
●(2)	●(4)	◇	24	• Connection unit number error (indoor slave unit) [Simultaneous Multi] • Connection unit number error (indoor unit or branch unit) [Flexible Multi]
●(2)	●(7)	◇	27	Master unit, slave unit set-up error [Simultaneous Multi]
●(3)	●(2)	◇	32	Indoor unit PCB model information error
●(3)	●(5)	◇	35	Manual auto switch error
●(4)	●(1)	◇	41	Inlet air temp. sensor error
●(4)	●(2)	◇	42	Indoor unit Heat Ex. Middle temp. sensor error
●(5)	●(1)	◇	51	Indoor unit fan motor error
●(5)	●(3)	◇	53	Drain pump error
●(5)	●(7)	◇	57	Damper error
●(5)	●(15)	◇	5U	Indoor unit error
●(6)	●(2)	◇	62	Outdoor unit main PCB model information error or communication error
●(6)	●(3)	◇	63	Inverter error
●(6)	●(4)	◇	64	Active filter error, PFC circuit error
●(6)	●(5)	◇	65	Trip terminal L error

Indoor unit			Wired remote control	Description
OPERATION lamp (green)	TIMER lamp (orange)	ECONOMY lamp (green)		
●(6)	●(10)	◇	6A	Display PCB microcomputers communication error
●(7)	●(1)	◇	71	Discharge temp. sensor error
●(7)	●(2)	◇	72	Compressor temp. sensor error
●(7)	●(3)	◇	73	Outdoor unit Heat Ex. liquid temp. sensor error
●(7)	●(4)	◇	74	Outdoor temp. sensor error
●(7)	●(5)	◇	75	Suction Gas temp. sensor error
●(7)	●(6)	◇	76	• 2-way valve temp. sensor error • 3-way valve temp. sensor error
●(7)	●(7)	◇	77	Heat sink temp. sensor error
●(8)	●(2)	◇	82	• Sub-cool Heat Ex. gas inlet temp. sensor error • Sub-cool Heat Ex. gas outlet temp. sensor error
●(8)	●(3)	◇	83	Liquid pipe temp. sensor error
●(8)	●(4)	◇	84	Current sensor error
●(8)	●(6)	◇	86	• Discharge pressure sensor error • Suction pressure sensor error • High pressure switch error
●(9)	●(4)	◇	94	Trip detection
●(9)	●(5)	◇	95	Compressor rotor position detection error (permanent stop)
●(9)	●(7)	◇	97	Outdoor unit fan motor error
●(9)	●(9)	◇	99	4-way valve error
●(10)	●(1)	◇	A1	Discharge temp. error
●(10)	●(3)	◇	A3	Compressor temp. error
●(10)	●(4)	◇	A4	High pressure error
●(10)	●(5)	◇	A5	Low pressure error
●(13)	●(2)	◇	J2	Branch boxes error [Flexible Multi]

OUTDOOR UNIT  
 AOU36RLXFZH  
 AOU45RLXFZ

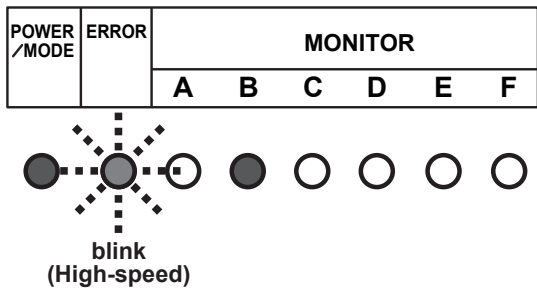
If an error occurs, the LED will light up to display the error location and the error code.

In the event of an error, the error LED flashes quickly.



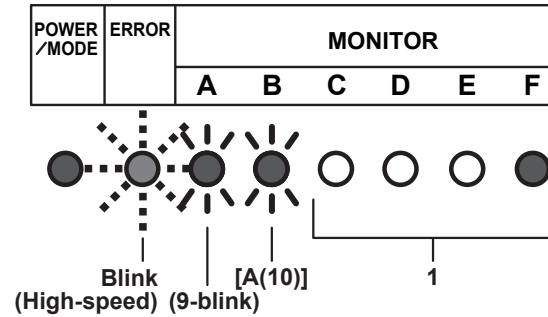
LEDs A to F of MONITOR light up and display the error location. In the case of an overall error, LEDs A to F of MONITOR do not light up.

Example) Coil error in indoor unit B




While the error is occurring, please briefly press SW1. The error code is displayed.

Example) Coil error (Error cord = 9A.1)



Display mode

- LED on: ●
- LED off: ○
- Blink:  (0.5s Light on / 0.5s Light off)

- Number of blinking: ( )
- For MONITOR (A and B)
- A: 10-Blink
  - C: 11-Blink
  - F: 12-Blink
  - J: 13-Blink
  - P: 14-Blink
  - U: 15-Blink

C	D	E	F	
○	○	○	●	→ 1
○	○	●	○	→ 2
○	○	●	●	→ 3
○	●	○	○	→ 4
○	●	○	●	→ 5
○	●	●	○	→ 6
○	●	●	●	→ 7
●	○	○	○	→ 8
●	○	○	●	→ 9
●	○	●	○	→ A
●	○	●	●	→ C
●	●	○	○	→ F
●	●	○	●	→ J
●	●	●	○	→ P
●	●	●	●	→ U

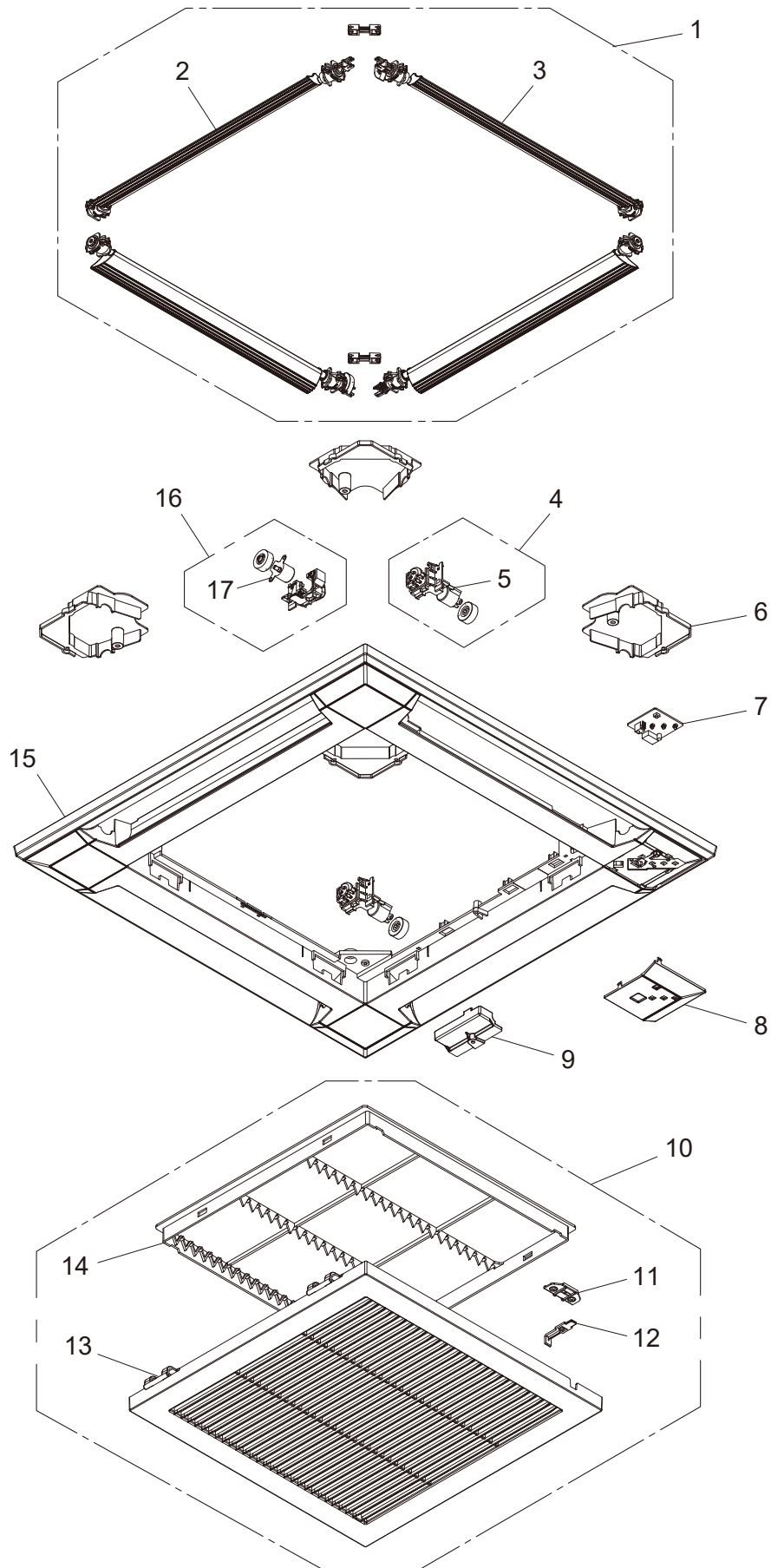
Error code	Error type
11.3	Serial communication error
11.4	Serial communication error during operation
16.5	Communication error between controller and outdoor unit
22.1	Indoor unit capacity error
5U.1	Indoor unit error
62.1	PCB model information error
62.3	EEPROM access error
62.6	Inverter communication error
62.8	EEPROM data corruption error
63.1	Inverter error
65.3	IPM error (Trip terminal L error)
71.1	Discharge temp. sensor error
72.1	Compressor temp. sensor error
73.2	Heat ex. middle temp. sensor error
73.3	Heat ex. out temp. sensor error
74.1	Outdoor temp. sensor error
75.1	Suction gas temp. sensor error
76.1	Valve sensor error
76.2	
77.1	Heat sink temp. sensor error
84.1	Current sensor 1 error (stoppage permanently)
86.1	Discharge pressure sensor error
94.1	Trip detection
95.1	Compressor motor control error (stoppage permanently)
97.3	Fan motor 1 error (Duty error)
98.3	Fan motor 2 error (Duty error)
99.1	4-way valve error
9A.1	Coil 1 (expansion valve) error
A1.1	Discharge temperature error (stoppage permanently)
A3.1	Compressor temperature error



# Cassette grille (optional part) parts list

Model: UTG-CCGFGA

## Overall

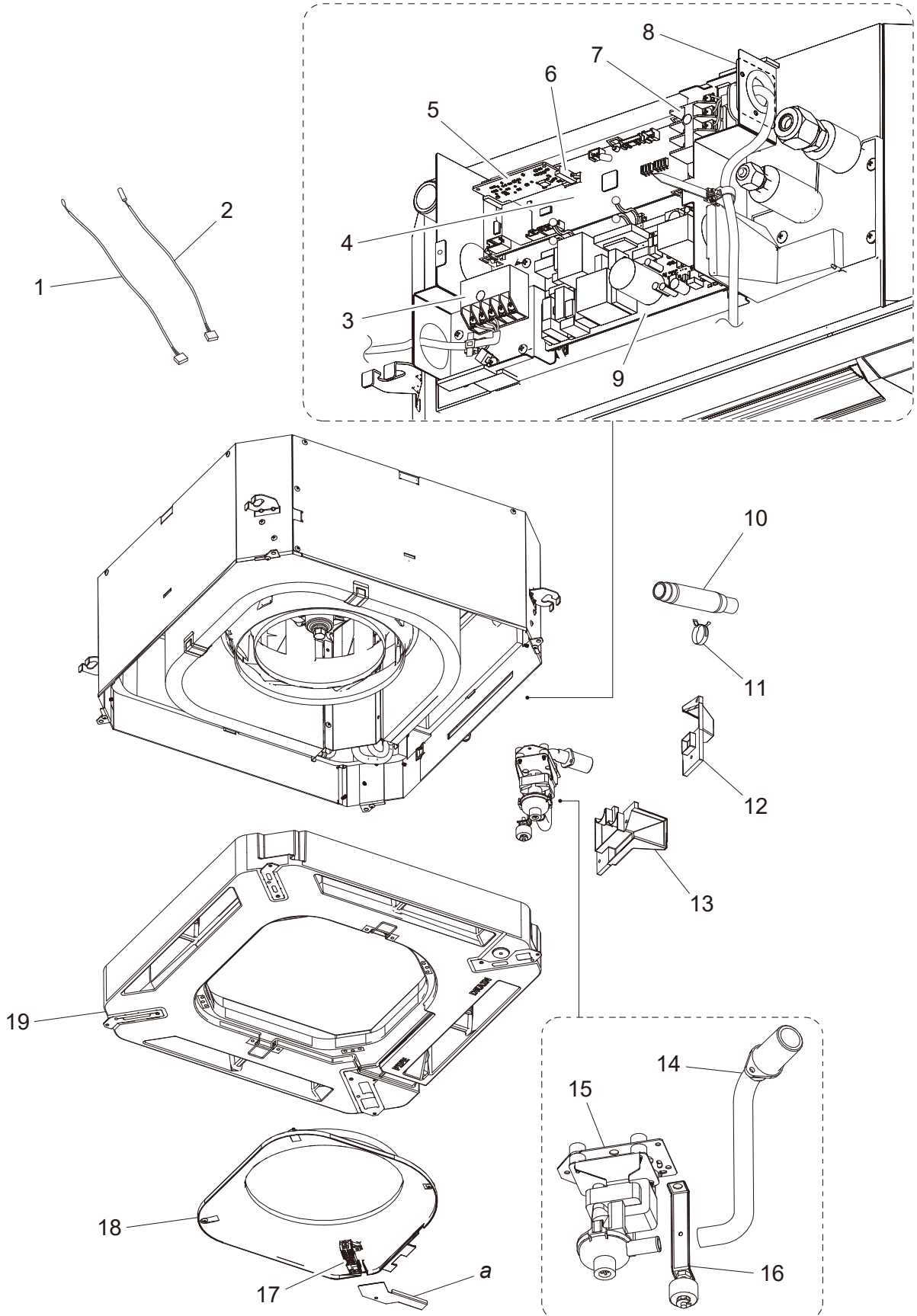


Item no.	Part no.	Part name	Service part
1	9377760043	Flap total assy	◆
2	9377759047	Flap assy B	◆
3	9375727048	Flap assy A	◆
4	9375746018	Motor holder assy B	◆
5	9900139087	Step motor (with Red connector)	◆
6	9375530013	Panel cover	◆
7	9711310002	Indicator PCB	◆
8	9383100024	Display panel assy	◆
9	9375549015	Connector cover	◆
10	9382862008	Intake grille assy	◆
11	9375546014	Hook bracket	◆
12	9375532031	Grille hook	◆
13	9382863005	Intake grille	◆
14	9375533014	Long-life filter	◆
15	9382821012	Decoration panel	◆
16	9375745011	Motor holder assy A	◆
17	9900139070	Step motor (with White connector)	◆
—	9711276001	Wire with connector	◆

# Indoor unit parts list

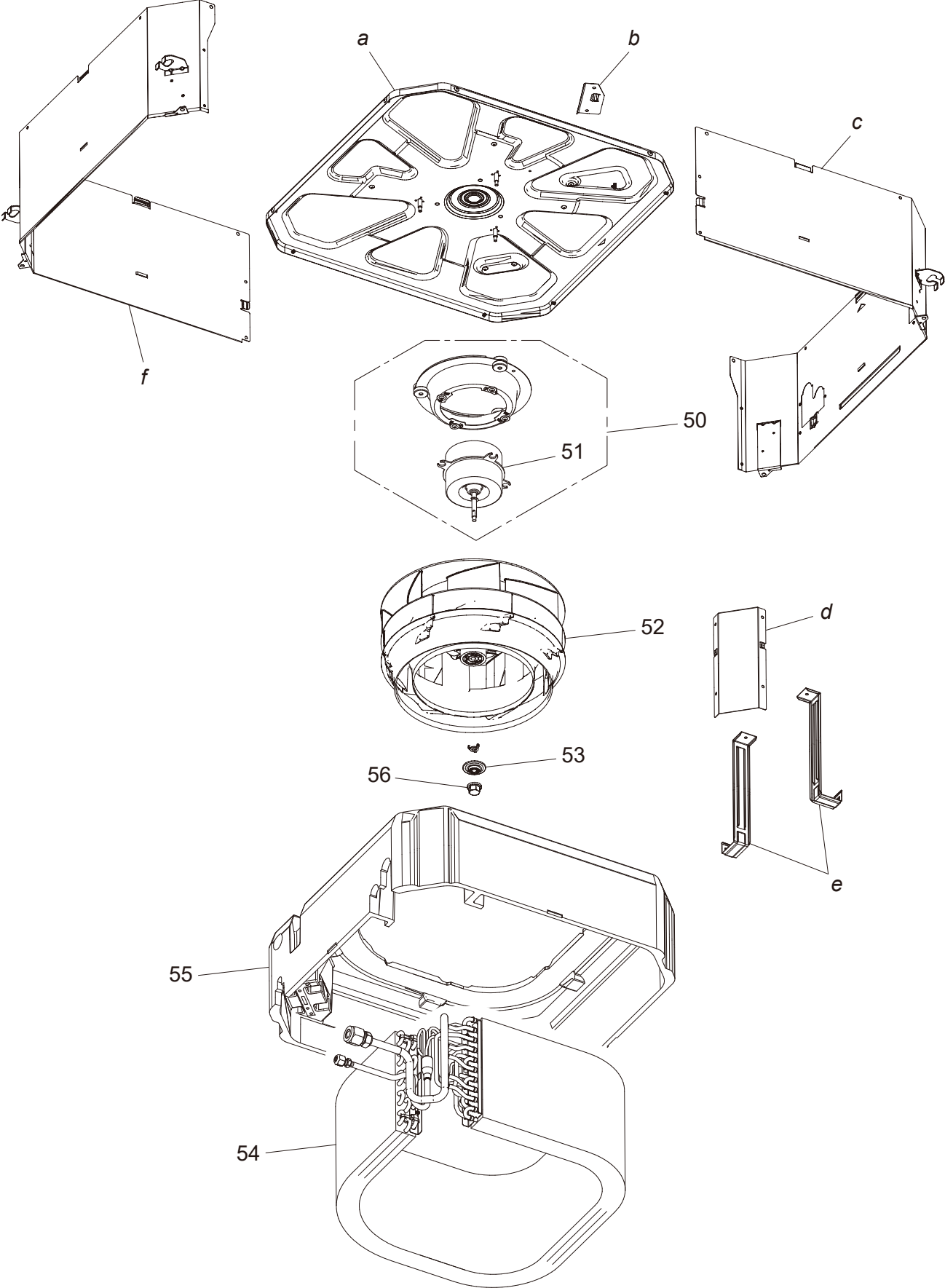
Models: ACUH07LUAS1, ACUH09LUAS1, ACUH12LUAS1, and ACUH18LUAS1

## Chassis and PC boards



Item no.	Part no.	Part name	Service part
1	9900826000	Thermistor (Room)	◆
2	9900349028	Thermistor (Pipe)	◆
3	9900896027	Terminal 5P	◆
4	9711870186	Main PCB (For 07 model)	◆
	9711870032	Main PCB (For 09 model)	◆
	9711870049	Main PCB (For 12 model)	◆
	9711870056	Main PCB (For 18 model)	◆
5	9710019005	Communication PCB	◆
6	0600063023	Holder	◆
7	9900568009	Terminal 3P	◆
8	9350720002	Conduit plate	◆
9	9710661020	Power supply PCB	◆
10	9379665032	Drain hose	◆
11	9379757010	Hose band	◆
12	9375516017	Wire cover	◆
13	9375515027	Pipe cover	◆
14	9375718015	Drain port sub assy	◆
15	9375717025	Drain pump sub assy	◆
16	9375721046	Float switch sub assy	◆
17	9375477011	Thermistor holder	◆
18	9375503017	Bell-mouth hood	◆
19	9377765024	Drain pan sub assy	◆
—	9707449013	Wire with connector (CN11 on Main PCB—Step motor)	◆
—	9711277008	Wire with connector (CN12 on Main PCB—Step motor)	◆
—	9710177088	Wire with connector (CN46 on Main PCB—Terminal [Ex. in])	◆
—	9711275004	Wire with connector (CN48 on Main PCB—CN1 on Indicator PCB of optional Cassette grille)	◆
—	9710171000	Wire with connector (CN54 on Main PCB—CN262 on Power supply PCB)	◆
—	9710172007	Wire with connector (CN55 on Main PCB—CN263 on Power supply PCB)	◆
—	9710343100	Wire with connector (CN300 on Main PCB—Terminal [RC])	◆
—	9710703027	Wire with connector (CN205 on Power supply PCB—Terminal 3P)	◆
—	9711278012	Wire with connector (CN520 on Power supply PCB—DC fan motor)	◆
a	—	Wire holder	—

# Fan and evaporator

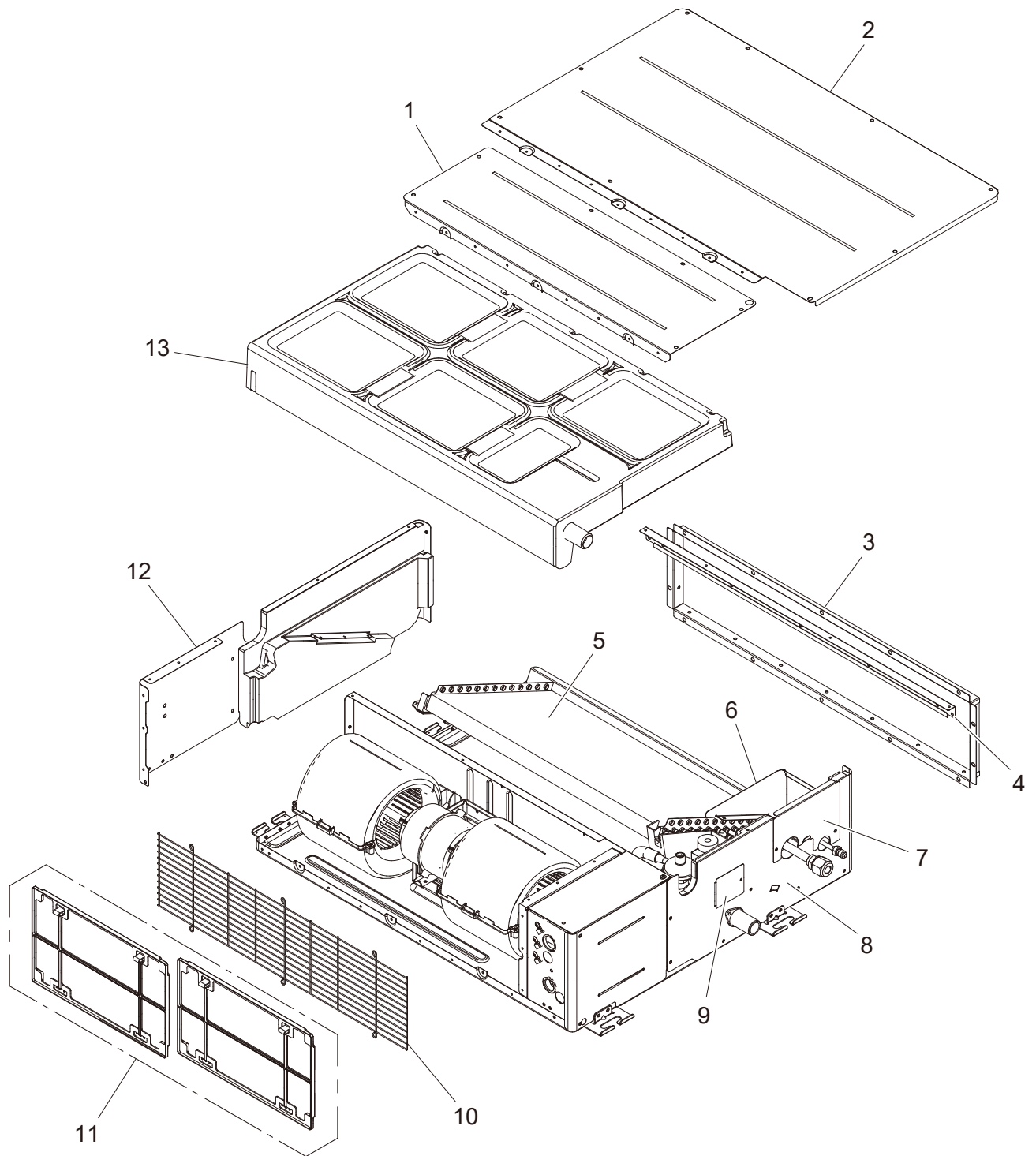


Item no.	Part no.	Part name	Service part
50	9375719029	Fan motor sub assy	◆
51	9602870004	DC fan motor	◆
52	9375480011	2-stage turbo fan assy	◆
53	9377811011	Washer cover	◆
54	9375720391	Evaporator sub assy (For 07 model)	◆
	9375720384	Evaporator sub assy (For 09 and 12 models)	◆
	9375720339	Evaporator sub assy (For 18 model)	◆
55	9377764065	Insulation box sub assy	◆
56	9377807014	Shaft cap	◆
<i>a</i>	—	Top plate assy	—
<i>b</i>	—	Motor wire holder	—
<i>c</i>	—	Cabinet A sub assy	—
<i>d</i>	—	Separate wall	—
<i>e</i>	—	Evaporator holder	—
<i>f</i>	—	Cabinet B sub assy	—

# Indoor unit parts list (Slim duct type)

Models: ADHU07LUAS1, ADUH09LUAS1 and ADUH12LUAS1

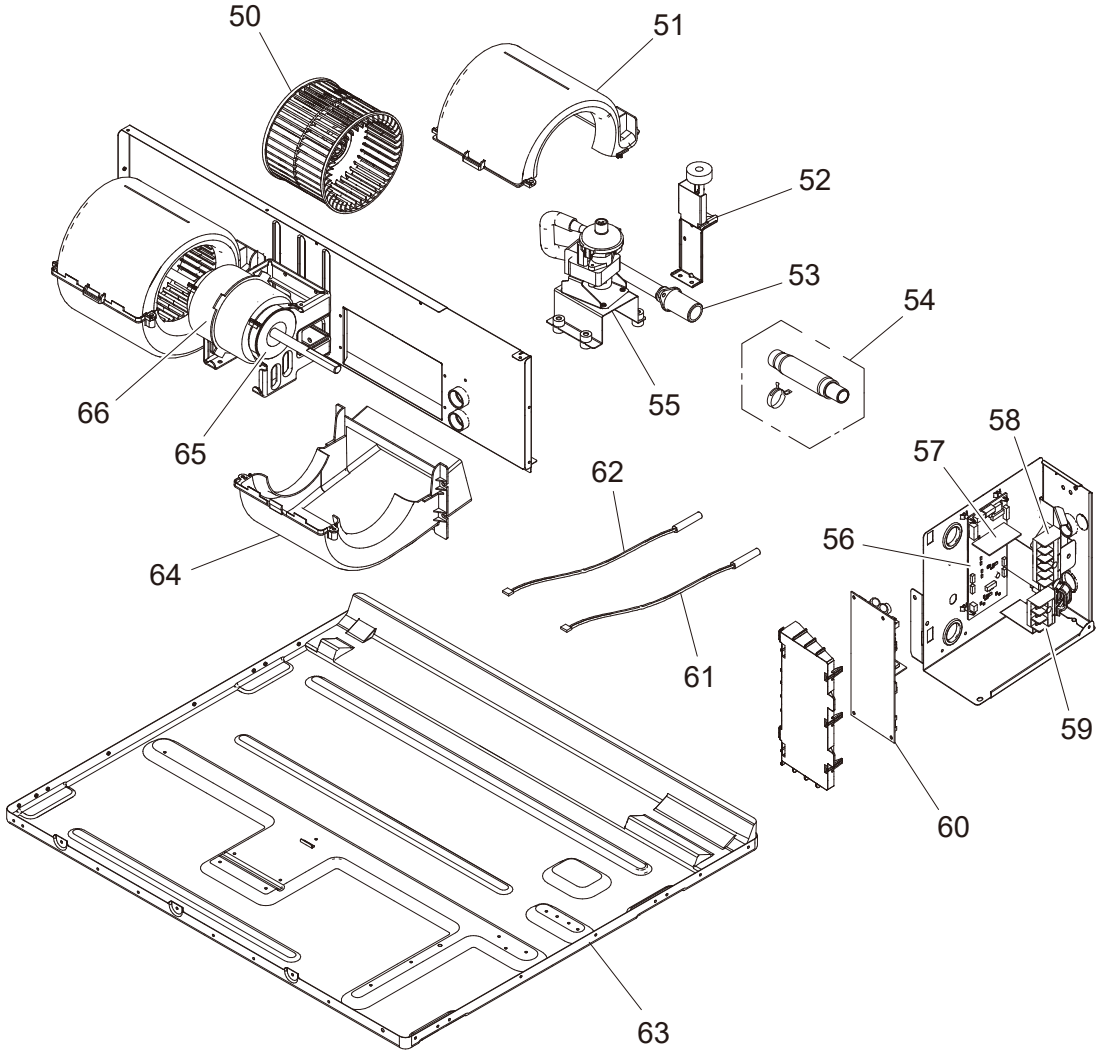
## Exterior parts and chassis



Item no.	Part no.	Part name	Service part
1	9380597001	Cabinet panel (2-fan)	◆
2	9380602019	Main panel (2-fan)	◆
3	9380042006	Outlet frame assy	◆
4	9380594000	Front panel (2-fan)	◆
5	9380682561	Evaporator total assy (For 07 model)	◆
	9380682585	Evaporator total assy (For 09 and 12 models)	◆
6	9379576017	Valve cover sub assy	◆
7	9379900003	Pipe panel sub assy	◆
8	9379907019	Side panel L sub assy	◆
9	9379915007	Window panel sub assy	◆
10	9380589006	Fan guard (2-fan)	◆
11	9379897006	Air filter sub assy	◆
12	9379906012	Side panel R sub assy	◆
13	9379901161	Drain pan sub assy	◆



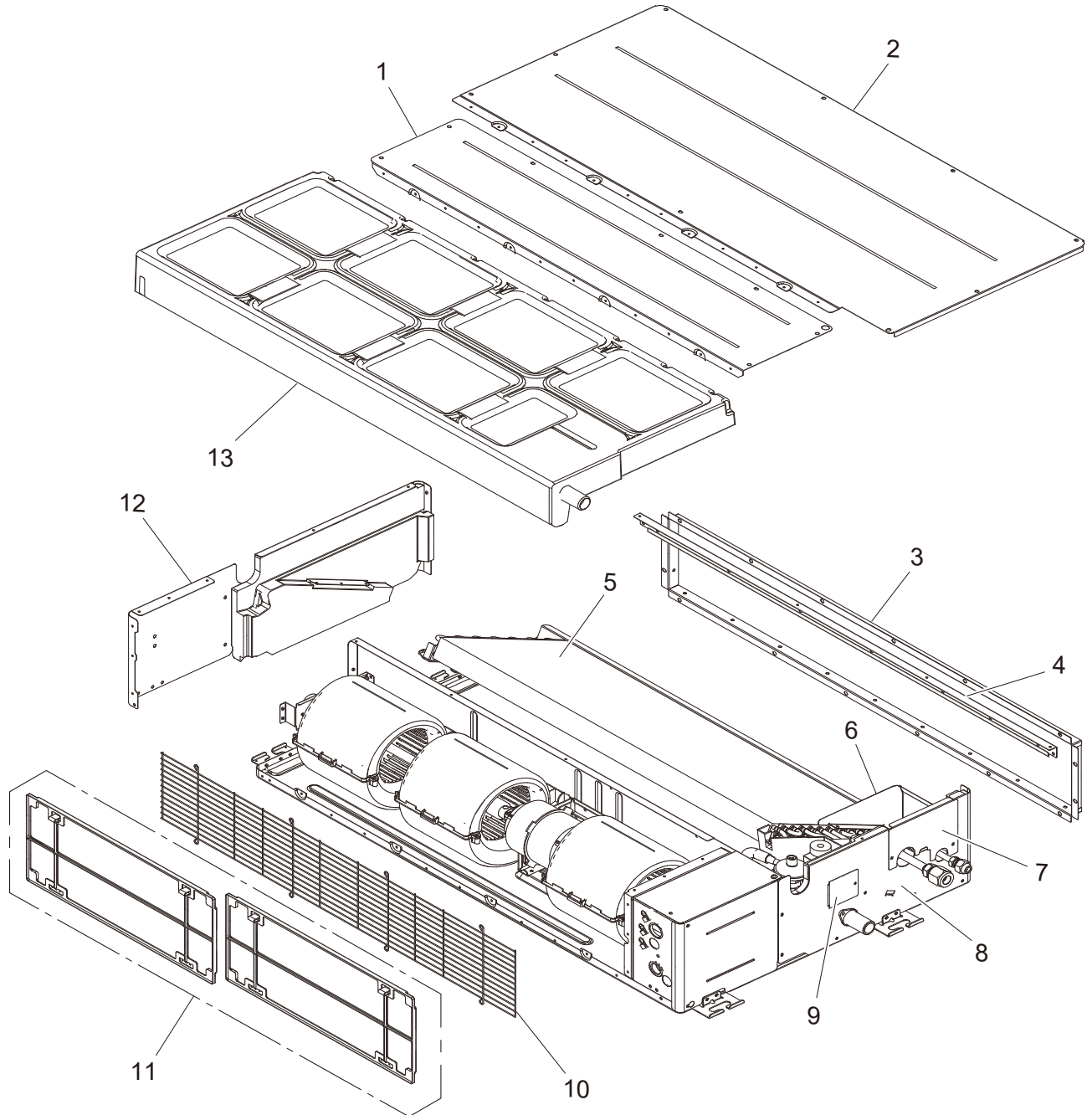
# Fan and PC boards



Item no.	Part no.	Part name	Service part
50	9379570015	Sirocco fan assy	◆
51	9379572019	Casing B	◆
52	9378593039	Float switch sub assy	◆
53	9379913003	Drain hose assy	◆
54	9378450141	Hose sub assy	◆
55	9379914062	Drain pump sub assy	◆
56	9711875099	Main PCB (07 model)	◆
	9711875068	Main PCB (09 model)	◆
	9711875075	Main PCB (12 model)	◆
57	9710019005	2-way remote PCB	◆
58	9900896027	Terminal 5P (Remote)	◆
59	9900568009	Terminal 3P	◆
60	9710661020	Power supply PCB	◆
61	9900653019	Thermistor (Room)	◆
62	9900349035	Thermistor (Pipe)	◆
63	9379908030	Top panel sub assy	◆
64	9379571012	Casing U	◆
65	9379644006	Vibration-proof rubber assy	◆
66	9379047166	Motor sub assy (For 07 model)	◆
	9379047159	Motor sub assy (For 09 and 12 models)	◆
—	9710177057	Wire with connector (CN46 on Main PCB—Terminal 5P [External input])	◆
—	9710171055	Wire with connector (CN260 on Main PCB—CN262 on Power supply PCB)	◆
—	9710206047	Wire with connector (CN261 on Main PCB—CN263 on Power supply PCB)	◆
—	9710343094	Wire with connector (CN300 on Main PCB—Terminal 5P [Remote])	◆
—	9710703010	Wire with connector (CN205 on Power supply PCB—Terminal 3P)	◆

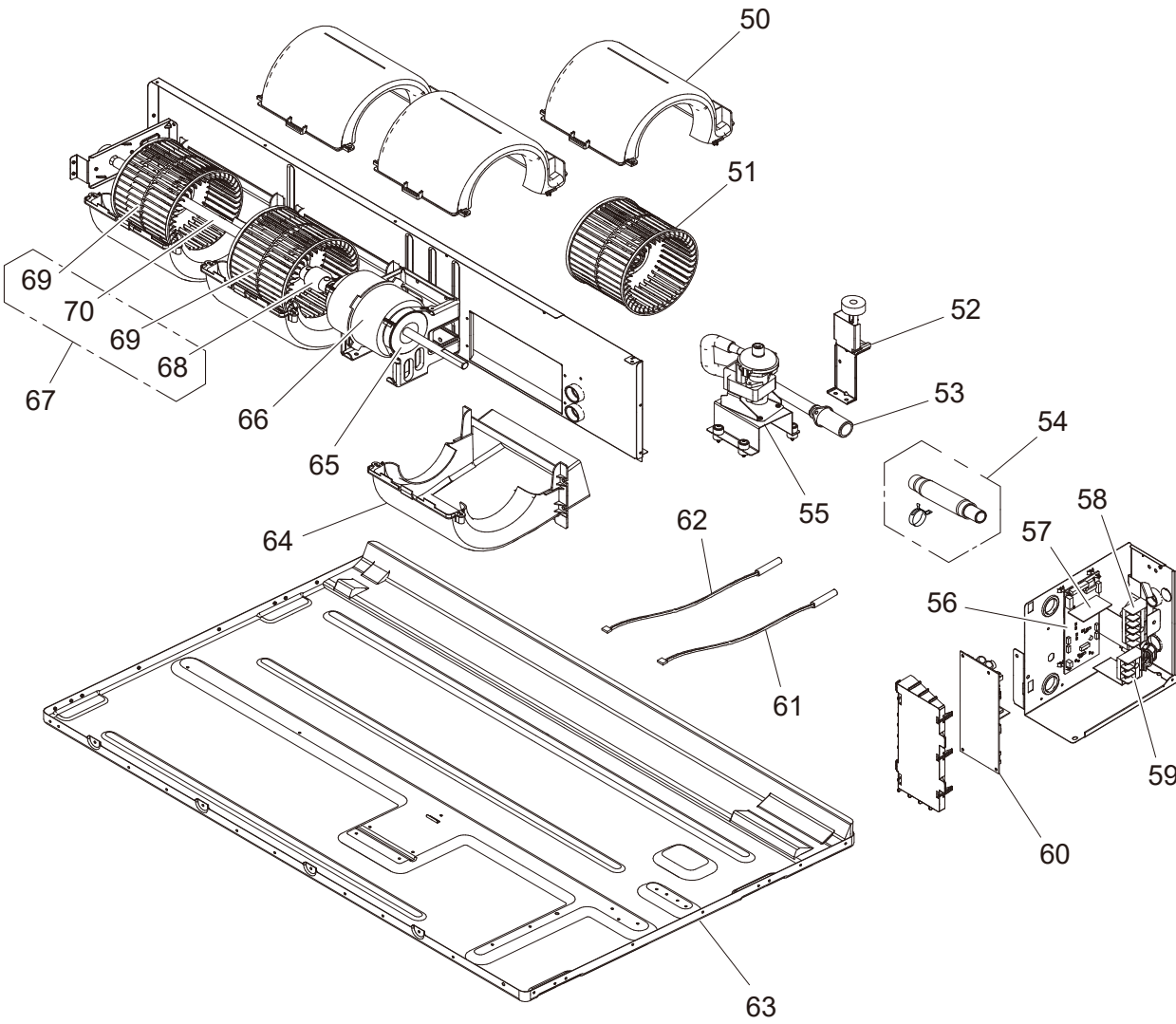
# Model: ADUH18LUAS1

## External parts and chassis



Item no.	Part no.	Part name	Service part
1	9380598008	Cabinet panel (3-fan)	◆
2	9380603016	Main panel (3-fan)	◆
3	9380042013	Outlet frame assy	◆
4	9380595007	Front panel (3-fan)	◆
5	9380682592	Evaporator total assy	◆
6	9379576017	Valve cover sub assy	◆
7	9379900003	Pipe panel sub assy	◆
8	9379907019	Side panel L sub assy	◆
9	9379915007	Window panel sub assy	◆
10	9380590002	Fan guard (3-fan)	◆
11	9379897013	Air filter sub assy	◆
12	9379906012	Side panel R sub assy	◆
13	9379901178	Drain pan sub assy	◆

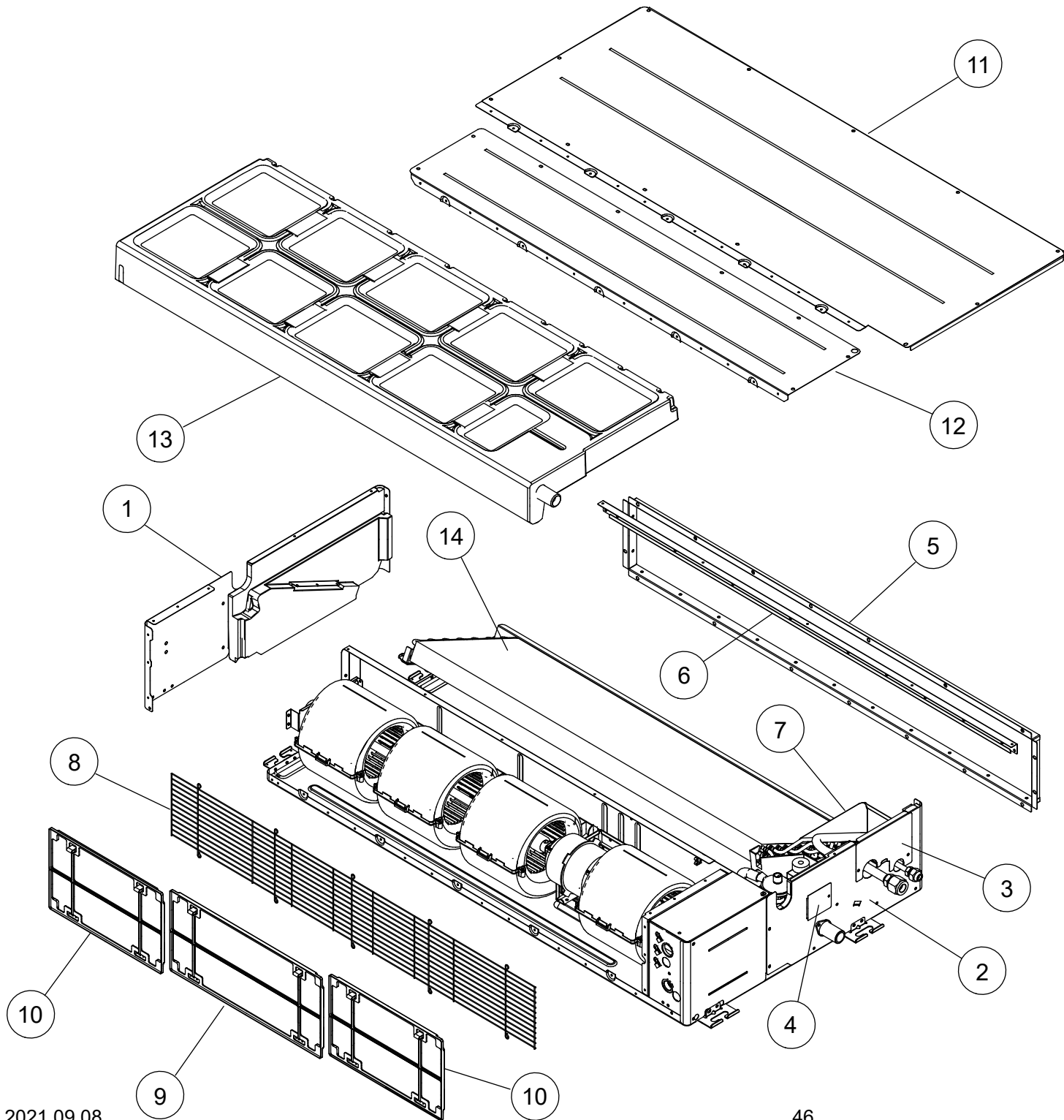
# Fan and PC boards



Item no.	Part no.	Part name	Service part
50	9379572019	Casing B	◆
51	9379570022	Sirocco fan assy	◆
52	9378593039	Float switch sub assy	◆
53	9379913003	Drain hose assy	◆
54	9378450141	Hose sub assy	◆
55	9379914062	Drain pump sub assy	◆
56	9711875082	Main PCB	◆
57	9710019005	2-way remote PCB	◆
58	9900896027	Terminal 5P (Remote)	◆
59	9900568009	Terminal 3P	◆
60	9710661020	Power supply PCB	◆
61	9900653019	Thermistor (Room)	◆
62	9900349035	Thermistor (Pipe)	◆
63	9379908047	Top panel sub assy	◆
64	9379571012	Casing U	◆
65	9379644006	Vibration-proof rubber assy	◆
66	9379047142	Motor sub assy	◆
67	9379971065	Sirocco fan sub assy	◆
68	9378038011	Joint assy	◆
69	9379570039	Sirocco fan assy	◆
70	9381052004	Shaft assy	◆
—	9710177057	Wire with connector (CN46 on Main PCB—Terminal 5P [External input])	◆
—	9710171055	Wire with connector (CN260 on Main PCB—CN262 on Power supply PCB)	◆
—	9710206047	Wire with connector (CN261 on Main PCB—CN263 on Power supply PCB)	◆
—	9710343094	Wire with connector (CN300 on Main PCB—Terminal 5P [Remote])	◆
—	9710703010	Wire with connector (CN205 on Power supply PCB—Terminal 3P)	◆

# INDOOR UNIT

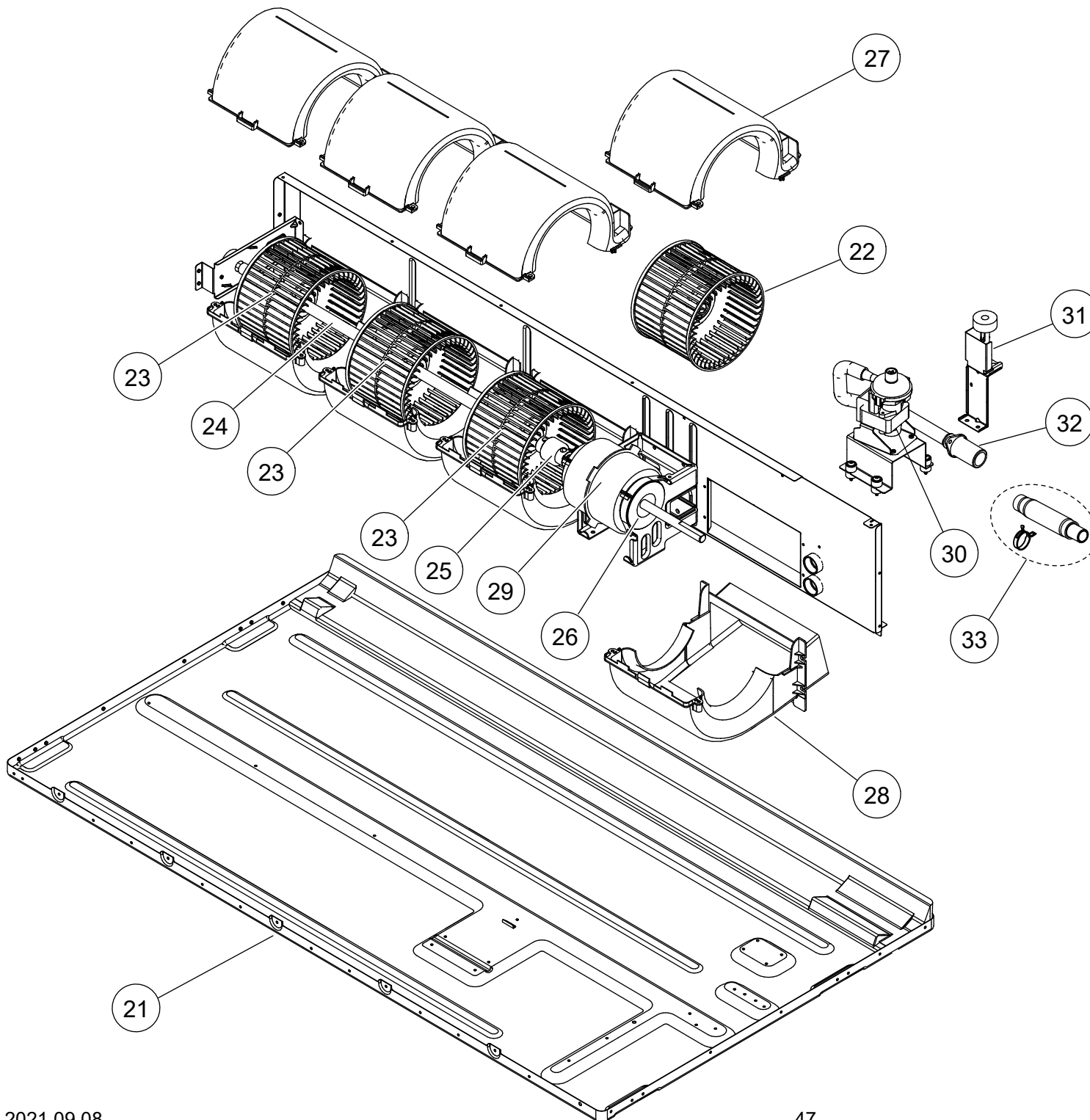
## ADUH24LUAS1



Ref	Description	Parts number
1	Side Panel R Sub Assy	9379906012
2	Side Panel L Sub Assy	9379907019
3	Pipe Panel Sub Assy	9379900003
4	Panel (Window) Sub Assy	9379915007
5	Outlet Frame Assy	9380042020
6	Front Panel (4 Fan)	9380596004
7	Valve Cover Sub Assy	9379576017
8	Fan Guard (4 Fan)	9380591009
9	Air Filter	9379575003
10	Air Filter	9379574006
11	Main Panel (4 Fan)	9380604013
12	Cabinet Panel (4 Fan)	9380599005
13	Drain Pan Sub Assy	9379901185
14	Evaporator Total Assy	9380682554

# INDOOR UNIT

ADUH24LUAS1

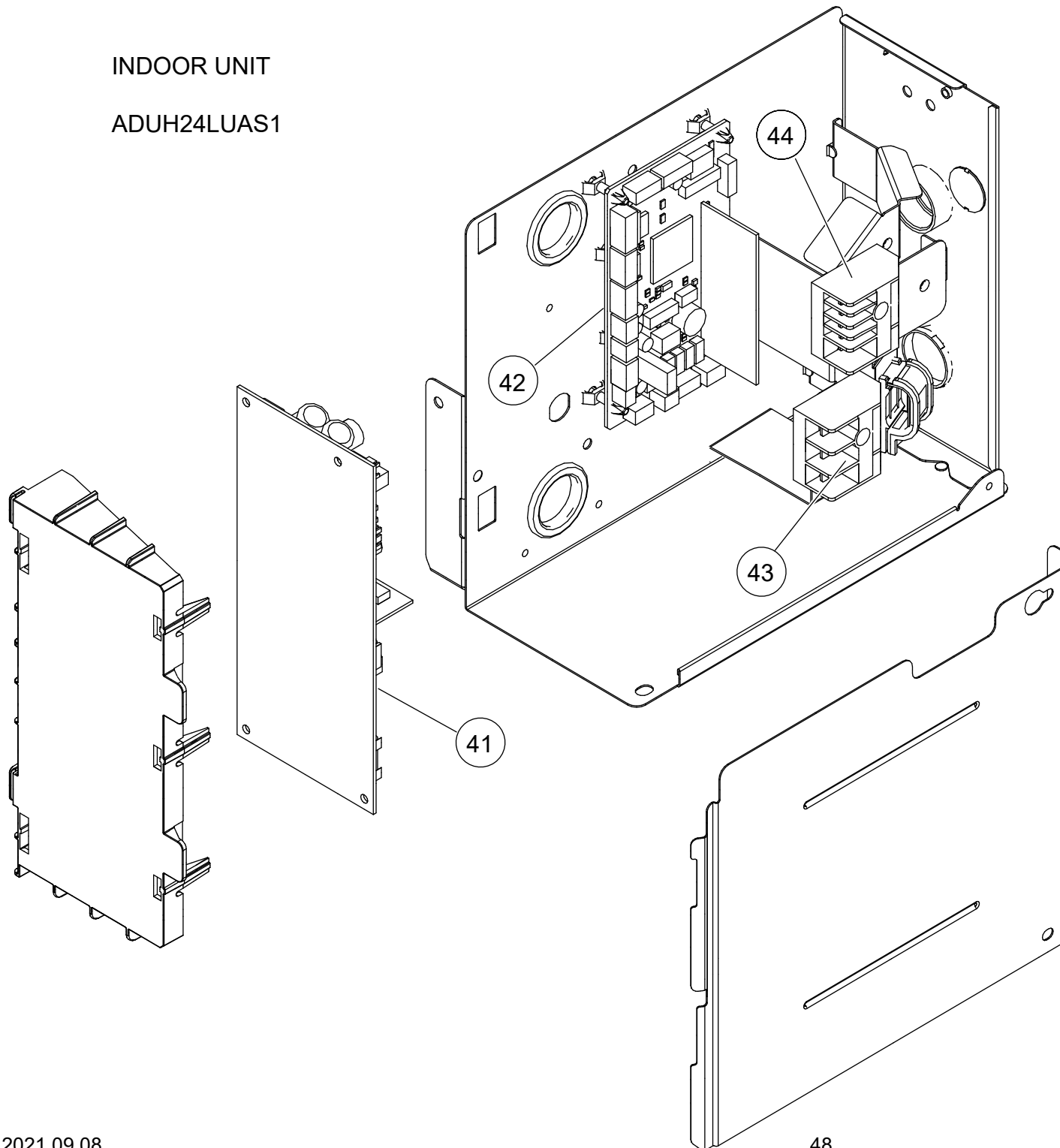


Ref.	Description	Parts number
21	Top Panel Sub Assy	9379908054
22	Sirroco Fan Assy	9379570022
--	Sirroco Fan Sub Assy	9379971072
23	Sirroco Fan Assy	9379570039
24	Shaft Assy	9381052011
25	Joint Assy	9378038011
26	Rubber (Vibration Proof)	9379644006
27	Casing B	9379572019
28	Casing U	9379571012
29	Motor Sub Assy	9379047142
30	Drain Pump Sub Assy	9379914062
31	Float Switch Sub Assy	9378593039
32	Drain Hose Assy	9379913003
33	Hose Sub Assy	9378450141



INDOOR UNIT

ADUH24LUAS1

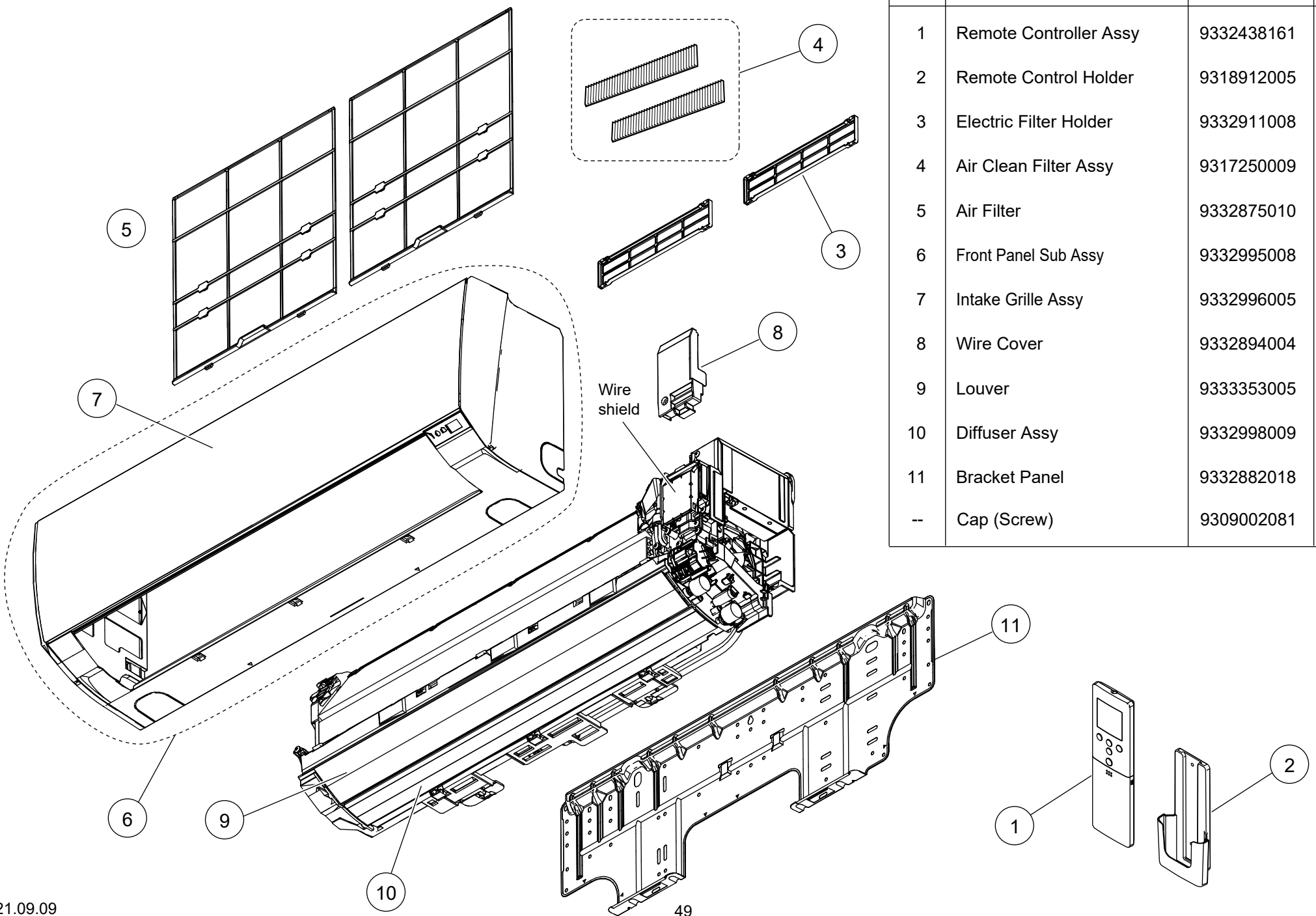


Ref	Description	Parts number
41	Power Supply PCB	9707398243
42	Main PCB	9711875105
--	Communication PCB	9710019005
43	Terminal 3P	9900568009
44	Terminal 5P (Wired Remote)	9900896027
--	Wire w/Connector (CN46-Terminal Ext. In)	9710177057
--	Wire w/Connector (CN300-Terminal Remote)	9710343094
--	Wire w/Connector (CN205-Terminal Power PCB)	9710703010
--	Wire w/Connector (CN262-CN260)	9710171055
--	Wire w/Connector (CN263-CN261)	9710206047

# Indoor unit parts list

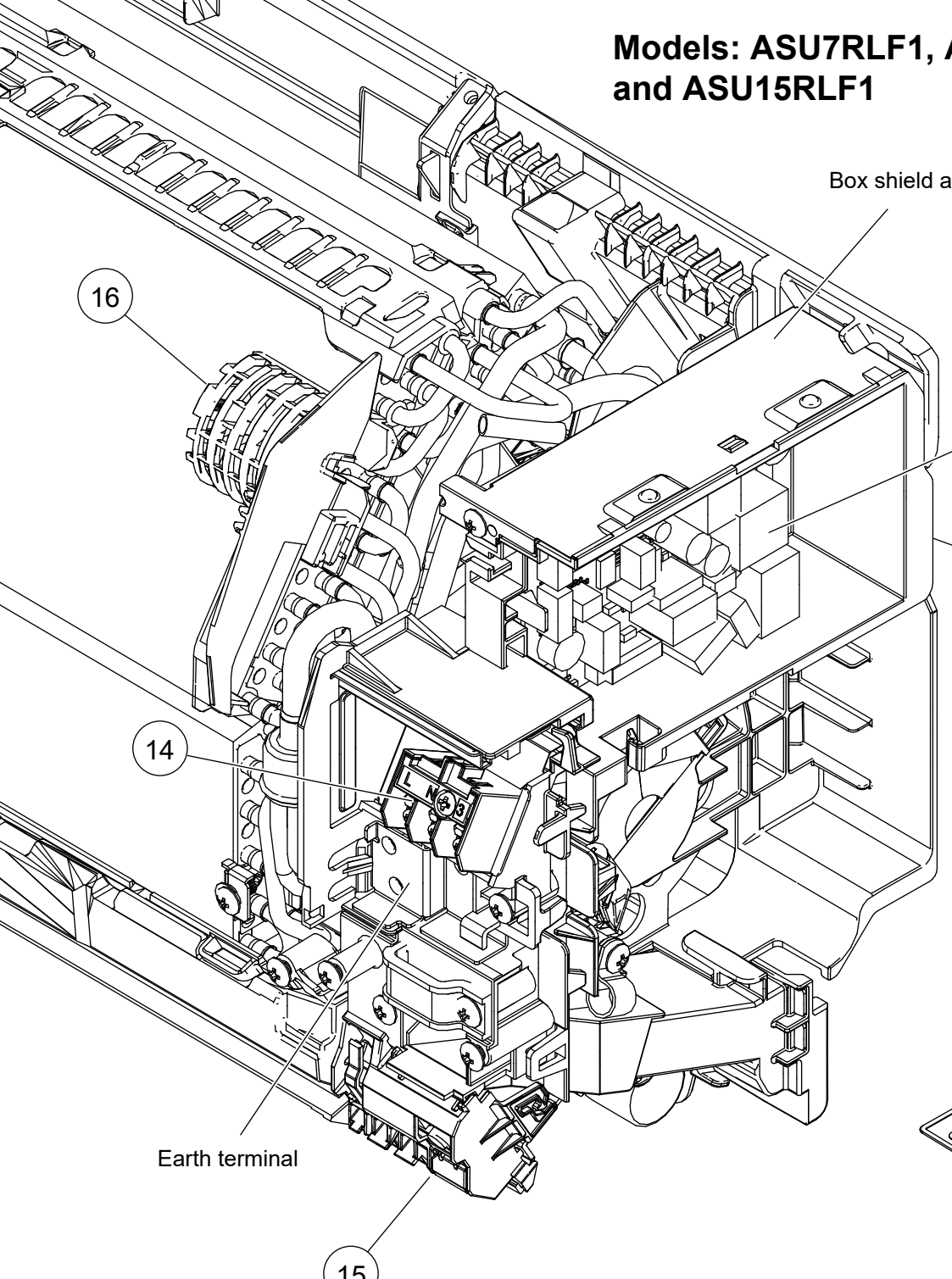
## Compact wall mounted type

Models: ASU7RLF1, ASU9RLF1, ASU12RLF1 and ASU15RLF1

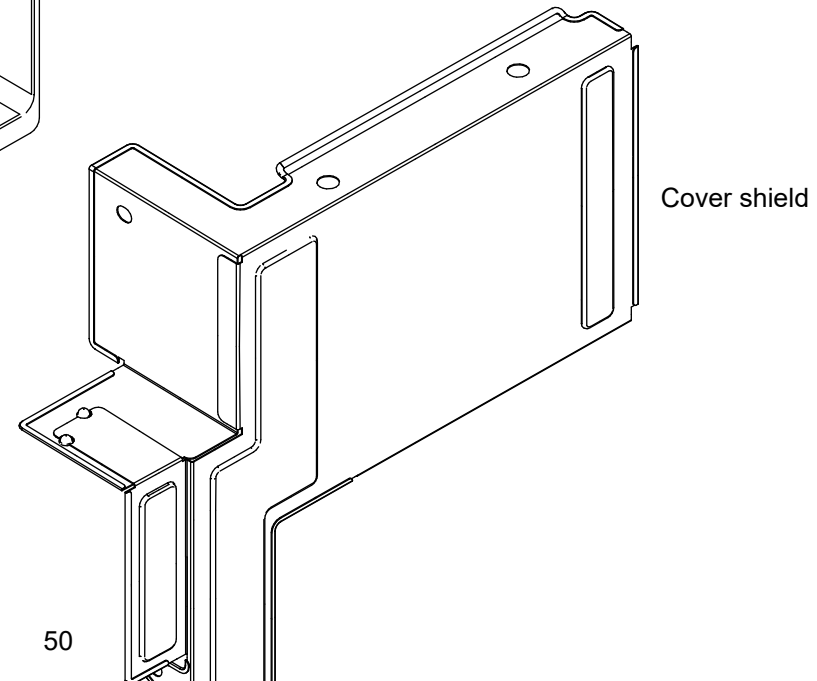


Ref.	Description	Part number
1	Remote Controller Assy	9332438161
2	Remote Control Holder	9318912005
3	Electric Filter Holder	9332911008
4	Air Clean Filter Assy	9317250009
5	Air Filter	9332875010
6	Front Panel Sub Assy	9332995008
7	Intake Grille Assy	9332996005
8	Wire Cover	9332894004
9	Louver	9333353005
10	Diffuser Assy	9332998009
11	Bracket Panel	9332882018
--	Cap (Screw)	9309002081

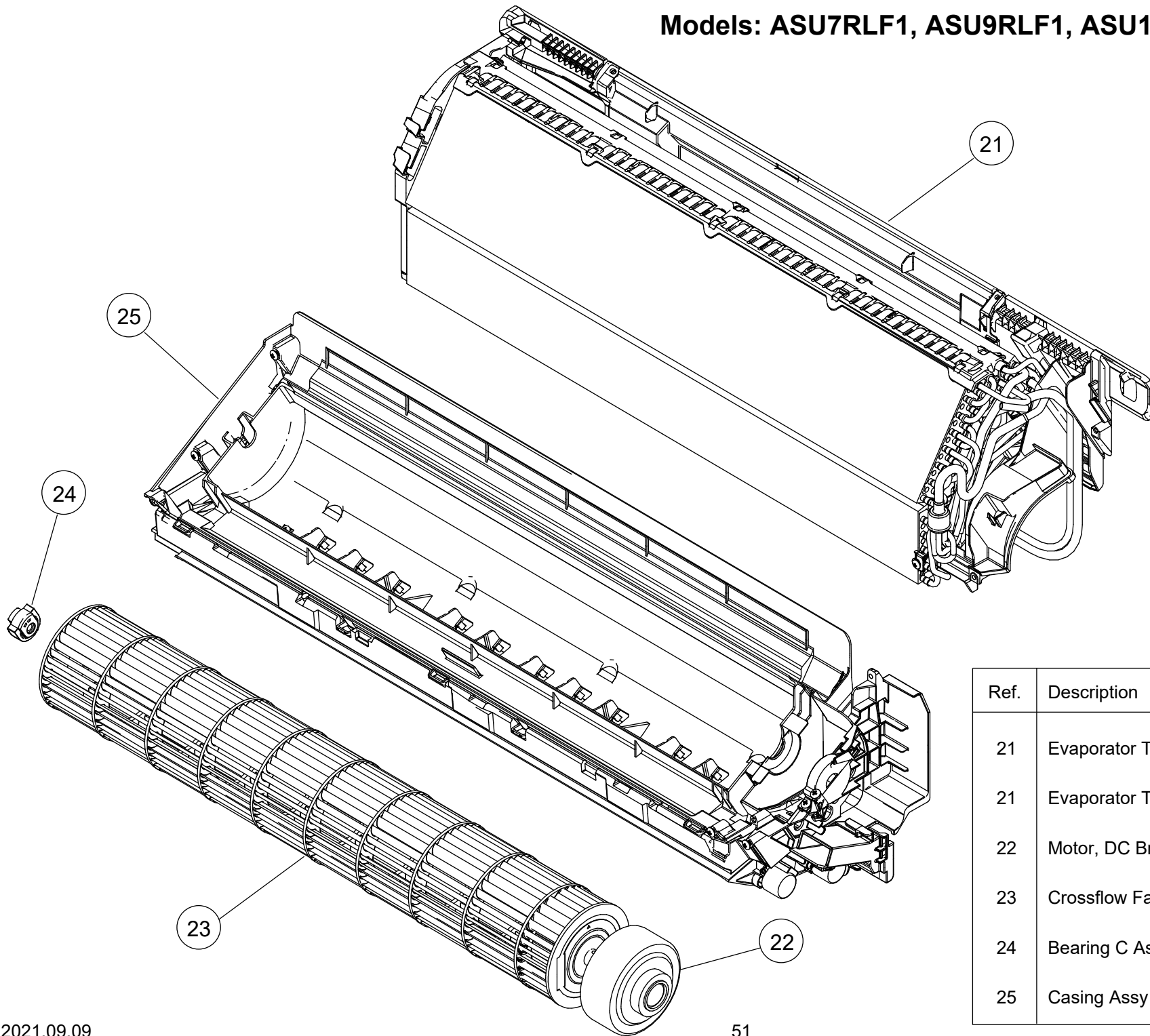
**Models: ASU7RLF1, ASU9RLF1, ASU12RLF1  
and ASU15RLF1**



Ref.	Description	Part number
12	Control Box	9332892024
13	Main PCB (ASU7RLF1)	9709427354
13	Main PCB (ASU9RLF1)	9709427330
13	Main PCB (ASU12RLF1)	9709427347
13	Main PCB (ASU15RLF1)	9709427446
14	Terminal	9900720001
15	Display Assy	9709430019
--	Indicator PCB	9332868005
16	Room Thermistor Holder	9332868005
--	Thermistor Assy	9900930011
--	Room Thermistor Holder	9332868005

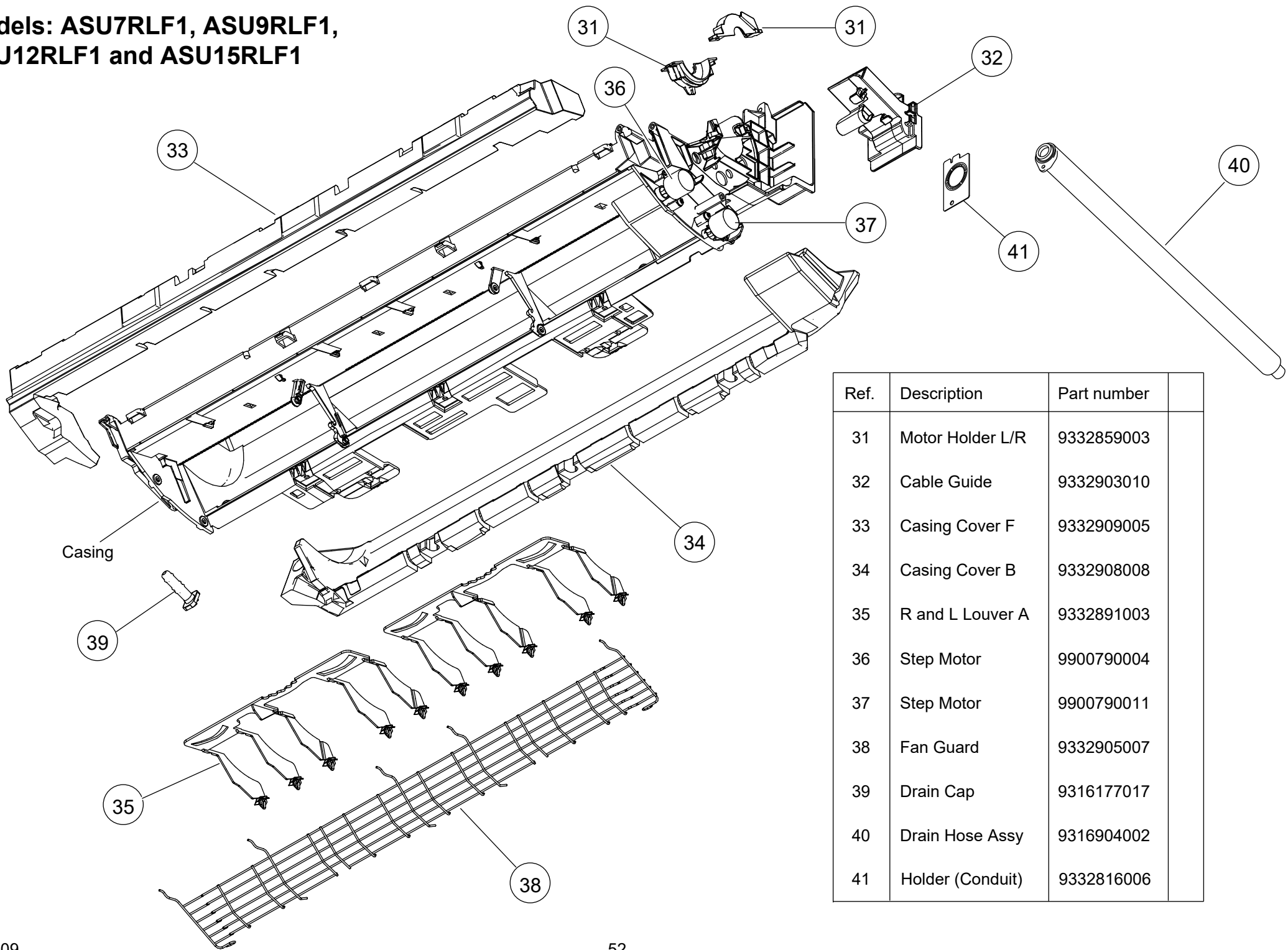


**Models: ASU7RLF1, ASU9RLF1, ASU12RLF1 and ASU15RLF1**



Ref.	Description	Part number
21	Evaporator Total Assy (7, 9, 12)	9332989502
21	Evaporator Total Assy (15RLF1)	9332989519
22	Motor, DC Brushless	9603269012
23	Crossflow Fan Assy	9316830004
24	Bearing C Assy	9306628024
25	Casing Assy	9333009056

**Models: ASU7RLF1, ASU9RLF1,  
ASU12RLF1 and ASU15RLF1**

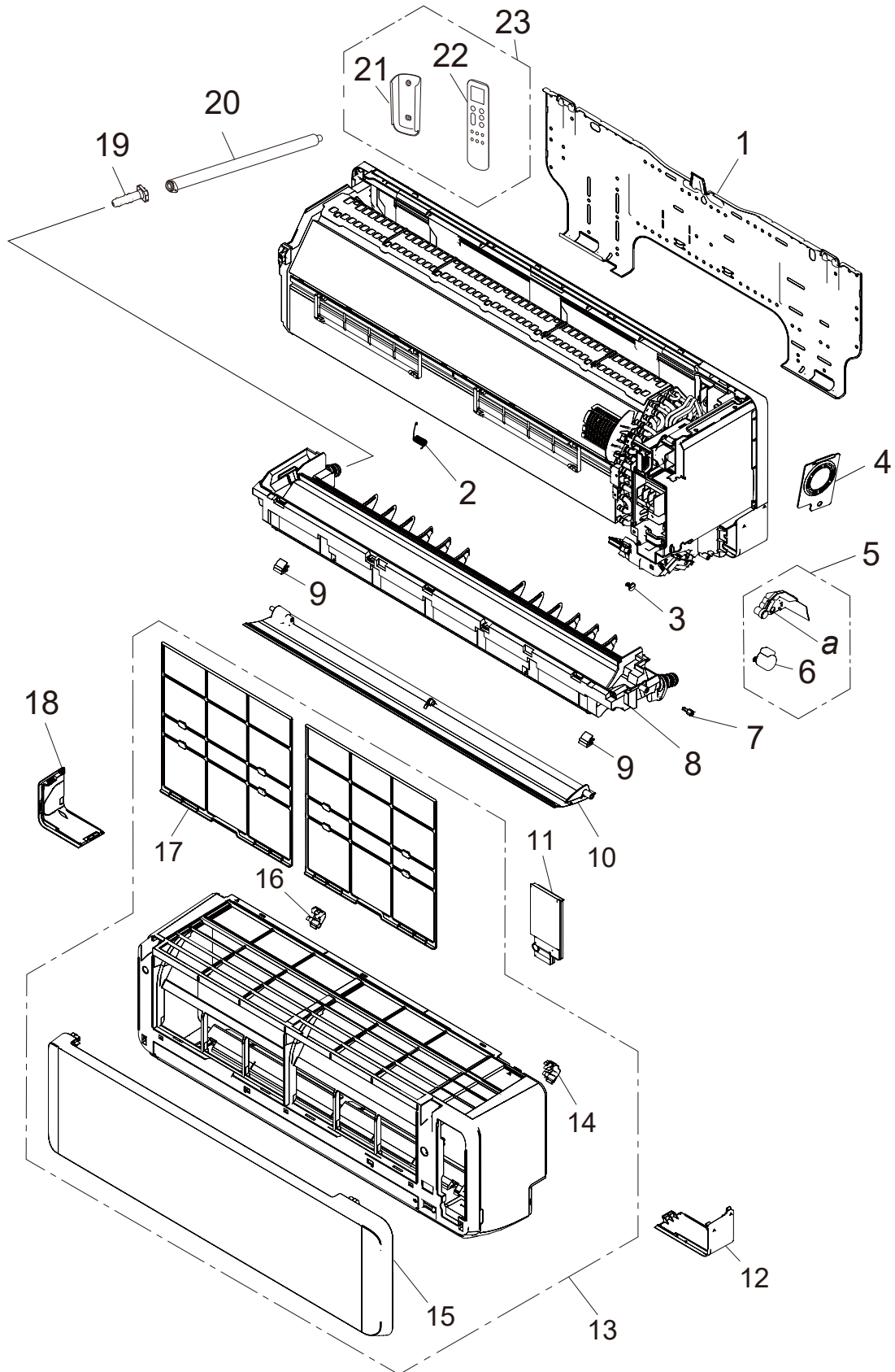


Ref.	Description	Part number
31	Motor Holder L/R	9332859003
32	Cable Guide	9332903010
33	Casing Cover F	9332909005
34	Casing Cover B	9332908008
35	R and L Louver A	9332891003
36	Step Motor	9900790004
37	Step Motor	9900790011
38	Fan Guard	9332905007
39	Drain Cap	9316177017
40	Drain Hose Assy	9316904002
41	Holder (Conduit)	9332816006

# Indoor unit parts list

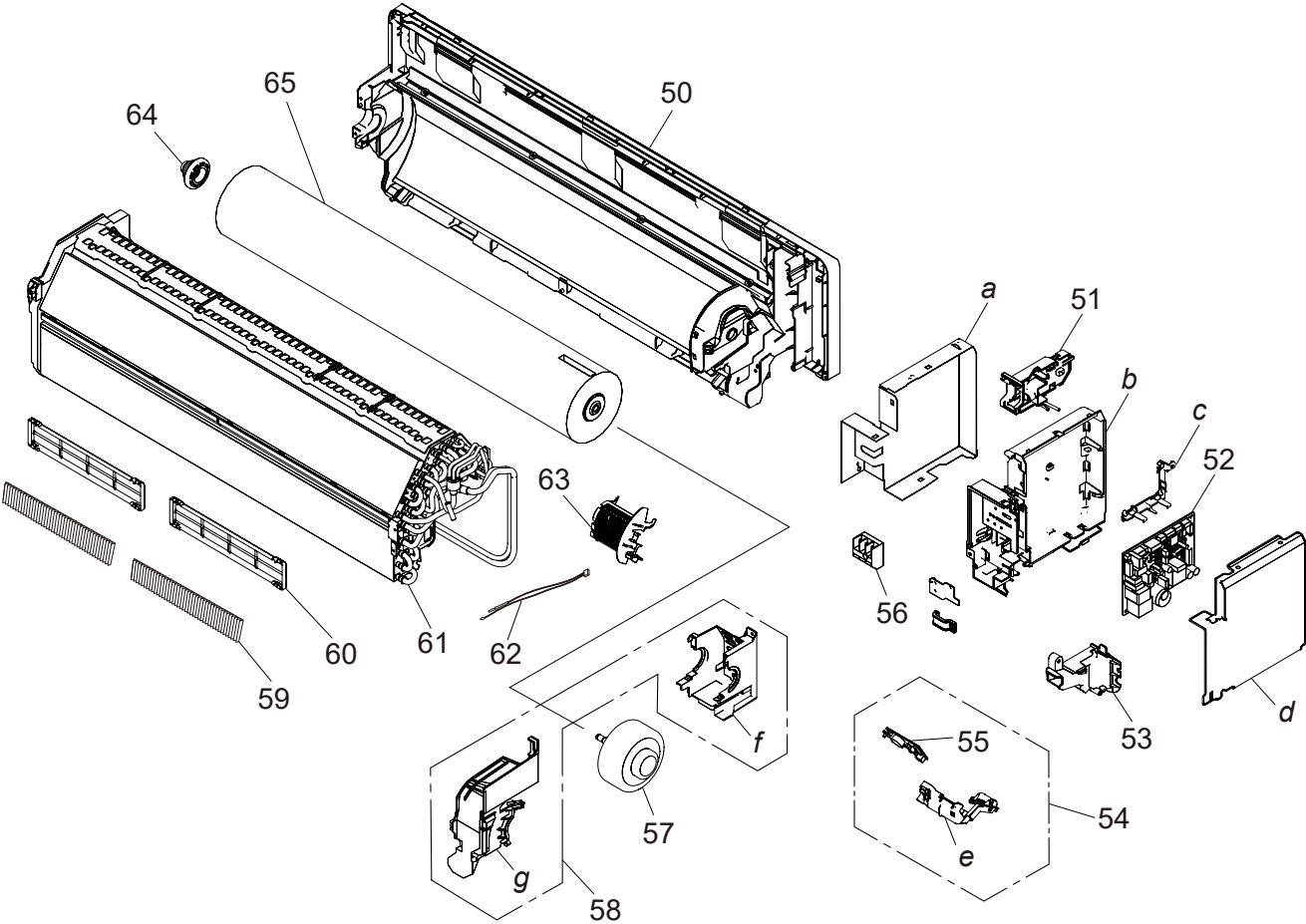
Models: ASUH07LPAS, ASUH09LPAS, ASUH12LPAS and ASUH15LPAS

## Exterior parts



Item no.	Part no.	Part name	Service part
1	9388142005	Bracket panel	◆
2	9387471007	Louver spring	◆
3	9333608006	Bush	◆
4	9313951047	Conduit holder	◆
5	9387714036	Step motor holder assy	◆
6	9901011047	Step motor	◆
7	9332861006	Shaft cover	◆
8	9387590166	Drain pan total assy	◆
9	9387476002	Screw cap	◆
10	9387479003	U/D louver assy	◆
11	9387597035	Wire cover assy	◆
12	9387478044	Under cover R	◆
13	9387596984	Front panel total assy	◆
14	9333704005	Grille clamper R	◆
15	9387756227	Intake grill total assy	◆
16	9333719009	Grille clamper L	◆
17	9387473001	Air filter	◆
18	9387477047	Under cover L	◆
19	9316177017	Drain cap	◆
20	9316904002	Drain hose assy	◆
21	9334098004	Remote controller holder	◆
22	9334126004	Remote controller	◆
23	9351596002	Remote controller total assy	◆
<i>a</i>	—	Step motor holder	—
<i>b</i>	—	Front panel	—

# Base, evaporator, and control



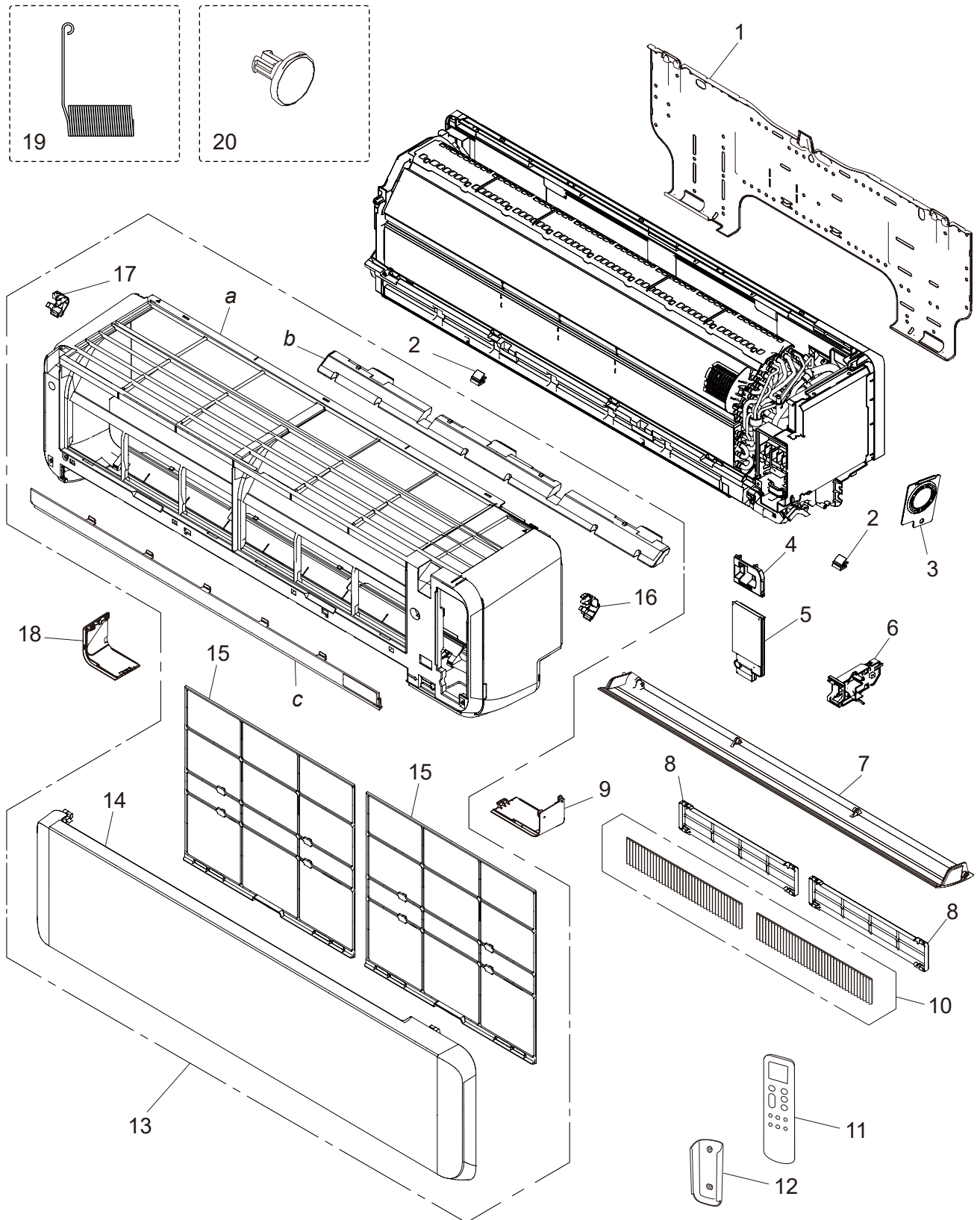


Item no.	Part no.	Part name	Service part
50	9387587128	Base assy	◆
51	9383765056	WLAN adapter holder assy	◆
52	9711732088	Main PCB (For 07 model)	◆
	9711732040	Main PCB (For 09 model)	◆
	9711732057	Main PCB (For 12 model)	◆
	9711732095	Main PCB (For 15 model)	◆
53	9387488043	Cable guide	◆
54	9711146076	Display assy	◆
55	9711147011	Indicator PCB	◆
56	9901013010	Terminal	◆
57	9603821012	Brushless motor	◆
58	9387589061	Motor case assy	◆
59	9317250009	Air clean filter assy	◆
60	9332911008	Electric filter holder	◆
61	9387593389	Evaporator total assy (For 07 and 09 models)	◆
	9387593396	Evaporator total assy (For 12 model)	◆
	9387593402	Evaporator total assy (For 15 model)	◆
62	9900627041	Thermistor assy	◆
63	9387467000	Room thermistor holder	◆
64	9333628004	Bearing D assy	◆
65	9387055047	Crossflow fan assy	◆
<i>a</i>	—	Box shield	—
<i>b</i>	—	Control box	—
<i>c</i>	—	PCB holder A	—
<i>d</i>	—	Control cover	—
<i>e</i>	—	Display case assy	—
<i>f</i>	—	Motor case	—
<i>g</i>	—	Motor cover	—

# Indoor unit parts list (Wall mounted type)

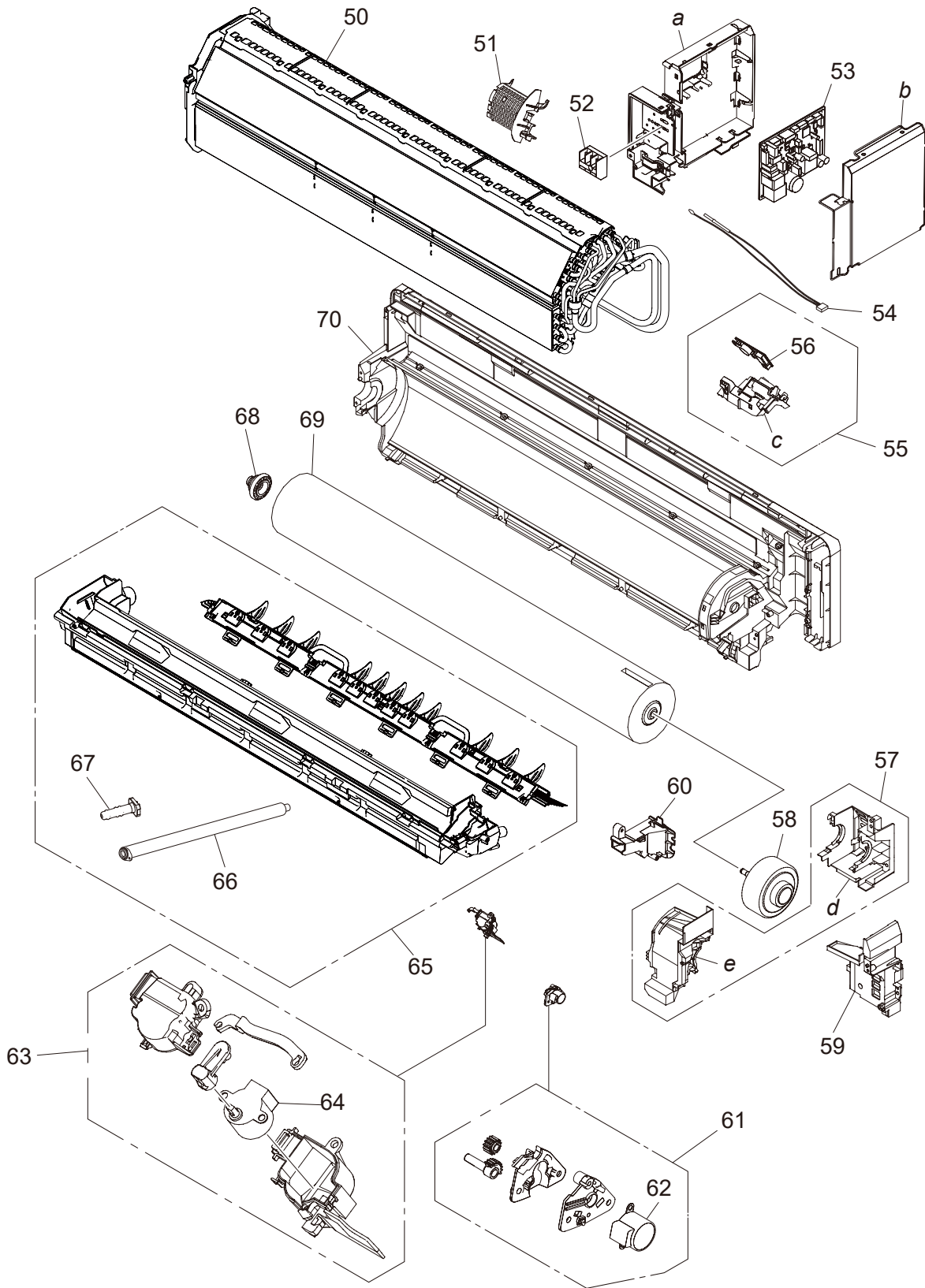
Models: ASUH18LPAS and ASUH24LPAS

## Exterior parts and Accessories



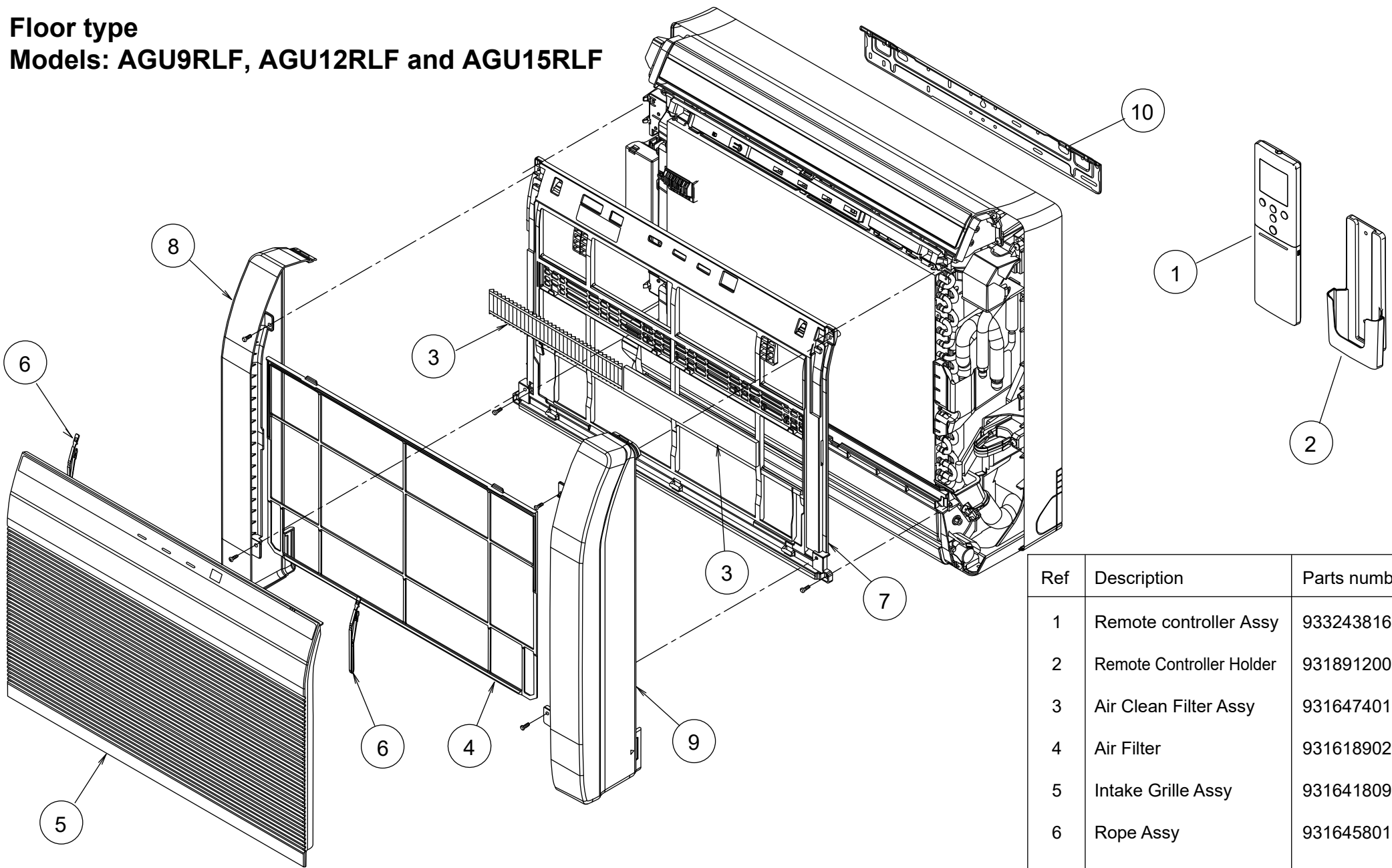
Item no.	Part no.	Part name	Service part
1	9388158013	Bracket panel	◆
2	9387476002	Screw cap	◆
3	9313951047	Conduit holder	◆
4	9383729027	Wire cover B	◆
5	9387597035	Wire cover assy	◆
6	9383765056	WLAN adapter holder assy	◆
7	9387479010	U/D louver assy	◆
8	9332911008	Electric filter holder	◆
9	9323341036	Under cover L	◆
10	9317250009	Air clean filter assy	◆
11	9334126011	Remote controller	◆
12	9334098004	Remote controller holder	◆
13	9384977038	Front panel total assy	◆
14	9387756210	Intake grille assy	◆
15	9323340008	Air filter	◆
16	9333719009	Grille clamper L	◆
17	9333704005	Grille clamper R	◆
18	9323342033	Under cover R	◆
19	9383730030	Louver spring	◆
20	9333608006	Bush	◆
—	9901010071	Wire with connector (CN75 on main PCB—WLAN adapter)	◆
<i>a</i>	—	Front panel	—
<i>b</i>	—	Panel cover	—
<i>c</i>	—	Front panel B	—

# Chassis



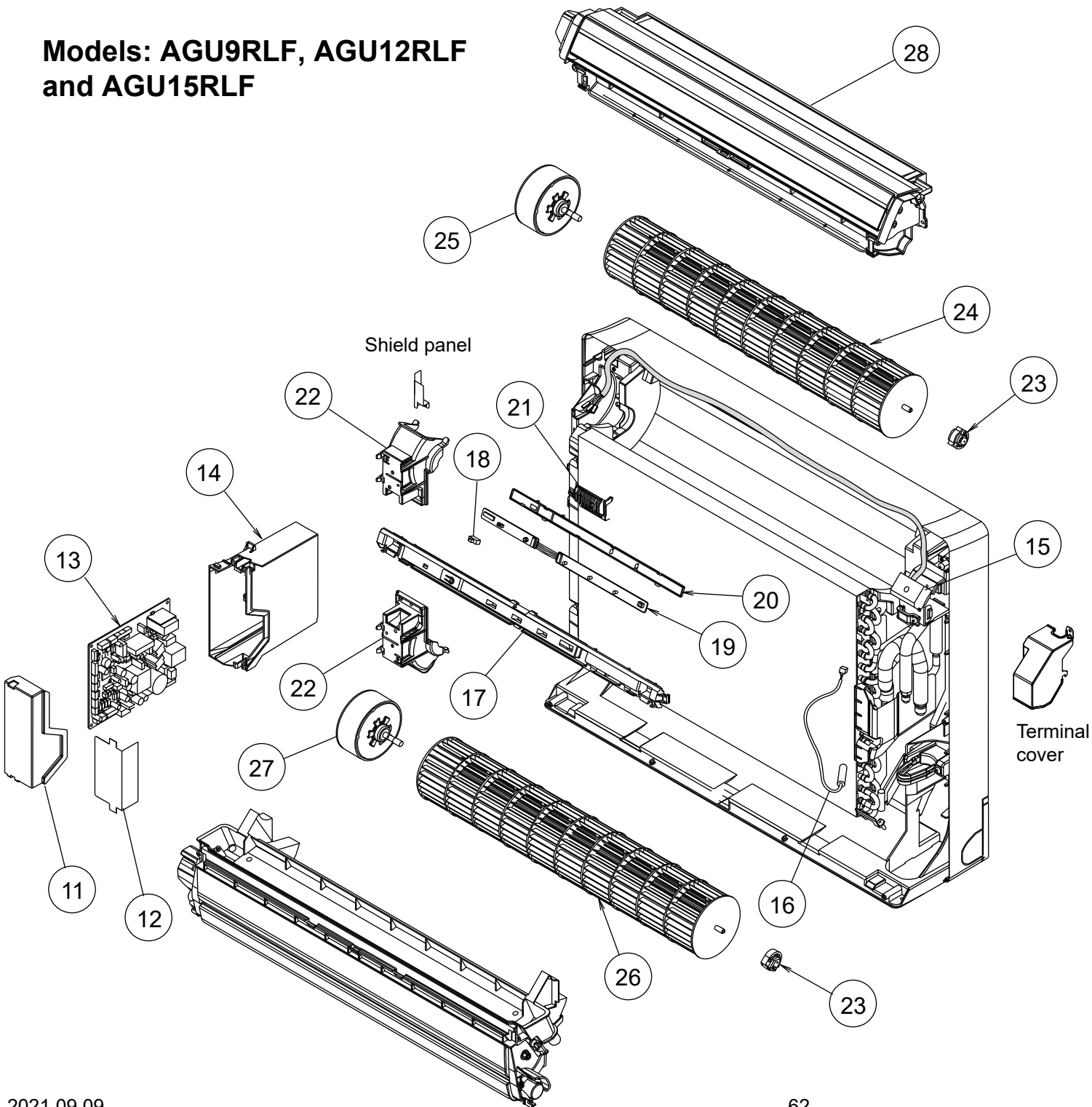
Item no.	Part no.	Part name	Service part
50	9383735165	Evaporator total assy (for 18 model)	◆
	9383735189	Evaporator total assy (for 24 model)	◆
51	9387467000	Room thermistor holder	◆
52	9901013010	Terminal	◆
53	9711732064	Main PCB (for 18 model)	◆
	9711732071	Main PCB (for 24 model)	◆
54	9900627041	Thermistor assy	◆
55	9711146052	Display assy	◆
56	9711147011	Indicator PCB	◆
57	9387589054	Motor case assy	◆
58	9603821005	Brushless motor	◆
59	9383565007	Pipe bracket	◆
60	9387488043	Cable guide	◆
61	9387714012	Gear case assy	◆
62	9901011016	Stepping motor	◆
63	9383728006	R and L louver SPM assy	◆
64	9901011023	Stepping motor	◆
65	9387590142	Drain pan total assy	◆
66	9316904002	Drain hose assy	◆
67	9316177017	Drain cap	◆
68	9333628004	Bearing D assy	◆
69	9387055054	Crossflow fan assy	◆
70	9387587173	Base assy	◆
<i>a</i>	—	Control box	—
<i>b</i>	—	Control cover	—
<i>c</i>	—	Display case	—
<i>d</i>	—	Motor case	—
<i>e</i>	—	Motor cover assy	—

**Floor type**  
**Models: AGU9RLF, AGU12RLF and AGU15RLF**



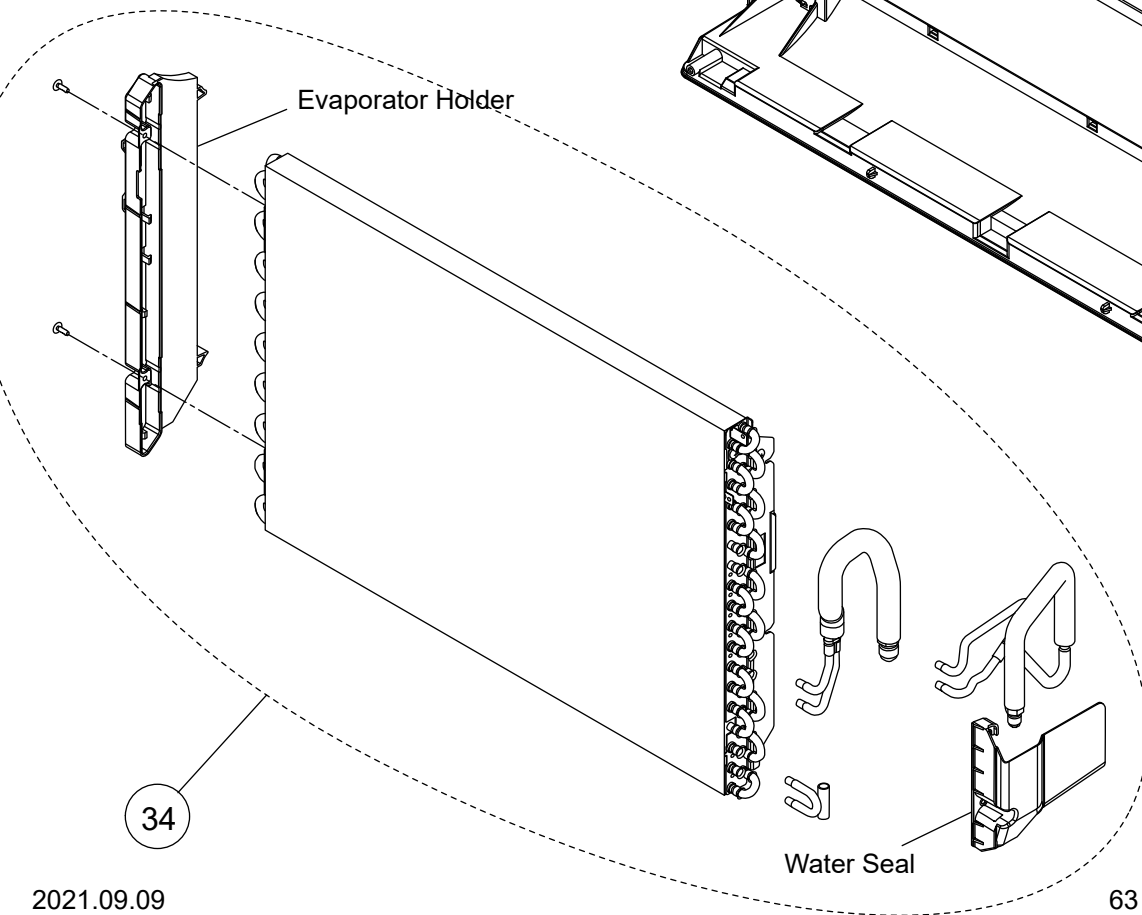
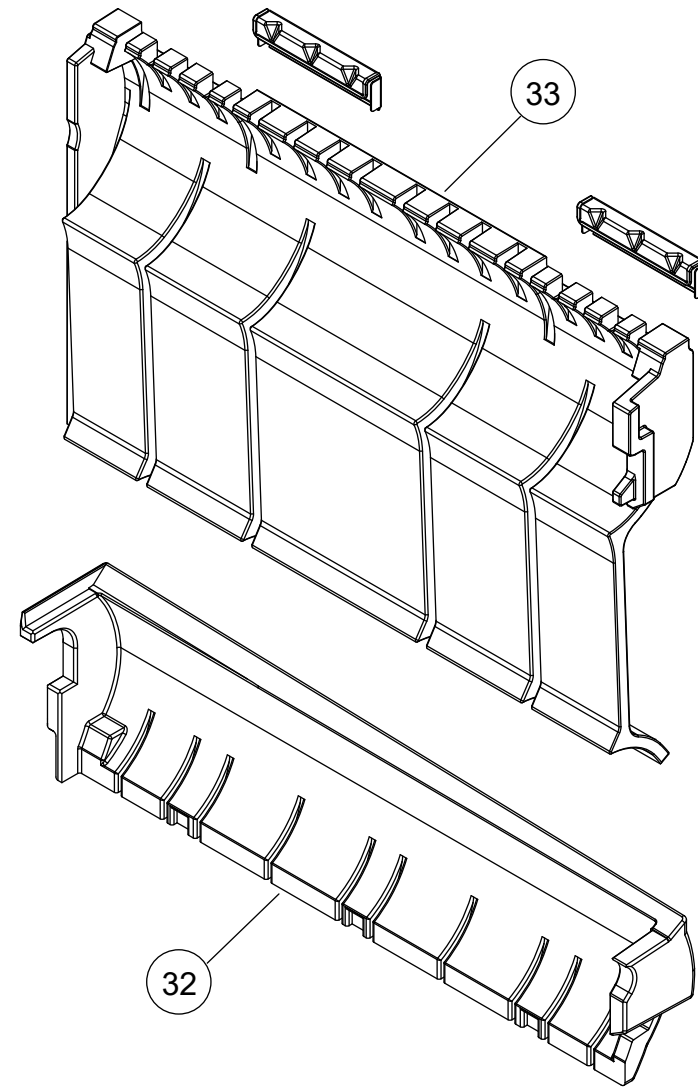
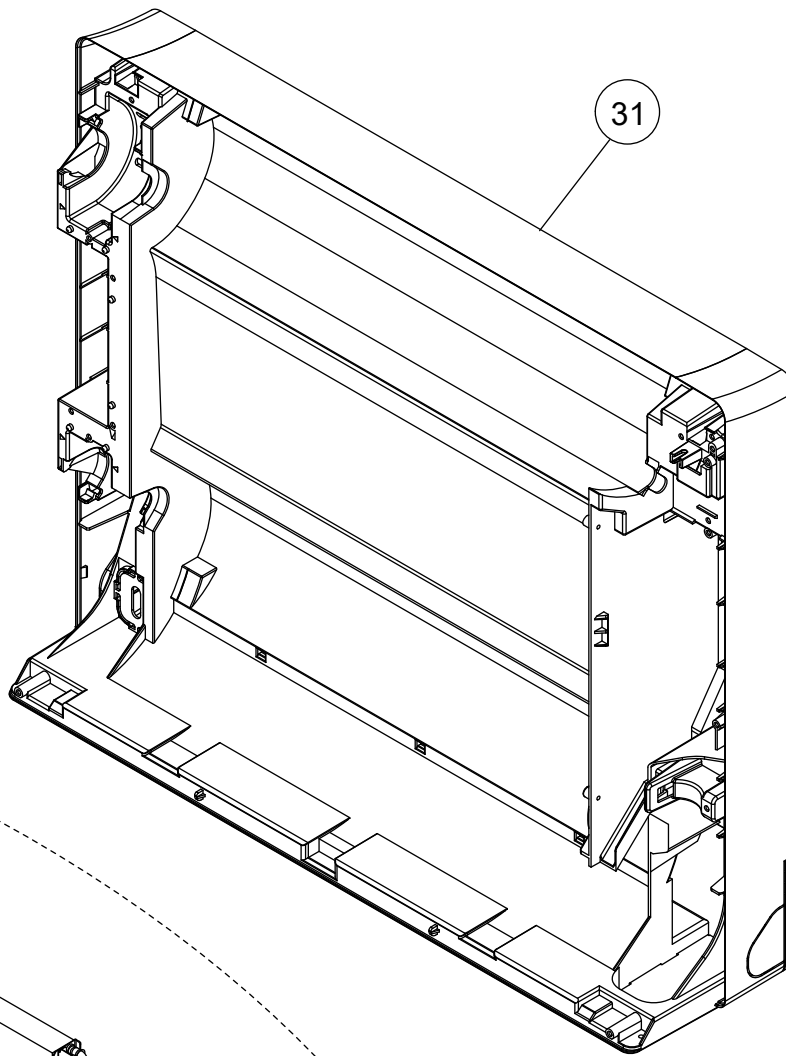
Ref	Description	Parts number
1	Remote controller Assy	9332438161
2	Remote Controller Holder	9318912005
3	Air Clean Filter Assy	9316474017
4	Air Filter	9316189027
5	Intake Grille Assy	9316418097
6	Rope Assy	9316458017
7	Front Panel Total Assy	9316415126
8	Front Panel L	9316187016
9	Front Panel R	9316186019
10	Bracket Panel	9316272019

**Models: AGU9RLF, AGU12RLF  
and AGU15RLF**



Ref	Description	Parts number
11	Control Cover	9316201033
12	Control Inner Cover	9316487017
13	Main PCB (AGU9RLF)	9708532165
13	Main PCB (AGU12RLF)	9708532172
13	Main PCB (AGU15RLF)	9708532189
14	Control Box	9316200036
15	Terminal	9900385026
16	Pipe Thermistor	9900991005
17	Display Case	9316194014
18	Slide Switch Cover	9316267015
--	Display Assy	9707570021
19	Indicator PCB	9707571042
20	Display Cover	9316191013
21	Thermistor Holder	9316192027
22	Motor Holder	9316195011
23	Bearing C Assy	9306628024
24	Crossflow Fan Assy	9312004034
25	Fan Motor, MFD-14TXAN	9602850013
26	Crossflow Fan B Assy	9316309012
27	Fan Motor, MFD-14SXAN	9602851010
28	Casing Assy	9316411012
--	Holder (Conduit)	9320432003

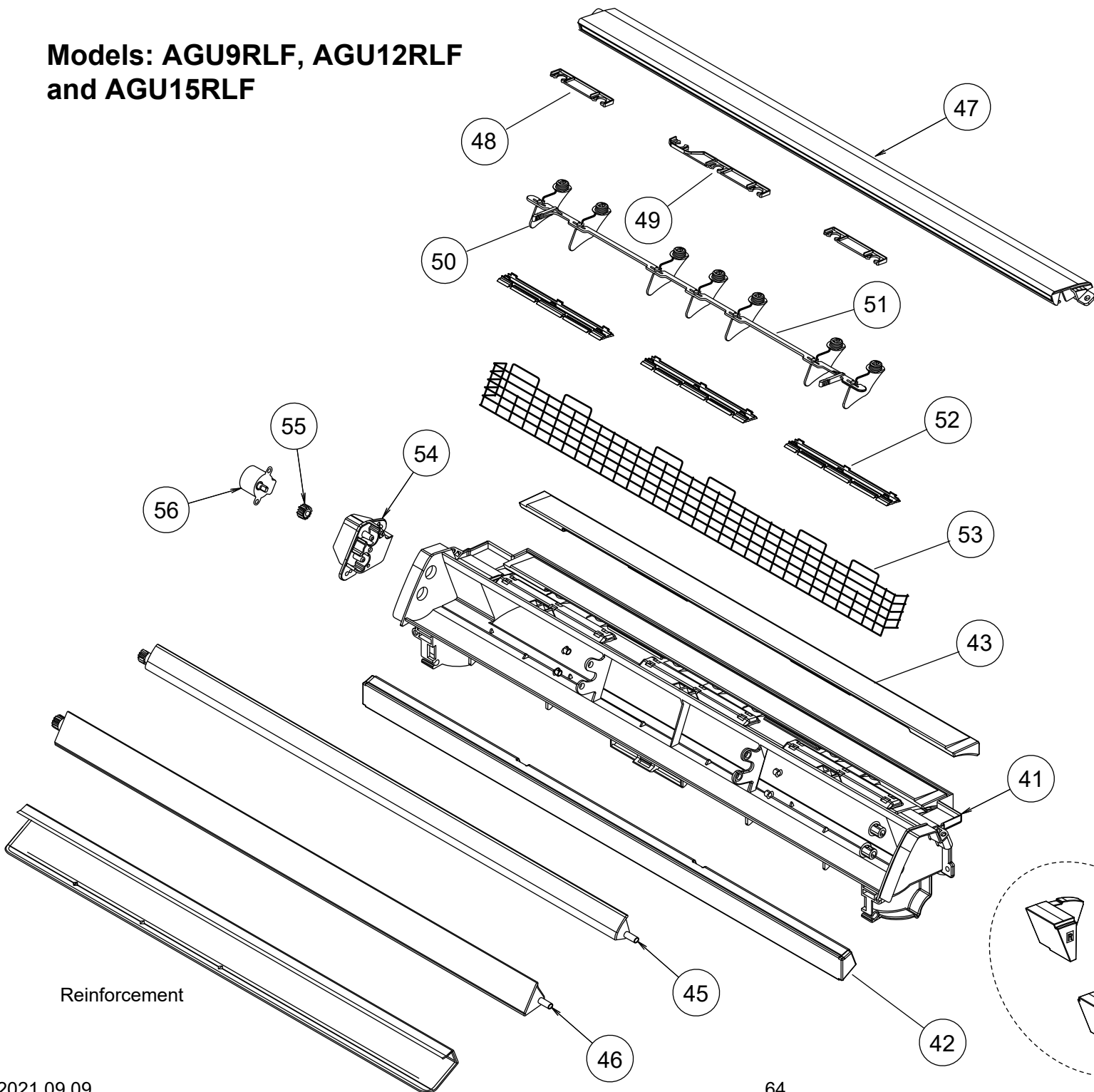
Ref	Description	Parts number
31	Base	9316193024
32	Base Cover A	9316197015
33	Base Cover B	9316373013
34	Evaporator Total Assy (9, 12)	9316091443
34	Evaporator Total Assy (15)	9316091047



**Models: AGU9RLF, AGU12RLF and AGU15RLF**

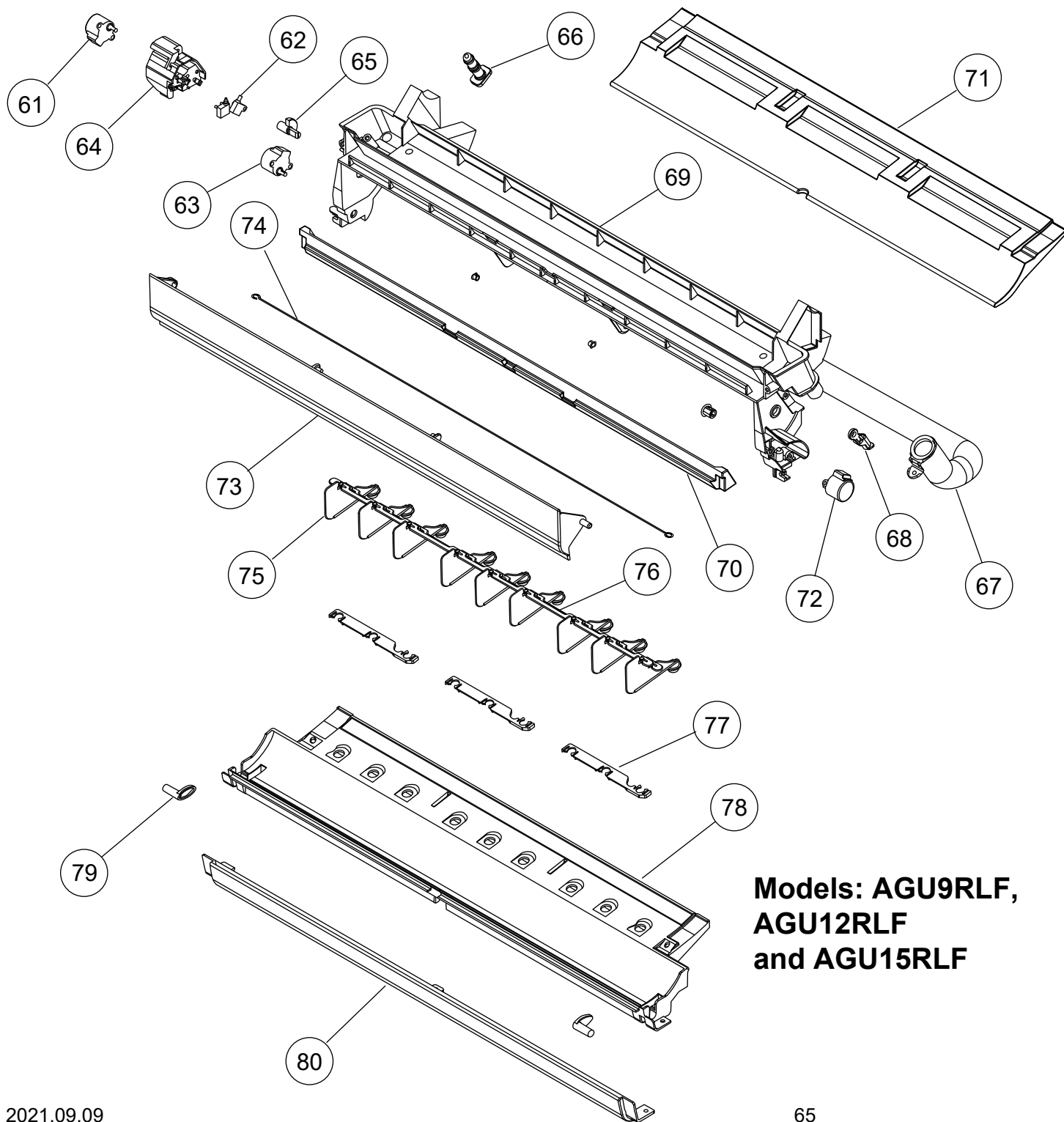


**Models: AGU9RLF, AGU12RLF  
and AGU15RLF**



Ref	Description	Parts number
41	Casing Assy (Includes 42-55)	9316411012
42	Casing Cover F	9316308015
43	Casing Cover B	9316273016
44	Casing Cover LR	9316310018
45	Louver U (upper)	9316205017
46	Louver Z (lower)	9316206014
47	Top Cover	9316207011
48	Spacer C	9315281012
49	Spacer D	9315282019
50	R and L Louver U	9316208018
51	Joint U	9316209015
52	Guard Holder	9316210011
53	Fan Guard	9316211018
54	Gear Case	9316213012
55	Gear A	9309994003
56	Step Motor (up / down)	9900384043

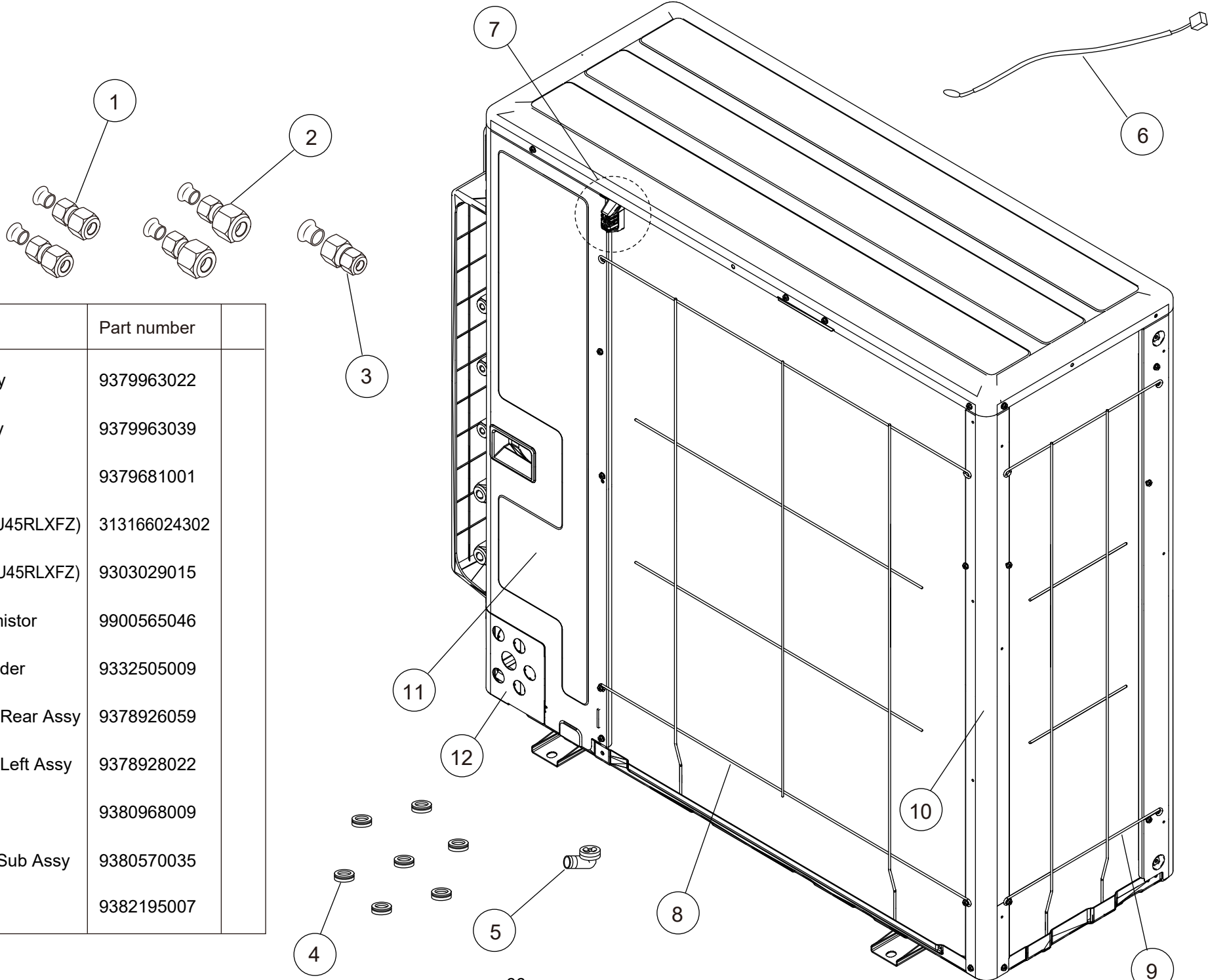
Reinforcement



Ref	Description	Parts number
61	Motor Step (Damper)	9900384050
62	Micro Switch (Limit Switch)	9900424015
63	Motor Step (Damper Lock Left)	9900384067
--	Drain Pan Assy (Includes number 64-71,73-80)	9316214026
64	Limit Switch Cover	9316217010
65	Key Top	9316218017
66	Drain Cap	9316177017
67	Drain Hose Assy	9314147029
68	Drain Holder	9316384019
69	Drain Pan U	9316214019
70	Drain Cover F	9316274013
71	Drain Cover B	9316386013
72	Step Motor (Damper Lock Right)	9900384074
73	Damper	9316216013
74	Fan Guard Z	9316918009
75	R and L Louver Z	9316334014
76	Joint Z	9316335011
77	Spacer D	9315282019
78	Drain Pan Z	9316215016
79	Stopper	9316219014
80	Under Cover	9316374010

# Parts list

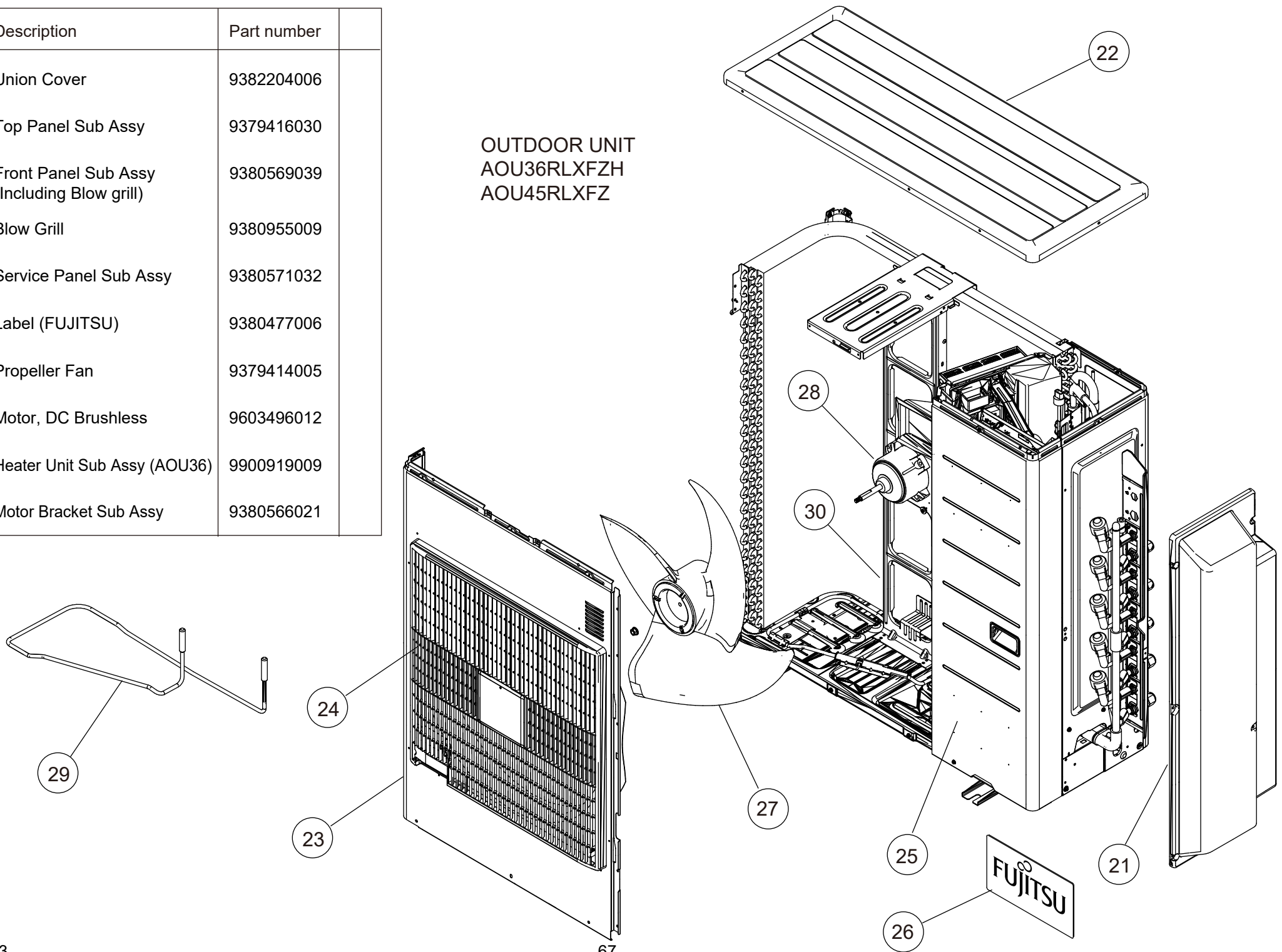
OUTDOOR UNIT  
 AOU36RLXFZH  
 AOU45RLXFZ



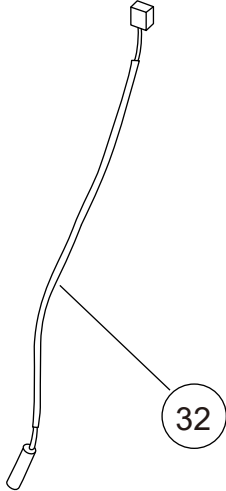
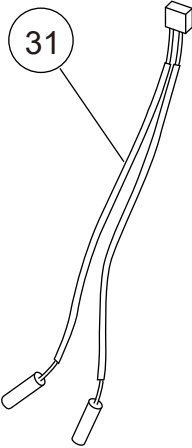
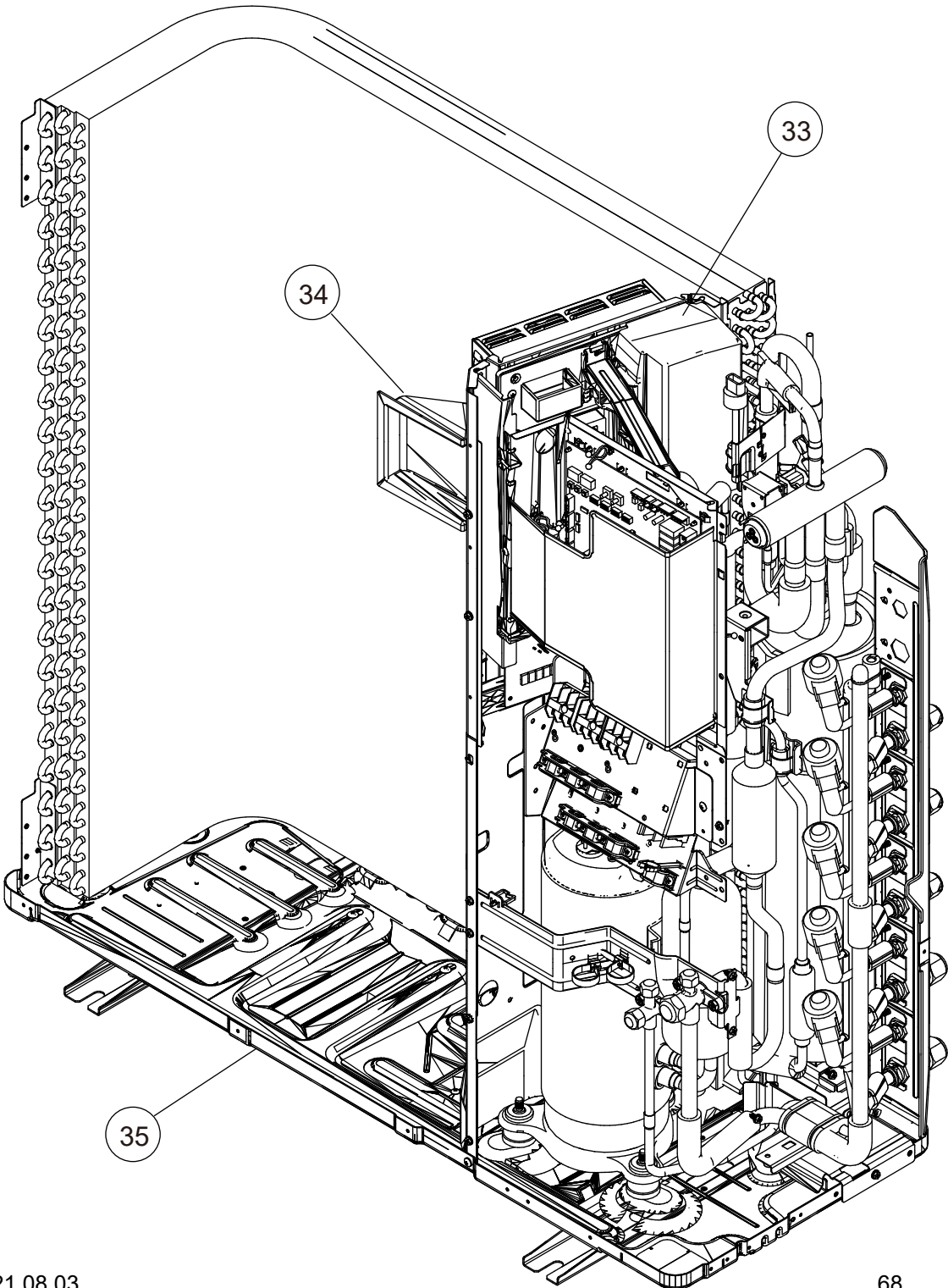
Ref.	Description	Part number
1	Adapter K Assy	9379963022
2	Adapter L Assy	9379963039
3	Adapter H	9379681001
4	Drain Cap (AOU45RLXFZ)	313166024302
5	Drain Assy (AOU45RLXFZ)	9303029015
6	Outdoor Thermistor	9900565046
7	Thermistor Holder	9332505009
8	Protective Net Rear Assy	9378926059
9	Protective Net Left Assy	9378928022
10	Cabinet Left	9380968009
11	Cabinet Right Sub Assy	9380570035
12	Conduit Plate	9382195007

Ref.	Description	Part number
21	Union Cover	9382204006
22	Top Panel Sub Assy	9379416030
23	Front Panel Sub Assy (Including Blow grill)	9380569039
24	Blow Grill	9380955009
25	Service Panel Sub Assy	9380571032
26	Label (FUJITSU)	9380477006
27	Propeller Fan	9379414005
28	Motor, DC Brushless	9603496012
29	Heater Unit Sub Assy (AOU36)	9900919009
30	Motor Bracket Sub Assy	9380566021

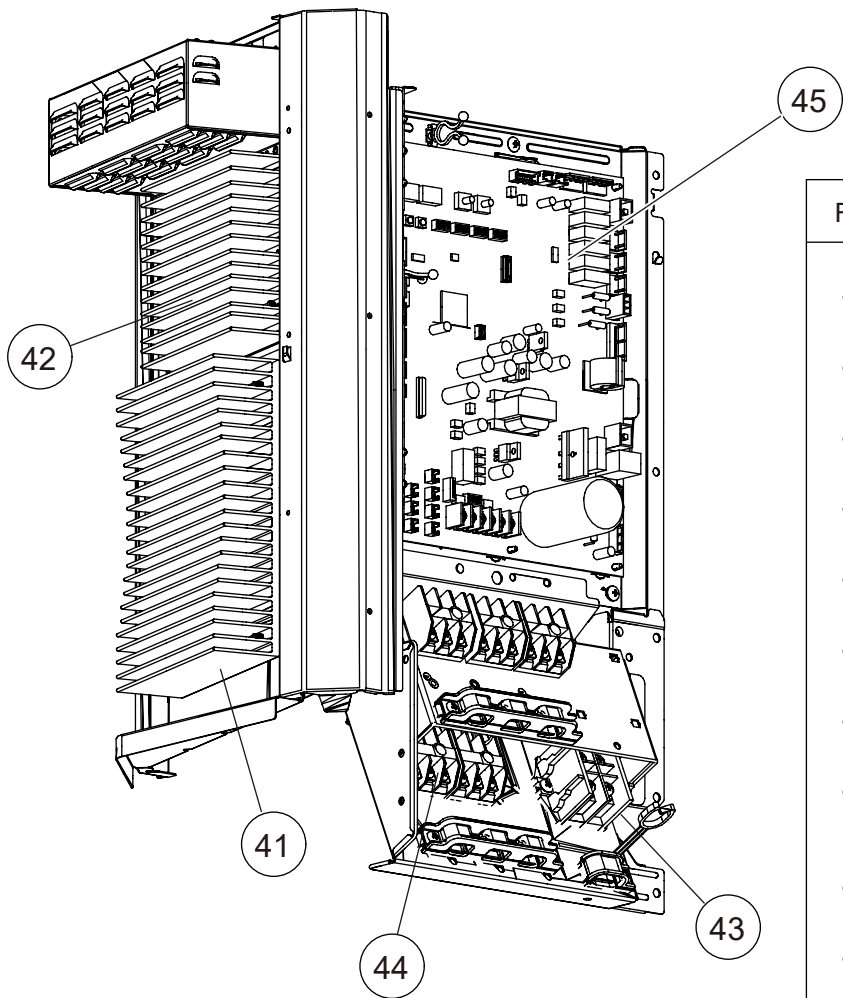
OUTDOOR UNIT  
AOU36RLXFZH  
AOU45RLXFZ



OUTDOOR UNIT  
 AOU36RLXFZH  
 AOU45RLXFZ

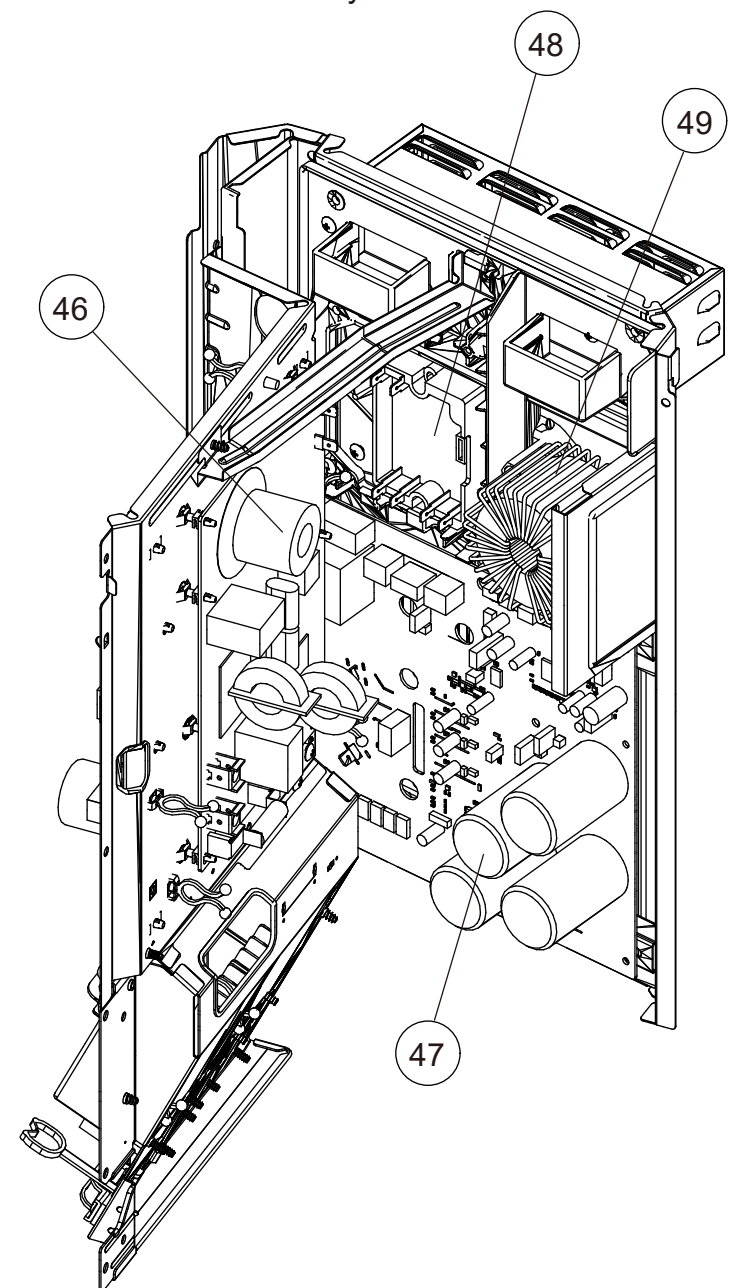


Ref.	Description	Part number
31	Thermistor Assy (Discharge + Comp.)	9900922016
32	Heat Ex. Thermistor	9900923013
33	Duct A	9380961000
34	Duct D	9380959007
35	Base Sub Assy (36)	9379425124
35	Base Sub Assy (45)	9379425131



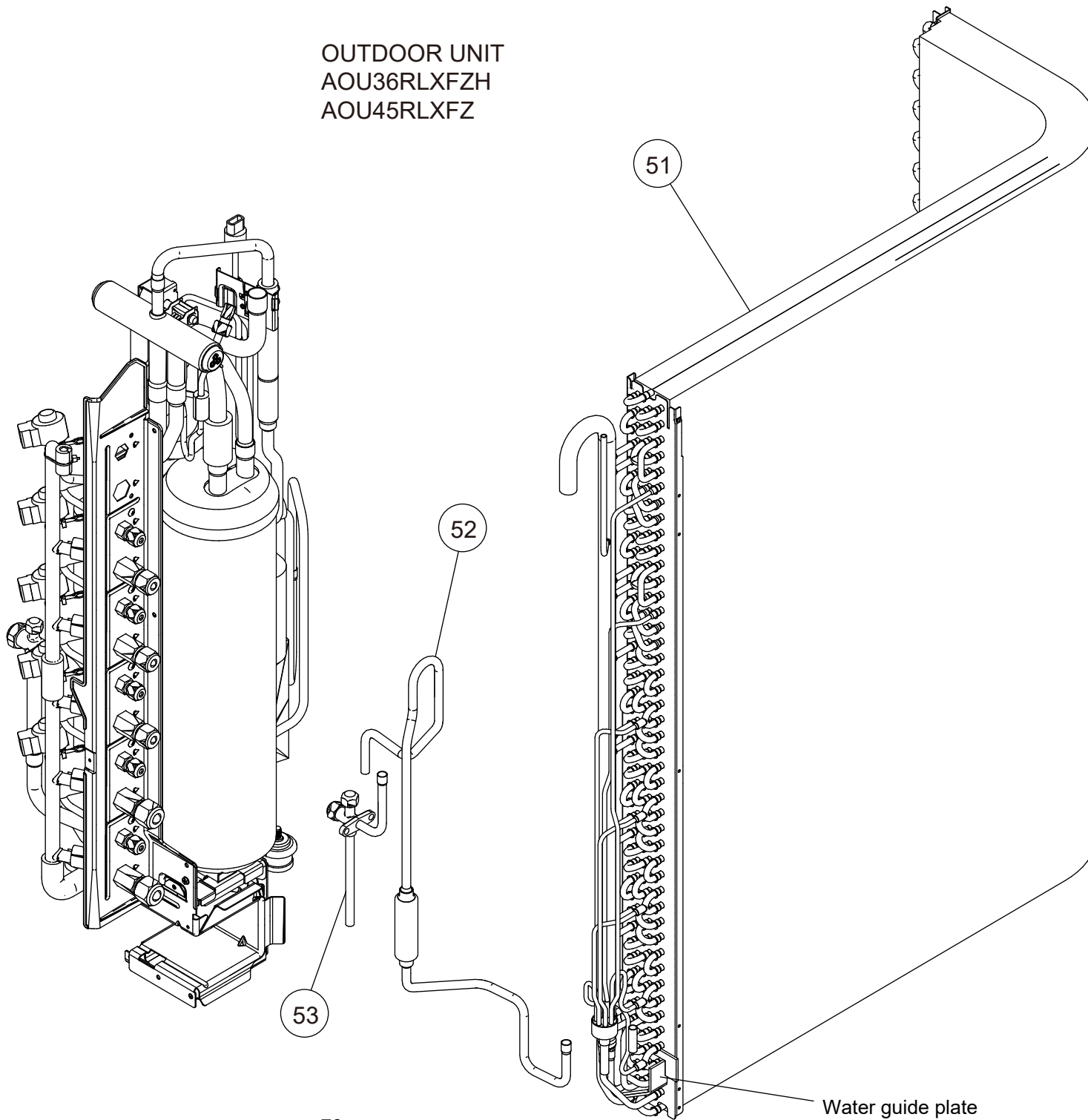
Ref.	Description	Parts number
41	Heat Sink A	9380483007
42	Heat Sink C	9380980018
43	Terminal 2P Power	9900428105
44	Terminal 3P Inner	9306489045
45	Main PCB (AOU36)	9710455094
45	Main PCB (AOU45)	9710455087
46	Filter PCB	9709911112
47	Transistor PCB (Service unit)	9709681954
48	ACTPM	9708920009
49	Choke Coil	9900624019
-	Wire w/Connector (CN281-CN320)	9708610016
-	Wire w/Connector (CN271-CN390)	9708609010
-	Wire w/Connector (CN251-CN380)	9710456008
-	Wire w/Connector (CN370-CN501)	9708613017
-	Wire w/Connector (CN395-CN11)	9708811031

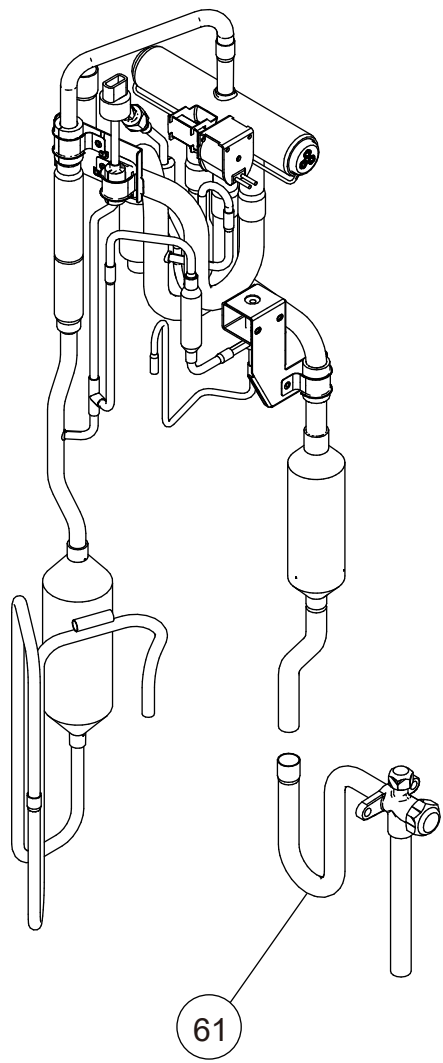
OUTDOOR UNIT  
 AOU36RLXFZH  
 AOU45RLXFZ  
 Inverter assy



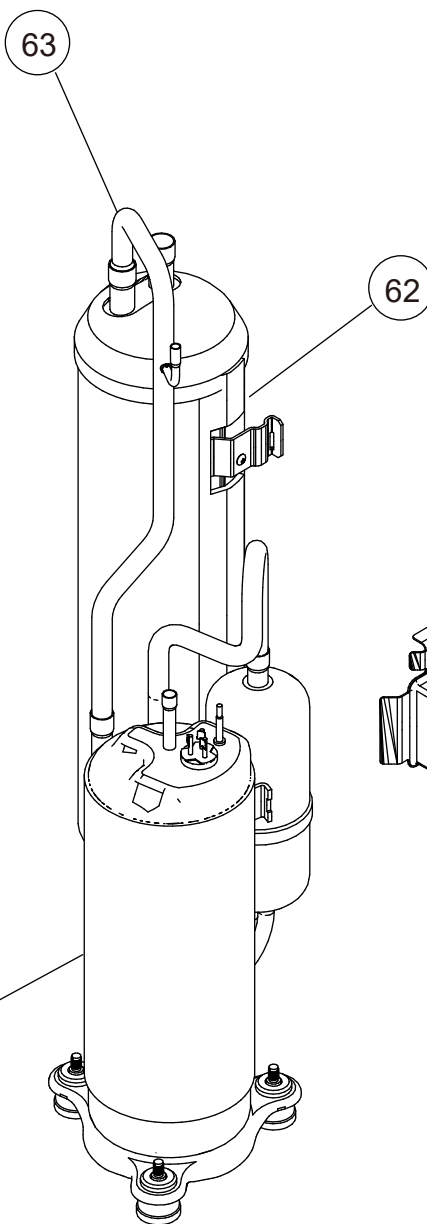
Ref.	Description	Part number
51	Condenser Sub Assy	9374420360
52	Condensing Pipe Assy	9371378107
53	3-way Valve Assy	9381055012

OUTDOOR UNIT  
 AOU36RLXFZH  
 AOU45RLXFZ

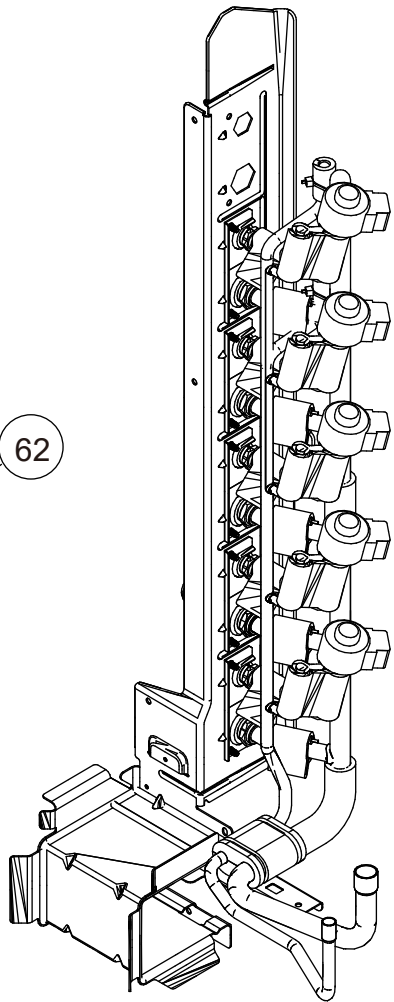




61



64

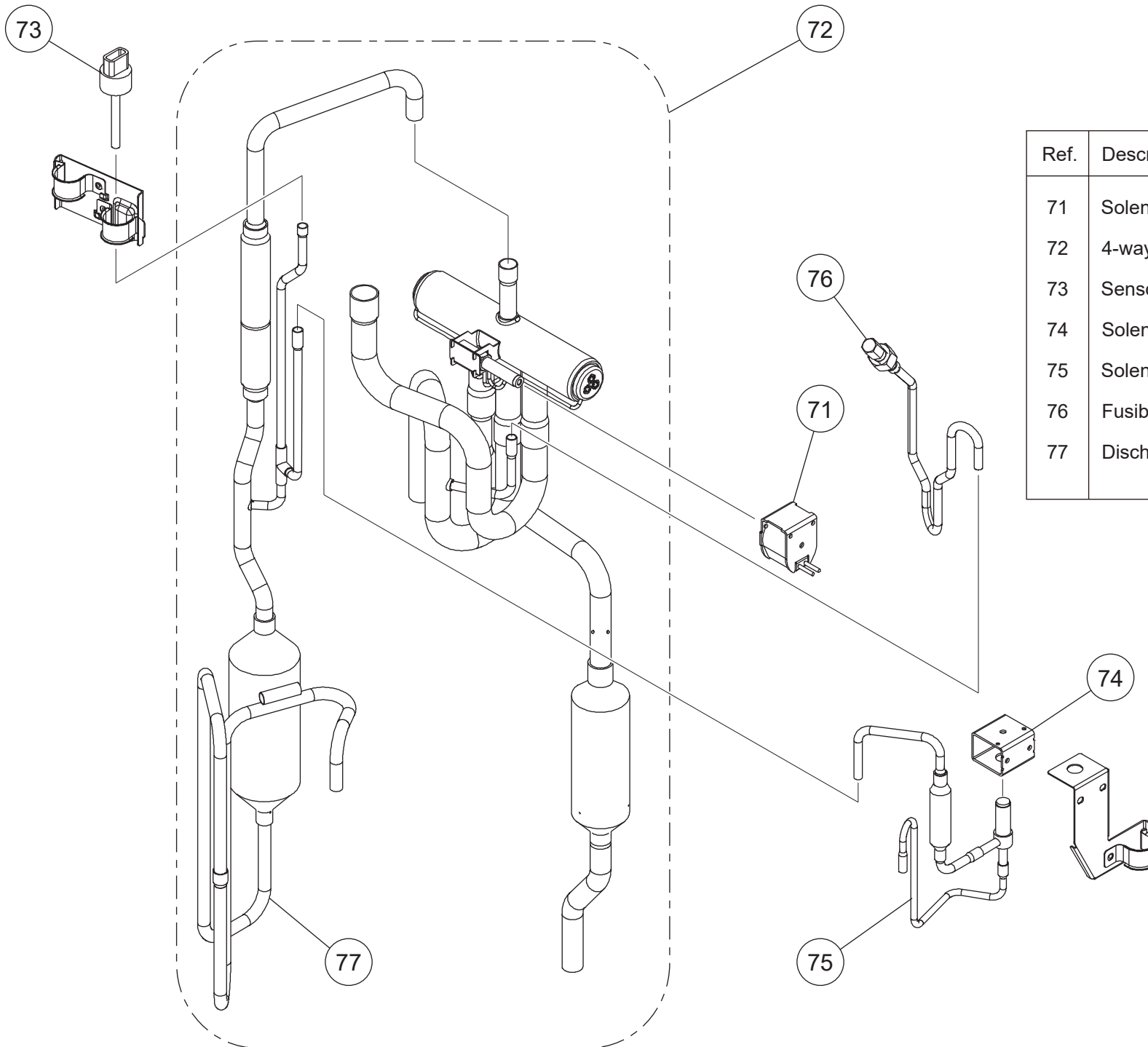


OUTDOOR UNIT  
 AOU36RLXFZH  
 AOU45RLXFZ

Ref.	Description	Part number
61	3-way Valve Assy	9315414052
62	Accumulator Sub Assy	9372700075
63	Suction Pipe Assy	9372514191
64	Compressor	9810275004
-	Belt Heater	9901076039
-	S-ABS (Body)	9379647090
-	Comp. Cover (Top)	9380516040

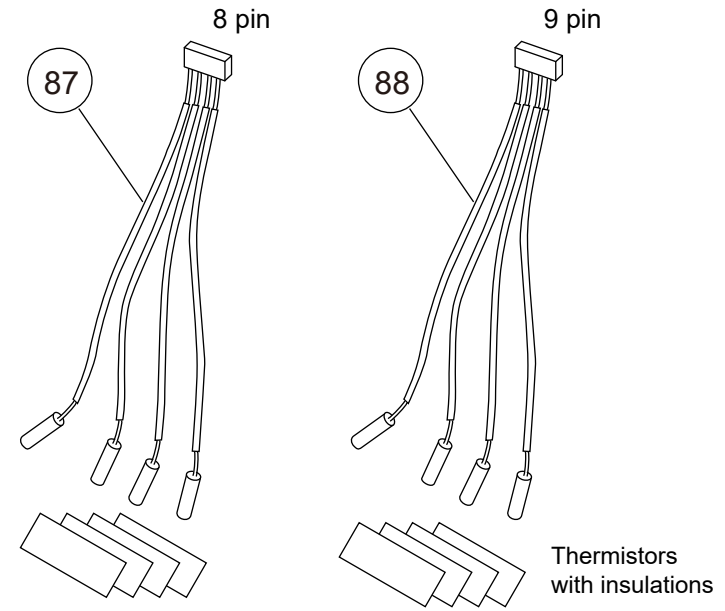
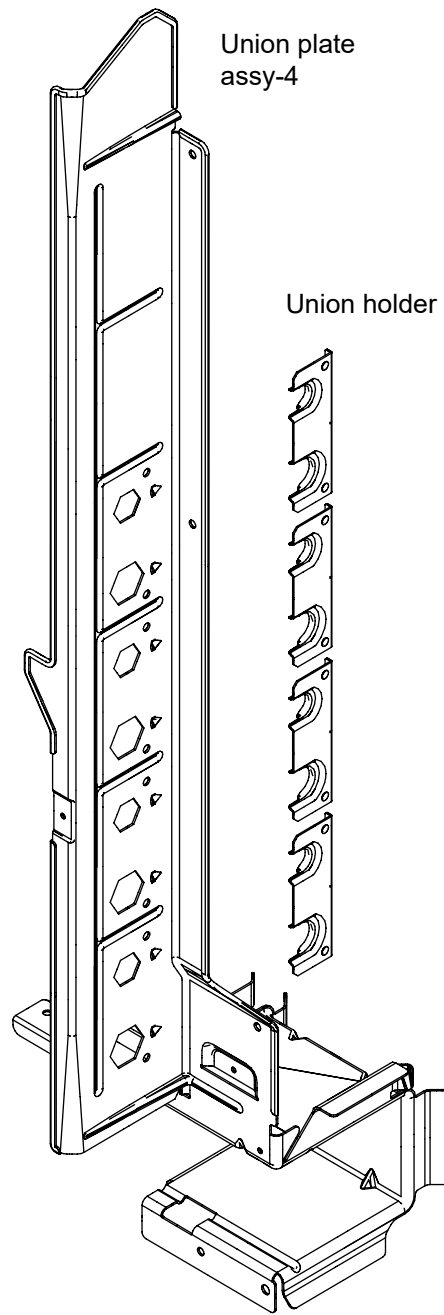
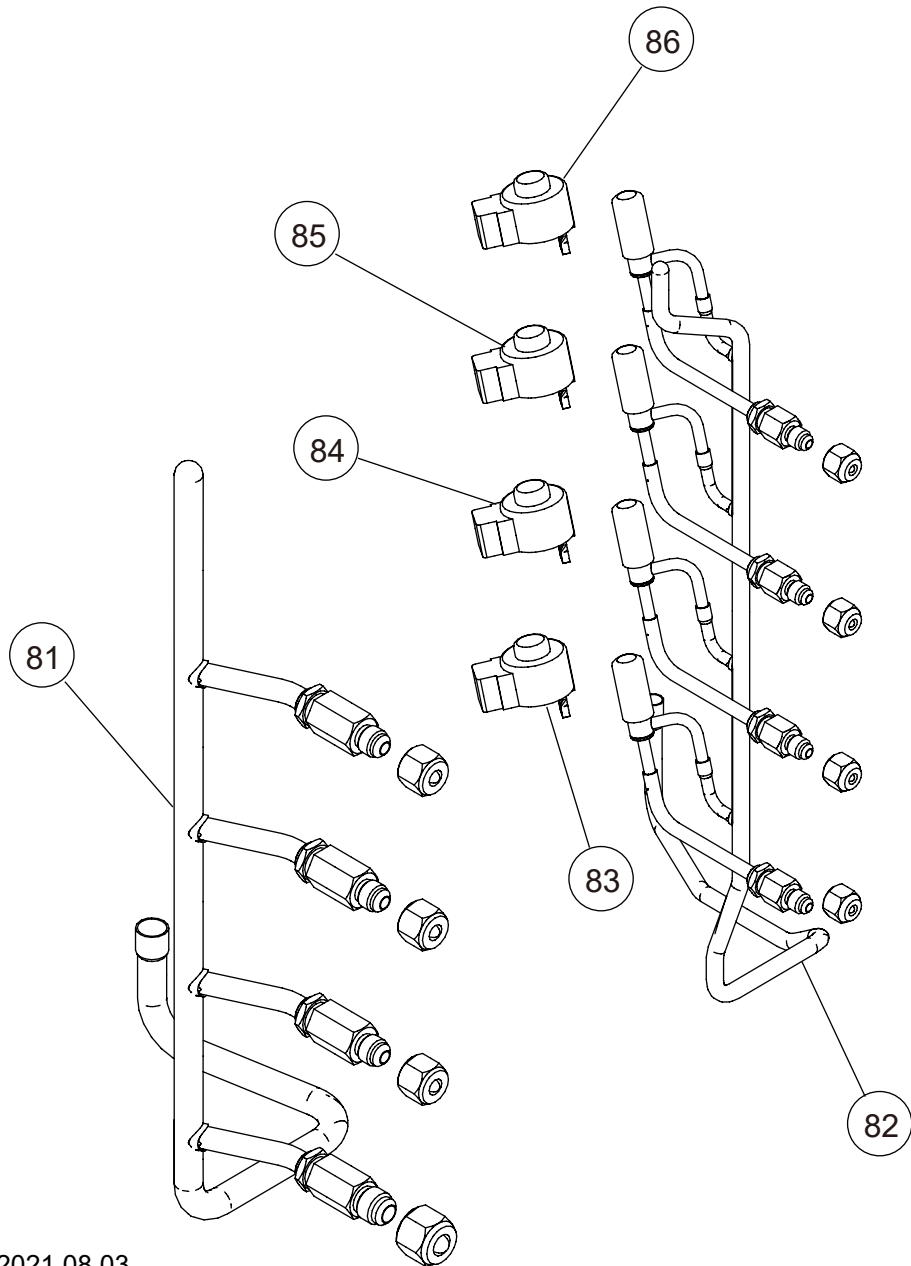


OUTDOOR UNIT  
 AOU36RLXFZH  
 AOU45RLXFZ



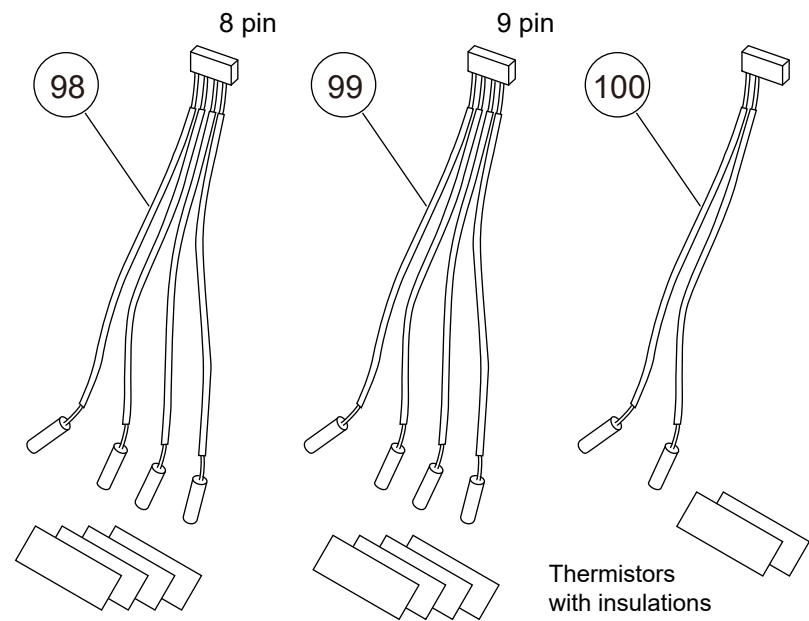
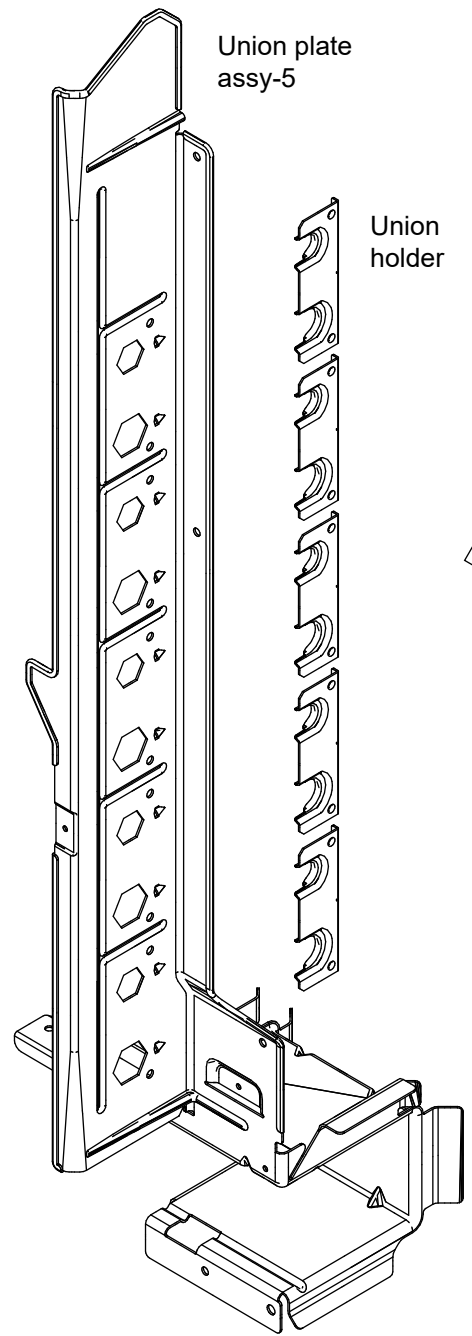
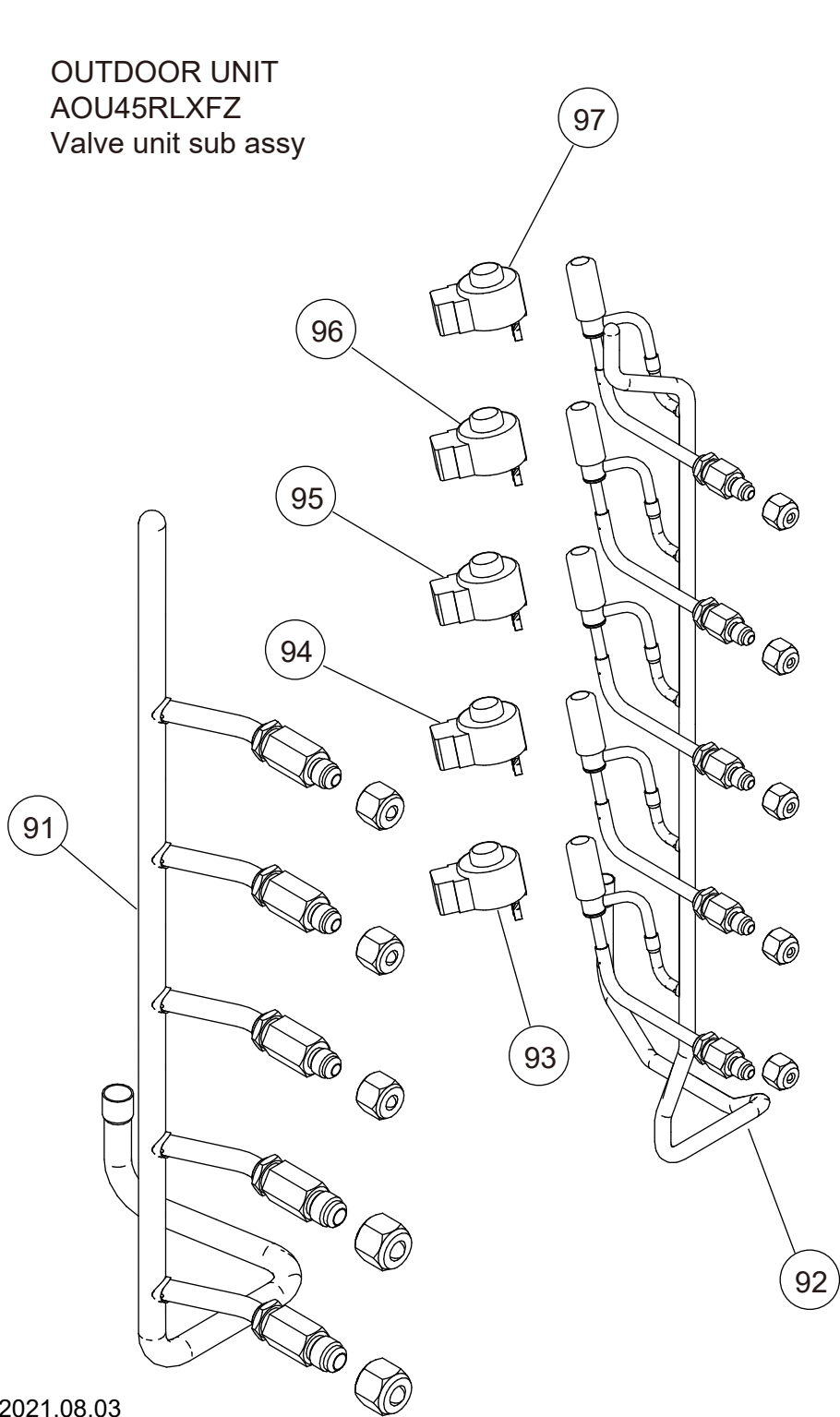
Ref.	Description	Part number
71	Solenoid	9970110146
72	4-way Valve Assy	9374425532
73	Sensor	9970158018
74	Solenoid	9970165016
75	Solenoid Valve Assy	9380016038
76	Fusible Plug Pipe Assy	9382230005
77	Discharge Pipe Total Assy	9371581330

OUTDOOR UNIT  
AOU36RLXFZH  
Valve unit sub assy



Ref.	Description	Part number
81	Valve Gas Pipe Assy-4	9382236007
82	Valve Liquid Pipe Assy-4	9382235000
83	Expansion Valve Coil A	9970186004
84	Expansion Valve Coil B	9970187001
85	Expansion Valve Coil C	9970186011
86	Expansion Valve Coil D	9970187018
87	Thermistor BA Sub Assy	9900924010
88	Thermistor DC Sub Assy	9900925017

OUTDOOR UNIT  
 AOU45RLXFZ  
 Valve unit sub assy


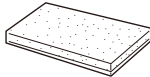


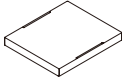
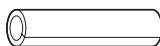

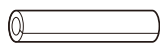


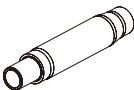


Ref.	Description	Part number
91	Valve Gas Pipe Assy-5	9382236014
92	Valve Liquid Pipe Assy-5	9382235017
93	Expansion Valve Coil A	9970186004
94	Expansion Valve Coil B	9970187001
95	Expansion Valve Coil C	9970186011
96	Expansion Valve Coil D	9970187018
97	Expansion Valve Coil E	9970186028
98	Thermistor BA Sub Assy	9900924010
99	Thermistor DC Sub Assy	9900925017
100	Thermistor E Sub Assy	9900925014

## Accessories (Indoor unit)





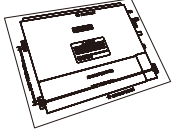
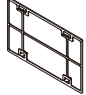


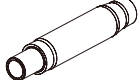
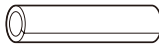



### 1. Compact cassette type

#### ■ Models: ACUH07LUAS1, ACUH09LUAS1, ACUH12LUAS1, and ACUH18LUAS1

Part name	Exterior	Q'ty	Part name	Exterior	Q'ty
Operating manual		1	Drain hose insulation		1
Installation manual		1	Hose band		1
Template (Carton top)		1	Coupler heat insulation (large)		1
Special nut A (large flange)		4	Coupler heat insulation (small)		1
Special nut B (small flange)		4	Cable tie (for electrical wiring)		2
Drain hose		1			


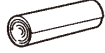


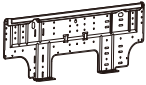


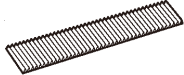

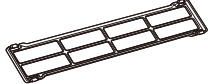


## 2. Slim duct type

### ■ Models: ADUH07LUAS1, ADUH09LUAS1, ADUH12LUAS1, ADUH18LUAS1, and ADUH24LUAS1





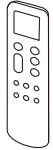
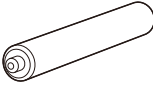

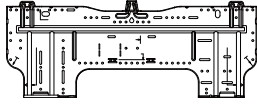





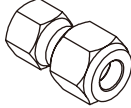
Part name	Exterior	Q'ty	Part name	Exterior	Q'ty
Operating manual		1	Cable tie (large)		4
Installation manual		1	Cable tie (medium)		3
Installation template		1	Filter (small) (Other than 18 model)		2
Washer		8	Filter (large) (For 18/24 models)		2 (18 model) 1 (24 model)
Drain hose		1	Coupler heat insulation (large)		1
Hose band		1	Coupler heat insulation (small)		1
Drain hose insulation B		1			

### 3. Wall mounted type

#### ■ Models: ASU7RLF1, ASU9RLF1, ASU12RLF1, and ASU15RLF1





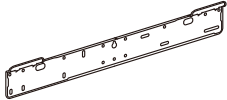




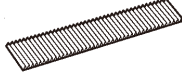

Part name	Exterior	Q'ty	Part name	Exterior	Q'ty
Operating manual		1	Cloth tape		1
Installation manual		1	Tapping screw (large)		5
Wall hook bracket		1	Tapping screw (small)		2
Remote controller		1	Air cleaning filter		2
Battery		2	Filter holder		2
Remote controller holder		1	Seal A <ul style="list-style-type: none"> <li>• It is necessary when using 15 model.</li> <li>• It is used when the diameter of gas pipe is <math>\text{\O}1/2</math> in (12.70 mm) or more.</li> </ul>		1

■ **Models: ASUH07LPAS, ASUH09LPAS, ASUH12LPAS, ASUH15LPAS, ASUH18LPAS, and ASUH24LPAS**

Part name	Exterior	Q'ty	Part name	Exterior	Q'ty
Operating manual		1	Tapping screw (large)		5
Installation manual		1	Tapping screw (small)		2
Remote controller		1	Battery		2
Remote controller holder		1	Wall hook bracket		1
Cloth tape		1	Ion deodorization filter		1
Filter holder		2	Apple-catechin filter		1
Seal A <ul style="list-style-type: none"> <li>It is necessary when using 15 model.</li> <li>It is used when the diameter of gas pipe is <math>\varnothing 1/2</math> in (12.70 mm) or more.</li> </ul>		1	Adapter, $1/2$ (12.7)→ $5/8$ (15.88) [in (mm)] (Only for 24 model)		1

## 4. Floor type


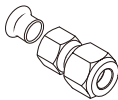

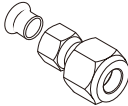

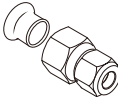

### ■ Models: AGU9RLF, AGU12RLF, and AGU15RLF

Part name	Exterior	Q'ty	Part name	Exterior	Q'ty
Operating manual		1	Cable tie		1
Installation manual		1	Cloth tape		1
Wall hook bracket		1	Tapping screw (large)		9
Remote controller		1	Tapping screw (small)		2
Battery		2	Air cleaning filter		2
Remote controller holder		1			




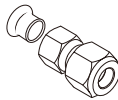

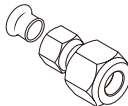

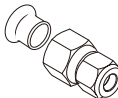



## Accessories (Outdoor unit)

### ■ Model: AOU36RLXFZH

Part name	Exterior	Q'ty	Part name	Exterior	Q'ty
Installation manual		1	Adapter K 1/2 in (12.70 mm) 3/8 in (9.52 mm)		1 set
Cable tie with clip (Large)		2	Adapter L 1/2 in (12.70 mm) 5/8 in (15.88 mm)		1 set
Cable tie with clip (Small)		2	Adapter H 3/8 in (9.52 mm) 1/2 in (12.70 mm)		1 set
Cable tie		1			

### ■ Model: AOU45RLXFZ

Part name	Exterior	Q'ty	Part name	Exterior	Q'ty
Installation manual		1	Drain cap		7
Drain pipe		1	Adapter K 1/2 in (12.70 mm) 3/8 in (9.52 mm)		2 set
Cable tie with clip (Large)		2	Adapter L 1/2 in (12.70 mm) 5/8 in (15.88 mm)		2 set
Cable tie with clip (Small)		2	Adapter H 3/8 in (9.52 mm) 1/2 in (12.70 mm)		1 set
Cable tie		1			

