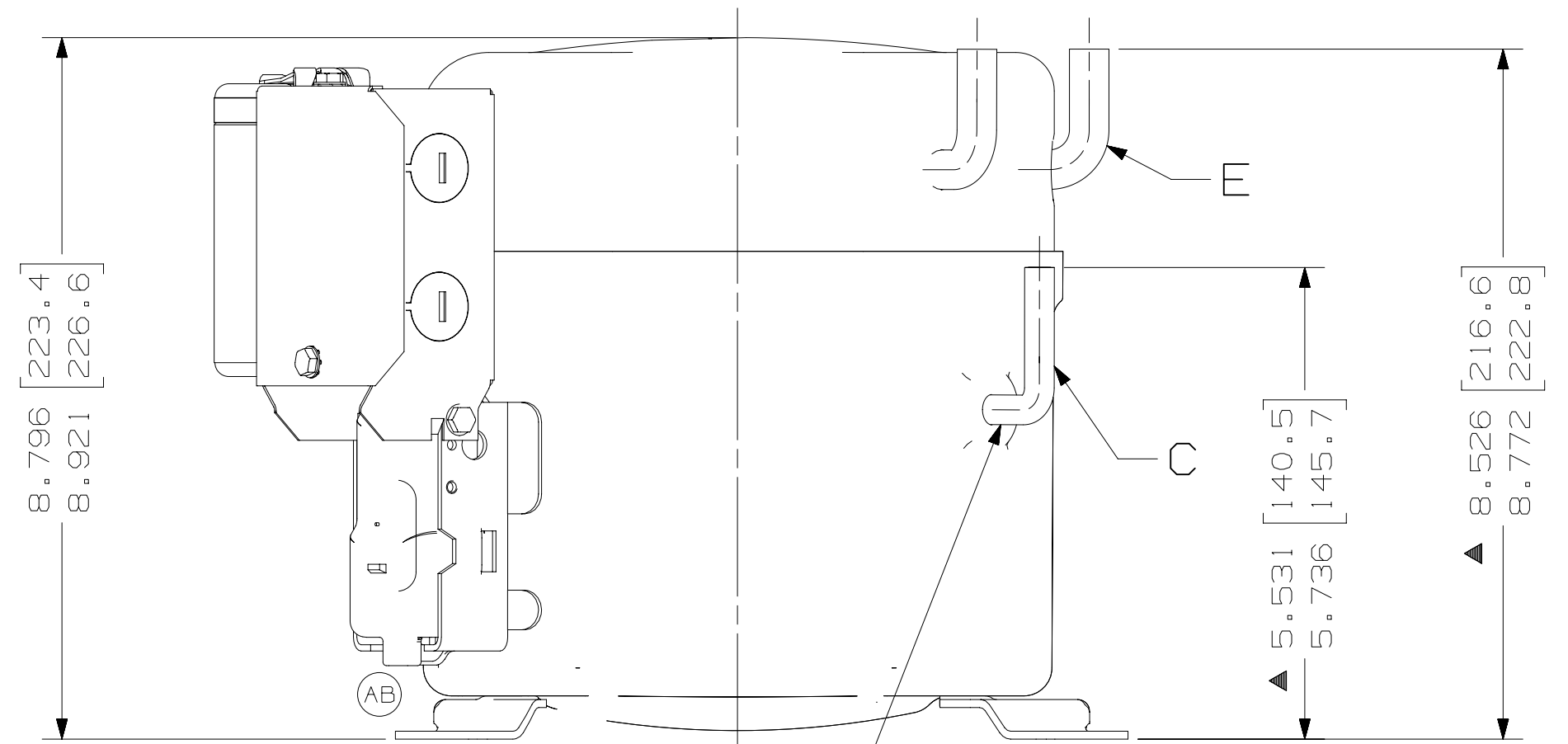
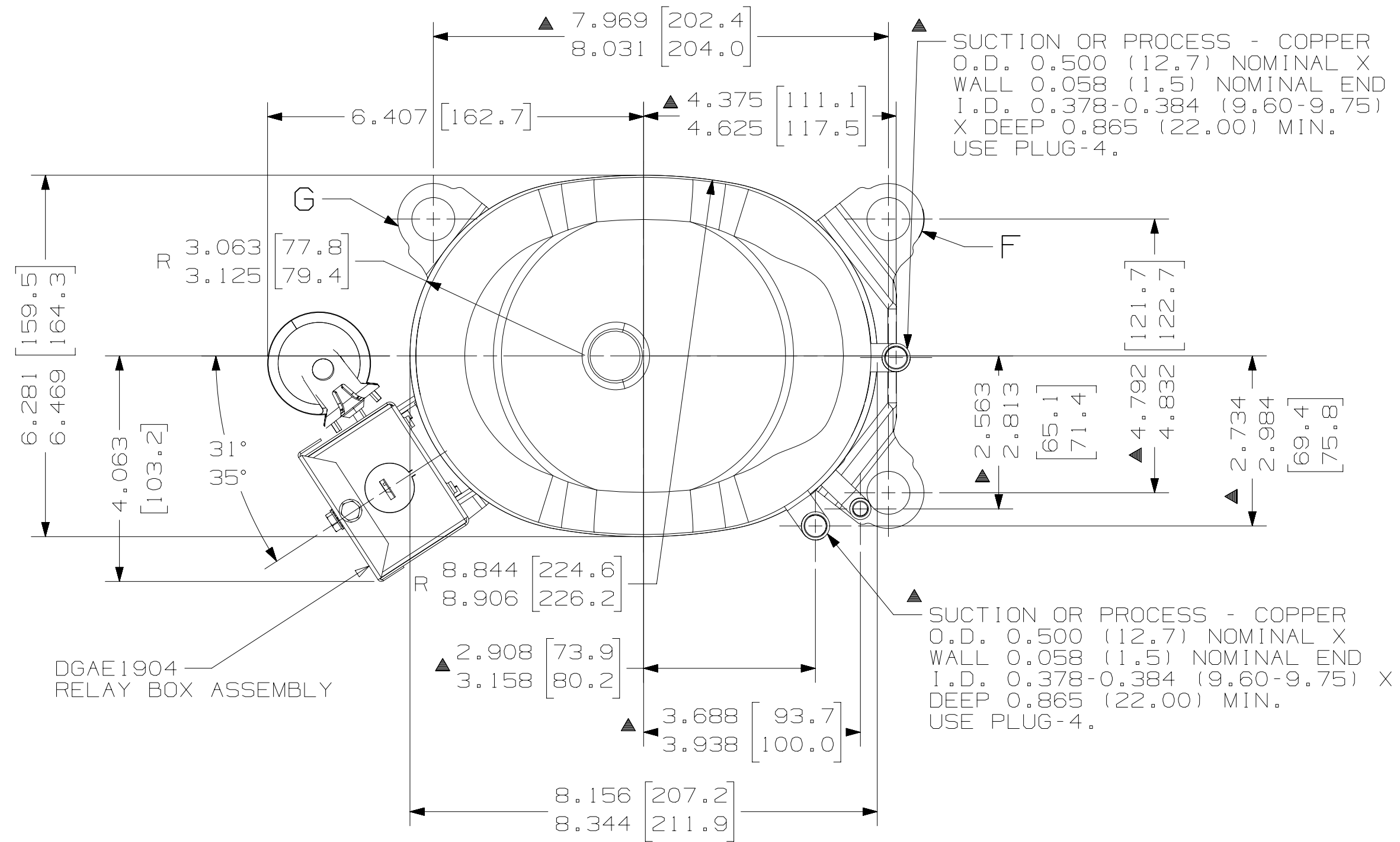


ITEM	PART NUMBER
A	AKU1020
B	AKL1019
C	34525
D	34439
E	34439
F	280-10011
G	280-10010

NOTES

- IF SPECIFIED ON BILL OF MATERIAL ASSEMBLE THE COMPONENTS AS SHOW.
- SEE COMPONENT DRAWINGS FOR DIMENTIONS NOT SHOW.
- MUST COMPLY WITH TECUMSEH GLOBAL ESPEC-8.

DIMENSIONING= INCHES OR INCHES - [MILLIMETERS]
MILLIMETERS



DISCHARGE - COPPER
▲ O.D. 0.375 (9.50) NOMINAL
END I.D. 0.253-0.259 (6.43-6.58)
USE PLUG-2.

REV	DATE	DESCRIPTION
EC102901 17-02-22	SM. MS.	ALTERADO PROTETOR DE TERNANUS DEB-108-10072
EC95416 03-11-20	PS. CS.	LIBERACAO
AB B3	AA	..
LT	LC	CHANGE

THIS DRAWING OR PRINT (1) IS THE PROPERTY OF TECUMSEH DO BRASIL LTDA. AND CONTAINS PROPRIETARY AND CONFIDENTIAL INFORMATION BELONGING TO TECUMSEH DO BRASIL. IT IS TO BE USED ONLY FOR THE PURPOSES SPECIFIED HEREIN AND IS NOT TO BE REPRODUCED, COPIED, OR DISCLOSED OR MADE AVAILABLE TO OTHERS WITHOUT THE EXPRESS AND SPECIFIC WRITTEN CONSENT OF TECUMSEH DO BRASIL AND WITHOUT THE EXPRESS AND SPECIFIC WRITTEN CONSENT OF TECUMSEH DO BRASIL. ANY UNAUTHORIZED REPRODUCTION OR DISCLOSURE OF THIS DRAWING OR PRINT IS STRICTLY PROHIBITED AND WILL BE PUNISHED BY LAW. THIS DRAWING IS THE PROPERTY OF TECUMSEH DO BRASIL AND NOT OTHERWISE (1) IT SHALL NOT BE COPIED OR TO ANY EXTENT WITH-OUT TECUMSEH DO BRASIL PRIOR EXPRESS AND SPECIFIC WRITTEN CONSENT AND (2) IT SHALL BE RETURNED BY THE RECIPIENT LATTER'S REQUEST PROMPTLY AFTER SUCH REQUEST IS MADE.

DO NOT SCALE THIS DRAWING. ALL FER-ROUS MATERIALS MUST NOT BE MAGNETIZED AS RECEIVED OR AT COMPRESSOR ASSEMBLY

THIRD ANGLE PROJECTION

UNITS: mm

DRAWING SIZE: A2

0. A. SYMBOLS AS PROCEDURE 2.01.031 TECUMSEH OF BRAZIL

★ = CATEGORY I
▲ = CATEGORY II
■ = CATEGORY III
□ = CATEGORY IV

NAME		SALES COMPRESSOR		PART NO.	
DWN.		CA10		DCAKB37	
DATE		REF.		SCALE	
22-04-20				1:2	
		ANDRE		PAGE	
				1/1	
				FAMILY	
				AK	

