



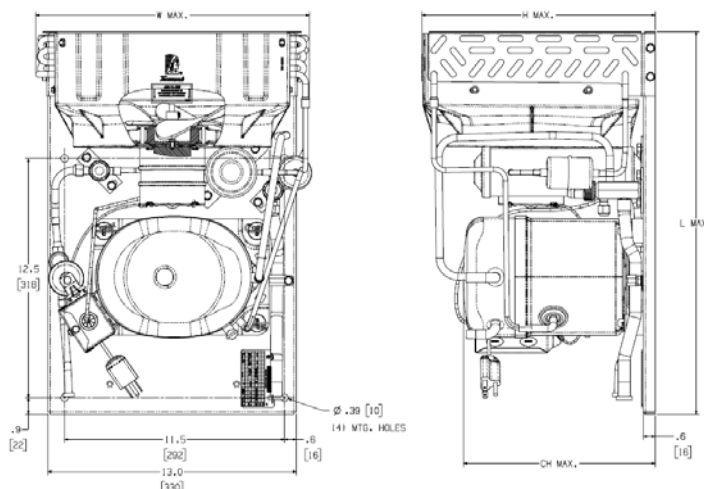
Celseon® Air Cooled Condensing Unit

Model: AKA9446EAAD*

BoM: 2G214-**

R-22

1/2 HP



Model	Dimensions, inches				Line Connection*		Pumpdown	Air	Oil Ch	Gr. Wt.
	L	W	H	CH	Suction	Liquid	90 °F 90%	SCFM	Oz.	Lbs.
AKA9446EAADA	20.0	14.3	12.1	10.1	3/8" S	1/4" S	N/A	230	15	53
AKA9446EAADG					5/8" S	3/8" S	3.1 lbs			54
AKA9446EAADH					5/8" S	3/8" S	N/A			53
AKA9446EAADK					3/8" S	1/4" S				53
AKA9446EAADC					5/8" S	3/8" S	3.1 lbs			54
AKA9446EAADS					5/8" S	3/8" S	N/A			53
AKA9446EAADJ					5/8" S	3/8" S	3.1 lbs			54
AKA9446EAADP					5/8" S	3/8" S	3.1 lbs			54

* F = Flare, S = Solder, RF or RS = Rotolock with Flare or Solder Connections, C = Compression Fitting
Factory charge: 20 PSIG Nitrogen – **MUST BE EVACUATED**

Evaporator T,		Ambient Temperatures								
		90°F			100°F			110°F		
°F	PSIG	BTUH	Watts	Cond T	BTUH	Watts	Cond T	BTUH	Watts	Cond T
-10	16.5	1800	510	100	1450	440	108	---	---	---
-5	20.0	2200	560	101	1800	540	110	1400	525	119
0	24.0	2600	600	105	2200	590	113	1750	580	121
5	28.2	3050	620	107	2600	640	116	2150	630	123
10	32.8	3500	690	110	3100	690	117	2600	690	126
15	37.7	4050	730	113	3550	735	120	3100	740	130
20	43.0	4600	780	116	4100	780	124	3600	795	132
25	48.8	5150	820	119	4600	835	127	4100	850	136
30	54.8	5700	870	121	5150	890	130	4700	915	138
35	61.5	6300	920	126	5700	940	133	5200	970	142
40	68.5	6900	965	128	6350	1000	137	---	---	---
45	76	7600	1020	132	6900	1050	139	---	---	---

60 Hz Performance

Return gas temp 40°F below 20°F evaporator,
and 65°F above 20° evap, 5°F sub cooling

Electrical Diagram Page 3

