

Inverter Driven Heat Pump **30,000 BTU Multi Position AHU**

Job Name _____
 Location _____
 Engineer _____
 Submitted To _____
 Submitted By _____
 Reference _____

Date _____
 Approval _____
 Construction _____
 Unit No _____
 Drawing No _____

PRODUCT FEATURES

- Up to 1.0" WC
- 2-Wire Wired Remote Controls
- All Aluminum Coil
- Heating operation rated down to -5°F outdoor temperature.
- Long Lineset Lengths (up to 164')
- Integral Electric Heat Kit (Optional)
- Low Air Leakage Rate (2% or less)



MODEL NUMBERS

Indoor Unit	AMUG30LMAS
Outdoor Unit	AOU30RGLX
System	30RGLXM

EFFICIENCIES

SEER	18.5	
EER	10.1	
HSPF	10.3	
COP	kW/kW	3.11
	Btu/hW	10.6

OUTDOOR TEMPERATURE OPERATION RANGE

Cooling	*F(*C)	-5 - 115 (-20 - 46)
Heating		-5 - 75 (-20 - 24)

CAPACITIES

Cooling	Rated	BTU/hW	30,000
	Min.—Max.		9,600 - 35,000
Heating	Rated		32,000
	Min.—Max.		9,200 - 39,000

LINESSET REQUIREMENTS

Connection Method	Flare	
Liquid	in (mm)	3/8
Gas		5/8
Pre-Charge Length	ft (m)	66 (20)
Minimum Length		16 (5)
Maximum Length		164 (50)
Max. Height Diff.		98 (30)

INDOOR DIMENSIONS & WEIGHT

Net (H x W x D)	in	42 8/16 x 21 x 21 11/16
	mm	1080 x 533 x 551
Gross (H x W x D)	in	42 12/16 x 24 x 25 5/16
	mm	1086 x 610 x 643
Net Weight	lb (kg)	104 (47)
Gross Weight		116 (52.5)

OUTDOOR DIMENSIONS & WEIGHT

Net (H x W x D)	in	32 11/16 x 35 7/16 x 13
	mm	830 x 900 x 330
Gross (H x W x D)	in	39 3/8 x 41 5/16 x 17 1/2
	mm	1000 x 1050 x 445
Net Weight	lb (kg)	134 (61)
Gross Weight		152 (69)

Warranty Information



7 Year Compressor, 5 Year Parts out-of-the-box Warranty



10 Year Compressor, 10 Year Parts Warranty when registered within 60 days of installation in a residence



12 Year Compressor, 12 Year Parts Warranty when registered within 60 days of installation in a residence, and installed by a Fujitsu Elite contractor

ACCESSORIES

UTY-RNRUZ4	Wired Remote Control
UTY-RSRY	Simple Remote Control
UTY-LBTUM	IR receiver kit with wireless remote controller
UTY-TTRX	Third Party Thermostat Adapter
UTY-TFSXZ2	WiFi Module
UTY-XCSX	External Input and Output PCB
UTY-XSZX	Remote Sensor



Indoor Unit UL#: 7F62
 Outdoor Unit ETL#: 91987

Effective Date: 2/11/2021 Version 30RGLXM -2020A

Due to continuous product improvements, specifications are subject to change without notice. Please log in to the Fujitsu Portal for the most up-to-date documentation <https://portal.fujitsugeneral.com>

Inverter Driven Heat Pump

30,000 BTU Multi Position AHU

FAN DATA			
Indoor Unit Airflow Rate	Cooling	High	870
		Medium	730
		Low	590
		Quiet	310
	Heating	High	870
		Medium	730
		Low	590
		Quiet	310
Outdoor Unit Airflow Rate	Cooling	2,119 (3,600)	
	Heating	2,119 (3,600)	
SOUND PRESSURE			
Indoor Unit	Cooling	High	42
		Medium	37
		Low	33
		Quiet	28
	Heating	High	39
		Medium	36
		Low	32
		Quiet	25
Outdoor Unit	Cooling	53	
	Heating	55	
REFRIGERANT			
Type	410A		
Charge	lb oz	4lb 10oz	
	g	2,100	
Oil Type	POE (RB68)		

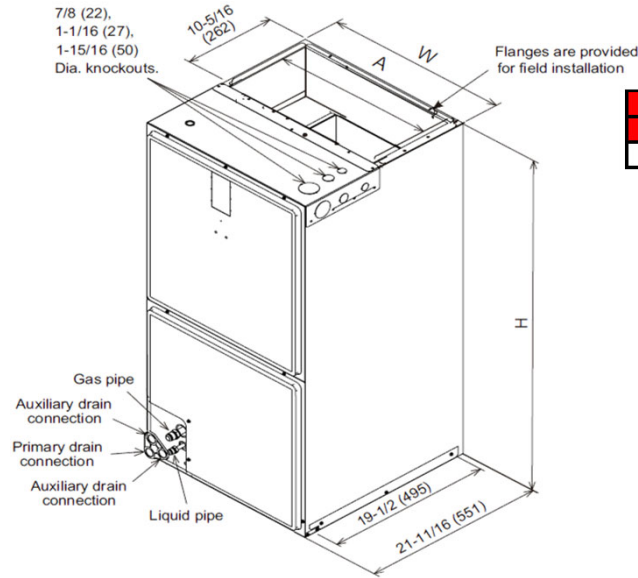
ELECTRICAL SPECIFICATIONS			
Voltage/Frequency/Phase		208-230V/60Hz/1	
Voltage Range		187—253 V	
Current	Cooling	Rated	13.0
	Heating	Rated	13.3
Maximum Operating Current		Cooling	15.6
		Heating	16.1
Starting Current		11.5	
MCA		20.8	
Maximum Circuit Breaker		30	
Input Power	Cooling	Rated	2.97
		Min.—Max.	0.61 - 3.41
	Heating	Rated	3.02
		Min.—Max.	0.57 - 4.16
Power Factor	Cooling	99.2	
	Heating	98.7	
OTHER			
Moisture Removal		pints/h (L/h)	7.2 (3.4)
Energy Star		No	
Drain hose	Material	PVC	
	Size	in (mm)	Ø 3/4 (19) [O.D.]
Operation Range	Cooling	°F (°C)	64 to 90 (18 to 32)
		%RH	80 or less
	Heating	°F (°C)	60 to 86 (16 to 30)
Static Pressure Range	in. WG		0-1.0
	Pa		20-250

The Fujitsu logo is a worldwide trademark of Fujitsu General Limited. The Halcyon logo and name is a worldwide trademark of Fujitsu General Limited and is a registered trademark in Japan, the USA and other countries or areas. Copyright 2020 Fujitsu General America, Inc. Fujitsu's products are subject to continuous improvements. Fujitsu reserves the right to modify product design, specifications and information in this brochure without notice and without incurring any obligations.

Note: Specifications are based on the following conditions:
 Cooling: Indoor temperature of 80°F (26.7°C) DB/67°F (19.4°C) WB, and outdoor temperature of 95°F (35°C) DB/75°F (23.9°C) WB. Heating: Indoor temperature of 70°F (21.1°C) DB/60°F (15.6°C) WB, and outdoor temperature of 47°F (8.3°C) DB/43°F (6.1°C) WB. Pipe length: 25ft. (7.5m), Height difference: 0ft. (0m) (Outdoor unit – indoor unit).

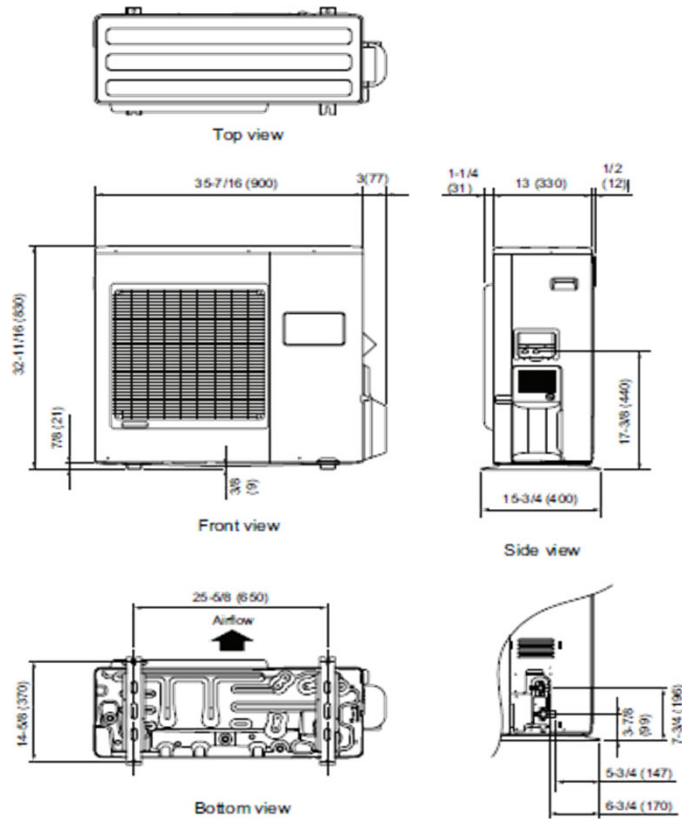
DIMENSIONS

Unit: in (mm)



Return Opening Dimensions	
Width	Depth
19 3/8	19 3/4

Model	A (Supply duct)	W (Unit width)	H (Unit height)
AMUG30LMAS	19-1/2 (495)	21 (533)	42-1/2 (1,080)



The Fujitsu logo is a worldwide trademark of Fujitsu General Limited. The Halcyon logo and name is a worldwide trademark of Fujitsu General Limited and is a registered trademark in Japan, the USA and other countries or areas. Copyright 2020 Fujitsu General America, Inc. Fujitsu's products are subject to continuous improvements. Fujitsu reserves the right to modify product design, specifications and information in this brochure without notice and without incurring any obligations.

Note: Specifications are based on the following conditions:
 Cooling: Indoor temperature of 80°F (26.7°C) DB/67°F (19.4°C) WB, and outdoor temperature of 95°F (35°C) DB/75°F (23.9°C) WB. Heating: Indoor temperature of 70°F (21.1°C) DB/60°F (15.6°C) WB, and outdoor temperature of 47°F (8.3°C) DB/43°F (6.1°C) WB. Pipe length: 25ft. (7.5m), Height difference: 0ft. (0m) (Outdoor unit – indoor unit).