

10 ton HP/HR Outdoor unit, 208/230 VAC, 3-phase, 60 Hz

1 X (AOUA120ULBV5)

Job Name \_\_\_\_\_  
 Location \_\_\_\_\_  
 Engineer \_\_\_\_\_  
 Submitted To \_\_\_\_\_  
 Submitted By \_\_\_\_\_  
 Reference \_\_\_\_\_

Date \_\_\_\_\_  
 Approval \_\_\_\_\_  
 Construction \_\_\_\_\_  
 Unit No \_\_\_\_\_  
 Drawing No \_\_\_\_\_

**Features**

- Compact outdoor unit with single chassis up to 16 tons
- Extended heating capacity to -15 F and cooling to 126 F
- Heat pump and Heat Recovery options with same SKU
- Up to 64 indoor units connectable to 36 ton System
- High static pressure of 0.44 in. W.C on the outdoor fan
- Base pan heater Standard
- Intelligent refrigerant control and operation logic
- Inverter driven scroll compressor and large accumulator
- 10 year Extended Warranty on parts and compressor. See Warranty Statement.



**CAPACITY**

Nominal Cooling Capacity - BTU/h [kW]	120,000[35]
Nominal Heating Capacity - BTU/h [kW]	135,000[39.6]
Nominal Tonnage - Ton(s)	10
Maximum Connectable Indoor Units	26
Connectable Capacity	25% to 150%
Cooling Power Input (HR/HP) - kW	8.16/9.42
Heating Power Input (HR/HP) - kW	9.93/9.63
Unit Group	AOUA120ULBV5

**OUTDOOR TEMPERATURE OPERATION RANGE**

Operating Temp. Cooling (HR/HP) - °F [°C]	14 to 126[-10 to 52] / 5 to 126[-15 to 52]
Operating Temp. Heating (HR/HP) - °F [°C]	-15 to 70[-26 to 21]
Operating Temp. Cooling/Heating Simultaneous(HR) - °F [°C]	14 to 70[-10 to 21]

**ELECTRICAL**

Electrical Power Requirements	208/230 V ~ 60 Hz
Voltage Range	187-253
Maximum Circuit Breaker - A	60
Minimum Circuit Ampacity (MCA) - A	43.9
Cooling Power Input (HR/HP) - kW	8.16/9.42
Heating Power Input (HR/HP) - kW	9.93/9.63
Maximum Starting Current (MSC) - A	34.7
Compressor - Rated Load Amperage (RLA) - A	31.5
Fan Motor - Full Load Amperage (FLA) - A	3.2

**EFFICIENCY**

EER Cooling (Non Ducted/Ducted)	13.5/11.3
High COP (Non Ducted/ Ducted)	3.69/3.65
Low COP (Non Ducted/ Ducted)	2.43/2.43
IEER (Non Ducted/ Ducted)	28.40/19.80
SCHE (Non Ducted/ Ducted)	29.70/27.70

**COMPRESSOR**

Compressor Type	Scroll (inv)
Refrigerant Type	R410A
Refrigerant Charge - lbs [kg]	25.79[11.7]
Compressor Crankcase Heater - W	2 X 35
Refrigerant Oil / Lubricant	PVE
Compressor Capacity Control - Steps/Range	106 steps/ 12.5 to 100%
Compressor Starting Current - SC (A)	34.7

**WIRING**

Communication Cable	LonWorks (Fujitsu Pink Cable. See bulletin A20221205A)
---------------------	--

**FAN**

Fan Type	Propeller fan x 1
Fan Airflow Rate - CFM [m3/h]	7652[13000]
Fan Power Output - W	740
Fan Motor - Full Load Amperage (FLA) - A	3.2
External Static Pressure (Max) - in.WG [Pa]	0.32[80]
Motor Output Direct-Drive Inverter - kW	0.74

**PIPING**

Max. Total Refrigerant Line Length - ft [m]	2,296 [700]
Max Height Diff. (OD & ID)(Upper/Lower) - ft [m]	164/131 [50/40]
Max. Refrig. Line Length 1st Sep. tube to farthest IU - ft [m]	295[90]
Pipe Connection Method: Liquid/Gas	Brazing
Pipe Connection: Liquid - in [mm]	1/2(12.7)
Pipe Connection: Discharge Gas - in [mm]	3/4(19.05)
Pipe Connection: Suction Gas - in [mm]	1-1/8(28.58)
Maximum Length -Outdoor Unit to Indoor Unit- ft [m]	541(165)

**HEAT EXCHANGER**

H. E. Pipe Type (Material)	Grooved H-pin (Copper)
H. E. Fin Tube (Material)	Corrugate (Aluminum)
H. E. Fin Surface Treatment	Corrosion resistance (Blue fin)
H. E. Fin Pitch - FPI [mm]	18[1.45]
H. E. Rows x Stages	3 x 60
H. E. Face Area - Ft <sup>2</sup> [m <sup>2</sup> ]	28[2.6]
H. E. Length - in [mm]	81-1/2[2070]

**SOUND**

Sound Pressure Levels (Cooling/Heating) - dB(A)	61/62
---	-------

**WEIGHT**

Net Weight - lbs [kg]	622[282]
Gross Weight - lbs [kg]	694[315]

**DIMENSIONS**

Dim.Net (HxWxD) - in [mm]	66-9/16 × 48-13/16 × 30-1/8 [1,690 × 1,240 × 765]
Dim.Gross (HxWxD) - in [mm]	73-1/4 × 52-3/8 × 35-3/8 [1,860 × 1,330 × 898]

**CODE**

AHRI Certified	Standard 1230
ETL	220324027GZU-001

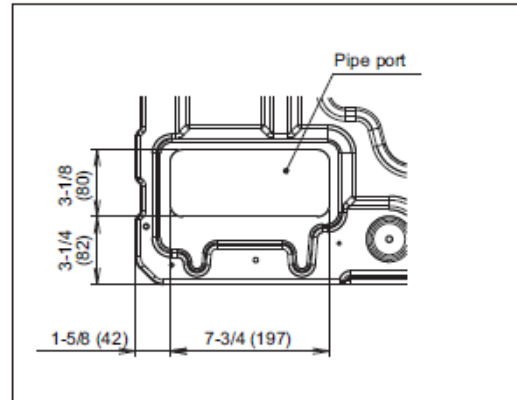
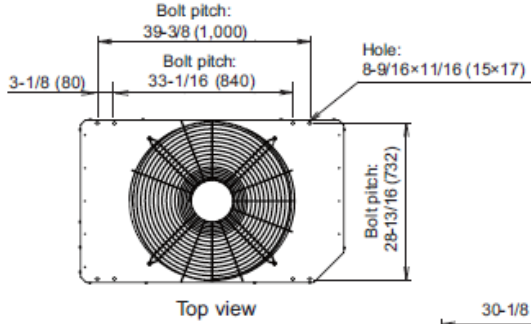
Note: Specifications are based on the following conditions:  
 Cooling: Indoor temperature of 80°F (26.7°C) DB/67°F (19.4°C) WB, and outdoor temperature of 95°F (35°C) DB/75°F (23.9°C) WB.  
 Heating: Indoor temperature of 70°F (21.1°C) DB/60°F (15.6°C) WB, and outdoor temperature of 47°F (8.3°C) DB/43°F (6.1°C) WB.  
 Pipe length: 25ft. (7.5m), Height difference: 0ft. (0m) (Outdoor unit – indoor unit).



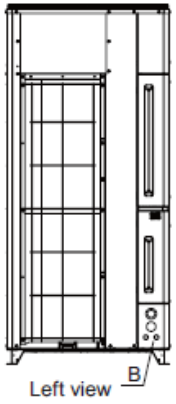
Fujitsu General America, Inc.  
 340 Changebridge Road, 3rd Floor  
 Pine Brook, NJ 07058  
 Toll Free: (888) 888-3424  
 Fax: (973) 836-0453  
 www.fujitsugeneral.com

DIMENSIONS

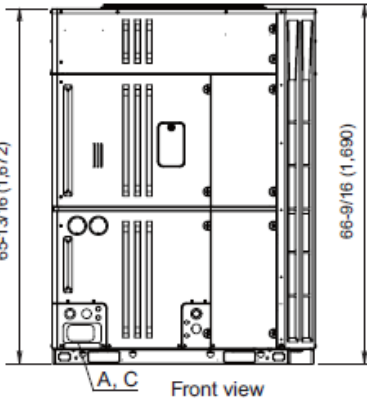
Unit: in (mm)



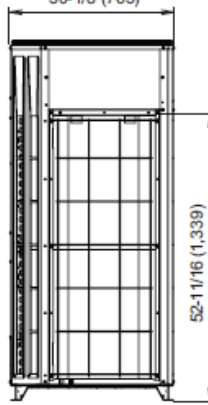
Detail B: Top view



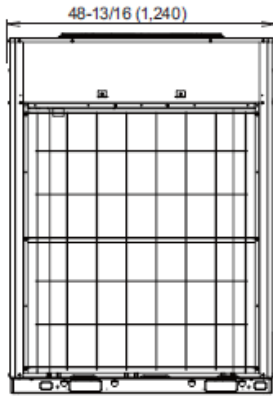
Left view



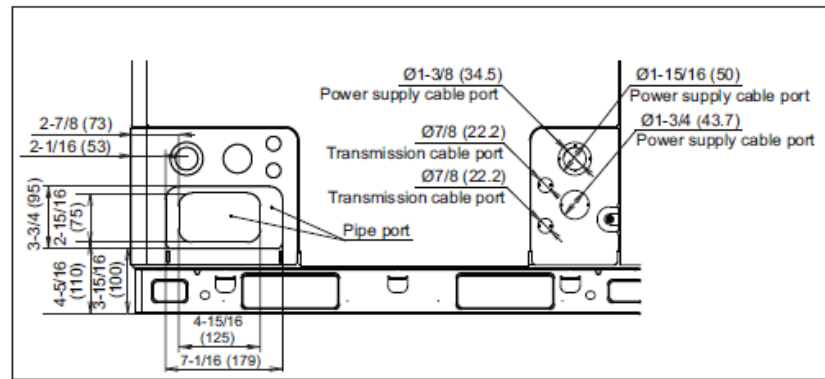
Front view



Right view



Rear view



Detail A: Front view

Fujitsu General America, Inc.  
 340 Changebridge Road, 3rd Floor  
 Pine Brook, NJ 07058  
 Toll Free: (888) 888-3424  
 Fax: (973) 836-0453  
 www.fujitsugeneral.com