

Inverter Driven Heat Pump **48,000 BTU Multi Position AHU**

Job Name _____
 Location _____
 Engineer _____
 Submitted To _____
 Submitted By _____
 Reference _____

Date _____
 Approval _____
 Construction _____
 Unit No _____
 Drawing No _____

PRODUCT FEATURES

- Up to 1.0" WC
- 2-Wire Wired Remote Controls
- All Aluminum Coil
- Heating operation rated down to -5°F outdoor temperature.
- Long Lineset Lengths (up to 230')
- Integral Electric Heat Kit (Optional)
- Low Air Leakage Rate (2% or less)



MODEL NUMBERS

Indoor Unit	AMUG48LMAS
Outdoor Unit	AOUG48LMAS1
System	48LMAS1

EFFICIENCIES

SEER	17.0	
EER	8.2	
HSPF	10.2	
COP	kW/kW	2.90
	Btu/hW	9.9

OUTDOOR TEMPERATURE OPERATION RANGE

Cooling	*F(*C)	14 - 115 (-10 - 46)
Heating		-5 - 75 (-20 - 24)

CAPACITIES

Cooling	Rated	BTU/hW	45,600
	Min.—Max.		13,000 - 48,000
Heating	Rated		53,000
	Min.—Max.		11,000 - 54,000

LINESSET REQUIREMENTS

Connection Method	Flare	
Liquid	in (mm)	3/8
Gas		5/8
Pre-Charge Length	ft (m)	98 (30)
Minimum Length		16 (5)
Maximum Length		230 (70)
Max. Height Diff.		98 (30)

INDOOR DIMENSIONS & WEIGHT

Net (H x W x D)	in	57 x 21 x 21 11/16
	mm	1448 x 533 x 551
Gross (H x W x D)	in	57 2/16 x 23 x 26 8/16
	mm	1451 x 584 x 673
Net Weight	lb (kg)	132 (60)
Gross Weight		146 (66)

OUTDOOR DIMENSIONS & WEIGHT

Net (H x W x D)	in	39 5/16 x 38 3/16 x 14 9/16
	mm	998 x 970 x 370
Gross (H x W x D)	in	45 12/16 x 41 14/16 x 18 13/16
	mm	1162 x 1064 x 478
Net Weight	lb (kg)	198 (90)
Gross Weight		220 (100)

Warranty Information



7 Year Compressor, 5 Year Parts out-of-the-box Warranty



10 Year Compressor, 10 Year Parts Warranty when registered within 60 days of installation in a residence



12 Year Compressor, 12 Year Parts Warranty when registered within 60 days of installation in a residence, and installed by a Fujitsu Elite contractor

ACCESSORIES

UTY-RNRUZ4	Wired Remote Control
UTY-RSRY	Simple Remote Control
UTY-LBTUM	IR receiver kit with wireless remote controller
UTY-TTRX	Third Party Thermostat Adapter
UTY-TFSXZ2	WiFi Module
UTY-XCSX	External Input and Output PCB
UTY-XSZX	Remote Sensor



Indoor Unit UL#: 7F62
 Outdoor Unit ETL#: 3170288

Effective Date: 2/11/2021

Version 48LMAS1 -2020A

Due to continuous product improvements, specifications are subject to change without notice. Please log in to the Fujitsu Portal for the most up-to-date documentation <https://portal.fujitsugeneral.com>

FAN DATA			
Indoor Unit Airflow Rate	Cooling	High	1640
		Medium	1020
		Low	820
		Quiet	590
	Heating	High	1640
		Medium	1020
		Low	820
		Quiet	590
Outdoor Unit Airflow Rate	Cooling	2,590 (4,400)	
	Heating	2,590 (4,400)	
SOUND PRESSURE			
Indoor Unit	Cooling	High	48
		Medium	36
		Low	31
		Quiet	25
	Heating	High	47
		Medium	37
		Low	32
		Quiet	29
Outdoor Unit	Cooling	54	
	Heating	55	
REFRIGERANT			
Type	410A		
Charge	lb oz	9lb 8oz	
	g	4,300	
Oil Type	POE (RB68)		

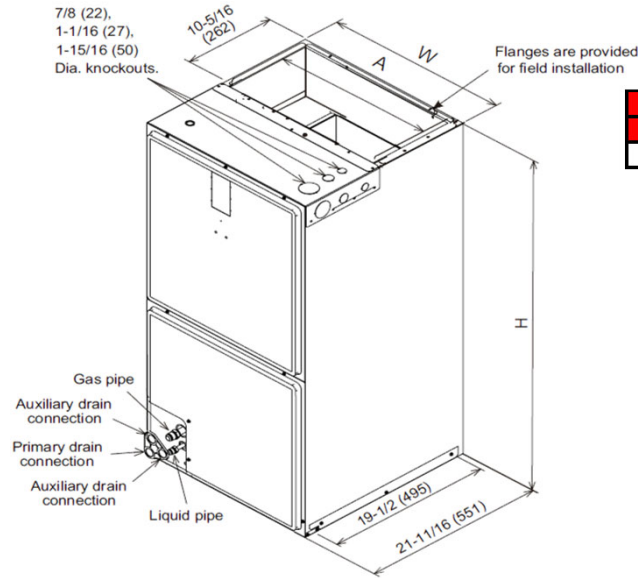
ELECTRICAL SPECIFICATIONS			
Voltage/Frequency/Phase			208-230V/60Hz/1
Voltage Range			187—253 V
Current	Cooling	Rated	24.4
	Heating	Rated	23.5
Maximum Operating Current		Cooling	32.4
		Heating	32.4
Starting Current			20.1
MCA			39.9
Maximum Circuit Breaker			40
Input Power	Cooling	Rated	5.56
		Min.—Max.	0.85 - 5.94
	Heating	Rated	5.35
		Min.—Max.	0.67 - 5.42
Power Factor	Cooling	99.1	
	Heating	99	
OTHER			
Moisture Removal		pints/h (L/h)	9.3 (4.4)
Energy Star			No
Drain hose	Material	PVC	
	Size	in (mm)	Ø 3/4 (19) [O.D.]
Operation Range	Cooling	°F (°C)	64 to 90 (18 to 32)
		%RH	80 or less
	Heating	°F (°C)	60 to 86 (16 to 30)
Static Pressure Range	in. WG		0-1.0
	Pa		20-250

The Fujitsu logo is a worldwide trademark of Fujitsu General Limited. The Halcyon logo and name is a worldwide trademark of Fujitsu General Limited and is a registered trademark in Japan, the USA and other countries or areas. Copyright 2020 Fujitsu General America, Inc. Fujitsu's products are subject to continuous improvements. Fujitsu reserves the right to modify product design, specifications and information in this brochure without notice and without incurring any obligations.

Note: Specifications are based on the following conditions:
 Cooling: Indoor temperature of 80°F (26.7°C) DB/67°F (19.4°C) WB, and outdoor temperature of 95°F (35°C) DB/75°F (23.9°C) WB. Heating: Indoor temperature of 70°F (21.1°C) DB/60°F (15.6°C) WB, and outdoor temperature of 47°F (8.3°C) DB/43°F (6.1°C) WB. Pipe length: 25ft. (7.5m), Height difference: 0ft. (0m) (Outdoor unit – indoor unit).

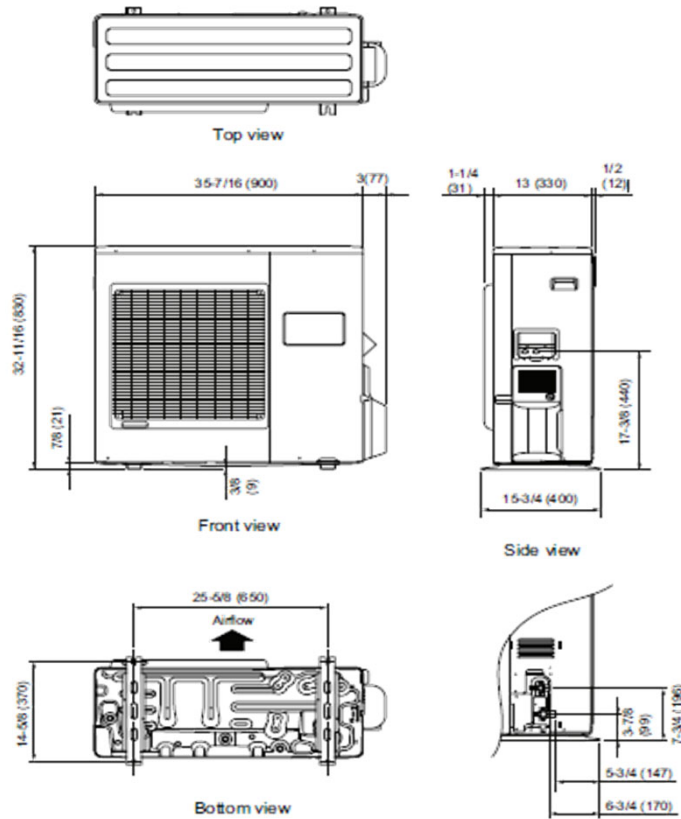
DIMENSIONS

Unit: in (mm)



Return Opening Dimensions	
Width	Depth
19 3/8	19 3/4

Model	A (Supply duct)	W (Unit width)	H (Unit height)
AMUG48LMAS	19-1/2 (495)	21 (533)	57 (1,448)



The Fujitsu logo is a worldwide trademark of Fujitsu General Limited. The Halcyon logo and name is a worldwide trademark of Fujitsu General Limited and is a registered trademark in Japan, the USA and other countries or areas. Copyright 2020 Fujitsu General America, Inc. Fujitsu's products are subject to continuous improvements. Fujitsu reserves the right to modify product design, specifications and information in this brochure without notice and without incurring any obligations.

Note: Specifications are based on the following conditions:
 Cooling: Indoor temperature of 80°F (26.7°C) DB/67°F (19.4°C) WB, and outdoor temperature of 95°F (35°C) DB/75°F (23.9°C) WB. Heating: Indoor temperature of 70°F (21.1°C) DB/60°F (15.6°C) WB, and outdoor temperature of 47°F (8.3°C) DB/43°F (6.1°C) WB. Pipe length: 25ft. (7.5m), Height difference: 0ft. (0m) (Outdoor unit – indoor unit).