

**Submittal Data:36RLXB
Inverter Driven Heat Pump**

36,000 BTU Heat Pump System

Job Name: _____

Date: _____

Location: _____

Approval: _____

Engineer: _____

Construction: _____

Submitted to: _____

Unit #: _____

Submitted by: _____

Drawing #: _____

Reference: _____

General Features

- Refrigerant Type R410A.
- Extra long piping allotment
- Wired and wireless remote controllers
- Double swing automatic
- Automatic airflow adjustment
- Economy operation
- 5- Years Parts, 7-Years Compressor Warranty (See Warranty Statement for details)
- 24 hr. Timer

Model Information

Outdoor..... AOU36RLXB
Indoor..... ASU36RLXB

Electrical..... 208/230V AC 1ph-60Hz
Available Voltage Range..... 208/230 +/- 10%
Minimum Circuit Ampacity..... 23.3 A
Max Fuse Size..... 30A
Max Starting Current..... 17 A

Input Power

Cooling..... 3.88 kW
Heating..... 3.39 kW

Running Current

Cooling..... 17 A
Heating..... 14.8 A

Capacity

Nominal Cooling..... 36,000 Btu/h
Min-Max Cooling..... 9,900 – 34,000 Btu/h
Nominal Heating..... 36,000 Btu/h
Min-Max Heating..... 10,200 – 35,000 Btu/h

Compressor..... Rotary (inv x1)

Motor Output..... 2,100 W
Refrigerant..... R410a
Charge..... 4lbs. 10.1oz
Oil..... POE (RB68)

Fan Motor

(Condenser) Type: DC Propeller x1
(Condenser) Motor Output..... 100 W
(Evaporator) Type: DC..... Cross flow fan x1
(Evaporator) Motor Output..... 65 W
Thermal Protection (On)..... 248 ± 27°F (120 ± 15°C)
Evaporator (Off)..... 302 ± 27°F (150 ± 15°C)
Condenser (On) 248 ± 27°F (120 ± 15°C) / (Off) 302 ± 27°F (150 ± 15°C)

Heat Exchanger

Dimensions
(H x W x D) in. (mm)..... 31-7/16 x 35-7/16 x 1-7/16 (798x900x36.4)
Fin Pitch..... 20 FPI
Rows x Stages..... 2 x 38
Pipe Type (Material)..... Copper
Fin Type (Material)..... Aluminum

Note: Specifications are based on the following conditions:
Cooling: Indoor temperature of 80°F (26.7°C) DB/67°F (19.44°C) WB, and outdoor temperature of 95°F (35°C) DB/75°F (23.9°C) WB.
Heating: Indoor temperature of 70°F (21.11°C) DB/59°F (15.°C) WB, and outdoor temperature of 47°F (8.33°C) DB/43°F (6.11°C) WB.
Pipe length: 24ft. 7in. (7.5m), Height difference: 0ft. (0m) (Outdoor unit – indoor unit)



Operation Temperature Range

Cooling..... 14°F (-10°C) - 115°F (-46°C)
Heating..... 5°F (-15°C) - 75°F (-24°C)

Efficiency

SEER..... 15.5
EER (cooling)..... 2.50 kW/kW
COP (heating)..... 2.94 kW/kW / 10.0 Btu/h/W
HSPF (heating)..... 9.0 Btu/h/W

Enclosure (Condenser)

Material..... Painted galvanized steel
Color..... Beige (10 YR 7.5/1.0 NN)

Sound Pressure Level

Outdoor..... 55 dB(A)
Indoor..... 50 dB(A)

Dimensions

H x W x D
Outdoor in. (mm)..... 32-11/16 x 35-7/16 x 13 (830x900x330)
Indoor in. (mm)..... 12-10/16 x 39-5/16 x 9 (320x998x228)

Connection Pipe

Liquid..... 3/8"
Gas..... 5/8"
Method (Liquid/Gas)..... Brazing
Max Length (Pre-charge)..... 164ft. (50m) / (65 ft. {20m})
Max Height Difference..... 98 ft. (30m)

Weight

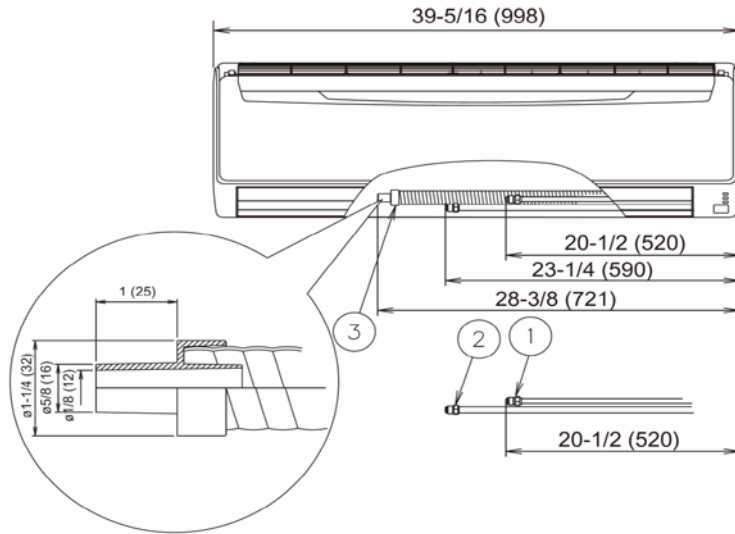
Outdoor..... 134 lbs. (61kg)
Indoor..... 31 lbs. (14kg)

Accessories

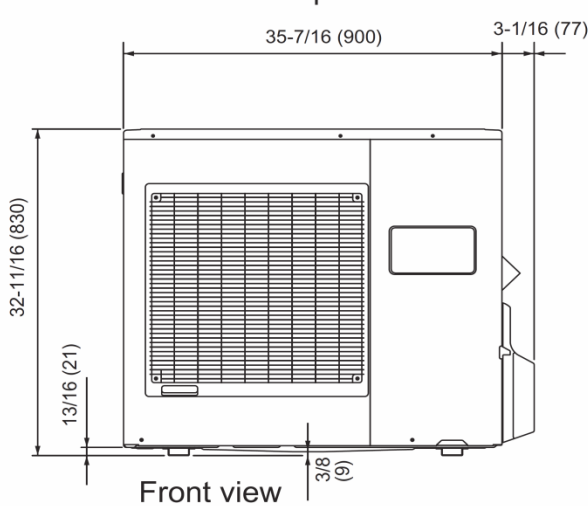
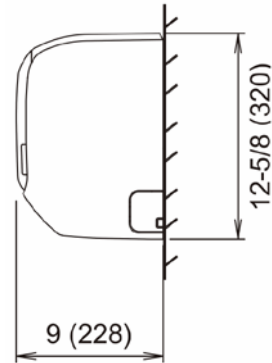
Wired Remote Controller..... UTY-RVNUM
Wired Remote Controller..... UTY-RNNUM
Simple Remote Controller..... UTY-RSNUM

Dimensions:36RLXB

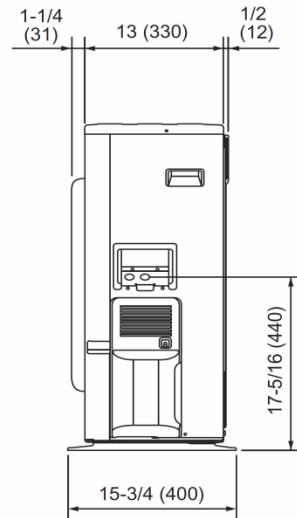
[Unit: in. (mm)]



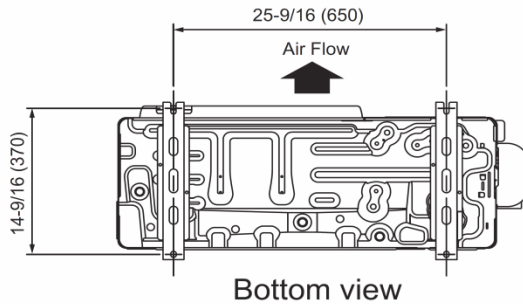
Top view



Front view



Side view



Bottom view

