



AllStyle

Coil Company, L.P



www.allstyle.com
Houston, TX 77041
713.466.6333



A*llstyle* Coil Company, L.P. commenced operations in May of 1990. From the year of 1990, factory operations grew from 40,000 sq. ft. to over 750,000 sq. ft., making *AllStyle* Coil Company the largest independent coil manufacturer in the United States.

AllStyle is owned and operated in its entirety by Mr. Lendell Martin and his family. Lendell has over 60 years of experience in the air conditioning and refrigeration industry, and holds numerous design patents. Still to this day, Mr. Martin continues working to develop new products.

Being the founder of the **Red-T Coil Company** and having operated an HVAC contracting company, Mr. Martin has a firm understanding of both the customer and contractor. Over the years, *AllStyle* has become the leader in HVAC innovation and the premier independent coil manufacturer in the AHRI Certification Program. With each innovative product, *AllStyle's* production continues to increase. *AllStyle* continues to build products of quality and durability at a competitive price. Product inventory has increased for both multi-family and residential to include a broad range of air handlers, hydronic units, gas furnaces, and heat pumps.



Manufacturing Process

The manufacturing of quality products requires a clear understanding of the market, and its needs. *AllStyle* defines a quality coil as one that meets or exceeds the manufacturers matched system design specifications.



Our products begin with material that meets stringent quality control objectives. *AllStyle* suppliers are selected by their ability to supply quality material as specified, and before shipment all materials must be inspected by the vendor to ensure they meet the necessary specifications.

Quality Coils

AllStyle coils are built to last, and are pressure tested to provide reliability. We use durable copper or aluminum tubing, and corrosion resistant aluminum end plates which are flared instead of punched. Drain pans are made from heavy duty polymer, and are resistant to corrosion and mold growth. A choice of cabinet material is available and dual drain ports are standard. *AllStyle* units are rated for both R-22 and R-410a refrigerants, a variety of coils are available to match nearly all air conditioners and heat pumps. At *AllStyle* Coil Company, L.P. we take a personal interest in every product we design, test, and manufacturer. We ensure that your home or office is comfortable, while saving you money in operating costs.





AllStyle products result from a combination of high quality material, efficient manufacturing, and superior personnel. Our fabrication machinery is regularly calibrated according to preset cycle schedules, and in-house training is provided for production personnel regularly. Our products are tested internally to ensure they meet established specifications before being shipped to the customer. The management of *AllStyle* is involved in the daily supervision of product fabrication, assembly, and testing.

All products are date coded, and are able to be tracked to the wholesale distributors. In the event a product failure is identified, the units are immediately returned to the factory for re-analysis. Any testing failures are traced directly back to their original source, and production adjustments are made, at which time a safe guard is put in place to prevent future problems. *AllStyle* recognizes how crucial the contribution of each individual employee is when it comes to successfully implementing and realizing its commitment to provide a quality product. Production personnel are trained to properly fabricate and assemble the components from start to finish. Each product goes through a stringent inspection process to ensure the highest quality component is being provided to each customer.



Proudly Made in **U.S.A**



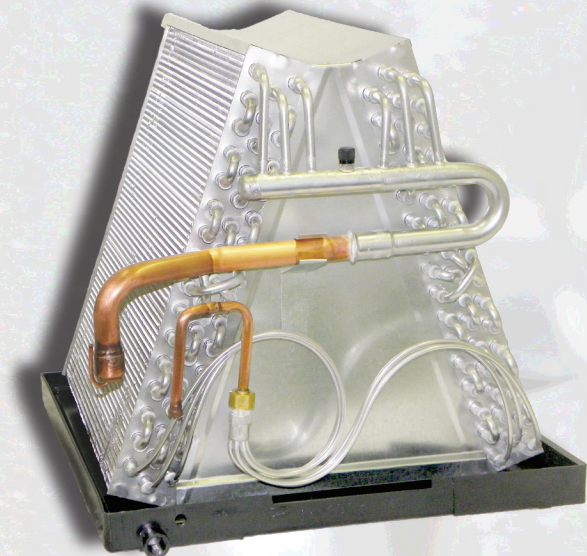
Long Term Goals

AllStyle will continue to provide innovative products to fit the needs of the current and future market. Factory expansion to support increased growth is underway with future innovations being considered.

AllStyle is a privately held corporation and invests in the future to improve the manufacturing, testing, design, and development process. This ensures superior products reach the market in a timely fashion. Looking into the future, Mr. Martin is excited to pass along his ideas and work ethic to the next generation of his family, ensuring the company's success for many years to come. AllStyle has many brand names that went through the changes of innovation, Meridain, Texas Furnace, LLC., and now Broadair commercial line. These brand names incorporates the new styles in HVAC.

AllStyle Coil Company, L.P. looks forward to many continued years of growth and success because of the solid foundation upon which the company has been built on.

AllStyle Coil



Company, L.P.



Table of Contents

Evaporator Coils

- Un - Cased Vertical Coils
ASUC (“A” & “M” Coil) 1-2
- Up - Flow Cased Coils
AS 3-4
- Horizontal Slab Coils
ASH, ASHL 5-6
- Horizontal Plenum Coils and Plenum Blower Housing
AS** (ASLT, ASLB, ASLL, ASFM, ASFL, ASKM, ASKL). 7-8
- StyleQuest Multi-Position Coils
New ASQN 9-10

Air Handlers

- Single or Multi-Family Air Handlers - Ceiling Mounted Triple Discharge
ABFT, ABKT, ABSKT, ABTK*, ABTF*, ABTSK* 11-12
- Single or Multi-Family Air Handlers - Ceiling Mounted Double Blower
HFD*, HFC* 13-14
- Single or Multi-Family Air Handlers - Wall Mounted
VL, VLN, VLDW 15-18
- Single or Multi-Family Air Handlers - Multi-Position
SLN, BLT, BLN, BLTW, BLNW 19-20
- Single or Multi-Family Air Handlers - Multi-Position Modular
ELB, EFM, WLB, WFM (Hydronic) 21-22

Mobile Home Products

- Down - Flow Mobile Home Modular Air Handler and Coil
ADFM (Air Handler), ANDF (Coil) 23-24
- Un - Cased Mobile Home Coils
ASUM 25-26
- AllStyle Mobile Home & Commercial Piggyback Package
AMCP 27-28

Commercial Coils

- Up-Flow Single Circuit and Commercial Air Handlers
ABM, ABAH 29-30
- Dual Circuit
ABH 31-32

Condensers

- 14+ Seer R-410A Air Conditioners
BC* 33-34
- AllStyle Broadair Twin Condensing Units
ABTC96, ABTC120 35-36
- Broadair Commercial RoofTop
BCRT* 37-38

Evaporator Coils

AllStyle has a variety of evaporator coils to rival any manufacturer. Each coil is carefully engineered and crafted to complement all OEM condensing units.



"A" Coil

Features:

- Pitched polymer drain pan
- Left Hand Refrigerant and drain connections
- Field installed TXV
- Coil elevated from condensate
- Long Life Aluminum or Copper tube
- Aluminum fins and end plates
- Pressure tested to 500 PSI
- Quick-Connect fittings are optional
** Add "QC" to Model number
- 3/8" Liquid Line connection
- 3/4" or 7/8" Suction Line Connections

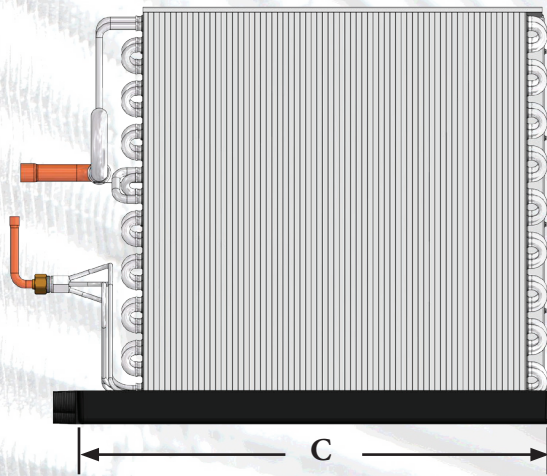
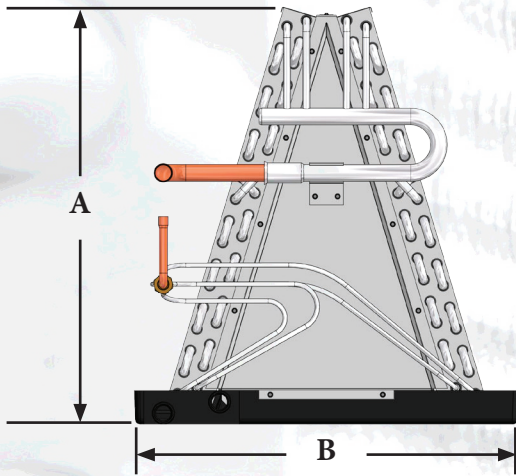
Counterflow (DOWN-FLOW) Models

Air seals must be placed on the inside of the evaporator's drain pan to prevent water blow off in several counterflow model installations.

Our Splash Guard kit is available from the local distributor. The kit contains four air seals, enough to complete two counterflow installations.

All supply ducts must be ducted below the drain pan. The drain connection should be kept 4" to 6" above the floor line to allow for rotation of a pipe fitting and for pitch of a drain line to a floor drain. It is not recommended that any coils be used in a counterflow model if the system is located directly over objects which could be damaged by condensate, such as in an installation on a second floor over a finished ceiling. If such a location is unavoidable, it is suggested that a water tight, galvanized auxiliary pan at least 2" deep and at least 2" larger in all directions than the supply plenum, be installed beneath the supply plenum. A separate drain line from the auxiliary pan to an open drain should be provided. This open drain should be visible so that any water coming from the auxiliary drain can be seen as an indicator that the primary drain is plugged.

5 - Year **LIMITED** Warranty Against Coil Leakage
5 - Year **LIMITED** Warranty Against Drain Pan Breakage

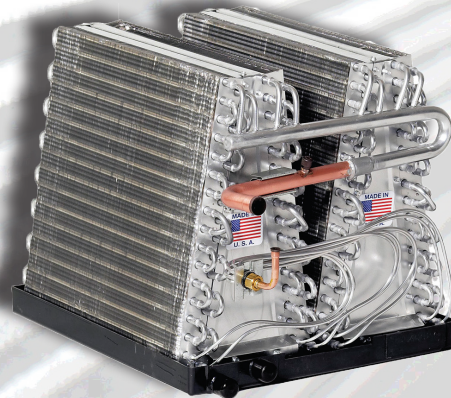


Standard "A" Un-Cased Heights

"A" Coil	Un-Cased Height	Designated Width Code
ASUCXX - A24*G	14.50"	5 - 6
ASUCXX - A26*G	16.50"	5 - 6
ASUCXX - A28*G	18.50"	6 - 7
ASUCXX - A20*G	20.50"	7 - 8
ASUCXX - A2Y*G	22.50"	7
ASUCXX - A2Z*G	24.50"	7
ASUCXX - A36*G	16.50"	7
ASUCXX - A38*G	18.50"	7 - 8
ASUCXX - A30*G	20.50"	8
ASUCXX - A3Q*G	28.50"	8
ASUCXX - A3S*G	26.50"	8
ASUCXX - A3V*G	22.50"	8 - 8A - 9
ASUCXX - A3Z*G	24.50"	8 - 8A - 9
ASUCXX - A40*G	20.50"	8 - 8A - 9
ASUCXX - A4Q*G	28.50"	8 - 8A - 9
ASUCXX - A4S*G	26.50"	8 - 8A - 9
ASUCXX - A4Y*G	22.50"	8 - 8A - 9
ASUCXX - A4Z*G	24.50"	8 - 8A - 9

Un-Cased "A" Coil Dimensions

Width Code	Un-Cased Width B	Un-Cased Depth C
5	13.00"	19.50"
6	15.00"	19.50"
7	17.00"	19.50"
8	20.00"	19.50"
8A	24.00"	19.50"
9	24.00"	19.50"



Up-Flow "M" Coil Patent Product

- Evaporator height determined by Model number and application
- Contact distributor for detailed specifications
- Specifications may change without notice

Standard "M" Un-Cased Heights

"M" Coil	Un-Cased Height	Designated Width Code
ASUCXX - M22*G	12.50"	6A - 7 - 8 - 8A - 9
ASUCXX - M24*G	14.50"	6A - 7 - 8 - 8A - 9
ASUCXX - M26*G	16.50"	7 - 8 - 8A - 9
ASUCXX - M28*G	18.50"	7 - 8 - 8A - 9
ASUCXX - M20*G	20.50"	8 - 8A - 9
ASUCXX - M2Y*G	22.50"	8 - 8A - 9
ASUCXX - M2Z*G	24.50"	8 - 8A - 9
ASUCXX - M2S*G	26.50"	8 - 8A - 9

Un-Cased "M" Coil Dimensions

Width Code	Un-Cased Width B	Un-Cased Depth C
6A	17.00"	19.50"
7	17.00"	19.50"
8	20.00"	19.50"
8A	24.00"	19.50"
9	24.00"	19.50"

Evaporator Coils

Cased Coils

Features:

- Embossed, galvanized steel case
- Long Life Aluminum or Copper tubing
- Corrosion resistant Aluminum end plates and fins
- Pressure tested to 500 PSI
- Standard polymer drain pan
- Pitched drain pan with lower Heat Shield
- Insulated cabinet with reduced fiberglass exposure
- Indented cabinet panels
- Easy opening front access panel
- Metering device accessible from cabinet exterior

Optional Features:

- Painted Case in Executive Grey
- Left/ Right Hand or Dual Port Drain Connections
- Left/ Right Hand Refrigerant Connections
- A Choice of Thermal Expansion Valves
- Heat Pump Compatible
- Different Cabinet Sizes available

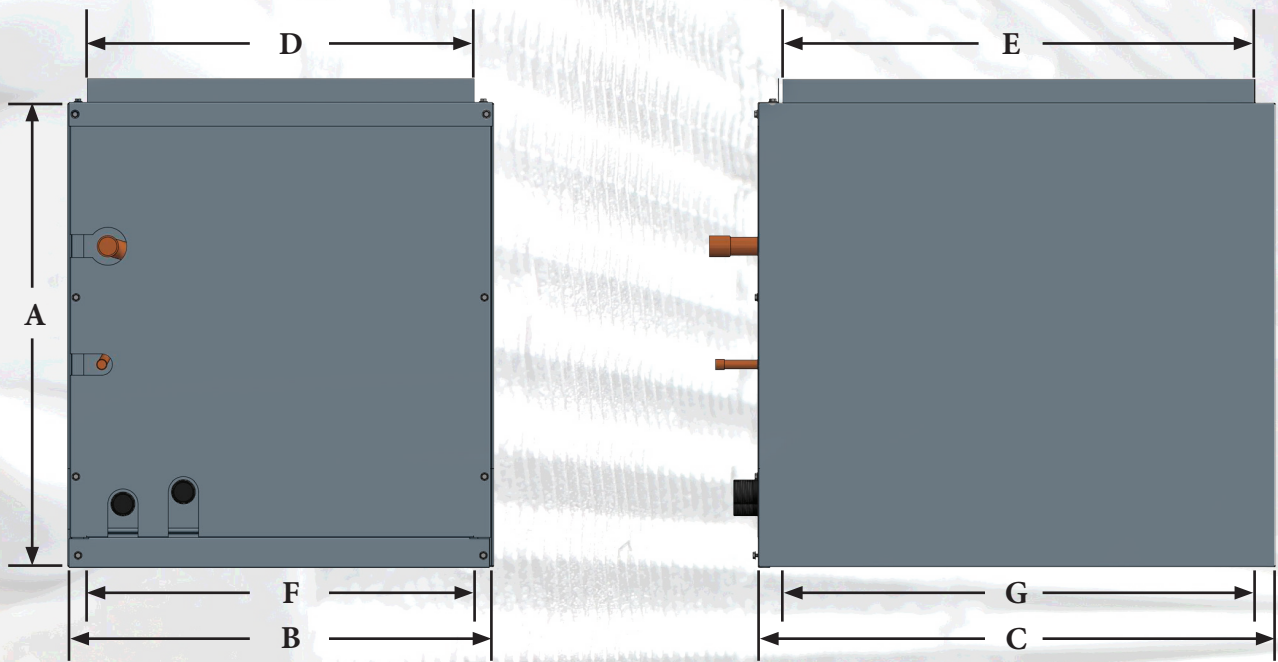
Evaporator cased coils have a variety of cabinet width sizes to fit OEM furnace manufacturers for up-flow or draw-through applications.

Superior quality and efficiency



Cased Up-Flow Sits On
Matched Manufactured
Furnaces





Cabinet Code	Cabinet Height - A				Cabinet Width B	Cabinet Depth C	Air Outlet Width D	Air Outlet Depth E	Air Inlet Width F	Air Inlet Depth G
	Coils 14" - 16"	Coils 18" - 20"	Coils 22" - 24"	Coils 26 - 30"						
5	21.25"	25.25"	---	---	14.50"	21.50"	13.75"	19.75"	13.25"	20.25"
6	21.25"	25.25"	28.75"	34.75"	16.50"	21.50"	15.75"	19.75"	15.25"	20.25"
7	21.25"	25.25"	28.75"	34.75"	17.50"	21.50"	16.75"	19.75"	16.25"	20.25"
8	---	25.25"	28.75"	34.75"	21.50"	22.25"	19.75"	19.75"	19.25"	20.25"
9	---	---	28.75"	34.75"	24.50"	22.25"	23.75"	19.75"	23.25"	20.25"
10	---	25.25"	28.75"	34.75"	21.50"	24.00"	19.75"	19.75"	19.25"	20.25"

- --- - Coil height determined by Evaporator Model and application
- Contact distributor for detailed specifications
- Specifications may change without notice

Cabinet Dimensions							
Model	Cabinet			Return		Supply	
	Height	Width	Depth	Width	Depth	Width	Depth
ABA060NI3R	31.63"	17.50"	28.81"	15.75"	18.90"	15.94"	18.94"
ABA080NI3R	31.63"	17.50"	28.81"	15.75"	18.90"	15.94"	18.94"
ABA080NI4R	31.63"	20.50"	28.81"	18.75"	18.90"	18.94"	18.94"
ABA100NI4R	31.63"	20.50"	28.81"	18.75"	18.90"	18.94"	18.94"
ABA100NI5R	31.63"	20.50"	28.81"	18.75"	18.90"	18.94"	18.94"
ABA120NI4R	31.63"	20.50"	28.81"	18.75"	18.90"	18.94"	18.94"
ABA120NI5R	31.63"	20.50"	28.81"	18.75"	18.90"	18.94"	18.94"
ABA140NI5R	31.63"	23.50"	28.81"	21.75"	18.90"	21.94"	18.94"

Evaporator Coils

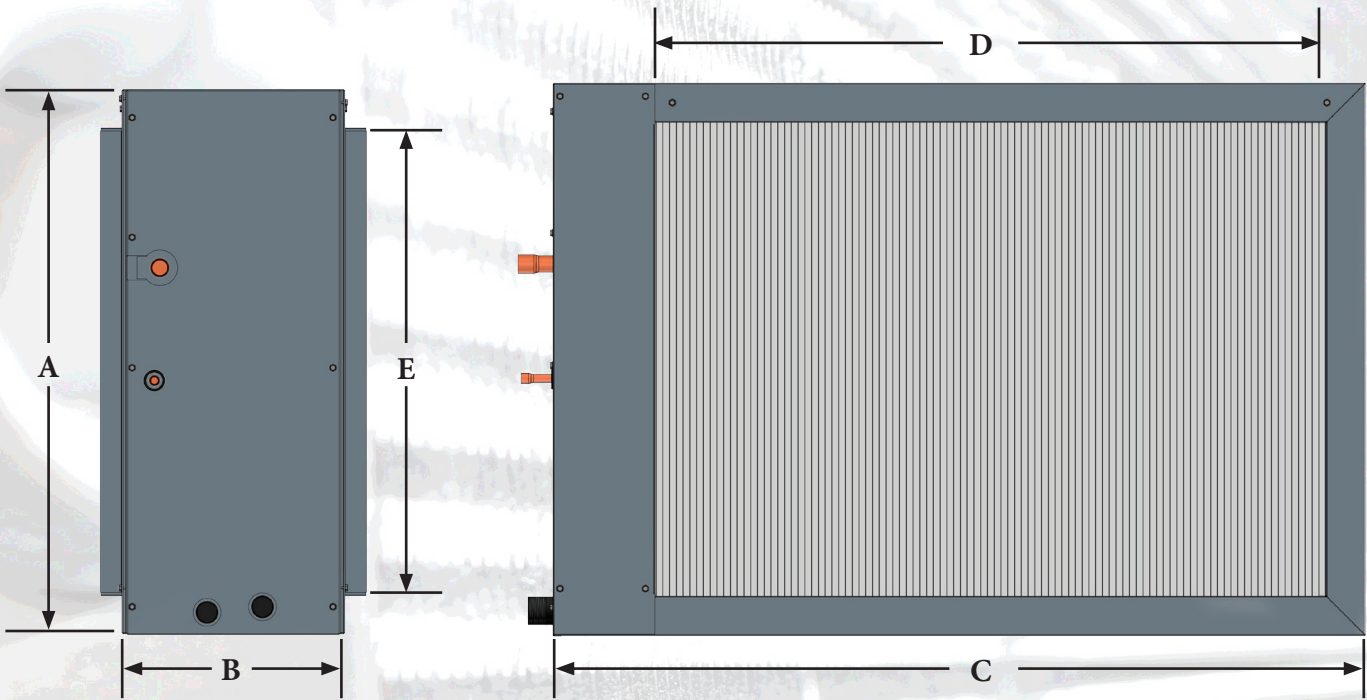
Horizontal Slab Coils

Features:

- Insulated embossed, galvanized steel case
- Long Life Aluminum or Copper tubing
- Corrosion resistant aluminum fins and end plates
- Pressure tested to 500 PSI
- Polymer drain pan
- 3/4" MPT Drain Connections
- 3/8" Liquid Line
- 3/4" or 7/8" Suction Line Connections
- Optional Factory installed Thermal Expansion Valve
- Dual rated for R-22 and R-410a
- 5 - Year Functional Parts Warranty



***Coil length sizes varies on cabinets.
Contact distributor to provide you with the proper coil length for your size
restrictions.***



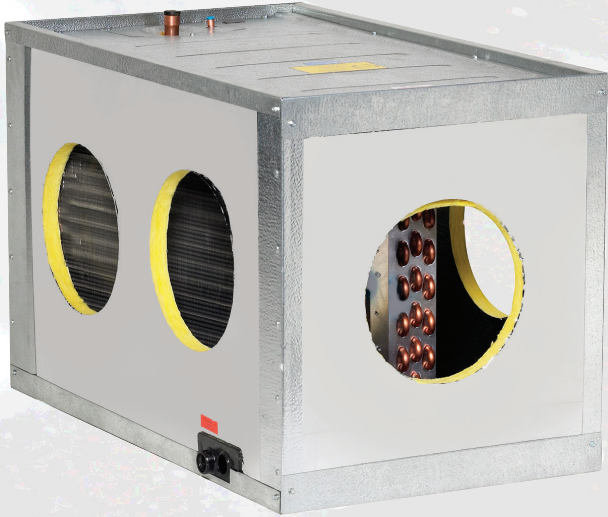
"ASH" Cabinet Dimensions						
Cabinet Code	Coil Selection	Cabinet Height - A	Cabinet Width - B	Cabinet Length - C	Plenum Length - D	Plenum Height - E
5	ASHXX - 17XXT - 5	24.50"	10.00"	23.00"	16.00"	21.00"
5B	ASHXX - 20XXT - 5B	24.50"	10.00"	25.00"	16.00"	21.00"
6	ASHXX - 24XXT - 6	24.50"	10.00"	31.00"	24.00"	21.00"
6B	ASHXX - 28XXT - 6B	24.50"	10.00"	33.00"	24.00"	21.00"
7	ASHXX - 30XXT - 7	24.50"	10.00"	36.00"	30.00"	21.00"
7B	ASHXX - 34XXT - 7B	24.50"	10.00"	38.50"	34.00"	21.00"

"ASHL" Cabinet Dimensions						
Coil Model	Nominal Tonnage	Cabinet Height - A	Cabinet Width - B	Cabinet Length - C	Plenum Length - D	Plenum Height - E
ASHL24 - 2626T	2.0	20.50"	10.00"	31.00"	20.00" - 22.00"	17.00"
ASHL36 - 2634T	3.0	20.50"	10.00"	31.00"	20.00" - 22.00"	17.00"
ASHL48 - 3034T	4.0	20.50"	10.00"	33.00"	20.00" - 22.00"	17.00"
ASHL60 - 3042T	5.0	20.50"	10.00"	33.00"	28.00"	17.00"

Evaporator Coils

Horizontal Plenum Coils

Plenum Coil with cut - outs
Patent Product

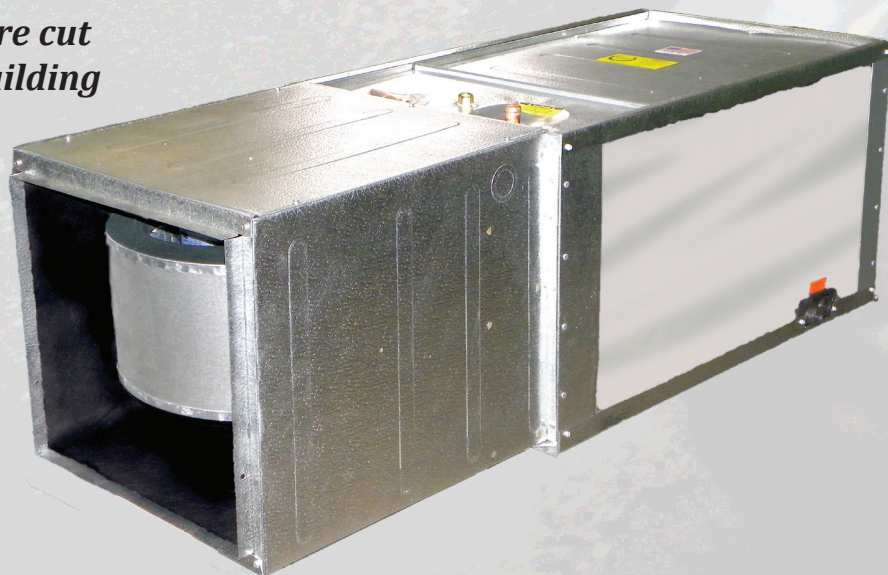


Features:

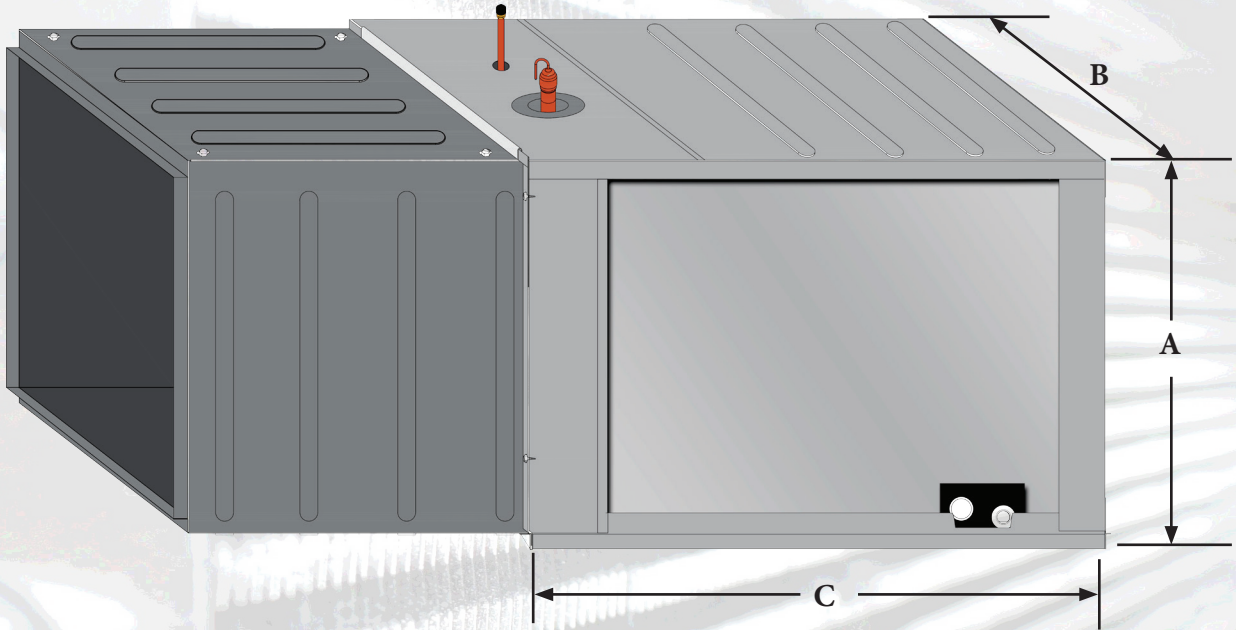
- Cleanable, mold-resistant interior surface
- Fiberglass removed from the air stream
- Pitched, polymer drain pan elevates coil from the condensate
- Top Left and Right Refrigerant drain connections
- Superior air flow compared to other Horizontal coils
- Easily removable top panel with locking air seal and K.O. for UV light

- Factory installed Thermal Expansion Valve
- Rated for R-22 and R-410a
- Long Life Aluminum or Copper Tube option
- Enhanced Aluminum Fins
- Heavy, Aluminum end plates vs. galvanized steel
- Pressure tested to 500 PSI
- Plenum coil combines an adjustable inlet adapter, cooling coil, and supply plenum into one easy install
- Fits furnace 17" to 23" wide (Adjustments plates included)
- Horizontal Plenum Coils may be combined with other units
- Blower Housing sold separately

**Plenum Duct holes are cut
by contractors per building
specifications**



**Plenum Coils feature convenient modular construction
to facilitate installation & maintenance**
**May be also combined with an
AllStyle blower housing with optional electric heat, hydronic,
or installed with a gas furnace**

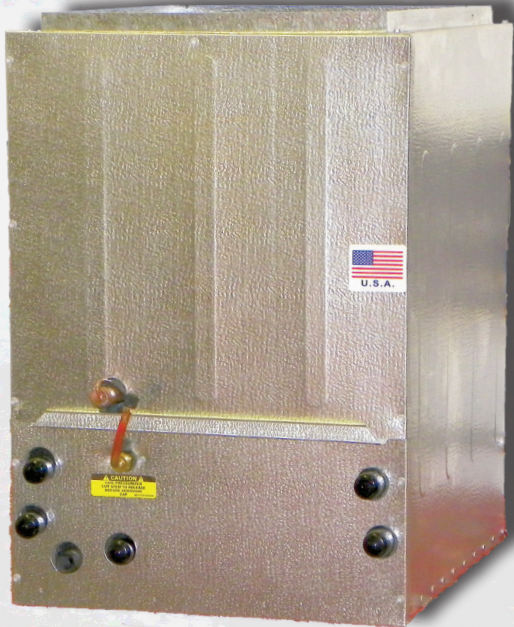


Model	Cabinet Height - A	Cabinet Width - B	Cabinet Length - C	Return Height	Return Width
ASLT	18.25"	20.25"	26.25"	13.00" x 18.00"	16.00" x 20.25"
ASLB	18.25"	20.25"	34.375"	13.00" x 18.00"	16.00" x 20.25"
ASLL	18.25"	20.25"	40.375"	13.00" x 18.00"	16.00" x 20.25"
ASFM	22.25"	20.25"	34.375"	17.00" x 21.00"	16.00" x 20.25"
ASFL	22.25"	20.25"	40.375"	17.00" x 21.00"	16.00" x 20.25"
ASKM	26.25"	20.25"	34.375"	21.00" x 23.00"	16.00" x 20.25"
ASKL	26.25"	20.25"	40.375"	21.00" x 23.00"	16.00" x 20.25"

Blower Housing Dimensions			
Blower Housing	Blower Housing Height	Blower Housing Width	Blower Housing Depth
EPL 1.5 - 3	17.00"	17.00"	20.75"
EPM 3.5 - 4	19.00"	19.00"	24.00"
EPM 5	19.00"	19.00"	24.00"
EPK 5	19.00"	19.00"	24.00"
Hydronic Blower Housing Dimensions			
WPL 2 - 3	17.00"	17.00"	17.00"
WPM 4	19.00"	19.00"	18.00"
WPK 5	19.00"	19.00"	18.00"

Evaporator Coils

New StyleQuest Multi-Position Coils



New StyleQuest Multi-Position Coil
The AllStyle Patent Product
is the Only Coil that is Multi-Position
Left, Right, or Up-Flow

Features:

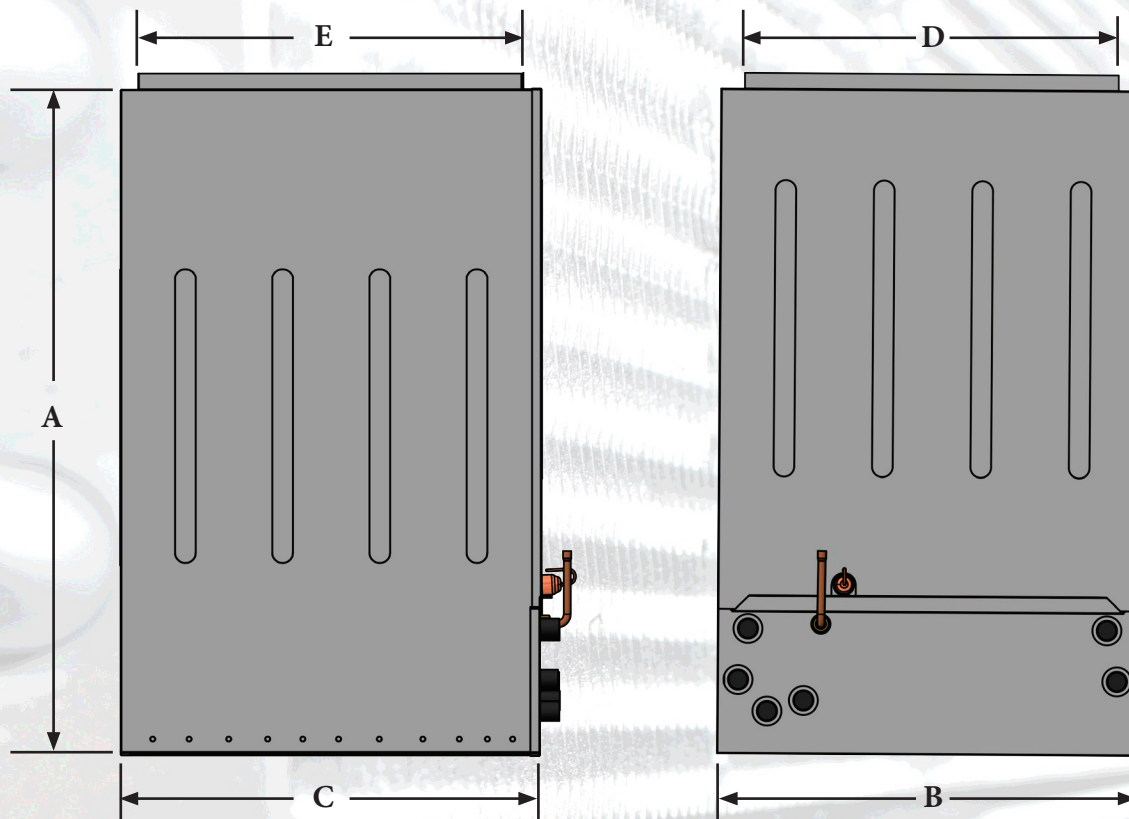
- Multi-Position - Up-Flow, Horizontal Right or Horizontal Left
Order the desired configuration
- Fully insulated embossed, galvanized cabinet
- Polymer drain pans (Horizontal Left, Right, and Vertical)
- Dual drain connections on each drain pan
- Long Life Aluminum or Copper tube option
- Aluminum fins and end plates
- Orifice Refrigerant Metering, Standard

Optional Features:

- Thermal Expansion Valves
- Powder painted cabinet
- Heat Pump application
- Splash Guards
- Optional Painted Cabinet or Embossed
Galvanized Steel

*New StyleQuest Multi-Position Coil
May be applied with combined units
AllStyle Modular Air Handler with
Electric Heat or Gas Furnace*



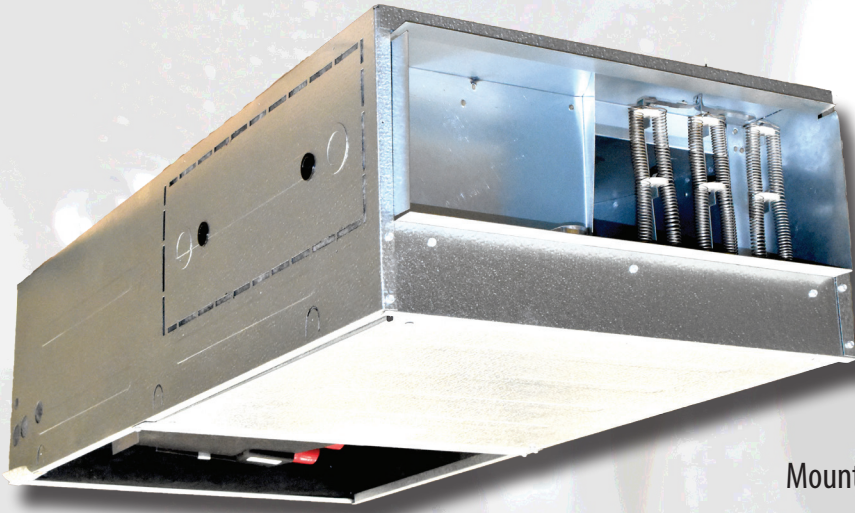


Cabinet Code	Cabinet Height - A				Cabinet Width B	Cabinet Depth C	Opening Width D	Opening Depth E	Drain Conn. MPT	Liquid Line Conn.	Suction Line Conn.
	Coils 14" - 16"	Coils 18" - 20"	Coils 22" - 24"	Coils 26 - 30"							
ASQN - 5	21.25"	25.25"	---	---	14.50"	21.50"	13.00"	20.25"	3/4"	3/8"	3/4" - 3/4"
ASQN - 6	21.25"	25.25"	28.75"	34.75"	16.50"	21.50"	15.00"	20.25"	3/4"	3/8"	3/4" - 3/4"
ASQN - 7	21.25"	25.25"	28.75"	34.75"	17.50"	21.50"	16.00"	20.25"	3/4"	3/8"	3/4" - 7/8"
ASQN - 8	---	25.25"	28.75"	34.75"	21.50"	21.50"	19.00"	20.25"	3/4"	3/8"	3/4" - 7/8"
ASQN - 9	---	---	28.75"	34.75"	24.50"	21.50"	23.00"	20.25"	3/4"	3/8"	3/4" - 7/8"

- Specify *StyleQuest* Cabinet When Ordering
- Specify *Right* or *Left* Drain Pan and Refrigerant
- *5 Cabinet accommodates (1) Horizontal drain pan Only (RH or LH)
- **6 - 9 Cabinet accommodates (2) Horizontal drain pans, if desired
- ***For a **Single** Drain Pan, Place a "Q1" before the Cabinet Code
- ***For **Two** Drain Pans, Place a "Q11" before the Cabinet Code
- Specifications May Change Without Notice

Single or Multi-Family Air Handlers

Ceiling Mounted Air Handlers

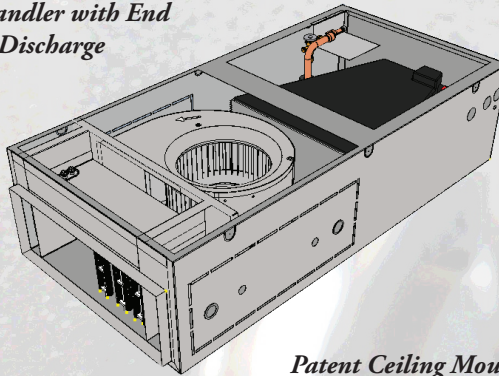


Mounted "AB*" Air Handlers
Patent Product

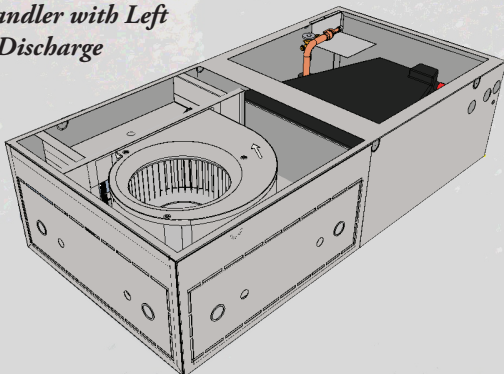
Features:

- Designed for installation in a furred down or dropped ceiling area with a Triple Discharge Option
- Cooling Only, Cooling and Electric Heating, or Heat Pump with Electric back up
- Optional factory installed Electric Heat of either 3, 5, 6, 8, or 10 kW
- Orifice Refrigerant metering is standard with Thermal Expansion Valves optional

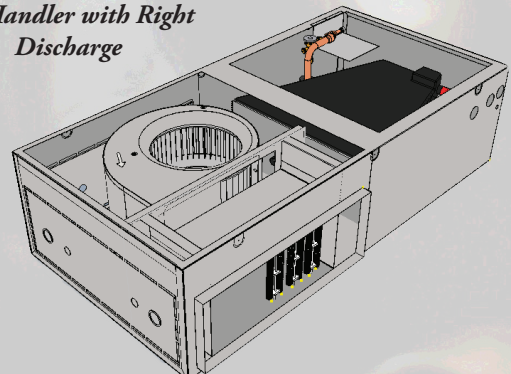
*Patent Ceiling Mounted
Air Handler with End
Discharge*

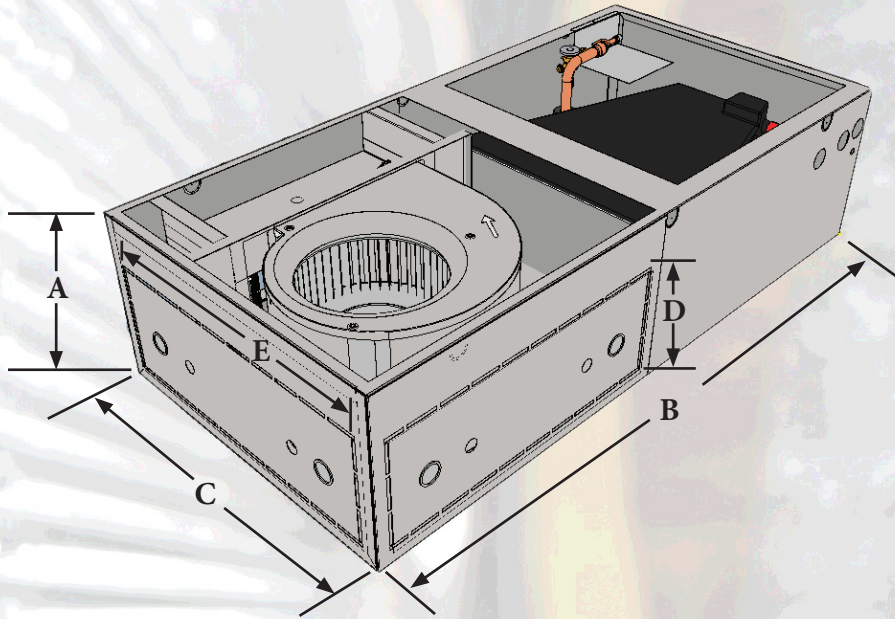


*Patent Ceiling Mounted
Air Handler with Left
Discharge*



*Patent Ceiling Mounted
Air Handler with Right
Discharge*





- Polymer drain pan
- Standard built-in Internal Filter Rack in Louvered Panel Only
- Pre-punched side mounting tabs for easier installations
- Long Life Aluminum or Copper tube
- Aluminum fins and end plates
- Powder coated, hinged access panels must be ordered separately
- Fully insulated embossed, galvanized steel cabinets
- Coil Cover for Return End Supply (Ordered Separately)
- Manufactured for 9ft. and 10ft. ceilings.

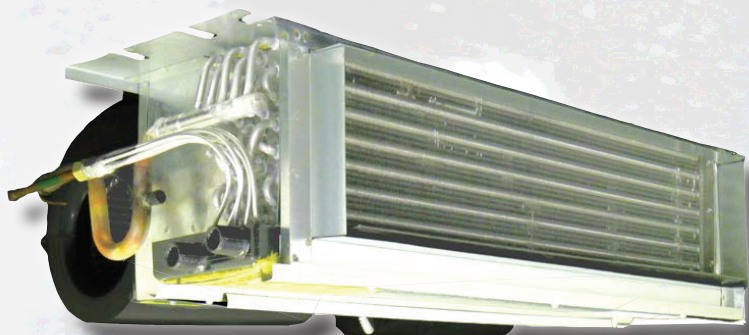
Cabinet Dimensions									
Model	Cabinet Height A	Cabinet Length B	Cabinet Width C	Plenum Height D	Plenum Width E	Optional Return Opening	Access Grille Width	Access Grille Length	Filter Size
ABFT	12.00"	47.00"	22.50"	7.25"	21.25"	21.25" x 7.25"	27.25"	51.25"	20.00" x 20.00"
ABKT	12.00"	51.00"	22.50"	7.25"	21.25"	21.25" x 7.25"	27.25"	55.25"	20.00" x 20.00"
ABSKT	12.00"	57.00"	22.50"	7.25"	21.25"	21.25" x 7.25"	27.25"	61.25"	20.00" x 25.00"

- Specifications may change without notice

Cabinet Dimensions									
Model	Cabinet Height A	Cabinet Length B	Cabinet Width C	Plenum Height D	Plenum Width E	Optional Return Opening	Access Grille Width	Access Grille Length	Filter Size
ABTK	20.00"	51.00"	22.50"	12.25"	21.25"	21.25" x 12.25"	27.25"	55.25"	20.00" x 20.00"

Single or Multi-Family Air Handlers

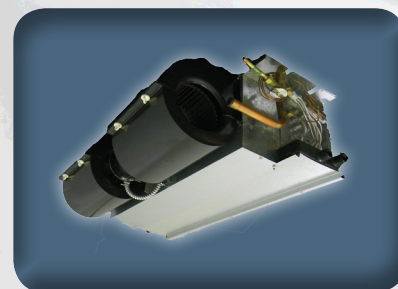
Double Blower Ceiling Mounted Air Handlers



Easy access to service lines

Features:

- Designed for concealed installation in furred down ceilings
- Applications in A/C and Heat Pump
- Requires a Sealed Return Air Space
- Optional Long Life Aluminum or Copper
- Unique polymer blower scroll separates for easy blower wheel and motor removal
- Corrosion resistant polymer drain pan
- DX Coil, Electric Heat, motor, blower wheel, and polymer drain pan are all serviceable from the bottom
- Rugged, durable, and easy to service



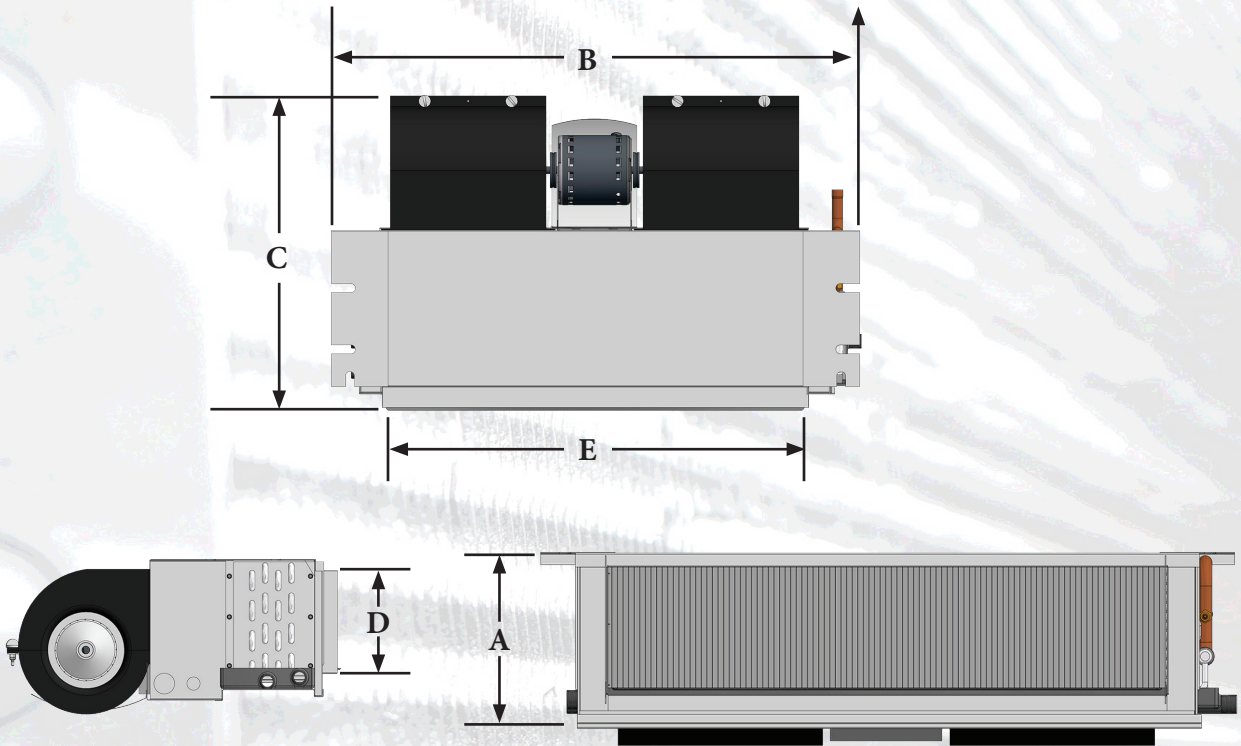
Blower Housing is easily removable for blower motor access.

Optional Features:

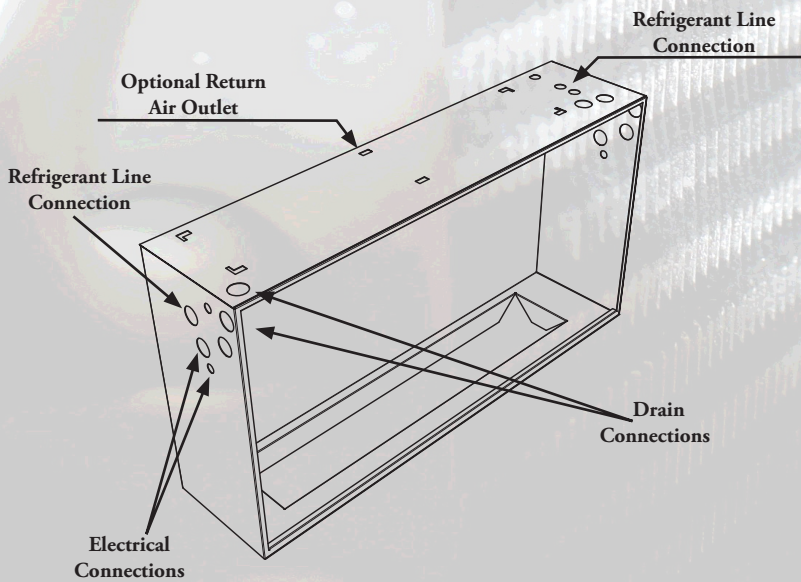
- White, powder coated, solid or louvered hinged access panels with mounting screws
- Insulated housing, factory or field installed, allows for ducted return air plenum
- A/C or heat pump TXV in R-22 or R-410a, factory or field installed

Ceiling Panel/Enclosure Information

Coil	Housing No.	Housing Dimensions			For Model	Panel No.	Description	Ceiling Panel Opening		Panel Frame Dims. (Outside)	
		H	W	D							
30" Coil	PL-3975	11"	39 3/4"	24"	HF* 12, 18, 24, 30	PL-3975	LOUVERED	24 1/2"	40"	28"	43 3/4"
						PS-3975	NON-LOUVERED	24 1/2"	40"	28"	43 3/4"
36" Coil	PL-4575	11"	45 3/4"	24"	HF* 36	PL-4575	LOUVERED	24 1/2"	46"	28"	49 3/4"
						PS-4575	NON-LOUVERED	24 1/2"	46"	28"	49 3/4"
42" Coil	PL-5175	11"	51 3/4"	24"	HF* 37	PL-5175	LOUVERED	24 1/2"	52"	28"	55 3/4"
						PS-5175	NON-LOUVERED	24 1/2"	52"	28"	55 3/4"



Cabinet Dimensions					
MODEL	Cabinet Height - A	Cabinet Width - B	Cabinet Depth - C	Plenum Height - D	Plenum Width - E
HFD* 18 - 24	10.00"	37.25"	20.50"	7.00"	30.00"
HFD* 18 - 30	10.00"	43.25"	20.50"	7.00"	36.00"
HFD* 18 - 36	10.00"	49.25"	20.50"	7.00"	42.00"



KNOCKOUT FOR DUCTED RETURN

Requires filter grille (field supplied)
 Ducted return requires non-louvered panel

Single or Multi-Family Air Handlers

Wall Mounted Air Handlers

Features:

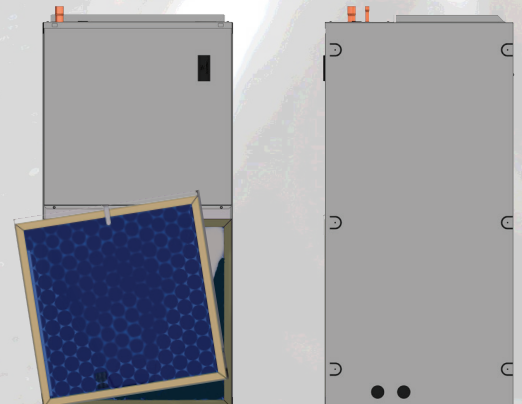
- Vertical Up-Flow application
- Front Return Air or Bottom Return
- Fully insulated cabinet
- Tabs for stud or wall mounting are stamped into cabinet exterior
- Long Life Aluminum or Copper DX Coils
- Aluminum fins and end plates
- 1.0 to 3.0 Tons Cooling Capacity
- 3/4" MPT Primary and Secondary drains
- 3/8" Liquid Refrigerant Line
- 3/4" or 7/8" Suction Refrigerant Line
- 208/ 230 VAC operation
- Polymer drain pan

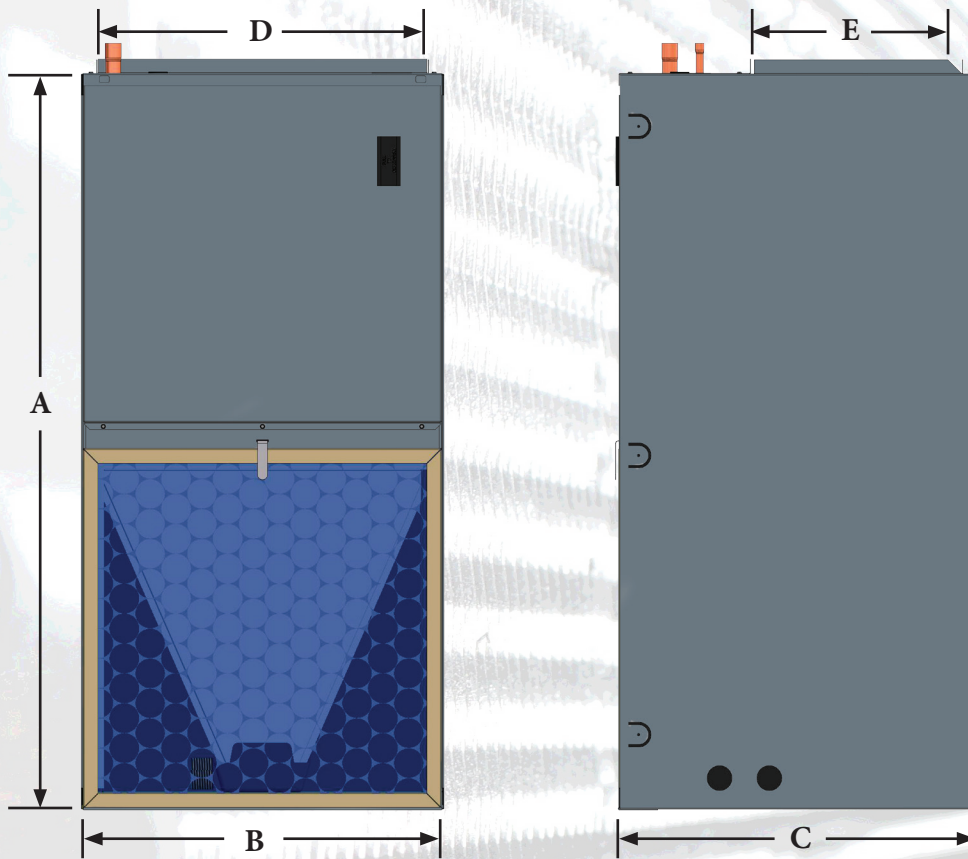
Optional Features:

- Factory or field install Heat Pump TXV and Check Valve
- Solid, Lower Coil panel for Bottom Return
- Front Return Grilles
- Factory installed Electric Heat, Disconnect, and Float Switch
- *Freeze - Stat or Enter Water T - Stat



*Easy slide in filter to replace
bottom insulation board
Solid panel easily installed with
thumb screws*

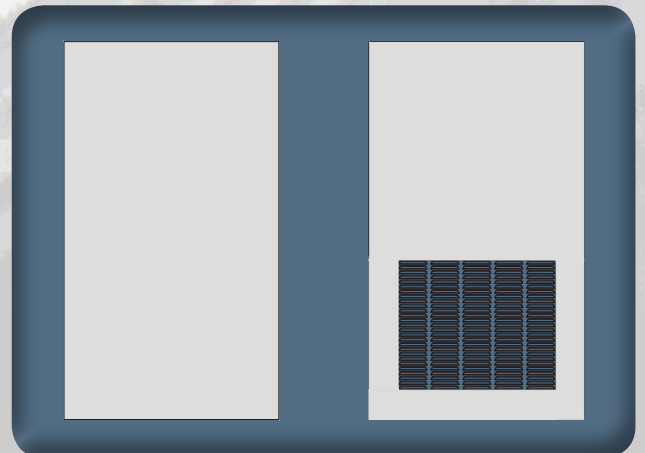




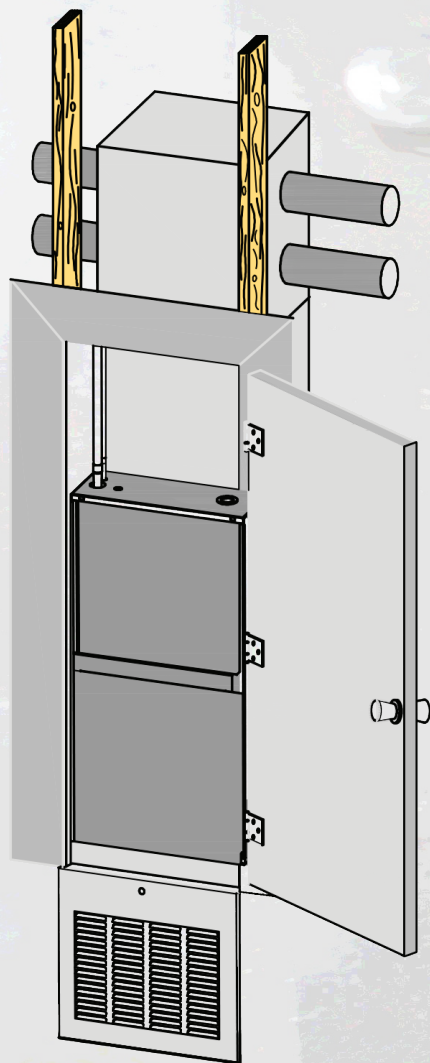
Cabinet Dimensions						
Model	Cabinet Height - A	Cabinet Width - B	Cabinet Depth - C	Plenum Width - D	Plenum Depth - E	Filter Size
VL 18 - 24	37.00"	18.25"	18.25"	16.50"	10.50"	18" x 18" x 1"
VLN 18 - 36	40.00"	19.75"	21.50"	18.25"	15.50"	20" x 20" x 1"
VLDW 18 - 36	40.00"	19.75"	23.00"	18.25"	16.00"	20" x 20" x 1"

- 20" x 20" Filter for Front and Bottom Return

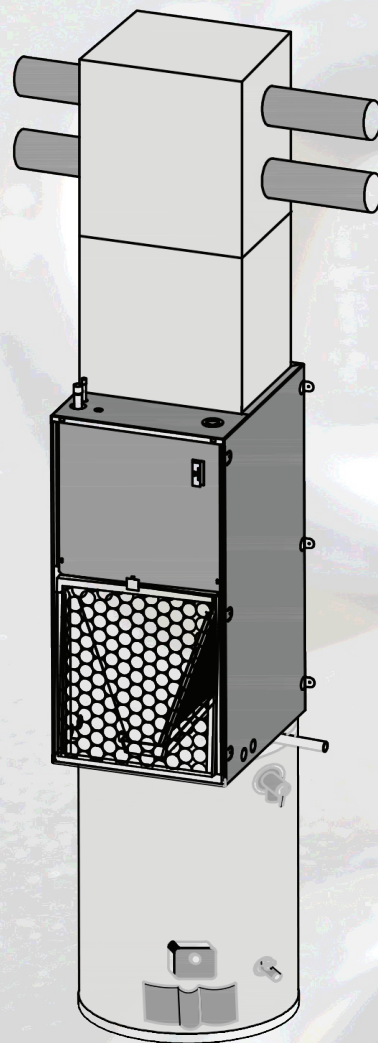
Optional Return Grille		
Model	Height	Width
Unit Mounted Grilles		
RTS - 1AS (VL)	41.75"	22.75"
RTS - 2AS (VL*)	44.75"	24.75"
Wall Mounted Grilles		
RTU - 1AS (VL)	41.75"	22.75"
RTU - 2AS (VL*, VL*W)	44.75"	24.75"



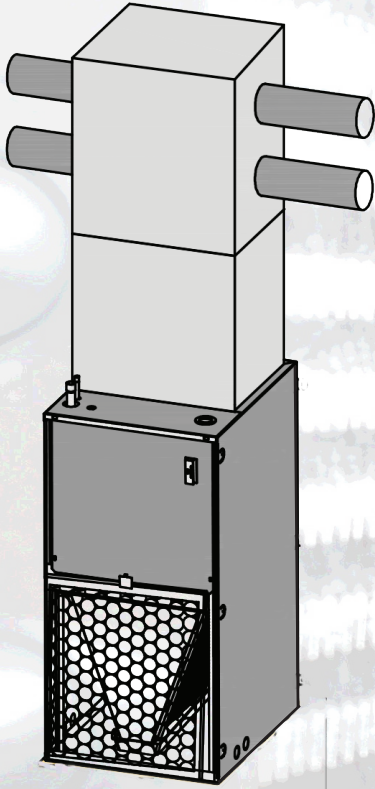
VL* Applications



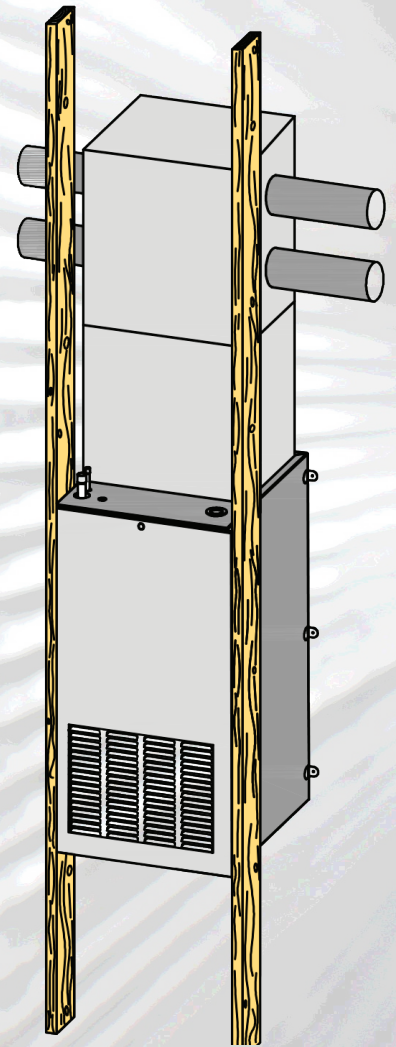
VLN installed
into the closet for
Bottom Return.
Door must be
ordered for bottom
return.



VLN installed
above a water
heater shipped with
hanging bracket
with front return
or bottom return.
*(Bottom return must
be ordered with door)*



VLN shipped with hanging bracket with front return or bottom return. *(Bottom return must be ordered with door)*



VLN stud mount with louvered filter grille

Single or Multi-Family Air Handlers

Multi-Position Air Handler



Multi-Position Air Handlers
Patent Product

Features:

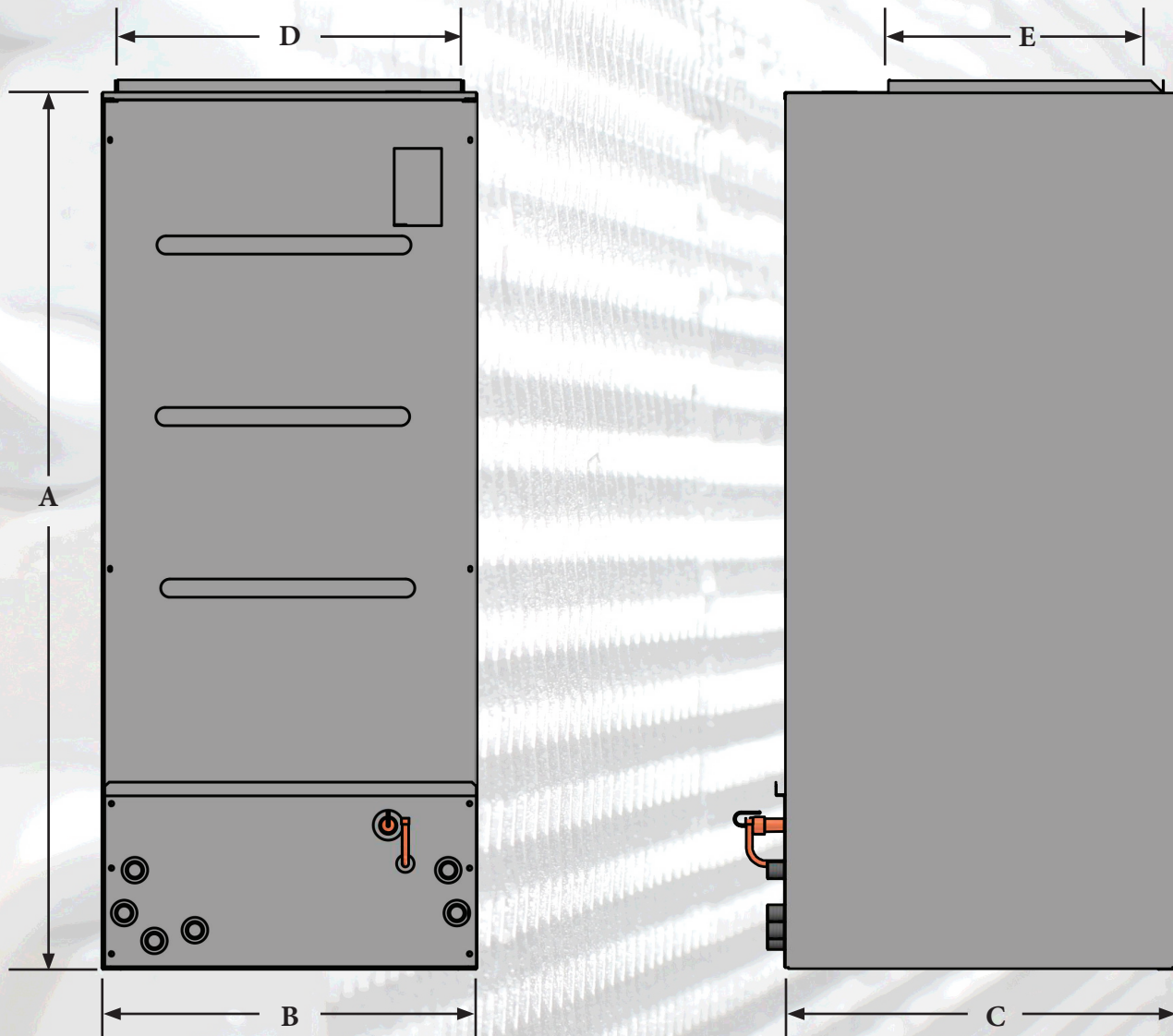
- Multi-Position - Up-Flow, Horizontal Right or Horizontal Left
- Polymer drain pan
- Attractive, powder painted exterior
- Fully insulated cabinet
- 208/ 230 VAC operation
- Multi-Speed Direct Drive Blower
- SLN* air flow from 600 to 1200 CFM
- BLT* air flow from 1200 to 2000 CFM
- BLN* air flow from 1200 to 2000 CFM

Optional Features:

- Factory installed Thermal Expansion Valve
- Optional factory installed Electric Heat
3, 5, 6, 8, 10, 15, or 20 kW
- Electrical Breakers is standard with 15 and 20 kW heaters
- Slide in Long Life Aluminum or Copper DX Coils available
- Field installed Heat kits available from 3 kW - 20 kW



- The AllStyle Multi-Position Air Handler is a Patent Product that has 3x Durable Polymer Drain Pans for Left, Right, or Up-Flow
- Multi-Position Air Handler provides you with various options for installation when encountering size restrictions
- Deeper Coil - More Efficiency



Cabinet Dimensions					
Model	Cabinet Height - A	Cabinet Width - B	Cabinet Depth - C	Supply Width - D	Supply Depth - E
SLN 18 - 48	48.00"	20.50"	22.00"	19.00"	16.00"
BLN 36 - 60	54.00"	21.50"	26.50"	20.00"	19.25"
BLT 36 - 60	56.00"	21.50"	23.00"	20.00"	19.00"

Single or Multi-Family Air Handlers

Multi-Position Modular Air Handler

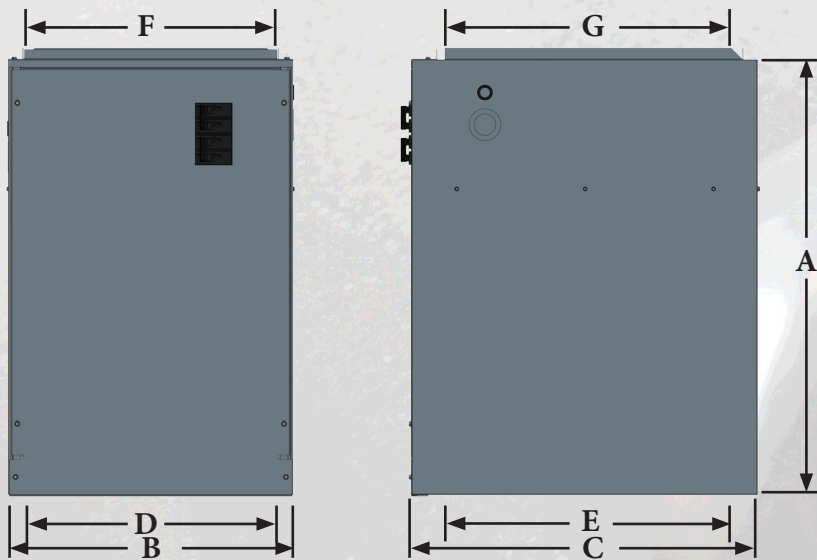
Features:

- Multi-Position Modular Air Handler
- Cabinet matches with AHRI Rated Coils
- Powder painted exterior
- Compact design
- 208/ 230 VAC operation
- 24 volt Control Transformer
- Fully insulated cabinet interior
- Aluminum or Copper tube
- Modular Air Handlers may be combined with other units with Electric Heat



Optional Features:

- Electric Heat 3, 5, 6, 8, 10, 15, or 20 kW
- Twin Circuit protection provided on 15 & 20 kW models
- Field installed Heat kits available from 3 kW - 20 kW
- Optional Painted Cabinet or Galvanized Steel



Blower A/C Capacity
2D - 1.5 to 2.0 Tons
3D - 2.5 to 3.0 Tons
4D - 3.5 to 4.0 Tons
5D - 5.0 Tons

Cabinet Dimensions							
Model	Cabinet Height - A	Cabinet Width - B	Cabinet Depth - C	Return Width - D	Return Depth - E	Supply Width - F	Supply Depth - G
ELB 2D - 3D	25.00"	17.25"	21.50"	17.25"	19.50"	16.75"	19.25"
EFM 4D - 5D	25.00"	21.25"	21.50"	19.50"	19.50"	19.50"	19.25"

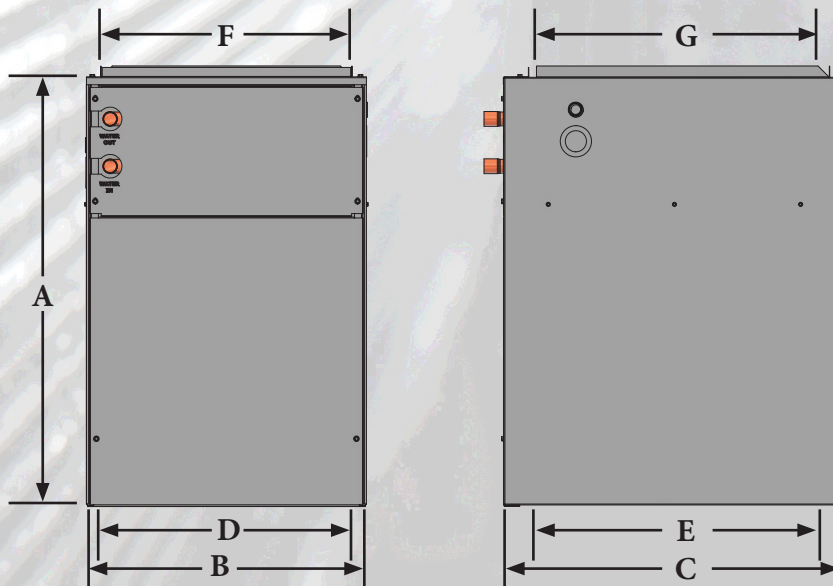
Multi-Position Modular Hydronic Air Handler

Features:

- Multi-Position Modular Hydronic Air Handler
- Cabinet Matches with ARI Rated Coils
- Powder Painted Exterior
- Compact Design
- Specify 115 VAC
- Control Transformer
- Pump Relay & 2 Speed Fan Relay
- Fully Insulated Cabinet Interior
- Connections to Hot Water Heating Coil are Manufactured on the Front of the Heating Unit

Optional Features:

- Entering Water Temp, Thermostat
- Freeze-Stat



Cabinet Dimensions							
Model	Cabinet Height - A	Cabinet Width - B	Cabinet Depth - C	Return Width - D	Return Depth - E	Supply Width - F	Supply Depth - G
WLB 2D - 3D	25.00"	17.25"	21.50"	16.75"	19.50"	16.25"	19.25"
WFM 4D - 5D	25.00"	21.25"	21.50"	19.50"	19.50"	19.50"	19.25"

Mobile Home Products

Mobile Home Modular Air Handlers

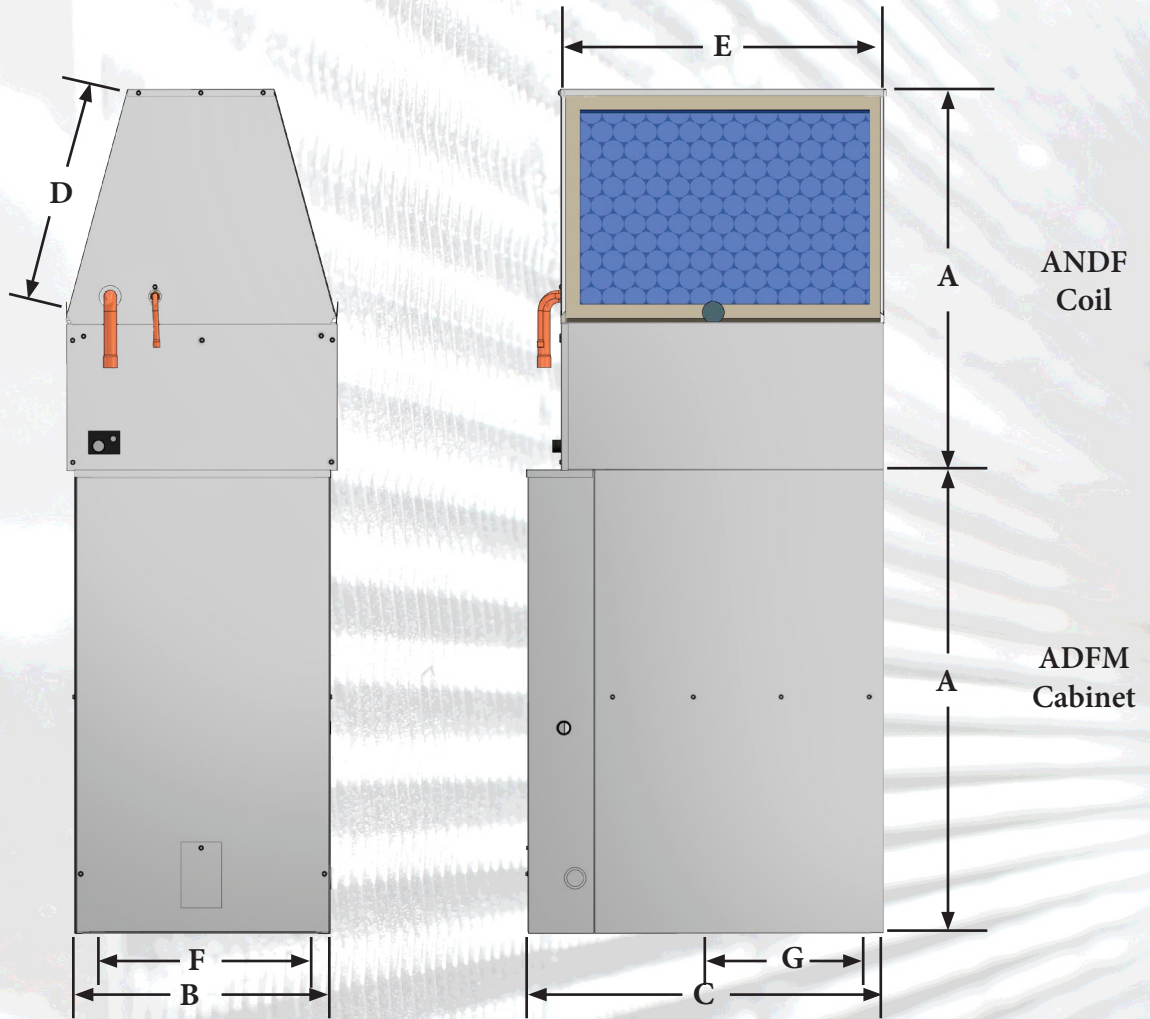
Features:

- Designed specifically for Mobile Home use
- Down-Flow application
- 3.0 - 5.0 Ton Capacity
- Available with Electric Heat up to 20 kW
- High Efficiency Long Life Aluminum or Copper DX Coils
- Attractive, powder coated painted exterior
- Field installation Heat kits available from 3 kW - 20 kW



Blower A/C Capacity
3D - 2.5 to 3.0 Tons
4D - 3.5 to 4.0 Tons
5D - 5.0 Tons

RP54003	Drain Pan Replacement
RP21056	Front Louvered Panel Coil Cover
RP21061	Front Louvered Panel Coil Cover
Filter 3D-4D	(2) - 16 x 20 x 1
Filter 5D	(2) - 20 x 20 x 1



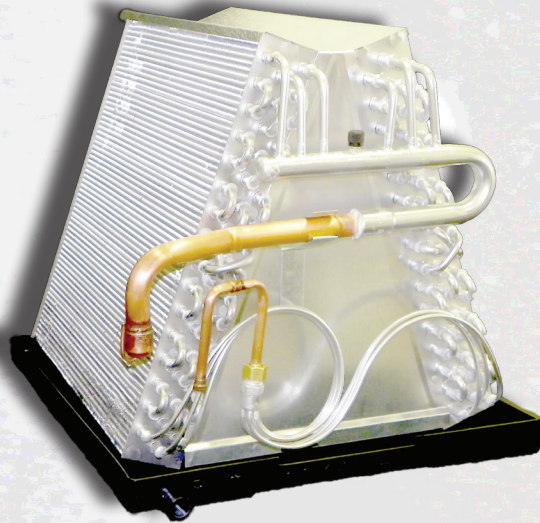
ADFM Cabinet & ANDF Coil Dimensions							
Model	ADFM Cabinet			Return/ Filters (x2)		Supply (Downflow)	
	Height - A	Width - B	Depth - C	Width - D	Depth - E	Width - F	Depth - G
ADFM - 2D - 3D	29.50"	17.50"	23.75"	16.00"	20.00"	15.50"	16.00"
ADFM - 4D - 5D	29.50"	19.75"	23.75"	16.00"	20.00"	15.50"	16.00"
ANDF Coil							
ANDF 2D - 3D	22.00"	17.50"	20.25"	16.00"	20.00"	15.50"	16.00"
ANDF 4D - 5D	30.00"	19.75"	20.25"	20.00"	20.00"	15.50"	16.00"

• Note: ADFM Air Handlers & the ANDF Coil are ordered separately to provide a variety of options

Down-Flow Mobile Home Drives
ADFM-2D (1/3 HP)
Use ADFM-2D for 2 Ton Applications
ADFM-4D (1/2 HP)
Use ADFM-4D for 3-4 Ton Applications
ADFM-5D (3/4 HP)
Use ADFM-5D for 5 Ton Applications

Mobile Home Products

Un-Cased Mobile Home Coils

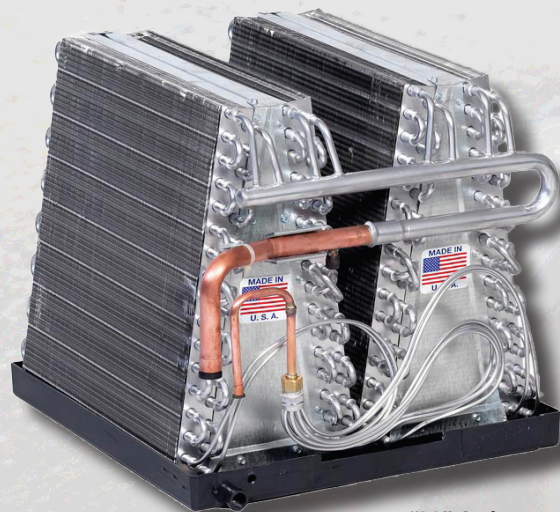


Standard Un-Cased Mobile Home Coil

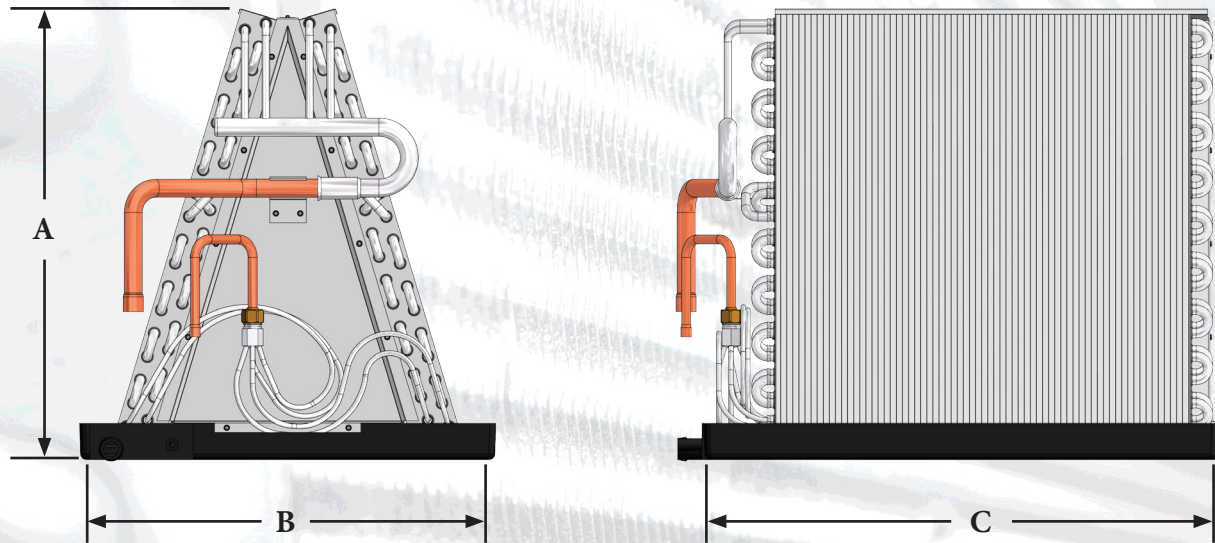
Features:

- Pitched polymer drain pan
- Left Hand refrigerant and drain connections
- Flexible tube drain connection
- Field installed TXV
- Coil elevated from condensate
- Long Life Aluminum or Copper tube
- Aluminum fins and end plates
- Pressure tested to 500 PSI
- R -410A compatible

- Quick-Connect fittings are optional
(AERO-QUIP #6 & #11)
** Add 'QC' to Model number
- 3/8" Liquid Line connection
- Suction Line Connections
3/4" or 7/8"



"M" Coil
Patent Product



Cabinet Dimensions

Model Number	Coil Height - A	Coil Width - B	Coil Depth - C
ASUM* - A26* (G, E)	16.50"	18.25"	19.50"
ASUM* - A28* (G, E)	18.50"	18.25"	19.50"
ASUM* - A34* (G, E)	14.50"	18.25"	19.50"
ASUM* - A36* (G, E)	16.50"	18.25"	19.50"
ASUM* - A38* (G, E)	18.50"	18.25"	19.50"
ASUM* - A30* (G, E)	20.50"	18.25"	19.50"
ASUM* - A3Y* (G, E)	22.50"	18.25"	19.50"
ASUM* - A3Z* (G, E)	24.50"	18.25"	19.50"
ASUM* - A3S* (G, E)	26.50"	18.25"	19.50"
ASUM* - A4Z* (G, E)	24.50"	18.25"	19.50"
ASUM* - M24* (G, E)	14.50"	18.25"	19.50"
ASUM* - M26* (G, E)	16.50"	18.25"	19.50"
ASUM* - M28* (G, E)	18.50"	18.25"	19.50"
ASUM* - M20* (G, E)	20.50"	18.25"	19.50"
ASUM* - M2Y* (G, E)	22.50"	18.25"	19.50"
ASUM* - M2Z* (G, E)	24.50"	18.25"	19.50"
ASUM* - M2S* (G, E)	26.50"	18.25"	19.50"

Mobile Home Products

AllStyle Mobile Home or Commercial Piggyback Package

Patent Product

**A new product manufactured by
AllStyle A/C Manufacturing.**

The AMCP

**AllStyle Mobile Home or Commercial
Piggyback**

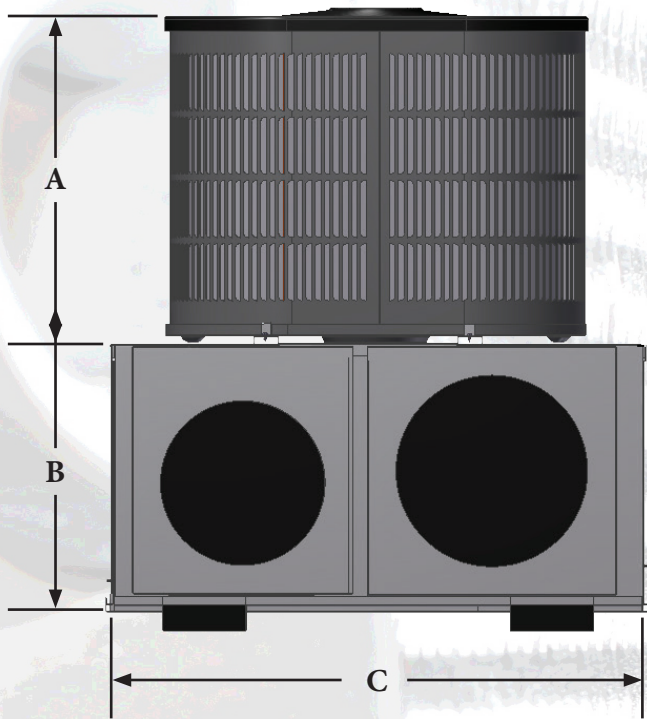


Features:

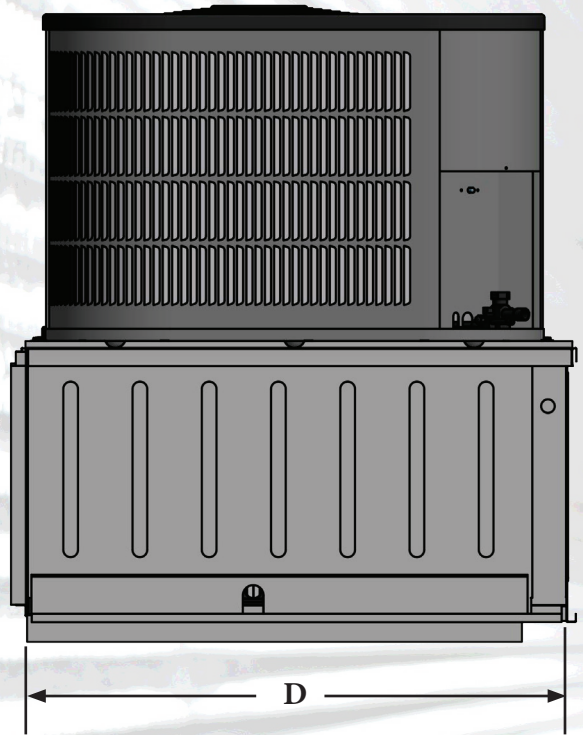
- Mobile Home and up to 5 ton Light Commercial Applications
- Side Discharge Application
- Compact High-Efficiency Design
- Corrosion Resistant, Powder Painted Galvanized Steel Casing, Fully Louvered
- Long Life Aluminum Round Tubing
- High Efficiency Compressor
- 208/230 VAC Operation
- Multi-Speed Direct Drive Blower

Optional Features:

- Optional Electric Heat
3, 5, 6, 8, 10, 15, or 20 kW
- Breakers are installed with 15kW & 20 kW heaters



Front View



Side View

AMCP Tonnage	Condenser Height - A	Air Handler Height - B	Unit Width - C	Unit Depth - D	Round Duct Adapter Diameter
AMCP*24	20.50"	19.50"	42.00"	42.00"	12.00" & 14.00"
AMCP*36	24.50"	19.50"	42.00"	42.00"	12.00" & 14.00"
AMCP*48	24.50"	19.50"	42.00"	42.00"	14.00" & 16.00"
AMCP*60	28.50"	19.50"	42.00"	42.00"	14.00" & 16.00"

AMCP Units are shipped with round duct adapters installed
 Remove round duct adapters if square duct adapters are required
 Square duct adapters 16" x 18"

Mobile Home Gas Packs available

AMCP
 5 Ton
 Commercial Application shown



Commercial Coils

Up-Flow Commercial Coil



Features:

- Choose between 8 to 20 Ton Nominal Capacity
- Copper tubing
- Heavy, Aluminum fins and end plates
- Single or Dual Refrigerant Circuits.
- Expansion Valve Refrigerant Metering
- Galvanized, corrosion resistant steel drain pans
- Coils are pressure tested to 500 PSI before assembly
- Attractive, corrosion resistant painted steel casing
- May be combined with additional units
- Match Units with two gas furnaces for 140, 000 btu or an electric air handler with heat strips 20kW - 40kw
- Coils are sold separately from gas furnaces and electric air handlers

SINGLE CIRCUIT

ABM 96

**1 1/8" Suction Line
1/2" Liquid Line**

ABM 120

**1 3/8" Suction Line
5/8" Liquid Line**

ABM 180

**1 5/8" Suction Line
5/8" Liquid Line**

ABM 244

**1 5/8" Suction Line
5/8" Liquid Line**

DUAL CIRCUIT

ABM 96 50/50

**7/8" Suction Line
3/8" Liquid Line**

ABM 120 50/50

**7/8" Suction Line
3/8" Liquid Line**

ABM 180 50/50

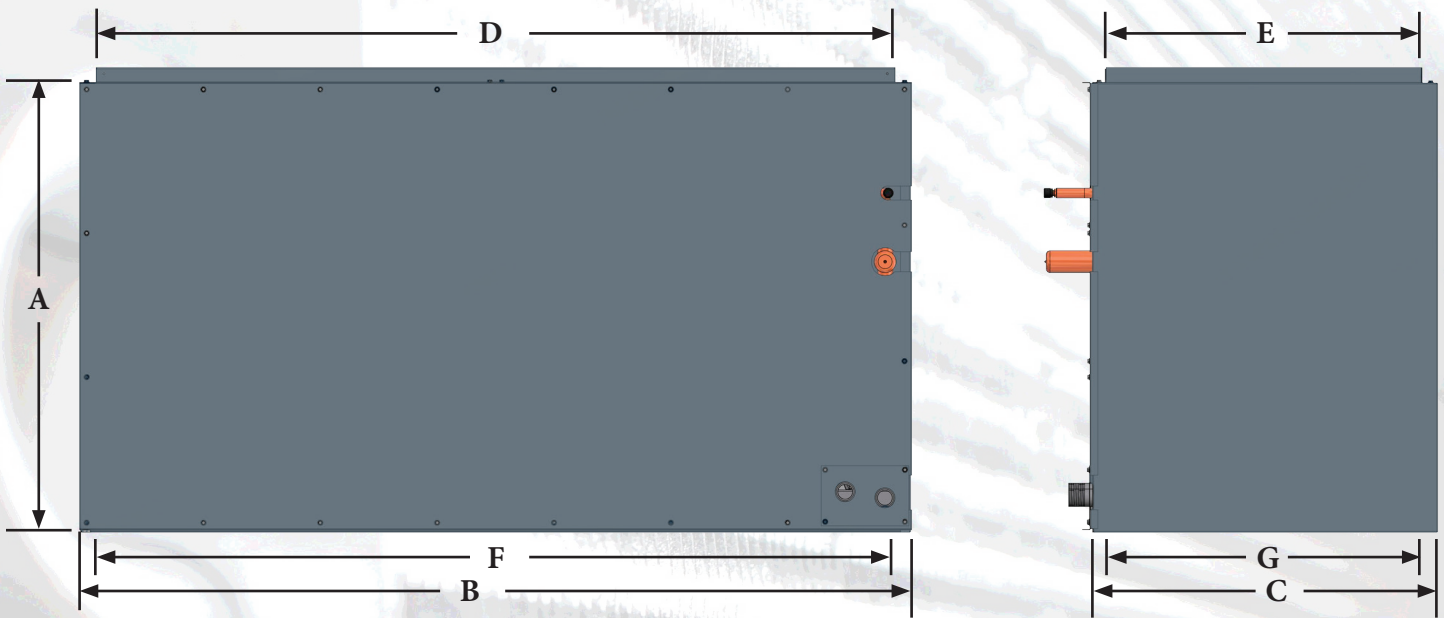
**1 1/8" Suction Line
1/2" Liquid Line**

ABM 244 50/50

**1 3/8" Suction Line
5/8" Liquid Line**

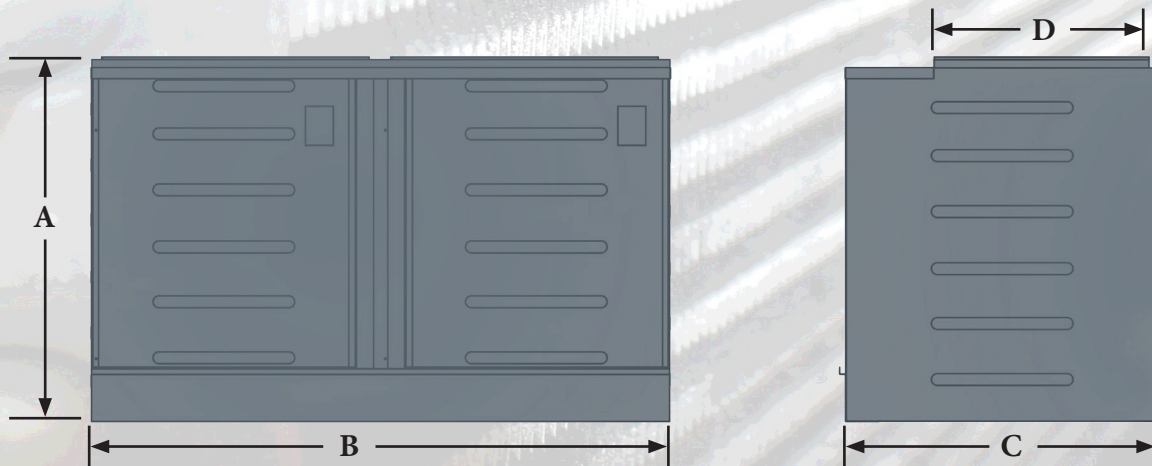


**AllStyle has gas or electric heat units in stock!
8 - 10 Ton Condensing Units Available**



R-410a Commercial Dimensions								
Coil Model	Capacity	Cabinet			Top Opening		Bottom Opening	
		Height - A	Length - B	Depth - C	Width - D	Depth - E	Width - F	Depth - G
ABM72* + V (R410a)	6 Tons	26.00"	42.00"	21.50"	40.25"	19.75"	40.75"	20.25"
ABM96* + V (R410a)	7.5 Tons	26.00"	42.00"	21.50"	40.25"	19.75"	40.75"	20.25"
ABM120* + V (R410a)	10 Tons	30.00"	52.00"	21.50"	50.25"	19.75"	50.75"	20.25"
ABM180* + V (R410a)	15 Tons	34.00"	65.00"	21.50"	63.25"	19.75"	63.75"	20.25"
ABT180* + V (R410a)	15 Tons	30.00"	65.00"	21.50"	63.25"	19.75"	63.75"	20.25"
ABM244* + V (R410a)	20 Tons	34.00"	65.00"	26.50"	63.25"	24.75"	63.75"	25.25"

Commercial Electric Air Handler



Air Handler Model	Air Handler Height - A	Air Handler Length - B	Air Handler Depth - C	Air Handler Top Opening - D
ABAH8 T-D	32.00"	42.00"	28.00"	20.25"
ABAH10 T-D	32.00"	52.00"	28.00"	20.25"
ABAH16 T-D	32.00"	65.00"	28.00"	20.25"
ABAH20 T-D	32.00"	65.00"	28.00"	25.25"

Commercial Coils

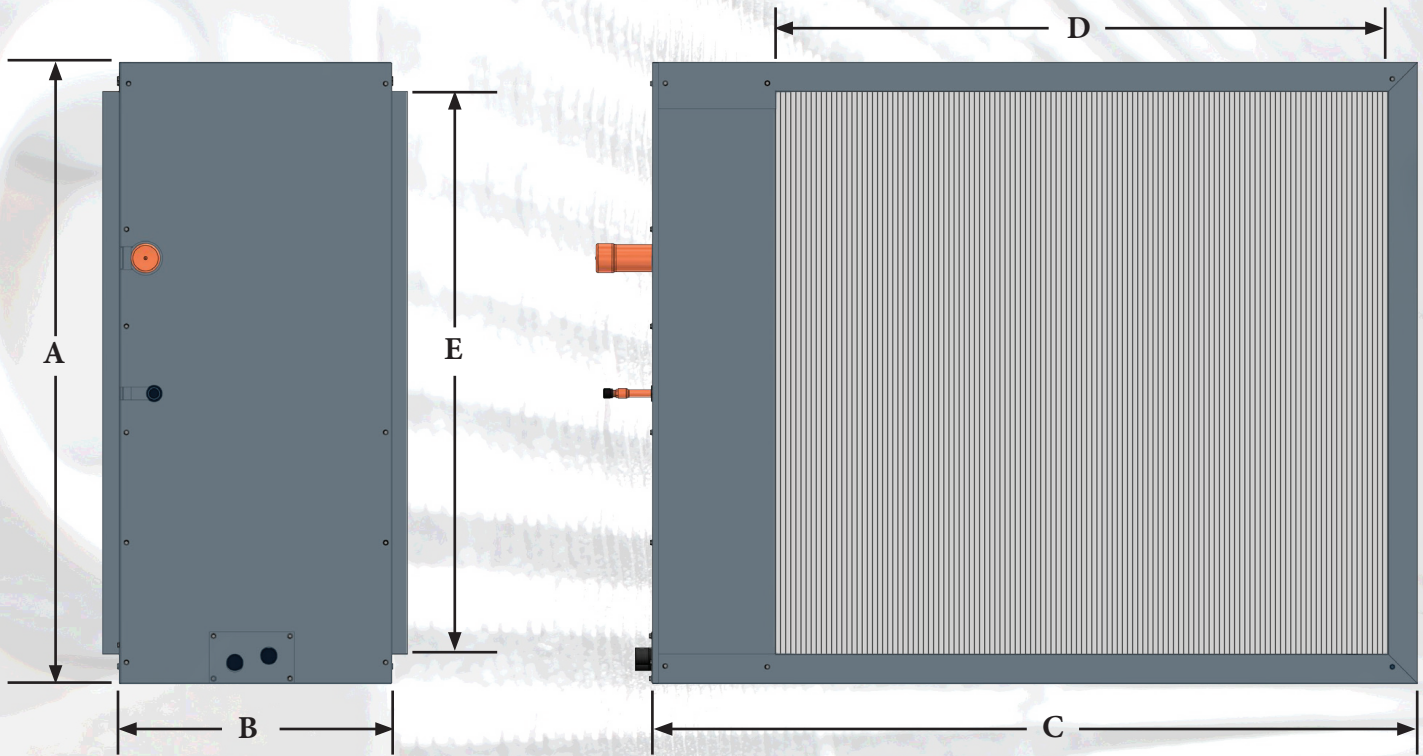
Horizontal Slab Commercial Coil



Dual Circuit Commercial
Patent Product

Dual Circuit

- Choose between 6 to 20 Ton Nominal Capacity
- Copper tubing
- Heavy, Aluminum fins and end plates
- Single or Dual Refrigerant Circuits
- Expansion Valve Refrigerant Metering
- Polymer drain pan
- Coils are pressure tested to 500 PSI before assembly
- Bi-Directional Air Flow
- Attractive, corrosion resistant painted steel casing
- May be combined with additional units



Model	Capacity	Cabinet			Plenum Opening		Suction Line	Liquid Line	Drain Connection
		Height - A	Width - B	Length - C	Width - D	Height - E			
ABH72*	6 Ton	24.50"	16.00"	45.00"	40.00"	21.00"	7/8"	3/8"	3/4"
ABH96*	7.5 - 8 Ton	24.50"	16.00"	45.00"	40.00"	21.00"	1 1/8"	1/2"	3/4"
ABH120*	10 Ton	36.50"	16.00"	45.00"	40.00"	33.50"	1 3/8"	1/2"	3/4"
ABH180*	15 Ton	36.50"	16.00"	69.25"	60.00"	33.50"	1 5/8"	5/8"	3/4"
ABH244*	20 Ton	36.50"	16.00"	69.25"	60.00"	33.50"	1 5/8"	5/8"	3/4"

Inlet and Outlet Plenum dimensions are the same

* - Coil Designation

Model ASH Dual Circuit	Suction Line	Liquid Line
ABH72* 50/50	3/4"	3/8"
ABH96* 50/50	7/8"	3/8"
ABH120* 50/50	7/8"	3/8"
ABH180* 50/50	1 1/8"	1/2"
ABH244* 50/50	1 3/8"	5/8"

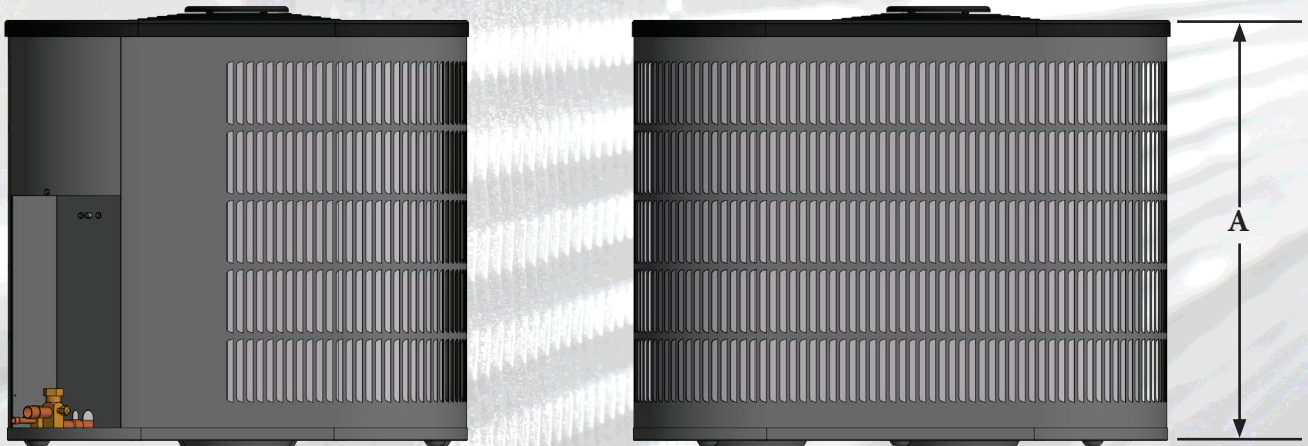
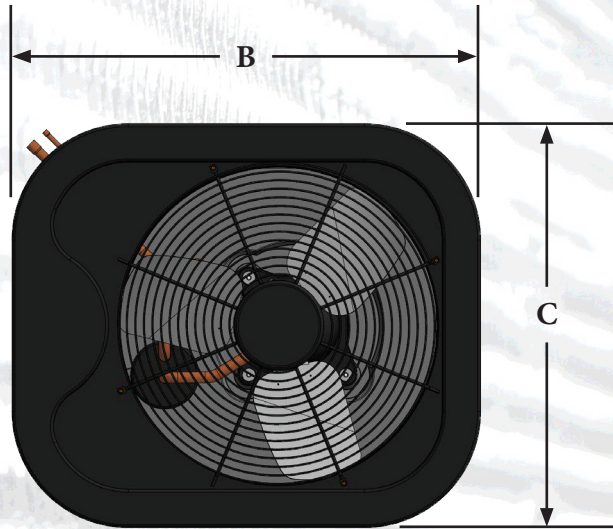
Condensers

Aluminum Coil Series



Features:

- Compact High Efficiency Design
- Single and Multi-Family Residential Applications
- One Foot Print 1.5 to 5.0 Tons
- Sound Absorbing Injection Molded Top Cap
- Corrosion resistant, powder painted, galvanized steel casing. Fully Louvered
- High Efficiency Compressor
- Liquid Line Drier (Not Installed)
- Liquid Line Connection
3/8" on 1.5 to 5.0 Tons
- Suction Line Connection
3/4" on 1.5 to 3.0 Tons
7/8" on 3.5 to 5.0 Tons
- Easy access brass Service Valves
- Easy serviceability, a single screw opens the Electrical Access Panel
- Grille/ Motor Mount for quiet fan operation



Condenser Dimensions			
Model	Height - A	Length - B	Width - C
BC1814*	20.50"	36.25"	31.25"
BC2414*	20.50"	36.25"	31.25"
BC3014*	24.50"	36.25"	31.25"
BC3614*	24.50"	36.25"	31.25"
BC4214*	24.50"	36.25"	31.25"
BC4814*	28.50"	36.25"	31.25"
BC6014*	32.50"	36.25"	31.25"

* - Denotes Condenser coil
 • - Specifications may change without notice

Condensers

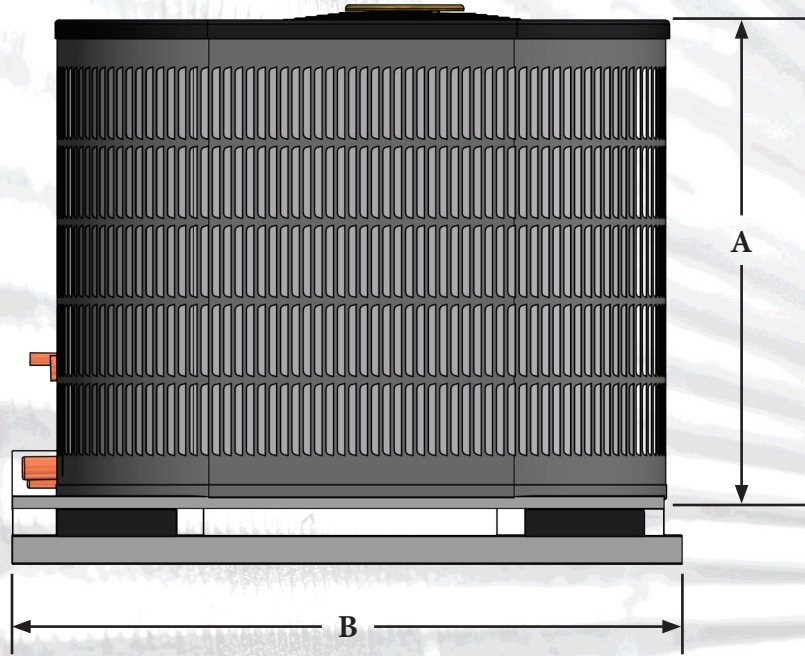
Allstyle Broadair Twin Condensing Units



Features:

- 3PH Voltage
- Low/High Pressure 3PH Surge Protector
- Compact High Efficiency Design
- Commercial applications
- Sound Absorbing Injection Molded Top Cap
- Corrosion resistant, powder painted, galvanized steel casing. Fully Louvered
- High Efficiency Compressor
- Easy access brass Service Valves
- Easy serviceability, a single screw opens the Electrical Access Panel
- Grille/ Motor Mount for quiet fan operation

Side View



Back View

Model	Unit Height - A	Unit Width - B	Unit Length - C
ABTC - 96 - P3 ABTC48L/ABTC48R	24.50"	40.00"	66.25"
ABTC - 120 - P3 ABTC60L/ABTC60R	32.50"	40.00"	66.25"

BroadAir Commercial Roof Top

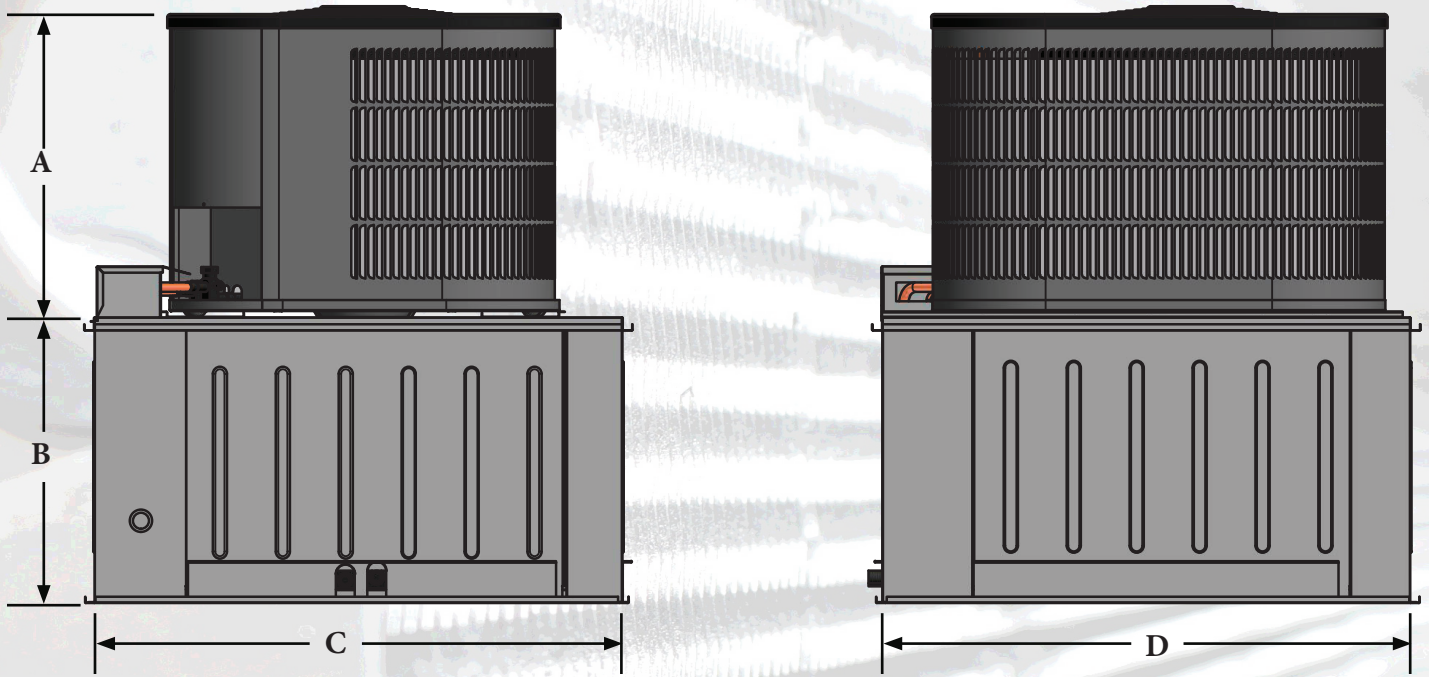
Patent Product

**A new product manufactured by
AllStyle A/C Manufacturing.
The BCRT
Broadair Commercial Roof Top**



Features:

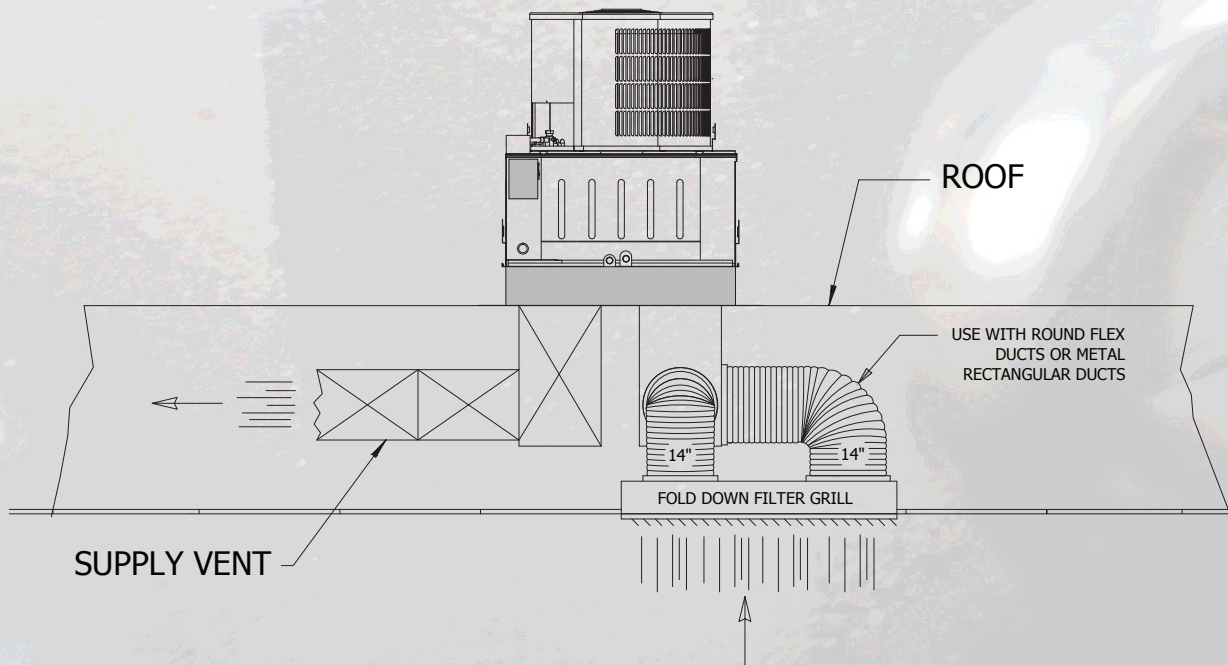
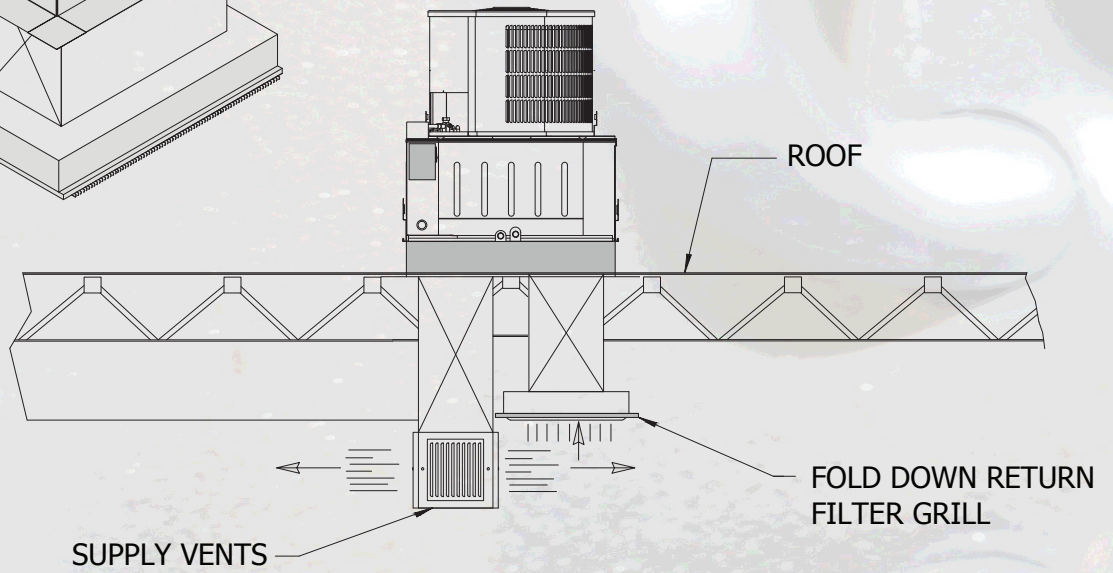
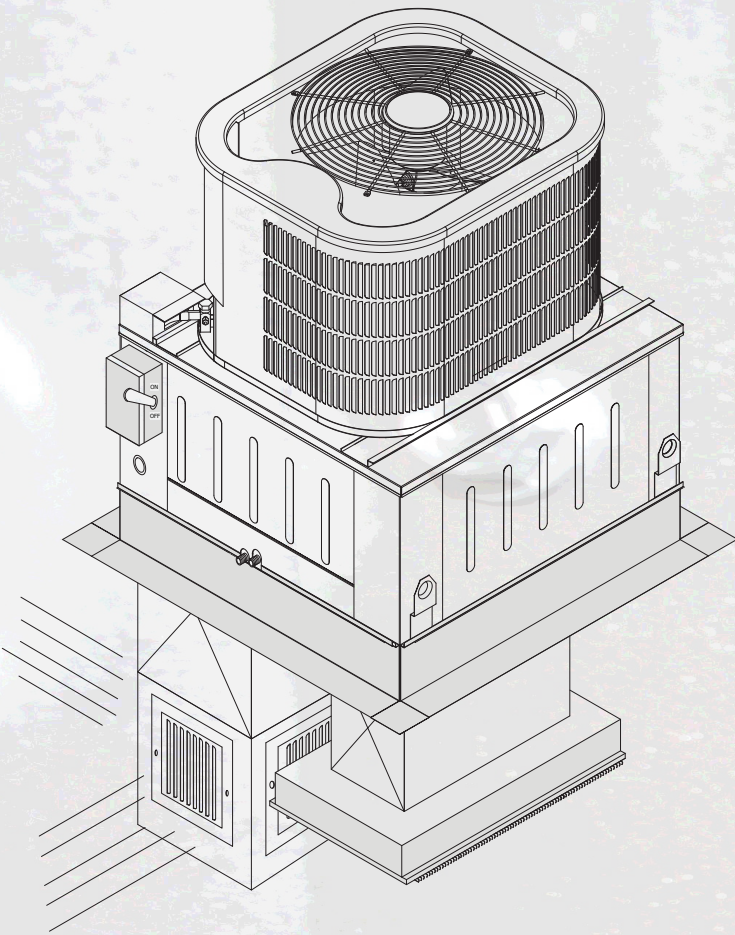
- Roof Top Voltage Single and/or 3 Phase
- Down-flow
- Compact High-Efficiency Design
- Corrosion Resistant, Powder Painted Galvanized Steel Casing, Fully Louvered
- Long Life Aluminum Round Tubing
- High Efficiency Compressor
- 208/230 VAC Operation
- Multi-Speed Direct Drive Blower
- Lifting Brackets for easier install
- Curb sold separately
- P-Trap Not Installed

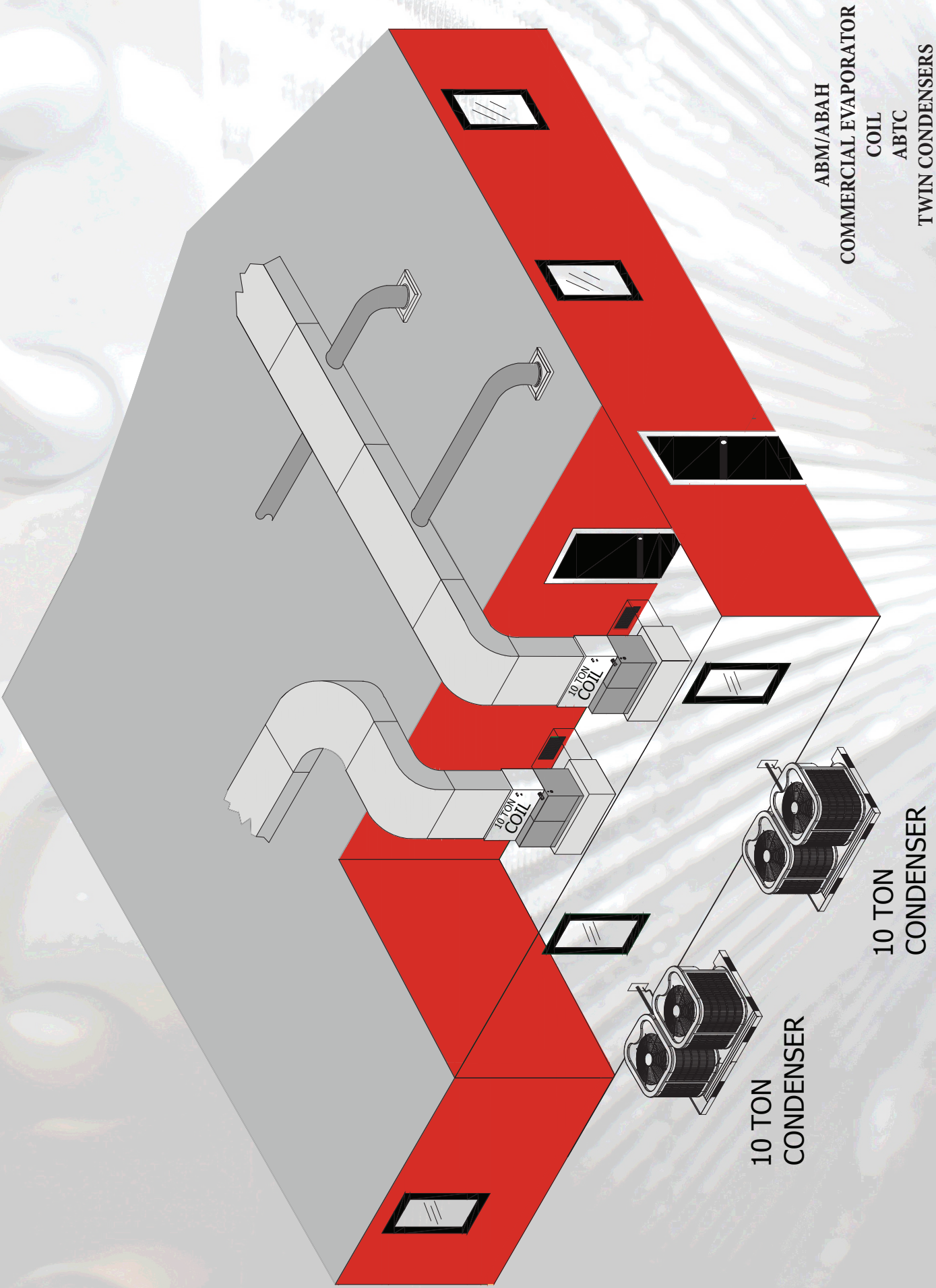


BCRT Tonnage	Condenser Height - A	Air Handler Height - B	Unit Width - C	Unit Depth - D	Curb Dimensions	Curb Supply/Return
BCRT*24	20.50"	23.00"	41.50"	41.50"	41.00" x 41.00"	24.00" x 14.00"
BCRT*36	24.50"	23.00"	41.50"	41.50"	41.00" x 41.00"	24.00" x 14.00"
BCRT*48	24.50"	23.00"	41.50"	41.50"	41.00" x 41.00"	30.00" x 14.00"
BCRT*60	28.50"	23.00"	41.50"	41.50"	41.00" x 41.00"	30.00" x 14.00"

Commercial Applications

BCRT BROADAIR COMMERCIAL ROOFTOP

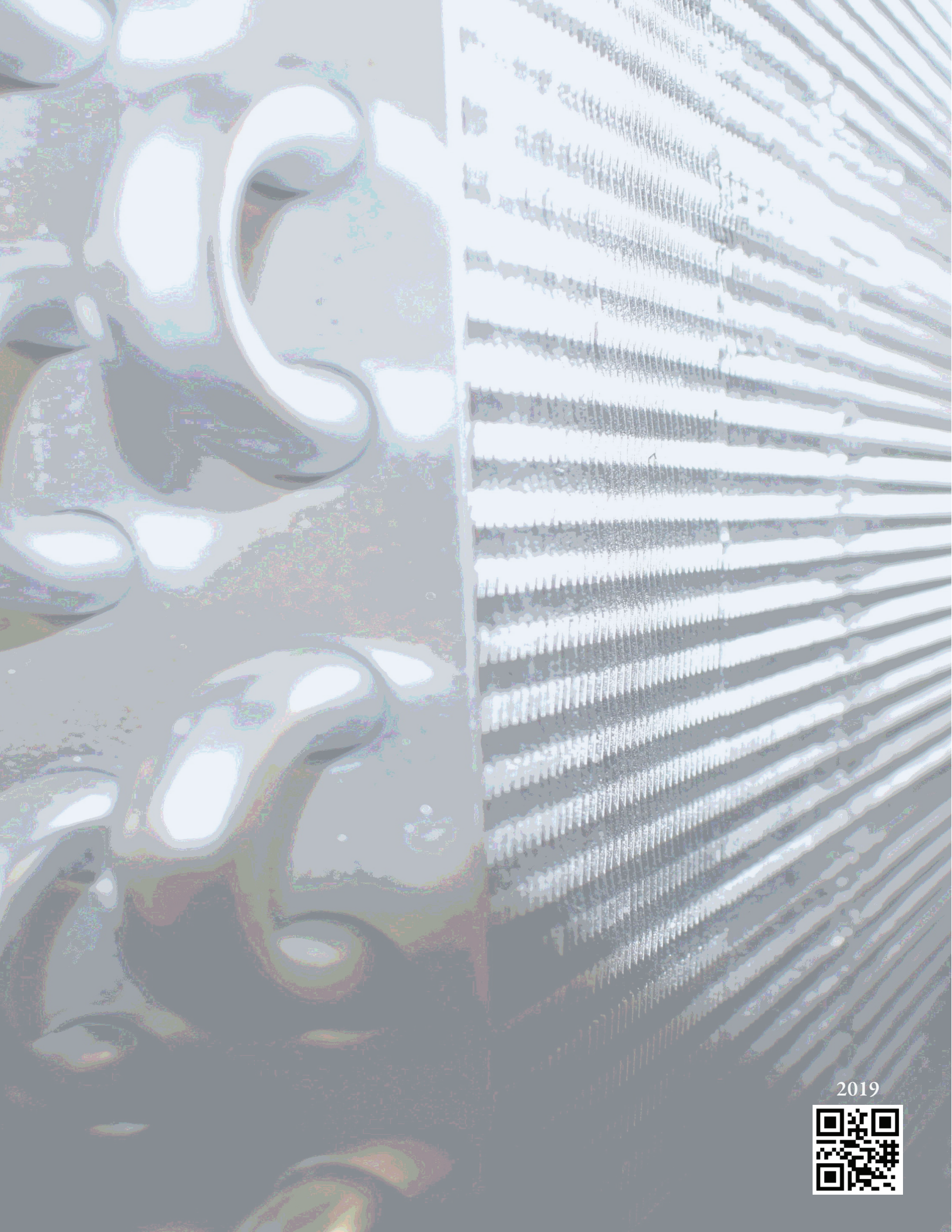




ABM/ABAH
COMMERCIAL EVAPORATOR
COIL
ABTC
TWIN CONDENSERS

10 TON
CONDENSER

10 TON
CONDENSER



2019

