

**Submittal Data: AUU9RLF
Inverter Driven Heat Pump**

9,000 BTU Compact Cassette

Job Name: _____

Date: _____

Location: _____

Approval: _____

Engineer: _____

Construction: _____

Submitted to: _____

Unit #: _____

Submitted by: _____

Drawing #: _____

Reference: _____

General Features

- Refrigerant Type R410A
- Wired and wireless remote controller
- Auto changeover
- Weekly timer
- Removable open panel
- Super quiet operation
- Removable intake grille
- Mildew-resistant filter
- Swing operation
- 5 years standard parts warranty
- Eligible for 10 year or 12 year parts warranty. See warranty statement for details.

Model Information

Evaporator..... AUU9RLF
 Condenser compatibility..... AOU9RLFC, AOU18RLXFZ, AOU18RLXFZH
 AOU24RLXFZ, AOU24RLXFZH
 AOU36RLXFZ, AOU36RLXFZ1, AOU36RLXFZH
 AOU45RLXFZ, AOU48RLXFZ, AOU48RLXFZ1

Electrical..... 208/230V AC 1ph-60Hz

Available Voltage Range..... 208/230 +/- 10%

Input Power

Cooling..... 0.62 kW (rated) / 1.40 kW (max)

Heating..... 0.89 kW (rated) / 1.80 kW (max)

Current

Cooling..... 3.0 A

Heating..... 4.1 A

Capacity

Nominal Cooling..... 9,000 Btu/h

Nominal Heating..... 12,000 Btu/h

Cooling..... 3,100 – 12,000 Btu/h (Min - Max)

Heating..... 3,100 – 18,000 Btu/h (Min - Max)

Fan Motor

Type: DC..... Turbo fan x1

Motor Output..... 54 W

Fan Motor Protection..... off: 268 +30°F -34°F (131 +17°C -19°C)

Airflow Rate..... on: 210 +38°F -34°F (99 +21°C -19°C)

Cooling (High / Medium / Low / Quiet)

318 CFM (540 m3/h) / 288 CFM (490 m3/h) / 259 CFM (440 m3/h) / 230 CFM (390 m3/h)

Heating (High / Medium / Low / Quiet)

318 CFM (540 m3/h) / 288 CFM (490 m3/h) / 259 CFM (440 m3/h) / 230 CFM (390 m3/h)

Heat Exchanger

Dimensions

(H x W x D) in. (mm)..... 8-9/32 x 51-9/16 x 17/32 + 8-9/32 x 49-7/32 x 17/32

(210x1310x13.3 + 210x1250x13.3)

Fin Pitch..... 21 FPI

Rows x Stages..... 2 x 10

Pipe Type (Material)..... Copper

Fin Type..... Aluminum



Temperature Setting Range

Cooling..... 64°F - 90°F (18°C - 32 °C)

Heating..... 60°F - 88°F (16°C - 30°C)

Enclosure

Material..... Galvanized Steel Sheet

Sound Pressure Level

Cooling

High/Medium/Low/Quiet..... 33 dB (A) / 32 dB (A) / 29 dB (A) / 28 dB (A)

Heating

High/Medium/Low/Quiet..... 34 dB (A) / 32 dB (A) / 29 dB (A) / 27 dB (A)

Dimensions

H x W x D

in. (mm)..... 9-21/32 x 22-7/16 x 22-7/16 (245x570x570)

Cassette Grille..... UTG-CCGF (sold separately)

H x W x D

in. (mm)..... 1-15/16 x 27-9/16 x 27-9/16 (49x700x700)

Connection Pipe

Liquid..... 1/4" in. (6.35 mm)

Gas..... 3/8" in. (9.52 mm)

Method (Liquid/Gas)..... Flare

Drain hose

Material..... Hard PVC

Size..... Ø3/4 (I.D.), Ø1-1/16 (O.D.) [Ø20.7 (I.D.), Ø26.6 (O.D.) mm]

Internal Drain Pump

Internal lift..... 27-9/16"

Weight

Net..... 33 lbs. (15 kg)

Gross..... 40 lbs. (18 kg)

Cassette Grille..... 5.7 lbs. (2.6 kg) Net / 10 lbs. (4.5 kg) Gross

Accessories

Wired Remote Controller..... UTY-RNNUM

Backlit Display..... UTY-RVNUM

Simple Remote Controller..... UTY-RSNUM

Wireless Remote Controller..... UTY-LNHUM

Dry Contact Wire Kit..... UTY-XWZX

High Humidity Insulation Kit..... UTZ-KXGC

Air Outlet Shutter Plate..... UTR-YDZB

Fresh Air Intake..... UTZ-VXAA

Intertek® ETL Number

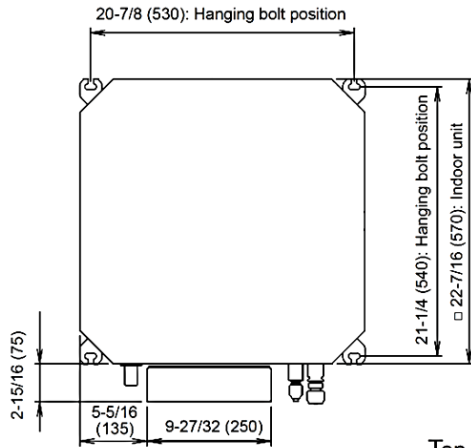
AUU9RLF..... 3170288

Note: Specifications are based on the following conditions.
 Cooling: Indoor temperature of 80°F (26.7°C) DB/67°F (19.44°C) WB, and outdoor temperature of 95°F (35°C) DB/75°F (23.9°C) WB.
 Heating: Indoor temperature of 70°F (21.11°C) DB/59°F (15°C) WB, and outdoor temperature of 47°F (8.33°C) DB/43°F (6.11°C) WB.
 Pipe length: 24ft. 7in. (7.5m), Height difference: 0ft. (0m) (Outdoor unit – indoor unit)

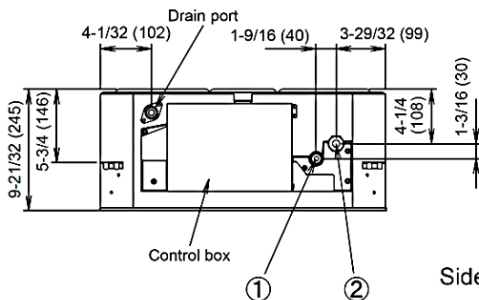
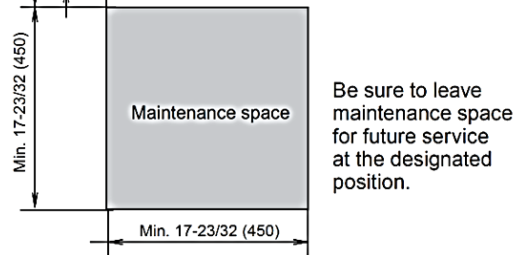
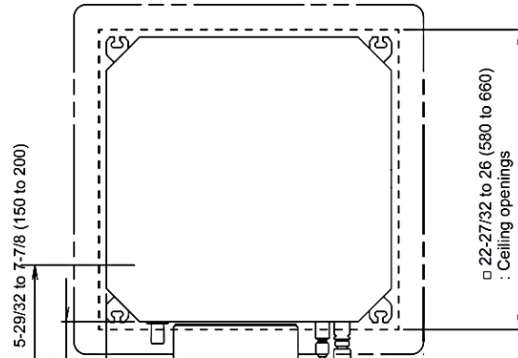
Dimensions: AUU9RLF

[Unit: in. (mm)]

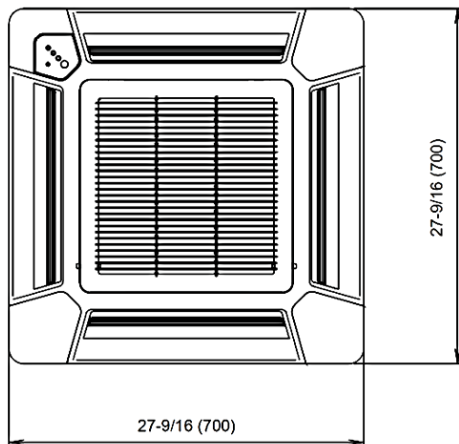
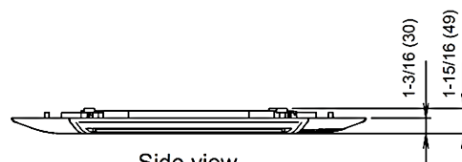
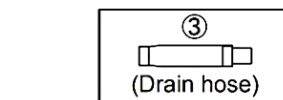
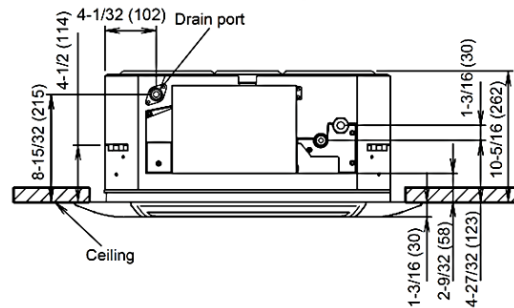
• Cassette grille mounting state



Top view



Side view



Bottom view

Dimensions: AUU9RLF

■ Installation Place

[Unit: in. (mm)]

