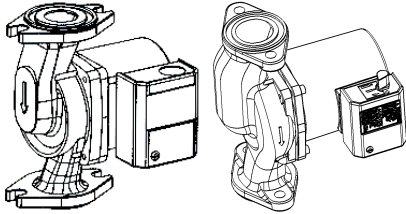


| | | |
|--------------------|------------------------|--------------|
| JOB: | REPRESENTATIVE: | |
| UNIT TAG: | ORDER NO. | DATE: |
| ENGINEER: | SUBMITTED BY: | DATE: |
| CONTRACTOR: | APPROVED BY: | DATE: |



System Lubricated Iron Body Circulators

DESCRIPTION

A flanged in-line system lubricated circulating pump designed specifically for quiet operation in a closed hydronic heating system.

CONSTRUCTION MATERIALS

Pump Body: Cast Iron
 Impeller: Noryl
 Shaft: Ceramic
 Bearings: Carbon

OPERATING DATA

Maximum Working Pressure: 150 psi (10.3Bar)
 Minimum Operating Temperature: 40°F (5°C)
 Maximum Operating Temperature
 NRF-22 & NRF-9F/LW: 240°F (115°C)
 NRF-25, NRF-33, NRF-36 & NRF-45: 225°F (107°C)

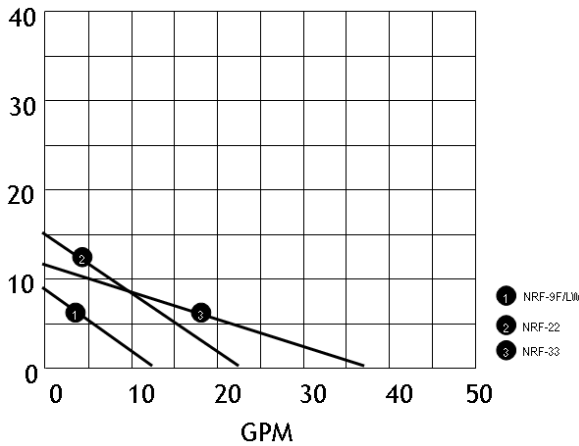
SCHEDULE

| MODEL NUMBER | PART NUMBER | STANDARD 60 CYCLE SINGLE PHASE MOTOR CHARACTERISTICS | | | | TAGGING INFORMATION | QUANTITY |
|--------------|-------------|--|---------|-----------|------|---------------------|----------|
| | | WATTS | VOLTAGE | F.L. AMPS | RPM | | |
| NRF-9F/LW | 103267 | 41 | 115 | .40 | 2800 | | |
| NRF-22 | 103251 | 92 | 115 | .80 | 2940 | | |
| NRF-25* | 103417 | 125 | 115 | 1.1 | 2950 | | |
| NRF-33 | 103350 | 125 | 115 | 1.1 | 2950 | | |
| NRF-36* | 103400 | 270 | 115 | 2.1 | 3300 | | |
| NRF-45* | 103404 | 270 | 115 | 2.1 | 3300 | | |

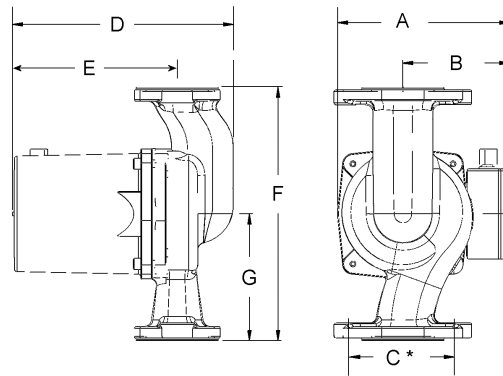
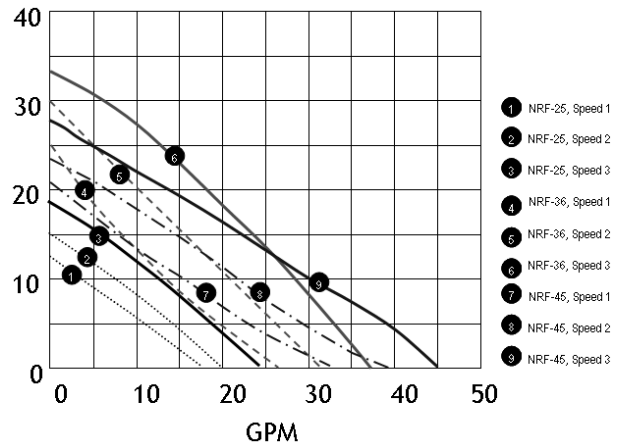
*Three-speed pump

PUMP PERFORMANCE CURVE

(FT) SINGLE SPEED PUMPS



(FT) 3 - SPEED PUMPS



* C is center-to-center dimension of bolt holes. Flange orientation varies.

TYPICAL SPECIFICATIONS

The contractor shall furnish and install in-line circulating pumps as illustrated on the plans and in accordance with the following specifications:

1. The pumps shall be of the horizontal, system lubricated type specifically designed and guaranteed for quiet operation.
2. Pumps to be suitable for _____°F (_____)°C [Select one: 240°F (115°C) for NRF-22 and NRF-9F/LW; 225°F (107°C) for NRF-25, NRF-33, NRF-36 and NRF-45] operation at 150 psig (10.3 Bar) working pressure.
3. The pumps shall have a ceramic shaft supported by carbon bearings. Bearings are to be lubricated by the circulating fluid.
4. Motor stator to be isolated from circulating fluid through use of stainless steel can. Rotor to be sheathed in stainless steel.
5. Motors shall be non-overloading at any point on the pump curve. (Select one: NRF-9F/LW, NRF-22, NRF-25, NRF-33) motors to have built-in impedance protection. (Select one: NRF-36, NRF-45) motors to have built-in thermal protection.
6. [Select one: NRF-25, NRF-36 or NRF-45] is available with 3-speed, thermally protected motor covering a wide range of hydraulic capabilities.
7. The pump manufacturer shall be ISO-9001 certified.

Pumps to have a capacity of _____ GPM at _____ foot head when powered by 115 volt, 60 cycle, single phase electrical supply. All pumps are to be Bell and Gossett Model NRF-_____.

| MODEL | PART NUMBER | A in (mm) | B in (mm) | C in (mm) | D in (mm) | E in (mm) | F in (mm) | G in (mm) | Weight (lb) |
|-----------|-------------|-------------|-------------|-------------|--------------|--------------|-------------|-------------|-------------|
| NRF-9F/LW | 103267 | 5-1/8 (130) | 3-3/16 (81) | 3-3/16 (81) | 6-3/16 (157) | 4-5/16 (110) | 6-3/8 (162) | 3-3/16 (81) | 9.3 |
| NRF-22 | 103251 | 5-1/8 (130) | 3-3/16 (81) | 3-3/16 (81) | 6-3/16 (157) | 4-5/16 (110) | 6-3/8 (162) | 3-3/16 (81) | 9.3 |
| NRF-25* | 103417 | 5-1/8 (130) | 3-3/16 (81) | 3-3/16 (81) | 6-3/16 (157) | 4-7/8 (124) | 6-3/8 (162) | 3-7/8 (98) | 10.4 |
| NRF-33 | 103350 | 5-1/8 (130) | 3-3/16 (81) | 3-3/16 (81) | 6-3/16 (157) | 3-11/16 (94) | 6-3/8 (162) | 3-3/16 (81) | 10.4 |
| NRF-36 | 103400 | 5-3/4 (146) | 3-9/16 (91) | 3-3/16 (81) | 6-7/8 (175) | 5-3/8 (137) | 6-3/8 (162) | 3-3/16 (81) | 13.1 |
| NRF-45* | 103404 | 5-3/4 (146) | 3-9/16 (91) | 3-7/16 (87) | 7-3/8 (187) | 5-1/2 (140) | 8-1/2 (216) | 4-1/4 (108) | 14.5 |

Dimensions are subject to change. Not to be used for construction purposes unless certified.

Companion Flanges Available in Sizes: 3/4", 1", 1-1/4" and 1-1/2"

