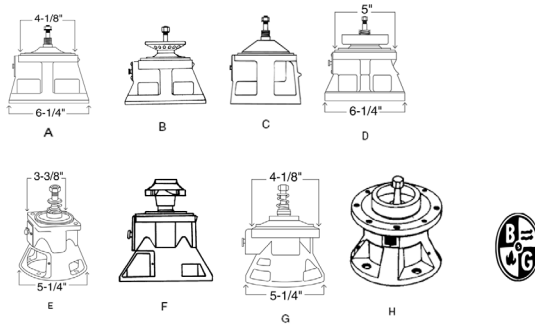


# CIRCULATOR BEARING ASSEMBLIES

## Bell & Gossett, Armstrong Circulator Bearing Assemblies



### FEATURES:

- New and remanufactured
- Remanufactured models protected by 2 year warranty. 4-1/8"

Size/Description	Mfr	Mfr#	Item#	Reman
A 1", 1-1/4", 1-1/2", 2", 2-1/2", 3" LD	Bell & Gossett	189100	B70	B70R
B 1", 1-1/4", 1-1/2", 2", 2-1/2", 3" LD	Bell & Gossett	189103 bronze		B70-2R
A 1", 1-1/4", 1-1/2", 2", 2-1/2", 3" LD	Bell & Gossett	189104 bronze		B71R
C 3" HD	Bell & Gossett	118726		B72R
D 2-1/2", 3" LD, 3" HD	Bell & Gossett	189105	B73	B73R
D 2-1/2", 3" LD, 3" HD	Bell & Gossett	118447 bronze		B73-1R
E 3/4" thru 1-1/2"	Bell & Gossett	118844	B74	B74-1R
F 3/4" thru 1-1/2" with impeller	Bell & Gossett	189134	B74-1	B74-1R
F 3/4" through 1-1/2"	Bell & Gossett	118844		B74-2R
E 3/4" thru 1-1/2"	Bell & Gossett	189034	B75	B75R
G HV	Bell & Gossett	189120	189165	B75-2R
G HV	Bell & Gossett	189122 bronze		B75-3R
G -1/2" IB, 1-1/2" BI, 2" NFI, HV NFI	Bell & Gossett	189120		B75-4R
H ---	Bell & Gossett	186863	B76	B76R
H ---	Bell & Gossett	186864 bronze		B76-1R
H Similar to B&G PD2Z-12 (Item# B76R) except shroud is pressed on rather cast. Iron	Armstrong	---		B78R
H Similar to B&G PD2Z-12 (Item# B76R) except shroud is pressed on rather cast. Bronze	Armstrong	---		B78-1R

**NOTE:** Remanufactured products available only on exchange for similar defective units.