

# Bosch Climate 5000 Ductless Minisplit System

Engineering  
Submittal  
Sheet



# BOSCH

## Overview and Certifications



## Standard Features and Field Installed Accessories

### Standard Features

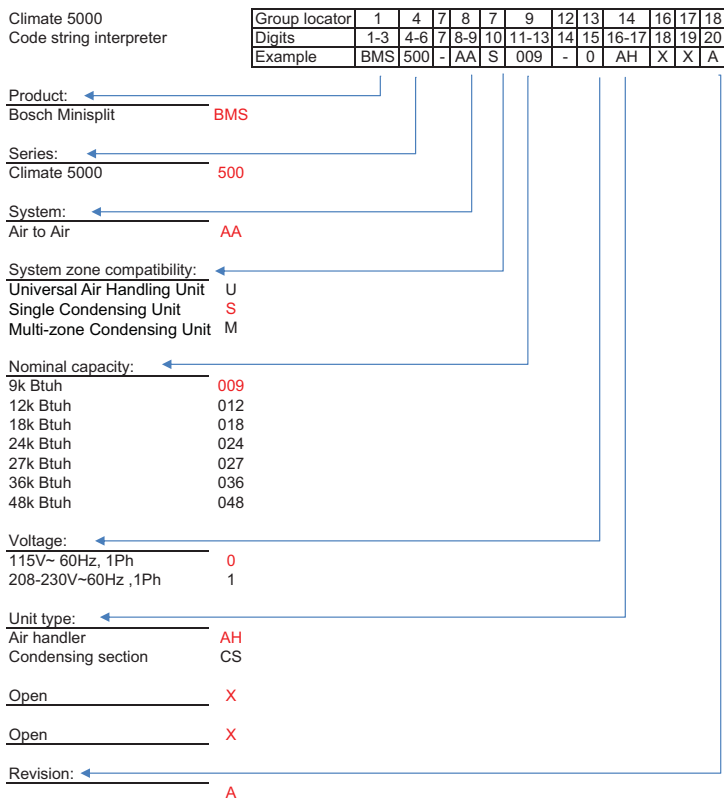
- ▶ R-410A chlorine-free refrigerant with pre-charge for line set compensation
- ▶ AHRI certified; ETL listed
- ▶ Operating range of outdoor unit from -13 to 122°F for both cooling and heating mode
- ▶ Electronic Expansion Valve (EEV) included for smart inverter technology
- ▶ High efficiency (up to 22 SEER)
- ▶ Available as single-zone or multi-zone systems
- ▶ Easy installation with simple maintenance

- ▶ 4 single-zone capacities from 9,000 to 24,000 Btu/h, 4 multi-zone capacities from 18,000 to 48,000 Btu/h
- ▶ Available in both 115/120V (up to 12,000 Btu/h) and 208/230V
- ▶ Sound levels as low as 20dBA
- ▶ Standard base pan heater for cold climate operation

### Field Installed Accessories

- ▶ Refrigerant line piping kits - with insulated copper refrigerant lines
  - 24ft length
  - 16ft length

**Model Nomenclature**



**Available Models**

Model Name	Model #	Order #
Climate 5000 AAU	BMS500-AAU009-0AHXXA	8733942691
Climate 5000 AAS	BMS500-AAS009-0CSXXA	8733942692
Climate 5000 AAU	BMS500-AAU012-0AHXXA	8733942693
Climate 5000 AAS	BMS500-AAS012-0CSXXA	8733942694
Climate 5000 AAU	BMS500-AAU009-1AHXXA	8733942695
Climate 5000 AAS	BMS500-AAS009-1CSXXA	8733942696
Climate 5000 AAU	BMS500-AAU012-1AHXXA	8733942697
Climate 5000 AAS	BMS500-AAS012-1CSXXA	8733942698
Climate 5000 AAU	BMS500-AAU018-1AHXXA	8733942699
Climate 5000 AAS	BMS500-AAS018-1CSXXA	8733942700
Climate 5000 AAU	BMS500-AAU024-1AHXXA	8733942701
Climate 5000 AAS	BMS500-AAS024-1CSXXA	8733942702
Climate 5000 AAM	BMS500-AAM018-1CSXXA	8733942703
Climate 5000 AAM	BMS500-AAM027-1CSXXA	8733942704
Climate 5000 AAM	BMS500-AAM036-1CSXXA	8733942705
Climate 5000 AAM	BMS500-AAM048-1CSXXA	8733942706

Bosch Thermotechnology Corp.  
Watertown, MA • Londonderry, NH • Ft. Lauderdale, FL

# Bosch Climate 5000 Ductless Minisplit System



Product Specifications - Single Zone								
Condensing Section Model (outdoor)			BMS500-AAS009-0CSXXA	BMS500-AAS012-0CSXXA	BMS500-AAS009-1CSXXA	BMS500-AAS012-1CSXXA	BMS500-AAS018-1CSXXA	BMS500-AAS024-1CSXXA
Air Handler Model (indoor)			BMS500-AAU009-0AHXXA	BMS500-AAU012-0AHXXA	BMS500-AAU009-1AHXXA	BMS500-AAU012-1AHXXA	BMS500-AAU018-1AHXXA	BMS500-AAU024-1AHXXA
Power supply		Ph-V-Hz	115V~ 60Hz, 1Ph	115V~ 60Hz, 1Ph	208-230V~60Hz ,1Ph	208-230V~60Hz ,1Ph	208-230V~60Hz ,1Ph	208-230V~60Hz ,1Ph
Cooling	Capacity	Btu/h	9000	12000	9000	12000	18000	24000
	Input	W	642	960	642	960	1385	1920
	Rated current	A	5.7	8.7	2.9	4.3	6.3	8.6
	EER	Btu/w	14	12.5	14	12.5	13	12.5
	SEER	Btu/w	22	20.9	20.5	20.7	22	20
Heating	Capacity	Btu/h	9800	12000	9800	12000	18000	25000
	Input	W	820	1155	900	1060	1665	2450
	Rated current	A	7.3	10.3	4.1	4.8	7.5	10.9
	COP	W/W	3.5	3.0	3.2	3.3	3.2	3.0
	HSPF4	Btu/w	10.5	10	10	9.6	10	10
HSPF5	Btu/w	8.3	8	8.1	7.6	8.7	8.9	
Minimum Circuit Ampacity		A	15	15	10	12	15	18
Maximum Fuse		A	20	20	15	15	20	25
Compressor	Type		ROTARY	ROTARY	ROTARY	ROTARY	ROTARY	ROTARY
	Capacity	Btu/h	10014	11157	10014	11157	13836	24344
	Input	W	748	800	748	800	1035	1970
	Compressor oil / oil charge	ml	ESTER OIL VG74-370	ESTER OIL VG74/370	ESTER OIL VG74-370	ESTER OIL VG74/370	ESTER OIL VG74/450	ESTER OIL VG74/670
Indoor fan motor	Input	W	20(Output)	20(Output)	20(Output )	20(Output )	58(Output)	58(Output)
	Speed(Hi/Mi/Lo)	r/min	1170/900/700	1250/1050/800	1200/1050/800	1250/1050/800	1100/900/700	1100/900/700
Indoor air flow (Hi/Mi/Lo)		CFM	271/229/165	306/265/200	271/229/165	306/265/200	589/483/353	589/483/353
Indoor noise level (Hi/Mi/Lo)		dB(A)	39/34/26	39/35/28	39.5/34/25	39.5/35/28	47/41/32	47/41/33
Indoor unit	Dimension(W*D*H)	inch	31.65x7.60x11.81	31.65x7.60x11.81	31.65x7.60x11.81	31.65x7.60x11.81	43.54x9.13x13.46	43.54x9.13x13.46
	Packing (W*D*H)	inch	34.45x11.22x14.76	34.45x11.22x14.76	34.45x11.22x14.76	34.45x11.22x14.76	47.05x12.40x16.54	47.05x12.40x16.54
	Net/Gross weight	lbs.	18.74/22.49	18.74/22.49	18.74/22.49	18.74/22.49	29.1/37.5	29.1/37.0
Outdoor fan motor	Input	W	40(Output)	40(Output)	40(Output)	40(Output)	50(Output)	120(Output)
Outdoor air flow		CFM	1060	1120	1060	1120	1470	2355
Outdoor noise level		dB(A)	55.5	54	55.5	54.5	59	59
Outdoor unit	Dimension(W*D*H)	inch	30.31x11.81x21.85	31.50x13.11x21.81	30.31x11.81x21.85	31.50x13.11x21.81	33.27x14.29x27.64	37.24x16.54x31.89
	Packing (W*D*H)	inch	35.43x13.58x23.03	36.22x15.35x24.21	35.43x13.58x23.03	36.22x15.35x24.21	38.00x15.55x29.72	42.91x19.69x34.06
	Net/Gross weight	lbs.	63.9/69.4	81.6/88.2	63.9/69.4	81.6/88.2	101.0/108.2	136.69/147.27

Product Specifications - Single Zone Continued								
Condensing Section Model (outdoor)			BMS500-AAS009-0CSXXA	BMS500-AAS012-0CSXXA	BMS500-AAS009-1CSXXA	BMS500-AAS012-1CSXXA	BMS500-AAS018-1CSXXA	BMS500-AAS024-1CSXXA
Air Handler Model (indoor)			BMS500-AAU009-0AHXXA	BMS500-AAU012-0AHXXA	BMS500-AAU009-1AHXXA	BMS500-AAU012-1AHXXA	BMS500-AAU018-1AHXXA	BMS500-AAU024-1AHXXA
Refrigerant type / charge	oz		R410A/38.8	R410A/40.6	R410A/38.8	R410A/40.6	R410A/68.8	R410A/82.9
Refrigerant precharge for line sets/ pipes	ft		25	25	25	25	25	25
Additional charge per additional foot of pipe	oz		0.161	0.161	0.161	0.161	0.161	0.322
Design pressure	PSIG		550/340 PSIG	550/340 PSIG	550/340 PSIG	550/340 PSIG	550/340 PSIG	550/340 PSIG
Refrigerant piping	Liquid side / Gas side line OD	inch	1/4" / 3/8"	1/4" / 1/2"	1/4" / 3/8"	1/4" / 1/2"	1/4" / 1/2"	3/8" / 5/8"
	Max. refrigerant equivalent pipe length	ft	82	82	82	82	98	164
	Max. difference in elevation	ft	33	33	33	33	66	82
Connection wiring			16AWG*4 Stranded, unshielded	16AWG*4 Stranded, unshielded	16AWG*4 Stranded, unshielded	16AWG*4 Stranded, unshielded	16AWG*4 Stranded, unshielded	16AWG*4 Stranded, unshielded
Thermostat type			Remote Control	Remote Control	Remote Control	Remote Control	Remote Control	Remote Control
Operation temperature	Indoor (cooling/ heating)	°F	62 90/32 86	62 90/32 86	62 90/32 86	62 90/32 86	62 90/32 86	62 90/32 86
	Outdoor (cooling/ heating)	°F	-13 122 / -13 122	-13 122 / -13 122	-13 122 / -13 122	-13 122 / -13 122	-13 122 / -13 122	-13 122 / -13 122

# Bosch Climate 5000 Ductless Minisplit System



Product Specifications - Multi Zone						
Bosch Model (outdoor)			BMS500-AAM018-1CSXXA	BMS500-AAM027-1CSXXA	BMS500-AAM036-1CSXXA	BMS500-AAM048-1CSXXA
Bosch Model (indoor)			Paired with 2 X [BMS500-AAU009-1AHXXA]	Paired with 3 X [BMS500-AAU009-1AHXXA]	Paired with 4 X [BMS500-AAU009-1AHXXA]	Paired with 5 X [BMS500-AAU009-1AHXXA]
Power supply		Ph-V-Hz	208-230V 60Hz, 1Ph	208-230V 60Hz, 1Ph	208-230V 60Hz, 1Ph	208-230V 60Hz, 1Ph
Cooling	Capacity	Btu/h	18000	27000	36000	48000
	EER	Btu/w	11.5	11.2	10.3	11.0
	SEER	Btu/w	19.0	21.9	22.0	18.5
Heating at 47F	Capacity	Btu/h	18000	28000	36600	48000
	COP	W/W	3.6	3.8	3.5	3.5
	HSPF4	Btu/w	9.6	9.8	9.8	10.0
	HSPF5	Btu/w	8.3	8.0	8.1	8.3
heating at 17F	Rated capacity	Btu/h	11200	16800	22200	30600
heating at 5 F	maximum capacity	Btu/h	14000	21000	25900	37800
Minimum Circuit Ampacity		A	18	25	30	35
Maximum Fuse		A	25	35	45	50
Compressor	Type	-	ROTARY	ROTARY	ROTARY	Twin-ROTARY
	Capacity	Btu/h	15388	24345	32380	38214
	Input	W	1170	1970	2600	3040
	Rated current(RLA)	A	10	20	22	21
	Refrigerant oil/oil charge	ml	VG74/500	POE(VG74)/670	PQE(VG74)/1000	Ester Oil VG74/1400
Outdoor fan motor	Input	W	115	150	150	126
	RLA	A	0.74	0.90	1.30	0.39
	Speed	r/min	150/200/250/300/350/450/550/650/800/850	150/200/250/300/400/500/600/750/900/1000		150/200/250/300/400/500/600/700/800/870
Outdoor air flow		CFM	1390	2130	2130	4500
Outdoor noise level		dB(A)	62.4	63.4	62.3	64
Outdoor unit	Dimension(W*D*H)	inch	33.27x14.29x27.64	37.24x16.14x31.89	37.24x16.14x31.89	37.48x16.34x52.48
	Packing (W*D*H)	inch	37.99x15.55x29.72	42.91x19.69x34.45	42.91x19.69x34.45	43.11x19.49x58.27
	Net/Gross weight	lbs.	105.82/114.64	149.91/160.94	156.53/167.55	223.77/255.07
Refrigerant type / charge		oz	R410A/70.5	R410A/98.8	R410A/105.8	R410A/162.3
Refrigerant precharge (Total pipe length)		ft	50	73.8	100	125
Additional charge per additional foot of pipe		oz	0.161	0.161	0.161	0.32
Design pressure		PSIG	550/340	550/340	550/340	550/340
Refrigerant piping	Liquid side/ Gas side	inch	2 X (1/4" / 3/8")	3 X (1/4" / 3/8")	4 x1/4" / 3x3/8"+1 x1/2"	5 x1/4" / 3x3/8"+2 x1/2"
	Max. equivalent length for all rooms	ft	98	148	197	246
	Max. equivalent length for one indoor unit	ft	82	98	115	115
	Max. height variation between indoor and outdoor unit	ft	49	49	49	49
	Max. height variation between indoor units	ft	33	33	33	33
Ambient temperature	cooling	°F	-13~122	-13~122	-13~122	-13~122
	heating	°F	-13~122	-13~122	-13~122	-13~122

# Bosch Climate 5000 Ductless Minisplit System



ARI 210/240 Performance Data - Single-Zone								
Condensing Section Model (outdoor)			BMS500-AAS009-0CSXXA	BMS500-AAS012-0CSXXA	BMS500-AAS009-1CSXXA	BMS500-AAS012-1CSXXA	BMS500-AAS018-1CSXXA	BMS500-AAS024-1CSXXA
Air Handler Model (indoor)			BMS500-AAU009-0AHXXA	BMS500-AAU012-0AHXXA	BMS500-AAU009-1AHXXA	BMS500-AAU012-1AHXXA	BMS500-AAU018-1AHXXA	BMS500-AAU024-1AHXXA
Cooling	Capacity	Btu/h	9000	12000	9000	12000	18000	24000
	EER	Btu/w	14	12.5	14	12.5	13	12.5
	SEER	Btu/w	22	20.9	20.5	20.7	22	20
Heating	HSPF4	Btu/w	10.5	10	10	9.6	10	10
Indoor Air Flow (Hi/Med/Lo)		CFM	271/229/165	306/265/200	271/229/165	306/265/200	589/483/353	589/483/353
Indoor Noise Level (Hi/Med/Lo) <sup>5</sup>		dBa	39/34/26	39/35/28	39.5/34/25	39.5/35/28	47/41/32	47/41/33
Power Supply		Ph-V-Hz	115V~ 60Hz, 1Ph	115V~ 60Hz, 1Ph	"208-230V~60Hz, 1Ph"	"208-230V~60Hz, 1Ph"	"208-230V~60Hz, 1Ph"	"208-230V~60Hz, 1Ph"
Refrigerant Piping	Equivalent Pipe Length	ft	82	82	82	82	98	164

<sup>5</sup> When operating in Silent Mode, sound is further decreased to levels as low as 20 dBA.

ARI 210/240 Performance Data - Multi-Zone <sup>6 7</sup>						
Bosch Model (outdoor)			CLIMATE 5000 AAM-018-1CS	CLIMATE 5000 AAM-027-1CS	CLIMATE 5000 AAM-036-1CS	CLIMATE 5000 AAM-048-1CS
Bosch Model (indoor)			PAIRED WITH 2 X BMS500-AAU009-1AHXXA	PAIRED WITH 3 X BMS500-AAU009-1AHXXA	PAIRED WITH 4 X BMS500-AAU009-1AHXXA	PAIRED WITH 5 X BMS500-AAU009-1AHXXA
Cooling	Capacity	Btu/h	18000	27000	36000	48000
	EER	Btu/w	11.5	11.2	10.3	11.0
	SEER	Btu/w	19	21.9	22.0	18.5
Heating	HSPF4	Btu/w	9.6	9.8	9.8	10.0

<sup>6</sup> Multi-zone system performance will vary depending on the specific combination of condenser and air handlers chosen. Please note - not all possible combinations are listed in AHRI directory.

<sup>7</sup> All multi-zone systems use 208-230V~60Hz, 1Ph voltage.

# Bosch Climate 5000 Ductless Minisplit System



## Cooling Performance Data - Single Zone

Model		Cooling		Outdoor conditions (DB)																				
		Indoor		TC	-13F -25C	-5F -20.6C	-4F -20C	0F -17.8C	5F -15C	15F -9.4C	25F -3.9C	35F 1.7C	45F 7.2C	55F 12.8C	65F 18.3C	75F 23.9C	85F 29.4C	95F 35C	105F 40.6C	109.4F 43C	115F 46.1C	122F 50C		
Condensing Unit	Air Handler Unit	DB	WB																					
BMS500-AAS009-OCSSXA	BMS500-AAU009-OAHXXA	65F 18.3C	54F	TC	6.89	7.40	7.91	8.42	8.93	9.44	9.95	10.45	10.96	11.47	11.98	12.49	13.00	13.51	12.08	11.57	11.45	10.94		
				SC	3.85	4.24	4.63	5.02	5.42	5.81	6.20	6.59	6.98	7.38	7.77	8.16	8.55	8.94	9.63	9.24	7.02	6.63		
		70F 21.1C	59F	TC	6.25	6.76	7.27	7.78	8.29	8.80	9.31	9.82	10.32	10.83	11.34	11.85	12.36	12.87	11.44	10.93	10.81	10.30		
				SC	3.77	4.16	4.55	4.95	5.34	5.73	6.12	6.51	6.91	7.30	7.69	8.08	8.47	8.87	9.55	9.16	6.94	6.55		
	75F 23.9C	63F	TC	5.62	6.13	6.63	7.14	7.65	8.16	8.67	9.18	9.69	10.20	10.71	11.22	11.73	12.24	10.81	10.30	10.17	9.67			
			SC	3.69	4.08	4.47	4.87	5.26	5.65	6.04	6.43	6.83	7.22	7.61	8.00	8.39	8.79	9.47	9.08	6.86	6.47			
		80F 26.7C	67F	TC	5.08	5.29	5.70	6.21	6.72	7.23	7.74	8.25	8.76	9.27	9.78	10.29	10.79	11.60	10.17	9.66	9.54	9.03		
				SC	3.88	4.27	4.66	5.05	5.44	5.84	6.23	6.62	7.01	7.40	7.80	8.19	8.58	8.71	9.39	9.00	6.78	6.39		
BMS500-AAS012-OCSSXA	BMS500-AAU012-OAHXXA	65F 18.3C	54F	TC	7.49	8.00	8.51	9.02	9.53	10.03	10.54	11.05	11.56	12.07	12.58	13.09	13.60	14.11	12.81	12.26	11.57	11.02		
				SC	3.97	4.36	4.75	5.15	5.54	5.93	6.32	6.71	7.11	7.50	7.89	8.28	8.67	9.07	9.10	9.24	6.54	6.67		
		70F 21.1C	59F	TC	6.85	7.36	7.87	8.38	8.89	9.40	9.91	10.42	10.93	11.44	11.94	12.45	12.96	13.47	12.17	11.62	10.93	10.38		
				SC	3.89	4.28	4.68	5.07	5.46	5.85	6.24	6.64	7.03	7.42	7.81	8.20	8.60	8.99	9.02	9.16	6.46	6.60		
	75F 23.9C	63F	TC	6.22	6.73	7.24	7.75	8.26	8.76	9.27	9.78	10.29	10.80	11.31	11.82	12.33	12.84	11.53	10.98	10.29	9.75			
			SC	3.81	4.21	4.60	4.99	5.38	5.77	6.17	6.56	6.95	7.34	7.73	8.13	8.52	8.91	8.94	9.08	6.38	6.52			
	80F 26.7C	67F	TC	5.86	6.37	6.88	7.38	7.89	8.40	8.91	9.42	9.93	10.44	10.95	11.46	11.97	12.20	10.90	10.35	9.66	9.11			
			SC	4.07	4.46	4.85	5.25	5.64	6.03	6.42	6.81	7.21	7.60	7.99	8.38	8.77	8.83	8.86	9.00	6.30	6.44			
BMS500-AAS009-1CSXXA	BMS500-AAU009-1AHXXA	65F 18.3C	54F	TC	8.98	8.98	8.98	8.98	8.98	9.32	9.40	9.40	9.53	10.06	10.60	11.14	11.68	13.69	12.97	12.42	12.97	12.41		
				SC	6.41	6.47	6.53	6.59	6.65	7.15	7.21	7.27	8.50	8.56	8.62	8.68	8.74	8.80	9.08	9.22	9.18	9.32		
		70F 21.1C	59F	TC	8.34	8.34	8.34	8.34	8.35	8.68	8.76	8.76	8.89	9.43	9.97	10.51	11.04	13.05	12.33	11.78	12.33	11.78		
				SC	6.33	6.39	6.45	6.51	6.57	7.07	7.13	7.19	8.42	8.48	8.54	8.60	8.66	8.72	9.00	9.14	9.10	9.24		
	75F 23.9C	63F	TC	7.70	7.70	7.71	7.71	7.71	8.04	8.12	8.13	8.34	8.80	9.33	9.87	10.41	12.42	11.70	11.14	11.69	11.14			
			SC	6.25	6.31	6.37	6.43	6.49	6.99	7.06	7.12	8.26	8.40	8.46	8.52	8.58	8.65	8.92	9.06	9.03	9.16			
	80F 26.7C	67F	TC	7.06	7.07	7.07	7.07	7.07	7.40	7.49	7.49	8.26	8.32	8.70	9.24	9.78	11.78	11.06	10.51	11.06	10.50			
			SC	6.17	6.23	6.29	6.35	6.41	6.92	6.98	7.04	7.62	8.16	8.38	8.45	8.51	8.57	8.84	8.98	8.95	9.09			
BMS500-AAS012-1CSXXA	BMS500-AAU012-1AHXXA	65F 18.3C	54F	TC	14.82	14.77	14.72	14.67	14.62	14.91	14.86	14.81	14.63	14.58	14.53	14.48	14.43	14.39	13.59	13.04	12.52	11.97		
				SC	9.75	9.81	9.87	9.93	9.99	9.77	9.83	9.89	9.98	10.04	10.10	10.16	10.22	10.28	10.73	10.87	10.83	10.97		
		70F 21.1C	59F	TC	14.18	14.13	14.08	14.03	13.99	14.27	14.22	14.18	13.99	13.94	13.90	13.85	13.80	13.75	12.95	12.40	11.88	11.33		
				SC	9.67	9.73	9.79	9.85	9.92	9.69	9.75	9.81	9.90	9.96	10.02	10.08	10.14	10.20	10.65	10.79	10.75	10.89		
	75F 23.9C	63F	TC	13.54	13.50	13.45	13.40	13.35	13.64	13.59	13.54	13.36	13.31	13.26	13.21	13.16	13.11	12.32	11.76	11.24	10.81			
			SC	9.59	9.65	9.72	9.78	9.84	9.61	9.67	9.73	9.82	9.88	9.95	10.00	10.06	10.12	10.57	10.71	10.67	10.69			
	80F 26.7C	67F	TC	12.70	12.71	12.71	12.71	12.71	12.82	12.90	12.90	12.68	12.35	12.31	12.28	12.43	12.47	11.68	11.13	10.61	10.73			
			SC	9.52	9.58	9.64	9.70	9.76	9.53	9.59	9.65	9.29	9.34	9.39	9.93	9.99	10.04	10.49	10.63	10.59	10.06			
BMS500-AAS018-1CSXXA	BMS500-AAU018-1AHXXA	65F 18.3C	54F	TC	15.78	15.73	15.68	15.63	15.58	16.30	16.38	16.95	19.79	19.74	19.69	19.65	19.60	19.55	16.28	16.42	16.38	16.52		
				SC	12.39	12.45	12.51	12.57	12.63	12.22	12.28	12.34	16.62	16.68	16.74	16.80	16.86	16.92	16.01	15.46	14.94	14.38		
		70F 21.1C	59F	TC	15.14	15.09	15.04	14.99	14.94	15.66	15.74	16.31	19.16	19.11	19.06	19.01	18.96	18.91	16.20	16.34	16.31	16.45		
				SC	12.31	12.37	12.43	12.49	12.55	12.14	12.20	12.26	16.54	16.60	16.66	16.72	16.79	16.85	15.37	14.82	14.30	13.75		
	75F 23.9C	63F	TC	14.50	14.45	14.41	14.36	14.31	15.02	15.10	15.68	18.52	18.47	18.42	18.37	18.32	18.27	16.12	16.26	16.23	16.37			
			SC	12.23	12.29	12.35	12.41	12.47	12.06	12.12	12.18	16.46	16.52	16.59	16.65	16.71	16.77	14.73	14.18	13.66	13.11			
	80F 26.7C	67F	TC	13.66	13.67	13.67	13.67	13.67	14.39	14.47	15.04	16.39	16.45	16.51	16.57	16.63	16.66	16.05	16.19	16.15	16.29			
			SC	12.15	12.21	12.27	12.34	12.40	11.98	12.04	12.10	13.47	14.01	14.55	15.09	15.63	15.71	14.10	13.54	13.03	12.47			
BMS500-AAS024-1CSXXA	BMS500-AAU024-1AHXXA	65F 18.3C	54F	TC	25.98	25.93	25.88	25.83	25.78	28.65	28.73	29.30	29.11	29.06	29.02	28.97	28.92	28.87	22.60	22.05	21.53	20.98		
				SC	21.82	21.88	21.94	22.00	22.06	25.35	25.41	25.48	21.64	21.70	21.76	21.82	21.88	21.94	17.85	17.99	17.96	18.10		
		70F 21.1C	59F	TC	25.34	25.29	25.24	25.19	25.14	28.01	28.09	28.66	28.48	28.43	28.38	28.33	28.28	28.23	21.97	21.41	20.89	20.34		
				SC	21.74	21.80	21.86	21.92	21.99	25.28	25.34	25.40	21.56	21.62	21.68	21.74	21.80	21.86	17.78	17.91	17.88	18.02		
	75F 23.9C	63F	TC	24.70	24.65	24.60	24.55	24.51	27.37	27.46	28.03	27.84	27.79	27.74	27.69	27.64	27.59	21.33	20.78	20.26	19.71			
			SC	21.66	21.72	21.79	21.85	21.91	25.20	25.26	25.32	21.48	21.54	21.60	21.66	21.72	21.78	17.70	17.84	17.80	17.94			
	80F 26.7C	67F	TC	23.86	23.86	23.86	23.87	23.87	26.74	26.82	27.39	22.79	23.33	23.87	24.41	24.95	26.96	20.69	20.14	19.62	19.07			
			SC	21.59	21.65	21.71	21.77	21.83	25.12	25.18	25.24	21.40	21.46	21.52	21.58	21.64	21.71	17.62	17.76	17.72	17.86			

### Legend

- DB --- Dry Bulb
- WB --- Wet Bulb
- TC --- Total Net Capacity (1000 Btu/hour)
- SC --- Sensible Capacity (1000 Btu/hour)
- Input --- Total Power (kW)

# Bosch Climate 5000 Ductless Minisplit System



# BOSCH

Heating Performance Data - Single Zone																			
Model		Heating		Outdoor conditions (DB)															
Condensing Unit	Air Handler Unit	Indoor		DB	-13F -25C	-5F -20.6C	0F -17.8C	5F -15C	17F -8.3C	19.4F -7C	24.8F -4C	32F 0C	35F 1.7C	39.2F 4C	44.6F 7C	47F 8.3C	53.6F 12C	57F 13.9C	
		TC	Input																
BMS500-AAS009- OCSXXA	BMS500-AAU009- OAHXXA	55F (12.8C)	TC	7.00	7.83	8.31	9.15	10.61	10.93	12.20	12.74	12.86	13.01	14.14	15.00	15.14	15.29		
			Input	0.89	0.88	0.87	0.85	0.87	0.86	0.84	0.83	0.82	0.84	0.85	0.90	0.92	0.93		
		60F (15.6C)	TC	6.16	7.00	7.48	8.31	9.78	10.10	11.36	11.91	12.03	12.18	13.31	14.16	14.31	14.46		
			Input	0.94	0.93	0.91	0.90	0.92	0.91	0.89	0.88	0.87	0.89	0.90	0.95	0.97	0.98		
		65F (18.3C)	TC	5.33	6.16	6.64	7.48	8.95	9.27	10.53	11.07	11.19	11.34	12.47	13.33	13.47	13.62		
			Input	0.99	0.98	0.96	0.95	0.97	0.96	0.94	0.93	0.92	0.93	0.95	1.00	1.01	1.03		
70F (21.1C)	TC	4.49	5.33	5.81	6.64	8.11	8.43	9.70	10.24	10.36	10.51	11.64	12.49	12.64	12.79				
	Input	1.04	1.03	1.01	1.00	1.02	1.00	0.99	0.98	0.97	0.98	1.00	1.05	1.06	1.08				
BMS500-AAS012- OCSXXA	BMS500-AAU012- OAHXXA	55F (12.8C)	TC	7.01	7.84	8.42	9.26	10.61	10.93	12.20	12.74	12.86	13.01	14.14	15.05	15.20	15.34		
			Input	0.78	0.77	0.85	0.84	0.87	0.86	0.84	0.83	0.82	0.84	0.85	0.90	0.92	0.94		
		60F (15.6C)	TC	6.17	7.01	7.59	8.42	9.78	10.10	11.36	11.91	12.03	12.18	13.31	14.21	14.36	14.51		
			Input	0.83	0.82	0.90	0.89	0.92	0.91	0.89	0.88	0.87	0.89	0.90	0.95	0.97	0.99		
		65F (18.3C)	TC	5.34	6.17	6.75	7.59	8.95	9.27	10.53	11.07	11.19	11.34	12.47	13.38	13.53	13.67		
			Input	0.88	0.87	0.95	0.94	0.97	0.96	0.94	0.93	0.92	0.93	0.95	1.00	1.02	1.04		
70F (21.1C)	TC	4.50	5.34	5.92	6.75	8.11	8.43	9.70	10.24	10.36	10.51	11.64	12.54	12.69	12.84				
	Input	0.93	0.92	1.00	0.99	1.02	1.00	0.99	0.98	0.97	0.98	1.00	1.05	1.07	1.08				
BMS500-AAS009- 1CSXXA	BMS500-AAU009- 1AHXXA	55F (12.8C)	TC	8.06	9.21	9.50	10.33	10.61	10.93	12.20	12.74	12.86	13.01	14.14	15.59	15.74	15.89		
			Input	0.84	0.92	1.02	1.00	0.87	0.86	0.84	0.83	0.82	0.84	0.85	0.93	0.95	0.96		
		60F (15.6C)	TC	7.22	8.37	8.67	9.50	9.78	10.10	11.36	11.91	12.03	12.18	13.31	14.75	14.90	15.05		
			Input	0.89	0.97	1.07	1.05	0.92	0.91	0.89	0.88	0.87	0.89	0.90	0.98	0.99	1.01		
		65F (18.3C)	TC	6.39	7.54	7.83	8.67	8.95	9.27	10.53	11.07	11.19	11.34	12.47	13.92	14.07	14.22		
			Input	0.94	1.02	1.12	1.10	0.97	0.96	0.94	0.93	0.92	0.93	0.95	1.03	1.04	1.06		
70F (21.1C)	TC	5.55	6.70	7.00	7.83	8.11	8.43	9.70	10.24	10.36	10.51	11.64	13.08	13.23	13.38				
	Input	0.99	1.07	1.16	1.15	1.02	1.00	0.99	0.98	0.97	0.98	1.00	1.08	1.09	1.11				
BMS500-AAS012- 1CSXXA	BMS500-AAU012- 1AHXXA	55F (12.8C)	TC	4.72	5.87	6.16	7.00	7.28	7.60	8.87	9.41	9.53	9.68	10.80	12.25	12.40	12.55		
			Input	1.04	1.12	1.21	1.20	1.07	1.05	1.04	1.03	1.02	1.03	1.05	1.12	1.14	1.16		
		60F (15.6C)	TC	8.69	10.13	10.62	11.45	12.23	13.50	14.77	15.31	15.43	15.58	15.73	15.89	16.04	16.18		
			Input	1.02	1.11	1.22	1.21	1.18	1.16	1.15	1.14	1.13	1.14	1.16	0.93	0.95	0.97		
		65F (18.3C)	TC	7.86	9.30	9.79	10.62	11.39	12.66	13.93	14.47	14.60	14.74	14.89	15.05	15.20	15.35		
			Input	1.06	1.16	1.27	1.26	1.23	1.21	1.20	1.19	1.17	1.19	1.21	0.98	1.00	1.02		
BMS500-AAS018- 1CSXXA	BMS500-AAU018- 1AHXXA	55F (12.8C)	TC	7.02	8.46	8.95	9.79	10.56	11.83	13.10	13.64	13.76	13.91	14.06	14.22	14.37	14.51		
			Input	1.11	1.21	1.32	1.31	1.27	1.26	1.25	1.24	1.22	1.24	1.26	1.03	1.05	1.07		
		60F (15.6C)	TC	6.19	7.63	8.12	8.95	9.73	10.99	12.26	12.80	12.93	13.07	13.22	13.38	13.53	13.68		
			Input	1.16	1.26	1.37	1.35	1.32	1.31	1.30	1.28	1.27	1.29	1.31	1.08	1.10	1.12		
		65F (18.3C)	TC	5.35	6.79	7.28	8.12	8.89	10.16	11.43	11.97	12.09	12.24	12.39	12.55	12.70	12.84		
			Input	1.21	1.30	1.42	1.40	1.37	1.36	1.35	1.33	1.32	1.34	1.36	1.13	1.15	1.17		
BMS500-AAS024- 1CSXXA	BMS500-AAU024- 1AHXXA	55F (12.8C)	TC	10.44	11.82	12.62	13.45	16.24	18.00	19.27	19.81	19.93	20.08	21.21	21.70	21.85	22.00		
			Input	1.34	1.37	1.45	1.44	1.47	1.62	1.61	1.60	1.58	1.60	1.62	1.53	1.55	1.56		
		60F (15.6C)	TC	9.61	10.99	11.78	12.62	15.40	17.16	18.43	18.97	19.10	19.24	20.37	20.86	21.01	21.16		
			Input	1.39	1.42	1.50	1.49	1.52	1.67	1.66	1.64	1.63	1.65	1.67	1.58	1.59	1.61		
		65F (18.3C)	TC	8.78	10.15	10.95	11.78	14.57	16.33	17.60	18.14	18.26	18.41	19.54	20.03	20.18	20.33		
			Input	1.44	1.47	1.55	1.53	1.57	1.72	1.71	1.69	1.68	1.70	1.72	1.63	1.64	1.66		
BMS500-AAS024- 1CSXXA	BMS500-AAU024- 1AHXXA	70F (21.1C)	TC	7.94	9.32	10.11	10.95	13.73	15.49	16.76	17.30	17.43	17.57	18.70	19.19	19.34	19.49		
			Input	1.49	1.52	1.60	1.58	1.62	1.77	1.76	1.74	1.73	1.75	1.76	1.67	1.69	1.71		
		75F (23.9C)	TC	7.11	8.49	9.28	10.11	12.90	14.66	15.93	16.47	16.59	16.74	17.87	18.36	18.51	18.66		
			Input	1.53	1.57	1.65	1.63	1.66	1.82	1.80	1.79	1.78	1.80	1.81	1.72	1.74	1.76		
		75F (23.9C)	TC	14.37	16.57	19.40	20.24	21.15	21.25	21.37	21.49	22.60	26.66	30.73	31.65	31.79	31.94		
			Input	2.11	2.24	2.38	2.36	2.33	2.22	2.21	2.19	2.18	2.20	2.22	2.46	2.47	2.49		
BMS500-AAS024- 1CSXXA	BMS500-AAU024- 1AHXXA	60F (15.6C)	TC	13.53	15.73	18.57	19.40	20.32	20.42	20.54	20.66	21.76	25.83	29.90	30.81	30.96	31.11		
			Input	2.16	2.29	2.42	2.41	2.38	2.27	2.25	2.24	2.23	2.25	2.26	2.51	2.52	2.54		
		65F (18.3C)	TC	12.70	14.90	17.73	18.57	19.48	19.58	19.70	19.83	20.93	24.99	29.06	29.98	30.12	30.27		
			Input	2.21	2.34	2.47	2.46	2.43	2.32	2.30	2.29	2.28	2.30	2.31	2.55	2.57	2.59		
		70F (21.1C)	TC	11.86	14.06	16.90	17.73	18.65	18.75	18.87	18.99	20.09	24.16	28.23	29.14	29.29	29.44		
			Input	2.26	2.39	2.52	2.51	2.48	2.37	2.35	2.34	2.33	2.34	2.36	2.60	2.62	2.64		
75F (23.9C)	TC	11.03	13.23	16.06	16.90	17.81	17.91	18.03	18.16	19.26	23.32	26.41	28.31	28.45	28.60				
	Input	2.31	2.44	2.57	2.56	2.53	2.41	2.40	2.39	2.38	2.39	2.41	2.65	2.67	2.69				

**Legend**  
 DB --- Dry Bulb  
 WB --- Wet Bulb  
 TC --- Total Net Capacity (1000 Btu/hour)  
 Input --- Total Power (kW)  
 COP --- W/W

Bosch Thermotechnology Corp.  
 Watertown, MA • Londonderry, NH • Ft. Lauderdale, FL



# Bosch Climate 5000

## Ductless Minisplit System



Cooling Performance Data - Multi-Zone														
Model	Cooling		Outdoor conditions (DB)											
	Indoor		-4F -20C	0F -17.8C	5F -15C	17F -8.3C	47F 8C	77F 25C	86F 30C	95F 35C	104F 40C	113F 45C	122F 50C	
	DB	WB												
BMS500-AAM018-1CSXXA	69.8F 21C	59F 15C	TC	19.86	19.66	19.26	18.87	20.69	21.78	19.94	17.92	12	11.58	9.89
			SC	15.49	15.34	15.03	14.72	16.14	17	15.95	15.23	12	11.58	9.89
			Input	1.41	1.48	1.53	1.57	1.6	1.63	1.79	1.96	1.47	1.52	1.32
	75.2F 24C	62.6F 17C	TC	21.45	21.23	20.81	20.38	22.35	23.52	21.54	19.35	12.96	12.51	10.13
			SC	15.01	15.29	15.4	15.28	16.98	18.35	17.01	15.87	11.53	11.88	9.93
			Input	1.46	1.53	1.58	1.62	1.65	1.68	1.84	2.01	1.5	1.54	1.35
	80.6F 27C	66.2F 19C	TC	22.46	22.18	22.53	22.85	24.15	25.11	23.85	21.54	14.82	14.22	10.4
			SC	16.85	16.64	18.05	17.14	18.11	18.33	17.89	16.16	14.52	14.08	10.4
			Input	1.45	1.51	1.58	1.62	1.65	1.68	1.88	2.05	1.52	1.57	1.36
	89.6F 32C	73.4F 23C	TC	24.48	24.18	24.56	24.91	26.32	27.37	26	23.48	16.15	15.5	11.34
			SC	17.63	17.65	18.17	18.68	19.22	22.44	21.84	20.19	15.18	14.88	11.11
			Input	1.5	1.56	1.63	1.67	1.72	1.73	1.93	2.14	1.57	1.62	1.41
BMS500-AAM027-1CSXXA	69.8F 21C	59F 15C	TC	32.76	32.58	32.6	32.15	32.75	32.44	26.94	24.46	19.98	17.56	15.45
			SC	22.94	22.81	22.82	22.51	22.93	25.47	22.82	21.7	19.42	17.21	15.45
			Input	2.32	2.31	2.34	2.36	2.38	2.41	2.26	2.5	2.39	2.58	2.62
	75.2F 24C	62.6F 17C	TC	35.39	35.19	35.21	34.72	35.37	35.04	29.1	26.42	21.58	18.96	16.69
			SC	24.77	24.63	24.65	24.31	24.76	26.28	23.86	22.72	19.42	18.02	16.52
			Input	2.36	2.35	2.38	2.4	2.42	2.45	2.3	2.54	2.43	2.6	2.66
	80.6F 27C	66.2F 19C	TC	37.15	37.24	37.08	37.51	37.68	37.53	35.39	32.75	24.71	23.96	20.15
			SC	26.01	26.07	25.96	26.26	26.38	26.95	26.08	25.06	22.09	23.84	20.05
			Input	2.25	2.28	2.34	2.35	2.41	2.47	2.75	3.04	2.48	2.62	2.74
	89.6F 32C	73.4F 23C	TC	39.75	39.85	39.68	40.14	40.32	40.16	37.87	35.04	26.44	25.64	21.56
			SC	27.83	27.89	27.77	28.09	30.64	32.93	32.19	31.19	24.32	24.61	21.56
			Input	2.32	2.35	2.38	2.42	2.48	2.54	2.82	3.11	2.55	2.69	2.81
BMS500-AAM036-1CSXXA	69.8F 21C	59F 15C	TC	40.12	40.28	39.54	39.18	40.81	39.79	37.98	36.16	28.21	26.56	23.46
			SC	28.08	28.2	27.68	27.43	30.61	31.57	30.73	29.86	26.4	26.18	23.12
			Input	3.16	3.18	3.12	3.21	3.24	3.28	3.62	3.99	3.13	3.25	2.66
	75.2F 24C	62.6F 17C	TC	41.32	41.49	40.73	40.36	42.03	41.38	41.02	39.05	30.47	28.68	25.34
			SC	28.93	29.04	28.51	28.25	31.53	33.93	36.1	35.15	28.03	27.25	24.83
			Input	3.21	3.23	3.17	3.26	3.29	3.33	3.67	4.04	3.18	3.3	2.71
	80.6F 27C	66.2F 19C	TC	42.15	42.51	42.61	42.1	42.61	42.41	40.63	38.82	32.17	30.47	27.53
			SC	29.51	29.76	29.83	29.47	31.96	32.3	31.45	30.57	28.3	30.18	27.25
			Input	3.21	3.25	3.29	3.31	3.38	3.42	3.67	4.05	3.21	3.31	2.76
	89.6F 32C	73.4F 23C	TC	45.52	45.91	46.02	45.47	46.02	45.8	43.88	41.93	34.74	32.91	29.73
			SC	31.87	32.14	32.21	31.83	34.51	37.56	38.61	37.73	31.96	31.26	29.73
			Input	3.27	3.31	3.35	3.37	3.44	3.48	3.73	4.11	3.27	3.37	2.82
BMS500-AAM048-1CSXXA	69.8F 21C	59F 15C	TC	42.25	42.51	41.87	41.24	41.97	41.47	39.32	36.26	32.97	29.86	26.54
			SC	29.58	29.76	29.31	28.87	30.64	37.24	36.86	35.53	32.97	29.86	26.54
			Input	2.24	2.28	2.35	2.38	2.41	2.46	2.78	3.11	3.45	3.64	3.08
	75.2F 24C	62.6F 17C	TC	45.63	45.91	45.22	44.54	45.33	44.79	42.47	39.16	35.61	32.25	28.66
			SC	33.31	33.51	33.01	32.51	34.9	37.17	36.1	34.07	32.05	32.25	28.66
			Input	2.31	2.35	2.42	2.45	2.48	2.53	2.85	3.18	3.52	3.71	3.15
	80.6F 27C	66.2F 19C	TC	55.14	54.68	55.31	56.15	56.72	60.26	56.82	53.16	40.95	38.57	35.24
			SC	41.36	41.01	42.12	42.11	42.54	46.04	44.49	42.79	37.95	38.57	35.24
			Input	3.06	3.15	3.25	3.29	3.46	3.94	4.36	4.8	3.79	3.98	3.43
	89.6F 32C	73.4F 23C	TC	57.9	57.41	58.08	58.96	59.56	63.27	59.66	55.82	43	40.5	37.04
			SC	42.84	42.49	42.98	43.63	46.45	52.52	51.31	50.24	40.85	40.5	37.04
			Input	3.13	3.22	3.32	3.36	3.53	4.01	4.43	4.87	3.86	4.05	3.5

**Legend**  
 DB --- Dry Bulb  
 WB --- Wet Bulb  
 TC --- Total Net Capacity (1000 Btu/hour)  
 SC --- Sensible Capacity (1000 Btu/hour)  
 Input --- Total Power (kW)

Bosch Thermotechnology Corp.  
 Watertown, MA • Londonderry, NH • Ft. Lauderdale, FL

# Bosch Climate 5000 Ductless Minisplit System



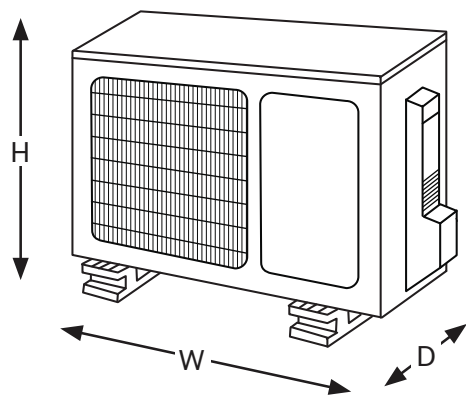
# BOSCH

Heating Performance Data - Multi-Zone													
Model	Heating Indoor Conditions DB	Outdoor conditions (DB)											
			53.6F 12C	44.6F 7C	39.2F 4C	32F 0C	24.8F -4C	19.4F -7C	17F -8C	5F -15C	0F -17C	-4F -20C	-13F -25C
BMS500-AAM018-1CSXXA	59F 15C	TC	27.35	25.82	21.67	20.74	20.59	19.46	19.21	13.98	12.54	11.6	9.54
		Input	1.87	1.79	1.66	1.6	2.01	1.95	1.93	1.83	1.8	1.76	1.71
		COP	4.28	4.21	3.83	3.8	3	2.92	2.92	2.24	2.04	1.93	1.64
	64.4F 18C	TC	26.94	25.43	21.34	20.43	20.28	19.17	18.92	13.77	12.35	11.43	9.4
		Input	1.9	1.82	1.69	1.63	2.04	1.98	1.96	1.86	1.83	1.79	1.74
		COP	4.16	4.1	3.7	3.67	2.91	2.84	2.83	2.17	1.98	1.87	1.58
	69F 20.5C	TC	26.67	23.96	19.66	18.93	17.13	15.94	15.02	9.66	8.14	7.69	6.54
		Input	1.97	1.95	1.88	1.8	1.76	1.68	1.63	1.52	1.47	1.46	1.44
		COP	3.96	3.59	3.05	3.08	2.85	2.78	2.7	1.86	1.62	1.54	1.33
	71.6F 22C	TC	26.27	23.6	19.37	18.65	16.87	15.7	14.79	9.52	8.02	7.57	6.44
		Input	2	1.98	1.91	1.83	1.79	1.71	1.66	1.55	1.5	1.49	1.47
		COP	3.85	3.49	2.97	2.99	2.76	2.69	2.61	1.8	1.57	1.49	1.28
BMS500-AAM027-1CSXXA	59F 15C	TC	40.88	36.92	22.22	20.43	22.31	21.04	20.66	20.15	18.73	17.25	14.95
		Input	2.71	2.96	2.16	2.05	2.47	2.39	2.36	2.67	2.65	2.63	2.59
		COP	4.43	3.65	3.02	2.92	2.65	2.58	2.57	2.21	2.07	1.92	1.69
	64.4F 18C	TC	40.27	36.37	21.89	20.12	21.98	20.72	20.35	19.85	18.45	16.99	14.73
		Input	2.74	2.99	2.19	2.08	2.5	2.42	2.39	2.7	2.68	2.66	2.62
		COP	4.31	3.56	2.93	2.84	2.58	2.51	2.5	2.15	2.02	1.87	1.65
	69F 20.5C	TC	40.71	36.22	22.11	20.13	21.09	21.08	20.94	16.82	14.52	12.26	10.94
		Input	3.17	3.04	2.33	2.29	2.58	2.71	2.7	2.53	2.46	2.31	2.29
		COP	3.76	3.49	2.78	2.58	2.4	2.28	2.27	1.95	1.73	1.56	1.4
	71.6F 22C	TC	40.1	35.68	21.78	19.83	20.77	20.76	20.63	16.57	14.3	12.08	10.78
		Input	3.2	3.07	2.36	2.32	2.61	2.74	2.73	2.56	2.49	2.34	2.32
		COP	3.67	3.41	2.7	2.5	2.33	2.22	2.21	1.9	1.68	1.51	1.36
BMS500-AAM036-1CSXXA	59F 15C	TC	41.89	38.47	36.09	34.15	32.46	31.06	30.77	26.33	24.84	22.52	20.54
		Input	3.37	3.27	3.12	3.08	3.59	3.53	3.51	3.43	3.42	3.4	3.36
		COP	3.64	3.45	3.39	3.25	2.65	2.58	2.57	2.25	2.13	1.94	1.79
	64.4F 18C	TC	41.26	37.89	35.55	33.64	31.97	30.59	30.31	25.94	24.47	22.18	20.23
		Input	3.4	3.3	3.15	3.11	3.62	3.56	3.54	3.46	3.45	3.43	3.39
		COP	3.56	3.37	3.31	3.17	2.59	2.52	2.51	2.2	2.08	1.9	1.75
	69F 20.5C	TC	40.27	37.21	36.08	33.96	31.86	27.13	26.67	21.31	19.02	17.05	15.65
		Input	3.3	3.21	3.18	3.14	3.64	3.5	3.45	3.18	3.16	3.14	3.08
		COP	3.58	3.4	3.33	3.17	2.57	2.27	2.27	1.96	1.76	1.59	1.49
	71.6F 22C	TC	39.67	36.65	35.54	33.45	31.38	26.72	26.27	20.99	18.73	16.79	15.42
		Input	3.33	3.24	3.21	3.17	3.67	3.53	3.48	3.21	3.19	3.17	3.11
		COP	3.49	3.32	3.24	3.09	2.51	2.22	2.21	1.92	1.72	1.55	1.45
BMS500-AAM048-1CSXXA	59F 15C	TC	67.67	56.74	44.08	40.56	36.61	34.15	33.67	29.48	27.13	25.31	23.94
		Input	4.41	4.36	4.28	4.06	4.48	4.32	4.3	4.28	4.26	4.26	4.15
		COP	4.5	3.81	3.02	2.93	2.4	2.32	2.29	2.02	1.87	1.74	1.69
	64.4F 18C	TC	66.65	55.89	43.42	39.95	36.06	33.64	33.16	29.04	26.72	24.93	23.58
		Input	4.47	4.42	4.34	4.12	4.54	4.38	4.36	4.34	4.32	4.32	4.21
		COP	4.37	3.71	2.93	2.84	2.33	2.25	2.23	1.96	1.81	1.69	1.64
	69F 20.5C	TC	65.74	55.83	42.09	38.56	35.94	30.42	30.07	26.12	24.88	17.45	15.64
		Input	5.04	4.71	4.63	4.43	4.58	4.19	4.16	4.04	4.7	3.6	3.56
		COP	3.82	3.47	2.66	2.55	2.3	2.13	2.12	1.89	1.55	1.42	1.29
	71.6F 22C	TC	64.43	54.71	41.25	37.79	35.22	29.81	29.47	25.6	24.38	17.1	15.33
		Input	5.09	4.76	4.68	4.48	4.63	4.24	4.21	4.09	4.75	3.65	3.61
		COP	3.71	3.37	2.58	2.47	2.23	2.06	2.05	1.83	1.5	1.37	1.24

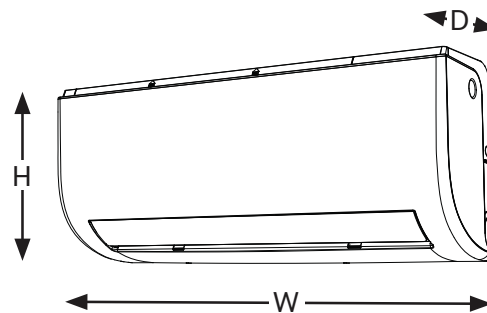
### Legend

- DB --- Dry Bulb
- WB --- Wet Bulb
- TC --- Total Net Capacity (1000 Btu/hour)
- SC --- Sensible Capacity (1000 Btu/hour)
- Input --- Total Power (kW)

**Unit Dimensions**



Outdoor Condensing Section



Indoor Air Handler

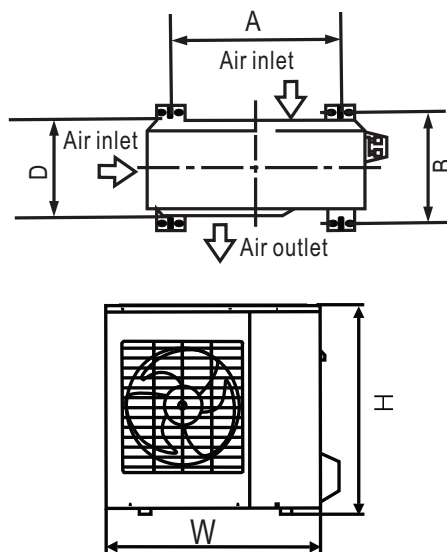
**Condensing Section Dimensions (In Inches)**

MODEL (OUTDOOR)	HEIGHT (H)	WIDTH (W)	DEPTH (D)	WEIGHT
BMS500-AAS009- 0CSXXA	21.85	30.31	11.81	63.9
BMS500-AAS012- 0CSXXA	21.81	31.50	13.11	81.6
BMS500-AAS009- 1CSXXA	21.85	30.31	11.81	63.9
BMS500-AAS012- 1CSXXA	21.81	31.50	13.11	81.6
BMS500-AAS018- 1CSXXA	27.64	33.27	14.29	101.0
BMS500-AAS024- 1CSXXA	31.89	37.24	16.54	136.7
BMS500-AAM018- 1CSXXA	27.64	33.27	14.29	105.8
BMS500-AAM027- 1CSXXA	31.89	37.24	16.14	149.9
BMS500-AAM036- 1CSXXA	31.89	37.24	16.14	156.5
BMS500-AAM048- 1CSXXA	52.48	37.48	16.34	223.8

**Air Handler Dimensions (In Inches)**

MODEL (INDOOR)	HEIGHT (H)	WIDTH (W)	DEPTH (D)	WEIGHT
BMS500-AAU009- 0AHXXA	11.81	31.65	7.60	18.7
BMS500-AAU012- 0AHXXA	11.81	31.65	7.60	18.7
BMS500-AAU009- 1AHXXA	11.81	31.65	7.60	18.7
BMS500-AAU012- 1AHXXA	11.81	31.65	7.60	18.7
BMS500-AAU018- 1AHXXA	13.46	43.54	9.13	29.1
BMS500-AAU024- 1AHXXA	13.46	43.54	9.13	29.1

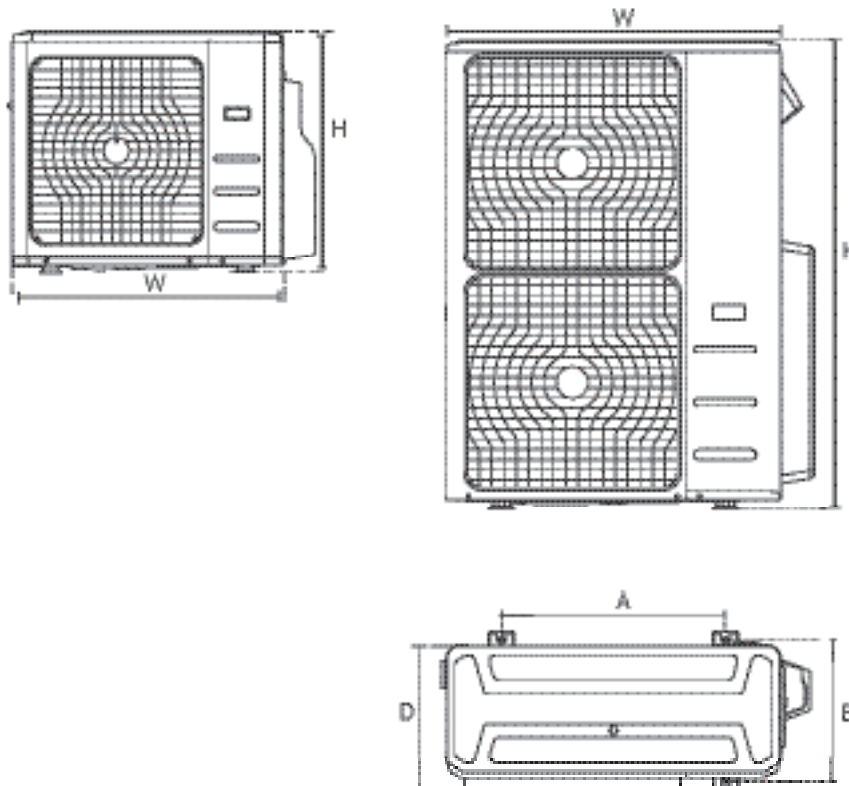
Single Zone Mounting Dimensions



Single Zone Mounting Dimensions (In Inches)

MODEL (OUTDOOR)	Outdoor Unit Dimensions (mm/in)	Mounting Dimensions	
	W x H x D	Distance A (mm/in)	Distance B (mm/in)
Climate 5000 AAS-009-0CS, Climate 5000 AAS-009-1CS	770x555x300 (30.3"x21.85"x11.81")	487 (19.2")	298 (11.73")
Climate 5000 AAS-012-0CS, Climate 5000 AAS-012-1CS	800x554x333 (31.5"x21.8"x13.1")	514 (20.24")	340 (13.39")
Climate 5000 AAS-018-1CS	845x702x363 (33.25"x27.63"x14.29")	540 (21.26")	350 (13.8")
Climate 5000 AAS-024-1CS	946x810x420 (37.21"x31.9"x16.53")	673 (26.5")	403 (15.87")

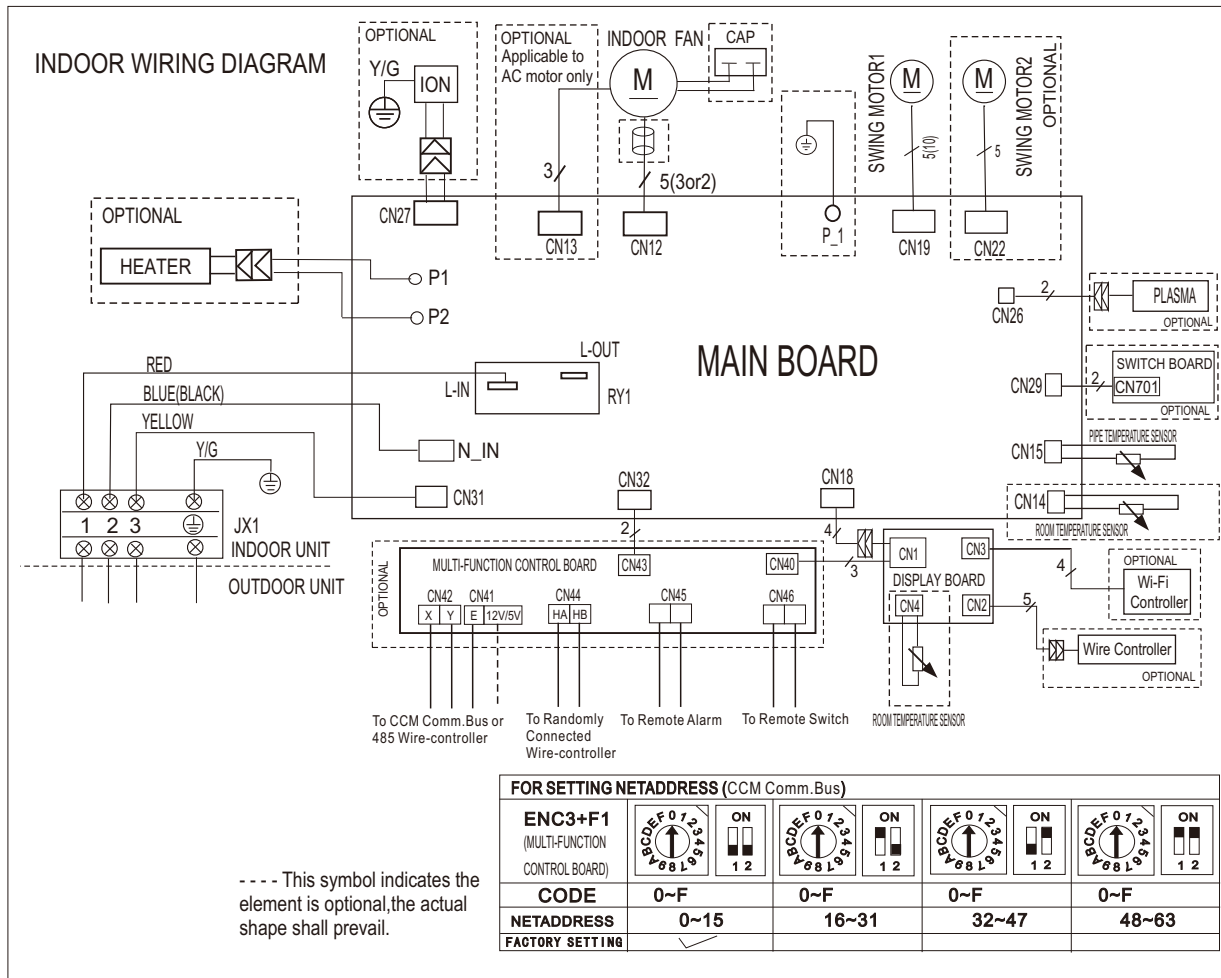
Multi Zone Mounting Dimensions



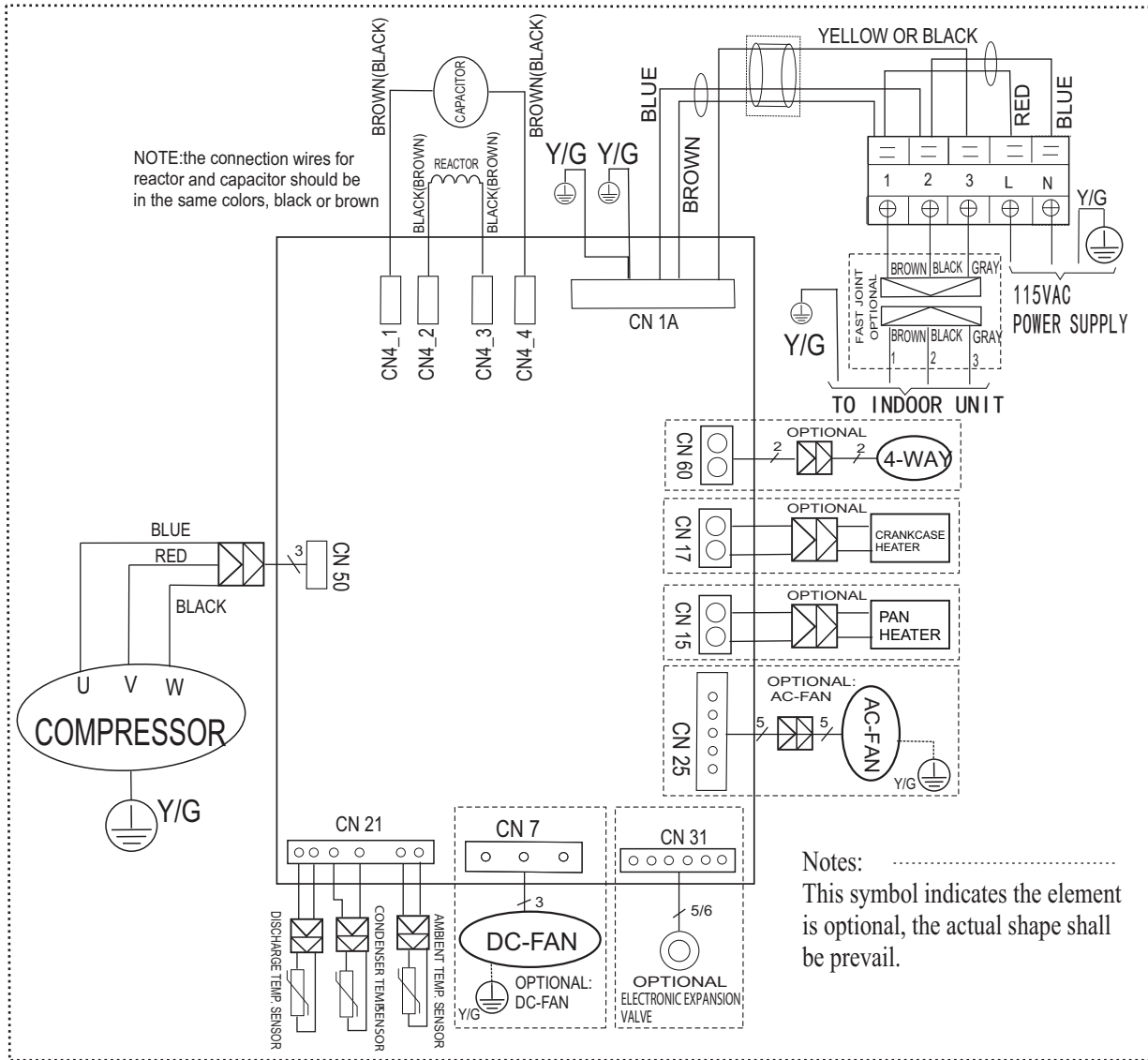
Multi Zone Mounting Dimensions (In Inches)

MODEL (OUTDOOR)	Outdoor Unit Dimensions (mm/in)	Mounting Dimensions	
	W x H x D	Distance A (mm/in)	Distance B (mm/in)
BMS500-AAM018-1CSXXA	33.3x14.3x27.6	21.3 (540)	13.8 (350)
BMS500-AAM027-1CSXXA	37.2x16.1x31.9	26.5 (673)	15.9 (403)
BMS500-AAM036-1CSXXA	37.2x16.1x31.9	26.5 (673)	15.9 (403)
BMS500-AAM048-1CSXXA	37.5x16.3x52.5	25.0 (634)	15.9 (404)

Indoor Unit Wiring Diagram

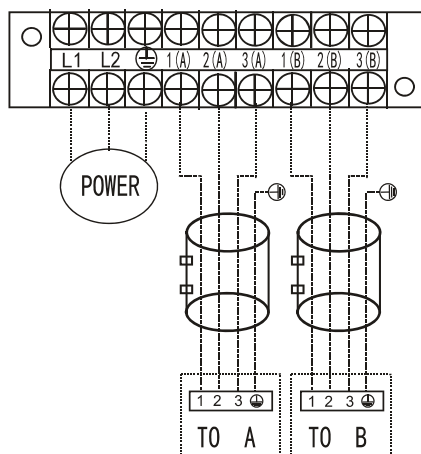


Outdoor Unit Wiring Diagram

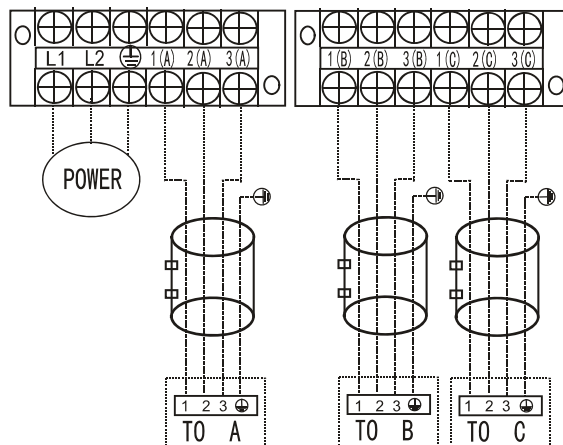


Notes:  
This symbol indicates the element is optional, the actual shape shall be prevail.

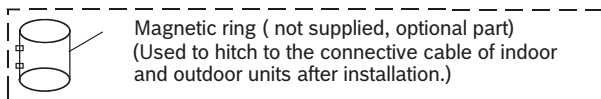
Multi Zone Wiring Diagram



One-two model

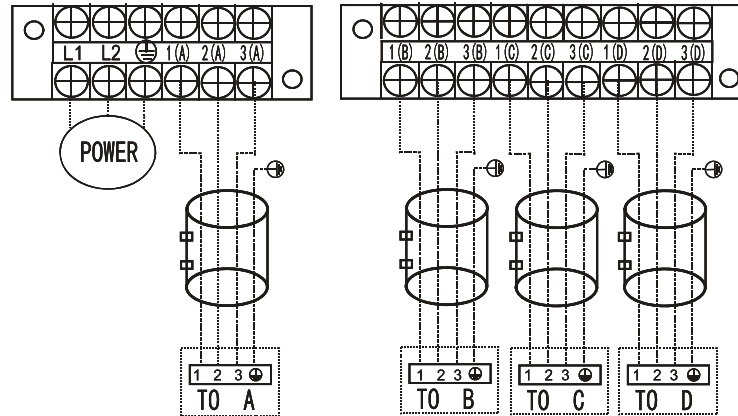


One-three model

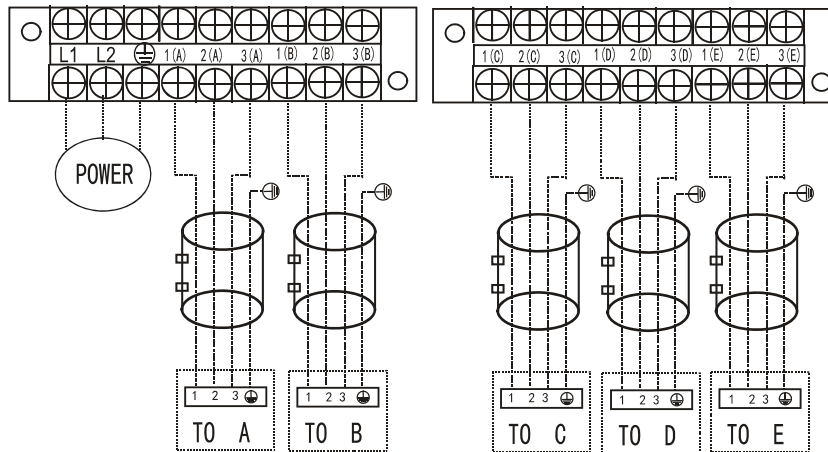




Multi Zone Wiring Diagram



One-four model



One-five model

