

Climate 5000 Series





18K BTU Single Zone Regular System

Wall Mounted IDU

Engineering
 Submittal
 Sheet



BOSCH

| Overview and Project Information | |
|---|--------------------|
|     | Project name |
| | Location |
| | Architect |
| | Engineer |
| | General contractor |
| | Reference # |

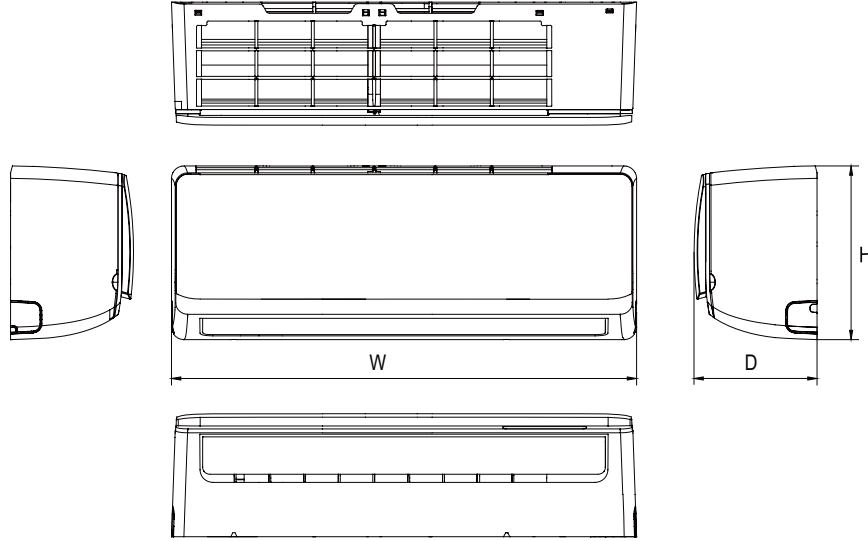
| 18K Btu Single Zone Regular System - Wall Mounted IDU | | | |
|---|-------------------|----------------------|-------------------|
| Indoor part number | | 8733956177 | |
| Indoor model number | | BMS500-AAU018-1AHWXC | |
| Outdoor part number | | 8733956191 | |
| Outdoor model number | | BMS500-AAS018-1CSXRC | |
| Efficiency Data | | AHRI 210/240 2017 | AHRI 210/240 2023 |
| SEER | | 22.60 | 23.50 |
| EER | | 12.50 | 12.50 |
| HSPF Region IV | | 12.0 | 10.8 |
| HSPF Region V | | 10.0 | 7.8 |
| COP(47F) | | 3.37 | 3.37 |
| COP (5F) | | 2.20 | 2.02 |
| Performance Data | | AHRI 210/240 2017 | AHRI 210/240 2023 |
| Cooling | Capacity Range | 2000~19300 | 5450~19300 |
| | Rated Capacity | 18000 | 18000 |
| | Current | 6.45 | 6.45 |
| | Input Power | 1440 | 1440 |
| | Heating | | 6200~21000 |
| Capacity Range | | 6200~21000 | 6200~21000 |
| Rated Capacity (47F) | | 19000 | 19000 |
| Rated Capacity (5F) | | 12200 | 11300 |
| Current | | 7.40 | 7.40 |
| Input Power | | 1650 | 1650 |
| Electrical Data | | | |
| Power supply (V / Ø / Hz) | | 208-230 / 1 / 60 | |
| Min. circuit ampacity indoor/outdoor (A) | | 3.0 / 17.0 | |
| Max. fuse indoor/outdoor (A) | | 15.0 / 25.0 | |
| Compressor Data | | | |
| Type: | | Rotary | |
| Refrigerant oil /oil charge (ml) | | VG74 / 440 | |
| Input (W) | | 1050 | |
| Rated current (RLA/A) | | 13.6 | |
| Operation Range | | | |
| ODU | Cooling (°F / °C) | -13~122 / -25~50 | |
| | Heating (°F / °C) | -13~86 / -25~30 | |
| IDU | Cooling (°F / °C) | 60~90 / 16~32 | |
| | Heating (°F / °C) | 32~86 / 0~30 | |

| Piping | | |
|-------------------------------------|--------------------------------|--------------------------|
| Refrigerant precharge (oz/g) | 56.44 / 1600 | |
| Length for precharge (ft/m) | 25 / 7.6 | |
| Liquid side (in/mm) | 1/4" / Ø6.35 | |
| Gas side (in/mm) | 1/2" / Ø12.7 | |
| Additional charge per ft (oz/g) | 0.16 / 15 | |
| Max. refrigerant pipe length (ft/m) | 98 / 30 | |
| Max. difference in height (ft/m) | 66 / 20 | |
| System Data | | |
| Refrigerant type | R410A | |
| Design pressure (PSIG) | 550 / 340 | |
| Dehumidification (pts/hr) | 3.79 | |
| IDU | Fan motor model | ZKFP-30-8-3-10 |
| | Fan motor qty (ea) | 1 |
| | Fan motor input (W) | 36 |
| | Fan speed (RPM) | 1240 / 1024 / 916 |
| | Air flow, H / M / L (CFM) | 523.53 / 376.47 / 305.88 |
| | Approx. Air Throw Range ft (m) | 4.9(1.5)-31(9.5) |
| | Noise level, H / M / L (dB(A)) | 46.5 / 43 / 32.5 |
| | Net weight (lbs / kg) | 28.66 / 13.0 |
| | Gross weight (lbs / kg) | 37.48 / 17.0 |
| | ODU | Fan motor model |
| Fan motor qty (ea) | | 1 |
| Fan motor input (W) | | 88.0 |
| Fan motor speed, H / L (RPM) | | 810 / 720 |
| Air flow, Max (CFM) | | 1765 |
| Noise level, Max (dB(A)) | | 58 |
| Net weight (lbs / kg) | | 95.02 / 43.1 |
| Gross weight (lbs / kg) | 101.85 / 46.2 | |
| Accessories | | |
| BMS-WT1-XXC (8733956179) | Wired Wall Thermostat | |
| BMS-DRY-XXX (8733953129) | 24V Interface | |
| BMS-PK2-7X1 (8733951011) | 25ft Lineset | |
| BMS-PK2-5X1 (8733951017) | 16ft Lineset | |
| Standard Parts | | |
| 8-733-956-822 | Remote Control | |

Climate 5000 Series
18K Btu Single Zone Regular System - Wall Mounted IDU

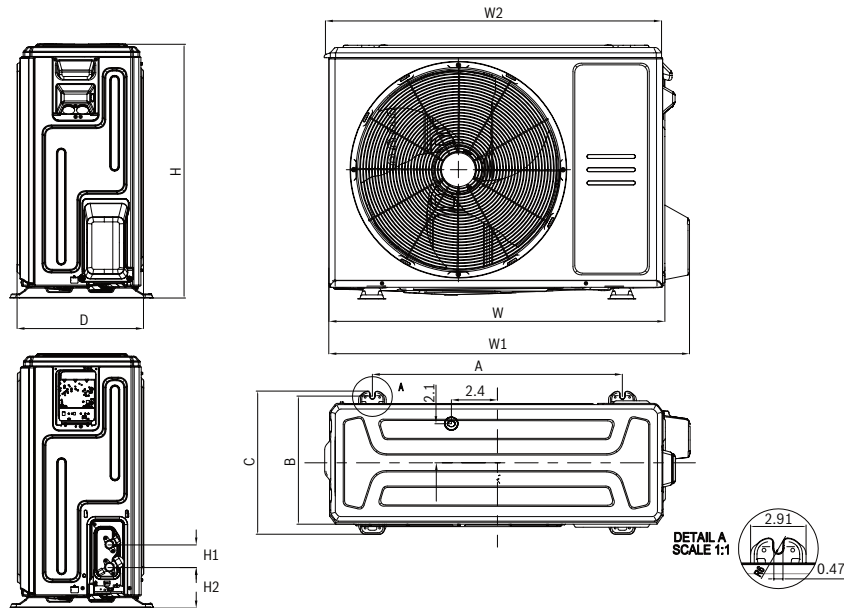


Indoor Unit Dimensions and Connections



| Model | W (in) | D (in) | H (in) |
|----------------------|--------|--------|--------|
| BMS500-AAU018-1AHWXC | 40.0 | 9.5 | 12.6 |

Outdoor Unit Dimensions and Connections



| Model | W (in) | D (in) | H (in) | W1 (in) | W2 (in) | H1 (in) | H2 (in) | A (in) | B (in) | C (in) |
|----------------------|--------|--------|--------|---------|---------|---------|---------|--------|--------|--------|
| BMS500-AAS018-1CSXRC | 35.0 | 13.5 | 26.5 | 37.6 | 35.2 | 2.4 | 4.3 | 26.1 | 13.9 | 15.0 |