

Micro-Channel Manufactured Housing Indoor Coils



C8DA
Sweat Fit
Uncased Coil



C8QA
AccuCharge®
Uncased Coil



C7BH
Sweat Fit
Cased Coil

Evolving Government Standards make it more difficult than ever to find the right AHRI match that will fit manufactured-home furnaces.

Traditional HUD and Modular Footprints to fit all types of manufactured housing furnaces and coil cavities; C8 coils fit the industry standard 20"W x 24"D HUD furnaces, while C7 coils are available in 4 different footprints for modular furnaces – also commonly used in site-built homes.

Micro-Channel Systems Reduce Cost by utilizing fully aluminum coils and less system refrigerant charge, as compared to traditional Tube-in-Fin coils with a large amount of expensive copper.

Revolv Condenser AHRI-Matched Ratings with C8 (Sweat Fit/Quick Connect) or C7 (Sweat Fit) A-coils, for air conditioning and heat pump applications, which can be found in the AHRI Certified Products Directory.

Pre-installed TXV, UL® Listed, and Leak Tested to 500psi; with a code-approved 2-opening, dry-type drain pan that does not maintain standing water.

Dependable Warranty and Support, handled directly by Style Crest's dedicated HVAC Team, offering the most competitive warranty coverage and service in the Manufactured Housing Industry.



Coil
Accessory
Kit

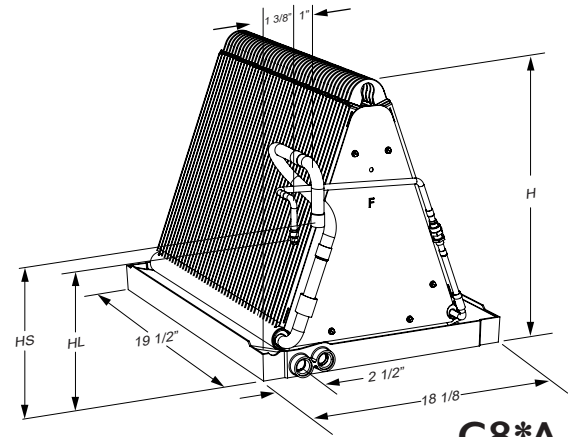
Micro-Channel Manufactured Housing Indoor Coils

C8D Sweat Fit Coils

Style Crest Item #	H
C8DAMX24U-B	18"
C8DAMX30U-B	18"
C8DAMX36U-B	18"
C8DAMX42U-B	25"
C8DAMX49U-B	29"
C8DAM01830U-B	18"
C8DAM036U-B	18"

C8Q AccuCharge® Coils

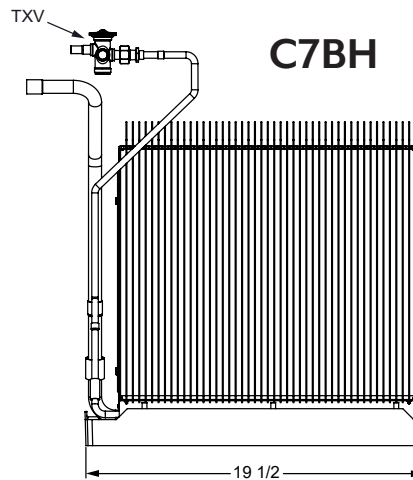
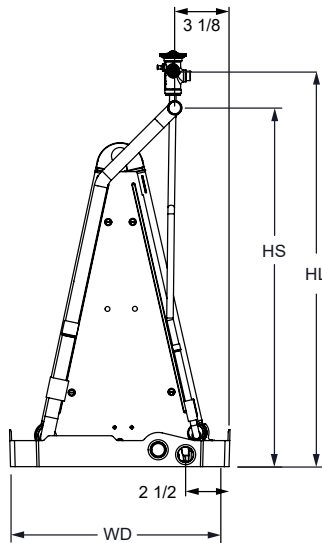
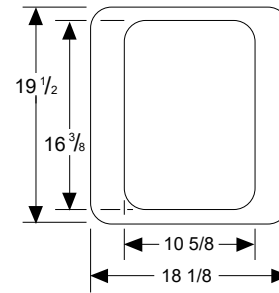
Style Crest Item #	H
C8QAMX24U-B	18"
C8QAMX30U-B	18"
C8QAMX36U-B	18"
C8QAMX42U-B	25"
C8QAMX49U-B	29"
C8QAM024U-B	18"
C8QAM030U-B	18"
C8QAM036U-B	18"



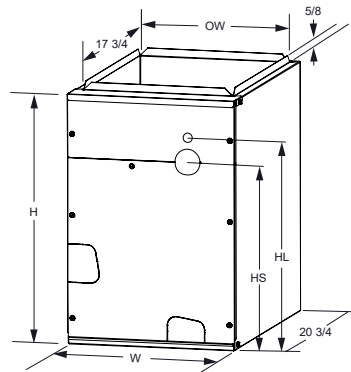
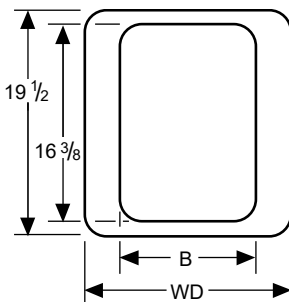
C8*A

Charted C7BH Dimensions

Casing # ¹	Cabinet	W	H	OW	HL	HS	B	WD
920256	A	14 1/4"	20 3/4"	12 7/8"	17 1/2"	15 1/2"	6 5/8"	12 3/4"
920258	B	17 1/2"	20 3/4"	16 1/8"	17 1/2"	15 1/2"	9 7/8"	16"
920259	B	17 1/2"	26 3/4"	16 1/8"	23 1/2"	21 1/2"	9 7/8"	16"
920260	C	21"	26 3/4"	19 5/8"	23 1/2"	21 1/2"	12 3/8"	19 1/2"
920261	C	21"	30 1/4"	19 5/8"	27"	25"	12 3/8"	19 1/2"
920262	D	24 1/2"	30 1/4"	23 1/8"	27"	25"	16 7/8"	23"



C7BH



C7 Sweat Fit Cased Coils

Model #	Casing # ¹
C7BHMx24C-A	920256
C7BHMx30C-A	920256
C7BHMx24C-B	920258
C7BHMx30C-B	920259
C7BHMx36C-B	920259
C7BHMx42C-B	920259
C7BHMx30C-C	920260
C7BHMx36C-C	920260
C7BHMx42C-C	920260
C7BHMx48C-C	920261
C7BHMx60C-C	920261
C7BHMx48C-D	920262
C7BHMx60C-D	920262

Consult the AHRI Certified Products Directory for applicable Revolv condenser matches.
 1) This is for OEM replacement purposes only, as the casing is included with all C7BH coil models.