

Cush-a-Glide™

Cush-A-Glide is designed for fast installation of copper tube or pipe, and can be easily installed in seconds with fasteners of your choice. Just spread the clamp apart placing it over the top of a tube or pipe and fasten one side. Push in the opposite side to the desired tightness, allowing for expansion and contraction, then fasten the other side.

- Allows for expansion and contraction of copper tube and pipe
- Excellent alternative to stainless or galvanized clamps
- Fits tightly and securely against mounting surfaces
- Made from trusted high quality TPE material
- One piece molded split ring design
- Suitable for indoor or outdoor applications
- Temperature range of -50°F to 275°F (-45°C to 135°C)
- Will not rust and prevents and eliminates galvanic corrosion
- Made in the USA

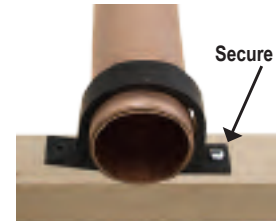


Step 1: Spread open Cush-a-Glide, and place it over tube, pipe, or hose

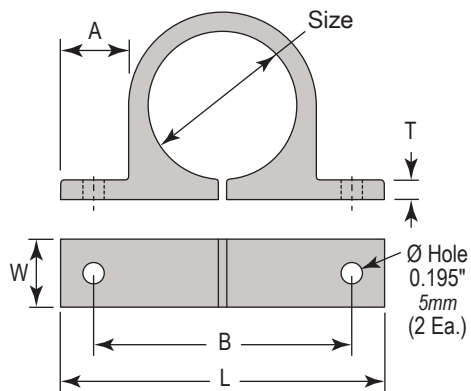
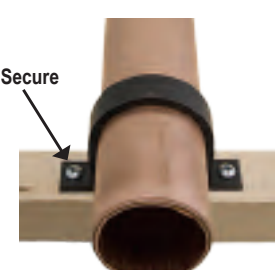
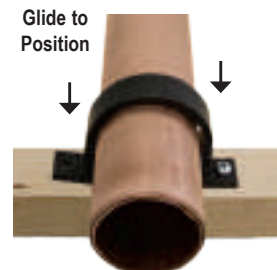
Step 2: Secure one side of Cush-a-Glide with a fastener of your choice



Step 3: Simply glide tube or pipe through the Cush-a-Glide to desired position



Step 4: Fasten second side of the Cush-a-Glide



Part No.	Pipe, Hose or Tube Size	Size	Dimensions – inches				
			A	B	L	T Thickness	W
CAGB04	1/4"	0.245" (6mm)	0.500" (13mm)	1.000" (25mm)	1.465" (37mm)	0.110" (3mm)	0.375" (10mm)
CAGB06	3/8"	0.370" (9mm)		1.125" (29mm)	1.590" (40mm)		
CAGB08	1/2"	0.495" (13mm)		1.250" (32mm)	1.715" (44mm)		
CAGB10	5/8"	0.620" (16mm)	0.563" (14mm)	1.500" (38mm)	2.045" (52mm)	0.150" (4mm)	0.500" (13mm)
CAGB14	7/8"	0.870" (22mm)		1.750" (44mm)	2.295" (58mm)		
CAGB18	1 1/8"	1.120" (28mm)	0.625" (16mm)	2.125" (54mm)	2.730" (69mm)	0.180" (5mm)	0.625" (16mm)
CAGB20	1 1/4"	1.250" (32mm)		2.250" (57mm)	2.855" (73mm)		
CAGB22	1 3/8"	1.370" (35mm)		2.375" (60mm)	2.980" (76mm)		
CAGB26	1 5/8"	1.620" (41mm)		2.625" (67mm)	3.230" (82mm)		
CAGB34	2 1/8"	2.120" (54mm)		3.125" (79mm)	3.730" (95mm)		0.750" (19mm)

