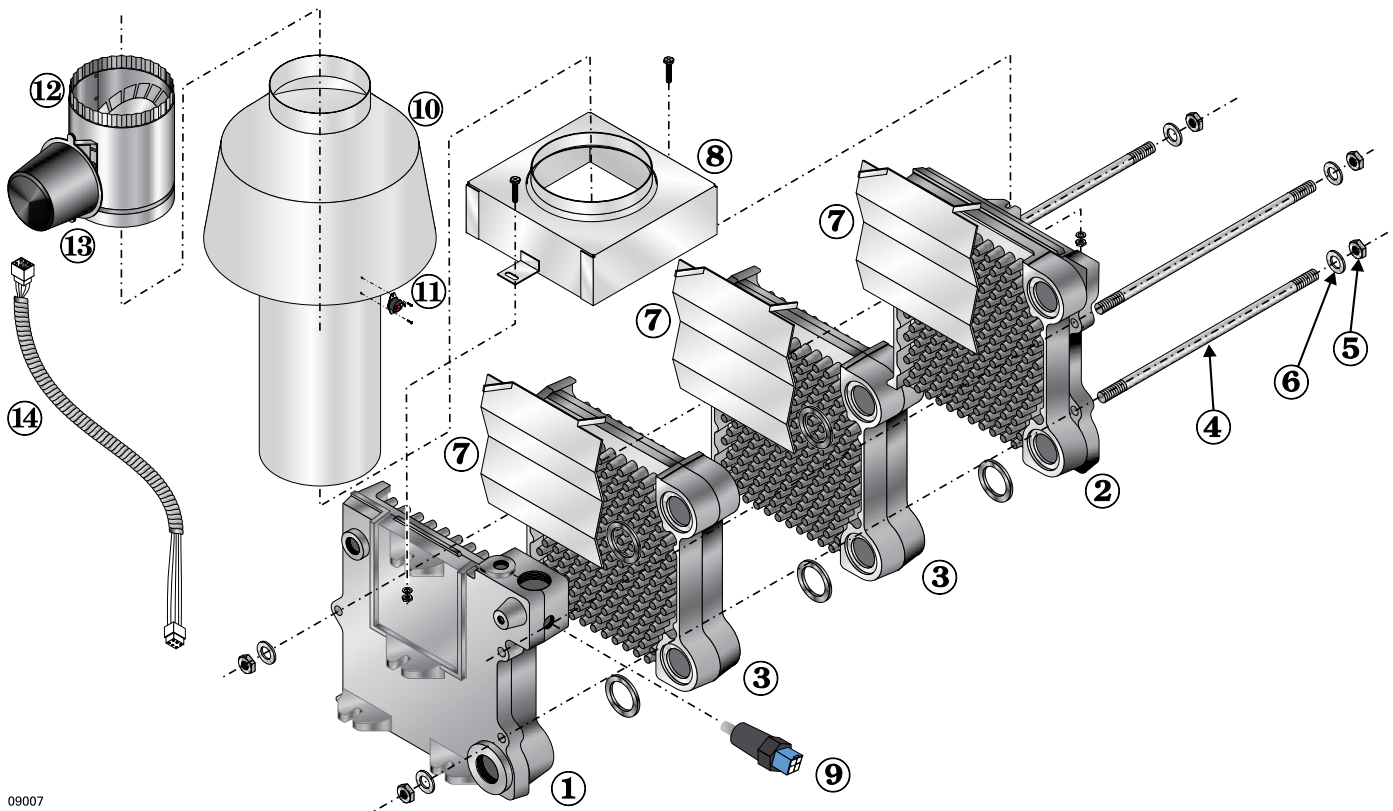




12b Replacement parts – section assembly

Figure 31 Section assembly, flue collector, draft hood and vent damper



09007

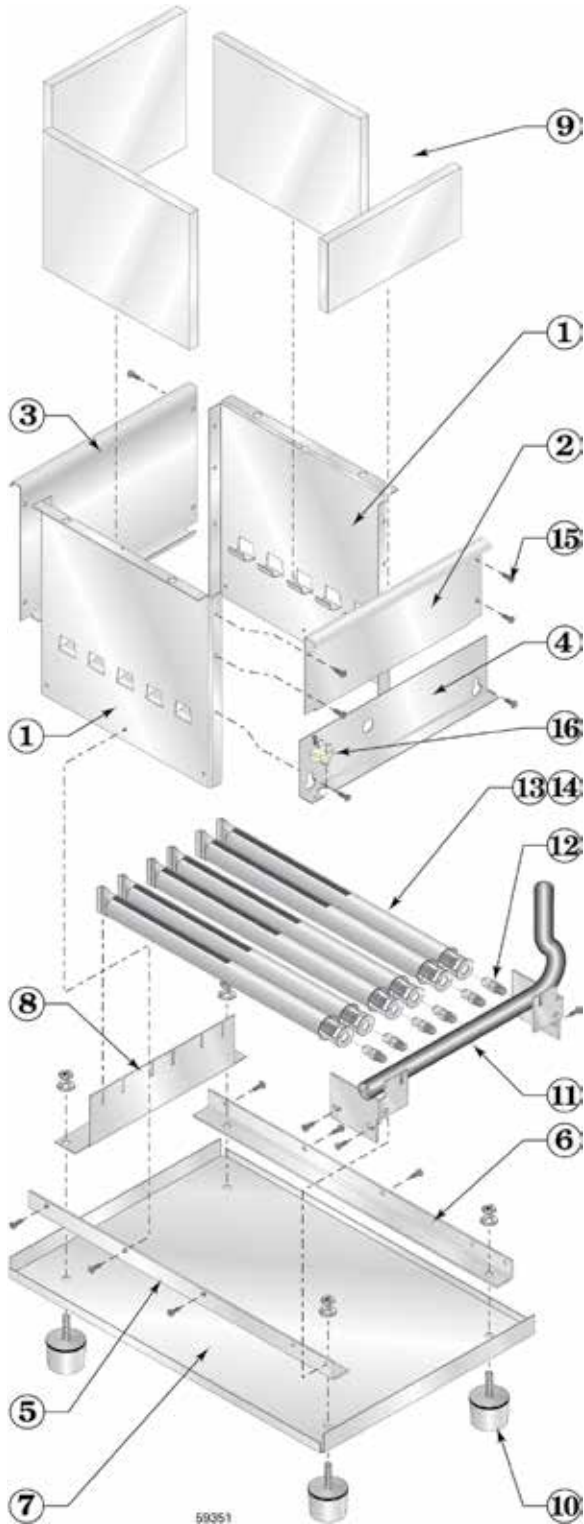
Item number	Description	Part number
1	End section, left hand, 51124	311-103-851
2	End section, right hand 51128	311-103-821
3	Intermediate section, 51127	311-103-845
not shown	Replacement section assembly	CGa-25 and CGa-3 321-114-360 CGa-4 321-114-361 CGa-5 321-114-362 CGa-6 321-114-363 CGa-7 321-114-364 CGa-8 321-114-365
not shown	Section replacement kit, includes seals and sealant for 1 joint	381-354-527
4	Tie rod, 7/16" without nut (3 per boiler):	CGa-25 & CGa-3 560-234-500 CGa-4 560-234-501 CGa-5 560-234-502 CGa-6 560-234-503 CGa-7 560-234-504 CGa-8 560-234-505
5	Nut, 7/16" (2 per tie rod)	561-928-235
6	Washer, 7/16" (1 per tie rod)	562-248-684
7	Radiation plate (1 per joint)	CGa 25 & 3 460-003-018 CGa 4-8 460-003-017
8	Collector hood	CGa-25 381-354-625 CGa-3 381-354-626 CGa-4 381-354-627 CGa-5 381-354-628 CGa-6 381-354-926 CGa-7 381-354-630 CGa-8 381-354-631

Item number	Description	Part number
9	Temperature/LWCO sensor	511-724-305
10	Draft hood	CGa-25 450-021-240 CGa-3 450-021-241 CGa-4 450-021-242 CGa-5 450-021-243 CGa-6 450-021-244 CGa-7 450-021-245 CGa-8 450-021-246
11	Spill switch (210°F)	CGa-25 - 8 510-300-013
12	Vent Damper	CGa-25 & 3 4" 381-800-474 CGa-4 5" 381-800-475 CGa-5 & 6 6" 381-800-476 CGa-7 & 8 7" 381-800-477
13	Vent Damper Actuator	510-512-337
14	Vent Damper Harness	591-391-795



12c Replacement parts – base

Figure 32 Base assembly, manifold, orifices and burners

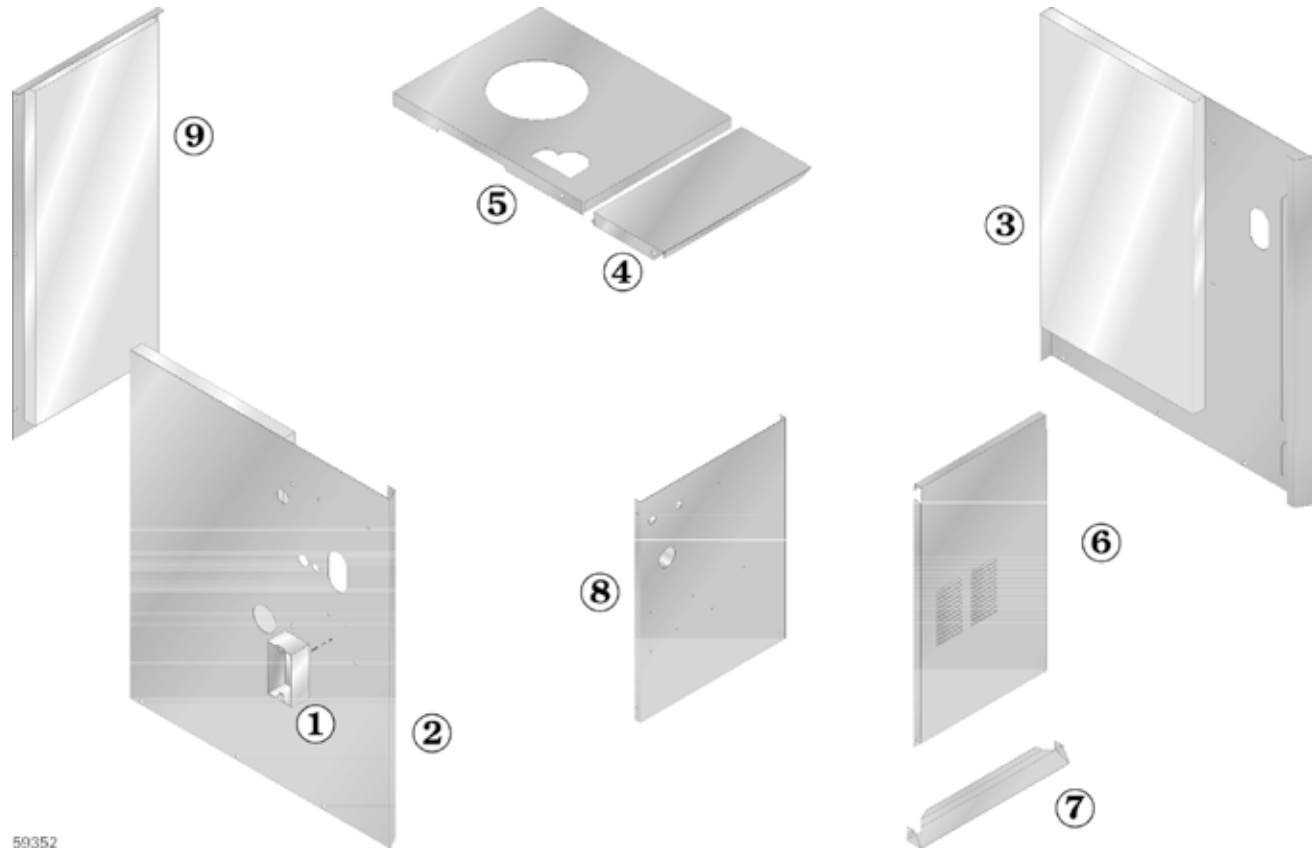


Item number	Description		Part number
	Base assembly kit (includes base panels items 1, 2, 3, 4, 5, 6 and 7, plus insulation, air box gaskets, and hardware))	CGa-25	381-354-362
		CGa-3	381-354-356
		CGa-4	381-354-357
		CGa-5	381-354-358
		CGa-6	381-354-359
		CGa-7	381-354-360
	CGa-8	381-354-361	
1	Base side panel (in Base assembly)		
2	Base front cross-tie assembly (in Base assembly)		
3	Base back cross-tie assembly (in Base assembly)		
4	Access panel (in Base assembly)		
5	Base pan angle, left side (in Base assembly)		
6	Base pan angle, right side (in Base assembly)		
7	Base pan (in Base assembly)		
8	Burner rest	CGa-25	450-003-742
		CGa-3	450-003-736
		CGa-4	450-003-737
		CGa-5	450-003-738
		CGa-6	450-003-739
		CGa-7	450-003-740
	CGa-8	450-003-741	
9	Base insulation kit (included insulation for all base parts above plus gasket material needed between block assembly and base)	CGa-25	381-354-518
		CGa-3	381-354-518
		CGa-4	381-354-518
		CGa-5	381-354-518
		CGa-6	381-354-519
		CGa-7	381-354-519
	CGa-8	381-354-519	
10	Boiler leg kit		590-424-253
11	Manifold	CGa-25	591-126-615
		CGa-3	591-126-616
		CGa-4	591-126-617
		CGa-5	591-126-618
		CGa-6	591-126-619
		CGa-7	591-126-556
	CGa-8	591-126-557	
12	Main burner orifice – Natural gas, sea level		560-528-997
	Main burner orifice – Natural gas, sea level		560-528-998
13	Burner, stainless steel		512-200-077
14	Burner with pilot		512-200-078
15	Screw, 10-32 x 0.38 STP type D hex, washer head slot		available at local supply house
16	Rollout thermal fuse element		512-050-230



12d Replacement parts – jacket

Figure 33 Jacket assembly



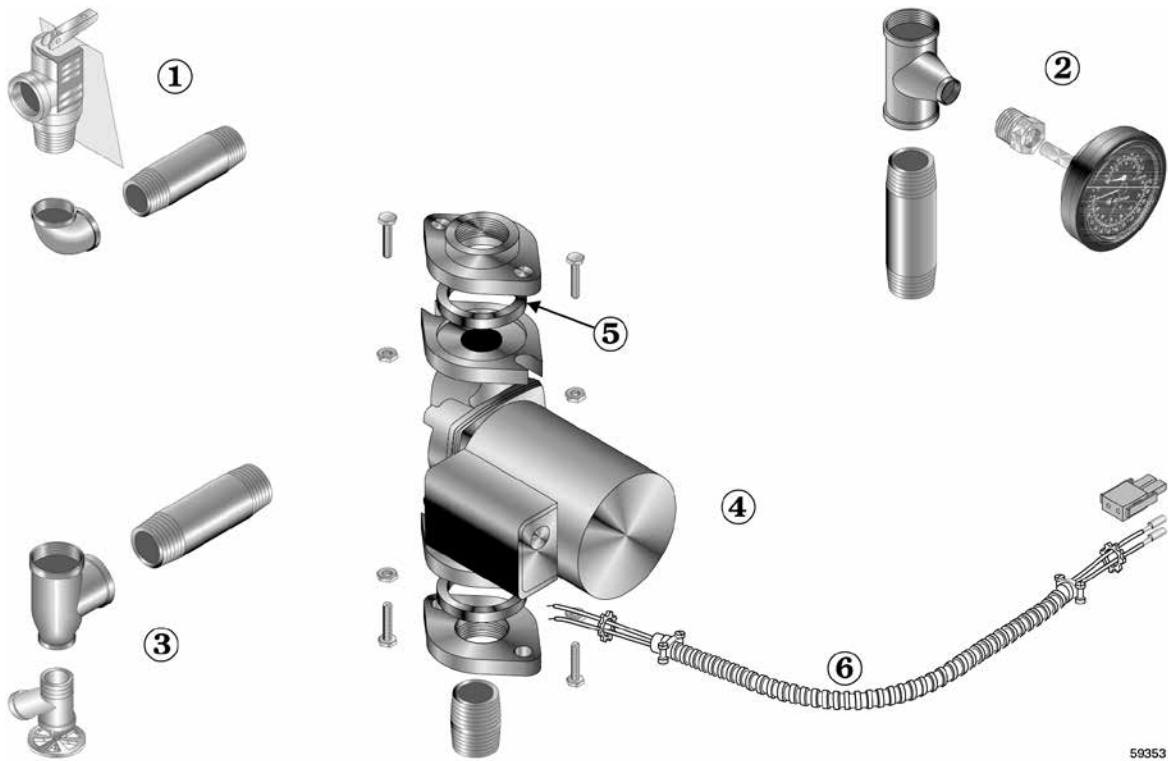
59352

Boiler Model	1	2		3	4	5	Boiler Model
	Junction box, 2 x 4	Jacket panel, left side, with insulation		Jacket panel, right side, with insulation	Jacket panel, top front	Jacket panel, top rear	
		Natural Gas Spark Pilot	Propane Gas Spark Pilot				
	Part numbers						
CGa-25		381-359-201	381-359-208	381-359-229	381-359-230	381-359-236	CGa-25
CGa-3		381-359-202	381-359-209	381-359-229	381-359-230	381-359-236	CGa-3
CGa-4		381-359-203	381-359-210	381-359-229	381-359-231	381-359-237	CGa-4
CGa-5	(Available at local supply house)	381-359-204	381-359-211	381-359-229	381-359-232	381-359-238	CGa-5
CGa-6		381-359-205	381-359-212	381-359-229	381-359-233	381-359-239	CGa-6
CGa-7		381-359-206	381-359-213	381-359-229	381-359-234	381-359-240	CGa-7
CGa-8		381-359-207	381-359-214	381-359-229	381-359-235	381-359-241	CGa-8
Boiler Model	6	7	8	9	10		Boiler Model
	Jacket panel, door	Jacket cross tie, bottom front	Jacket panel, interior, with insulation	Jacket panel, rear, with insulation	Not shown – touch-up paint		
	Part numbers						
CGa-25	381-359-248	381-359-260	381-359-266	381-359-272			CGa-25
CGa-3	381-359-248	381-359-260	381-359-266	381-359-272			CGa-3
CGa-4	381-359-249	381-359-261	381-359-267	381-359-273	381-359-278	Cloud	CGa-4
CGa-5	381-359-250	381-359-262	381-359-268	381-359-274	384-000-141	Slate	CGa-5
CGa-6	381-359-251	381-359-263	381-359-269	381-359-275			CGa-6
CGa-7	381-35-9252	381-359-264	381-359-270	381-359-276			CGa-7
CGa-8	381-359-253	381-359-265	381-359-271	381-359-277			CGa-8



12e Replacement parts — trim

Figure 34 Trim assembly



59353

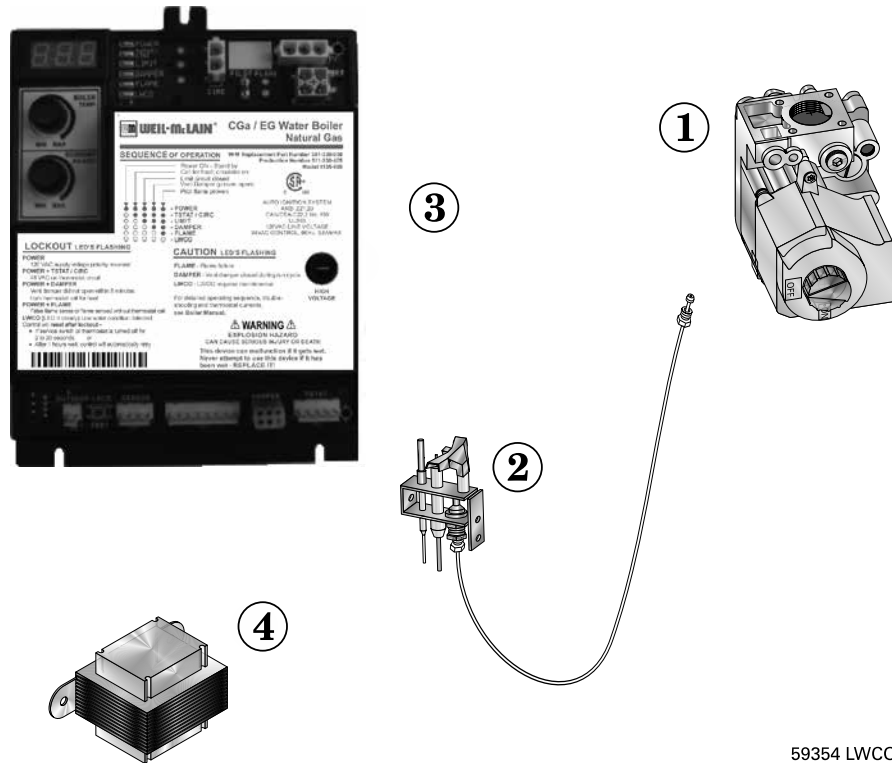
Item number	Description	Part number	
1	Pressure relief valve, ASME, 30 PSIG, 3/4" male inlet	511-546-920	
	Pressure relief valve, ASME, 30 PSIG, 3/4" female inlet (Fittings shown are factory-installed on boiler.)	511-546-924	
2	Combination pressure-temperature gauge, 3/8," diameter, short shank (Fittings shown are shipped loose with boiler.)	380-000-000	
3	Drain valve, 3/4" (Fittings shown are included with boiler.)	511-210-423	
4	Circulator (Fittings shown are shipped loose with boiler.)	CGa 25 - 5 CGa 6 - 8	511-405-153 511-405-113
5	Circulator gasket, universal (2 per boiler)		590-317-535
not shown	Circulator hardware kit, includes: 1 flange, 2 nuts, 2 screws, 1 gasket — 3/4" NPT — CGa-25 ----- 1" NPT — CGa-3 through CGa-5 ----- 1 1/4" NPT — CGa-6 and CGa-7 ----- 1 1/2" NPT — CGa-8 -----		381-354-530 381-354-525 381-354-526 381-354-531
6	Circulator wiring harness kit, spark-ignited with Molex (loose)		381-356-528



12f Replacement parts – controls

Figure 35 Gas control components

Spark-ignited pilot controls



59354 LWCO

Item number	Description	Boiler model	Part number
Natural gas components			
1	Gas Valve, 1/2" x 1/2"	CGa-25 through CGa-6	511-044-381
	Gas valve, 3/4" x 3/4"	CGa-7 & CGa-8	511-044-382
2	Pilot kit w/orifice & aluminum pilot gas tubing		511-330-218
Liquefied Petroleum (Propane) gas components			
1	Gas Valve, 3/4" x 3/4"	CGa-25 through CGa-7	511-044-356
	Gas Valve, 3/4" x 3/4"	CGa-8	511-044-366
2	Pilot kit w/orifice & aluminum pilot gas tubing		511-330-273
Natural gas and Liquefied Petroleum (Propane) gas components			
3	Control Module - Natural gas		381-330-039
	- Liquefied Petroleum (Propane) gas		381-330-038
not shown	Wiring Harness, Junction box to Control Module		591-391-975
not shown	Wiring Harness, Controls to Control Module		591-391-977
not shown	Wiring Harness, Thermostat		591-392-006
not shown	Wiring Harness, Water Temperature/LWCO Sensor		591-391-995
4	Control Transformer		381-356-578