



SINGLE STAGE CONDENSING GAS QUADPOISE FURNACE SPECIFICATIONS

| MODEL NO. | CLQS1-050T36N | CLQS1-075T42N | CLQS1-100T48N | CLQS1-125T60N |
|---|--------------------------------------|-------------------------|-------------------------|-------------------------|
| FUEL | GAS NAT/LP ⁴ | GAS NAT/LP ⁴ | GAS NAT/LP ⁴ | GAS NAT/LP ⁴ |
| INPUT BTUH | 50,000 | 75,000 | 100,000 | 125,000 |
| OUTPUT BTUH ¹ | 48,000 | 73,000 | 96,000 | 120,000 |
| SEASONAL EFFICIENCY ² | 95.0% | 95.0% | 95.0% | 95.0% |
| LARGEST REC A/C ³ | 3 T | 3.5 T | 4 T | 5 T |
| NOMINAL TEMP RISE | 60° | 60° | 60° | 60° |
| APPROX EFFECTIVE HEATING SURFACE | 4225 SQ IN. | 4490 SQ IN. | 5550 SQ IN. | 5815 SQ IN. |
| APPROX SHIPPING WEIGHT | 155 LBS | 166 LBS | 183 LBS | 196 LBS |
| APPROVAL AGENCY | ETL | ETL | ETL | ETL |
| DIA OF FLUE (PVC) | 2" | 2" | 3" | 3" |
| DIA OF COMBUSTION AIRINTAKE (PVC) | 2" | 2" | 3" | 3" |
| SUPPLY AIR OUTLET SIZE (W-IN x D-IN) | 16-1/2" x 20" (20"x20") ⁵ | 20" x 20" | 20" x 20" | 20" x 20" |
| RETURN AIR DUCTWORK CONNECTION ON FILTER RACK (D-IN x H-IN) | 24-1/2" x 15" | 24-1/2" x 15" | 24-1/2" x 15" | 23-3/4" x 19" |
| CASING (TO BE CUTOUT BY DEALER) (D-IN x H-IN) | 23-1/8" x 14-1/8" | 23-1/8" x 14-1/8" | 23-1/8" x 14-1/8" | 23-1/8" x 14-1/8" |
| QTY AND SIZE OF PERMANENT FILTERS | ONE 1" x 25" x 16" | ONE 1" x 25" x 16" | ONE 1" x 25" x 16" | ONE 1" x 25" x 20" |
| ELECTRICAL RATING | 115V 60HZ 1PH | 115V 60HZ 1PH | 115V 60HZ 1PH | 115V 60HZ 1PH |
| MAX FUSE SIZE | 15 AMP | 15 AMP | 15 AMP | 15 AMP |
| ACCESSORY ITEMS | | | | |
| COMBUSTIBLE FLOOR BASE | 50CLQ-BASE | 125CLQ-BASE | 125CLQ-BASE | 125CLQ-BASE |
| CE COIL CABINET | CE215T | CE216T | CE216T | CE217T |
| FILTER RACK | AOPS7547 | AOPS7547 | AOPS7547 | AOPS7375 |
| CONCENTRIC VENT KIT | AOPS7488 | AOPS7488 | AOPS7489 | AOPS7489 |
| SIDEWALL VENT CAP | 370191 | 370191 | 370191 | 370191 |
| NEUTRALIZER KIT | 320095 | 320095 | 320095 | 320095 |
| MINI CONDENSATE PUMP KIT | AOPS7614 | AOPS7614 | AOPS7614 | AOPS7614 |
| SUPPLY PLENUM | PK164X202 | PK202X202 | PK202X202 | PK202X202 |
| RETURN AIR DROP | RD2510X2516 | RD2510X2516 | RD2510X2516 | RD2512X2520 |
| FURNACE PARTS KIT | AOPS7768 | AOPS7768 | AOPS7768 | AOPS7768 |

¹ OUTPUT BTUH BASED ON AHRI LISTING.

² SEASONAL EFFICIENCY (ALSO CALLED AFUE - ANNUAL FUEL UTILIZATION EFFICIENCY) RATINGS ARE BASED ON TESTS FOLLOWING U.S. DEPARTMENT OF ENERGY TEST PROCEDURES.

³ TO PERMIT LARGEST RECOMMENDED AIR CONDITIONING (AT .5 STATIC PRESSURE), SELECTION OF THE HIGHEST MOTOR SPEED IS REQUIRED.

⁴ LP CONVERSION KIT SHIPPED WITH FURNACE.

⁵ PLENUM ADAPTERS INCLUDED WITH UNIT MUST BE INSTALLED FOR 20"x20" PLENUM.

ALL SPECIFICATIONS ARE SUBJECT TO CHANGE WITHOUT NOTICE.

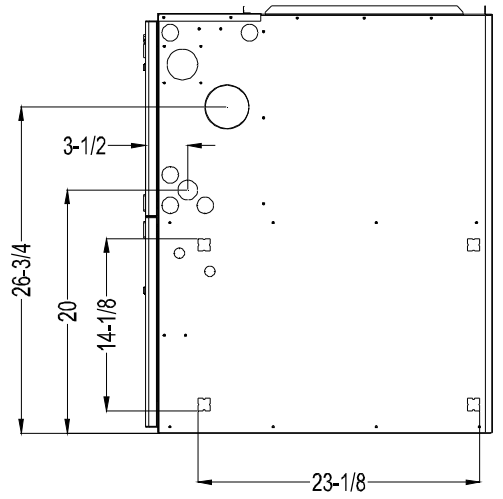
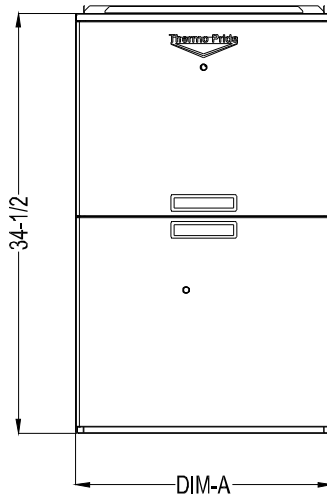
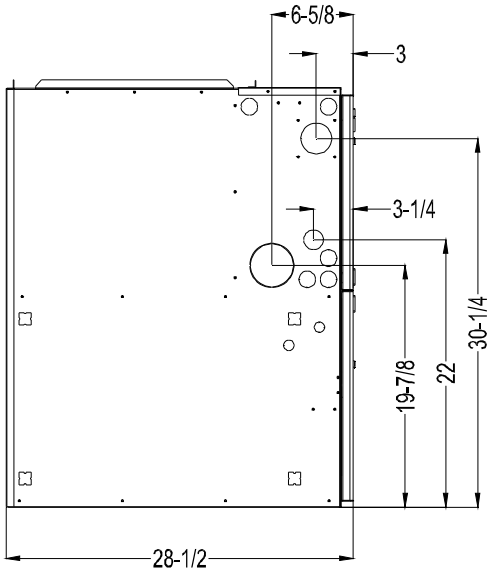
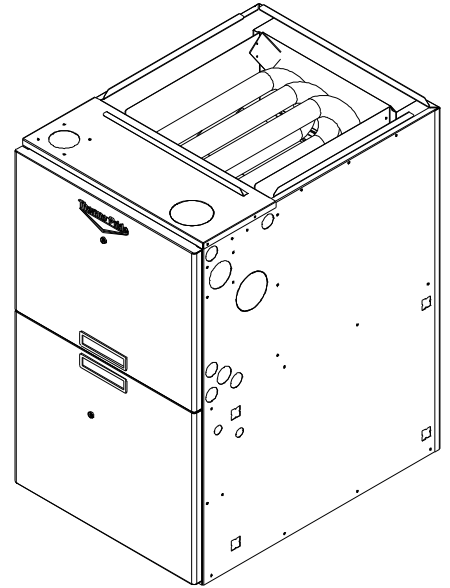
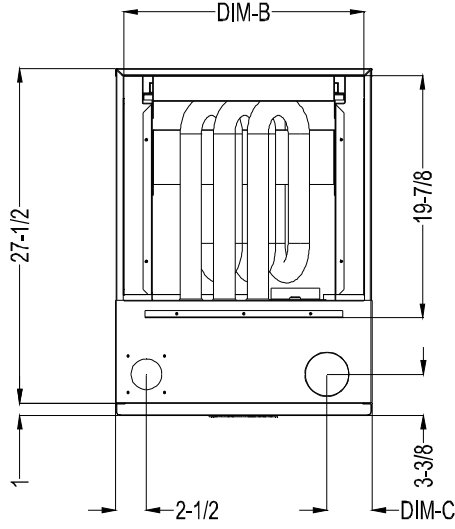
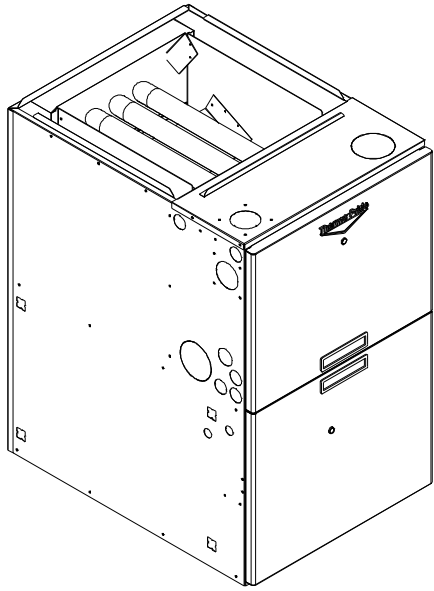
SEE NEXT PAGE FOR MORE DATA -

SINGLE STAGE CONDENSING GAS QUADPOISE FURNACE SPECIFICATIONS

| Model Number Digit | 1 | 2 | 3 | 4 | 5 | 6 | 7 | 8 | 9 | 10 | 11 | 12 | 13 |
|---|----------|---------|---------------|---------|---------|---|-------|-------|-------|------------|-----------------|-----------------|----------|
| | Category | Profile | Configuration | Staging | Version | | Input | Input | Input | Motor Type | Clg Airflow Cap | Clg Airflow Cap | Gas Type |
| Gas Furnace Model Nomenclature Example Model Numbers | C | L | Q | S | 1 | - | 0 | 7 | 5 | T | 4 | 2 | N |
| | | | | | | | | | | | | | |
| | | | | | | | | | | | | | |
| C = Condensing | C | | | | | | | | | | | | |
| L = Low-profile | | L | | | | | | | | | | | |
| Q = Quadpoise | | | Q | | | | | | | | | | |
| Stage: S = Single | | | | S | | | | | | | | | |
| Version (Rev) | | | | | 1 | | | | | | | | |
| Input Capacity in MBTUH (1000) | | | | | | - | 0 | 7 | 5 | | | | |
| Motor Type: T = CTM | | | | | | | | | | T | | | |
| Cooling Airflow Capacity in MBTUH (1000) | | | | | | | | | | | 4 | 2 | |
| Gas Type: N = Natural, P = Liquid Propane | | | | | | | | | | | | | N |

SEE NEXT PAGE FOR MORE DATA -

SINGLE STAGE CONDENSING GAS QUADPOISE FURNACE SPECIFICATIONS

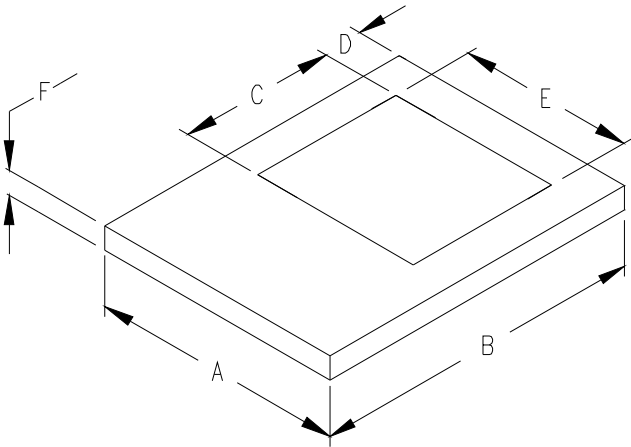


| DIM/UNIT | -050 | -075 | -100 | -125 |
|----------|--------|--------|--------|--------|
| A | 17-1/2 | 21 | 21 | 24-1/2 |
| B | 16-3/8 | 19-7/8 | 19-7/8 | 19-7/8 |
| C | 2-1/8 | 3-3/4 | 2-1/8 | 3-3/4 |

SEE NEXT PAGE FOR MORE DATA -

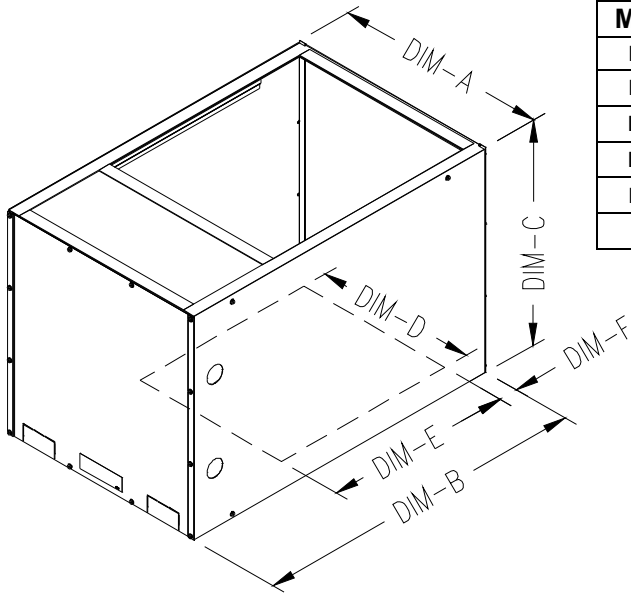
SINGLE STAGE CONDENSING GAS QUADPOISE FURNACE SPECIFICATIONS

COMBUSTIBLE FLOOR BASE



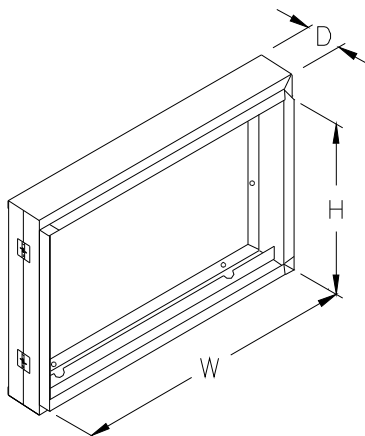
| MODEL | 50CLQ-BASE | 125CLQ-BASE |
|---------|------------|-------------|
| DIM - A | 20-1/2" | 24-1/2" |
| DIM - B | 30" | 30" |
| DIM - C | 20" | 20" |
| DIM - D | 2" | 2" |
| DIM - E | 16-3/8" | 19-7/8" |
| DIM - F | 2" | 2" |

CE COIL CABINET



| MODEL | CE215T | CE216T | CE217T |
|---------|---------|---------|---------|
| DIM - A | 17-3/4" | 21-1/4" | 24-3/4" |
| DIM - B | 27-7/8" | 27-7/8" | 27-7/8" |
| DIM - C | 18-1/2" | 28-1/2" | 28-1/2" |
| DIM - D | 14" | 16" | 16" |
| DIM - E | 16-1/2" | 16-1/2" | 16-1/2" |
| DIM-F | 1-1/2" | 1-1/2" | 1-1/2" |

FILTER RACK SPECIFICATIONS



| FILTER RACK DIMENSIONS | | | |
|------------------------|--------------------------|---------|---------------|
| MODELS | RETURN AIR PLENUM FLANGE | | DEPTH OF RACK |
| | H | W | D |
| AOPS7547 | 15" | 24-1/2" | 2-1/8" |
| AOPS7375 | 19" | 23-3/4" | 6-1/8" |

SEE NEXT PAGE FOR MORE DATA -

| BLOWER DATA: | CLQS1-050T36N | CLQS1-075T42N | CLQS1-100T48N | CLQS1-125T60N |
|-----------------------------|----------------------|----------------------|----------------------|----------------------|
| BLOWER MODEL (DIRECT DRIVE) | 10-9R | 10-10R | 10-10R | 12-11T |
| MOTOR H.P. (CTM) | 1/2 - 5SP | 1/2 - 5SP | 3/4 - 5SP | 3/4 - 5SP |

| BURNER DATA | | | | | |
|-------------------------------------|--|---------------|---------------|---------------|---------------|
| BURNER TYPE | | INSHOT | INSHOT | INSHOT | INSHOT |
| NO. PER UNIT | | 2 | 3 | 4 | 5 |
| MAX INLET PRESSURE (NAT) | | 14" WC | 14" WC | 14" WC | 14" WC |
| MIN INLET PRESSURE (NAT) | | 4.5" WC | 4.5" WC | 4.5" WC | 4.5" WC |
| MAX INLET PRESSURE (LP) | | 14" WC | 14" WC | 14" WC | 14" WC |
| MIN INLET PRESSURE (LP) | | 11" WC | 11" WC | 11" WC | 11" WC |
| NORMAL MANIFOLD PRESS (NAT) | | 3.5" WC | 3.5" WC | 3.5" WC | 3.5" WC |
| NORMAL MANIFOLD PRESS (LP) | | 10.0" WC | 10.0" WC | 10.0" WC | 10.0" WC |
| ORIFICE SIZE DIA. (D.M.S) (NAT.) | | 0.0935" (#42) | 0.0935" (#42) | 0.0935" (#42) | 0.0935" (#42) |
| (L.P.) | | 0.055" (#54) | 0.055" (#54) | 0.055" (#54) | 0.055" (#54) |

| CLEARANCES | | | |
|-------------------|---|-------------------------------|------------|
| | MINIMUM CLEARANCES TO COMBUSTIBLE MATERIALS | | |
| | UPFLOW | DOWNFLOW | HORIZONTAL |
| CABINET TOP | 1 IN | 0 IN | 0 IN |
| CABINET SIDES | 0 IN | 0 IN | 1 IN |
| CABINET BACK | 0 IN | 0 IN | 0 IN |
| CABINET BOTTOM | 0 IN | NON-COMBUSTIBLE BASE REQUIRED | 0 IN |
| CABINET FRONT | 6 IN | 6 IN | 6 IN |
| PLENUM TOP | 1 IN | 0 IN | 5/8 IN |
| PLENUM SIDES | 5/8 IN | 5/8 IN | 1 IN |
| PLENUM BACK | 5/8 IN | 5/8 IN | 5/8 IN |
| PLENUM BOTTOM | 0 IN | 1 IN | 5/8 IN |
| PLENUM FRONT | 5/8 IN | 5/8 IN | 5/8 IN |
| VENT | 0 IN | 0 IN | 0 IN |

SEE NEXT PAGE FOR MORE DATA -

SINGLE STAGE CONDENSING GAS QUADPOISE FURNACE SPECIFICATIONS

CLQS1-050T36N

| Alterations Req'd For A/C @ Design External Static Pressure | | |
|---|-----------|-----------------------|
| Cooling Unit | HTG Speed | Recommended CLG Speed |
| 18,000 | Low (Red) | Med Low (Purple) |
| 24,000 | Low (Red) | Med (Blue) |
| 30,000 | Low (Red) | Med High (Yellow) |
| 36,000 | Low (Red) | High (Black) |

Temperature Rise
(°F)

| Speed Tap | External Static Pressure (in WC) | | | | | | |
|-------------------|----------------------------------|-----|-----|-----|-----|-----|-----|
| | 0.1 | 0.2 | 0.3 | 0.4 | 0.5 | 0.6 | 0.7 |
| Low (Red) | 58 | 65 | 74 | 86 | 105 | 137 | 206 |
| Med Low (Purple) | 49 | 53 | 58 | 63 | 72 | 81 | 95 |
| Med (Blue) | 42 | 45 | 48 | 52 | 55 | 61 | 68 |
| Med High (Yellow) | 36 | 38 | 39 | 42 | 44 | 47 | 49 |
| High (Black) | 31 | 32 | 33 | 35 | 37 | 38 | 40 |

Airflow (CFM)

| Speed Tap | External Static Pressure (in WC) | | | | | | |
|-------------------|----------------------------------|------|------|------|------|------|------|
| | 0.1 | 0.2 | 0.3 | 0.4 | 0.5 | 0.6 | 0.7 |
| Low (Red) | 758 | 672 | 598 | 511 | 420 | 322 | 213 |
| Med Low (Purple) | 905 | 827 | 761 | 698 | 610 | 546 | 461 |
| Med (Blue) | 1046 | 987 | 908 | 851 | 797 | 716 | 644 |
| Med High (Yellow) | 1216 | 1167 | 1124 | 1048 | 1000 | 945 | 889 |
| High (Black) | 1404 | 1360 | 1322 | 1269 | 1193 | 1156 | 1110 |

Current (A)

| Speed Tap | External Static Pressure (in WC) | | | | | | |
|-------------------|----------------------------------|-----|-----|-----|-----|-----|-----|
| | 0.1 | 0.2 | 0.3 | 0.4 | 0.5 | 0.6 | 0.7 |
| Low (Red) | 2.4 | 2.5 | 2.5 | 2.5 | 2.5 | 2.6 | 2.7 |
| Med Low (Purple) | 2.7 | 2.8 | 2.9 | 3.0 | 3.0 | 3.1 | 3.1 |
| Med (Blue) | 3.2 | 3.3 | 3.4 | 3.5 | 3.6 | 3.7 | 3.7 |
| Med High (Yellow) | 4.0 | 4.2 | 4.3 | 4.4 | 4.5 | 4.7 | 4.7 |
| High (Black) | 5.4 | 5.4 | 5.6 | 5.7 | 5.9 | 5.9 | 6.0 |

Power (W) *

| Speed Tap | External Static Pressure (in WC) | | | | | | |
|-------------------|----------------------------------|-----|-----|-----|-----|-----|-----|
| | 0.1 | 0.2 | 0.3 | 0.4 | 0.5 | 0.6 | 0.7 |
| Low (Red) | 199 | 207 | 210 | 212 | 216 | 220 | 225 |
| Med Low (Purple) | 235 | 243 | 249 | 257 | 262 | 267 | 272 |
| Med (Blue) | 279 | 291 | 297 | 307 | 313 | 321 | 325 |
| Med High (Yellow) | 354 | 366 | 377 | 387 | 395 | 407 | 416 |
| High (Black) | 466 | 474 | 489 | 501 | 514 | 521 | 530 |

Note: Shading indicates recommended operating range for heating.

* Includes 130W to power controls.

SEE NEXT PAGE FOR MORE DATA -

SINGLE STAGE CONDENSING GAS QUADPOISE FURNACE SPECIFICATIONS

CLQS1-075T42N

| Alterations Req'd For A/C @ Design External Static Pressure | | |
|---|------------------|-----------------------|
| Cooling Unit | HTG Speed | Recommended CLG Speed |
| 24,000 | Med Low (Purple) | Low (Red) |
| 30,000 | Med Low (Purple) | Med Blue) |
| 36,000 | Med Low (Purple) | Med High (Yellow) |
| 42,000 | Med Low (Purple) | High (Black) |

Temperature Rise (°F)

| Speed Tap | External Static Pressure (in WC) | | | | | | |
|-------------------|----------------------------------|-----|-----|-----|-----|-----|-----|
| | 0.1 | 0.2 | 0.3 | 0.4 | 0.5 | 0.6 | 0.7 |
| Low (Red) | 63 | 67 | 71 | 79 | 86 | 94 | 103 |
| Med Low (Purple) | 57 | 61 | 64 | 69 | 74 | 79 | 86 |
| Med (Blue) | 55 | 58 | 61 | 65 | 70 | 75 | 80 |
| Med High (Yellow) | 48 | 50 | 52 | 55 | 57 | 61 | 64 |
| High (Black) | 44 | 45 | 46 | 48 | 50 | 57 | 63 |

Airflow (CFM)

| Speed Tap | External Static Pressure (in WC) | | | | | | |
|-------------------|----------------------------------|------|------|------|------|------|------|
| | 0.1 | 0.2 | 0.3 | 0.4 | 0.5 | 0.6 | 0.7 |
| Low (Red) | 1089 | 1025 | 967 | 869 | 800 | 733 | 670 |
| Med Low (Purple) | 1197 | 1133 | 1078 | 990 | 933 | 865 | 803 |
| Med (Blue) | 1251 | 1189 | 1122 | 1064 | 982 | 914 | 856 |
| Med High (Yellow) | 1424 | 1379 | 1314 | 1254 | 1210 | 1132 | 1075 |
| High (Black) | 1577 | 1531 | 1480 | 1432 | 1368 | 1214 | 1086 |

Current (A)

| Speed Tap | External Static Pressure (in WC) | | | | | | |
|-------------------|----------------------------------|-----|-----|-----|-----|-----|-----|
| | 0.1 | 0.2 | 0.3 | 0.4 | 0.5 | 0.6 | 0.7 |
| Low (Red) | 3.6 | 3.6 | 3.7 | 3.8 | 3.9 | 3.9 | 4.0 |
| Med Low (Purple) | 4.1 | 4.2 | 4.3 | 4.4 | 4.5 | 4.5 | 4.6 |
| Med (Blue) | 4.3 | 4.4 | 4.5 | 4.6 | 4.7 | 4.8 | 4.8 |
| Med High (Yellow) | 5.4 | 5.5 | 5.6 | 5.7 | 5.8 | 6.0 | 6.0 |
| High (Black) | 6.7 | 6.7 | 6.9 | 7.0 | 7.1 | 6.5 | 6.0 |

Power (W) *

| Speed Tap | External Static Pressure (in WC) | | | | | | |
|-------------------|----------------------------------|-----|-----|-----|-----|-----|-----|
| | 0.1 | 0.2 | 0.3 | 0.4 | 0.5 | 0.6 | 0.7 |
| Low (Red) | 317 | 324 | 331 | 342 | 347 | 353 | 358 |
| Med Low (Purple) | 364 | 374 | 381 | 393 | 400 | 406 | 412 |
| Med (Blue) | 387 | 397 | 405 | 415 | 425 | 432 | 438 |
| Med High (Yellow) | 496 | 507 | 516 | 526 | 536 | 549 | 557 |
| High (Black) | 621 | 632 | 645 | 655 | 660 | 606 | 568 |

Note: Shading indicates recommended operating range for heating.

* Includes 135W to power controls.

SEE NEXT PAGE FOR MORE DATA -

SINGLE STAGE CONDENSING GAS QUADPOISE FURNACE SPECIFICATIONS

CLQS1-100T48N

| Alterations Req'd For A/C @ Design External Static Pressure | | |
|---|------------|-----------------------|
| Cooling Unit | HTG Speed | Recommended CLG Speed |
| 30,000 | Med (Blue) | Low (Red) |
| 36,000 | Med (Blue) | Med Low (Purple) |
| 42,000 | Med (Blue) | Med High (Yellow) |
| 48,000 | Med (Blue) | High (Black) |

Temperature Rise (°F)

| Speed Tap | External Static Pressure (in WC) | | | | | | |
|-------------------|----------------------------------|-----|-----|-----|-----|-----|-----|
| | 0.1 | 0.2 | 0.3 | 0.4 | 0.5 | 0.6 | 0.7 |
| Low (Red) | 71 | 75 | 79 | 84 | 90 | 100 | 109 |
| Med Low (Purple) | 62 | 65 | 68 | 72 | 74 | 79 | 83 |
| Med (Blue) | 60 | 62 | 66 | 69 | 72 | 75 | 79 |
| Med High (Yellow) | 55 | 56 | 58 | 61 | 63 | 66 | 68 |
| High (Black) | 49 | 50 | 51 | 53 | 57 | 61 | 67 |

Airflow (CFM)

| Speed Tap | External Static Pressure (in WC) | | | | | | |
|-------------------|----------------------------------|------|------|------|------|------|------|
| | 0.1 | 0.2 | 0.3 | 0.4 | 0.5 | 0.6 | 0.7 |
| Low (Red) | 1239 | 1178 | 1107 | 1046 | 976 | 883 | 806 |
| Med Low (Purple) | 1414 | 1357 | 1295 | 1224 | 1186 | 1120 | 1062 |
| Med (Blue) | 1467 | 1416 | 1341 | 1276 | 1229 | 1177 | 1119 |
| Med High (Yellow) | 1601 | 1558 | 1505 | 1448 | 1391 | 1340 | 1301 |
| High (Black) | 1799 | 1762 | 1716 | 1646 | 1547 | 1438 | 1322 |

Current (A)

| Speed Tap | External Static Pressure (in WC) | | | | | | |
|-------------------|----------------------------------|-----|-----|-----|-----|-----|-----|
| | 0.1 | 0.2 | 0.3 | 0.4 | 0.5 | 0.6 | 0.7 |
| Low (Red) | 3.9 | 4.1 | 4.2 | 4.3 | 4.4 | 4.5 | 4.5 |
| Med Low (Purple) | 4.8 | 4.9 | 5.1 | 5.2 | 5.2 | 5.3 | 5.5 |
| Med (Blue) | 5.1 | 5.2 | 5.4 | 5.5 | 5.6 | 5.6 | 5.8 |
| Med High (Yellow) | 6.0 | 6.1 | 6.3 | 6.4 | 6.5 | 6.6 | 6.7 |
| High (Black) | 7.3 | 7.5 | 7.7 | 7.9 | 7.6 | 7.3 | 6.9 |

Power (W) *

| Speed Tap | External Static Pressure (in WC) | | | | | | |
|-------------------|----------------------------------|-----|-----|-----|-----|-----|-----|
| | 0.1 | 0.2 | 0.3 | 0.4 | 0.5 | 0.6 | 0.7 |
| Low (Red) | 328 | 341 | 351 | 359 | 370 | 379 | 386 |
| Med Low (Purple) | 406 | 422 | 434 | 446 | 452 | 464 | 477 |
| Med (Blue) | 434 | 451 | 464 | 473 | 483 | 490 | 502 |
| Med High (Yellow) | 523 | 540 | 557 | 569 | 579 | 589 | 597 |
| High (Black) | 655 | 668 | 689 | 712 | 683 | 656 | 612 |

Note: Shading indicates recommended operating range for heating.

* Includes 120W to power controls.

SEE NEXT PAGE FOR MORE DATA -

SINGLE STAGE CONDENSING GAS QUADPOISE FURNACE SPECIFICATIONS

CLQS1-125T60N

| Alterations Req'd For A/C @ Design External Static Pressure | | |
|---|-------------------|-----------------------|
| Cooling Unit | HTG Speed | Recommended CLG Speed |
| 36,000 | Med High (Yellow) | Low (Red) |
| 42,000 | Med High (Yellow) | Med Low (Purple) |
| 48,000 | Med High (Yellow) | Med (Blue) |
| 60,000 | Med High (Yellow) | High (Black) |

Temperature Rise (°F)

| Speed Tap | External Static Pressure (in WC) | | | | | | |
|-------------------|----------------------------------|-----|-----|-----|-----|-----|-----|
| | 0.1 | 0.2 | 0.3 | 0.4 | 0.5 | 0.6 | 0.7 |
| Low (Red) | 73 | 76 | 81 | 86 | 93 | 99 | 106 |
| Med Low (Purple) | 68 | 71 | 74 | 78 | 83 | 87 | 93 |
| Med (Blue) | 62 | 64 | 67 | 70 | 73 | 77 | 81 |
| Med High (Yellow) | 59 | 61 | 63 | 65 | 68 | 71 | 75 |
| High (Black) | 53 | 54 | 55 | 57 | 58 | 60 | 63 |

Airflow (CFM)

| Speed Tap | External Static Pressure (in WC) | | | | | | |
|-------------------|----------------------------------|------|------|------|------|------|------|
| | 0.1 | 0.2 | 0.3 | 0.4 | 0.5 | 0.6 | 0.7 |
| Low (Red) | 1512 | 1444 | 1365 | 1275 | 1180 | 1111 | 1038 |
| Med Low (Purple) | 1625 | 1553 | 1481 | 1414 | 1330 | 1263 | 1186 |
| Med (Blue) | 1767 | 1710 | 1649 | 1582 | 1513 | 1437 | 1359 |
| Med High (Yellow) | 1878 | 1813 | 1753 | 1685 | 1617 | 1544 | 1463 |
| High (Black) | 2093 | 2047 | 1988 | 1938 | 1882 | 1819 | 1745 |

Current (A)

| Speed Tap | External Static Pressure (in WC) | | | | | | |
|-------------------|----------------------------------|-----|-----|-----|-----|-----|-----|
| | 0.1 | 0.2 | 0.3 | 0.4 | 0.5 | 0.6 | 0.7 |
| Low (Red) | 4.4 | 4.6 | 4.7 | 4.8 | 4.9 | 5.0 | 5.1 |
| Med Low (Purple) | 5.2 | 5.4 | 5.5 | 5.6 | 5.7 | 5.9 | 6.0 |
| Med (Blue) | 6.0 | 6.3 | 6.4 | 6.5 | 6.7 | 6.8 | 7.0 |
| Med High (Yellow) | 6.3 | 6.6 | 6.7 | 6.8 | 7.0 | 7.1 | 7.3 |
| High (Black) | 8.7 | 8.9 | 9.0 | 9.3 | 9.5 | 9.7 | 9.7 |

Power (W) *

| Speed Tap | External Static Pressure (in WC) | | | | | | |
|-------------------|----------------------------------|-----|-----|-----|-----|-----|-----|
| | 0.1 | 0.2 | 0.3 | 0.4 | 0.5 | 0.6 | 0.7 |
| Low (Red) | 386 | 402 | 412 | 427 | 439 | 447 | 457 |
| Med Low (Purple) | 464 | 480 | 493 | 506 | 517 | 529 | 540 |
| Med (Blue) | 543 | 566 | 580 | 592 | 607 | 622 | 636 |
| Med High (Yellow) | 578 | 600 | 611 | 626 | 642 | 656 | 670 |
| High (Black) | 810 | 830 | 843 | 866 | 886 | 901 | 919 |

Note: Shading indicates recommended operating range for heating.

* Includes 135W to power controls.

SEE NEXT PAGE FOR MORE DATA -

A/C Evaporator Coil Applications

| UPFLOW | Furnace Model Number | AC Tonnage | Line Set | Cond. Model Number | Coil Model Number | Capacity | EER | SEER | AHRI Reference Number |
|--------------|-----------------------------|----------------------|----------------------|----------------------|-------------------|--------------|----------|---------|-----------------------|
| | UPFLOW | CLQS1-050 | 2 | LS01E-30 LS01E-50 | TC4B2421H | HE33636PA212 | 23000 | 12.20 | 14.00 |
| HE47636PA212 | | | | | | 23000 | 12.20 | 14.50 | 9136136 |
| TC7B2421S | | | | | HE33636PA212 | 23600 | 12.50 | 15.00 | 9136145 |
| | | | | | HE47636PA212 | 23600 | 13.00 | 16.00 | 9136146 |
| 2.5 | | | LS01E-30 LS01E-50 | TC4B3021H | HE33636PA212 | 29400 | 11.70 | 14.00 | 9136137 |
| | | | | | HE47636PA212 | 29400 | 12.20 | 14.50 | 9136138 |
| | | | | TC7B3021S | HE33636PA212 | 28000 | 12.50 | 15.00 | 9136147 |
| | | | | | HE47636PA212 | 28400 | 13.00 | 16.00 | 9136148 |
| 3 | | | LS01E-30 LS01E-50 | TC4B3621H | HE33636PA212 | 34400 | 11.70 | 14.00 | 9136139 |
| | | | | | HE47636PA212 | 34600 | 12.20 | 14.50 | 9136140 |
| | | | | TC7B3621S | HE33636PA212 | 34800 | 12.20 | 15.00 | 9136149 |
| | | | | | HE47636PA212 | 36000 | 13.00 | 16.00 | 9136150 |
| CLQS1-075 | | 2 | LS01E-30 LS01E-50 | TC4B2421H | HE33636PA212 | 23000 | 12.20 | 14.00 | 9136135 |
| | | | | | HE47636PA212 | 23000 | 12.20 | 14.50 | 9136136 |
| | | | | TC7B2421S | HE33636PA212 | 23600 | 12.50 | 15.00 | 9136145 |
| | | | | | HE47636PA212 | 23600 | 13.00 | 16.00 | 9136146 |
| | | 2.5 | LS01E-30 LS01E-50 | TC4B3021H | HE33636PA212 | 29400 | 11.70 | 14.00 | 9136137 |
| | | | | | HE47636PA212 | 29400 | 12.20 | 14.50 | 9136138 |
| | | | | TC7B3021S | HE33636PA212 | 28000 | 12.50 | 15.00 | 9136147 |
| | | | | | HE47636PA212 | 28400 | 13.00 | 16.00 | 9136148 |
| | | 3 | LS01E-30 LS01E-50 | TC4B3621H | HE33636PA212 | 34400 | 11.70 | 14.00 | 9136139 |
| | | | | | HE47636PA212 | 34600 | 12.20 | 14.50 | 9136140 |
| | | | | TC7B3621S | HE33636PA212 | 34800 | 12.20 | 15.00 | 9136149 |
| | | | | | HE47636PA212 | 36000 | 13.00 | 16.00 | 9136150 |
| 3.5 | LS02E-30 LS02E-50 | TC7B4221S | - | - | - | - | - | - | |
| | | | HE50660PA212 | 41500 | 13.00 | 16.00 | 9136152 | | |
| | | | - | - | - | - | - | | |
| | | | HE50660PA212 | 41500 | 13.00 | 16.00 | 9136152 | | |
| CLQS1-100 | 2.5 | LS01E-30 LS01E-50 | TC4B3021H | HE33636PA212 | 29400 | 11.70 | 14.00 | 9136137 | |
| | | | | HE47636PA212 | 29400 | 12.20 | 14.50 | 9136138 | |
| | | | TC7B3021S | HE33636PA212 | 28000 | 12.50 | 15.00 | 9136147 | |
| | | | | HE47636PA212 | 28400 | 13.00 | 16.00 | 9136148 | |
| | 3 | LS01E-30 LS01E-50 | TC4B3621H | HE33636PA212 | 34400 | 11.70 | 14.00 | 9136139 | |
| | | | | HE47636PA212 | 34600 | 12.20 | 14.50 | 9136140 | |
| | | | TC7B3621S | HE33636PA212 | 34800 | 12.20 | 15.00 | 9136149 | |
| | | | | HE47636PA212 | 36000 | 13.00 | 16.00 | 9136150 | |
| | 3.5 | LS02E-30 LS02E-50 | TC7B4221S | - | - | - | - | - | |
| | | | | HE50660PA212 | 41500 | 13.00 | 16.00 | 9136152 | |
| | | | | - | - | - | - | - | |
| | | | | HE50660PA212 | 41500 | 13.00 | 16.00 | 9136152 | |
| 4 | LS02E-30 LS02E-50 | TC4B4821H | - | - | - | - | - | | |
| | | | HE50660PA212 | 47500 | 12.20 | 14.50 | 9136144 | | |
| | | TC7B4821S | - | - | - | - | - | | |
| | | | HE50660PA212 | 45500 | 12.50 | 15.00 | 9136154 | | |
| CLQS1-125 | 3 | LS01E-30 LS01E-50 | TC4B3621H | HE33636PA212 | 34400 | 11.70 | 14.00 | 9136139 | |
| | | | | HE47636PA212 | 34600 | 12.20 | 14.50 | 9136140 | |
| | | | TC7B3621S | HE33636PA212 | 34800 | 12.20 | 15.00 | 9136149 | |
| | | | | HE47636PA212 | 36000 | 13.00 | 16.00 | 9136150 | |
| | 3.5 | LS02E-30 LS02E-50 | TC7B4221S | - | - | - | - | - | |
| | | | | HE50660PA212 | 41500 | 13.00 | 16.00 | 9136152 | |
| | | | | - | - | - | - | - | |
| | | | | HE50660PA212 | 41500 | 13.00 | 16.00 | 9136152 | |
| | 4 | LS02E-30 LS02E-50 | TC4B4821H | - | - | - | - | - | |
| | | | | HE50660PA212 | 47500 | 12.20 | 14.50 | 9136144 | |
| | | | TC7B4821S | - | - | - | - | - | |
| | | | | HE50660PA212 | 45500 | 12.50 | 15.00 | 9136154 | |
| 5 | 1 1/8" ¹ 3/8" | TC4B6021S | - | - | - | - | - | | |
| | | | HE50660PA212 | 56000 | 12.20 | 14.00 | 10156162 | | |
| | | | - | - | - | - | - | | |
| | | | HE50660PA212 | 56000 | 12.20 | 14.00 | 10156162 | | |

¹ Adapter fitting must be field supplied to connect required 1-1/8" line set to 7/8" service valve connection.

SEE NEXT PAGE FOR MORE DATA -

A/C Evaporator Coil Applications

| C O U N T E R F L O W | Furnace Model Number | AC Tonnage | Line Set | Cond. Model Number | Coil Cabinet | Coil Model Number | Capacity | EER | SEER | AHRI Reference Number | |
|---|---|-----------------------------|----------------------|----------------------|--------------|-------------------|--------------|---------|----------|-----------------------|---------|
| | C O U N T E R F L O W | CLOQS1-050 | 2 | LS01E-30 LS01E-50 | TC4B2421H | CE215T | HE33636UA170 | 23000 | 12.20 | 14.00 | 9136135 |
| - | | | | | - | - | - | - | - | - | |
| TC7B2421S | | | CE215T | HE33636UA170 | 23600 | 12.50 | 15.00 | 9136145 | | | |
| | | | - | - | - | - | - | - | | | |
| 2.5 | | | LS01E-30 LS01E-50 | TC4B3021H | CE215T | HE33636UA170 | 29400 | 11.70 | 14.00 | 9136137 | |
| | | | | - | - | - | - | - | - | | |
| TC7B3021S | | CE215T | HE33636UA170 | 28000 | 12.50 | 15.00 | 9136147 | | | | |
| | | - | - | - | - | - | - | | | | |
| 3 | | LS01E-30 LS01E-50 | TC4B3621H | CE215T | HE33636UA170 | 34400 | 11.70 | 14.00 | 9136139 | | |
| | | | - | - | - | - | - | - | | | |
| TC7B3621S | | CE215T | HE33636UA170 | 34800 | 12.20 | 15.00 | 9136149 | | | | |
| | | - | - | - | - | - | - | | | | |
| CLOQS1-075 | | 2 | LS01E-30 LS01E-50 | TC4B2421H | CE216T | HE33636UA200 | 23000 | 12.20 | 14.00 | 9136135 | |
| | | | | | CE216T | HE47636UA205 | 23000 | 12.20 | 14.50 | 9136136 | |
| | | | | TC7B2421S | CE216T | HE33636UA200 | 23600 | 12.50 | 15.00 | 9136145 | |
| | | | | | CE216T | HE47636UA205 | 23600 | 13.00 | 16.00 | 9136146 | |
| | | 2.5 | LS01E-30 LS01E-50 | TC4B3021H | CE216T | HE33636UA200 | 29400 | 11.70 | 14.00 | 9136137 | |
| | | | | | CE216T | HE47636UA205 | 29400 | 12.20 | 14.50 | 9136138 | |
| | | | | TC7B3021S | CE216T | HE33636UA200 | 28000 | 12.50 | 15.00 | 9136147 | |
| | | | | | CE216T | HE47636UA205 | 28400 | 13.00 | 16.00 | 9136148 | |
| | | 3 | LS01E-30 LS01E-50 | TC4B3621H | CE216T | HE33636UA200 | 34400 | 11.70 | 14.00 | 9136139 | |
| | | | | | CE216T | HE47636UA205 | 34600 | 12.20 | 14.50 | 9136140 | |
| | | | | TC7B3621S | CE216T | HE33636UA200 | 34800 | 12.20 | 15.00 | 9136149 | |
| | | | | | CE216T | HE47636UA205 | 36000 | 13.00 | 16.00 | 9136150 | |
| 3.5 | LS02E-30 LS02E-50 | TC7B4221S | - | - | - | - | - | - | | | |
| | | | CE216T | HE50660UA205 | 41500 | 13.00 | 16.00 | 9136152 | | | |
| CLOQS1-100 | 2.5 | LS01E-30 LS01E-50 | TC4B3021H | CE216T | HE33636UA200 | 29400 | 11.70 | 14.00 | 9136137 | | |
| | | | | CE216T | HE47636UA205 | 29400 | 12.20 | 14.50 | 9136138 | | |
| | | | TC7B3021S | CE216T | HE33636UA200 | 28000 | 12.50 | 15.00 | 9136147 | | |
| | | | | CE216T | HE47636UA205 | 28400 | 13.00 | 16.00 | 9136148 | | |
| | | | 3 | LS01E-30 LS01E-50 | TC4B3621H | CE216T | HE33636UA200 | 34400 | 11.70 | 14.00 | 9136139 |
| | | | | | | CE216T | HE47636UA205 | 34600 | 12.20 | 14.50 | 9136140 |
| | TC7B3621S | CE216T | | | HE33636UA200 | 34800 | 12.20 | 15.00 | 9136149 | | |
| | | CE216T | | | HE47636UA205 | 36000 | 13.00 | 16.00 | 9136150 | | |
| | 3.5 | LS02E-30 LS02E-50 | TC7B4221S | - | - | - | - | - | - | | |
| | | | | CE216T | HE50660UA205 | 41500 | 13.00 | 16.00 | 9136152 | | |
| | 4 | LS02E-30 LS02E-50 | TC4B4821H | - | - | - | - | - | - | | |
| | | | | CE216T | HE50660UA205 | 47500 | 12.20 | 14.50 | 9136144 | | |
| TC7B4821S | | | - | - | - | - | - | - | | | |
| | | | CE216T | HE50660UA205 | 45500 | 12.50 | 15.00 | 9136154 | | | |
| CLOQS1-125 | 3 | LS01E-30 LS01E-50 | TC4B3621H | CE217T | HE33636UA200 | 34400 | 11.70 | 14.00 | 9136139 | | |
| | | | | CE217T | HE47636UA205 | 34600 | 12.20 | 14.50 | 9136140 | | |
| | | | TC7B3621S | CE217T | HE33636UA200 | 34800 | 12.20 | 15.00 | 9136149 | | |
| | | | | CE217T | HE47636UA205 | 36000 | 13.00 | 16.00 | 9136150 | | |
| | | | 3.5 | LS02E-30 LS02E-50 | TC7B4221S | - | - | - | - | - | - |
| | | | | | | CE217T | HE50660UA205 | 41500 | 13.00 | 16.00 | 9136152 |
| | 4 | LS02E-30 LS02E-50 | TC4B4821H | - | - | - | - | - | - | | |
| | | | | CE217T | HE50660UA205 | 47500 | 12.20 | 14.50 | 9136144 | | |
| | | | TC7B4821S | - | - | - | - | - | - | | |
| | | | | CE217T | HE50660UA205 | 45500 | 12.50 | 15.00 | 9136154 | | |
| | 5 | 1 1/8" ¹ 3/8" | TC4B6021S | - | - | - | - | - | - | | |
| | | | | CE217T | HE50660UA205 | 56000 | 12.20 | 14.00 | 10156162 | | |

¹ Adapter fitting must be field supplied to connect required 1-1/8" line set to 7/8" service valve connection.

SEE NEXT PAGE FOR MORE DATA -

A/C Evaporator Coil Applications

| | Furnace Model Number | AC Tonnage | Line Set | Cond. Model Number | Coil Model Number | Capacity | EER | SEER | AHRI Reference Number |
|--|----------------------|-----------------------------|----------------------|---------------------------|---------------------------|----------|---------|----------|-----------------------|
| | | | | | | | | | |
| H O R I Z O N T A L | CLQS1-050 | 2 | LS01E-30 LS01E-50 | TC4B2421H | HE33636CH210 ² | 23000 | 12.20 | 14.00 | 9136135 |
| | | | | | HE47636CH210 ² | 23000 | 12.20 | 14.50 | 9136136 |
| | | | TC7B2421S | HE33636CH210 ² | 23600 | 12.50 | 15.00 | 9136145 | |
| | | | | HE47636CH210 ² | 23600 | 13.00 | 16.00 | 9136146 | |
| | | 2.5 | LS01E-30 LS01E-50 | TC4B3021H | HE33636CH210 ² | 29400 | 11.70 | 14.00 | 9136137 |
| | | | | | HE47636CH210 ² | 29400 | 12.20 | 14.50 | 9136138 |
| | | | TC7B3021S | HE33636CH210 ² | 28000 | 12.50 | 15.00 | 9136147 | |
| | | | | HE47636CH210 ² | 28400 | 13.00 | 16.00 | 9136148 | |
| | | 3 | LS01E-30 LS01E-50 | TC4B3621H | HE33636CH210 ² | 34400 | 11.70 | 14.00 | 9136139 |
| | | | | | HE47636CH210 ² | 34600 | 12.20 | 14.50 | 9136140 |
| | | | TC7B3621S | HE33636CH210 ² | 34800 | 12.20 | 15.00 | 9136149 | |
| | | | | HE47636CH210 ² | 36000 | 13.00 | 16.00 | 9136150 | |
| | CLQS1-075 | 2 | LS01E-30 LS01E-50 | TC4B2421H | HE33636CH210 | 23000 | 12.20 | 14.00 | 9136135 |
| | | | | | HE47636CH210 | 23000 | 12.20 | 14.50 | 9136136 |
| | | | TC7B2421S | HE33636CH210 | 23600 | 12.50 | 15.00 | 9136145 | |
| | | | | HE47636CH210 | 23600 | 13.00 | 16.00 | 9136146 | |
| | | 2.5 | LS01E-30 LS01E-50 | TC4B3021H | HE33636CH210 | 29400 | 11.70 | 14.00 | 9136137 |
| | | | | | HE47636CH210 | 29400 | 12.20 | 14.50 | 9136138 |
| | | | TC7B3021S | HE33636CH210 | 28000 | 12.50 | 15.00 | 9136147 | |
| | | | | HE47636CH210 | 28400 | 13.00 | 16.00 | 9136148 | |
| | | 3 | LS01E-30 LS01E-50 | TC4B3621H | HE33636CH210 | 34400 | 11.70 | 14.00 | 9136139 |
| | | | | | HE47636CH210 | 34600 | 12.20 | 14.50 | 9136140 |
| | | | TC7B3621S | HE33636CH210 | 34800 | 12.20 | 15.00 | 9136149 | |
| | | | | HE47636CH210 | 36000 | 13.00 | 16.00 | 9136150 | |
| 3.5 | LS02E-30 LS02E-50 | TC7B4221S | - | - | - | - | - | | |
| | | | HE50660CH210 | 41500 | 13.00 | 16.00 | 9136152 | | |
| CLQS1-100 | 2.5 | LS01E-30 LS01E-50 | TC4B3021H | HE33636CH210 | 29400 | 11.70 | 14.00 | 9136137 | |
| | | | | HE47636CH210 | 29400 | 12.20 | 14.50 | 9136138 | |
| | | TC7B3021S | HE33636CH210 | 28000 | 12.50 | 15.00 | 9136147 | | |
| | | | HE47636CH210 | 28400 | 13.00 | 16.00 | 9136148 | | |
| | 3 | LS01E-30 LS01E-50 | TC4B3621H | HE33636CH210 | 34400 | 11.70 | 14.00 | 9136139 | |
| | | | | HE47636CH210 | 34600 | 12.20 | 14.50 | 9136140 | |
| | | TC7B3621S | HE33636CH210 | 34800 | 12.20 | 15.00 | 9136149 | | |
| | | | HE47636CH210 | 36000 | 13.00 | 16.00 | 9136150 | | |
| | 3.5 | LS02E-30 LS02E-50 | TC7B4221S | - | - | - | - | - | |
| | | | | HE50660CH210 | 41500 | 13.00 | 16.00 | 9136152 | |
| | 4 | LS02E-30 LS02E-50 | TC4B4821H | - | - | - | - | - | |
| | | | | HE50660CH210 | 47500 | 12.20 | 14.50 | 9136144 | |
| TC7B4821S | | - | - | - | - | - | | | |
| | | HE50660CH210 | 45500 | 12.50 | 15.00 | 9136154 | | | |
| CLQS1-125 | 3 | LS01E-30 LS01E-50 | TC4B3621H | HE33636CH210 | 34400 | 11.70 | 14.00 | 9136139 | |
| | | | | HE47636CH210 | 34600 | 12.20 | 14.50 | 9136140 | |
| | | TC7B3621S | HE33636CH210 | 34800 | 12.20 | 15.00 | 9136149 | | |
| | | | HE47636CH210 | 36000 | 13.00 | 16.00 | 9136150 | | |
| | 3.5 | LS02E-30 LS02E-50 | TC7B4221S | - | - | - | - | - | |
| | | | | HE50660CH210 | 41500 | 13.00 | 16.00 | 9136152 | |
| | 4 | LS02E-30 LS02E-50 | TC4B4821H | - | - | - | - | - | |
| | | | | HE50660CH210 | 47500 | 12.20 | 14.50 | 9136144 | |
| | | TC7B4821S | - | - | - | - | - | | |
| | | | HE50660CH210 | 45500 | 12.50 | 15.00 | 9136154 | | |
| | 5 | 1 1/8" ¹ 3/8" | TC4B6021S | - | - | - | - | - | |
| | | | | HE50660CH210 | 56000 | 12.20 | 14.00 | 10156162 | |

¹ Adapter fitting must be field supplied to connect required 1-1/8" line set to 7/8" service valve connection.

² Will need field supplied transition to connect furnace to cased coil.