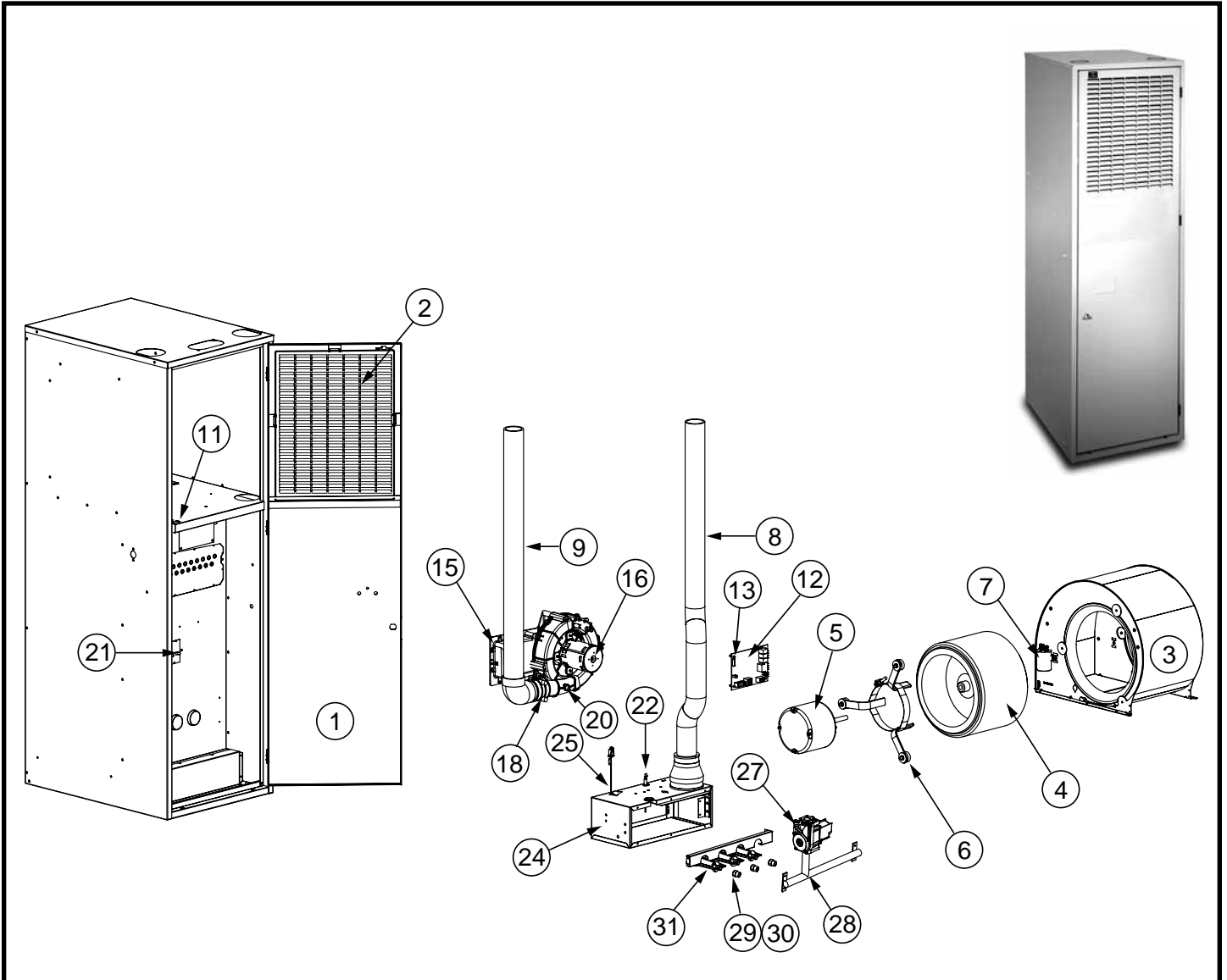


CMF95 Series

Single Stage Condensing Downflow Gas Furnace

95.1% AFUE



CMF95 Downflow Gas Furnace

ITEM	DESCRIPTION	045 PG	072 PG
1	Door Assembly	921489	921489
2	Filter	669925	669925
3	Blower Assembly	921490	921491
4	Blower Wheel	667258	667258
5	Blower Motor	904858	904859
6	Blower Motor Mount Kit	904951	904951
7	Capacitor	622545	622549
8	Combustion Air Pipe	664645	664645
9	Vent Pipe	664644	664644
10	Blower Deck Limit (Not Shown)	626602	626602
11	Door Switch	632337	632337
12	Control Board	920915	920915
13	Fuse	632261	632261
14	Heat Exchanger (Not Shown)	921492	921493
15	Outlet Header Box	904802	904802
16	Inducer Motor with Gasket	921494	921494
17	Inducer Orifice (Not Shown)	669927	669926
18	Inline Drain Assembly	664435	664435
19	Pressure Switch (Not Shown)	632622	632622
20	Vent Limit	626606	626606
21	Main Air Limit	626607	626607
22	Rollout Limit	626609	626609
23	Transformer (Not Shown)	622341	622341
24	Burner Box Assembly	921495	921496
25	Igniter	632625	632625
26	Flame Sensor (Not Shown)	632316	632316
27	Gas Valve	624610	624610
28	Manifold	664639	664640
29	Orifice, Natural	661049	661047
30	Orifice, LP	661057	661056
31	Burner Inshot	661135	661135
32	Burner View Port (Not Shown)	632216	632216
33	Drain Tube, Soft, 42" (Not Shown)	664278	664278
34	Drain Tube, Hard "J" (Not Shown)	663706	663706
35	Drain Tee (Not Shown)	618060	618060

Please specify Model No., Serial No, and the correct part number(s) when ordering parts from the nearest authorized dealer or service center.

NORDYNE
COMPLETE COMFORT. GENUINE VALUE.



Specifications & illustrations subject to change without notice or incurring obligations.
O' Fallon, MO | Printed in U.S.A. (09/11)

709249B (Replaces 709249A)