

5-5/8" Diameter Standard Efficiency Indoor Blower Motors

Furnaces - Air Handlers - Blowers

Features:

- Auto Protector
- Class "B" Insulation
- Continuous Air Over
- Lead Reversible
- Open Construction
- PSC
- Ring adapters
- Sleeve Bearing
- Standard Efficiency
- 2-1/4" Rings with 2-1/2" Adapters included
- 26" Leads
- 48 Frame (5-5/8" Dia.)
- 60 HZ only
- 40° C Ambient



STANDARD EFFICIENCY, REPLACES GE 3583, 84, 85, 86, 87, 88, 89, 90 (CAPACITOR NOT INCLUDED)

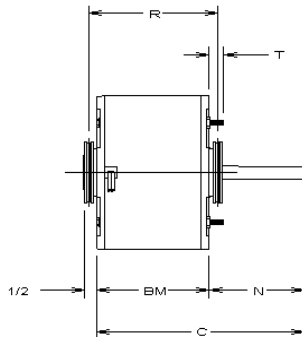
HP	RPM	Speeds	Volts	Amps		Stock Number	Capacitor	Dim. Ref.	Conn. Dia.	Notes
				Rated	Max.					
1/4	1075	3	115	3.5	4.6	DL1026	5/370V	1	51	
1/4	1075	3	208-230	1.8	2.2	D1026	5/370V	1	51	
1/3	1075	3	115	4.9	6.4	DL1036	7.5/370V	3	52	
1/3	1075	3	208-230	2.6	3.1	D1036	5/370V	2	52	
1/2	1075	3	115	6.5	9.0	DL1056	10/370V	6	52	
1/2	1075	3	208-230	3.2	4.3	D1056	7.5/370V	4	52	
3/4	1075	3	115	8.9	10.3	DL1076	15/370V	5	52	
3/4	1075	3	208-230	4.0	5.0	D1076	10/370V	5	52	

2 SPEED-STANDARD EFFICIENCY, REPLACES GE 3383, 84, 85, 86, 87, 88, 89, 90 (CAPACITOR NOT INCLUDED)

HP	RPM	Speeds	Volts	Amps		Stock Number	Capacitor	Dim. Ref.	Conn. Dia.	Notes
				Rated	Max.					
1/4	1075	2	115	3.5	4.6	DL001	5/370V	1	124	
1/4	1075	2	208-230	1.8	2.2	D0002	5/370V	1	123	
1/3	1075	2	115	4.9	6.4	DL003	7.5/370V	2	124	
1/3	1075	2	208-230	2.6	3.1	D0004	5/370V	2	124	
1/2	1075	2	115	6.5	9.0	DL005	10/370V	4	124	
1/2	1075	2	208-230	3.2	4.3	D0006	7.5/370V	4	124	
3/4	1075	2	115	8.9	10.3	DL007	15/370V	5	124	
3/4	1075	2	208-230	4.0	5.0	D0008	10/370V	5	124	



Adapter Kit
619432-174
for Fleximount



Approximate Dimensions

Ref.	BM	R	C	N	T
1	4-1/16	4-5/8	8-9/16	4-1/2	5/8
2	4-5/16	4-7/8	8-7/8	4-1/2	5/8
3	4-1/2	5	9	4-1/2	5/8
4	4-13/16	5-3/8	9-3/8	4-1/2	5/8
5	5-5/8	6-3/16	10-1/8	4-1/2	1-1/2
6	5	5-1/2	9-1/2	4-1/2	5/8