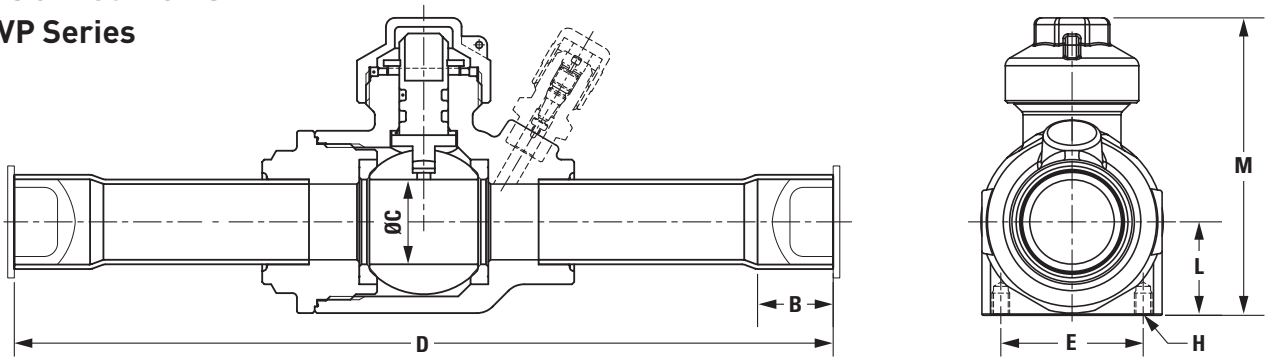


Specifications

EBVP Series



Standard (ODF x ODF) Inches

EBVP Series			Overall Length D	Socket Depth B	L	Overall Height M	Port Size C	Mounting Holes E	Mounting Hole Size H	Cv	Weight (lbs.)
Description	Part Number	Connection (ODF)									
EBVP-1020**	502053	1/4	6.50	0.31	0.63	2.14	0.50	0.79	#8-36 UNF	2.1	0.725
EBVP-1030	502054	3/8	6.50	0.31	0.63	2.14	0.50	0.79	#8-36 UNF	4.3	0.725
EBVP-1040	502055	1/2	6.50	0.38	0.63	2.14	0.50	0.79	#8-36 UNF	7.0	0.725
EBVP-1050	502056	5/8	6.50	0.50	0.63	2.14	0.50	0.79	#8-36 UNF	13.9	0.725
EBVP-1060	502057	3/4	7.25	0.63	0.83	2.63	0.75	1.26	#8-36 UNF	21.0	1.375
EBVP-1070	502058	7/8	7.25	0.75	0.83	2.63	0.75	1.27	#8-36 UNF	30.3	1.405
EBVP-1090	502059	1-1/8	8.50	0.91	1.00	2.98	1.00	1.57	#10-32 UNF	61.3	2.10
EBVP-1110	502060	1-3/8	9.25	0.97	1.22	3.70	1.25	1.89	#10-32 UNF	85.2	3.36
EBVP-1130	502061	1-5/8	10.00	1.09	1.53	4.29	1.50	2.36	1/4-28 UNF	212	5.39
EBVP-1170	502062	2-1/8	11.38	1.34	1.87	5.18	2.00	2.95	1/4-28 UNF	285	10.09
EBVP-1210	502064	2-5/8	14.37	1.47	2.36	6.06	2.50	2.95	1/4-28 UNF	301	19.25
EBVP-1250	502066	3-1/8	16.54	1.66	2.81	7.01	3.15	4.10	5/16-24 UNF	420	40.13
EBVP-2210*	502063	2-5/8	12.88	1.44	1.87	5.18	2.00	2.95	1/4-28 UNF	238	11.11
EBVP-2250*	502065	3-1/8	14.37	1.66	2.36	6.06	2.50	2.95	1/4-28 UNF	324	19.25
EBVP-2290*	502167	3-5/8	16.54	1.69	2.83	7.02	3.12	4.10	5/16-24 UNF	511	33
EBVP-2330*	502168	4-1/8	16.54	2.20	2.83	7.02	3.12	4.10	5/16-24 UNF	520	33.7

* Reduced port and not a stock item. Minimum order quantity may be required.

** EBVP-1020 is not a stock item. Minimum order quantity is required.

ZoomLock Compatible (ODM x ODM)

Inches

ZoomLock EBVP-PZK Series			Overall Length D	Socket Depth B	L	Overall Height M	Port Size C	Mounting Holes E	Mounting Hole Size H	Cv	Weight (lbs.)
Description	Part Number	Connection (ODM)									
EBVP-1023-PZK	502159	1/4	6.50	0.31	0.63	2.14	0.50	0.79	#8-36 UNF	2.1	0.725
EBVP-1033-PZK	502160	3/8	6.50	0.31	0.63	2.14	0.50	0.79	#8-36 UNF	4.3	0.725
EBVP-1043-PZK	502161	1/2	6.50	0.38	0.63	2.14	0.50	0.79	#8-36 UNF	7.0	0.725
EBVP-1053-PZK	502162	5/8	6.50	0.50	0.63	2.14	0.50	0.79	#8-36 UNF	13.9	0.725
EBVP-1063-PZK	502163	3/4	7.25	0.63	0.83	2.63	0.75	1.26	#8-36 UNF	21.0	1.375
EBVP-1073-PZK	502164	7/8	7.25	0.75	0.83	2.63	0.75	1.27	#8-36 UNF	30.3	1.405
EBVP-1093-PZK	502165	1-1/8	8.50	0.91	1.00	2.98	1.00	1.57	#10-32 UNF	61.3	2.10
EBVP-1113-PZK	502166	1-3/8	9.25	0.97	1.22	3.70	1.25	1.89	#10-32 UNF	85.2	3.36

Nomenclature - Example: EBVP-1030

Inches

EBV	P	-	1	03	0	PZK
Valve Type	Access Fitting		Series: 1 = Full Port 2 = Reduced port	Fitting Size: (Eighths of an inch) ie: 03 = 3/8"	Fitting Configuration: 0 = ODF x ODF 3 = ODM x ODM	ZoomLock Compatible

Replacement Stem Caps

Connection	Part Number
1/4 - 5/8	183390
3/4 - 1-1/8	183391
1-3/8 - 1-5/8	183392
2-1/8 - Larger	183393